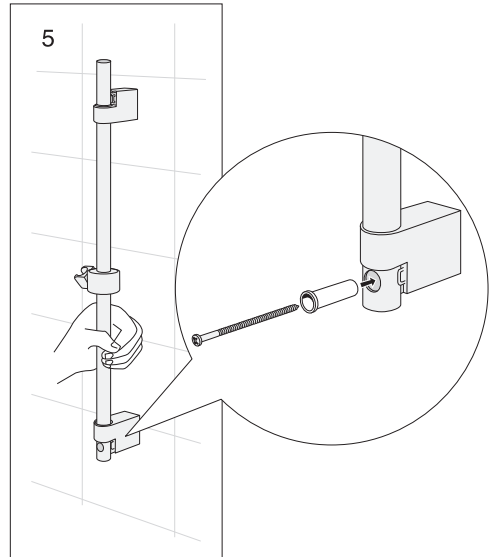
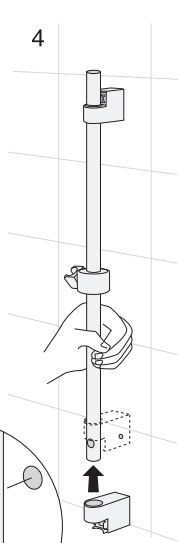
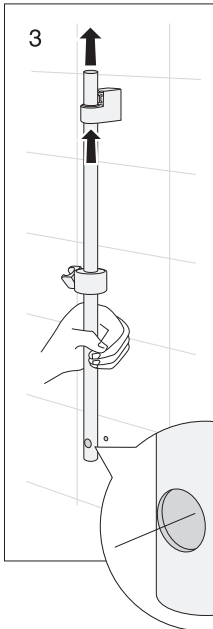
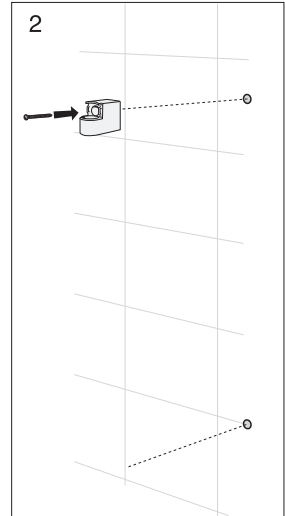
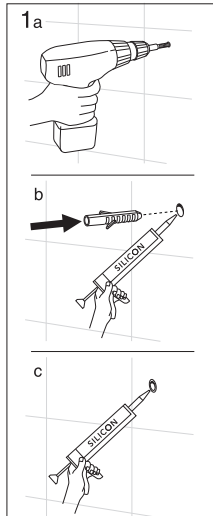
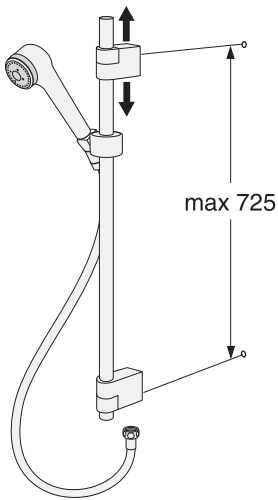
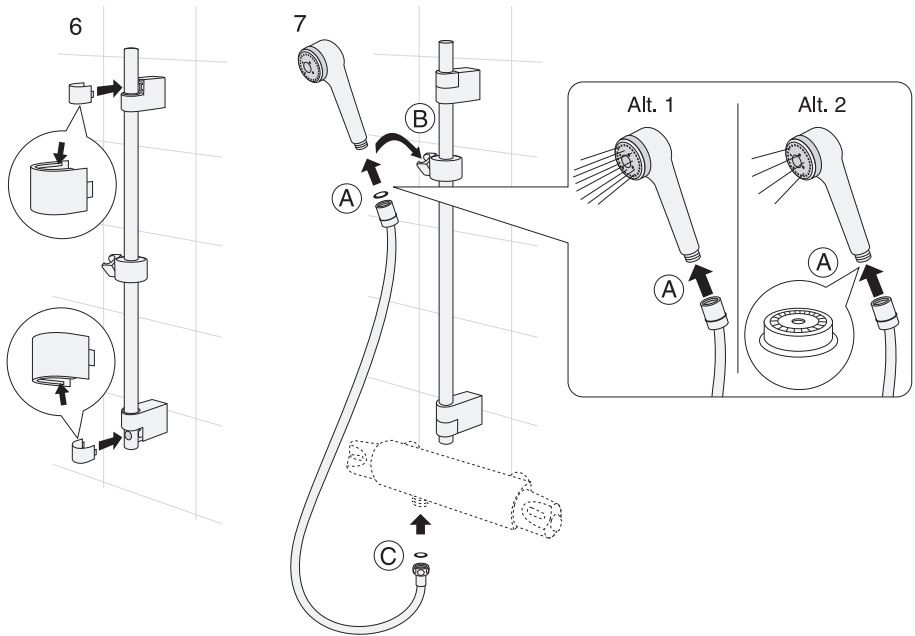


# Nautic II

## Installation Mounting





Use

