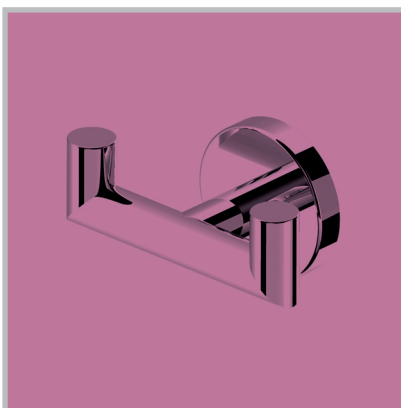
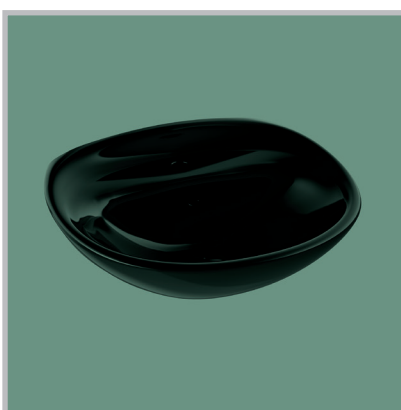




PRISLISTE GUSTAVSBERG 2021



SANITÆRPORSELEN, TILBEHØR, BADEROMSMØBLER, BADEKAR, DUSJ,
KRANER OG RESERVEDELER. VEILEDENDE PRISER



VILLEROY & BOCH NORGE AS

HOVEDKONTOR

Fakturaadresse: Postboks 13, 1471 Lørenskog
Besøksadresse: Luhrtoppen 2, 1470 Lørenskog
Tlf. 67 97 82 50
E-post: norway.info@villeroy-boch.com

ORDRE/BESTILLING

E-post: orders.norway@villeroy-boch.com

REKLAMASJON

E-post: reklamasjoner.no@villeroy-boch.com

FAKTURA

E-Post: invoices.nordics@villeroy-boch.com

KUNDESERVICE, ordre og support

Minka Sehic, tlf. 67 97 82 53, sehic.minka@villeroy-boch.com

Torbjørn Hansen, tlf. 67 97 82 66, torbjorn.hansen@villeroy-boch.com

TEKNISK SERVICE, reklamasjoner, reservedeler og support

Dagfinn Bråthen, teknisk ansvarlig, tlf.dir. 67 97 82 55, mobil 416 26 549, dagfinn.braathen@villeroy-boch.com

Marius Henriksen, prosjektkoordinator og teknisk support, tlf.dir. 67 97 82 56, mobil 977 30 002,
marius.henriksen@villeroy-boch.com

Torbjørn Hansen, teknisk support. tlf.dir. 67 97 82 66, mobil 468 19 951, torbjorn.hansen@villeroy-boch.com

SALG Gustavsberg og Villeroy & Boch

Oslo, Viken (Akershus, Østfold), Innlandet (Oppland, Hedemark)
Erik Hansen, mobil 958 25 335, erik.hansen@villeroy-boch.com

Innlandet (Oppland vest), Viken (Buskerud), Vestfold & Telemark og Agder
Anita Irene Hagh, mobil 468 79 790, anita.hagh@villeroy-boch.com

Vestland (Hordaland, Sogn og Fjordane), Møre og Romsdal, Nord Rogaland t.o.m Karmøy
Jan-Henrik Olsnes, mobil 908 13 474

Nord Øst Møre og Romsdal, Trøndelag, Nordland, Troms og Finnmark
Thor Johan Aar, mobil 979 70 001, thorjohan.aar@villeroy-boch.com

SALES SUPPORT, Stavanger og Oslo

Line Andersen, tlf. 67 97 82 63, mobil 932 03 387, line.andersen@villeroy-boch.com

ØKONOMI OG ADMINISTRASJON

Mai Randi Havnø, tlf.dir. 67 97 82 51, mobil 951 10 897, mairandi.havno@villeroy-boch.com

Bjørn Fredricson, Daglig leder

Mobil 909 15 171, bjorn.fredricson@villeroy-boch.com

MARKEDS SUPPORT

Suzi Andresen, tlf. 67 97 82 54, mobil 986 45 654, suzi.andresen@villeroy-boch.com

Indeks	2
Sanitærporselen	13
Gulvklosetter og Tilleggsutstyr toaletter	14
Veggmonterte toaletter og Veggskåler	15
Toalettseter	17
Barnetoalettsete	19
Care Basic	19
Triomont innbyggingssystemer og trykkplater for veggmonterte klosetter	20
Urinaler	21
Spyleknapper	22
Nordic ³ og Nautic servanter	24
Nautic søyler og Kompletterende servanter	25
Sykehus/HC-servanter	26
Tilbehør servant	27
Tilbehør	29
Baderomsmøbler	32
Nordic ³ og Nautic baderomsmøbler	33
Graphic Base baderomsmøbler	34
Graphic baderomsmøbler	36
Artic baderomsmøbler	39
Runde speil	42
Håndtak og Knotter til Artic og Graphic	44
Badekar	46
Badekar i emaljert stålplate med hel- eller halvfrontstativ	47
Frittstående badekar	50
Innbyggingsbadekar i emaljert stålplate	52
Tilvalg: Skandic blandebatteri montert på badekarkanten	54
Dusjvegger	55
Slagdører og dusjdører	55
Dusj- og badekarvegger	56
Kraner	57
Nordic ³ og Nordic Plus servantkraner	57
Nye Nautic servantkraner	58
Nye Nautic servantkran Care, Nye Nautic bidèkran og Atlantic servantkran	59
Epic servantkraner, Estetic servantkraner og Berøringsfrie servantkraner	60
Nautic dusjkran m/termostat	61
Atlantic dusjkran, Logic dusjkran og Estetic dusjkran m/termostat	62
Nautic termostatbatteri til badekar og Atlantic dusjkran m/termostat	63
Skandic blandebatteri montert på badekarkanten og Hånddusj med veggfeste	63
Nautic ettgrepskraner	64
Utløpstuter Bunnventiler Anslutningskoplinger Eksenterkoplinger Veggfester	65
Dusjsett	66
Faste dusjsett	67
Nordic ³ kjøkkenkran	69
Nye Nautic kjøkkenkran	70
Nye Nautic Care kjøkkenkran	71
Nordic Plus og Nordic Plus Spiraflex kjøkkenkraner	72
Atlantic kjøkkenkran	73
Epic kjøkkenkran	74
Utekran	75
Reservedeler	76
Reservedeler sanitærporselen	76
Reservedeler møbler og deler	112
Reservedeler badekar	124
Reservedeler Dusj	130
Reservedeler armatur	158

Alle priser er veiledende. Vi tar forbehold om endringer og eventuelle trykkfeil.



NRF. NR.	ART. NR.	SIDE	NRF. NR.	ART. NR.	SIDE	NRF. NR.	ART. NR.	SIDE
4143984	GB41218324 41	62	4340846	GB41206096	70	4342639	FG079805705	64, 65
4340325	GB41214081	60	4340847	GB412060960	70	4342641	GB41635944 01	65
4340328	GB41218051	60	4340848	GB412060560	70	4342643	GB41637164 02	65
4340342	GB41218051 41	60	4340849	GB41206056	70	4342651	GB41637453	189, 201
4340349	Gb41218251	60	4340851	GB412060950	71	4342653	GB41637445	58, 59, 65, 179, 189
4340353	Gb41218251 41	60	4340852	GB412060550	70	4342659	GB41637010 01	181, 203, 209, 215, 219, 221
4340371	GB41216045	58	4340941	GB41214004	64	4342661	GB41634828 01	165, 171, 177, 187, 189, 193, 201, 211, 215, 219, 221, 223
4340377	GB41215047	59	4340943	GB41214014	64	4342669	GB41635680 01	201, 221
4340378	GB41215047 0	59	4340944	GB41214024	64	4342673	GB41636448 01	223
4340379	GB41215147	59	4340945	GB41214023	64	4342675	GB41636437 01	221
4340398	GB41218251 53	60	4341008	GB41218004	63	4342676	GB41637337 01	221
4340399	GB41218051 53	60	4341882	GB41218330	68	4342683	GB41636920 01	223
4340407	GB41213451	57	4341932	GB41215304	61, 63	4342684	GB41636465 01	169, 175
4340408	GB41213461	57	4341935	GB41215324	61	4342685	GB41636460 01	169, 175
4340409	GB41213761	57	4341936	GB41215333	63	4342686	FG0640841	225
4340411	GB41213751	57	4341939	GB41215387	61	4342687	GB41636596 00	63, 229
4340412	GB41219951	60	4341941	GB41215604	61	4342688	GB41636597 44	229
4340413	GB41219951 24	60	4341942	GB41215624	61	4342691	GB41636599 00	229
4340414	GB41219951 53	60	4341944	GB41218335	68	4342692	GB41634078 01	175
4340426	GB41216051	58	4341948	GB41214904	62	4342712	GB41103216	69
4340427	GB41216051R	58	4341949	GB41214924	62	4342713	GB41637270 01	183, 189, 201
4340428	GB41216151	58	4341951	GB41215030	68	4342714	GB41638358 01	213
4340429	GB41216071	59	4341952	GB41632814 02	161, 175	4342715	GB41638361 02	213
4340431	GB41216251	58	4341957	GB41638336 01	161, 239	4342716	GB41638450	203, 209, 215, 219, 221
4340432	GB41216047	58	4341958	GB41632815	161, 175	4342717	GB41637387 01	159, 161, 165, 169, 171, 213, 239
4340433	GB412160470	58	4341959	GB41638339 01	159, 161, 165, 175	4342718	GB41637389 02	213
4340434	GB412160450	58	4341962	GB41634757 01	159, 161, 165, 171, 175, 177, 239	4342719	GB41637393	179, 181, 183, 203, 207, 209, 213, 223
4340683	GB41205086	73	4341963	GB41636577 01	159, 161, 165, 171, 175, 177, 239	4342721	GB41637406	213, 223
4340708	GB41205082	73	4341968	GB41218330 53	68	4342722	GB41637407	213, 223
4340711	GB41638521 01	211	4341969	GB41218335 53	68	4342723	GB41637410	169, 213
4340713	GB41634157 01	189, 211, 219, 221	4341975	GB41218304	62	4342724	GB41637415	213, 223
4340714	GB41637575	63, 179, 187, 189, 193, 201, 213, 227	4341977	GB41218304 41	62	4342725	GB41637416	169, 213
4340715	GB41632834	189, 215	4341982	GB41218324	62	4342726	GB41638334 01	159, 161, 165, 169, 239
4340716	GB41632633 01	189	4341985	GB41215330	68	4342731	GB41638375 01	215, 221
4340718	GB41638453 01	187, 189	4341986	GB41215335	68	4342732	GB41638374 01	215, 221
4340792	GB41203456	69	4341987	GB41215630	67	4342735	GB41637320	227
4340793	GB41203496	69	4341988	GB41215635	67	4342735	GB41637363 01	59, 215, 223
4340795	GB41205098 0	73	4341989	GB41218304 53	62	4342751	GB41637282 01	189, 197
4340801	GB41203756	72	4341991	GB41218324 53	62	4342752	GB41638202	189, 215
4340802	GB41203796	72	4341992	GB41638860 53	62	4342753	GB41637261 01	165, 171, 187, 189, 193, 211, 215, 219
4340803	GB41203758	72	4341993	GB41205058	73	4342754	GB41633972	159, 161, 165, 171, 189, 211, 215, 221
4340804	GB41203788	72	4341994	GB41205058 0	73	4342755	GB41633952 01	159, 161, 165, 171, 175, 177
4340805	GB41203782	72	4341995	GB41205098	73	4342756	GB41638726 01	229
4340819	GB41209956	74	4341996	GB41215004	62	4342757	GB41638725 01	229, 233
4340821	GB41209956 24	74	4341997	GB41215004 0	62	4342758	GB41636266 00	235
4340822	GB41209956 53	74	4341998	GB41215087 0	66	4342759	GB41638727 02	229
4340823	GB41209996	74	4341999	GB41103210 53	66	4342761	GB41638728 01	229
4340824	GB41209996 24	74	4342624	GB41630184	171	4342762	GB41637562	231
4340825	GB41209996 53	74	4342625	GB41633616	65, 159, 161, 165, 171, 175, 177	4342766	GB41638514 01	165, 193, 219, 223
4340826	GB41209959	74	4342626	GB41633624	65, 159, 161, 165, 171, 175, 177	4342767	GB41638549 01	193, 205, 211, 219
4340827	GB41209959 24	74	4342627	GB41637360 01	59, 66, 189, 215, 223	4342768	GB41638220 01	189, 193, 205, 211, 215, 219, 221
4340828	GB41209959 53	74	4342627	GB41637363 01	171	4342769	GB41638224 01	187, 189, 193, 201
4340829	GB41206058	70	4342632	GB41636424 01	65	4342771	GB41638199 01	189, 193, 215, 221
4340831	GB41206098	70	4342633	GB41637161 02	65, 187, 189, 193, 201, 211, 215, 219, 221	4342772	GB41636457 01	187, 193, 197, 199, 201
4340832	GB41206097	70	4342634	GB41637315	65, 175	4342773	GB41638560 01	197, 199
4340833	GB41206058R	70	4342635	GB41637804 01	66, 161, 175	4342775	GB41636629 01	185, 197, 199, 205, 207
4340835	GB41206097R	70	4342636	GB41637810 01	66, 161, 175			
4340836	GB41206095	71	4342637	GB41637840 02	66, 161, 175, 239			
4340837	GB41206095R	71	4342638	GB41637450	65, 183, 189, 201			
4340838	GB41206055	70						
4340839	GB41206055R	70						
4340843	GB41206098R	70						



NRF. NR.	ART. NR.	SIDE	NRF. NR.	ART. NR.	SIDE	NRF. NR.	ART. NR.	SIDE
4342776	GB41637326 0	203, 215, 221	4343096	GB41632698 02	159, 161, 165,	4343803	GB41636261 00	227
4342779	GB41638281 01	169			169, 175, 239	4343804	GB41636263 00	179, 187, 189, 193,
4342781	GB41638760	61, 68	4343102	FG0115061	65			201, 213, 215, 221
4342782	GB41638283 01	169	4343103	FG0115062	65	4343805	GB41636264 44	227
4342783	GB41638287 01	169	4343115	GB41631765 02	65	4343808	GB41636257 00	227
4342784	GB41639440	235, 237	4343121	GB41633860 33	179, 187, 189,	4343809	GB41636265 00	227
4342785	GB41638530 01	165			193, 201, 213, 215, 221	4343811	GB41636266 00	63, 227, 229, 231, 237
4342786	GB41638525 01	165	4343123	GB41634555 01	159, 161, 165,	4346741	GB41636447 01	201, 221
4342787	GB41638545 01	165			171, 175, 177, 239	4346745	GB41636920 01	201
4342788	GB41638542 01	165	4343124	GB41634799 0001	175, 177	5080015	FG0640857	75
4342798	GB41638860	62	4343126	GB41636326 01	177, 201, 221	5080086	FG032033420	215, 221
4342801	GB41638860 41	62	4343127	GB41636337 01	201, 223	5080093	FG032033520	189, 215, 221
4342802	GB41103230	67	4343142	GB41634621 01	223	5080123	FG032033520	213
4342803	GB41103235	67	4343144	GB41634680 01	223	6020007	GB1561479801	25
4342804	GB41639441	235	4343154	GB41635410 01	223	6020016	7G285301	25
4342806	GB41103215	66	4343161	GB41634650 01	223	6020017	7G286001	25
4342807	GB41103210	66	4343166	GB41634470 01	177, 201, 221	6020027	GB1573279801	26
4342808	GB41103350 15	67	4343175	GB41636440 01	221	6020043	GB1074010102	26
4342809	GB41639512	68	4343177	GB41633858	215	6020044	GB1074010101	26
4342811	GB41630151	65, 177	4343188	GB41635762 3301	189, 193,	6020064	GB1059020101	25
4342812	GB41639921 02	62, 68, 239			211, 215, 219, 221	6020069	GB1059056101	25
4342815	GB41630191	65, 177	4343189	GB41635790 01	65, 189, 203, 215, 221	6020092	GB157119630110	26
4342819	GB41630194	65, 177	4343196	GB41633877 01	177, 201, 221, 223	6020194	4G195501	26
4342868	GB41633614	65, 159, 161,	4343209	GB41633861 25	215, 221	6020195	4G196001	26
		165, 171, 175, 177	4343211	GB41633513 01	177, 201, 221	6020196	4G208001	26
4342877	GB41633632	65, 159, 161,	4343213	GB41633971 02	189, 211, 213, 215, 221	6020198	4G196101	26
		165, 171, 175, 177	4343216	GB41632731 02	177, 221	6020201	55409R01	24
4342878	GB41633633	65, 159, 161,	4343217	GB41636302 02	201	6020202	55409RR1	24
		165, 171, 175, 177	4343218	GB41632952	215	6020203	55409L01	24
4342879	GB41633631	65, 159, 161,	4343218	GB41632952 01	221	6020204	55409LR1	24
		165, 171, 175, 177	4343241	GB41630131 01	159, 161, 165, 171, 175,	6020207	55509901	24
4342896	GB41103250	66			177, 179, 189, 201, 213, 215, 221	6020208	555099R1	24
4342905	GB41636820	63, 65	4343242	GB41630129 01	171, 177, 181,	6020209	55509701	24
4342911	GB41634610	221			203, 209, 215, 221	6020211	555097R1	24
4342917	GB41635270	65	4343271	GB41633505 01	225	6020212	55509801	24
4342926	GB41637418	213	4343272	GB41633506 01	225	6020213	555098R1	24
4342933	GB41638464	231	4343273	FG0640548	225	6020216	55569901	24
4342934	GB41638465	231	4343275	FG0640782	225	6020217	555699R1	24
4342935	GB41638466	231	4343286	GB41633510 01	225	6020218	55569701	24
4342936	GB41638467	231	4343314	GB41634035 01	159, 161, 175	6020219	555697R1	24
4342937	GB41638468	231	4343319	GB41637280 01	189, 201, 213	6020221	55569801	24
4342941	GB41638472	231	4343335	GB41634210	65, 171, 175, 177	6020222	555698R1	24
4342942	GB41638457	65	4343336	GB41634719 01	225	6020223	55569M01	24
4342954	FG0105060	75	4343337	GB41632863 01	201	6020225	55609901	24
4342955	FG0105070	75	4343341	GB43000014 10	187, 189, 193, 197, 199,	6020226	556099R1	24
4342956	FG0105061	75			201, 211, 213, 215, 219, 221	6020227	55609701	24
4342969	FG0640560	225	4343344	GB41632625 01	189, 201	6020228	556097R1	24
4342975	GB41630197	65, 177	4343347	GB41636617 01	177, 201, 221, 223	6020229	55609801	24
4342977	GB41630196	65, 177	4343348	GB41635617 01	223	6020231	556098R1	24
4342991	GB41635430 01	177, 201, 221, 223	4343353	GB41636246 01	221	6020232	55609M01	24
4342994	GB41103017 23	66	4343358	GB41636654 01	201, 223	6020233	55609MR1	24
4343054	GB41636575 01	31, 58, 59,	4343359	GB41636912 01	201	6020278	GB41636575 25	60
		60, 65, 179, 189	4343362	GB41636359 01	159, 161, 165,	6020279	GB41636575 23	60
4343055	GB41630305	65, 183, 189			171, 175, 177, 239	6020281	GB41636575 41	60
4343059	GB41635678 8701	177, 201, 221, 223	4343363	GB41634756 01	159, 161, 165,	6020282	4G01A501	36
4343061	GB41636479 01	175			171, 177, 239	6020283	4G00A501	39
4343062	GB41636480 01	175	4343366	GB41637250	66, 171, 189, 215, 223	6020284	4G00A401	39
4343065	GB41635633 02	159, 161, 165,	4343367	GB41637267 01	165, 171, 187, 189, 193,	6020285	4G00C501	40
		169, 175, 239			211, 215, 219, 223	6020286	4G014501	36
4343071	FG0115080	65	4343368	GB41637347	159, 161, 165, 171, 175, 239	6020287	4G016001	36
4343076	FG0115050	65	4343369	GB43000021 01	189, 193, 197, 201,	6020288	4G006001	39
4343084	FG0640835	225			213, 215, 219, 221	6020289	4G018001	36
4343085	FG0640836	225	4343801	GB41636254 00	227	6020291	4G008001	39
4343088	FG0105062	75	4343802	GB41636255 00	227	6021127	GB1129300100	25



NRF. NR.	ART. NR.	SIDE	NRF. NR.	ART. NR.	SIDE	NRF. NR.	ART. NR.	SIDE
6021222	41005001	24	6025412	GB1919901702	18, 89	6025652	GB1921102061	22
6021223	41005501	24	6025414	GB1919901950	18, 89	6025653	GB1921102066	22
6021912	GB1922100802	113	6025415	GB1919901900	18, 99	6025654	GB1921102067	22
6021913	87070000	25	6025419	GB1919901601	18, 95	6025655	GB1921102080	23
6022298	GB1115002R1331G	13	6025425	9M246101	17, 77, 81	6025656	GB1921102081	23
6022301	GB111510201304	13	6025426	9M256101	17, 77, 81	6025657	GB1921102085	23
6022302	GB111510401205	13	6025427	9M26S101	17, 77, 81	6025658	GB1921102086	23
6022307	GB1115102R1304	13	6025428	9M26S136	17, 77, 81	6025659	GB1921102092	23
6022308	GB111591201203	13	6025429	GB88306001	19	6025661	GB1921102100	27
6022309	GB1183002RW231	13	6025431	GB88306004	19	6025663	GB8830701001	14
6022311	GB1183002RW231G	13	6025432	GB88306015	19	6025664	GB8830709101	14
6022909	GB113500301203	14	6025434	GB88306036	19	6025665	GB1921100390	107
6022926	GB113510301203	14	6025445	9M38S101	17	6025666	GB1921100391	107
6022943	GB111500201304	13	6025456	9M646101	17, 83, 85	6025667	GB1921100392	107
6022944	GB1115002R1304	13	6025459	9M10S101	17	6025668	GB1921100393	107
6022977	GB1183002R1231G	13	6025461	9M10S136	17	6025669	GB19299NV036	14, 15, 81
6022979	GB1183002S0231G	13	6025463	9M106101	17	6025671	GB1911101291	87
6022981	GB1183002R1231	13	6025464	9M09S101	17	6025674	GB1921102028	105
6022983	GB1183002R1221	13	6025465	9M09S136	17	6025675	GB1929900503	15, 77, 79, 81, 83, 87, 91
6022997	5G84R001	15	6025466	9M09S1S3	17	6025677	92207401	81, 87, 91, 93
6022998	5G84HR01	15	6025467	9M096101	17	6025677	92227401	77
6023007	GB19211000510	15	6025469	9M676101	17	6025682	GB1043390101	89
6023008	GB1921100398	105, 107	6025471	8780S101	17, 85	6025684	GB1919901839	87
6023009	GB19299NNV36	77	6025475	8780S801	17, 85	6025686	GB1929901545	89, 95
6023011	GB115500301203	14	6025476	8780G801	17, 85	6025689	92242500	77, 81
6023013	GB115500301203G	14	6025477	9M648101	17, 85	6025701	GB1927634600	87
6023034	GB115530001000	16	6025507	GB1919902055	18, 87	6025704	GB1927569710	87
6023035	GB1155300R1000	16	6025508	9M16S101	18, 91	6025705	GB88305100	19
6023036	GB1115222R1203	15	6025509	9M16S136	18, 91	6025727	GB1921101191	109
6023037	GB111522201203	15	6025511	9M11S101	17	6025728	GB1921101188	109
6023038	GB111522401205	15	6025513	GB1919901610	18	6025729	GB1921101178	109
6023039	GB111546201203	13	6025514	GB1919901960	18	6025737	GB1921102010	109
6023041	GB1115462R1203	13	6025517	9M016101	17, 93	6025738	GB1921102011	109
6023042	GB111546401205	13	6025557	GB1929900344	95	6025739	GB1921102012	109
6023043	GB111500201303G	13	6025602	GB19299P0101	81	6025741	GB1921102013	109
6023045	GB111546201304	13	6025603	GB19299P0102	81	6025744	GB1921102016	109
6023046	GB111522201304	15	6025604	GB19299P0103	81	6025746	GB19299P0109	81
6023047	GB1115222R1304	15	6025605	GB19299P0105	81	6025747	GB19299P0111	81
6023179	GB1183300RW030	15	6025606	GB19299P0106	81	6025748	GB19299P0108	81
6023603	GB182350001200	87	6025611	GB88305101	19	6025749	GB19299P0110	81
6023612	7G061001	16	6025614	GB19299P0112	81	6025752	GB1921100111	105, 107, 109
6023613	GB113530001000	16	6025615	GB19299P0113	81	6025756	GB1042980101	89
6023617	4G01R001	16	6025616	GB19299P0114	81	6025758	GB88306000	81
6023618	4G95R001	16	6025617	GB19299P0116	81	6025759	GB88306051	87
6023641	GB185500001200	81	6025619	GB185580001200	77, 81	6025793	GB19299N2937	89
6023652	GB1183300R1030	15	6025622	92226100	77, 79, 81	6025798	GB19299KT959	87
6023654	GB1183300S0030	15	6025624	92226461	77	6025803	GB1921100095	109
6023682	GB113630001000	15	6025626	GB1921100394	20, 21, 105, 107	6025807	GB19299T1956	87, 89, 95
6023683	GB113635001000	15	6025627	GB1921100395	107	6025808	GB19299T1951	87, 89, 95
6024305	GB1921102026	20	6025628	GB88301801	20	6025812	GB19299TK962	81, 87, 91, 93, 95
6024327	GB1042060101	97	6025631	GB1919901845	87, 93	6025813	GB19299TK960	87, 91, 93, 95
6024339	GB1042640101	95	6025633	GB1929900365	77, 83, 87	6025815	GB19299K1956	87
6024346	GB1042900101	89	6025634	GB1929900168	87, 93	6025816	GB19299K1951	87
6024962	GB19299K1931	87	6025636	GB88305500	19	6025823	GB1921102055	22
6024964	GB19299T2800	95	6025637	GB88305501	19	6025831	GB19299TK961	87, 91, 93, 95
6024965	8193B901	93	6025638	GB1921100396	107	6025833	GB1929903410	77, 81, 87, 93
6024976	GB1929900338	95	6025639	GB1921100397	107	6025839	GB19299U1931	89
6025351	GB1921101171	109	6025641	GB1921102021	20	6025842	GB1923100802	89, 113
6025404	9M11S136	17	6025642	GB1921102022	21	6025845	GB1929900347	89, 95, 99
6025405	GB1919902065	18, 87	6025643	GB1921102024	21	6025846	GB1929900356	95
6025406	GB1919900910	19, 97	6025647	GB1921102052	22	6025847	GB1929900381	81, 91, 95
6025407	GB1919901286	19, 97	6025648	GB1921102053	22	6025848	GB1929901244	99
6025408	GB1929900227	18	6025649	GB1921102054	22	6025851	GB1919901832	95
6025411	GB1929900226	18, 99	6025651	GB1921102060	22	6025856	GB1921100081	109



NRF. NR.	ART. NR.	SIDE	NRF. NR.	ART. NR.	SIDE	NRF. NR.	ART. NR.	SIDE
6025857	GB1921100082	109	6025994	9GN01000	77, 79	6030233	GB2110160100	50
6025858	GB1921100083	109	6025995	9GN000400	77, 79	6030246	GB2083400100	52
6025861	GB1921100094	109	6025996	GB19299N0100	77, 79	6030247	GB2083500100	52
6025862	GB1921100098	109	6026031	92241361	77, 81	6030248	GB2083600100	52
6025863	GB1921100099	109	6026032	92241461	77, 81	6030249	GB2083970100	52
6025865	GB1921100122	109	6026033	92242001	81	6030251	GB2081220100	53
6025871	GB1921100110	109	6026034	92242400	81, 91, 93	6030252	GB2081380100	53
6025873	GB1921100114	109	6026035	9GS01561	85, 89, 91	6030253	GB2083410100	53
6025874	GB1921100115	109	6026036	9GS01600	85, 89, 91	6030254	GB2083411100	53
6025877	GB1921100118	109	6026037	GB19299N2953	87, 91, 93, 95	6030255	GB2086830100	53
6025882	GB19299T2951	87, 91, 93, 95	6026038	9GS01400	83, 85, 87, 89, 91, 93, 95, 99	6030256	GB2086831100	54
6025883	GB19299T2952	87				6030257	GB2082570100	54
6025896	GB1929901974	87, 89, 97, 99	6026201	GB1929900211	101	6030258	GB2082580100	54
6025901	GB1929900500	91	6026212	GB1929900260	89, 95, 99, 101	6030259	GB208B231500	52, 53, 54
6025902	GB1929900502	91, 93	6026213	GB1929900260	97	6030264	GB2063680101	51
6025903	GB1929900503	93	6026221	GB1929900291	101	6030265	GB41217143	54, 63
6025904	GB1929900504	91	6026244	GB1929900228	103	6030266	GB41638390	54, 63
6025905	GB1929900505	91	6026247	GB1929900229	103	6030267	U90600361	54, 63
6025906	GB184200001200	91	6026262	GB1929900233	103	6030273	GB2063160101	50
6025908	GB184310001200	91	6026266	GB1929900058	99	6030276	GB2063160001	50
6025917	GB1843100R1200	91	6026282	GB1929900330	103	6030277	GB2063680001	51
6025922	GB1929900332	101	6026366	GB1929900208	99	6030461	GB2063685601	51
6025923	GB1929900239	97, 101	6026373	GB1929900209	89, 95, 99	6030462	GB2063165601	50
6025924	GB1929900506	93	6026389	GB1929900324	89	6030552	GB2929970004	125
6025926	GB1921102020	20	6026411	GB1929900236	97, 101	6030553	GB2929900174	125
6025927	GB1921102027	20, 21	6026414	GB1929900237	97, 101	6031715	GB2929900228	125
6025928	GB1921102029	20, 21	6026421	GB1929900238	97, 101	6031722	GB2924300155	52, 53, 54, 125
6025929	GB1921102030	22	6026511	GB1929901453	97	6031723	GB2924300156	52, 53, 54, 125
6025932	GB1921102032	22	6026518	GB1919901830	99	6031735	GB2929970001	125
6025933	GB1921102035	22	6026519	GB1919901831	89	6031736	GB2929970002	125
6025934	GB1921102036	22	6026525	GB1929900217	97, 99, 101	6031737	GB2929970003	127
6025935	GB1921102037	22	6026527	GB1929900319	87, 89, 93	6031738	GB2116040100	48
6025939	GB1921102045	22	6026541	GB1929900216	99, 101	6031739	GB2115740100	48
6025942	GB1921102047	22	6026543	GB1929900315	99	6031741	GB2115040100	47
6025943	GB1921100370	105, 107	6026545	GB1929900316	97	6031742	GB2174100100	49
6025944	GB1921100371	105, 107	6026555	GB1929900320	87, 89, 93	6031743	GB2174130100	47
6025945	GB1921100372	105, 107, 109	6026581	GB1929900282	89, 95, 99	6031744	GB2174140100	47
6025946	GB1921100373	105, 107, 109	6026591	GB1929900283	89	6031745	GB2174150100	47
6025947	GB1921100375	105, 107	6026592	GB1929900361	89	6031746	GB2174160100	48, 49
6025949	GB1921100377	105	6026755	GB88170401	27	6031747	GB2174165600	48, 49
6025951	GB1921100378	105	6026758	GB88170701	27	6031748	GB2174170100	49
6025952	GB1921100379	105	6026759	GB88170801	27	6031749	GB2164130100	47
6025953	GB1921100380	105, 107, 109	6026763	GB88171101	20	6031751	GB2164140100	47
6025954	GB1921100381	105, 107, 109	6026764	GB88171201	20	6031752	GB2164150100	47
6025955	GB1921100382	105, 107, 109	6026765	GB88171301	20	6031753	GB2164160100	48, 49
6025956	GB1921100383	105, 107	6026766	GB88171401	20	6031842	GB2921200358	50, 51
6025957	GB1921100384	105, 107	6026767	GB88171501	20	6031843	GB2921200359	50, 51
6025958	GB1921100385	105, 109	6026769	GB88171701	20	6031844	GB2921200353	50, 51
6025959	GB1921100386	105, 107, 109	6028621	93260000	21	6031865	GB2929900115	125, 129
6025961	GB1921100387	105	6028622	93270000	21	6031868	GB2929900117	129
6025968	GB881712101	20	6030004	7G500001	21	6031909	GB2929900120	129
6025969	GB1921102070	22	6030005	7G510001	21	6031935	GB2929900172	125, 127
6025971	GB1921102071	22	6030037	99320000	21	6092501	GB182200001200	87
6025974	GB1921102056	22	6030038	99330000	21	6096502	8780G101	17, 83, 85
6025975	GB1921102057	22	6030129	GB2929900175	125, 129	6096503	GB1919902002	18, 87
6025976	GB1921102058	22	6030157	GB2929900110	125	6096504	GB1919902070	18, 87
6025977	GB1921102082	23	6030201	GB2110510100	49	6096505	GB1919901211	18
6025978	GB1921102083	23	6030203	GB2113000100	47	6301501	GB51SRDR80CR	55
6025983	9GN00100	77, 79	6030204	GB2114000100	47	6301502	GB51SRDR90CR	55
6025984	9GN00200	77, 79	6030215	GB2116030100	48	6301503	GB51SRDR10CR	55
6025985	9GN00300	77, 79	6030217	GB2117000100	49	6301504	GB51RNDR80CR	55
6025986	9GN00561	77	6030221	GB2116070100	49	6301505	GB51RNDR90CR	55
6025987	9GN01161	77	6030222	GB2117070100	49	6301506	GB51RNDR10CR	55
6025988	9GN00661	77	6030232	GB2115710100	50	6301507	GB51SRBD70CR	56



NRF. NR.	ART. NR.	SIDE	NRF. NR.	ART. NR.	SIDE	NRF. NR.	ART. NR.	SIDE
6301508	GB51SRBD80CR	56	7031593	GB71GCCL50	35, 38	7031715	GB71GCSC6016GN	37
6301509	GB51SRWL80CR	56	7031594	GB71GCDR60	36	7031716	GB7199H8BR160	44
6301511	GB51SRWL90CR	56	7031596	GB71GCSC6016DH	37	7031718	GB71GCMC10GN	38
6301512	GB51SRWL10CR	56	7031597	GB71GCSC6016GR	37	7031719	GB7199K8WM000	45
6301513	GB51ACCPROF	55	7031599	GB71GCSC6032DH	37	7031721	GB7199K3NCR00	45
6301514	GB51SRWL80HBL	56	7031601	GB71GCSC6032GR	37	7031723	GB71GCMC60GN	38
6301515	GB51SRWL90HBL	56	7031603	GB71GCTP6016DH	37	7031724	GB7199K7BR000	45
6301516	GB51SRWL10HBL	56	7031604	GB71GCTP6016GR	37	7031725	GB7199K3BCR00	45
6301517	GB51SRWL12HBL	56	7031605	GB71GCTP6032DH	37	7031727	GB71GCMC45GN	38
6301518	GB51SRWL14HBL	56	7031606	GB71GCTP6032GR	37	7031728	GB7199K7CR000	45
6301637	UDWDOORKNOBW-61	141, 143, 145, 147, 149, 151, 153, 155	7031609	GB714860DH00	39	7031729	GB7199K9BL000	45
6301663	GB51ACCEXT	55	7031613	GB71GCDR80	36	7031732	GB71GCMC80GN	38
6301664	GB51ACCWLMAG	56	7031615	GB714880BL00	39	7031733	GB7199K7BL000	45
6301993	GB41634002	65	7031616	GB714880DH00	39	7031734	GB7199K3BBR00	45
7031019	GB8128000100	113	7031617	GB71GCDR10	36	7031736	GB71GCVU80GN00	36
7031022	GB8118000002	113	7031619	GB71488812BO	40	7031737	GB71GCTP6032GR	37
7031025	GB711800220	34, 38	7031621	GB71488812DH	40	7031738	GB7199H8BB160	44
7031035	GB8148300001	113	7031622	GB7148801200U	41	7031741	GB71GCVU60GN00	36
7031037	GB41103705	29	7031623	GB7148801200	41	7031742	GB71GCTP1216GN	37
7031049	GB41639746 01	29, 30	7031624	GB714870DH00	40	7031743	GB7199H8BN160	44
7031371	GB7199K5BR000	45	7031625	GB71GCMC45DH	38	7031745	GB71GCVU10GN00	36
7031515	GB71488860BO	40	7031626	GB71GCMC60DH	38	7031746	GB71GCTP1232GN	37
7031517	GB71488860DH	40	7031627	GB71488880BO	40	7031747	GB7199K9BR000	45
7031522	GB71488810BO	40	7031628	GB71488880DH	40	7031748	GB71GCMR10	42
7031524	GB71488810DH	40	7031629	GB71GCMC80DH	38	7031749	GB71GCVU45GN00	36
7031531	GB71B03300E4	33	7031631	GB7148808000U	41	7031751	GB71GCTP6016GN	37
7031532	GB71B03300E9	33	7031632	GB7148808000	41	7031752	GB7199H8CB160	44
7031533	GB71A47900E4	33	7031633	GB71GCMC10DH	38	7031753	GB7148804601	42
7031534	GB71A47900E9	33	7031634	GB714870WF00	40	7031758	GB41636575 24	31
7031535	GB71B032E4WB	33	7031635	GB71GCVU45DH00	36	7031759	GB41636575 53	31
7031536	GB71B032E9WB	33	7031636	GB71GCVU45GR00	36	7031761	GB41103701	29
7031537	GB71B032E4WBN	33	7031637	GB71GCVU60DH00	36	7031762	GB41103704	29
7031538	GB7148806000	41	7031638	GB71GCVU60GR00	36	7031763	GB41103707	29
7031539	GB7148806000U	41	7031639	GB714860WF00	39	7031764	GB41103710	29
7031547	GB714810BL00	39	7031641	GB71GCVU80DH00	36	7031765	GB41103901	30
7031548	GB714810DH00	39	7031642	GB71GCVU80GR00	36	7031766	GB41103904	30
7031549	GB7199H1CR096	44	7031643	GB71GCVU10DH00	36	7031767	GB41103907	30
7031552	GB71GCTP1216DH	37	7031644	GB71GCVU10GR00	36	7031768	GB41103910	30
7031553	GB71GCTP1216GR	37	7031671	GB714880WF00	39	7031769	GB41103901 53	30
7031554	GB71GCTP1232DH	37	7031674	GB714810WF00	39	7031771	GB41103904 53	30
7031555	GB71GCTP1232GR	37	7031678	GB714860BL00	39	7031772	GB41103907 53	30
7031558	GB7199H4CR128	44	7031683	GB71GCMC10GR	38	7031773	GB41103910 53	30
7031559	GB7199H4BL128	44	7031684	GB71GCMC80GR	38	7031774	GB41103901 24	30
7031561	GB7199H4CR160	44	7031685	GB71GCMC60GR	38	7031775	GB41103904 24	30
7031562	GB7199H4BL160	44	7031686	GB71GCMC45GR	38	7031776	GB41103907 24	30
7031564	GB7199H2CW096	44	7031687	GB714810AG00	39	7031777	GB41103910 24	30
7031565	GB7199H2CW128	44	7031689	GB714860AG00	39	7031778	GB41109938	31
7031566	GB7199H5WH128	44	7031691	GB714880AG00	39	7031779	GB41109938 53	31
7031568	GB7199H4CR224	44	7031693	GB714812AG0L	40	7031781	GB41109938 24	31
7031569	GB7199H4BL224	44	7031694	GB714812AG0R	40	7031782	GB41109939	31
7031572	GB7199K5CU000	45	7031695	GB714812WF0L	40	7031783	GB41109939 53	31
7031573	GB7199K2CR000	45	7031696	GB714812WF0R	40	7031784	GB41109939 24	31
7031574	GB7199K6BL000	45	7031697	GB714812BL0L	40	7031788	GB71GBMC45AG00	35
7031575	GB7199K6WH000	45	7031698	GB714812BL0R	40	7031789	GB71GBMC60AG00	35
7031577	GB71GCTC16DH	38	7031699	GB714812DH0L	40	7031791	GB71GBMC80AG00	35
7031578	GB71GCTC16GR	38	7031701	GB714812DH0R	40	7031792	GB71GBTC30AG	35
7031581	GB71GCTC32DH	38	7031703	GB71GCTC32GN	38	7031793	GB71GBLB30	35
7031582	GB71GCTC32GR	38	7031704	GB7199H8CR160	44	7031794	GB71GBVU45AGWB	34
7031584	GB71GCCL30	35, 38	7031706	GB71GCTC16GN	38	7031795	GB71GBVU60AGWB	34
7031585	GB7199K1PB000	45	7031707	GB7199K8GM000	45	7031796	GB71GBVU80AGWB	34
7031586	GB714870BO00	40	7031708	GB71GCMR80	42	50800093	FG032033520	193
7031587	GB71GCDR45	36	7031711	GB71GCSC6032GN	37			
7031591	GB7199H5WH032	44	7031712	GB7199H8BL160	44			
			7031713	GB71GCMR60	42			

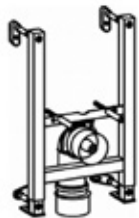
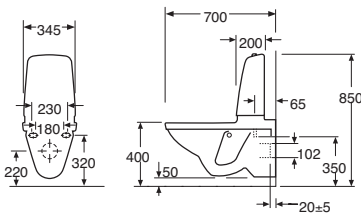
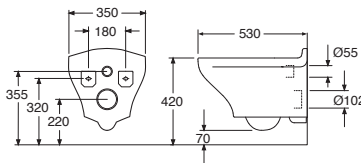
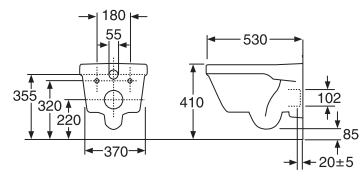
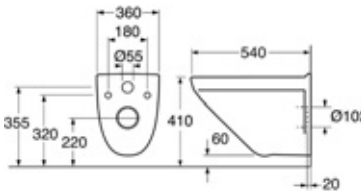
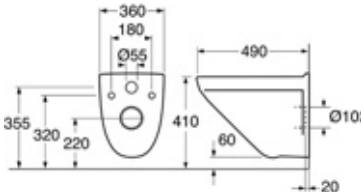
ART. NR.	NRF. NR.	SIDE	ART. NR.	NRF. NR.	SIDE	ART. NR.	NRF. NR.	SIDE
GB71GCCL50	7031593	35, 38	GB8148000030		117	GB83300R1000		79
GB71GCDR10	7031617	36	GB8148000031		117	GB88170401	6026755	27
GB71GCDR45	7031587	36	GB8148000032		117	GB88170701	6026758	27
GB71GCDR60	7031594	36	GB8148000033		117	GB88170801	6026759	27
GB71GCDR80	7031613	36	GB8148000034		117	GB88171101	6026763	20
GB71GCMC10DH	7031633	38	GB8148000035		117	GB88171201	6026764	20
GB71GCMC10GN	7031718	38	GB8148000036		117	GB881712101	6025968	20
GB71GCMC10GR	7031683	38	GB8148000037		117	GB88171301	6026765	20
GB71GCMC45DH	7031625	38	GB8148000038		117	GB88171401	6026766	20
GB71GCMC45GN	7031727	38	GB8148000039		117	GB88171501	6026767	20
GB71GCMC45GR	7031686	38	GB8148000040		117	GB88171701	6026769	20
GB71GCMC60DH	7031626	38	GB8148000041		117	GB88301801	6025628	20
GB71GCMC60GN	7031723	38	GB8148000042		117	GB88305100	6025705	19
GB71GCMC60GR	7031685	38	GB8148000043		121	GB88305101	6025611	19
GB71GCMC80DH	7031629	38	GB8148000044		121	GB88305500	6025636	19
GB71GCMC80GN	7031732	38	GB8148000053		123	GB88305501	6025637	19
GB71GCMC80GR	7031684	38	GB8148000054		123	GB88306000	6025758	81
GB71GCMR10	7031748	42	GB8148000055		115	GB88306001	6025429	19
GB71GCMR60	7031713	42	GB8148000056		115	GB88306004	6025431	19
GB71GCMR80	7031708	42	GB8148000057		115	GB88306015	6025432	19
GB71GCSC6016DH	7031596	37	GB8148000058		115	GB88306036	6025434	19
GB71GCSC6016GN	7031715	37	GB8148000059		115	GB88306051	6025759	87
GB71GCSC6016GR	7031597	37	GB8148000060		115	GB8830701001	6025663	14
GB71GCSC6032DH	7031599	37	GB8148000061		115	GB8830709101	6025664	14
GB71GCSC6032GN	7031711	37	GB8148000062		115	U90600361	6030267	54, 63
GB71GCSC6032GR	7031601	37	GB8148000063		115	U90880261		151, 153, 155
GB71GCTC16DH	7031577	38	GB8148000064		115	UCTAP0259		151, 153
GB71GCTC16GN	7031706	38	GB8148000065		115	UDWDOORKNOB2W-61		157
GB71GCTC16GR	7031578	38	GB8148000066		115	UDWDOORKNOBW-61	6301637	141, 143, 145, 147, 149, 151, 153, 155
GB71GCTC32DH	7031581	38	GB8148000067		115	UPGUALPALCV		149
GB71GCTC32GN	7031703	38	GB8148000068		115	UPGUALPD		147
GB71GCTC32GR	7031582	38	GB8148000070		115	UPGUALPQ		145
GB71GCTP1216DH	7031552	37	GB8148000071		115	UPGUBP90-01		153
GB71GCTP1216GN	7031742	37	GB8148000072		115	UPGUBP90-61		153
GB71GCTP1216GR	7031553	37	GB8148000073		115	UPGUCCT-01		143
GB71GCTP1232DH	7031554	37	GB8148000074		115	UPGUCCT-61		143
GB71GCTP1232GN	7031746	37	GB8148000075		115	UPGUCURSP		151, 155
GB71GCTP1232GR	7031555	37	GB8148000076		115	UPGUDS249		157
GB71GCTP6016DH	7031603	37	GB8148000077		115	UPGUED01020	141, 145, 151, 153, 155	
GB71GCTP6016GN	7031751	37	GB8148000078		115	UPGUED01024		143, 147
GB71GCTP6016GR	7031604	37	GB8148000079		119	UPGUED02063D-01		141, 143
GB71GCTP6032DH	7031605	37	GB8148000098		121	UPGUED02099		147
GB71GCTP6032GR	7031606	37	GB8148000099		117	UPGUED03030		141, 143, 153
GB71GCVU10DH00	7031643	36	GB8148000100		117	UPGUFY-011		145, 147, 149
GB71GCVU10GN00	7031745	36	GB8148000101		117	UPGUFY002-01		141, 143
GB71GCVU10GR00	7031644	36	GB8148000102		117	UPGUFY002-61		141, 143
GB71GCVU45DH00	7031635	36	GB8148000103		121	UPGUINSKALC		149
GB71GCVU45GN00	7031749	36	GB8148000104		121	UPGUINSKBW-01		151, 153
GB71GCVU45GR00	7031636	36	GB8148000108		121	UPGUINSKBW-61		151, 153
GB71GCVU60DH00	7031637	36	GB8148000109		121	UPGUINSKCU-01		151, 155
GB71GCVU60GN00	7031741	36	GB8148000110		121	UPGUINSKCU-61		151, 155
GB71GCVU60GR00	7031638	36	GB8148000111		121	UPGUINSKGD-01		143
GB71GCVU80DH00	7031641	36	GB8148000112		121, 123	UPGUINSKGD-61		143
GB71GCVU80GN00	7031736	36	GB8148000113		119	UPGUINSKGD-Q1		141
GB71GCVU80GR00	7031642	36	GB8148000114		123	UPGUINSKGD-61		141
GB8118000002	7031022	113	GB8148000115		123	UPGUINSKJD-61		145, 147
GB8128000100	7031019	113	GB8148000116		123	UPGUINSKLO-01		153
GB8148000001		117	GB8148000117		119	UPGUINSKLO-61		153
GB8148000002		115	GB8148000118		119	UPGUINWF7201		157
GB8148000003	115, 117, 119, 121, 123		GB8148000119		119	UPGUMAGSP		149
GB8148000004		117, 121, 123	GB8148000120		119	UPGUPCC80-01		155
GB8148000005		119, 121	GB8148000121		119	UPGUPCC90-01		151
GB8148000006		115, 117	GB8148000122		119	UPGUPCC90-61		151, 155
GB8148000008		115, 123	GB8148000123		117	UPGURSPG-6		141, 153
GB8148000011		117	GB8148000124		117	UPGURSPG-8		143
GB8148000012		117	GB8148000125		117	UPGUSWD-6		145
GB8148000013		117	GB8148000126		117	UPGUSWD-8		147, 149
GB8148000014		121	GB8148000127		117	UPGUSWD-8-L		145, 149
GB8148000019		117	GB8148000128		117	UPGUTFQ		153
GB8148000020		117	GB8148000129		117	UPGUTFS		151, 155
GB8148000021		117	GB8148000130		117	UPGUTHJ		145, 147, 149
GB8148000022		117	GB8148000131		121	UPGUTHWF7201		157
GB8148000023		117	GB8148000132		121	UPGUWDWF7201		157
GB8148000024		117	GB8148000133		121	UPGUWH-6-61/2		141, 143, 151, 153, 155
GB8148000025		117	GB8148000134		123	UPGUWH-8-61/2		143
GB8148000026		117	GB8148000136		117, 121, 123	UPGUYDG262-69-01		155
GB8148000027		117	GB8148000137		115	UPGUYDG262-69-61		155
GB8148000028		117	GB8148000138		117			155
GB8148000029		117	GB8148300001	7031035	113			

Gulvklosetter med Hygienic Flush

	NRF. NR.	ART. NR.	VEIL. PRIS EKS. MVA.	VEIL. PRIS INKL. MVA.
<p>Nautic 1500 Hygienic Flush Toalett med skjult S-lås og åpen spylekant</p> <p>2/4 ltr u/sete, lav spyleknapp 2/4 ltr u/sete for liming, lav spyleknapp 2/4 ltr u/sete, C+, lav spyleknapp 2/4ltr m/sete SC/QR, C+, for liming</p>	6022943 6023043 6022944 6022298	GB111500201304 GB111500201303G GB1115002R1304 GB1115002R1331G	3.951 3.951 4.973 6.300	4.939 4.939 6.216 7.875
<p>Nautic 1510 Hygienic Flush Toalett med skjult P-lås og åpen spylekant</p> <p>2/4 ltr u/sete, lav spyleknapp 2/4 ltr u/sete, C+, lav spyleknapp 4 ltr u/sete, høy spyleknapp</p>	6022301 6022307 6022302	GB111510201304 GB1115102R1304 GB111510401205	4.575 5.624 4.558	5.719 7.030 5.698
<p>Nautic 1546 Hygienic Flush Toalett med skjult S-lås og åpen spylekant, høy modell</p> <p>2/4 ltr u/sete, høy spyleknapp 2/4 ltr u/sete, lav spyleknapp 2/4 ltr u/sete, C+, høy spyleknapp 4 ltr u/sete, høy spyleknapp</p>	6023039 6023045 6023041 6023042	GB111546201203 GB111546201304 GB1115462R1203 GB111546401205	6.413 6.413 7.588 6.413	8.016 8.016 9.485 8.016
<p>Nautic 1591 Hygienic Flush Toalett med åpen S-lås og åpen spylekant, stor fot</p> <p>2/4 ltr u/sete, høy spyleknapp</p>	6022308	GB111591201203	3.985	4.981
<p>Estetic 8300 med skjult S/P-lås, u/skruehull, for liming. Toalett med åpen spylekant, 2/4 ltr, C+</p> <p>Hvit inkl sete med SC/QR Matt hvit inkl sete med SC/QR Sort inkl sete med SC/QR (Blir erstattet med matt sort i 4. kvartal)</p> <p>Estetic 8300 med skjult S/P-lås, m/skruehull. Toalett med åpen spylekant, 2/4 ltr, C+</p> <p>Hvit inkl sete med SC/QR Hvit inkl sete med faste hengsler Matt hvit inkl sete med SC/QR</p>	6022977 6022311 6022979 6022981 6022983 6022309	GB1183002R1231G GB1183002RW231G GB1183002S0231G GB1183002R1231 GB1183002R1221 GB1183002RW231	8.133 8.953 8.953 7.995 7.995 8.953	10.166 11.191 11.191 9.994 9.994 11.191

Gulvklosetter

	NRF. NR.	ART. NR.	VEIL. PRIS EKS. MVA.	VEIL. PRIS INKL. MVA.
<p>Nordic³ 3500 Toalett, skjult S-lås, 3/6 ltr.</p>	6022909	GB113500301203	3.148	3.935
<p>Nordic³ 3510 Toalett, P-lås, 3/6 ltr.</p>	6022926	GB113510301203	3.513	4.391
<p>Nautic toalett 5500, skjult S-lås 3/6 ltr 3/6 ltr,u/skruehull, f/liming</p>	6023011 6023013	GB115500301203 GB115500301203G	3.595 3.773	4.494 4.716
Tilleggsutstyr toaletter				
<p>Vandalsikker trykknapp, enkelspyling, Rustfritt/sort</p>	6025669	GB19299NV036	1.068	1.335
<p>Forhøyningssockler på +4 cm Passer til Nautic toalett 5510 og 1510FH</p>	6025663	GB8830701001	1.960	2.451
<p>Passer til Nautic toalett 5591 og 1591HF (utgående, restlager)</p>	6025664	GB8830709101	1.960	2.451

	NRF. NR.	ART. NR.	VEIL. PRIS EKS. MVA.	VEIL. PRIS INKL. MVA.
 <p>Monteringsstativ f/vegghengt toalett og bide.</p> <p>Kun veggfester. Tilleggsutstyr toaletter</p> <p>Toalettcran m/sil og halvkobling Nautic vandalsikker trykknapp, enkelsyling, rustfritt/sort</p>	6023007	GB19211000510	1.839	2.299
Veggmonterte toaletter				
 <p>Nautic 1522 Hygienic Flush Veggskål med utvendig sisterne Åpen spylekant og høy spyleknapp</p> <p>2/4 ltr u/sete, høy spyleknapp 2/4 ltr u/sete, lav spyleknapp 2/4 ltr u/sete, C+, høy spyleknapp 2/4 ltr u/sete, C+, lav spyleknapp 4 ltr u/sete, høy spyleknapp</p>	6023037 6023046 6023036 6023047 6023038	GB111522201203 GB111522201304 GB1115222R1203 GB1115222R1304 GB111522401205	6.300 6.300 7.322 7.322 6.300	7.875 7.875 9.153 9.153 7.875
Veggskåler med Hygienic Flush				
 <p>Estetic 8330 Hygienic Flush med åpen spylekant, C+</p> <p>Hvit inkl hardplastsete med SC/QR Hvit matt inkl. hardplastsete SC/QR Sort inkl sete med SC/QR (Blir erstattet med matt sort i 4. kvartal)</p>	6023652 6023179 6023654	GB1183300R1030 GB1183300RW030 GB1183300S0030	5.364 6.606 6.606	6.705 8.258 8.258
 <p>Hygienic Flush 5G84 med åpen spylekant</p> <p>Uten sete Med hvitt soft-Close og Quick-release sete</p>	6022997 6022998	5G84R001 5G84HR01	2.453 3.840	3.066 4.800
 <p>3630 Nordic³ Hygienic Flush vegghengt toalett</p> <p>Beregnet for veggmontering på monteringsstativ med innbyggingssisterne. Spylemengde 4,5/3 liter</p> <p>Uten sete</p>	6023682	GB113630001000	1.565	1.956
 <p>3635 Nordic³ compact Hygienic Flush vegghengt toalett</p> <p>Beregnet for veggmontering på monteringsstativ med innbyggingssisterne. Spylemengde 4,5/3 liter</p> <p>Uten sete</p>	6023683	GB113635001000	1.565	1.956

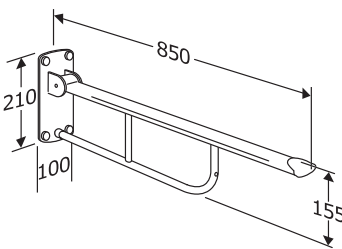
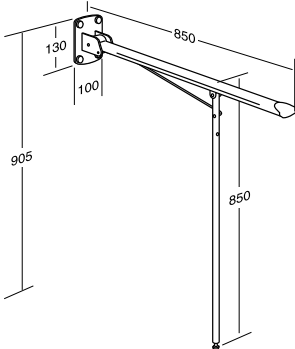
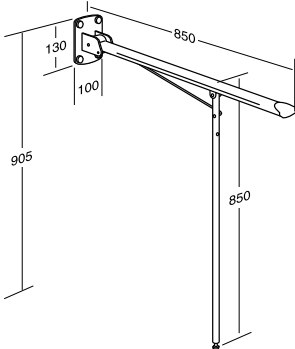
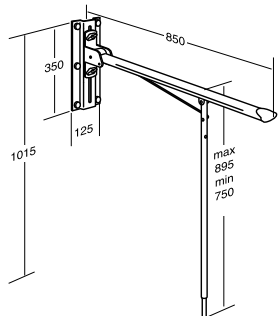
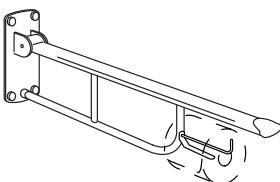
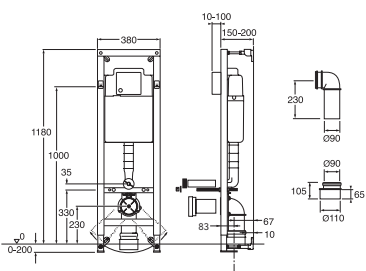
	NRF. NR.	ART. NR.	VEIL. PRIS EKS. MVA.	VEIL. PRIS INKL. MVA.
<p>Care 4G95 Hygienic Flush Med åpen spylekant, 46cm høy modell</p> <p>Uten sete</p>	6023618	4G95R001	3.797	4.746
<p>Care 4G01 Hygienic Flush Med åpen spylekant, 70cm lang modell</p> <p>Uten sete</p>	6023617	4G01R001	4.131	5.164
Veggskåler				
<p>Nordic³ veggskål 3530</p>	6023613	GB113530001000	1.681	2.101
<p>Nautic veggskål 5530</p> <p>5530 veggskål 5530 veggskål, C+</p>	6023034 6023035	GB115530001000 GB1155300R1000	1.825 2.774	2.281 3.468
<p>Saval 2.0 veggskål</p>	6023612	7G061001	1.460	1.825

Toalettseter

	NRF. NR.	ART. NR.	VEIL. PRIS EKS. MVA.	VEIL. PRIS INKL. MVA.	
	Seter til Nordic³/Saval 2.0 Nordic ³ hvitt propensete Hvitt hardplastsete Hvitt soft-Close og Quick-release sete	6025456 6096502 6025471	9M646101 8780G101 8780S101	266 724 1.277	333 905 1.596
	SETER 8780 Nordic ³ compact hardplastsete, hvitt 8780 Nordic ³ compact hardplast sete med SC 9M64 Nordic ³ compact standardsete, hvitt	6025476 6025475 6025477	8780G801 8780S801 9M648101	642 1.132 236	803 1.415 295
	Passer til samtlige toaletter i Nautic-serien Standard propensete, hvit Lux-sete, hardplast, hvitt, rustfrie fester Lux-sete, hardplast, hvitt, SC/QR Lux-sete, hardplast, sort, SC/QR	6025425 6025426 6025427 6025428	9M246101 9M256101 9M26S101 9M26S136	275 827 1.319 1.747	344 1.034 1.649 2.184
	Logic toalettseter Hardplast, hvitt, rustfrie fester Hardplast, hvitt, SC Hardplast, sort, SC	6025517 6025511 6025404	9M016101 9M11S101 9M11S136	1.042 1.519 1.990	1.303 1.899 2.488
	9M10 Estetic gulvtoalettsete Hvit hardplastsete med SC/QR Sort hardplastsete med SQ/QR Hvit hardplastsete med faste hengsler 9M09 Estetic veggskålsete Hvit hardplastsete med SC/QR Matt hvit hardplastsete med SC/QR Sort hardplastsete med SQ/QR Hvit hardplastsete med faste hengsler	6025459 6025461 6025463 6025464 6025466 6025465 6025467	9M10S101 9M10S136 9M106101 9M09S101 9M09S1S3 9M09S136 9M096101	1.784 2.491 1.280 1.641 2.373 2.373 1.259	2.230 3.114 1.600 2.051 2.966 2.966 1.574
	Sete til Care 4G01/4G95 Hvit hardplastsete med faste hengsler Hvit hardplastsete med SC/QR	6025469 6025445	9M676101 9M38S101	1.350 1.261	1.688 1.576

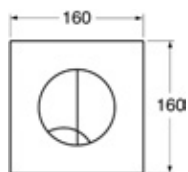
		NRF. NR.	ART. NR.	VEIL. PRIS EKS. MVA.	VEIL. PRIS INKL. MVA.
	Artic/HygienicFlush Hardplastsete med SC/QR Hvitt Sort	6025508 6025509	9M16S101 9M16S136	2.018 2.491	2.523 3.114
	Kompletterende seter Nordic seter til 390-serien Propensete, hvitt, m/lokk	6025412	GB1919901702	266	333
	Hvitt lux-sete m/rustfrie fester f/390 Sort lux-sete m/rustfrie fester f/390	6025414 6025514	GB1919901950 GB1919901960	1.073 1.540	1.341 1.925
	Hvitt propensete f/325 Hardplast lux-sete f/325, m/lokk	6025411 6025415	GB1929900226 GB1919901900	354 1.087	443 1.359
	Hvitt propensete f/315 <i>Setene passer til 2300, 2310, 2320, 2330, 2350 og 2391</i>	6025408	GB1929900227	406	508
	Standard propensete, hvit	6096503	GB1919902002	266	333
	Lux-sete, hvitt, rustfrie fester Hardplastsete, hvitt, rustfrie fester (utgående, restlager)	6096504 6096505	GB1919902070 GB1919901211	1.031 689	1.289 862
	Lux-sete, hvitt, SC Lux-sete, sort, SC	6025507 6025405	GB1919902055 GB1919902065	1.319 1.657	1.649 2.071
	Hardplast, hvitt, rustfrie fester Hardplast, sort, rustfrie fester	6025419 6025513	GB1919901601 GB1919901610	1.540 1.828	1.925 2.285

Barnetoalettsete	NRF. NR.	ART. NR.	VEIL. PRIS EKS. MVA.	VEIL. PRIS INKL. MVA.	
	Hvitt propensete f/305, m/lokk Hvitt propensete f/305, u/lokk	6025406 6025407	GB1919900910 GB1919901286	1.364 354	1.705 443
Care Basic					
	Nordic/Nautic armstøtte f/2300/5530 serien med hvitt sete Nordic armstøtte f/2300- serien uten sete Nautic Care 3055 armstøtte f/5500-serien og 1500-serien u/ sete Nautic 3055 armstøtte f/5500-serien og 1500-serien m/hvitt sete	6025611 6025705 6025636 6025637	GB88305101 GB88305100 GB88305500 GB88305501	6.701 5.464 4.784 6.012	8.376 6.830 5.980 7.515
	Nautic 3060 Care sete Diana, hvitt Nautic 3060 Care sete Diana, rød Nautic 3060 Care sete Diana, blått Nautic 3060 Care sete Diana, sort	6025429 6025431 6025432 6025434	GB88306001 GB88306004 GB88306015 GB88306036	1.515 1.629 1.629 1.629	1.894 2.036 2.036 2.036

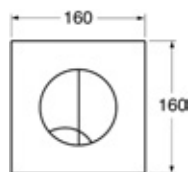
	NRF. NR.	ART. NR.	VEIL. PRIS EKS. MVA.	VEIL. PRIS INKL. MVA.
 <p>1711 Armstøtte u/støtteben f/veggmontering</p>	6026763	GB88171101	3.377	4.221
 <p>1712 Armstøtte m/støtteben f/veggmontering 90,5 cm høy</p>	6026764	GB88171201	3.421	4.276
 <p>1712 Armstøtte m/støtteben f/veggmontering 80 cm høy</p>	6025968	GB881712101	3.421	4.276
 <p>1713 Armstøtte m/teleskopben f/veggmontering</p>	6026765	GB88171301	4.840	6.050
 <p>Papirholder f/armstøtte Papirholder f/Nordic/Nautic-armstøtte Papirholder f/Nordic/Nautic-armstøtte Papirholder f/armstøtte Støtتهåndtak 306 mm Støtتهåndtak 612 mm</p>	6026766 6025628 6025628 6026766 6026767 6026769	GB88171401 GB88301801 GB88301801 GB88171401 GB88171501 GB88171701	458 233 233 458 340 502	573 291 291 573 425 628
Triomont innbyggingsystemer og trykkplater for veggmonterte klosetter				
 <p>Triomont XS, høy modell</p> <p>For veggmontert, mekanisk spyling enkel el. dobbel, 3 ltr eller 6/3 ltr. For veggmontert, mekanisk spyling enkel el. dobbel, 4,5 ltr eller 3/4,5 ltr. For veggmontert, pneumatisk spyling, (utgående, restlager) enkel 6 ltr. el. dobbel 6/3 ltr.</p> <p>SafeBag gir beskyttelse mot lekkasje når stativet monteres på et sted u/ våtromssikring</p> <p>Monteringssett; veggfester Monteringssett for hjørnemontering Triomont ombyggningsdel for XS og XT fra mekanisk til pneumatisk</p>	6025926 6024305 6025641 6025927 6025928 6025626	GB1921102020 GB1921102026 GB1921102021 GB1921102034 GB1921102027 GB1921102029 GB1921100394	3.360 3.360 4.016 1.443 266 266 426	4.200 4.200 5.020 1.804 333 333 533

	NRF. NR.	ART. NR.	VEIL. PRIS EKS. MVA.	VEIL. PRIS INKL. MVA.
<p>Triomont XT, lav modell</p> <p>For toppmontert, mekanisk spyling enkel el. dobbel Monteringssett; veggfester Monteringssett for hjørnemontering Triomont ombygningsdel for XS og XT fra mekanisk til pneumatisk</p>	6025643	GB1921102024	3.566	4.458
	6025927	GB1921102027	266	333
	6025928	GB1921102029	266	333
	6025626	GB1921100394	426	533
<p>Triomont XS Vario for mekaniske trykkplater (se XS monteringsstativ) for veggmontering. Justerbar høyde av toalettet etter montering.</p> <p>Høy modell for montering mot vegg eller i hjørne Monteringssett; veggfester Monteringssett for hjørnemontering</p>	6025642	GB1921102022	8.779	10.974
	6025927	GB1921102027	266	333
	6025928	GB1921102029	266	333
Urinaler				
<p>7G50 urinal, inkl. festedetaljer åpen vanntilkobling Vannlås f/gulv (vertikalt) Vannlås f/vegg (horisontalt)</p>	6030004	7G500001	3.383	4.229
	6028622	93270000	784	980
	6028621	93260000	784	980
<p>7G51 urinal, inkl. festedetaljer skjult vanntilkobling Vannlås f/gulv (vertikalt) Vannlås f/vegg (horisontalt)</p>	6030005	7G510001	3.383	4.229
	6028622	93270000	784	980
	6028621	93260000	784	980
	6030037	99320000	308	385
	6030038	99330000	517	646

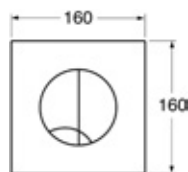
Spyleknapper for dobbelspyling
Triomont XS, 3/6 ltr. eller 4,5/3 ltr



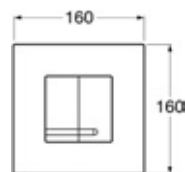
Hvit, plast
ART-nr GB1921102035
NRF-nr 6025933
Pris eks. mva. 484 kr.
Pris inkl. mva. 605 kr.



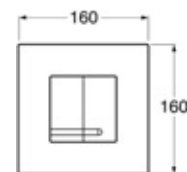
Matt forkrommet, plast
ART-nr GB1921102036
NRF-nr 6025934
Pris eks. mva. 678 kr.
Pris inkl. mva. 848 kr.



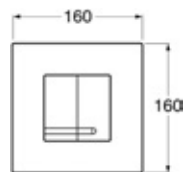
Blank forkrommet, plast
ART-nr GB1921102037
NRF-nr 6025935
Pris eks. mva. 625 kr.
Pris inkl. mva. 781 kr.



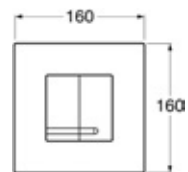
Hvit, plast
ART-nr GB1921102052
NRF-nr 6025647
Pris eks. mva. 500 kr.
Pris inkl. mva. 625 kr.



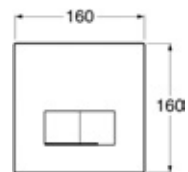
Blank forkrommet, plast
ART-nr GB1921102053
NRF-nr 6025648
Pris eks. mva. 641 kr.
Pris inkl. mva. 801 kr.



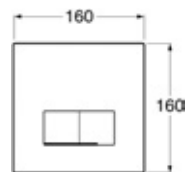
Hvit, metall u/ logo
ART-nr GB1921102045
NRF-nr 6025939
Pris eks. mva. 2.098 kr.
Pris inkl. mva. 2.623 kr.



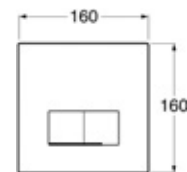
Blank forkrommet metall, u/ logo
ART-nr GB1921102047
NRF-nr 6025942
Pris eks. mva. 2.363 kr.
Pris inkl. mva. 2.954 kr.



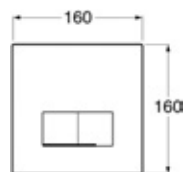
Rustfritt stål
ART-nr GB1921102054
NRF-nr 6025649
Pris eks. mva. 2.195 kr.
Pris inkl. mva. 2.744 kr.



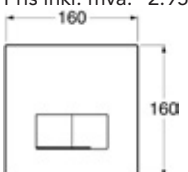
Rustfritt stål, m/ V&B logo
ART-nr GB1921102055
NRF-nr 6025823
Pris eks. mva. 2.195 kr.
Pris inkl. mva. 2.744 kr.



Hvit, glass
ART-nr GB1921102056
NRF-nr 6025974
Pris eks. mva. 2.674 kr.
Pris inkl. mva. 2.343 kr.

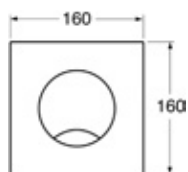


Sort, glass
ART-nr GB1921102057
NRF-nr 6025975
Pris eks. mva. 2.674 kr.
Pris inkl. mva. 3.343 kr.

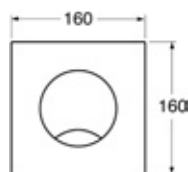


Aluminum
ART-nr GB1921102058
NRF-nr 6025976
Pris eks. mva. 2.674 kr.
Pris inkl. mva. 3.343 kr.

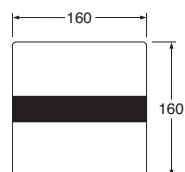
Spyleknapper for enkelspyling
Triomont XS, 6 ltr. eller 4,5



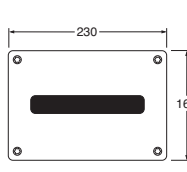
Hvit, plast
ART-nr GB1921102030
NRF-nr 6025929
Pris eks. mva. 484 kr.
Pris inkl. mva. 605 kr.



Blank forkrommet, plast
ART-nr GB1921102032
NRF-nr 6025932
Pris eks. mva. 625 kr.
Pris inkl. mva. 781 kr.

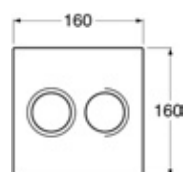


Hvit, plast
ART-nr GB1921102070
NRF-nr 6025969
Pris eks. mva. 3.867 kr.
Pris inkl. mva. 4.834 kr.

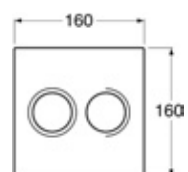


For offentlig miljøer, rustfritt
ART-nr GB1921102071
NRF-nr 6025971
Pris eks. mva. 6.069 kr.
Pris inkl. mva. 7.586 kr.

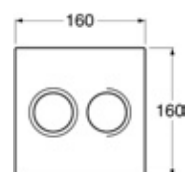
Pneumatisk trykknapper for dobbelspyling
Triomont XS, 3/6 ltr



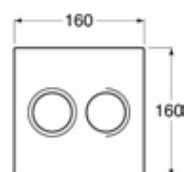
Hvit, plast
ART-nr GB1921102060
NRF-nr 6025651
Pris eks. mva. 690 kr.
Pris inkl. mva. 863 kr.



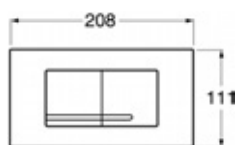
Blank forkrommet, plast
ART-nr GB1921102061
NRF-nr 6025652
Pris eks. mva. 910 kr.
Pris inkl. mva. 1.138 kr.



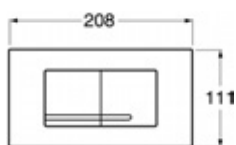
Hvit, glass
ART-nr GB1921102066
NRF-nr 6025653
Pris eks. mva. 2.505 kr.
Pris inkl. mva. 3.131 kr.



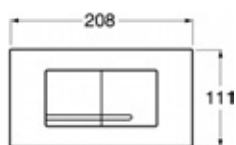
Sort, glass
ART-nr GB1921102067
NRF-nr 6025654
Pris eks. mva. 2.505 kr.
Pris inkl. mva. 3.131 kr.

Spyleknapper for toppmontering, dobbelspyling
Triomont XT, lav modell, 3/6 ltr


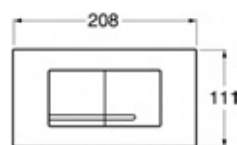
Hvit, plast
 ART-nr GB1921102080
 NRF-nr 6025655
 Pris eks. mva. 502 kr.
 Pris inkl. mva. 628 kr.



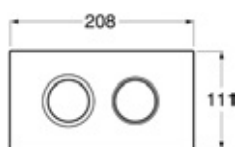
Blank forkrommet, plast
 ART-nr GB1921102081
 NRF-nr 6025656
 Pris eks. mva. 641 kr.
 Pris inkl. mva. 801 kr.



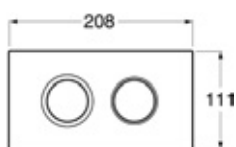
Hvit, glass
 ART-nr GB1921102082
 NRF-nr 6025977
 Pris eks. mva. 2.674 kr.
 Pris inkl. mva. 3.343 kr.



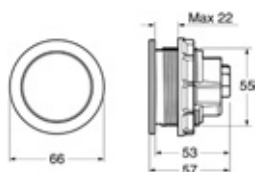
Sort, glass
 ART-nr GB1921102083
 NRF-nr 6025978
 Pris eks. mva. 2.587 kr.
 Pris inkl. mva. 3.223 kr.

Pneumatiske spyleknapper for toppmontering, dobbelspyling
Triomont XT, lav model, 3/6 ltr


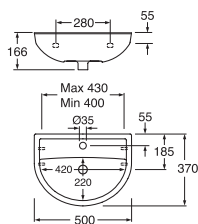
Hvit, plast
 ART-nr GB1921102085
 NRF-nr 6025657
 Pris eks. mva. 690 kr.
 Pris inkl. mva. 863 kr.



Blank forkrommet, plast
 ART-nr GB1921102086
 NRF-nr 6025658
 Pris eks. mva. 910 kr.
 Pris inkl. mva. 1.138 kr.

Pneumatisk trykknapp for enkelspyling
For samtlige modeller av triomont, 6 ltr


Rustfritt stål
 ART-nr GB1921102092
 NRF-nr 6025659
 Pris eks. mva. 910 kr.
 Pris inkl. mva. 1.138 kr.

Nordic³ servanter

 Nordic³ servant for bolt/bærejern
500x370 mm

NRF. NR.

ART. NR.

 VEIL. PRIS
EKS. MVA.

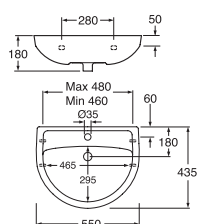
 VEIL. PRIS
INKL. MVA.

6021222

41005001

795

994

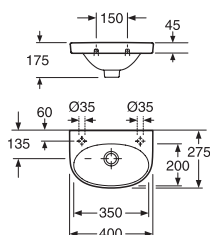

 Nordic³ servant for bolt/bærejern
550x440 mm

6021223

41005501

740

925

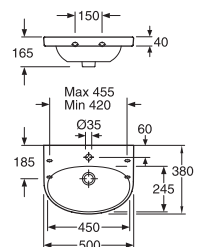
Nautic servanter

**5540 Nautic servant for boltmontering
400x275 mm**

 armaturhull høyre
armaturhull høyre, C+
armaturhull venstre
armaturhull venstre, C+

 6020201
6020202
6020203
6020204

 55409R01
55409RR1
55409L01
55409LR1

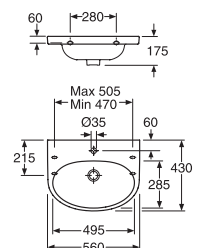
 1.240
2.193
1.240
2.193

 1.550
2.741
1.550
2.741

**5550 Nautic servant for bolt/bærejern
500x380 mm**

 med armaturhull
med armaturhull, C+
uten armaturhull
uten armaturhull, C+
uten overløp
uten overløp, C+

 6020207
6020208
6020209
6020211
6020212
6020213

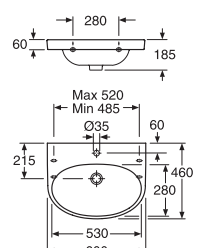
 55509901
555099R1
55509701
555097R1
55509801
555098R1

 904
1.775
1.177
2.130
1.177
2.130
 1.130
2.219
1.471
2.663
1.471
2.663
**5556 Nautic servant for bolt/bærejern
560x430 mm**

 med armaturhull
med armaturhull, C+
uten armaturhull
uten armaturhull, C+
uten overløp
uten overløp, C+
uten armaturhull og overløp

 6020216
6020217
6020218
6020219
6020221
6020222
6020223

 55569901
555699R1
55569701
555697R1
55569801
555698R1
55569M01

 856
1.700
1.007
1.962
1.007
1.962
893
 1.070
2.125
1.259
2.453
1.259
2.453
1.116
**5560 Nautic servant for bolt/bærejern
600x460 mm**

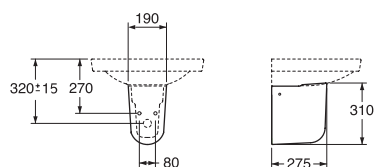
 med armaturhull
med armaturhull, C+
uten armaturhull
uten armaturhull, C+
uten overløp
uten overløp, C+
uten armaturhull og overløp
uten armaturhull og overløp, C+

 6020225
6020226
6020227
6020228
6020229
6020231
6020232
6020233

 55609901
556099R1
55609701
556097R1
55609801
556098R1
55609M01
55609MR1

 1.007
1.962
1.007
1.962
1.007
1.962
1.007
1.962
 1.259
2.453
1.259
2.453
1.259
2.453
1.259
2.453

Nautic søyler



2930 Nautic halvsøyle i porselen
til servant 5556, 5560, 5565 og 5570

NRF. NR.

ART. NR.

 VEIL. PRIS
EKS. MVA.

 VEIL. PRIS
INKL. MVA.

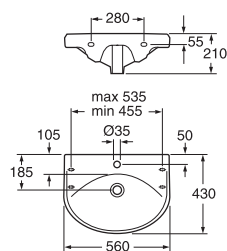
6021127

GB1129300100

2.270

2.838

Kompletterende servanter



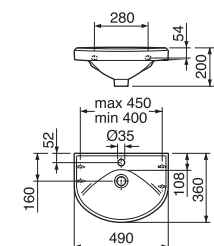
590-2 f/bolt/bærejern, 560x430mm
med overløp

6020064

GB1059020101

729

911



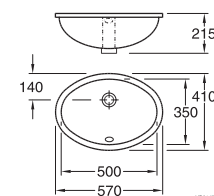
590-3 f/bolt/bærejern, 490x360mm
med overløp (**utgående, restlager**)

6020069

GB1059056101

782

977



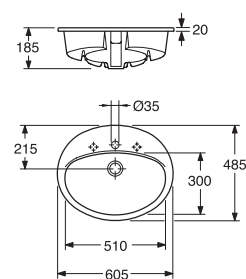
6147 98 servant, oval, f/underliming
570x410mm

6020007

GB1561479801

3.270

4.088



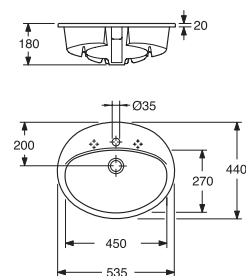
7G28 60, oval, f/nedfelling, 605x485mm

6020017

7G286001

2.159

2.699



7G28 53, oval, f/nedfelling, 535x440mm

6020016

7G285301

2.080

2.600

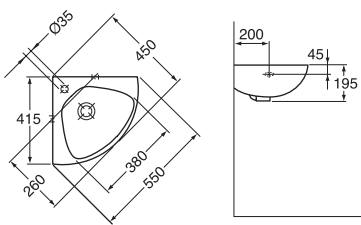
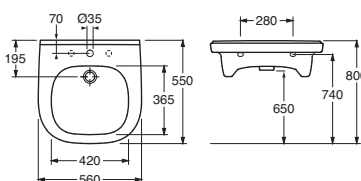
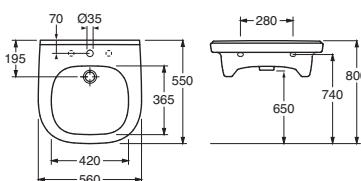
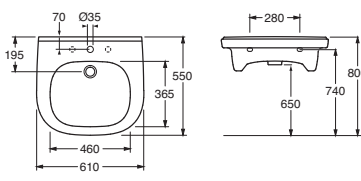
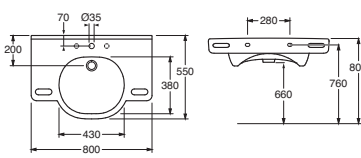
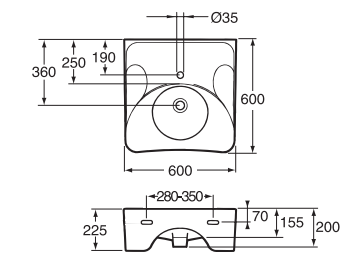
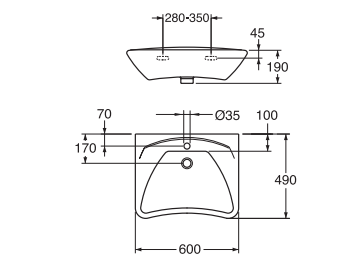
Spennklammer f/montering 7G2860,
7G2853, bestill 2 stk. pr. servant

6021913

87070000

42

52

	NRF. NR.	ART. NR.	VEIL. PRIS EKS. MVA.	VEIL. PRIS INKL. MVA.
 <p>7327 98 Hjørneservant, 555 x 450 mm f/bolt</p>	6020027	GB1573279801	2.440	3.050
<h3>Sykehus/HC-servanter</h3>				
 <p>4G19 55 HC-servant m/overløps f/ bolt, 560x550 mm</p>	6020194	4G195501	4.100	5.125
 <p>4G19 60 HC-servant m/overløps f/ bolt, 610x550 mm</p>	6020195	4G196001	4.330	5.413
 <p>4G19 61 HC-servant u/overløps f/ bolt, 610x550 mm</p>	6020198	4G196101	4.330	5.413
 <p>4G20 80 HC-servant m/overløp m/håndtak, f/ bolt, 800x550 mm</p>	6020196	4G208001	5.719	7.149
 <p>740-1 HC-servant, m/batterihull m/overløp f/bolt, 600x600 mm</p> <p>740-1 HC-servant, m/batterihull u/overløp f/bolt, 600x600 mm</p>	6020044	GB1074010101	5.626	7.033
 <p>7119 63 HC-servant m/overløp m/batterihull f/bolt, 600x490mm</p>	6020092	GB157119630110	4.330	5.413

Tilbehør servant

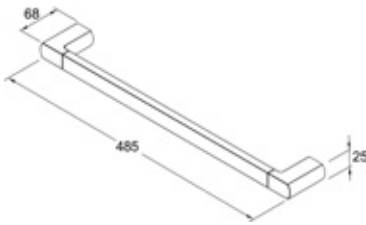
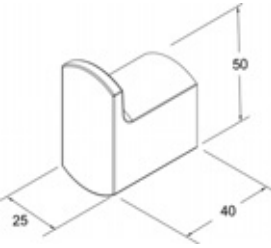
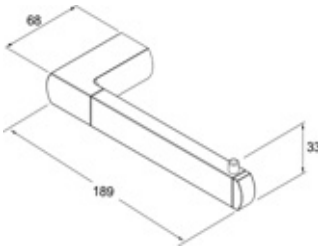
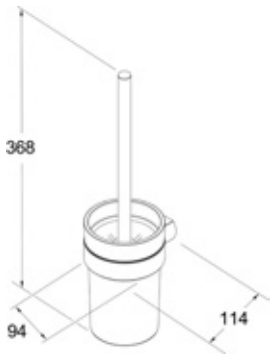
	NRF. NR.	ART. NR.	VEIL. PRIS EKS. MVA.	VEIL. PRIS INKL. MVA.
	6025661	GB1921102100	2.446	3.058
	6026755	GB88170401	13.343	16.679
	6026758	GB88170701	3.180	3.975
	6026759	GB88170801	1.735	2.169

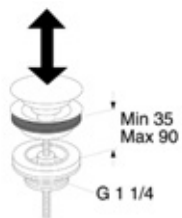


Baderomstilbehør Round

	NRF. NR.	ART. NR.	VEIL. PRIS EKS. MVA.	VEIL. PRIS INKL. MVA.
<p>Round håndklestang 450 mm, krom</p>	7031761	GB41103701	455	569
<p>Round håndklekrok, krom</p>	7031762	GB41103704	106	133
<p>Round dobbel håndklekrok, krom</p>	7031037	GB41103705	178	223
<p>Round toalettpapirholder, krom</p>	7031763	GB41103707	204	255
<p>Round toalettbørste med holder, krom</p> <p>TILBEHØR</p> <p>Reservebørste</p>	7031764	GB41103710	529	661
	7031049	GB41639746 01	50	63

Baderomstilbehør Square

	NRF. NR.	ART. NR.	VEIL. PRIS EKS. MVA.	VEIL. PRIS INKL. MVA.
 <p>Square håndklestang 450 mm</p> <p>Krom Matt sort Børstet messing</p>	7031765 7031769 7031774	GB41103901 GB41103901 53 GB41103901 24	627 753 977	784 941 1.221
 <p>Square håndklekrok</p> <p>Krom Matt sort Børstet messing</p>	7031766 7031771 7031775	GB41103904 GB41103904 53 GB41103904 24	188 226 293	235 283 366
 <p>Square toalettpapirholder</p> <p>Krom Matt sort Børstet messing</p>	7031767 7031772 7031776	GB41103907 GB41103907 53 GB41103907 24	267 321 417	334 401 521
 <p>Square toalettbørste med holder</p> <p>Krom Matt sort Børstet messing</p> <p>TILBEHØR</p> <p>Reservebørste</p>	7031768 7031773 7031777 7031049	GB41103910 GB41103910 53 GB41103910 24 GB41639746 01	605 726 944 50	756 908 1.180 63

Baderomstilbehør Push-down ventil


Krom
Matt sort
Børstet messing

NRF. NR.

ART. NR.

 VEIL. PRIS
EKS. MVA.

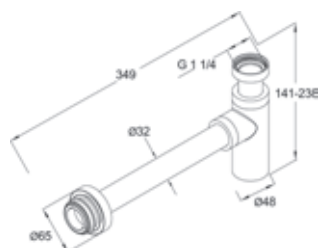
 VEIL. PRIS
INKL. MVA.

4343054
7031759
7031758

GB41636575 01
GB41636575 53
GB41636575 24

447
776
865

559
970
1.081

Baderomstilbehør vannlås

Vannlås for veggtilkobling

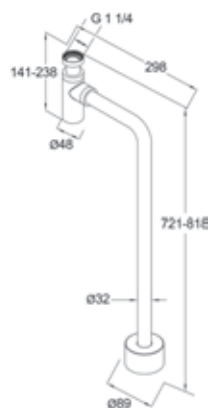
Krom
Matt sort
Børstet messing

7031778
7031779
7031781

GB41109938
GB41109938 53
GB41109938 24

1.192
1.502
1.703

1.490
1.878
2.129


Vannlås for gulvtilkobling

Krom
Matt sort
Børstet messing

7031782
7031783
7031784

GB41109939
GB41109939 53
GB41109939 24

1.431
1.739
1.941

1.789
2.174
2.426



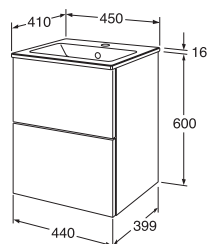
Nordic³ baderomsmøbler

	NRF. NR.	ART. NR.	VEIL. PRIS EKS. MVA.	VEIL. PRIS INKL. MVA.
<p>Nordic³ Servantskap med servant, 60x42/28 cm, hvit Høyglans</p>	7031535	GB71B032E4WB	3.264	4080
<p>Nordic³ Servantskap med servant, 60x42/28 cm, Lys Eik</p>	7031536	GB71B032E9WB	3.188	3985
<p>Nordic³ høyskap, 35x27 cm, hvit Nordic³ høyskap, 35x27 cm, Lys Eik Nordic³ Speilskap, 60x15 cm, skrog i hvitt Nordic³ Speilskap, 60x15 cm, skrog i Lys Eik</p>	7031531 7031532 7031533 7031534	GB71B03300E4 GB71B03300E9 GB71A47900E4 GB71A47900E9	3.545 3.545 3.545 3.545	4431 4431 4431 4431

Nautic baderomsmøbel

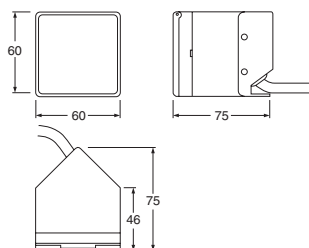
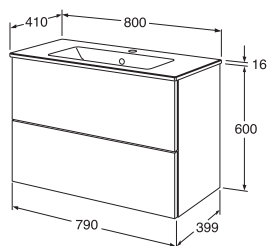
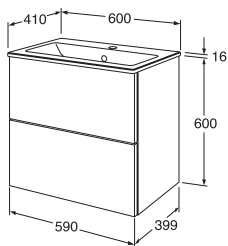
<p>Nautic Servantskap med servant, 57x44/28 cm, hvit høyglans</p> <p>Utgående restlager</p>	7031537	GB71B032E4WBN	3.264	4.080
--------------------------------------------------------------------------------------------------------	---------	---------------	-------	-------

Graphic Base baderomsmøbler



Graphic Base servantskap med servant i hvit med 2 skuffer.

Bredde 450x600x410 mm
 Bredde 600x600x410 mm
 Bredde 800x600x410 mm

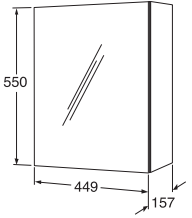
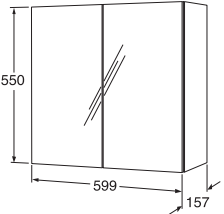
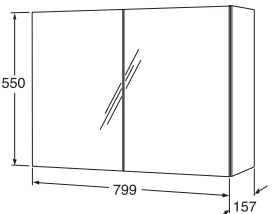
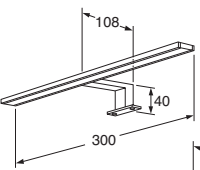
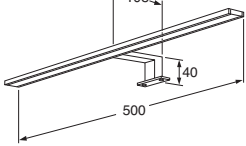
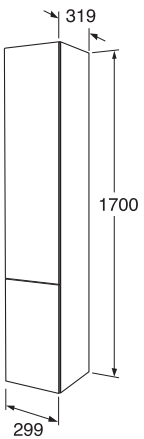
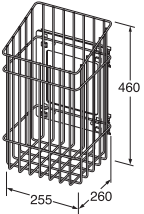


TILBEHØR

Plassbesparende stikkontakt som kan plasseres i en skuff. Alle monteringsdetaljer følger med. Den elektriske installasjonen skal utføres av en autorisert elektriker.

Stikkontakt IP44

NRF. NR.	ART. NR.	VEIL. PRIS EKS. MVA.	VEIL. PRIS INKL. MVA.
7031794	GB71GBVU45AGWB	5.419	6.774
7031795	GB71GBVU60AGWB	6.339	7.924
7031796	GB71GBVU80AGWB	7.259	9.074
7031025	GB711800220	265	331

	NRF. NR.	ART. NR.	VEIL. PRIS EKS. MVA.	VEIL. PRIS INKL. MVA.
 <p>Graphic Base speilskap i hvit Dører med dobbeltsidig speil og dempet lukking. To flyttbare hylleplater i glass Belysning og stikkontakt fås som tilvalg</p> <p>Bredde 449x550x157 mm Bredde 599x550x157 mm Bredde 799x550x157 mm</p>	7031788 7031789 7031791	GB71GBMC45AG00 GB71GBMC60AG00 GB71GBMC80AG00	3.671 4.407 5.051	4.589 5.509 6.314
  <p>TILBEHØR</p> <p>Belysning til Speilskap LED-belysning 300 mm, IP44, 3000 K LED-belysning 500 mm, IP44, 3000 K</p>  	7031584 7031593	GB71GCCL30 GB71GCCL50	1.703 2.066	2.129 2.583
 <p>Graphic Base høyskap i hvit Bredde 299x1700x319 mm</p>	7031792	GB71GBTC30AG	4.223	5.279
 <p>TILBEHØR</p> <p>Uttrekkbar skittentøyskurv for høyskap. Avtagbar kurv i metall for enkelt å kunne flytte tøy til vaskemaskinen. Leveres komplett med opphengsdetaljer og uttrekkbare skinner. Passer for montering venstre eller høyre hengslet dør.</p>	7031793	GB71GBLB30	1.796	2.245

Graphic baderomsmøbler

	NRF. NR.	ART. NR.	VEIL. PRIS EKS. MVA.	VEIL. PRIS INKL. MVA.		
	Graphic heldekkende servant, 450x410 mm Graphic servantskap med 2 skuffer 450x410x565 mm Hvit glatt Grå glatt Grønn glatt Tilbehør Skuffeinnsats 450 mm, per stk	6020286 4G014501 7031635 7031636 7031749 7031587	1.946 GB71GCVU45DH00 GB71GCVU45GR00 GB71GCVU45GN00 972	2.433 8.966 10.530 10.530 1.215		
		Graphic heldekkende servant, 600x410 mm Graphic servantskap med to skuffer 600x410x565 mm Hvit glatt Grå glatt Grønn glatt Tilbehør Skuffeinnsats 600 mm, per stk	6020287 4G016001 7031637 7031638 7031741 7031594	2.310 GB71GCVU60DH00 GB71GCVU60GR00 GB71GCVU60GN00 972	2.888 9.120 11.703 11.703 1.215	
			Graphic heldekkende servant, 800x410 mm Graphic servantskap med to skuffer 800x410x565 mm Hvit glatt Grå glatt Grønn glatt Tilbehør Skuffeinnsats 800 mm, per stk	6020289 4G018001 7031641 7031642 7031736 7031613	3.040 GB71GCVU80DH00 GB71GCVU80GR00 GB71GCVU80GN00 1.460	3.800 9.728 12.370 12.370 1.825
				Graphic heldekkende servant, 1000x410 mm Graphic servantskap med to skuffer 1000x410x565 mm Hvit glatt Grå glatt Grønn glatt Tilbehør Skuffeinnsats 1000 mm, per stk	6020282 4G01A501 7031643 7031644 7031745 7031617	3.526 GB71GCVU10DH00 GB71GCVU10GR00 GB71GCVU10GN00 1.702

		NRF. NR.	ART. NR.	VEIL. PRIS EKS. MVA.	VEIL. PRIS INKL. MVA.
	Graphic veggskap, dybde 160 mm Dørene har dempet lukking, inkludert to flyttbare hylleplater i glass	7031596	GB71GCSC6016DH	4.255	5.319
	Hvit glatt	7031597	GB71GCSC6016GR	5.198	6.498
	Grå glatt Grønn glatt	7031715	GB71GCSC6016GN	5.198	6.498
	Graphic topplate med belysning til veggskap, dybde 160 mm, 600 mm	7031603	GB71GCTP6016DH	3.890	4.863
	Hvit	7031604	GB71GCTP6016GR	4.255	5.319
	Grå Grønn	7031751	GB71GCTP6016GN	4.680	5.850
	Graphic topplate med belysning til veggskap, dybde 160 mm, 1200 mm beregnet for 2x600mm skap montert ved siden av hverandre	7031552	GB71GCTP1216DH	4.255	5.319
	Hvit	7031553	GB71GCTP1216GR	4.741	5.926
	Grå Grønn	7031742	GB71GCTP1216GN	5.215	6.519
	Graphic veggskap, dybde 320 mm Dørene har dempet lukking, inkludert to flyttbare hylleplater i glass	7031599	GB71GCSC6032DH	4.741	5.926
	Hvit glatt	7031601	GB71GCSC6032GR	5.598	6.998
	Grå glatt Grønn glatt	7031711	GB71GCSC6032GN	5.598	6.998
	Graphic topplate med belysning til veggskap, dybde 320 mm, 600 mm	7031605	GB71GCTP6032DH	4.741	5.926
	Hvit	7031606	GB71GCTP6032GR	6.018	7.523
	Grå Grønn	7031737	GB71GCTP6032GR	6.018	7.523
	Graphic topplate med belysning til veggskap, dybde 320 mm, 1200 mm beregnet for 2x600mm skap montert ved siden av hverandre	7031554	GB71GCTP1232DH	5.108	6.385
	Hvit	7031555	GB71GCTP1232GR	5.714	7.143
	Grå Grønn	7031746	GB71GCTP1232GN	6.285	7.856

	NRF. NR.	ART. NR.	VEIL. PRIS EKS. MVA.	VEIL. PRIS INKL. MVA.
	<p>Graphic høyskap, dybde 160 mm Vendbare dører for høyre-/venstremontering med dempet lukking. En fast hylleplate i tre, fire flyttbare i glass.</p>			
	<p>Hvit glatt 7031577 Grå glatt 7031578 Grønn glatt 7031706</p>	<p>GB71GCTC16DH GB71GCTC16GR GB71GCTC16GN</p>	<p>6.687 7.863 7.863</p>	<p>8.359 9.829 9.829</p>
	<p>Graphic høyskap, dybde 320 mm Med smart oppbevaring i den øverste døren.</p>			
	<p>Hvit glatt 7031581 Grå glatt 7031582 Grønn glatt 7031703</p>	<p>GB71GCTC32DH GB71GCTC32GR GB71GCTC32GN</p>	<p>7.902 9.198 9.198</p>	<p>9.878 11.498 11.498</p>
	<p>Graphic Speilskap Dobbelsidig speil og dempet lukking. Inkludert to flyttbare hylleplater i glass, forstørrende speil og magnetlist som kan monteres på valgfritt sted. Baderomslampe og stikkontakt fås som tilvalg.</p>			
	<p>Bredde 450 mm med en dør</p>			
	<p>Hvit 7031625 Grå 7031686 Grønn 7031727</p>	<p>GB71GCMC45DH GB71GCMC45GR GB71GCMC45GN</p>	<p>3.890 4.665 4.665</p>	<p>4.863 5.831 5.831</p>
	<p>Bredde 600 mm med to dører</p>			
	<p>Hvit 7031626 Grå 7031685 Grønn 7031723</p>	<p>GB71GCMC60DH GB71GCMC60GR GB71GCMC60GN</p>	<p>4.741 5.598 5.598</p>	<p>5.926 6.998 6.998</p>
	<p>Bredde 800 mm med to dører</p>			
	<p>Hvit 7031629 Grå 7031684 Grønn 7031732</p>	<p>GB71GCMC80DH GB71GCMC80GR GB71GCMC80GN</p>	<p>5.471 6.265 6.265</p>	<p>6.839 7.831 7.831</p>
	<p>Bredde 1000 mm med to dør</p>			
	<p>Hvit 7031633 Grå 7031683 Grønn 7031718</p>	<p>GB71GCMC10DH GB71GCMC10GR GB71GCMC10GN</p>	<p>5.958 6.932 6.932</p>	<p>7.448 8.665 8.665</p>
	<p>Tilbehør</p>			
<p>LED-belysning 300 mm, IP44, 3000 K 7031584 LED-belysning 500 mm, IP44, 3000 K 7031593 Stikkontakt IP44 7031025</p>	<p>GB71GCCL30 GB71GCCL50 GB711800220</p>	<p>1.703 2.066 265</p>	<p>2.129 2.583 331</p>	

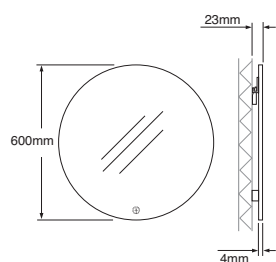
Artic baderomsmøbler

	NRF. NR.	ART. NR.	VEIL. PRIS EKS. MVA.	VEIL. PRIS INKL. MVA.	
	Artic heldekkende servant, 620x480 mm	6020288	4G006001	2.432	3.040
	Artic servantskap med to skuffer 620x480x585 mm				
	Hvit glatt	7031609	GB714860DH00	7.173	8.966
	Hvit Speildør	7031639	GB714860WF00	7.173	8.966
	Svart eik	7031678	GB714860BL00	8.390	10.488
Hvit melamin med greplist	7031689	GB714860AG00	5.958	7.448	
Tilbehør					
Skuffeinnsats 600 mm, per stk		GB7148DR60	972	1.215	
	Artic heldekkende servant, 820x480 mm	6020291	4G008001	3.162	3.953
	Artic servantskap med to skuffer 820x480x585 mm				
	Hvit glatt	7031616	GB714880DH00	7.659	9.574
	Hvit Speildør	7031671	GB714880WF00	7.659	9.574
	Svart eik	7031615	GB714880BL00	8.875	11.094
Hvit melamin med greplist	7031691	GB714880AG00	6.444	8.055	
Tilbehør					
Skuffeinnsats 800 mm, per stk		GB7148DR80	1.460	1.825	
	Artic heldekkende servant m/ett batterihull 1020x480 mm	6020283	4G00A501	3.769	4.711
	Artic heldekkende servant m/to batterihull 1020x480 mm	6020284	4G00A401	3.769	4.711
	Artic servantskap med to skuffer 1020x480x585 mm				
	Hvit glatt	7031548	GB714810DH00	8.268	10.335
	Hvit Speildør	7031674	GB714810WF00	8.268	10.335
Svart eik	7031547	GB714810BL00	9.484	11.855	
Hvit melamin med greplist	7031687	GB714810AG00	7.052	8.815	
Tilbehør					
Skuffeinnsats 1000 mm, per stk		GB7148DR10	1.823	2.279	

	NRF. NR.	ART. NR.	VEIL. PRIS EKS. MVA.	VEIL. PRIS INKL. MVA.
<p>Artic heldekkende servant med to bassenger 1220x480 mm</p> <p>Artic servantskap med fire skuffer 1220x480x585 mm</p> <p>Hvit glatt venstre Hvit glatt høyre Hvit Speildør venstre Hvit Speildør høyre Svart eik venstre Svart eik høyre Hvit melamin med greplis venstre Hvit melamin med greplis høyre</p> <p>Tilbehør</p> <p>Skuffeinnsats 600 mm, per stk</p>	6020285	4G00C501	4.255	5.319
	7031699 7031701 7031695 7031696 7031697 7031698 7031693 7031694	GB714812DH0L GB714812DH0R GB714812WF0L GB714812WF0R GB714812BL0L GB714812BL0R GB714812AG0L GB714812AG0R	6.929 6.929 6.682 6.682 8.144 8.144 5.388 5.388	8.661 8.661 8.353 8.353 10.180 10.180 6.735 6.735
<p>Artic høyskap, dybde 370 mm Vendbare dører for høyre-/venstre- montering med dempet lukking. En fast hylleplate i tre, tre flyttbare i glass.</p> <p>Hvit glatt Hvit Speildør Svart eik</p>	7031624 7031634 7031586	GB714870DH00 GB714870WF00 GB714870BO00	5.958 8.390 9.606	7.448 10.488 12.008
<p>Artic speilskap Dobbelsidig speil og dempet lukking. Inkludert to flyttbare hylleplater i glass, forstørrende speil og magnetlist som kan monteres på valgfritt sted. LED-belysning over og under skapet, integrrert stikkontakt inne i skapet.</p> <p>Bredde 600 mm med to dører</p> <p>Hvit Svart eik</p> <p>Bredde 800 mm med to dører</p> <p>Hvit Svart eik</p> <p>Bredde 1000 mm med to dører</p> <p>Hvit Svart eik</p> <p>Bredde 1200 mm med 4 dører</p> <p>Hvit Svart eik</p>	7031517 7031515 7031628 7031627 7031524 7031522 7031621 7031619	GB71488860DH GB71488860BO GB71488880DH GB71488880BO GB71488810DH GB71488810BO GB71488812DH GB71488812BO	8.875 9.606 9.606 10.335 10.091 10.820 17.750 19.210	11.094 12.008 12.008 12.919 12.614 13.525 22.188 24.013

	NRF. NR.	ART. NR.	VEIL. PRIS EKS. MVA.	VEIL. PRIS INKL. MVA.	
	<p>Artic speil med og uten LED-belysning, IP44, 3000 K</p>				
	<p>Bredde 600 mm</p> <p>Uten belysning Med LED-belysning</p>				
	7031539	GB7148806000U	1.299	1.624	
	7031538	GB7148806000	2.594	3.243	
	<p>Bredde 800 mm</p> <p>Uten belysning Med LED-belysning</p>				
	7031631	GB7148808000U	1.460	1.825	
7031632	GB7148808000	2.920	3.650		
	<p>Bredde 1000 mm</p> <p>Uten belysning Med LED-belysning</p>				
			GB7148801000U	1.727	2.159
			GB7148801000	3.199	3.999
	<p>Bredde 1200 mm</p> <p>Uten belysning Med LED-belysning</p>				
	7031622	GB7148801200U	1.761	2.201	
	7031623	GB7148801200	3.504	4.380	

Runde speil



Ø 600 mm*

NRF. NR.

ART. NR.

VEIL. PRIS
EKS. MVA.

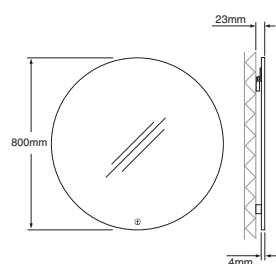
VEIL. PRIS
INKL. MVA.

7031713

GB71GCMR60

1.603

2.004



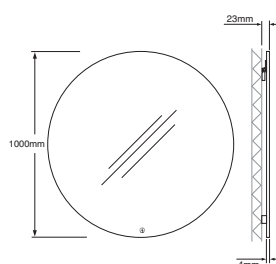
Ø 800 mm*

7031708

GB71GCMR80

1.788

2.235



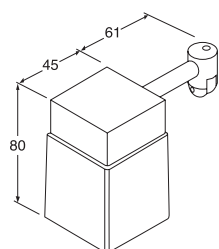
Ø 1000 mm*

7031748

GB71GCMR10

1.974

2.468



TILBEHØR

Belysning til speil i krom og frostet glass, 1 stk

7031753

GB7148804601

931

1.164

Håndtak og Knotter til Artic og Graphic



Handtag H1
Farge: Krom
Mål*: C-C mellom kruer 96 mm
Art-nr: GB7199H1CR096
NRF-nr: 7031549
Pris:** 154 NOK



Handtag H2
Farge: Sort tre / krom
Mål*: C-C mellom kruer 96 mm
Art-nr: GB7199H2CW096
NRF-nr: 7031564
Pris:** 228 NOK



Handtag H2
Farge: Sort tre / krom
Mål*: C-C mellom kruer 128 mm
Art-nr: GB7199H2CW128
NRF-nr: 7031565
Pris:** 228 NOK



Handtag H4
Farge: Krom
Mål*: C-C mellom kruer 128 mm
Art-nr: GB7199H4CR128
NRF-nr: 7031558
Pris:** 154 NOK



Handtag H4
Farge: Krom
Mål*: C-C mellom kruer 160 mm
Art-nr: GB7199H4CR160
NRF-nr: 7031561
Pris:** 154 NOK



Handtag H4
Farge: Krom
Mål*: C-C mellom kruer 224 mm
Art-nr: GB7199H4CR224
NRF-nr: 7031568
Pris:** 154 NOK



Handtag H4
Farge: Sort
Mål*: C-C mellom kruer 128 mm
Art-nr: GB7199H4BL128
NRF-nr: 7031559
Pris:** 154 NOK



Handtag H4
Farge: Sort
Mål*: C-C mellom kruer 160 mm
Art-nr: GB7199H4BL160
NRF-nr: 7031562
Pris:** 154 NOK



Handtag H4
Farge: Sort
Mål*: C-C mellom kruer 224 mm
Art-nr: GB7199H4BL224
NRF-nr: 7031569
Pris:** 154 NOK



Handtag H5
Farge: Hvit
Mål*: C-C mellom kruer 32 mm
Art-nr: GB7199H5WH032
NRF-nr: 7031591
Pris:** 154 NOK



Handtag H5
Farge: Hvit
Mål*: C-C mellom kruer 128 mm
Art-nr: GB7199H5WH128
NRF-nr: 7031566
Pris:** 154 NOK



Handtag H8
Farge: Krom
Mål*: C-C mellom skruer 160 mm
Art-nr: GB7199H8CR160
NRF-nr: 7031704
Pris:** 245 NOK



Handtag H8
Farge: Messing
Mål*: C-C mellom skruer 160 mm
Art-nr: GB7199H8BR160
NRF-nr: 7031716
Pris:** 360 NOK



Handtag H8
Farge: Sort
Mål*: C-C mellom skruer 160 mm
Art-nr: GB7199H8BL160
NRF-nr: 7031712
Pris:** 263 NOK



Handtag H8
Farge: Krom/Sort lær
Mål*: C-C mellom skruer 160 mm
Art-nr: GB7199H8CB160
NRF-nr: 7031752
Pris:** 573 NOK



Handtag H8
Farge: Messing/brunt lær
Mål*: C-C mellom skruer 160 mm
Art-nr: GB7199H8BN160
NRF-nr: 7031743
Pris:** 619 NOK



Handtag H8
Farge: Sort/Sort lær
Mål*: C-C mellom skruer 160 mm
Art-nr: GB7199H8BB160
NRF-nr: 7031738
Pris:** 573 NOK



Knopp K3 til møbler
Farge: Sort lær/krom
Mål*: Høyde 65 mm

Art-nr: GB7199K3BCR00
NRF-nr: 7031725
Pris:** 228 NOK



Knopp K3 til møbler
Farge: Brunt lær/Messing
Mål*: Høyde 65 mm

Art-nr: GB7199K3BBR00
NRF-nr: 7031734
Pris:** 228 NOK



Knopp K3 til møbler
Farge: Natur lær/koppar
Mål*: Høyde 65 mm

Art-nr: GB7199K3NCR00
NRF-nr: 7031721
Pris:** 228 NOK



Knopp K1 til møbler eller vegg
Farge: Porselen/messing
Mål*: Diameter: 30 mm

Art-nr: GB7199K1PB000
NRF-nr: 7031585
Pris:** 154 NOK



Knopp K2 til møbler eller vegg
Farge: Krom
Mål*: Diameter 25 mm

Art-nr: GB7199K2CR000
NRF-nr: 7031573
Pris:** 154 NOK



Knopp K5 til møbler eller vegg
Farge: Messing
Mål*: Diameter 24 mm

Art-nr: GB7199K5BR000
NRF-nr: 7031571
Pris:** 154 NOK



Knopp K5 til møbler eller vegg
Farge: Kobber
Mål*: Diameter 24 mm

Art-nr: GB7199K5CU000
NRF-nr: 7031572
Pris:** 154 NOK



Knopp K6 til møbler eller vegg
Farge: Sort
Mål*: Diameter 27 mm

Art-nr: GB7199K6BL000
NRF-nr: 7031574
Pris:** 154 NOK



Knopp K6 til møbler eller vegg
Farge: Hvit
Mål*: Diameter 27 mm

Art-nr: GB7199K6WH000
NRF-nr: 7031575
Pris:** 154 NOK



Knopp K7 til møbler eller vegg
Farge: Messing
Mål*: Diameter 25 mm

Art-nr: GB7199K7BR000
NRF-nr: 7031724
Pris:** 184 NOK



Knopp K7 til møbler eller vegg
Farge: Krom
Mål*: Diameter 25 mm

Art-nr: GB7199K7CR000
NRF-nr: 7031728
Pris:** 184 NOK



Knopp K7 til møbler eller vegg
Farge: Sort
Mål*: Diameter 25 mm

Art-nr: GB7199K7BL000
NRF-nr: 7031733
Pris:** 184 NOK



Knopp K8 til møbler eller vegg
Farge: Hvit marmor
Mål*: Diameter 28 mm

Art-nr: GB7199K8WM000
NRF-nr: 7031719
Pris:** 420 NOK



Knopp K8 til møbler eller vegg
Farge: Grønn marmor
Mål*: Diameter 28 mm

Art-nr: GB7199K8GM000
NRF-nr: 7031707
Pris:** 420 NOK



Knopp K9 til møbler eller vegg
Farge: Messing
Mål*: Diameter 16 mm

Art-nr: GB7199K9BR000
NRF-nr: 7031747
Pris:** 154 NOK



Knopp K9 til møbler eller vegg
Farge: Sort
Mål*: Diameter 16 mm

Art-nr: GB7199K9BL000
NRF-nr: 7031729
Pris:** 154 NOK



Badekar



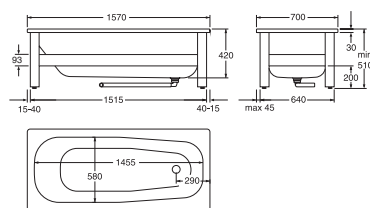
Badekar i emaljert stålplate med hel- eller halvfrontstativ

	NRF. NR.	ART. NR.	VEIL. PRIS EKS. MVA.	VEIL. PRIS INKL. MVA.		
<p>Badekar 1300, 1300x700 mm, uten ben, m/bunnventil og utløpsrør.</p> <p>Halvfrontstativ m/front og gavll Halvfrontstativ m/front og gavll</p> <p>1300 Badekar med glazepluss 1300 Badekar med antisklibehandling 1300 Badekar med borehull for to støttehåndtak</p> <p>To støttehåndtak</p>	6030203	GB2113000100	6955	8694		
	6031743 6031749	GB2174130100 GB2164130100	3702 3462	4628 4328		
	GB2113000113 GB2113000112 GB2113000111	9.061 9.061 9.061	11.326 11.326 11.326			
	GB208B080901	2.529	3.161			
	<p>Badekar 1400, 1400x700 mm, uten ben, m/bunnventil og utløpsrør</p> <p>Halvfrontstativ Halvfrontstativ m/front og gavll</p> <p>1400 Badekar med glazepluss 1400 Badekar med antisklibehandling 1400 Badekar med borehull for to støttehåndtak</p> <p>To støttehåndtak</p>	6030204	GB2114000100	4899	6124	
		6031744 6031751	GB2174140100 GB2164140100	3140 3462	3925 4328	
		GB2114000113 GB2114000112 GB2114000111	7.006 7.006 7.006	8.758 8.758 8.758		
		GB208B080901	2.529	3.161		
		<p>Badekar Kombi 1504, 1500x700 mm, uten ben, m/bunnventil og utløpsrør, hvitt</p> <p>Halvfrontstativ m/front og gavll Halvfrontstativ m/front og gavll</p> <p>1504 Badekar med glazepluss 1504 Badekar med antisklibehandling 1504 Badekar med borehull for to støttehåndtak</p> <p>To støttehåndtak</p>	6031741	GB2115040100	5127	6409
			6031745 6031752	GB2174150100 GB2164150100	3140 3462	3925 4328
GB2115040113 GB2115040112 GB2115040111			7.242 7.242 7.242	9.052 9.052 9.052		
GB208B080901			2.529	3.161		

	NRF. NR.	ART. NR.	VEIL. PRIS EKS. MVA.	VEIL. PRIS INKL. MVA.	
<p>Badekar Kombi 1574, 1570x700 mm uten ben, m/bunnventil og utløpsrør</p> <p>Hvitt</p> <p>Helfrontstativ m/front og gavl, hvitt Helfrontstativ m/front og gavl, sort</p> <p>Halvfrontstativ m/front og en gavl</p> <p>1574 Badekar med glazepus 1574 Badekar med antisklibehandling 1574 Badekar med borehull for to støttehåndtak</p> <p>To støttehåndtak</p>	6031739	GB2115740100	6105	7631	
	6031746	GB2174160100	3140	3925	
	6031747	GB2174165600	4378	5473	
	6031753	GB2164160100	3462	4328	
		GB2115704113	8.222	10.278	
		GB2115704112	8.222	10.278	
		GB2115704111	8.222	10.278	
		GB208B080901	2.529	3.161	
	<p>Badekar Kombi 1604, 1600x700 mm, komplett uten ben, m/bunnventil og utløpsrør, hvit.</p> <p>Helfrontstativ m/front og gavl, hvit Helfrontstativ m/front og gavl, sort</p> <p>Halvfrontstativ m/front og gavl, hvit</p> <p>1604 Badekar med glazepus 1604 Badekar med antisklibehandling 1604 Badekar med borehull for to støttehåndtak</p> <p>To støttehåndtak</p>	6031738	GB2116040100	4553	5691
		6031746	GB2174160100	3140	3925
6031747		GB2174165600	4378	5473	
6031753		GB2164160100	3462	4328	
		GB2116040113	6.395	7.993	
		GB2116040112	6.395	7.993	
		GB2116040111	6.395	7.993	
		GB208B080901	2.529	3.161	
<p>1603 Duokar 1600x700mm uten ben, m/bunnventil og utløpsrør</p> <p>Helfrontstativ m/front og gavl, hvit Helfrontstativ m/front og gavl, sort</p> <p>Halvfrontstativ m/front og gavl, hvit</p> <p>1603 Badekar med glazepus 1603 Badekar med antisklibehandling 1603 Badekar med borehull for to støttehåndtak</p> <p>To støttehåndtak</p>		6030215	GB2116030100	10082	12603
		6031746	GB2174160100	3140	3925
	6031747	GB2174165600	4378	5473	
	6031753	GB2164160100	3462	4328	
		GB2116030113	12.153	15.191	
		GB2116030112	12.153	15.191	
		GB2116030111	12.153	15.191	
		GB208B080901	2.529	3.161	

	NRF. NR.	ART. NR.	VEIL. PRIS EKS. MVA.	VEIL. PRIS INKL. MVA.	
	1607 Kombikar 1600x700mm uten ben, med bunnventil og utløpsrør	6030221	GB2116070100	14171	17714
	Helfrontstativ m/front og gavl, hvit Helfrontstativ m/front og gavl, sort	6031746 6031747	GB2174160100 GB2174165600	3140 4378	3925 5473
	Halvfrontstativ m/front og gavl, hvit	6031753	GB2164160100	3462	4328
	1607 Badekar med glazeplus 1607 Badekar med antisklibehandling 1607 Badekar med borehull for to støttehåndtak		GB2116070113 GB2116070112 GB2116070111	16.276 16.276 16.276	20.345 20.345 20.345
	To støttehåndtak		GB208B080901	2.529	3.161
	1707 Badekar 1700x700mm. Hvitt. uten ben, m/bunnventil og utløpsrør	6030222	GB2117070100	14171	17714
	Helfrontstativ med en front og en gavl	6031748	GB2174170100	3140	3925
	1707 Badekar med glazeplus 1707 Badekar med antisklibehandling 1707 Badekar med borehull for to støttehåndtak		GB2117070113 GB2117070112 GB2117070111	16.276 16.276 16.276	20.345 20.345 20.345
	To støttehåndtak		GB208B080901	2.529	3.161
		1700 Badekar 1700x700 mm uten benstilling med bunnventil	6030217	GB2117000100	5280
7017 Helfrontstativ med en front og en gavl		6031748	GB2174170100	3140	3925
1700 Badekar med glazeplus 1700 Badekar med antisklibehandling 1700 Badekar med borehull for to støttehåndtak			GB2117000113 GB2117000112 GB2117000111	7.388 7.388 7.388	9.235 9.235 9.235
To støttehåndtak			GB208B080901	2.529	3.161
		1051 Sittebadekar 1050x650 mm. Hvitt. uten ben, m/bunnventil og utløpsrør.	6030201 6031742	GB2110510100 GB2174100100	7038 4238
	Helfrontstativ med en front og en gavl				
	1051 Badekar med glazeplus 1051 Badekar med antisklibehandling		GB2110510113 GB2110510112	9.144 9.144	11.430 11.430

Frittstående badekar i emaljert stål



1571 Badekar. 1570x700 mm
uten stativ med oppløftsventil

1016 Stativ med justerbare ben
1051 Badekar med glazeplus

NRF. NR.

ART. NR.

VEIL. PRIS
EKS. MVA.

VEIL. PRIS
INKL. MVA.

6030232

GB2115710100

6110

7638

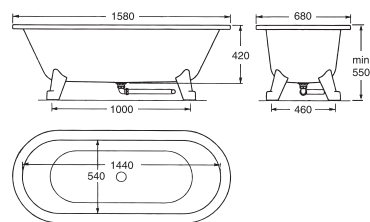
6030233

GB2110160100
GB2115710113

2257
8.219

2821
10.274

BADEKAR



6316 Frittstående badekar, 1580x680 mm
Perfect White, inklusiv hvite ben,
forkrommet bunnventil, hvitt avløpsrør

6316 Frittstående badekar, 1580x680 mm
Perfect White, uten ben, med forkrommet
bunnventil og hvitt avløpsrør

Badekar i Sinful Black, 1580x680 mm
uten ben, med forkrommet bunnventil,
hvitt avløpsrør

*Løse ben for komplettering av kar
OBS! Bestill to par pr kar*

Perfect White ben, par

Sinful Black ben, par

Classy Chrome ben, par

6316 hvitt, med hvite ben. Med glazeplus,
forkrommet bunnventil, hvitt avløpsrør

Med antisklibehandling, forkrommet
bunnventil, hvitt avløpsrør

Med antisklibehandling, forkrommet
bunnventil, hvitt avløpsrør

6316 sort, uten ben. Med glazeplus,
forkrommet bunnventil, hvitt avløpsrør

Med antisklibehandling, forkrommet
bunnventil, hvitt avløpsrør

To støttehåndtak

6030273

GB2063160101

13051

16314

6030276

GB2063160001

11336

14170

6030462

GB2063165601

14429

18036

6031844

GB2921200353

1116

1395

6031843

GB2921200359

1116

1395

6031842

GB2921200358

3008

3760

GB2063160113

15.160

18.950

GB2063160112

15.160

18.950

GB2063160012

13.445

14.899

GB2063165613

16.534

20.668

GB2063165612

16.534

20.668

GB208B080901

2.529

3.161

	NRF. NR.	ART. NR.	VEIL. PRIS EKS. MVA.	VEIL. PRIS INKL. MVA.
<p>6368 Frittstående badekar, 680x730 mm med ben i Perfect White, med forkrommet bunnventil, hvitt avløpsrør</p> <p>6368 Frittstående badekar uten ben 1680x730 mm, med forkrommet bunnventil, hvitt avløpsrør</p> <p>Badekar i Sinful Black, 1580x680 mm uten ben, med forkrommet bunnventil, hvitt avløpsrør</p> <p><i>Løse ben for komplettering av kar</i> <i>OBS! Bestill to par pr kar.</i></p> <p>Perfect White ben, par Sinful Black ben, par Classy Chrome ben, par</p> <p>6368 hvitt, med ben i Perfect White med glazeplus, forkrommetbunnventil, hvitt avløpsrør</p> <p>Med antisklihandling, forkrommet bunnventil, hvitt avløpsrør</p> <p>6368 hvitt, uten ben* Med glazeplus, forkrommet bunnventil, hvitt avløpsrør</p> <p>Med antisklibehandling, forkrommet bunnventil, hvitt avløpsrør</p> <p>6368 Sinful Black, uten ben* Med glazeplus, forkrommet bunnventil, hvitt avløpsrør</p> <p>Med antisklibehandling, forkrommet bunnventil, hvitt avløpsrør</p> <p>To støttehåndtak</p>	6030264	GB2063680101	13783	17229
	6030277	GB2063680001	11719	14649
	6030461	GB2063685601	15145	18931
	6031844	GB2921200353	1116	1395
	6031843	GB2921200359	1116	1395
	6031842	GB2921200358	3008	3760
		GB2063680113	15.888	19.860
		GB2063680112	15.888	19.860
		GB2063680013	13.825	17.281
		GB2063680012	13.825	17.281
	GB2063685613	17.281	21.601	
	GB2063685612	17.281	21.601	
	GB208B080901	2.529	3.161	

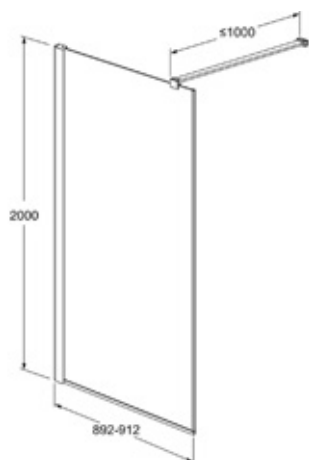
Innbyggingsbadekar i emaljert stålplate

	NRF. NR.	ART. NR.	VEIL. PRIS EKS. MVA.	VEIL. PRIS INKL. MVA.
	6030246	GB2083400100	6022	7528
	6030259	GB208B231500	511	639
<p>3400 Badekar for innbygging, 1400x700 mm</p> <p>Ben til badekar for innbygging</p> <p>Overløpssystem</p> <p>Propp og vrider</p> <p>Komplett overløpssystem Plus5 med propp og vrider</p>	6031722	GB2924300155	1076	1345
	6031723	GB2924300156	388	485
		GB208B619901	4.895	6.119
<p>3400 badekar for innbygging uten ben</p> <p>Med glazeplus</p> <p>Med antisklibehandling</p> <p>Med borehull for støttehåndtak</p>		GB2083400113	8.078	10.099
		GB2083400112	8.078	10.099
		GB2083400111	8.078	10.099
<p>To støttehåndtak</p>		GB208B080901	2.529	3.161
	6030247	GB2083500100	4094	5118
	6030259	GB208B231500	511	639
<p>3500 Badekar for innbygging, 1500x700 mm</p> <p>Ben til badekar for innbygging</p> <p>Overløpssystem</p> <p>Propp og vrider</p> <p>Komplett overløpssystem Plus5 med propp og vrider</p>	6031722	GB2924300155	1076	1345
	6031723	GB2924300156	388	485
		GB208B619901	4.895	6.119
<p>3500 badekar for innbygging uten ben</p> <p>Med glazeplus</p> <p>Med antisklibehandling</p> <p>Med borehull for støttehåndtak</p>		GB2083500113	6.150	7.688
		GB2083500112	6.150	7.688
		GB2083500111	6.150	7.688
<p>To støttehåndtak</p>		GB208B080901	2.529	3.161
	6030248	GB2083600100	4094	5118
	6030259	GB208B231500	511	639
<p>3600 Badekar for innbygging, 1600x700 mm</p> <p>Ben til badekar for innbygging</p> <p>Overløpssystem</p> <p>Propp og vrider</p> <p>Komplett overløpssystem Plus5 med propp og vrider</p>	6031722	GB2924300155	1076	1345
	6031723	GB2924300156	388	485
		GB208B619901	4.895	6.119
<p>3600 badekar for innbygging uten ben</p> <p>Med glazeplus</p> <p>Med antisklibehandling</p> <p>Med borehull for støttehåndtak</p>		GB2083600113	6.150	7.688
		GB2083600112	6.150	7.688
		GB2083600111	6.150	7.688
<p>To støttehåndtak</p>		GB208B080901	2.242	2.803
	6030249	GB2083970100	5235	6544
	6030259	GB208B231500	511	639
<p>3970 Badekar for innbygging, 1700x700 mm</p> <p>Ben til badekar for innbygging</p> <p>Overløpssystem</p> <p>Propp og vrider</p> <p>Komplett overløpssystem Plus5 med propp og vrider</p>	6031722	GB2924300155	1076	1345
	6031723	GB2924300156	388	485
		GB208B619901	4.895	6.119
<p>3970 badekar for innbygging uten ben</p> <p>Med antisklibehandling</p> <p>Med borehull for støttehåndtak</p>		GB2083970112	7.293	9.116
		GB2083970111	7.293	9.116
<p>To støttehåndtak</p>		GB208B080901	2.529	3.161

	NRF. NR.	ART. NR.	VEIL. PRIS EKS. MVA.	VEIL. PRIS INKL. MVA.
	1220 Duocar for innbygging, 1600x700 mm Ben til badekar for innbygging Overløpssystem Propp og vrider Komplett overløpssystem Plus5 med propp og vrider	6030251 GB2081220100 6030259 GB208B231500 6031722 GB2924300155 6031723 GB2924300156 GB208B619901	9563 511 1076 388 4.895	11954 639 1345 485 6.119
	1220 badekar for innbygging uten ben Med glazeplus Med antisklibehandling Med borehull for støttehåndtak To støttehåndtak		GB2081220113 GB2081220112 GB2081220111 GB208B080901	11.617 11.617 2.529
	1380 Duocar for innbygging, 1700x750 mm Ben til badekar for innbygging Overløp Propp og vrider Komplett overløpssystem Plus5 med propp og vrider	6030252 GB2081380100 6030259 GB208B231500 6031722 GB2924300155 6031723 GB2924300156 GB208B619901	9563 511 1076 388 4.895	11954 639 1345 485 6.119
	1380 badekar for innbygging uten ben Med glazeplus Med antisklibehandling Med borehull for støttehåndtak To støttehåndtak		GB2081380113 GB2081380112 GB2081380111 GB208B080901	11.617 11.617 11.617 2.529
	3410 Badekar for innbygging, 1600x700 med mer Ben til badekar for innbygging Overløpssystem Plus5 To støttehåndtak	6030253 GB2083410100 6030259 GB208B231500 GB208B619901 GB208B080901	9563 511 4.895 2.529	11954 639 6.119 3.161
	3411 Badekar for innbygging, 1700x700 mm Ben til badekar for innbygging Overløpssystem Plus5 To støttehåndtak	6030254 GB2083411100 6030259 GB208B231500 GB208B619901 GB208B080901	9563 511 4.895 2.529	11954 639 6.119 3.161
	6830 Badekar for innbygging, 1800x800 mm Ben til badekar for innbygging Overløpssystem Propp og vrider To støttehåndtak	6030255 GB2086830100 6030259 GB208B231500 6031722 GB2924300155 6031723 GB2924300156 GB208B080901	16511 511 1076 388 2.242	20639 639 1345 485 2.803

	NRF. NR.	ART. NR.	VEIL. PRIS EKS. MVA.	VEIL. PRIS INKL. MVA.
<p>6831 Badekar for innbygging, 1900x900 mm Ben til badekar for innbygging Overløpssystem Propp og vrider</p> <p>To støttehåndtak</p>	6030256 6030259 6031722 6031723	GB2086831100 GB208B231500 GB2924300155 GB2924300156	20041 511 1076 388	25051 639 1345 485
<p>2570 Badekar for innbygging 157x700 mm</p> Venstre Ben til badekar for innbygging Overløpssystem Propp og vrider <p>To støttehåndtak</p>	6030257 6030259 6031722 6031723	GB2082570100 GB208B231500 GB2924300155 GB2924300156	9790 511 1076 388	12238 639 1345 485
<p>2580 Badekar for innbygging 1570x700 mm</p> Høyre Ben til badekar for innbygging Overløpssystem Propp og vrider <p>To støttehåndtak</p>	6030258 6030259 6031722 6031723	GB2082580100 GB208B231500 GB2924300155 GB2924300156	9790 511 1076 388	12238 639 1345 485
Tilvalg Skandic blandebatteri montert på badekarkanten				
<p>Skandic termostatbatteri Med uttrekkbar håndduj Multiplex Trio, fylling via overløp</p>	6030265 6030267	GB41217143 U90600361	5051 4812	6314 6015
<p>Skandic termostatbatteri Med uttrekkbar håndduj Tut</p>	6030265 6030266	GB41217143 GB41638390	5051 421	6314 526
<p>Håndtak (angì plassering ved bestilling)</p> <p>2 stk.</p>		GB208B080901	2.529	3.161

Slagdører	NRF. NR.	ART. NR.	VEIL. PRIS EKS. MVA.	VEIL. PRIS INKL. MVA.	
	Square dusjhjørne for hjørnemontering				
	Square dusjdør, 80 med magnetlist og dørhåndtak	6301501	GB51SRDR80CR	5.118	6.398
	Square dusjdør, 90 med magnetlist og dørhåndtak	6301502	GB51SRDR90CR	5.123	6.404
	Square dusjdør, 100 med magnetlist og dørhåndtak	6301503	GB51SRDR10CR	5.805	7.256
	TILVALG: 20 mm ekstra breddejustering Vendbar for høyre-/venstremontering Forskjellige størrelser kan kombineres med hverandre.	6301663	GB51ACCEXP	675	844
	Round dusjhjørne for hjørnemontering				
	Round dusjdør, 80 med magnetlist og dørhåndtak	6301504	GB51RNDR80CR	5.105	6.381
	Round dusjdør, 90 med magnetlist og dørhåndtak	6301505	GB51RNDR90CR	5.125	6.406
	Round dusjdør, 100 med magnetlist og dørhåndtak	6301506	GB51RNDR10CR	5.816	7.270
	TILVALG: 20 mm ekstra breddejustering Vendbar for høyre-/venstremontering Forskjellige størrelser kan kombineres med hverandre.	6301663	GB51ACCEXP	675	844
Dusjdører for nisjemontering					
	Square dusjdør for nisje, 80				
	Square dusjdør, 80 med magnetlist og dørhåndtak	6301501	GB51SRDR80CR	5.118	6.398
	Square nisjeprofil	6301513	GB51ACCPROF	1.638	2.048
	Square dusjdør for nisje, 90				
	Square dusjdør, 90 med magnetlist og dørhåndtak	6301502	GB51SRDR90CR	5.123	6.404
	Square nisjeprofil	6301513	GB51ACCPROF	1.638	2.048
	Square dusjdør for nisje, 100				
	Square dusjdør, 100 med magnetlist og dørhåndtak	6301503	GB51SRDR10CR	5.805	7.256
	Square nisjeprofil	6301513	GB51ACCPROF	1.638	2.048
	TILVALG: 20 mm ekstra breddejustering Vendbar for høyre-/venstremontering	6301663	GB51ACCEXP	675	844

Fast dusjvegg


Square dusjvegg, 80
 Square dusjvegg, 90
 Square dusjvegg, 100

TILVALG:
 Magnetlist for kombinasjon med 1 stk
 square dusjdør
 Vendbar for høyre-/venstremontering

NRF. NR.

ART. NR.

 VEIL. PRIS
 EKS. MVA.

 VEIL. PRIS
 INKL. MVA.

 6301509
 6301511
 6301512

 GB51SRWL80CR
 GB51SRWL90CR
 GB51SRWL10CR

 5.590
 5.816
 6.046

 6.988
 7.270
 7.558

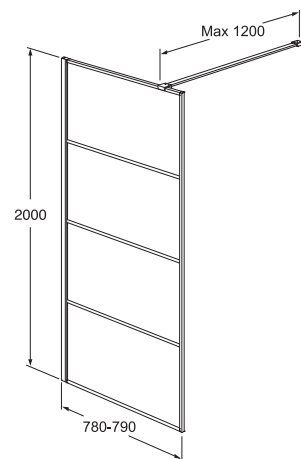
6301664

GB51ACCWLMAG

514

643

DUSJ



**Square dusjvegg i matt sort
 med sprosser på utsiden av glasset**

Square dusjvegg, 80
 Square dusjvegg, 90
 Square dusjvegg, 100
 Square dusjvegg, 120
 Square dusjvegg, 140

 6301514
 6301515
 6301516
 6301517
 6301518

 GB51SRWL80HBL
 GB51SRWL90HBL
 GB51SRWL10HBL
 GB51SRWL12HBL
 GB51SRWL14HBL

 4.780
 5.032
 5.452
 6.124
 6.712

 5.975
 6.290
 6.815
 7.655
 8.390

Badekarvegger


Square badekarsdør

Square badekarsdør, 70
 Square badekarsdør, 80

 6301507
 6301508

 GB51SRBD70CR
 GB51SRBD80CR

 4.861
 5.100

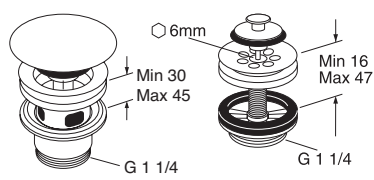
 6.076
 6.375

Nordic³ servantkraner	NRF. NR.	ART. NR.	VEIL. PRIS EKS. MVA.	VEIL. PRIS INKL. MVA.
	4340407	GB41213451	1.043	1.304
	4340408	GB41213461	1.871	2.339
Nordic Plus servantkran				
	4340411	GB41213751	1.052	1.315
	4340409	GB41213761	1.754	2.193

Nye Nautic servantkraner

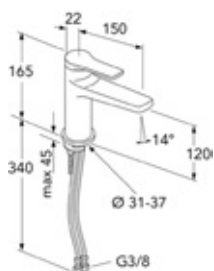
	NRF. NR.	ART. NR.	VEIL. PRIS EKS. MVA.	VEIL. PRIS INKL. MVA.
	4340432 4340433	GB41216047 GB412160470 GB41216047R GB41216043	1.480 1.838 1.680 1.712	1.850 2.297 2.100 2.140
	4340426 4340427	GB41216051 GB41216051R	1.161 1.273	1.451 1.591
	4340428	GB41216147 GB412161470 GB41216151	2.263 2.759 2.155	2.829 3.449 2.694
	4340371 4340434	GB41216045 GB412160450 GB41216045R	2061 2.457 2.181	2.576 3.071 2.726
	4340431	GB41216145 GB412161450	2.726 3.249	3.408 4.061
	4340431	GB41216251	1.543	1.929
	4343054 4342653	GB41636575 01 GB41637445	447 572	559 715

BLANDEBATTERIER
TILBEHØR

 Push-down ventil, Classy Chrome
 Silventil, Classy Chrome


Nye Nautic servantkran Care

	NRF. NR.	ART. NR.	VEIL. PRIS EKS. MVA.	VEIL. PRIS INKL. MVA.
<p>Nye Nautic Care servantkran, energiklasse A</p> <p>Blyfri</p>		GB41216047064	2.198	2.747
<p>Nye Nautic Care servantkran 150 mm utløpstut, energiklasse A</p> <p>Blyfri</p>		GB41216045064	2.568	3.210
<p>TILBEHØR</p> <p>Forlenget spak med hull for funksjons-tilpasning, blyfri</p> <p>Forlenget spak med hull for funksjons-tilpasning, blyfri med fargemerking for varmt og kaldt vann</p> <p>Push-down ventil, Classy Chrome</p> <p>Silventil, Classy Chrome</p>	4342627 4342735 4343054 4342653	GB41637360 01 GB41637363 01 GB41636575 01 GB41637445	416 431 447 572	520 539 559 715
Nye Nautic bidèkran				
<p>Nye Nautic bidèkran med leddet strålesamler med oppløftsventil</p>	4340429	GB41216071	2.285	2.856
Atlantic servantkran				
<p>Atlantic servantkraner</p> <p>Atlantic servantkran</p> <p>Atlantic servantkran, bly fri</p> <p>Atlantic servantkran, med sidedusj</p>	4340377 4340378 4340379	GB41215047 GB41215047 0 GB41215147	1.219 1.585 1.965	1.524 1.981 2.456

Epic servantkraner

Epic servantkran uten bunnventil

Krom
Matt sort
Børstet messing

NRF. NR.

ART. NR.

 VEIL. PRIS
EKS. MVA.

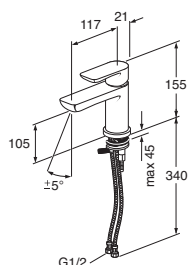
 VEIL. PRIS
INKL. MVA.

4340412
4340414
4340413

GB41219951
GB41219951 53
GB41219951 24

1.703
2.275
3.434

2.129
2.844
4.293

Estetic servantkraner

**Estetic servantkran uten bunnventil
innholder under 0,1% bly**

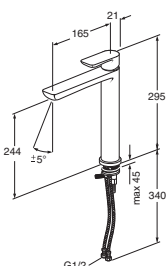
Krom
Sort matt
Hvit matt

4340328
4340399
4340342

GB41218051
GB41218051 53
GB41218051 41

2.403
3.844
3.844

3.004
4.805
4.805


**Estetic servantkran, høy modell passer
som kjøkkenkran eller for servant
som er montert på benkeplate.
Uten bunnventil.**

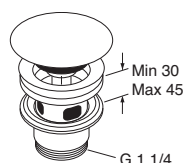
Krom
Sort Matt
Hvit matt

4340349
4340398
4340353

Gb41218251
GB41218251 53
Gb41218251 41

3.424
5.481
5.481

4.280
6.851
6.851


**Estetic push-downventil
med porselenspropp**

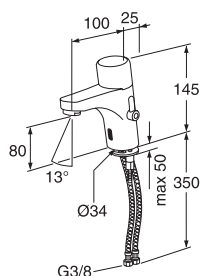
Krom
Hvitt
sort
Hvit matt

4343054
6020278
6020279
6020281

GB41636575 01
GB41636575 25
GB41636575 23
GB41636575 41

447
621
621
828

559
776
776
1.035

Berøringsfrie servantkraner

Nautic berøringsfri servantkran

Uten bunnventil

4340325

GB41214081

3.796

4.745

TILBEHØR

Push-down ventil

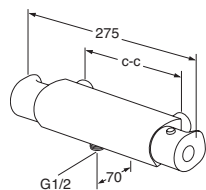
4343054

GB41636575 01

447

559

	NRF. NR.	ART. NR.	VEIL. PRIS EKS. MVA.	VEIL. PRIS INKL. MVA.
<p>Nordic³ dusjkran m/termostat med dusjtilkopling nedover 150 c-c</p> <p>Krom</p>	4341941	GB41215604	1.650	2.063
<p>Nordic³ dusjkran m/termostat med dusjtilkopling oppover 150 c-c</p> <p>Krom</p>	4341942	GB41215624	2.031	2.539
Nautic dusjkran m/termostat				
<p>Nautic vannbesparende dusjkran m/termostat med dusjtilkopling nedover. 150 c-c</p> <p>Krom</p>	4341932	GB41215304	1.650	2.063
<p>Nautic dusjkran m/termostat med dusjtilkopling oppover 150 c-c</p> <p>Krom</p>	4341935	GB41215324	2.031	2.539
<p>Nautic Combi vannbesparende termostat dusjpakke</p> <p>150 c-c.</p> <p>Dusjpakken består av: Blandebatteri: 4341932 Dusjsett krom: 4342896 med slange 1,75 m, veggstang med fester, glider, såpekopp</p>	4341939	GB41215387	2.257	2.821
<p>Dreibar badekartut Passer til dusjkran m/termostater (produsert 01.2013 og senere).</p>	4342781	GB41638760	907	1.134

Atlantic dusjkran m/termostat

Atlantic dusjkran med termostat og dusjtilkoping på undersiden

 150 c-c
 150 c-c Blyfri

NRF. NR.

ART. NR.

 VEIL. PRIS
 EKS. MVA.

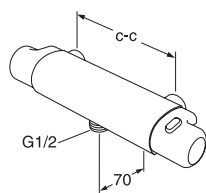
 VEIL. PRIS
 INKL. MVA.

 4341996
 4341997

 GB41215004
 GB41215004 0

 1.731
 2.251

 2.164
 2.814

Logic dusjkran m/termostat

Logic dusjkran m/termostat med dusjtilkoping nedover 150 c-c

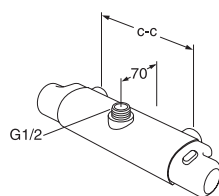
Classy Chrome

4341948

GB41214904

2.212

2.765


Logic dusjkran m/termostat med termostat og dusjtilkoping oppover 150 c-c

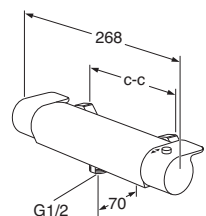
Classy Chrome

4341949

GB41214924

2.212

2.765

Estetic dusjkran m/termostat

Estetic dusjkran m/termostat med dusjtilkobling nedover, 150 c-c

 Krom
 Sort matt
 Hvit matt

 4341975
 4341989
 4341977

 GB41218304
 GB41218304 53
 GB41218304 41

 2.789
 4.516
 4.516

 3.486
 5.645
 5.645

TILBEHØR

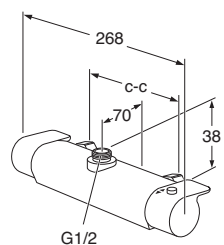
Dekkrosett i sort matt

4342812

GB41639921 02

89

111


Estetic dusjkran m/termostat med dusjtilkobling oppover, 150 c-c

 Krom
 Sort matt
 Hvit matt

 4341982
 4341991
 4143984

 GB41218324
 GB41218324 53
 GB41218324 41

 3.090
 4.977
 4.977

 3.863
 6.221
 6.221

TILBEHØR

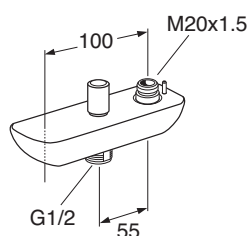
Dekkrosett i sort matt

4342812

GB41639921 02

89

111


Estetic badekartut

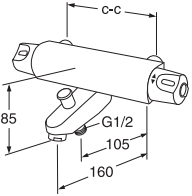
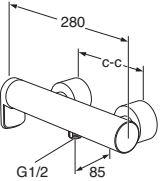
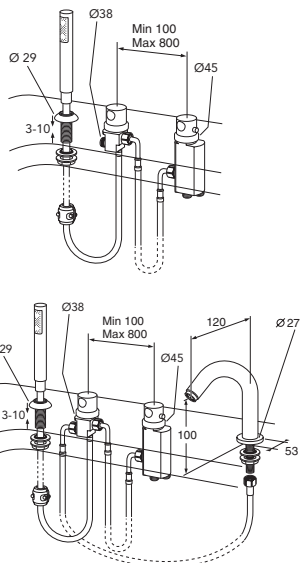
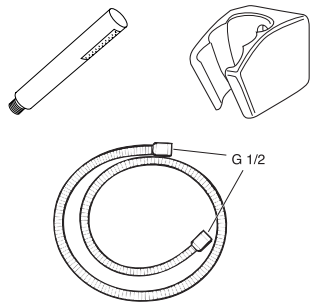
 Krom
 Sort matt
 Hvit matt

 4342798
 4341992
 4342801

 GB41638860
 GB41638860 53
 GB41638860 41

 1.711
 2.567
 2.567

 2.139
 3.209
 3.209

Nautic termostatbatteri til badekar	NRF. NR.	ART. NR.	VEIL. PRIS EKS. MVA.	VEIL. PRIS INKL. MVA.
 <p>Nautic termostat badekarkran, fast badekartut og draomkaster/vender 150 c-c</p> <p>Krom</p> <p>Blandebatteriet består av: Termostat dusjbatteri Badekartut</p>	4341936	GB41215333	2.511	3.139
<p>4341932 4342905</p> <p>GB41215304 GB41636820</p> <p>1.650 713</p> <p>2.063 891</p>				
<p>Estetic ettgreps dusjkran</p>  <p>Estetic dusjkran 150 c-c Dusjtilkobling på undersiden</p> <p>Krom</p>	4341008	GB41218004	2.231	2.789
<p>Skandic blandebatteri montert på badekarkanten</p>  <p>Skandic termostatbatteri med uttrekkbar hånddusj Multiplex Trio, fylling via overløp</p> <p>6030265 6030267</p> <p>GB41217143 U90600361</p> <p>5.051 4.812</p> <p>6.314 6.015</p> <p>Skandic termostatbatteri med uttrekkbar hånddusj Tut</p> <p>6030265 6030266</p> <p>GB41217143 GB41638390</p> <p>5.051 421</p> <p>6.314 526</p>				
<p>Hånddusj med veggfeste</p>  <p>Hånddusj Scandic Slange til hånddusj Veggfeste til hånddusj</p> <p>4342687 4343811 4340714</p> <p>GB41636596 00 GB41636266 00 GB41637575</p> <p>573 168 120</p> <p>716 210 150</p>				

Nautic ettgrepskraner for veggmontering

	NRF. NR.	ART. NR.	VEIL. PRIS EKS. MVA.	VEIL. PRIS INKL. MVA.
<p>Nautic veggkran med spak framover Dusjtilkobling på undersiden og med ekstra vannutløp</p> <p>150 c-c Rett kuleventil med avstengning, for ekstra vannuttak</p>	4340941 4342639	GB41214004 FG079805705	1.607 208	2.009 260
<p>Nautic veggkran med spak nedover Dusjtilkobling på undersiden</p> <p>150 c-c</p>	4340943	GB41214014	2.117	2.646
<p>Nautic veggkran med spak nedover Dusjtilkobling på oversiden og plugget utløp på undersiden</p> <p>150 c-c</p>	4340944	GB41214024	2.268	2.835
Nautic ettgreps badekraner				
<p>Nautic badekran med integrert tut og draomkaster/vender</p> <p>150 c-c Krom</p>	4340945	GB41214023	2.682	3.353

BLANDEBATTERIER

**Utløpstuter | Bunnventiler | Anslutningskoplinger
Eksenterkoplinger | Veggfester**

	NRF. NR.	ART. NR.	VEIL. PRIS EKS. MVA.	VEIL. PRIS INKL. MVA.	
	Utløpstuter og bunnventiler				
	Utløpstut, rett svingbar 85 mm, fkr	4342879	GB41633631	528	660
	Utløpstut, rett svingbar 150 mm, fkr	4342877	GB41633632	528	660
	Utløpstut, rett svingbar 200 mm, fkr	4342878	GB41633633	703	879
	Utløpstut, rett svingbar 250 mm, fkr	4342868	GB41633614	727	909
	Utløpstut, rett svingbar 350 mm, fkr	4342625	GB41633616	930	1.163
	Utløpstut, rett svingbar 400 mm, fkr	4342626	GB41633624	972	1.215
	Utløpstut 945 mm (dobbl. svingbar) f/veggbatteri	4342811	GB41630151	2.026	2.533
	S-tut 150 mm svingbar	4342815	GB41630191	394	493
	S-tut 250 mm svingbar	4342819	GB41630194	535	669
	S-tut 350 mm svingbar	4342975	GB41630197	431	539
		Utløpstut 250 mm svingbar	4342977	GB41630196	431
Omkastrerhus m/draomkastrer f/forskjellige tuter		4342634	GB41637315	761	951
Badekartut m/draomkastrer f/veggbatteri, fkr		4342905	GB41636820	713	891
Svingbar tut m/omkastrerhus L=350		4342917	GB41635270	2.095	2.619
Selvstengende hånddusj m/slange f/veggbatteri		4343335	GB41634210	918	1.148
	Bunnventiler Anslutningskoplinger Eksenterkoplinger Veggfester				
	Silventil m/overløp m/plugg, fkr	4342653	GB41637445	572	715
	"Push down" ventil, fkr	4343054	GB41636575 01	447	559
	Oppløftventil, ekskl. stang, krom	4342638	GB41637450	623	779
	Stang f/oppløftventil 375 mm, krom	4343055	GB41630305	127	159
	Blanderfeste f/utvendig rørføring u/avstengning	4343071	FG0115080	659	824
	Blanderfeste f/skjult rørføring u/avstengning	4343076	FG0115050	363	454
	Blanderfeste f/skjult rørføring f/PEX-rør Dy 15x2,5 fkr	4343102	FG0115061	395	494
	Blanderfeste f/skjult rørføring f/PEX-rør Dy 16x2,2 fkr	4343103	FG0115062	395	494
	Eksenterkupling 3/4" x 1/2". Pr. stk.	4343115	GB41631765 02	300	376
	Rett kobling f/dusjkabinett. Pr. par	6301993	GB41634002	229	286
	Kuleventil rett f/veggbatteri m/e.vannuttak m/foravst.	4342639	FG079805705	208	260
	Vridbar tilkoblingsvinkel f/oppvaskmaskin over benk	4343189	GB41635790 01	634	793
	SoftPEX-slanger 2 stk. L=400mm	4342633	GB41637161 02	213	266
	SoftPEX-slanger 2 stk. L=600 mm	4342643	GB41637164 02	206	258
	Kobberrør 1 stk.	4342632	GB41636424 01	143	179
	"Legionella" dreneringsventil f/mont. mellom batteri/slange	4342641	GB41635944 01	738	923
	Stabiliseringsstag	4342942	GB41638457	226	283

		NRF. NR.	ART. NR.	VEIL. PRIS EKS. MVA.	VEIL. PRIS INKL. MVA.
	Spaker, kranoverdel f/sykehus/handikapbatterier Ettgreps HC spak Nautic. Rød/blå merking Spesialoverdel m/ker.tetn. f/216503 m/160 mm spak Nautic Ratt mengdeside f/termostatbatteri, krom Nautic Ratt temperaturside f/termostatbatteri, krom HC vingspaker f/termostatbatteri, par Forlengt spak til alle Nautic ettgrepskraner, krom	4342627	GB41637360 01	416	520
		4342994	GB41103017 23	300	375
		4342635	GB41637804 01	133	166
		4342636	GB41637810 01	133	166
		4342637 4343366	GB41637840 02 GB41637250	212 289	265 361
Dusjsett					
	Dusjsett I med 1,75 m slange Såpehylle med knagger er inkludert, Krom	4342896	GB41103250	629	786
	Atlantic dusjsett Blyfri dusjkran m/termostat	4341998	GB41215087 0	2.788	3.485
	Round dusjsett med 1,75m slange og hånddusj med 3 funksjoner Krom Matt sort	4342807	GB41103210	919	1.149
		4341999	GB41103210 53	1.149	1.436
	Square dusjsett med 1,75m slange og hånddusj med 3 funksjoner Krom	4342806	GB41103215	919	1.149

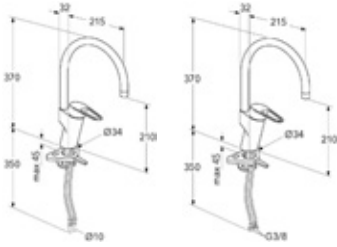

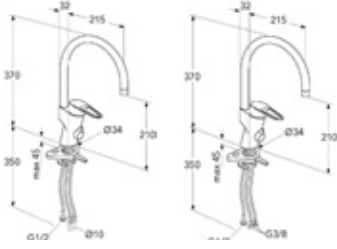

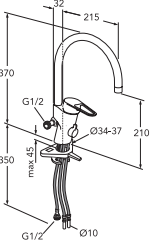
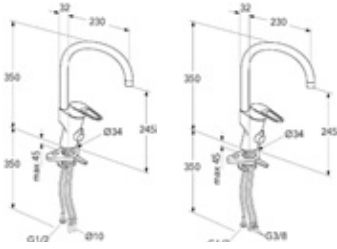
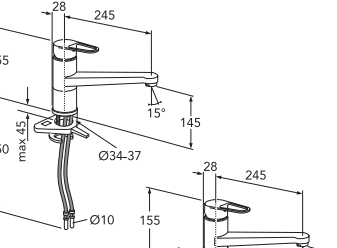
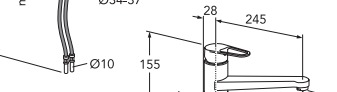
BLANDEBATTERIER

	NRF. NR.	ART. NR.	VEIL. PRIS EKS. MVA.	VEIL. PRIS INKL. MVA.
<p>Dusjsett m/hånddusj og dusjslange 1,75m</p> <p>Pris pr. stk - selges kun som STORPAKK a 15 stk for prosjekt. Delvis ferdig montert.</p>	4342808	GB41103350 15	803	1.004
Faste dusjsett				
<p>Square</p> <p>Dusjsett uten blande batteri Hånddusj m/ 3 forskjellige strålemønstre</p>	4342803	GB41103235	4.414	5.518
<p>Round</p> <p>Dusjsett uten blande batteri Hånddusj m/ 3 forskjellige strålemønstre</p>	4342802	GB41103230	4.414	5.518
<p>Square inkl. Nordic³ dusjkran m/termostat</p> <p>c-c 150 med integrert omkasterfunksjon Hånddusj m/ 3 forskjellige strålemønstre</p>	4341988	GB41215635	5.710	7.138
<p>Round inkl. Nordic³ dusjkran m/termostat</p> <p>c-c 150 med integrert omkasterfunksjon Hånddusj m/ 3 forskjellige strålemønstre</p>	4341987	GB41215630	5.710	7.138

	NRF. NR.	ART. NR.	VEIL. PRIS EKS. MVA.	VEIL. PRIS INKL. MVA.
<p>Square inkl. Nautic dusjkran m/termostat</p> <p>c-c 150 med integrert omkasterfunksjon Håndusj m/ 3 forskjellige strålemønstre</p>	4341986	GB41215335	5.887	7.359
<p>Round inkl. Nautic dusjkran m/termostat</p> <p>c-c 150 med integrert omkasterfunksjon Håndusj m/ 3 forskjellige strålemønstre</p>	4341985	GB41215330	5.887	7.359
<p>Round inkl. Atlantic dusjkran m/termostat</p> <p>c-c 150 med integrert omkasterfunksjon Håndusj m/ 3 forskjellige strålemønstre</p> <p>TILBEHØR</p> <p>Dreibar badekartut m/omkasterfunksjon Såpehylle Forlengelsesrør +400 mm, for økt avstand mellom takdusj og dusjkran</p>	4341951 4342781 4342809	GB41215030 GB41638760 GB41639513 GB41639512	5.977 907 105 308	7.471 1.134 131 385
<p>Square inkl. Estetic dusjkran m/termostat c-c 150 med integrert omkasterfunksjon Håndusj m/ 3 forskjellige strålemønstre</p> <p>Krom Matt sort</p> <p>TILBEHØR</p> <p>Dekkrøsett i sort matt</p>	4341944 4341969 4342812	GB41218335 GB41218335 53 GB41639921 02	6.733 8.852 89	8.416 11.065 111
<p>Round inkl. Estetic dusjkran m/termostat c-c 150 med integrert omkasterfunksjon Håndusj m/ 3 forskjellige strålemønstre</p> <p>Krom Matt sort</p> <p>TILBEHØR</p> <p>Dekkrøsett i sort matt</p>	4341882 4341968 4342812	GB41218330 GB41218330 53 GB41639921 02	6.733 8.852 89	8.416 11.065 111

	NRF. NR.	ART. NR.	VEIL. PRIS EKS. MVA.	VEIL. PRIS INKL. MVA.
	4342712	GB41103216	2.283	2.854
Nordic³ kjøkkenkran				
	4340792	GB41203456	1.558	1.948
	4340793	GB41203496	2.012	2.515

Nye Nautic kjøkkenkran

	NRF. NR.	ART. NR.	VEIL. PRIS EKS. MVA.	VEIL. PRIS INKL. MVA.
 <p>Nye Nautic kjøkkenkran med høy tut, energiklasse B</p> <p>Blyfri Med 3/8 mutter</p>	4340849	GB41206056	1.832	2.290
	4340848	GB412060560 GB41206056R	2.392 1.952	2.990 2.440
 <p>Nye Nautic kjøkkenkran med høy tut, energiklasse C</p> <p>med 3/8 mutter</p>	4340829	GB41206058	1.658	2.072
	4340833	GB41206058R	1.778	2.222
 <p>Nye Nautic kjøkkenkran med høy tut, energiklasse B</p> <p>Med avstengning for oppvaskmaskin Blyfri Med 3/8 mutter</p>	4340846 4340847	GB41206096 GB412060960 GB41206096R	2.392 3.080 2.512	2.990 3.850 3.140
 <p>Nye Nautic kjøkkenkran med høy tut, energiklasse C</p> <p>Med avstengning for oppvaskmaskin Med 3/8 mutter</p>	4340831 4340843	GB41206098 GB41206098R	2.186 2.306	2.733 2.883
 <p>Nye Nautic kjøkkenkran med høy tut, energiklasse B</p> <p>Med montert tilkobling for benkeplateoppvaskmaskin</p>		GB412060966	2.741	3.426
 <p>Nye Nautic kjøkkenkran med høy D-tut, energiklasse C</p> <p>Med avstengning for oppvaskmaskin Med 3/8 mutter</p>	4340832 4340835	GB41206097 GB41206097R	2.240 2.360	2.800 2.950
 <p>Nye Nautic kjøkkenkran med lav tut, energiklasse B</p> <p>Blyfri</p>	4340852	GB412060550	2.150	2.687
 <p>Nye Nautic kjøkkenkran med lav tut, energiklasse C</p> <p>Med 3/8 mutter</p>	4340838 4340839	GB41206055 GB41206055R	1.684 1.804	2.105 2.255

BLANDEBATTERIER

	NRF. NR.	ART. NR.	VEIL. PRIS EKS. MVA.	VEIL. PRIS INKL. MVA.
<p>Nye Nautic kjøkkenkran med lav tut, energiklasse B med avstengning for oppvaskmaskin</p> <p>Blyfri</p>	4340851	GB412060950	2.334	2.918
<p>Nye Nautic kjøkkenkran med lav tut, energiklasse C</p> <p>Med avstengning for oppvaskmaskin Med 3/8 mutter</p>	4340836 4340837	GB41206095 GB41206095R	2.186 2.306	2.733 2.883
Nye Nautic Care kjøkkenkran				
<p>Nye Nautic Care kjøkkenkran med høy tut, energiklasse B forlenget spak for funksjonstilpasning</p> <p>Blyfri</p>		GB41206056064	2.466	3.082
<p>Nye Nautic Care kjøkkenkran med høy tut, energiklasse B forlenget spak for funksjonstilpasning, med avsteng for oppvaskmaskin</p> <p>Blyfri</p>		GB41206096064	2.952	3.690
<p>Nye Nautic Care kjøkkenkran med lav tut, energiklasse B forlenget spak for funksjonstilpasning</p> <p>Blyfri</p>		GB41206055064	2.466	3.082
<p>Nye Nautic Care kjøkkenkran med lav tut, energiklasse B forlenget spak for funksjonstilpasning, med avsteng for oppvaskmaskin</p> <p>Blyfri</p>		GB41206095064	2.702	3.378

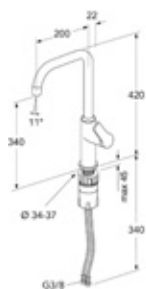
Nordic Plus kjøkkenkran

	NRF. NR.	ART. NR.	VEIL. PRIS EKS. MVA.	VEIL. PRIS INKL. MVA.
	4340801	GB41203756	1.646	2.058
	4340802	GB41203796	1.903	2.379
Nordic Plus Spiraflex kjøkkenkran				
	4340803	GB41203758	3.714	4.643
	4340804	GB41203788	8.538	10.673
	4340805	GB41203782	13.012	16.265

BLANDEBATTERIER

Atlantic kjøkkenkran

	NRF. NR.	ART. NR.	VEIL. PRIS EKS. MVA.	VEIL. PRIS INKL. MVA.
	<p>Atlantic Kjøkkenkran høy tut Atlantic Kjøkkenkran høy tut, blyfri Atlantic Kjøkkenkran høy tut med avstengning, blyfri Atlantic Kjøkkenkran høy tut med avstengning</p>	<p>4341993 GB41205058 4341994 GB41205058 0 4340795 GB41205098 0 4341995 GB41205098</p>	<p>1.739 2.261 2.985 2.297</p>	<p>2.174 2.826 3.731 2.871</p>
	<p>Atlantic kjøkkenkran med elektrisk avstegningsventil</p>	<p>4340683 GB41205086</p>	<p>6.141</p>	<p>7.676</p>
	<p>Atlantic kjøkkenkran med DUO-funksjon</p>	<p>4340708 GB41205082</p>	<p>10.672</p>	<p>13.340</p>

Epic kjøkkenkran

Epic kjøkkenkran

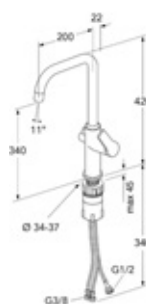
Krom
Matt sort
Børstet messing

NRF. NR.
4340819
4340822
4340821

ART. NR.
GB41209956
GB41209956 53
GB41209956 24

VEIL. PRIS
EKS. MVA.
2.726
3.271
4.622

VEIL. PRIS
INKL. MVA.
3.408
4.089
5.778


Epic kjøkkenkran med avstegning for oppvaskmaskin

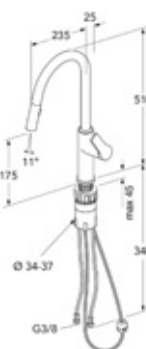
Krom
Matt sort
Børstet messing

4340823
4340825
4340824

GB41209996
GB41209996 53
GB41209996 24

3.271
3.816
5.178

4.089
4.770
6.473


Epic kjøkkenkran med uttrekkbar hånddusj

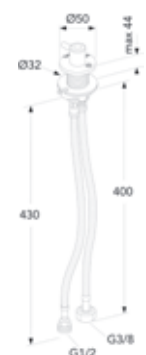
Krom
Matt sort
Børstet messing

4340826
4340828
4340827

GB41209959
GB41209959 53
GB41209959 24

3.543
4.088
4.872

4.429
5.110
6.090


Epic separat avstegningsventil for oppvaskmaskin

Krom
Matt sort
Børstet messing

GB41639755
GB41639755 53
GB41639755 24

1.279
1.644
1.644

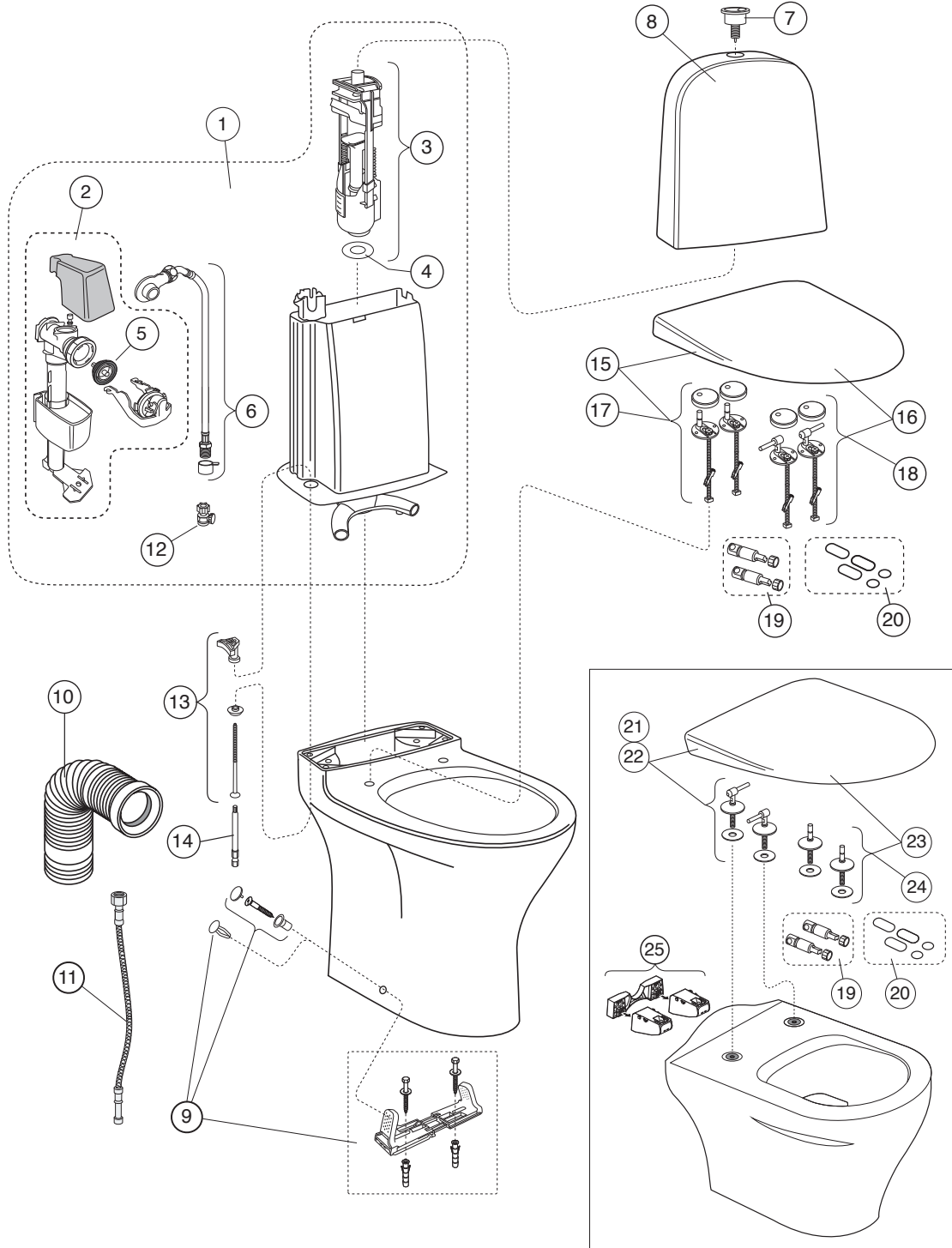
1.599
2.055
2.055

Utekran

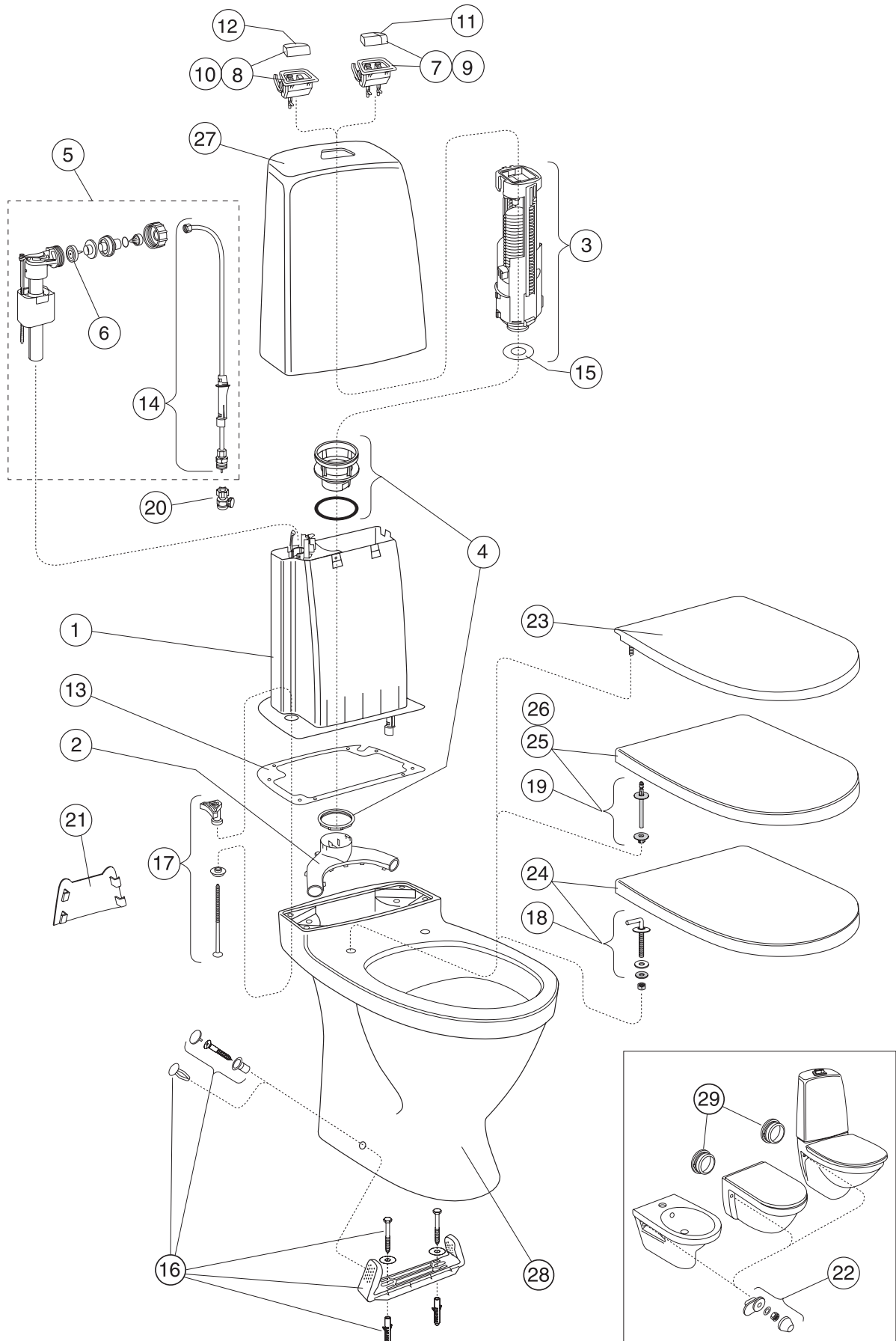
	NRF. NR.	ART. NR.	VEIL. PRIS EKS. MVA.	VEIL. PRIS INKL. MVA.
<p>Frostsikker med typegodkjent tilbakeslagsventil og nøkkel</p> <p>Selvdrenerende, 400mm Butikkpkn. Kartong</p> <p>Selvdrenerende, 400mm Leveres i 10 pkn.</p> <p>Selvdrenerende, 1000mm</p>	4343088	FG0105062	1.042	1.303
	4342954	FG0105060	992	1.240
	4342955	FG0105070	2.304	2.880
<p>Utekran med typegodkjent tilbakeslagsventil og ratt</p> <p>Selvdrenerende, 400mm T-rør med vakuumventil Monteres i røledning foran utekranen</p>	4342956	FG0105061	1.480	1.850
	5080015	FG0640857	780	975



DETALJENUMMER OG PRODUKT	NRF. NR.	ART. NR.	VEIL. PRIS EKS. MVA.	VEIL. PRIS INKL. MVA.
1 Plastsisterne komplett	6025996	GB19299N0100	1.342	1.678
2 Porselensisterne	6025619	GB185580001200	1.343	1.679
3 Utløpsventil	6025983	9GN00100	446	558
4 Innløpsventil komplett	6025984	9GN00200	503	629
5 Vanntilførselsrør	6025994	9GN01000	233	291
6 Membran	6025985	9GN00300	102	128
7 Høy trykknapp duo, krom	6025986	9GN00561	177	221
8 Høy trykknapp enkel, krom	6025988	9GN00661	177	221
9 Lav trykknapp duo, krom	6025987	9GN01161	177	221
10 Skruesett for gulvfeste	6025633	GB1929900365	80	100
11 Bunnventilpakning	6025995	9GN00400	83	104
12 Gulvfeste	6025689	92242500	201	251
13 Sisternebolter	6025622	92226100	168	210
14 Faste hengsler til gammel Nautic sete (UTGÅENDE, RESTLAGER)	6025624	92226461	906	1.132
Faste hengsler til Nautic sete	6026031	92241361	310	388
15 Hengsler til Nautic sete m/ SC/QR	6026032	92241461	574	718
Hengsler til gammel Nautic sete m/ SC/QR (UTGÅTT)				
16 Avstengningsventil	6025675	GB1929900503	149	186
17 Dekkluke for toalett 5500	6025833	GB1929903410	177	221
18 Nautic standard propensete, hvit	6025425	9M246101	275	344
19 Nautic lux-sete i hardplast m/rustfrie fester	6025426	9M256101	827	1.034
20 Nautic lux-sete m/ SC/QR, hvitt	6025427	9M26S101	1.319	1.649
Nautic lux-sete m/ SC/QR, svart	6025428	9M26S136	1.747	2.184
21 Fstedetaljer toalett 5530/5522	6025677	92227401	164	205
Vandalsikker trykknapp	6023009	GB19299NNV36	1.068	1.335



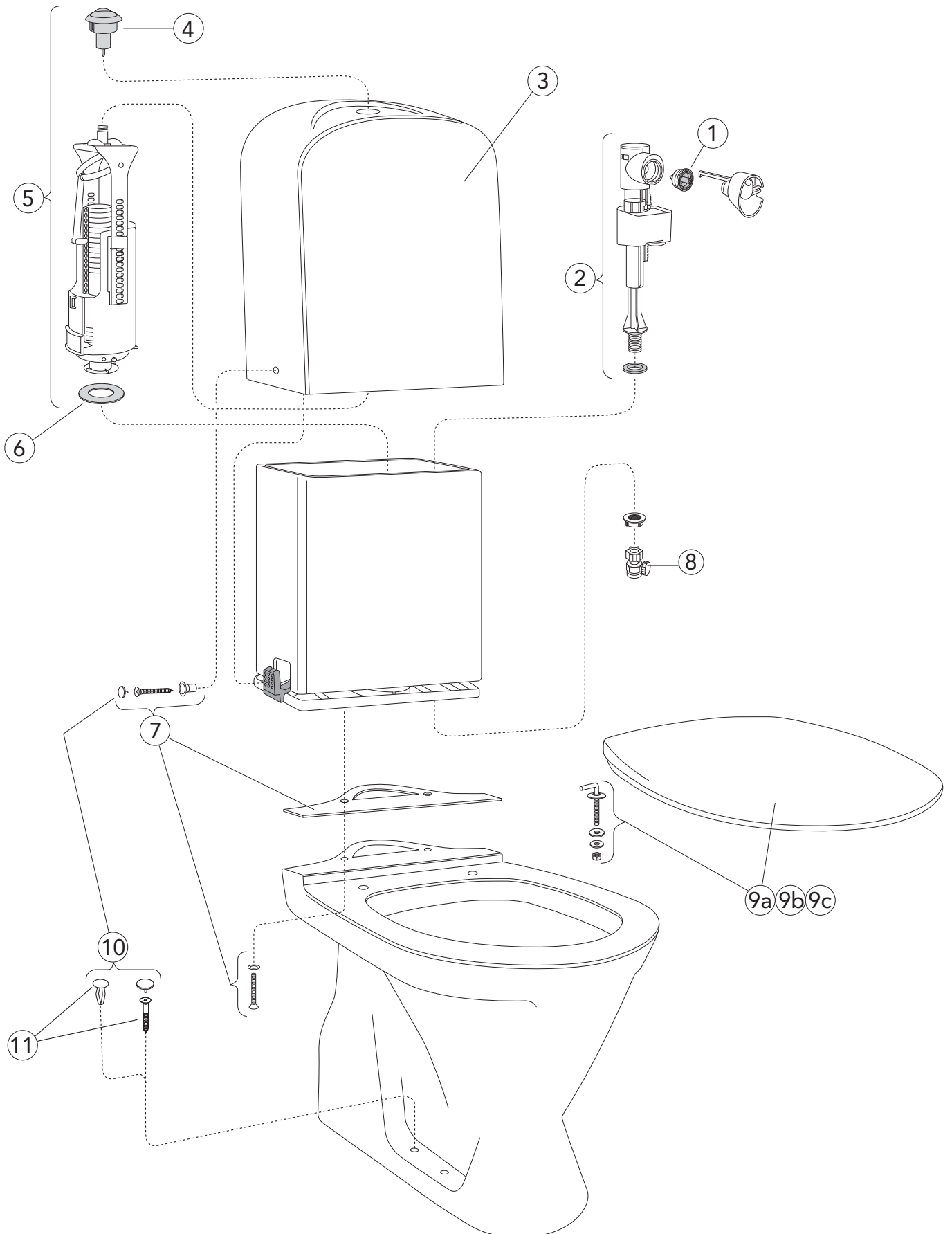
DETALJENUMMER OG PRODUKT	NRF. NR.	ART. NR.	VEIL. PRIS EKS. MVA.	VEIL. PRIS INKL. MVA.
1 Plastsisterne komplett	6025996	GB19299N0100	1.342	1.678
2 Innløpsventil komplett	6025984	9GN00200	503	629
3 Utløpsventil	6025983	9GN00100	446	558
4 Bunnventilpakning	6025995	9GN00400	83	104
5 Membran	6025985	9GN00300	102	128
6 Vanntilførselsrør	6025994	9GN01000	233	291
7 Trykknapp duo, krom		87569961	177	221
8 Sisterne hvit		GB18830001200	1.194	1.493
Sisterne Matt hvit		GB18830041200	2.171	2.714
9 Gulvfeste		92214501	201	251
10 Fleksibel avløpsbend		GB1921101416	440	550
12 Stoppekran	6025675	GB1929900503	149	186
13 Sisternebolter	6025622	92226100	168	210
14 Verktøy, torx TX25x90		FG0639319 01	133	167
17 Hengsler for SC/QR, for gulvtoalett		92213161	574	718
18 Faste hengsler, for gulvtoalett		92213261	310	388
19 Dempere for SC sete		92213300	203	254
20 Støtputer		92243400	47	59
22 Faste hengsler, for veggtoalett		92213061	310	388
24 Hengsler for SC/QR, for veggtoalett		92212261	574	718
25 Suprafix veggfeste for veggtoalett		92226300	342	427
Veggskål		GB83300R1000		



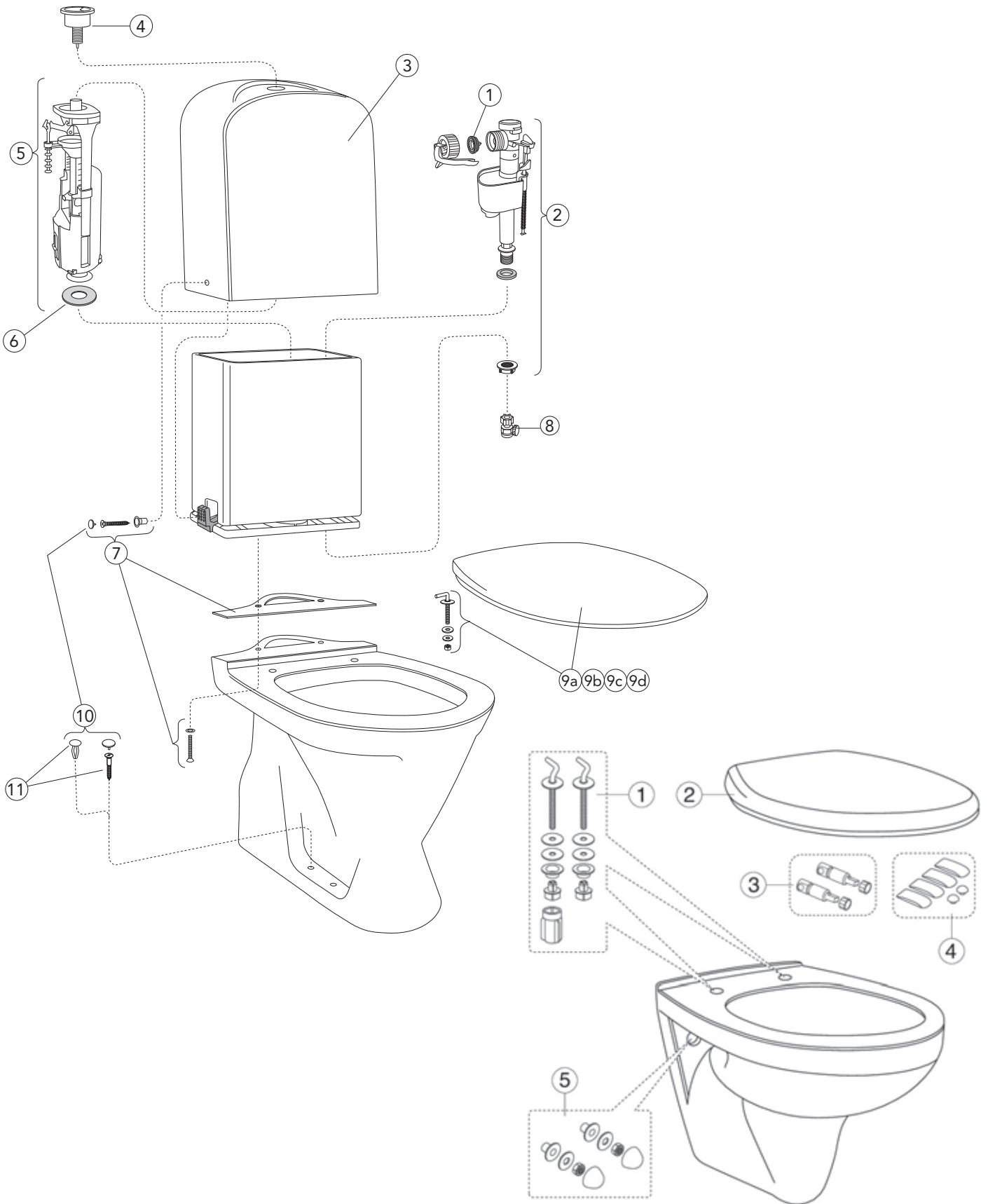
RESERVEDELER



DETALJENUMMER OG PRODUKT	NRF. NR.	ART. NR.	VEIL. PRIS EKS. MVA.	VEIL. PRIS INKL. MVA.
1 Plastsisterne komplett (UTGÅTT)				
2 Spylørør	6025602	GB19299P0101	134	168
3 Utløpsventil	6025603	GB19299P0102	503	629
4 Bunnventilsett	6025604	GB19299P0103	134	168
5 Flottørventil (UTGÅTT)	6025605	GB19299P0105	503	629
6 Membran	6025606	GB19299P0106	100	125
7 Trykknapp duo, hvit, komplett	6025748	GB19299P0108	177	221
8 Trykknapp enkel, hvit, komplett	6025746	GB19299P0109	177	221
9 Trykknapp duo, krom, komplett	6025749	GB19299P0110	177	221
10 Trykknapp enkel, krom, komplett	6025747	GB19299P0111	177	221
11 Trykknapp duo, krom	6025614	GB19299P0112	168	210
12 Trykknapp enkel, krom	6025615	GB19299P0113	168	210
13 Sisternepakning	6025616	GB19299P0114	69	86
14 Innløpsrør	6025617	GB19299P0116	235	294
15 Ventilhuspakning	6025812	GB19299TK962	83	104
16 Gulvfeste	6025689	92242500	201	251
17 Sisternebolter	6025622	92226100	168	210
18 Faste hengsler til Nautic seter	6026031	92241361	310	388
19 Hengsler til Nautic seter m/SC/QR	6026032	92241461	574	718
Støtputer til Nautic seter	6026033	92242001	39	49
Soft Close demper til Nautic seter	6026034	92242400	203	254
20 Avstengningsventil	6025675	GB1929900503	149	186
21 Dekkluke for toalett 5500	6025833	GB1929903410	177	221
22 Festedetaljer toalett 5530/5522	6025677	92207401	164	205
23 Nautic standard propensete, hvit	6025425	9M246101	275	344
24 Nautic lux-sete i hardplast m/rustfrie fester	6025426	9M256101	827	1.034
25 Nautic lux-sete m/SC/QR , h vitt	6025427	9M26S101	1.319	1.649
26 Nautic lux-sete m/SC/QR , svart	6025428	9M26S136	1.747	2.184
27 Porselensisterne	6025619	GB185580001200	1.343	1.679
28 Skål f/5500 (UTGÅENDE, RESTLAGER)	6023641	GB185500001200	3.329	4.161
Skål f/ 5500 med C+ (UTGÅTT)				
Skål f/5510 (UTGÅTT)				
Skål f/5510 med C+ (UTGÅTT)				
29 Gulvfeste for bidé	6025847	GB1929900381	201	251
Nautic Vandalsikker trykknapp, enkelspyling. Rustfritt/svart.	6025669	GB19299NV036	1.068	1.335
Hengsler Nautic HC-seter	6025758	GB88306000	450	563
Lav spyleknapp komplett (1500 Hygienic Flush)		GB19299P0210	177	221
Lav spyleknapp, stor og liten (1500 Hygienic Flush) (UTGÅENDE, RESTLAGER)		GB19299P0212	168	210

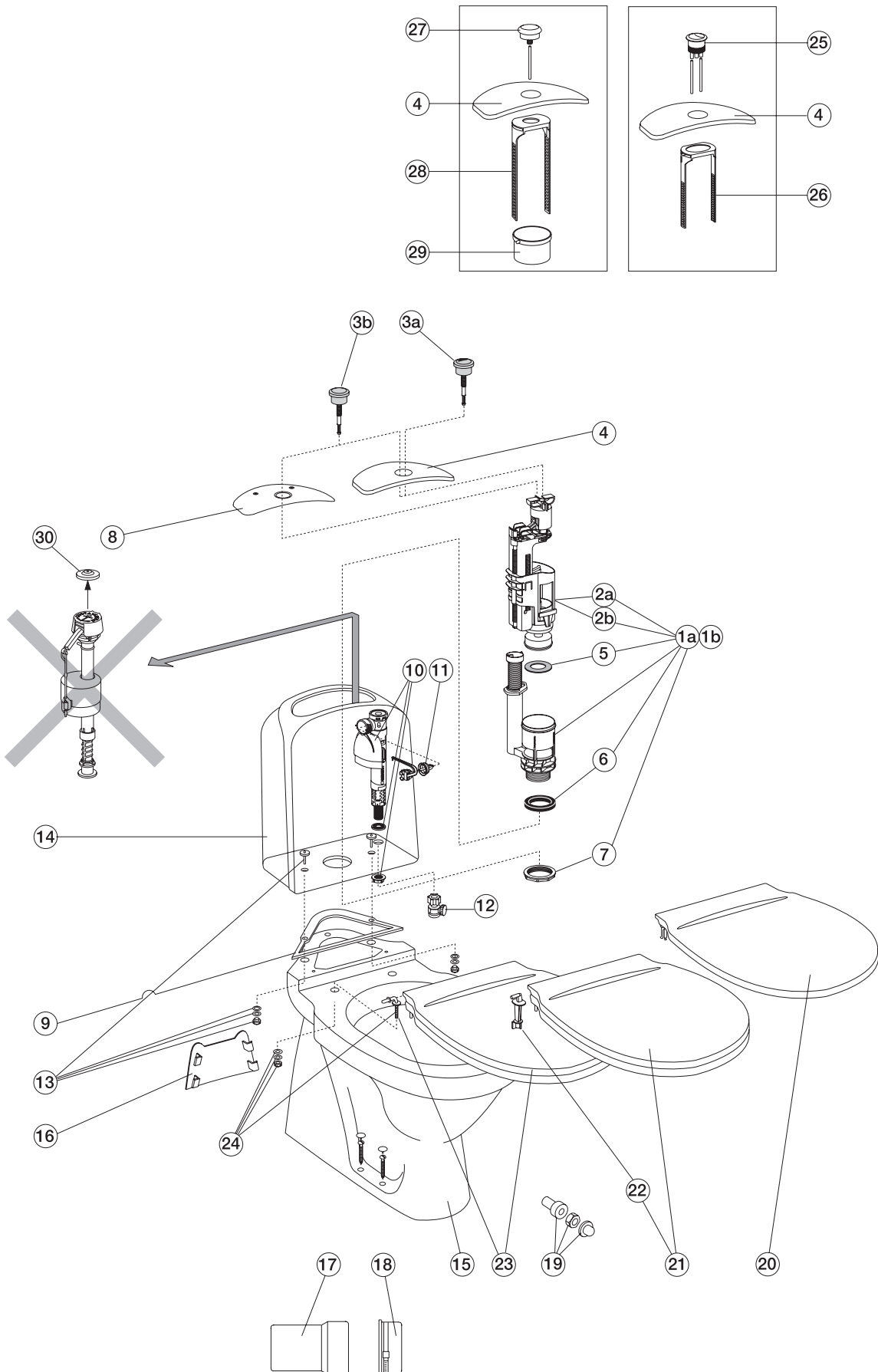


DETALJENUMMER OG PRODUKT	NRF. NR.	ART. NR.	VEIL. PRIS EKS. MVA.	VEIL. PRIS INKL. MVA.
1 Membran		GB19299P0206	138	173
2 Innløpsventil		GB1929901972	588	735
Membran	6026038	9GS01400	138	173
3 Siste		GB184700001200	1.191	1.489
4 Trykknapp		GB19299P0201	212	265
5 Utløpsventil med trykknapp		GB19299P0202	446	558
6 Bunnpakning		GB19299TK962	74	93
7 Skruer og sisternepakning		GB19299P0204	209	261
8 Avstengningsventil	6025675	GB1929900503	132	165
9a Propensete	6025456	9M646101	236	295
9b Sete for Saval 2.0/Nordic ³	6096502	8780G101	642	803
9c Rustfrie hengsler f/Saval 2.0/Nordic ³		92241961	143	179
9d Hengsler SC/QR		92211761	509	636
10 Poser med propper		GB19299P0207	37	46
11 Skruer og lim: 4 skruer, 4 dekkpropper, 4 limpropper	6025633	GB1929900365	71	89



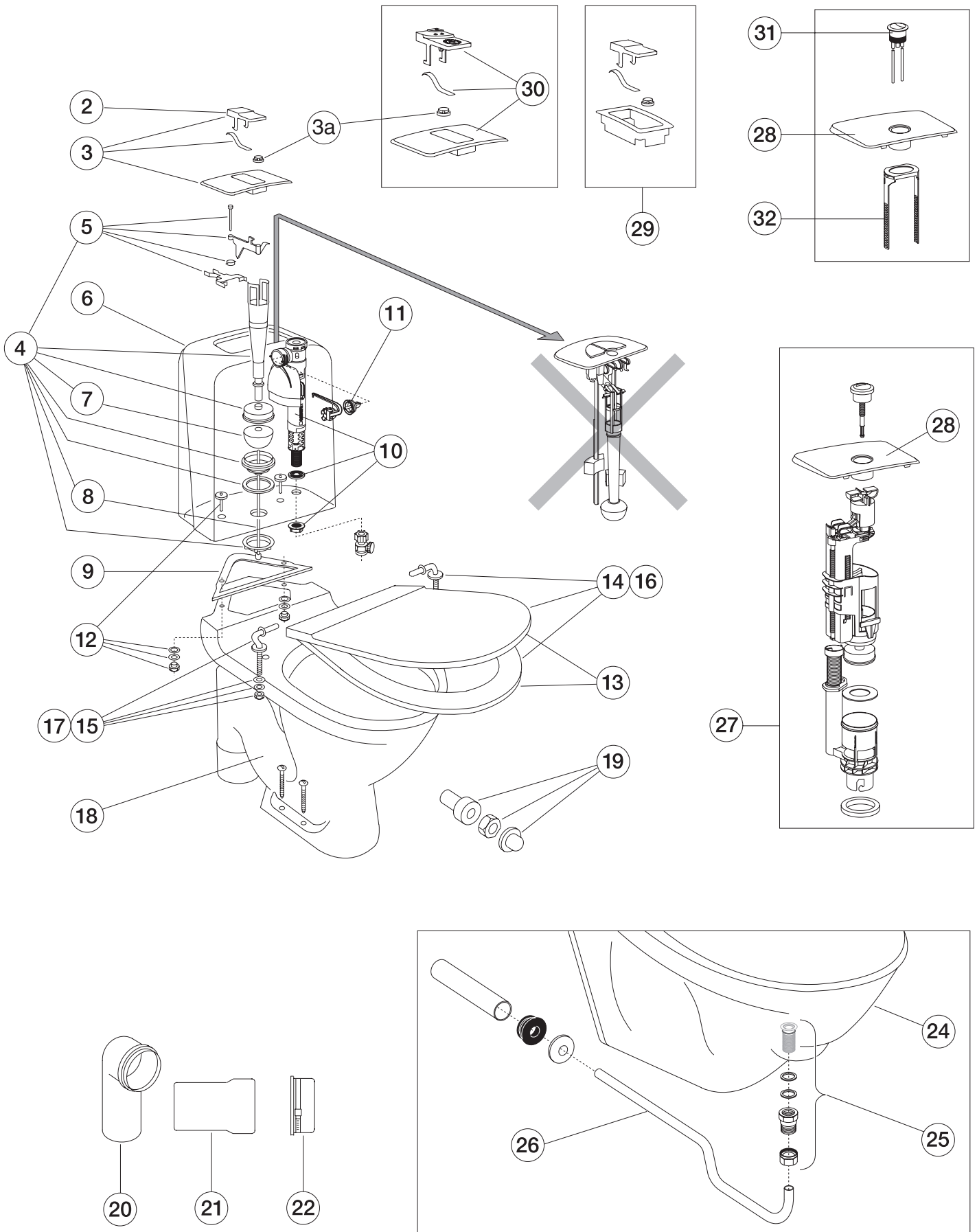
DETALJENUMMER OG PRODUKT	NRF. NR.	ART. NR.	VEIL. PRIS EKS. MVA.	VEIL. PRIS INKL. MVA.
1 Innløpsventil		GB19229901972	663	829
2 Membran	6026038	9GS01400	156	195
3 Sистерne Nordic3		GB184700001200	1.343	1.679
4 Trykknapp	6026035	9GS01561	279	349
5 Ventil Duo	6026036	9GS01600	754	943
4/5 Utløpsventil m/trykknapp		GB19299S2956	1.033	1.291
6 Bunnpakning		9GS01700	45	56
7 Skruer og sisternepakn.		GB19299P0204	236	295
8 Avstengningsventil		GB1929900503	149	186
9a Propensete	6025456	9M646101	266	333
9b Sete for Saval 2.0/Nordic3	6096502	8780G101	724	905
9c Rustfrie hengsler f/Saval 2.0/Nordic3		92241961	161	201
10 Poser med propper		GB19299P0207	42	53
11 Skruerpose gulv: 4 skruer, 4 dekkpropper, 4 limpropper		GB1929900365	80	100

DETALJENUMMER OG PRODUKT	NRF. NR.	ART. NR.	VEIL. PRIS EKS. MVA.	VEIL. PRIS INKL. MVA.
1a Rustfritt stålbeslag for 8780G101, par		92241961	161	201
1b Rustfritt stålbeslag for 8780S101, par		92211761	266	333
2a Toalettsete Nordic3 - Standard PP	6025456	9M646101	236	295
2b Toalettsete Nordic3 Compact - Standard PP	6025477	9M648101	1.277	1.596
2c Toalettsete Nordic3 - Hardtplassete SC/QR	6025471	8780S101	1.132	1.415
2d Toalettsete Nordic3 Compact - Hardtplassete SC/QR	6025475	8780S801	724	905
2e Toalettsete Nordic3 - Hardtplassete, fast	6096502	8780G101	642	803
2f Toalettsete Nordic3 Compact - Hardtplassete, fast	6025476	8780G801	642	803
3 Demper til 8780S101		92246200	553	691
4 Bufferset (UTGÅTT)				
5 Veggmonteringssett		92185901	52	65

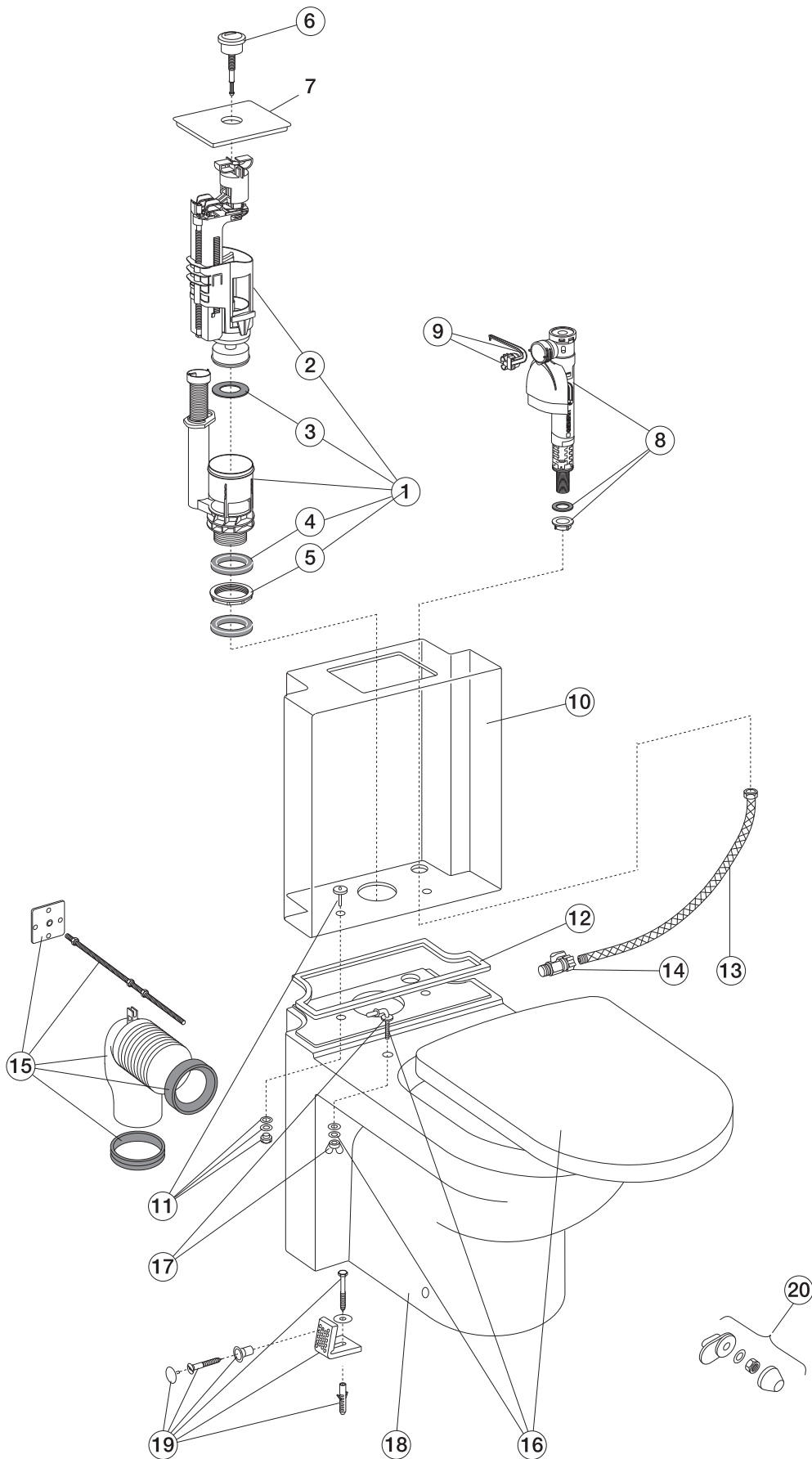


RESERVEDELER

DETALJENUMMER OG PRODUKT	NRF. NR.	ART. NR.	VEIL. PRIS EKS. MVA.	VEIL. PRIS INKL. MVA.
1 Ventil Duo med trykknapp	6026037	GB19299N2953	389	486
3a T2 Trykknapp Duo, krom	6025882	GB19299T2951	239	299
3b T2 Trykknapp Enkel, krom	6025883	GB19299T2952	227	284
4 T2/T1/K sisternelokk, hvit Sisternelokk matt krom f/Nordic Star (UTGÅTT)	6024962	GB19299K1931	201	251
5 T2/T1/K Ventilhuspakning	6025812	GB19299TK962	83	104
6 T2/T1/K bunnventilpakning	6025831	GB19299TK961	79	99
7 T2/T1/K mutter til bunnventil	6025813	GB19299TK960	69	86
8 T2 sisternelokk Public 6 ltr.rustrfritt (UTGÅTT)				
9 Sisternepakning	6026555	GB1929900320	80	100
10 GB Universal flottørventil Membran		9GS01300	588	735
	6026038	9GS01400	156	195
*) GB Flottørventil for sideforbinding	6025896	GB1929901974	756	945
11 GB Membran/hus sett universal		GB19299P0206	156	195
12 Avstengningsventil	6025675	GB1929900503	149	186
13 Sisternebolt	6026527	GB1929900319	190	238
14 Sisterne	6092501	GB182200001200	1.862	2.328
15 Skål 2300, hvit (UTGÅTT) Skål 2300 med C+ (UTGÅTT) Skål 2310, hvit (UTGÅTT) Skål 2310 med C+ (UTGÅTT) Skål 2340, hvit (UTGÅTT) Skål 2340 med C+ (UTGÅTT)				
Skål 2350, hvit (UTGÅENDE, RESTLAGER) Skål 2350 med C+ (UTGÅTT) Skål 2391, hvit (UTGÅTT)	6023603	GB182350001200	5.526	6.908
16 Dekkluke f/2300, 2340 Veggmont.sett f/ 2330 (for ovale bolthull)	6025833 6025677	GB1929903410 92207401	177 164	221 205
20 Nordic standard propensete, hvitt Nordic hardplastsete med soft close, hvitt Nordic hardplasseste m/soft close, sort Nordic lux-sete m/rustfrie fester	6096503 6025507 6025405 6096504	GB1919902002 GB1919902055 GB1919902065 GB1919902070	266 1.319 1.657 1.031	333 1.649 2.071 1.289
22a Rustfrie fester f/hardplastsete(Polypipe)-2007	6025671	GB1911101291	382	478
23 Lift-off setefester (par)	6025684	GB1919901839	217	271
24a Festedetaljer for soft close seter (par)	6025631	GB1919901845	550	688
25 T1 komplett knapp, Duo, fkr.	6025808	GB19299T1951	239	299
26 T1 Festeboyle, Duo	6025807	GB19299T1956	197	246
27 K komplett knapp, enkel, 6 ltr	6025816	GB19299K1951	227	284
28 K festeboyle, enkel, 6 ltr	6025815	GB19299K1956	197	246
29 K adapter, til 6 ltr, Kega till Twico II (gammel utløpsventil) Skruerpose (skruer/plugger/limplugger 4 st) Limplugger f/festehull i foten (4 st) Forhøynings sokkel f/2300 (UTGÅENDE, RESTLAGER) Forhøynings sokker f/2310 (UTGÅENDE, RESTLAGER)	6025798 6025633 6025634 6025701 6025704	GB19299KT959 GB1929900365 GB1929900168 GB1927634600 GB1927569710	116 80 42 1.960 1.960	145 100 53 2.451 2.451
Hengsler Nordic HC-seter	6025759	GB88306051	450	563

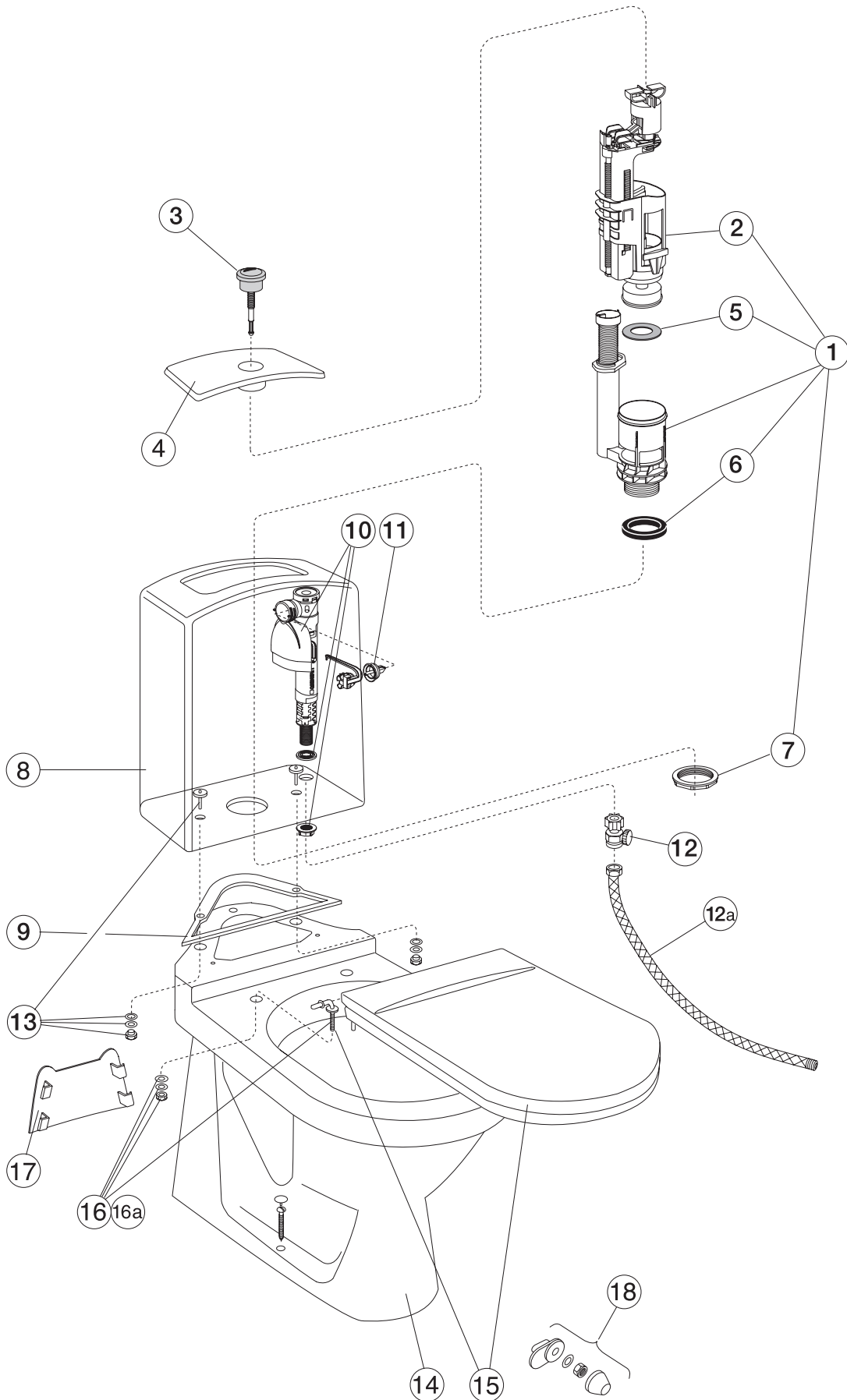


DETALJENUMMER OG PRODUKT	NRF. NR.	ART. NR.	VEIL. PRIS EKS. MVA.	VEIL. PRIS INKL. MVA.
3 ST-17 Sisternelokk med trykknapp, hvit	6026591	GB1929900283	331	414
3a Lokkmutter	6025686	GB1929901545	67	84
4 ST-Bunnventil	6026581	GB1929900282	376	470
5 ST-22 Løfteanordning	6026373	GB1929900209	140	175
6 Sистерne uten lokk, uten armatur	6024346	GB1042900101	1.822	2.278
Ditto til toalett 398	6025756	GB1042980101	2.610	3.263
7 Ventilball Universal	6026212	GB1929900260	115	144
8 ST-2 senterstang	6025845	GB1929900347	85	106
9 Sистерnepakning	6026555	GB1929900320	80	100
10 GB Flottørventil		9GS01300	588	735
Membran	6026038	9GS01400	156	195
*) GB Flottørventil sidekoplet	6025896	GB1929901974	756	945
11 GB Membransett		GB19299P0206	156	195
12 Sистерnebolt	6026527	GB1929900319	190	238
13 Standardsete	6025412	GB1919901702	266	333
14 Hardplastsete (UTGÅTT)				
16 Hardplastsete med rustfrie fester, hvit	6025414	GB1919901950	1.073	1.341
17 Rustfrie fester (par)	6026519	GB1919901831	382	478
18 Skål f/ 339	6025682	GB1043390101	5.987	7.484
Skål f/392/398 P-lås, hvit (UTGÅTT)				
25 Tilkopling f/urinsepareringsrør (UTGÅTT)				
27 Utskifningsventil Nordic Duo	6025793	GB19299N2937	752	940
28 U2/U1 lokk f/utskifningsventil duo, hvit	6025839	GB19299U1931	201	251
29 NT-27 Trykknapp/Ramme, Arctic, hvit**	6026389	GB1929900324	213	266
30 Sisternelokk m/trykknapp til Nordic Duo	6026592	GB1929900361	350	438
31 T1 komplett knapp, Duo	6025808	GB19299T1951	239	299
32 T1 festeboyle, Duo	6025807	GB19299T1956	197	246
Keramisk gummi	6025842	GB1923100802	482	603
Trykknapp for 394 (UTGÅENDE, RESTLAGER)		GB19299S3951	239	299
Utløpsventil for WC 339	6026036	9GS01600	754	943
Trykknapp	6026035	9GS01561	279	349



RESERVEDELER

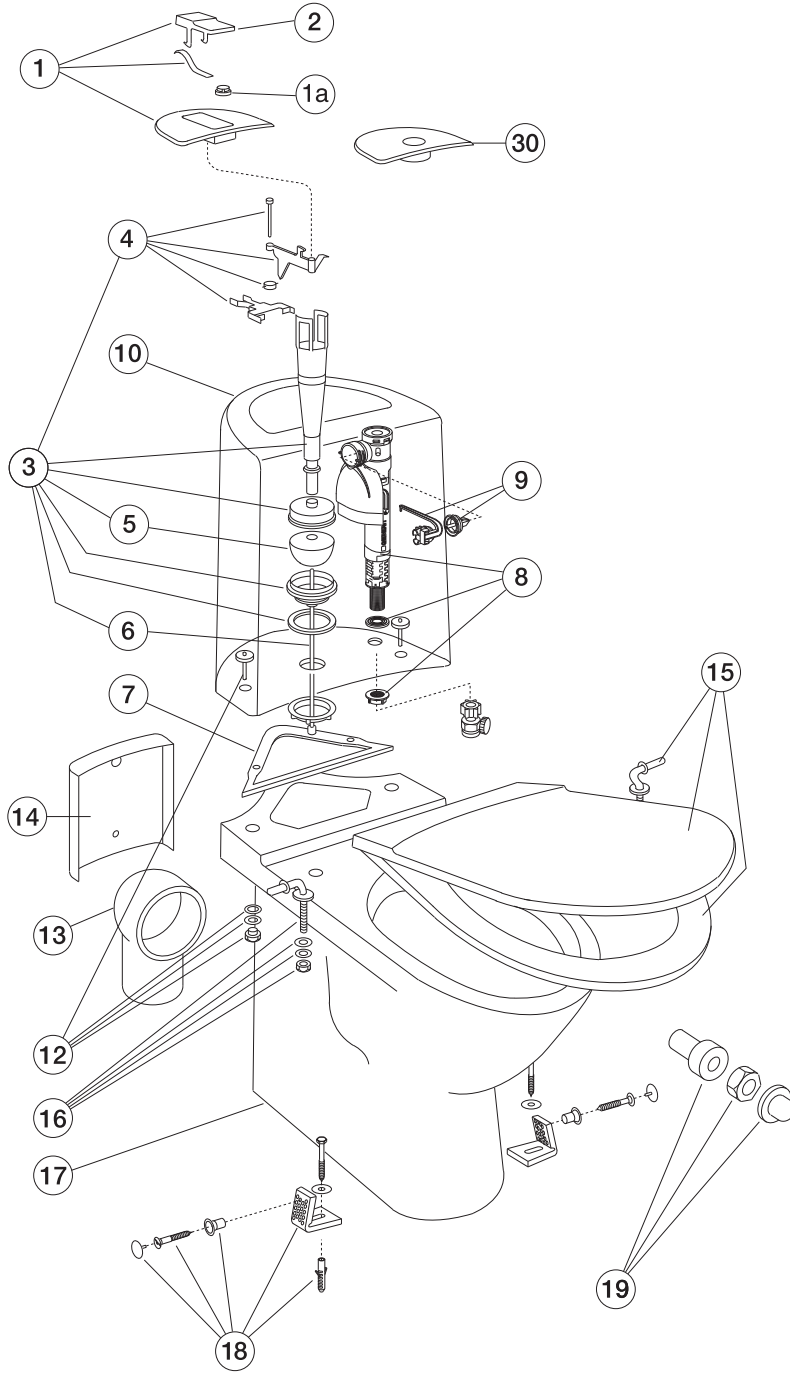
DETALJENUMMER OG PRODUKT	NRF. NR.	ART. NR.	VEIL. PRIS EKS. MVA.	VEIL. PRIS INKL. MVA.
1 Ventil Duo med trykknapp	6026037	GB19299N2953	389	486
3 T1/T2/K Ventilhuspakning	6025812	GB19299TK962	83	104
4 T1/T2/K bunnventilpakning	6025831	GB19299TK961	79	99
5 Mutter til bunnventil	6025813	GB19299TK960	69	86
6 T2 Trykknapp Duo, krom	6025882	GB19299T2951	239	299
7 T2 sisternelokk Artic	6025901	GB1929900500	195	244
8 GB Flottørventil		9GS01300	588	735
Membran	6026038	9GS01400	156	195
9 GB Membransett		GB19299P0206	156	195
10 Sистерne uten lokk og armatur f/4300, 4310	6025906	GB184200001200	2.558	3.198
11 Sистерnebolter	6025905	GB1929900505	182	228
12 Sистерnepakning	6025904	GB1929900504	94	118
13 Fleksibel tilkoplingslange	6025902	GB1929900502	167	209
14 Avstengningsventil	6025675	GB1929900503	149	186
16 Artic hardplastsete med SC/QR, hvitt	6025508	9M16S101	2.018	2.523
Soft close dempere	6026034	92242400	203	254
Soft close / quick release hengsler		92241761	509	636
Artic hardplastsete med SC/QR, sort	6025509	9M16S136	2.491	3.114
18 Skål f/4300/4310 (UTGÅENDE, RESTLAGER)	6025908	GB184310001200	5.595	6.994
Skål f/ 4300/4310 med C+ (UTGÅENDE, RESTLAGER)	6025917	GB1843100R1200	5.258	6.572
19 Gulvfeste	6025847	GB1929900381	201	251
20 Veggmonteringssett f/ 4330, hvit	6025677	92207401	164	205
Utløpsventil for WC 339	6026036	9GS01600	754	943
Trykknapp	6026035	9GS01561	279	349
Ventilhus med trykknapp	6026037	GB19299N2953	389	486



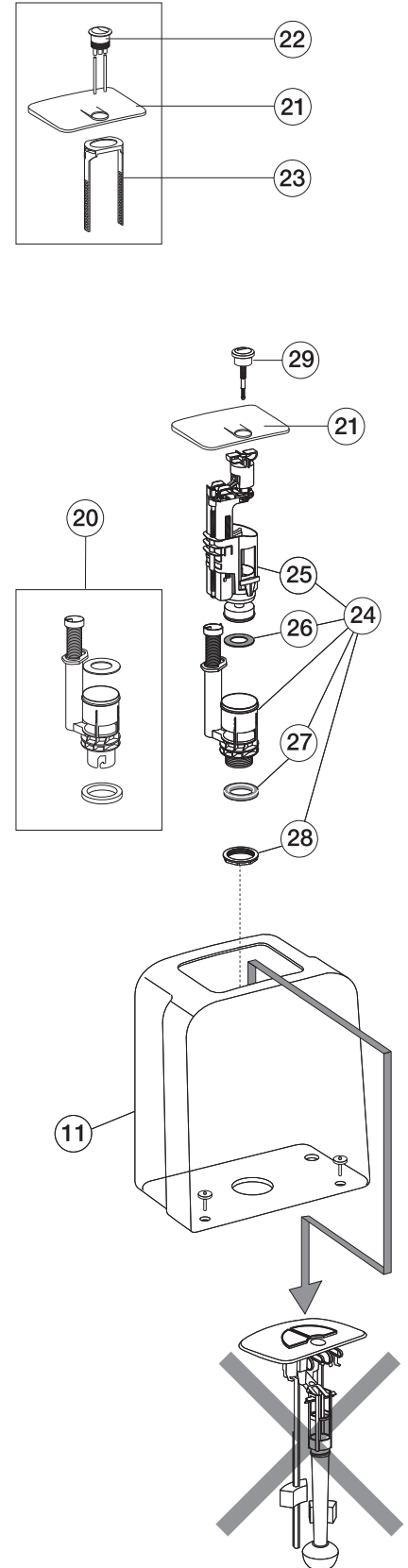
RESERVEDELER

DETALJENUMMER OG PRODUKT	NRF. NR.	ART. NR.	VEIL. PRIS EKS. MVA.	VEIL. PRIS INKL. MVA.
1 Ventil Duo med trykknapp	6026037	GB19299N2953	389	486
3 T2 Trykknapp Duo, krom	6025882	GB19299T2951	239	299
4 Sisternelokk	6024965	8193B901	385	481
5 T2/T1/K ventilhuspakning	6025812	GB19299TK962	83	104
6 T2/T1/K binventilpakning	6025831	GB19299TK961	79	99
7 T2/T1/K mutter f/bunnventil	6025813	GB19299TK960	69	86
9 Sisternepakning f/toalett 5696 S-lås	6026555	GB1929900320	80	100
Sisternepakning f/toalett 5696 P-lås	6025924	GB1929900506	79	99
10 GB flottørventil		9GS01300	588	735
Membran	6026038	9GS01400	156	195
11 GB membransett		GB19299P0206	156	195
12 Avstengningsventil	6025903	GB1929900503	149	186
12a Fleksibel tilkoplingslange	6025902	GB1929900502	167	209
13 Sisternebolt	6026527	GB1929900319	190	238
15 Logic hardplastsete med rustfrie fester	6025517	9M016101	1.042	1.303
16 Festedetaljer for soft close seter	6025631	GB1919901845	550	688
17 Dekkluke 5696	6025833	GB1929903410	177	221
18 Festedetaljer for veggskål	6025677	92207401	164	205
Limplugger for festehull i fot (4 stk)	6025634	GB1929900168	42	53
Soft close dempere	6026034	92242400	203	254

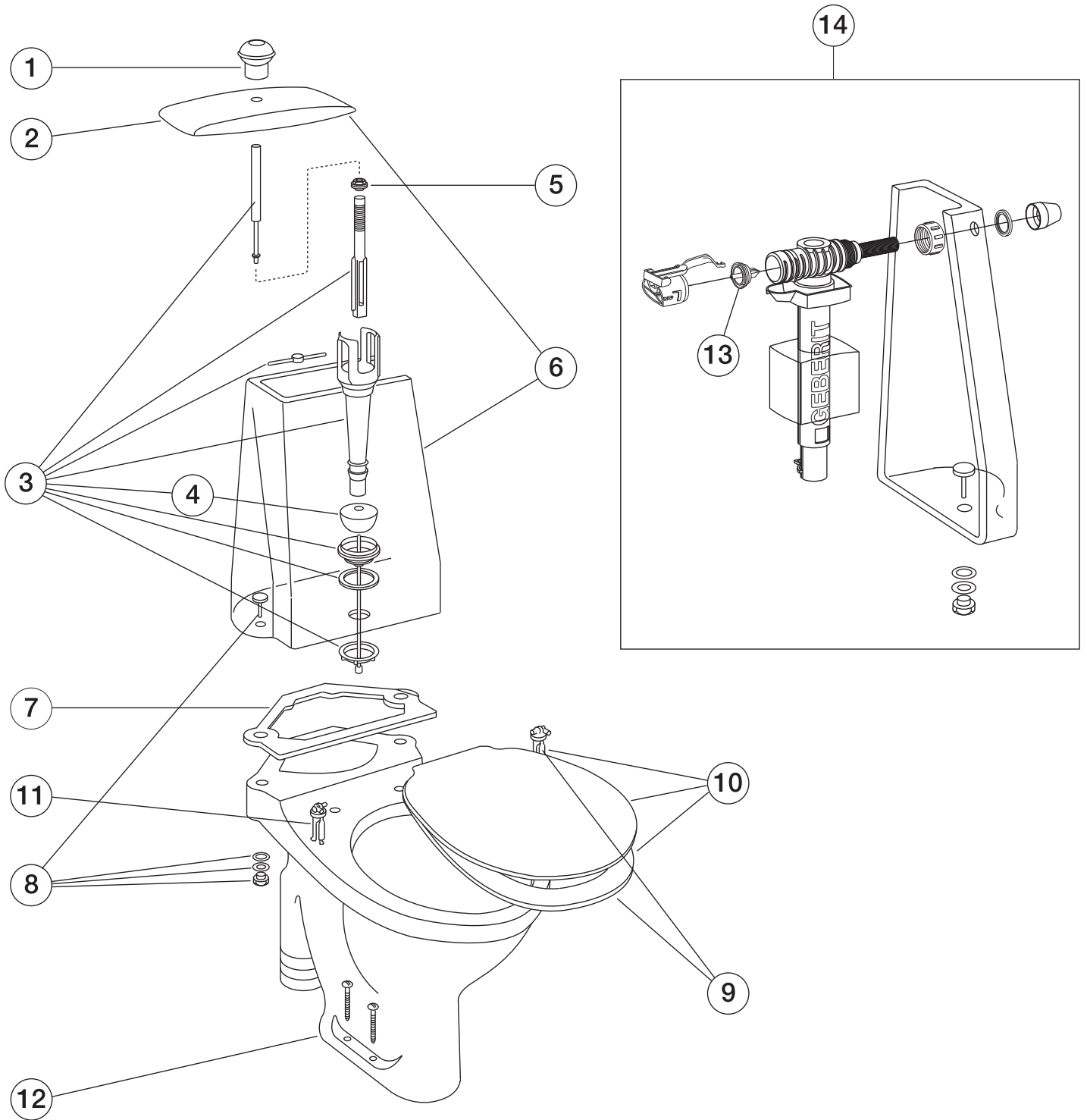
Skandic



Classic



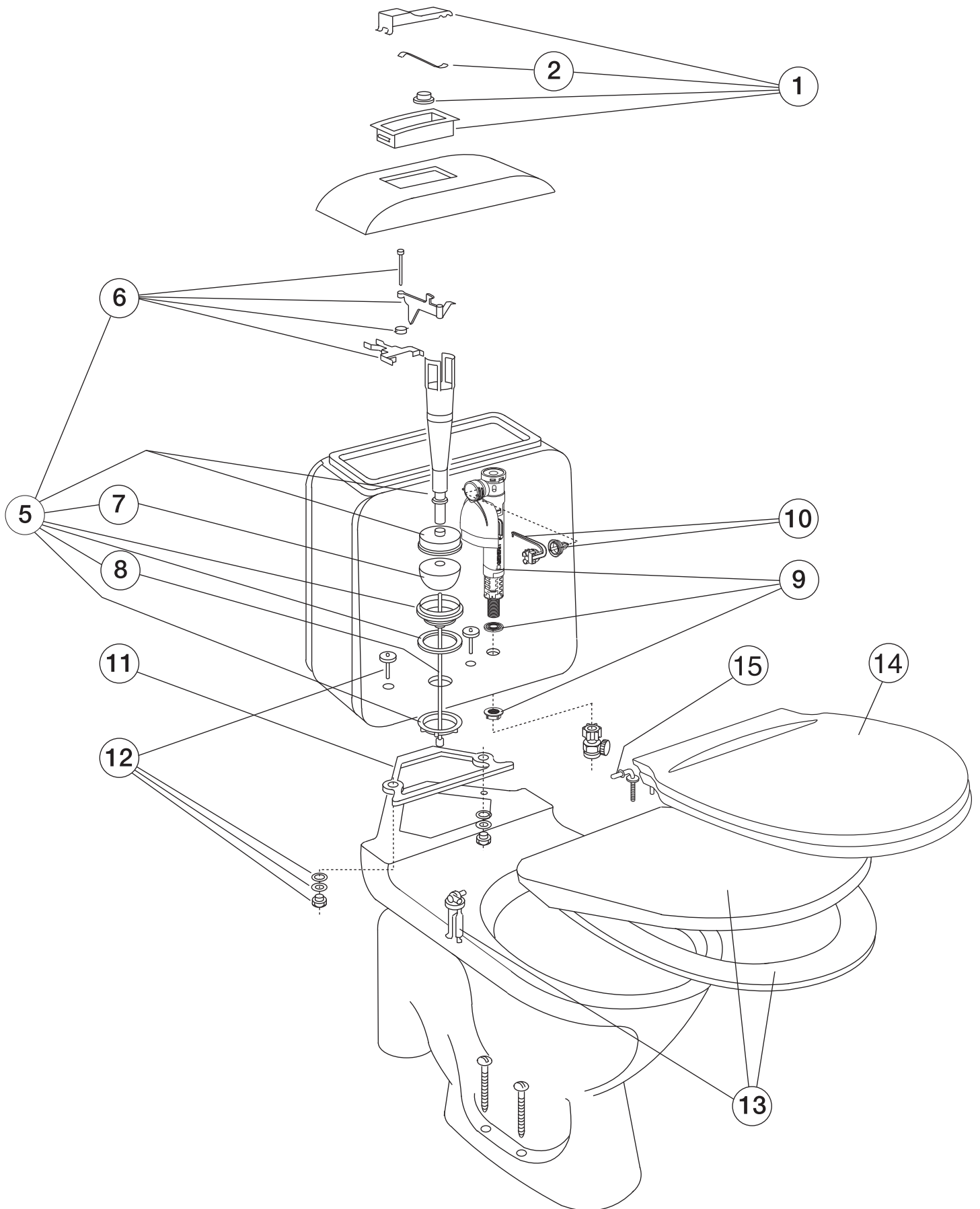
DETALJENUMMER OG PRODUKT	NRF. NR.	ART. NR.	VEIL. PRIS EKS. MVA.	VEIL. PRIS INKL. MVA.
1 ST-24 Sisternelokk m/trykknapp, hvit	6024976	GB1929900338	616	770
1a Lokkmutter	6025686	GB1929901545	67	84
3 ST-Bunnventil	6026581	GB1929900282	376	470
4 ST-22 Løftestang	6026373	GB1929900209	140	175
5 NP/NT/ST Ventilball	6026212	GB1929900260	115	144
6 ST-2 senterstang	6025845	GB1929900347	85	106
7 Sистернеpakning	6025557	GB1929900344	127	159
8 GB Flottørventil		9GS01300	588	735
Membran	6026038	9GS01400	156	195
9 GB Membransett		GB19299P0206	156	195
11 Sистерne u/lokk og u/armatur f/360,364	6024339	GB1042640101	2.066	2.583
12 Sистерnebolt, par	6025846	GB1929900356	265	331
13 Avløpstuss til toalett 330, 360 (UTGÅTT)				
15 Hardplastsete med rustfrie fester	6025419	GB1919901601	1.540	1.925
16 Rustfrie setefester (UTGÅENDE, RESTLAGER)	6025851	GB1919901832	382	478
Skål f/334, 364, hvit (UTGÅTT)				
18 Gulvfeste	6025847	GB1929900381	201	251
22 T1 Knapp Duo	6025808	GB19299T1951	239	299
23 T1 Festeboyle, Duo	6025807	GB19299T1956	197	246
24 Ventil Duo med trykknapp	6026037	GB19299N2953	389	486
26 Ventilhuspakning	6025812	GB19299TK962	83	104
27 Bunnventilpakning	6025831	GB19299TK961	79	99
28 Mutter til bunnventil	6025813	GB19299TK960	69	86
29 T2 Trykknapp Duo, krom	6025882	GB19299T2951	239	299
30 Sisternelokk Skandic, rund knapp	6024964	GB19299T2800	409	511



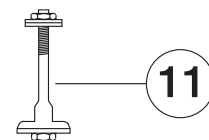
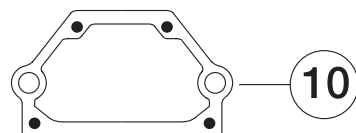
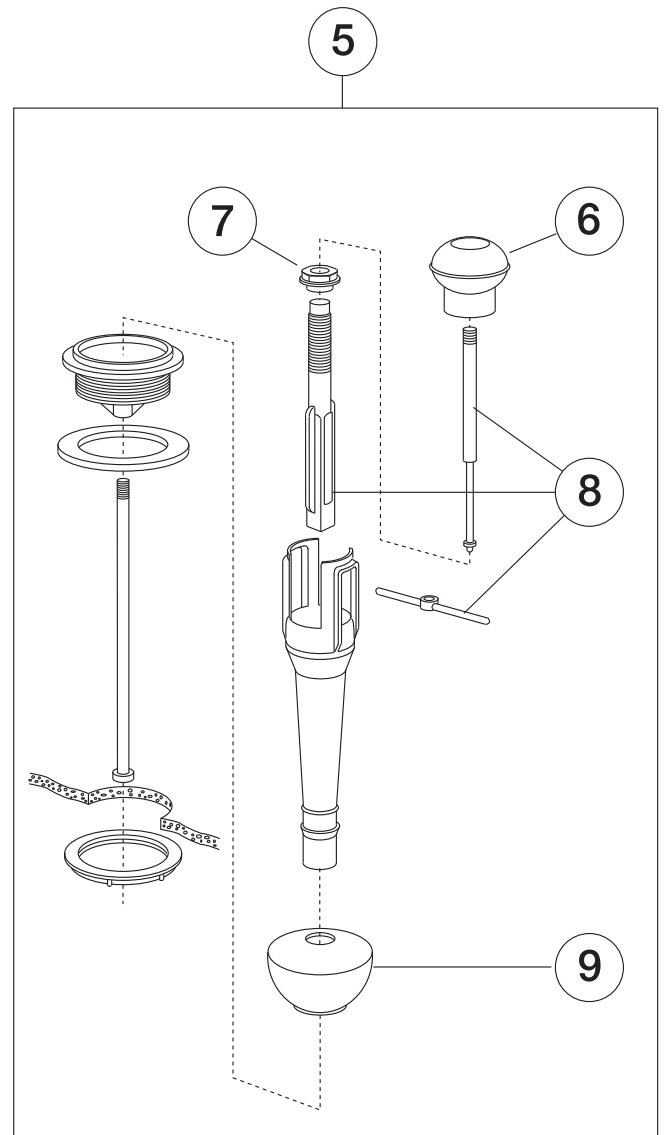
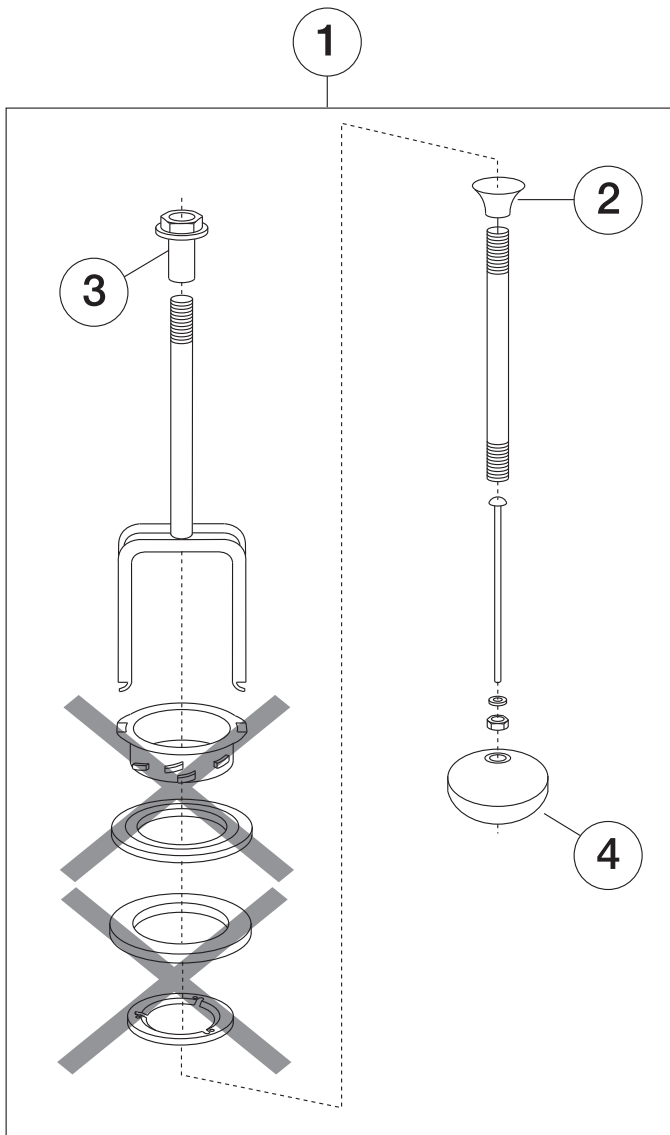


Reservevedeler - Barnetoalett 305, 1950

DETALJENUMMER OG PRODUKT	NRF. NR.	ART. NR.	VEIL. PRIS EKS. MVA.	VEIL. PRIS INKL. MVA.
1 NP-11 Løfteknott	6026414	GB1929900237	95	119
3 NP-20 Bunnventil (år 1982-)	6026421	GB1929900238	663	829
4 NP/NT/ST Ventilball	6026213	GB1929900260	115	144
5 NP-10 Lokkmutter	6026411	GB1929900236	77	96
6 Sистерne med lokk, uten armatur (år 1992-)	6024327	GB1042060101	3.144	3.930
7 Sистерnepakning	6026545	GB1929900316	94	118
8 Sистерnebolt	6026525	GB1929900217	190	238
9 Hvit propensete f/305 uten lokk	6025407	GB1919901286	354	443
10 Hvit propensete f/305 med lokk	6025406	GB1919900910	1.364	1.705
11 Ekspansjonsfeste f/propensete	6026511	GB1929901453	74	93
12 Skål (UTGÅTT)				
14 GB Flottørventil, sidekoblet	6025896	GB1929901974	756	945
NP, Evalet 210, 220, 230, NP21 løftestang	6025923	GB1929900239	209	261

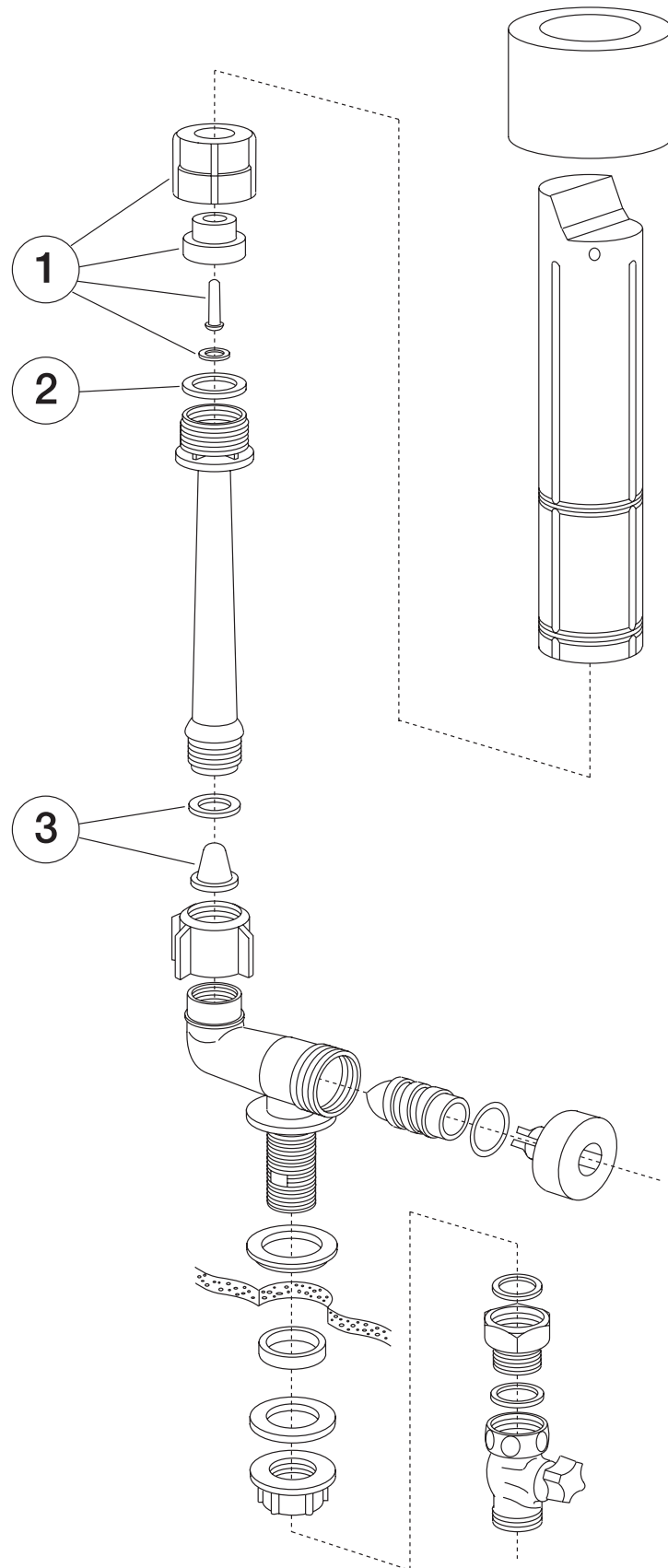


DETALJENUMMER OG PRODUKT	NRF. NR.	ART. NR.	VEIL. PRIS EKS. MVA.	VEIL. PRIS INKL. MVA.
1 NT-21 trykknapp/ramme, hvit	6026366	GB1929900208	226	283
2 Fjær	6025848	GB1929901244	55	69
5 ST-Bunnventil	6026581	GB1929900282	376	470
6 ST-2 løfteanordning	6026373	GB1929900209	140	175
7 NP/NT/ST Ventilball	6026212	GB1929900260	115	144
8 ST-2 senterstang	6025845	GB1929900347	85	106
9 GB Flottørventil		9GS01300	588	735
*) GB Flottørventil sidekoplet	6025896	GB1929901974	756	945
10 GB Membransett	6026038	9GS01400	156	195
11 Sистернеpakning f/toalett 325	6026541	GB1929900216	80	100
Sистернеpakning f/344 (UTGÅENDE, RESTLAGER)	6026543	GB1929900315	80	100
12 Sистернеbolt f/315/325	6026525	GB1929900217	190	238
13 Hvitt propensete f/325	6025411	GB1929900226	354	443
14 Hvitt universalsete f/325	6025415	GB1919901900	1.087	1.359
15 Rustfrie fester, stillbare	6026518	GB1919901830	167	209
Nippelmuffe - TF35	6026266	GB1929900058	107	134





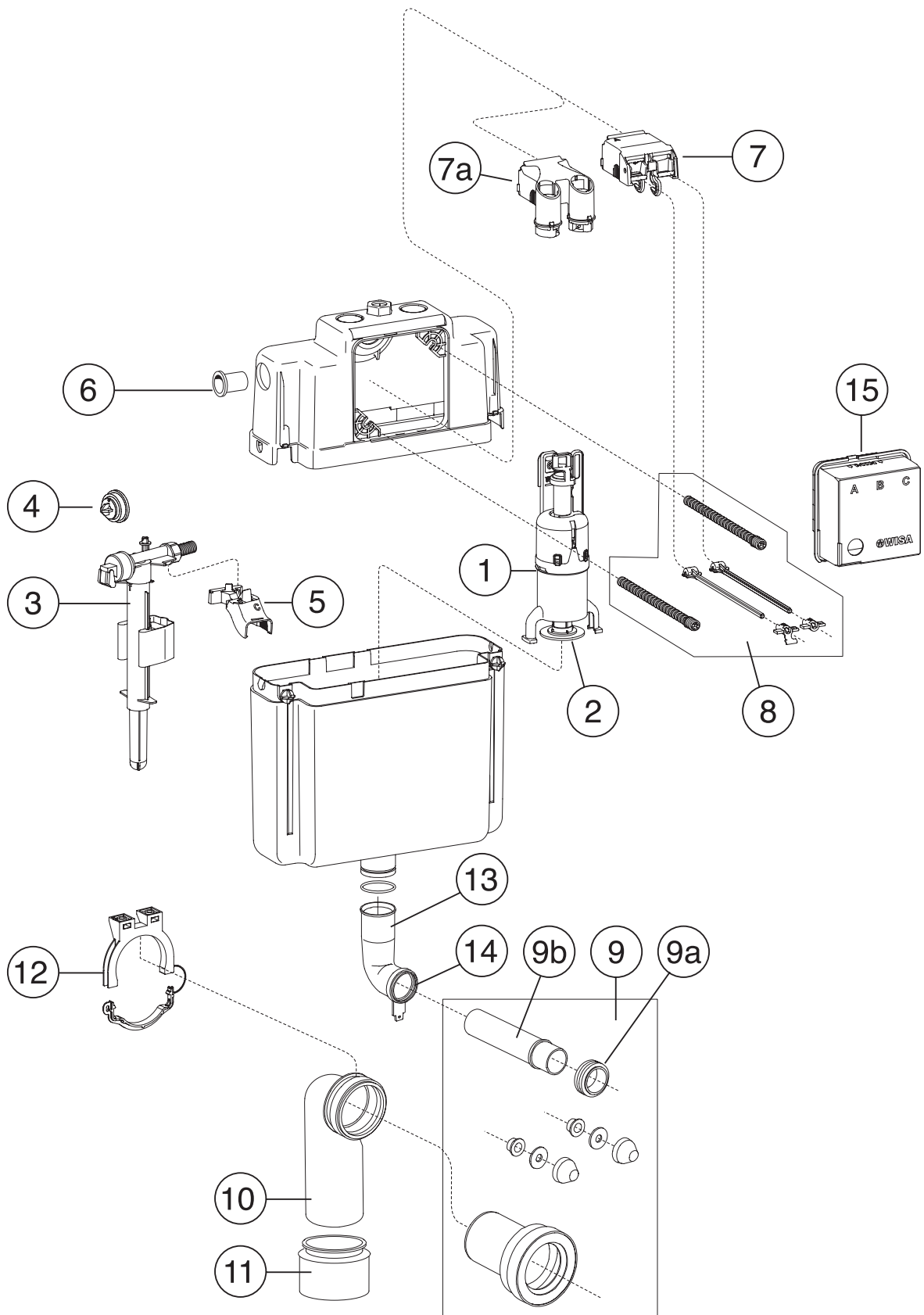
DETALJENUMMER OG PRODUKT	NRF. NR.	ART. NR.	VEIL. PRIS EKS. MVA.	VEIL. PRIS INKL. MVA.
1 NC Bunnventil til samtlige modeller prod. før 1982 utenom 305 og gamle 360	6026201	GB1929900211	721	901
2 NC-10 Løfteknapp	6026221	GB1929900291	97	121
3 NC-8 Lokkmutter	6025922	GB1929900332	36	45
5 NP-20 løfteventil	6026421	GB1929900238	663	829
6 NP-11 Løfteknott	6026414	GB1929900237	95	119
7 NP-10 toppmutter	6026411	GB1929900236	77	96
8 NP-21 Løftestang	6025923	GB1929900239	209	261
9 NP/NT/ST Ventilball universal	6026212	GB1929900260	115	144
10 Systernepakning f/ 315/325	6026541	GB1929900216	80	100
11 Systernebolt f/315/325	6026525	GB1929900217	190	238





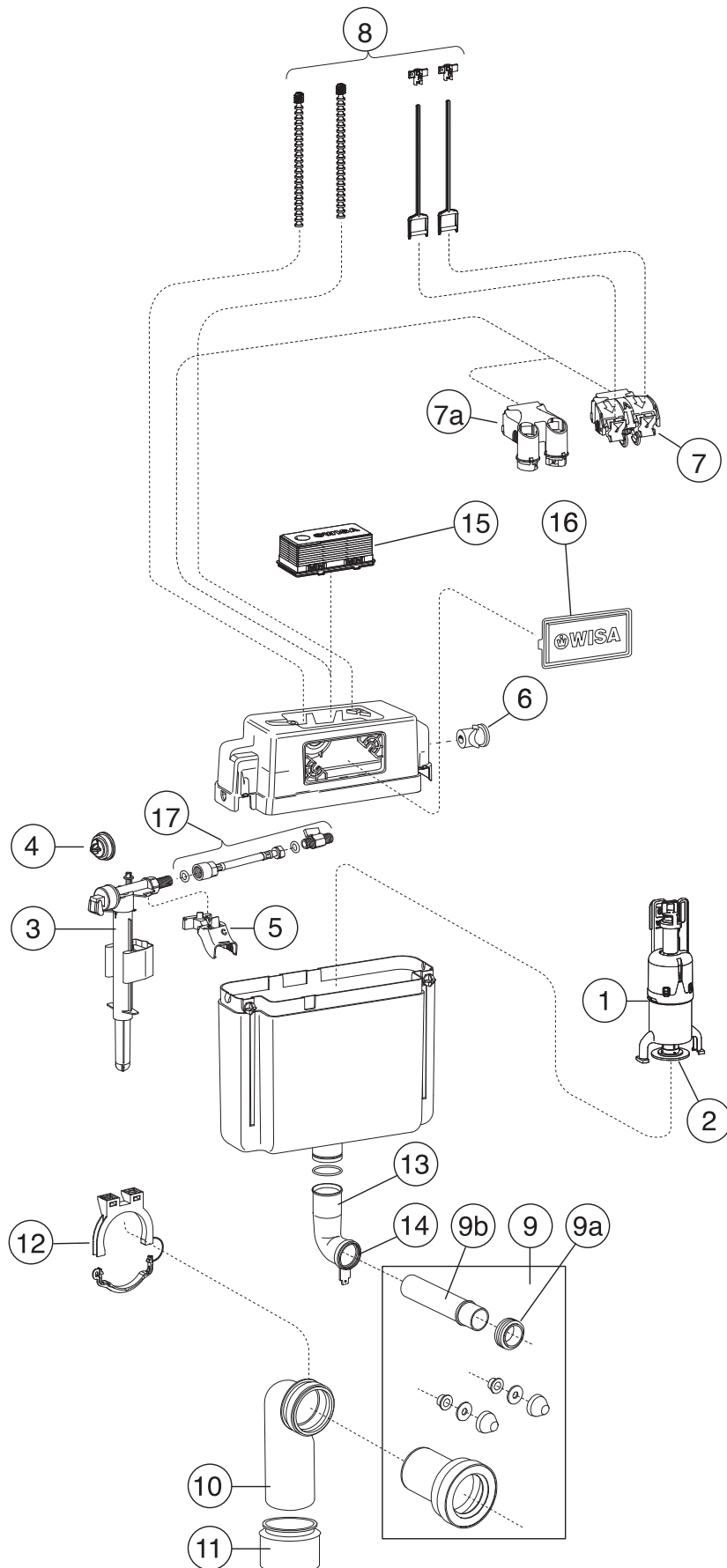
DETALJENUMMER OG PRODUKT	NRF. NR.	ART. NR.	VEIL. PRIS EKS. MVA.	VEIL. PRIS INKL. MVA.
1 TF-33 Servoventil	6026262	GB1929900233	168	210
2 TF-11 Membran	6026247	GB1929900229	80	100
3 TF-9 Sil, pakning	6026244	GB1929900228	80	100
TP-10 Membran	6026282	GB1929900330	67	84

OBS! Samtlige gamle, komplette flottørventiler erstattes av GB flottørventil

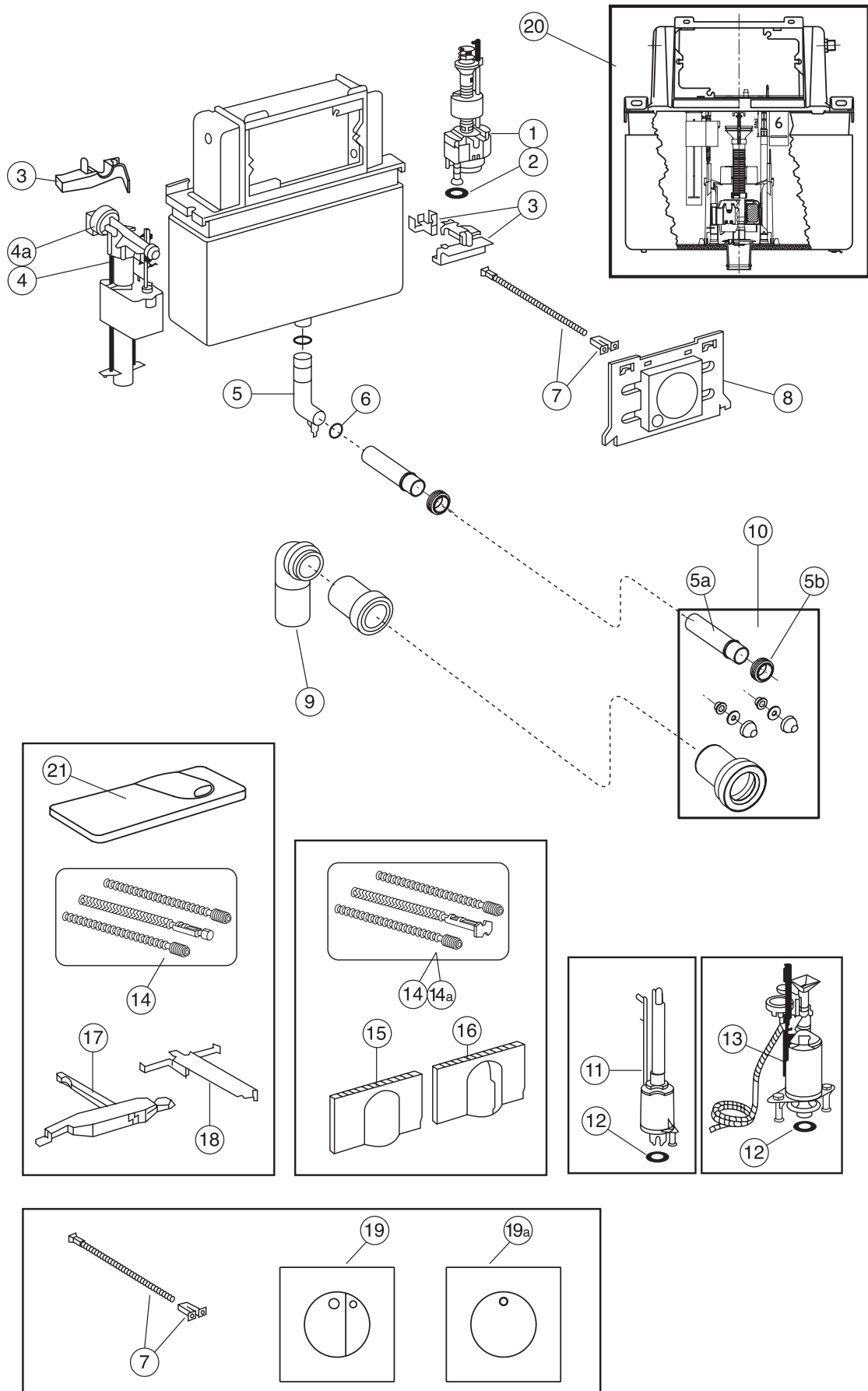


RESERVEDELER

DETALJENUMMER OG PRODUKT	NRF. NR.	ART. NR.	VEIL. PRIS EKS. MVA.	VEIL. PRIS INKL. MVA.
1 Bunnventil Duo/Enkel	6025943	GB1921100370	432	540
2 Tetning bunnventil	6025944	GB1921100371	176	220
3 Flottørventil	6025945	GB1921100372	632	790
4 Membran	6025946	GB1921100373	167	209
5 Feste flottørventil	6025947	GB1921100375	180	225
7 Mekanisk løfteanordning XS	6025949	GB1921100377	250	313
7a Pneumatisk løfteanordning	6025626	GB1921100394	426	533
8 Sett med fiksering/manøverpinner enkelspylning XS	6025951	GB1921100378	236	295
8 Sett med fiksering/manøverpinner dobbelspylning XS	6025952	GB1921100379	250	313
9 Sett toalett-tilkopl. Spylerør L= 300 mm Tilkopling spylerør Avløpsrør L = 300 mm Veggmonteringssett	6025953	GB1921100380	764	955
9a Tilkopling spylerør	6025954	GB1921100381	176	220
9b Spylerør L= 300 mm	6025752	GB1921100111	229	286
10 Avløpsbend 90x90 mm	6025955	GB1921100382	440	550
11 Exsenter 90x110 mm	6025956	GB1921100383	343	429
12 Fiksering avløpsbend	6025957	GB1921100384	201	251
13 Spylerør med feste XS	6025958	GB1921100385	297	371
14 Tetningsring spylerør XS	6025959	GB1921100386	173	216
15 Beskyttelseskappe XS	6025961	GB1921100387	226	283
Boltesett for XS	6025674	GB1921102028	107	134
Pakning mot vegg bak toalett		GB1921100388	124	155
Pneumatisk slange for trykkplate XS/XT	6023008	GB1921100398	160	200
Rep. sett for feste m/trykknapp		GB1921100389	187	234

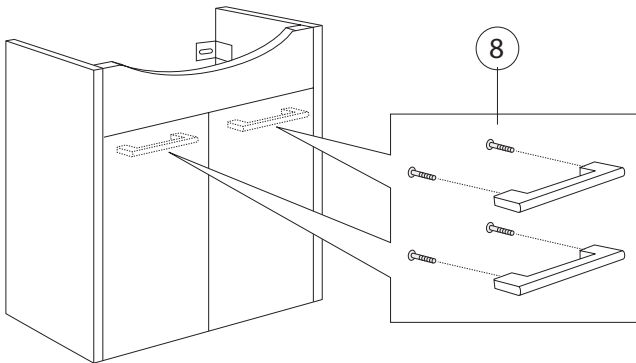
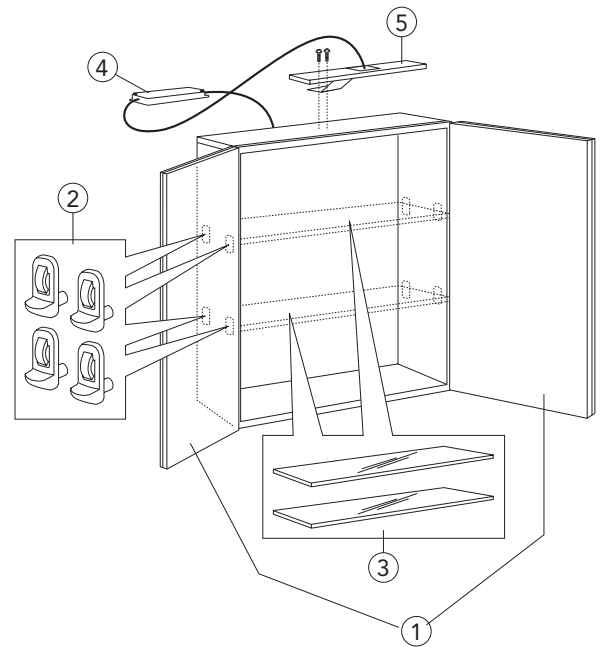
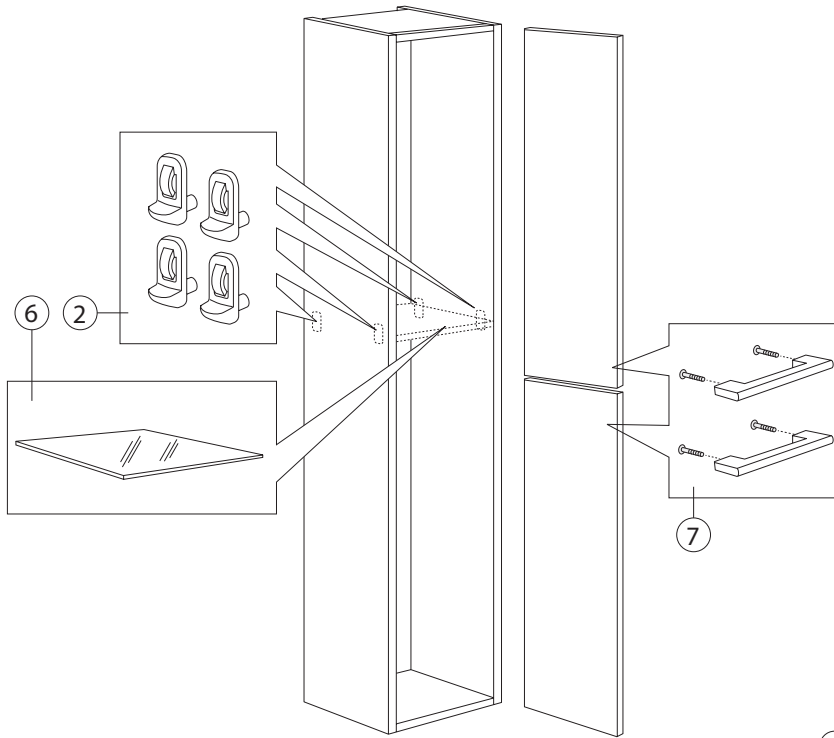


DETALJENUMMER OG PRODUKT	NRF. NR.	ART. NR.	VEIL. PRIS EKS. MVA.	VEIL. PRIS INKL. MVA.
1 Bunnventil	6025943	GB1921100370	432	540
2 Tetning bunnventil	6025944	GB1921100371	176	220
3 Flottørventil	6025945	GB1921100372	632	790
4 Membran	6025946	GB1921100373	167	209
5 Feste flottørventil	6025947	GB1921100375	180	225
6 Hylse XT for beskyttelsesrør 18-28 mm (UTGÅR)	6025667	GB1921100392	323	404
7 Feste med løftekrok XT	6025627	GB1921100395	250	313
7a Pneumatisk løfteanordning	6025626	GB1921100394	426	533
8 Sett med fiksering/manøverpinner XT	6025666	GB1921100391	250	313
9 Sett toalett tilkpl. Spyleør L= 300 mm Tilkopling spyleør Avløpsrør L = 300 mm Veggmonteringssett	6025953	GB1921100380	764	955
9a Tilkopling spyleør	6025954	GB1921100381	176	220
9b Spyleør L= 300 mm	6025752	GB1921100111	229	286
10 Avløpsbend 90x90 mm	6025955	GB1921100382	440	550
11 Exsenter 90x110 mm	6025956	GB1921100383	343	429
12 Fiksering avløpsbend	6025957	GB1921100384	201	251
13 Spyleør med feste	6025639	GB1921100397	201	251
14 Tetningsring spyleør	6025959	GB1921100386	173	216
15 Beskyttelseskappe XT	6025665	GB1921100390	220	275
16 Dekkåpe XT	6025638	GB1921100396	220	275
17 Fleksibel tilkoblingsslagesett Pneumatisk slange for XS/XT trykkplater	6025668 6023008	GB1921100393 GB1921100398	416 160	520 200

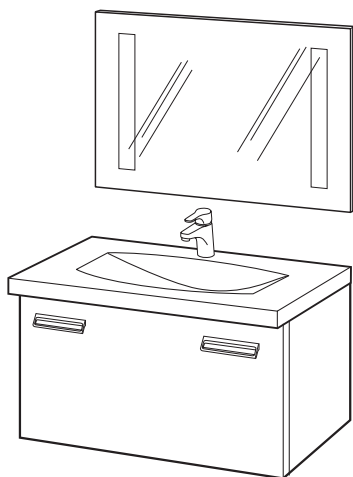


RESERVEDELER

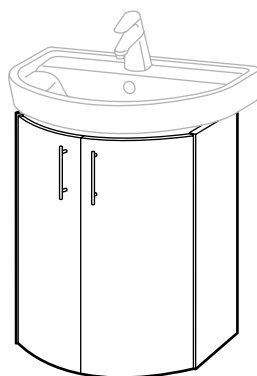
DETALJENUMMER OG PRODUKT	NRF. NR.	ART. NR.	VEIL. PRIS EKS. MVA.	VEIL. PRIS INKL. MVA.
1 Bunnventil	6025803	GB1921100095	826	1.033
2 Tetning bunnventil, duo	6025871	GB1921100110	53	66
3a Brygge og feste for utløpsventil	6025865	GB1921100122	266	333
4 Flottørventil	6025945	GB1921100372	632	790
4a Membran flottørventil	6025946	GB1921100373	167	209
5 Spylørør bend m/feste	6025958	GB1921100385	297	371
5a Spylørør L= 300 mm	6025752	GB1921100111	229	286
5b Tilkopling spylørør	6025954	GB1921100381	176	220
6 Tetningsring spylørør	6025959	GB1921100386	173	216
7 Distanse/låsepinne duo/enkel for pos 19	6025873	GB1921100114	243	304
8 Beskyttelseskappe for pos. 19	6025874	GB1921100115	266	333
10 Sett toalett tilkoppl.	6025953	GB1921100380	764	955
9b Spylørør L= 300 mm	6025752	GB1921100111	229	286
10 Avløpsbend 90x90 mm	6025955	GB1921100382	440	550
Splylørør L= 300 mm				
Tilkopling spylørør				
Avløpsrør L = 300 mm				
Veggmonteringssett				
11 Bunnventil enkel	6025857	GB1921100082	276	345
12 Tetning bunnventil enkel/pneumatisk	6025858	GB1921100083	54	68
13 Bunnventil Pneumatisk	6025856	GB1921100081	2.292	2.865
14 Distanse/låsepinne enkel for pos 15 och 21	6025861	GB1921100094	243	304
14a Distanse/låsepinne duo for pos 16	6025862	GB1921100098	243	304
15 Kompl. frontluke eldre utførelse enkelspylning, hvit	6025351	GB1921101171	632	790
16 Kompl. frontluke duo	6025729	GB1921101178	652	815
17 Hevearm Triomont 2903	6025863	GB1921100099	121	151
18 Brygge Triomont 2903	6025877	GB1921100118	94	118
19 Frontpanel Triomont Universal, Duo				
Hvit	6025737	GB1921102010	484	605
Matt krom	6025739	GB1921102012	1.028	1.285
Blank krom	6025744	GB1921102016	1.028	1.285
19a Frontpanel Triomont Universal, enkelspylning				
Hvit	6025738	GB1921102011	484	605
Matt krom	6025741	GB1921102013	1.028	1.285
Blank krom (UTGÅTT)				
21 Toppbetjent panel, hvit	6025727	GB1921101191	384	480
Toppbetjent panel, krom	6025728	GB1921101188	746	933



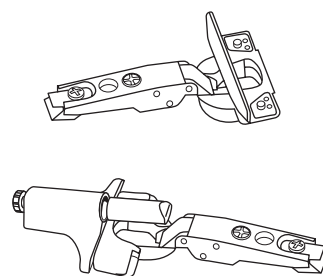
DETALJENUMMER OG PRODUKT	NRF. NR.	ART. NR.	VEIL. PRIS EKS. MVA.	VEIL. PRIS INKL. MVA.
1 Speildør venstre, Nordic ³ speilskap, hvit		B00177E4	831	1.039
Speildør høyre, Nordic ³ speilskap, hvit		B00178E4	861	1.076
Speildør venstre, Nordic ³ speilskap, lys eik		B00177E9	739	924
Speildør høyre, Nordic ³ speilskap, lys eik		B00178E9	861	1.076
2 Hylleknekter, Nordic ³		B0017200	156	195
3 Glasshyll, Nordic ³ speilskap		B0017400	304	380
4 Transformator, Nordic ³ speilskap		B0017300	452	565
5 LED belysning, Nordic ³ speilskap		92246700	706	883
6 Glasshyll, Nordic ³ høyskap		B0017100	254	318
7 Håndtak høyskap, Nordic ³		B0290061	209	261
8 Håndtak servantskap, Nordic ³		B0017900	209	261



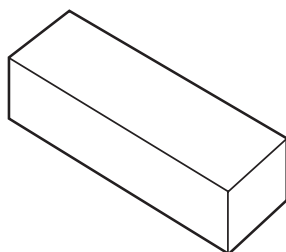
Logic



Nordic II



Hengsler til Logicmøbler



Keramisk gummi

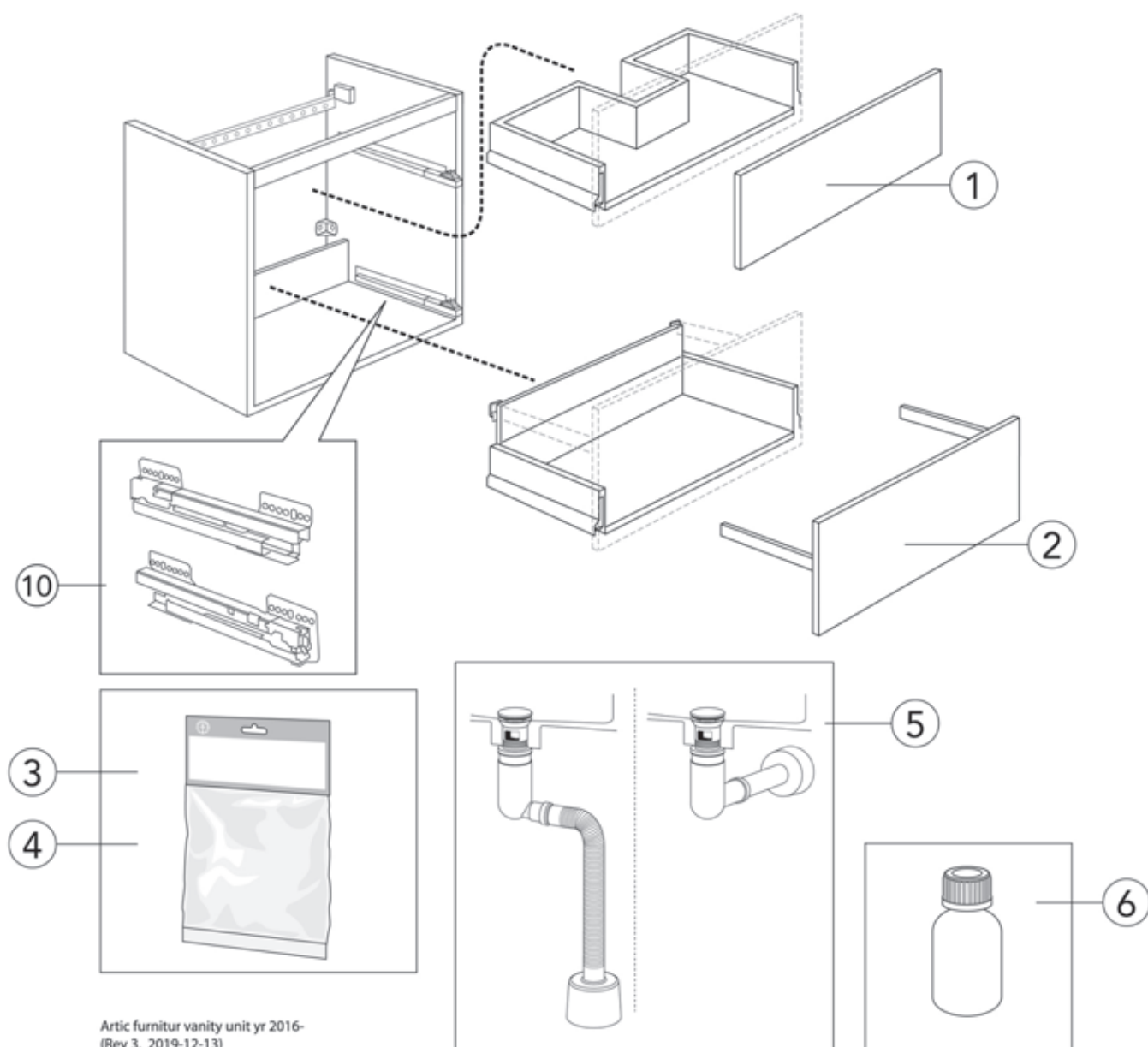
Såpedispenser

Møbler

DETALJENUMMER OG PRODUKT	NRF. NR.	ART. NR.	VEIL. PRIS EKS. MVA.	VEIL. PRIS INKL. MVA.
Nordic II Dør 2800/2810/2820, høyre/venstre, hvit 2003-2011 (UTGÅTT)	7031019	GB8128000100	1.285	1.606
Artic Transformator 6-pol 2005- (UTGÅENDE, RESTLAGER)	7031035	GB8148300001	323	403
Logic Hengsler (par) 2009- (UTGÅENDE, RESTLAGER)	7031022	GB8118000002	243	303

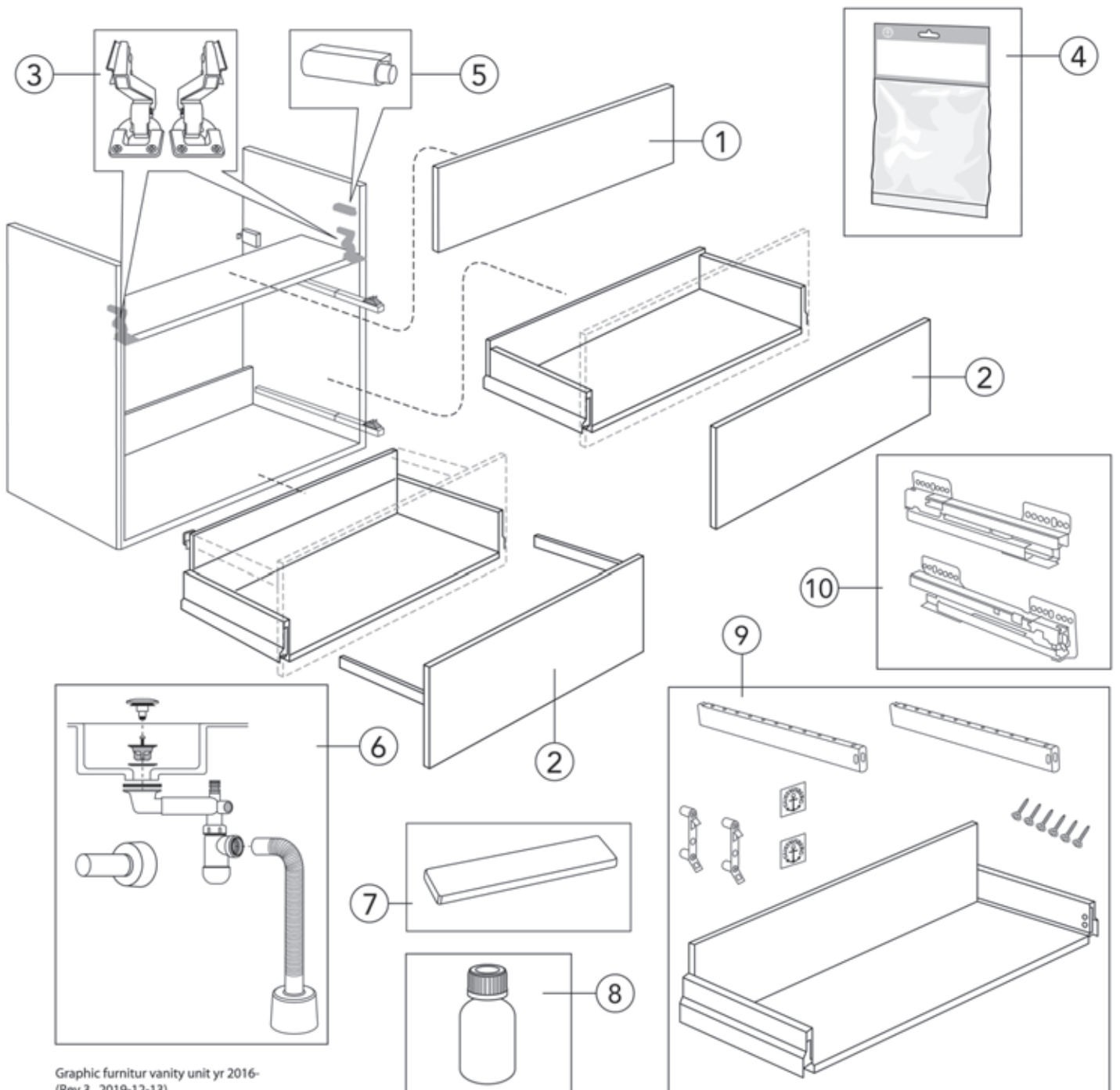
Øvrige

DETALJENUMMER OG PRODUKT	NRF. NR.	ART. NR.	VEIL. PRIS EKS. MVA.	VEIL. PRIS INKL. MVA.
Såpedispenser, komplett (UTGÅTT)	6021912	GB1922100802	1.267	1.584
Øvrig Keramisk gummi	6025842	GB1923100802	482	603



Artic furnitur vanity unit yr 2016-
(Rev 3. 2019-12-13)

DETALJENUMMER OG PRODUKT	NRF. NR.	ART. NR.	VEIL. PRIS EKS. MVA.	VEIL. PRIS INKL. MVA.
1 Skuffefront, øvre, 100 hvit melamin		GB8148000066	1.263	1.579
1 Skuffefront, øvre, 100 eik svart		GB8148000064	2.527	3.158
1 Skuffefront, øvre, 100 hvit		GB8148000063	1.624	2.030
1 Skuffefront, øvre, 100 hvit rammeluke		GB8148000065	2.166	2.707
1 Skuffefront, øvre, 80 hvit melamin		GB8148000062	1.173	1.466
1 Skuffefront, øvre, 80 eik svart		GB8148000060	2.166	2.707
1 Skuffefront, øvre, 80 hvit		GB8148000059	1.444	1.805
1 Skuffefront, øvre, 80 hvit rammeluke		GB8148000061	1.805	2.256
1 Skuffefront, øvre, 60 eller 120 hvit melamin		GB8148000058	993	1.241
1 Skuffefront, øvre, 60 eller 120 eik svart		GB8148000056	1.805	2.256
1 Skuffefront, øvre, 60 eller 120 hvit		GB8148000055	1.624	2.030
1 Skuffefront, øvre, 60 eller 120 hvit rammeluke		GB8148000057	1.173	1.466
2 Skuffefront, nedre, 100 hvit melamin		GB8148000078	1.263	1.579
2 Skuffefront, nedre, 100 eik svart		GB8148000076	2.527	3.158
2 Skuffefront, nedre, 100 hvit		GB8148000075	1.624	2.030
2 Skuffefront, nedre, 100 hvit rammeluke		GB8148000077	2.166	2.707
2 Skuffefront, nedre, 80 hvit melamin		GB8148000074	1.173	1.466
2 Skuffefront, nedre, 80 eik svart		GB8148000072	2.166	2.707
2 Skuffefront, nedre, 80 hvit		GB8148000071	1.444	1.805
2 Skuffefront, nedre, 80 hvit rammeluke		GB8148000073	1.805	2.256
2 Skuffefront, nedre, 60 eller 120 hvit melamin		GB8148000070	993	1.241
2 Skuffefront, nedre, 60 eller 120 eik svart		GB8148000068	1.805	2.256
2 Skuffefront, nedre, 60 eller 120 hvit		GB8148000067	1.173	1.466
2 Skuffefront, nedre, 60 eller 120 hvit rammeluke		GB8148000068	1.624	2.030
3 Reservedelspose 3 for 120 cm baderomsskap		GB8148000008	541	677
4 Reservedelspose 2		GB8148000006	361	451
5 Vannlås Easy clean med pop-up		GB8148000002	993	1.241
6 Forbedringsfarge Artic & Graphic hvit NCS-S-0500		GB8148000003	162	203
10 Skuffeskinner 350 mm		GB8148000137	902	1.128



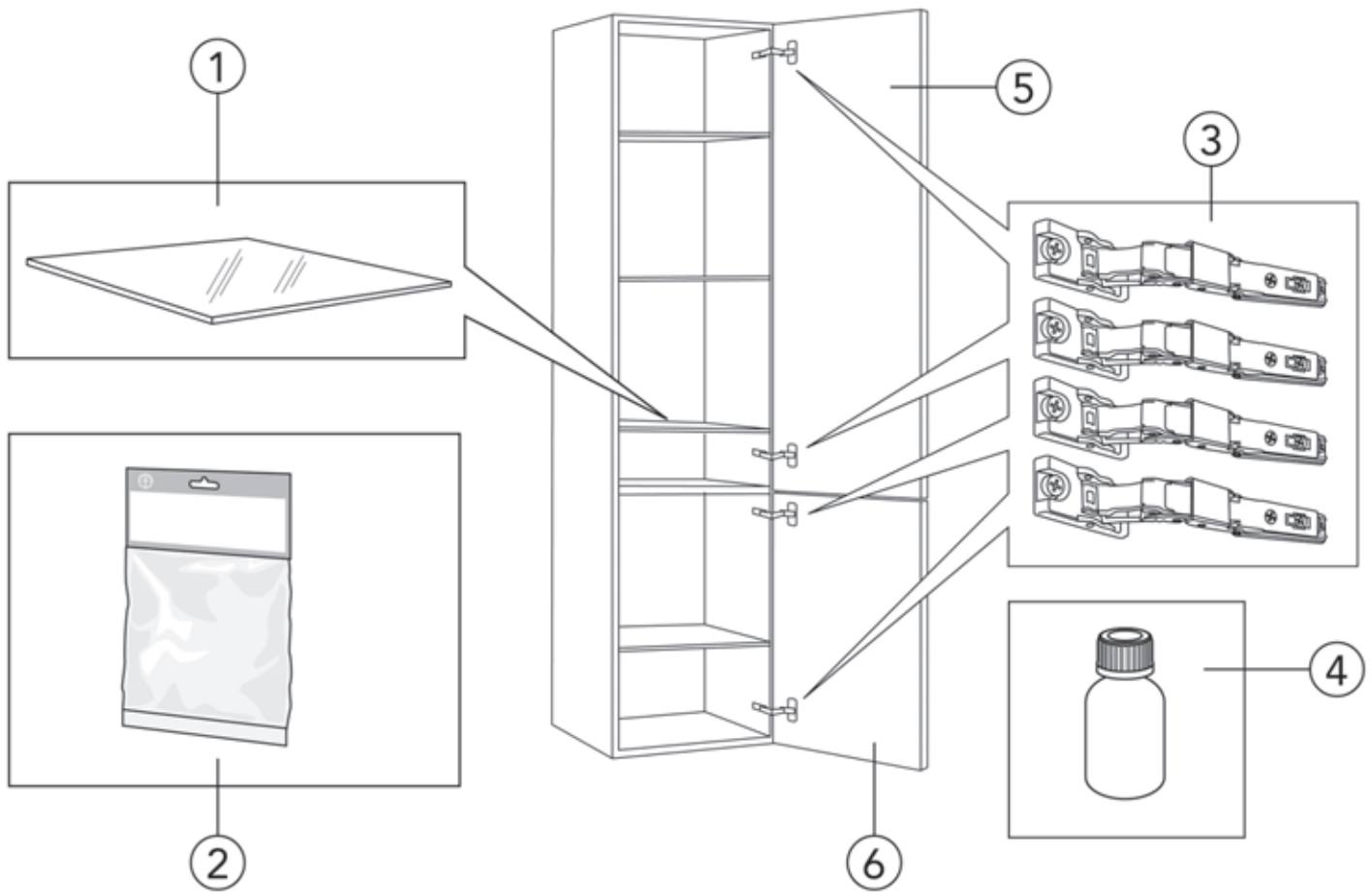
Graphic furnitur vanity unit yr 2016-
(Rev 3. 2019-12-13)



Reservevedeler - Baderomskap Graphic år 2016 -

DETALJENUMMER OG PRODUKT	NRF. NR.	ART. NR.	VEIL. PRIS EKS. MVA.	VEIL. PRIS INKL. MVA.
1 Øvre luke, 100 hvit		GB8148000028	812	1.015
1 Øvre luke, 100 hvit med spor		GB8148000029	812	1.015
1 Øvre luke, 100 varm grå		GB8148000030	812	1.015
1 Øvre luke, 100 grønn		GB8148000126	812	1.015
1 Øvre luke, 80 hvit		GB8148000025	722	902
1 Øvre luke, 80 hvit med spor		GB8148000026	722	902
1 Øvre luke, 80 varm grå		GB8148000027	722	902
1 Øvre luke, 80 grønn		GB8148000125	722	902
1 Øvre luke, 60 hvit		GB8148000022	632	790
1 Øvre luke, 60 hvit med spor		GB8148000023	632	790
1 Øvre luke, 60 varm grå		GB8148000024	632	790
1 Øvre luke, 60 grønn		GB8148000124	632	790
1 Øvre luke, 45 hvit		GB8148000019	541	677
1 Øvre luke, 45 hvit med spor		GB8148000020	541	677
1 Øvre luke, 45 varm grå		GB8148000021	541	677
1 Øvre luke, 45 grønn		GB8148000123	541	677
2 Skuffefront, 100 hvit		GB8148000040	1.444	1.805
2 Skuffefront, 100 hvit med spor		GB8148000041	1.624	2.030
2 Skuffefront, 100 varm grå		GB8148000042	1.624	2.030
2 Skuffefront, 100 grønn		GB8148000130	1.624	2.030
2 Skuffefront, 80 hvit		GB8148000037	1.263	1.579
2 Skuffefront, 80 hvit med spor		GB8148000038	1.444	1.805
2 Skuffefront, 80 varm grå		GB8148000039	1.444	1.805
2 Skuffefront, 80 grønn		GB8148000129	1.444	1.805
2 Skuffefront, 60 hvit		GB8148000034	1.083	1.354
2 Skuffefront, 60 hvit med spor		GB8148000035	1.263	1.579
2 Skuffefront, 60 varm grå		GB8148000036	1.263	1.579
2 Skuffefront, 60 grønn		GB8148000128	1.263	1.579
2 Skuffefront, 45 hvit		GB8148000031	722	902
2 Skuffefront, 45 hvit med spor		GB8148000032	902	1.128
2 Skuffefront, 45 varm grå		GB8148000033	902	1.128
2 Skuffefront, 45 grønn		GB8148000127	902	1.128
3 Dørhengsler, 1 par til øvre luke		GB8148000012	108	135
4 Reservevedelspose 2		GB8148000006	361	451
5 Demper, push open, 1 par til øvre luke		GB8148000011	144	180
6 Vannlås baderomsskap med pop-up		GB8148000001	632	790
7 Magnetlist 1 stk		GB8148000013	451	564
8 Forbedringfarge Graphic grønn, NCS 7010-G50Y		GB8148000136	162	203
8 Forbedringfarge Graphic grå, NCS S-4502-Y		GB8148000004	162	203
8 Forbedringfarge Graphic hvit, NCS S-0500		GB8148000003	162	203
9 Innvendig skuff 45 cm		GB8148000099	1.354	1.692
9 Innvendig skuff 60 cm		GB8148000100	1.444	1.805
9 Innvendig skuff 80 cm		GB8148000101	1.534	1.918
9 Innvendig skuff 100 cm		GB8148000102	1.624	2.030
10 Skuffeskinner 300 mm		GB8148000138	902	1.128

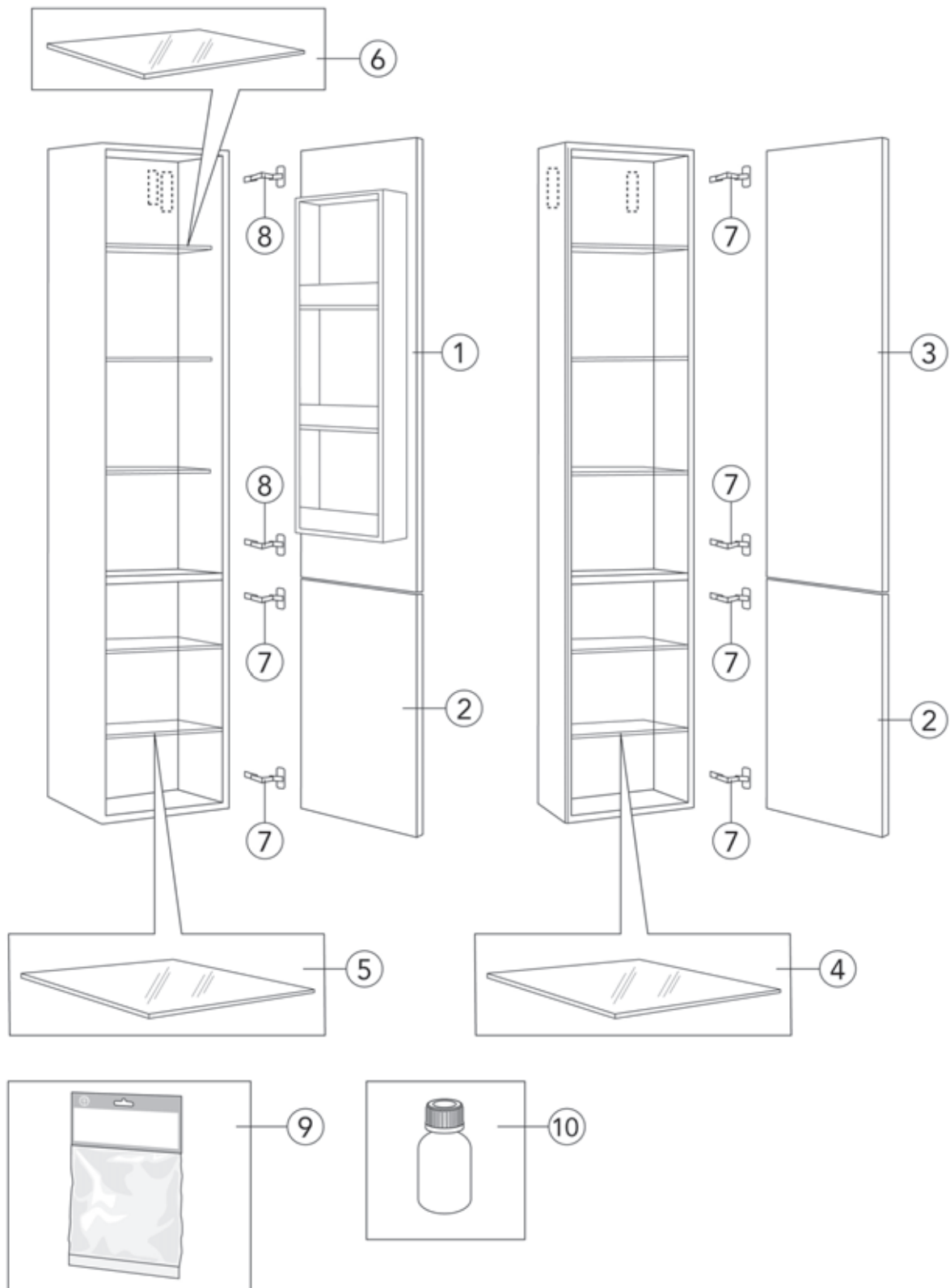
RESERVEDELER





Reservevedeler - Artic høyskap år 2016 -

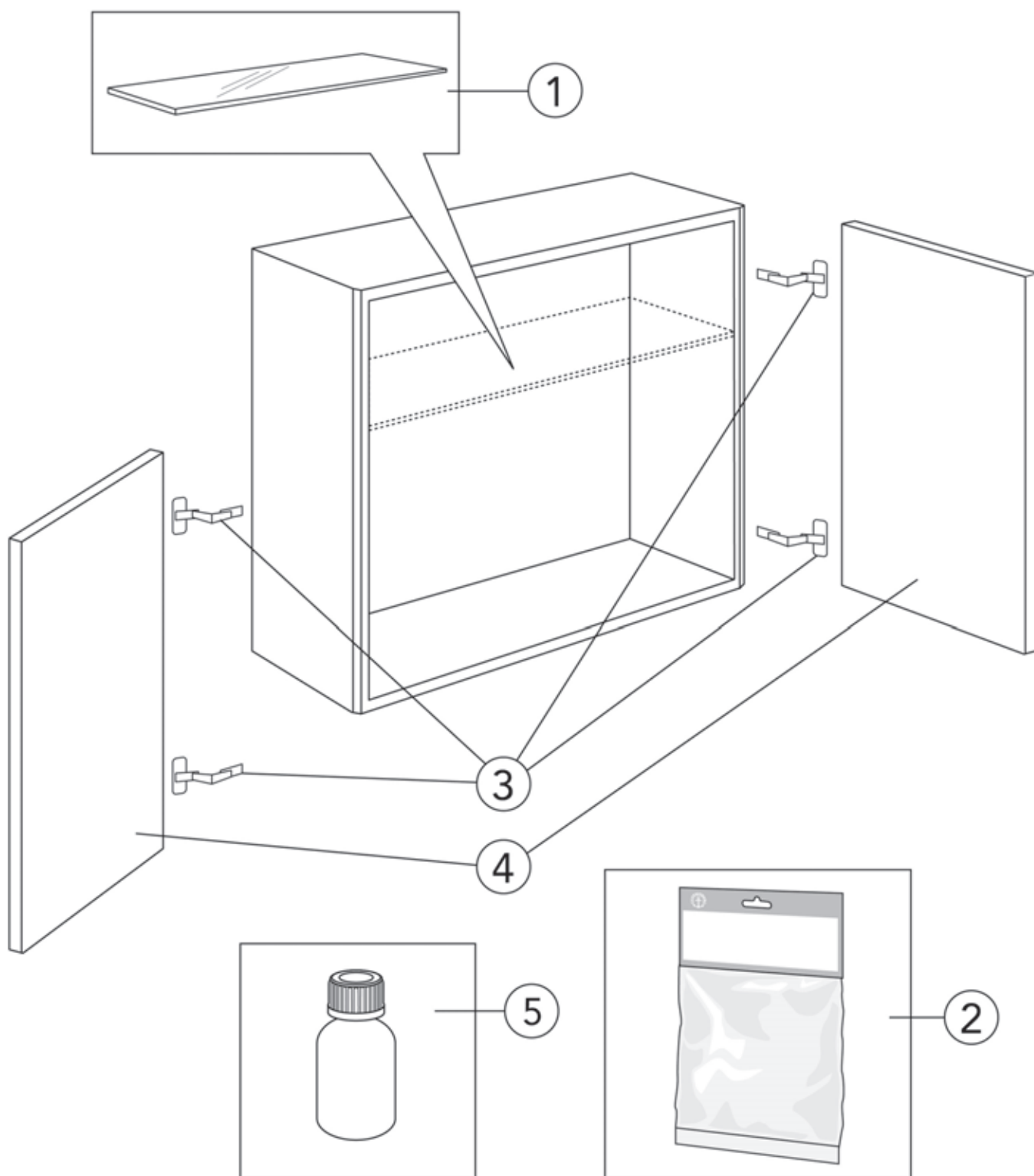
DETALJENUMMER OG PRODUKT	NRF. NR.	ART. NR.	VEIL. PRIS EKS. MVA.	VEIL. PRIS INKL. MVA.
1 Glasshylleplate 1 stk		GB8148000079	217	271
2 Reservevedelspose 1		GB8148000005	722	902
3 Dørhengsler 110 grader 1 stk		GB8148000113	217	271
4 Forbedringsfarge hvit, NCS-S-0500		GB8148000003	162	203
5 Dør øvre, hvit		GB8148000117	1.624	2.030
5 Dør øvre, hvit rammeluke		GB8148000118	1.624	2.030
5 Dør øvre, svart eik		GB8148000119	1.805	2.256
6 Dør nedre, hvit		GB8148000120	1.173	1.466
6 Dør nedre, hvit rammeluke		GB8148000121	1.263	1.579
6 Dør nedre, svart eik		GB8148000122	1.444	1.805





Reservevedeler - Graphic høyskap år 2016 -

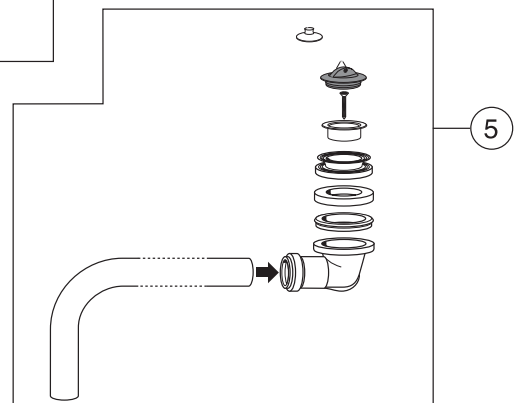
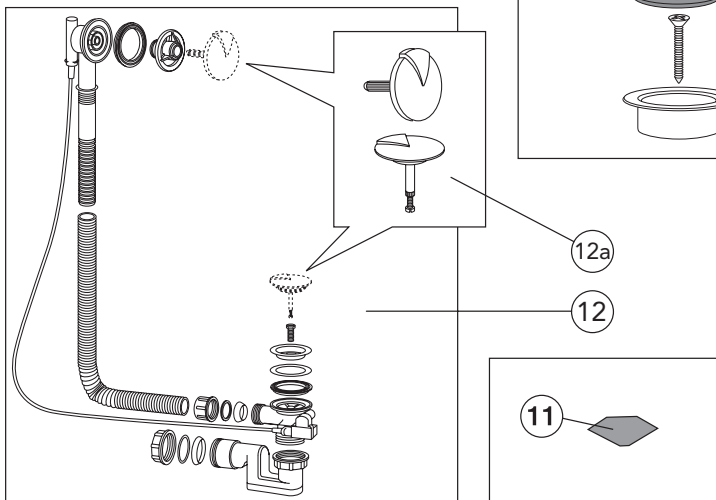
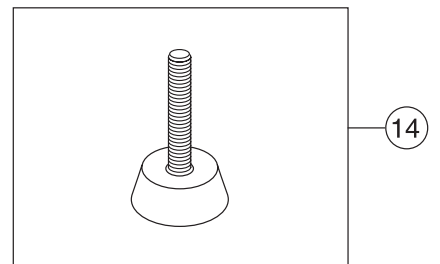
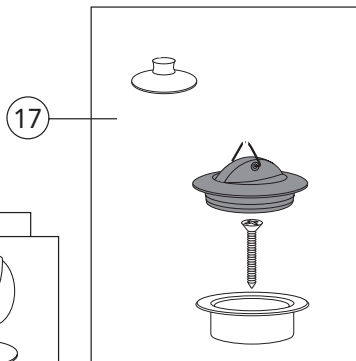
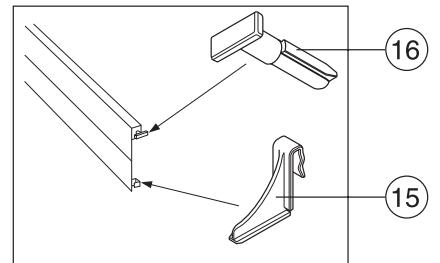
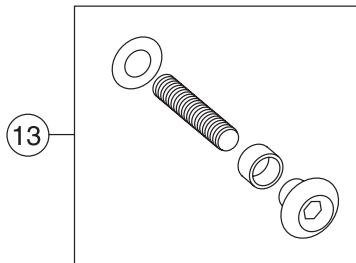
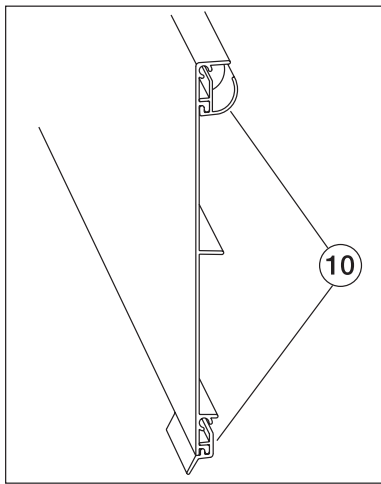
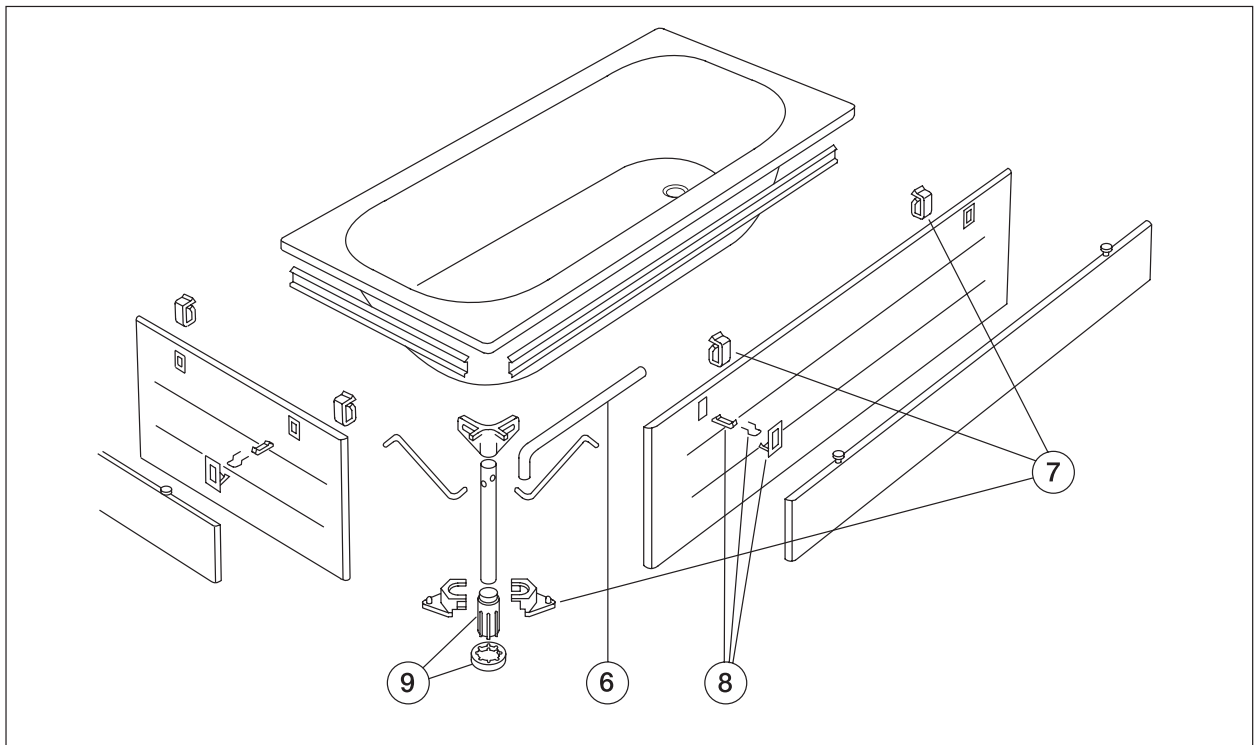
DETALJENUMMER OG PRODUKT	NRF. NR.	ART. NR.	VEIL. PRIS EKS. MVA.	VEIL. PRIS INKL. MVA.
1 Dør øvre, hvit spor		GB8148000104	1.715	2.143
1 Dør øvre, hvit		GB8148000103	1.715	2.143
1 Dør øvre 32 cm dyp, grønn		GB8148000131	1.715	2.143
2 Dør nedre, grå		GB8148000108	1.173	1.466
2 Dør nedre, grønn		GB8148000132	1.173	1.466
3 Dør øvre 16 cm dyp, grønn		GB8148000133	1.624	2.030
3 Dør øvre, hvit		GB8148000109	1.624	2.030
3 Dør øvre, hvit spor		GB8148000110	1.624	2.030
3 Dør øvre, grå		GB8148000111	1.624	2.030
4 Glasshilleplate, 16 cm dyp		GB8148000043	217	271
5 Glasshilleplate, 32 cm dyp, nedre dør		GB8148000044	271	338
6 Glasshilleplate, 32 cm dyp, øvre dør		GB8148000098	271	338
7 Dørhengsler 110 grader, 1 stk		GB8148000112	108	135
8 Dørhengsler. 1 stk, 32 cm dyp		GB8148000014	217	271
9 Reservevedelpose 1		GB8148000005	722	902
10 Forbedringsfarge grå, NCS-S4502-Y		GB8148000004	162	203
10 Forbedringsfarge hvit, NCS-S-0500		GB8148000003	162	203
10 Forbedringsfarge grønn, NCS-7010-G50Y		GB8148000136	162	203



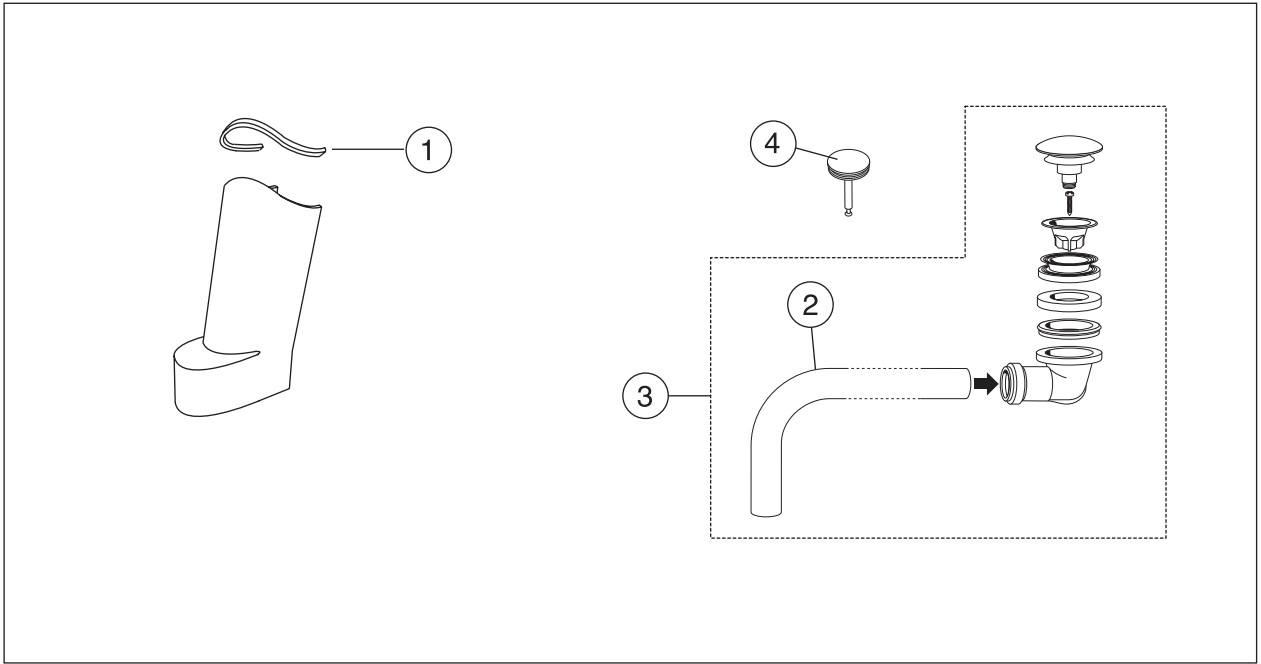


Reservevedeler - Graphic veggskap år 2016 -

DETALJENUMMER OG PRODUKT	NRF. NR.	ART. NR.	VEIL. PRIS EKS. MVA.	VEIL. PRIS INKL. MVA.
1 Glasshylleplate 16 cm dyp		GB8148000053	289	361
1 Glasshylleplate 32 cm dyp		GB8148000054	325	406
2 Reservevedelspose 4		GB8148000008	541	677
3 Dørhengsler 110 grader		GB8148000112	108	135
4 Dør, hvit		GB8148000114	1.083	1.354
4 Dør, hvit med spor		GB8148000115	1.173	1.466
4 Dør, grå		GB8148000116	1.263	1.579
4 Dør, grønn		GB8148000134	1.263	1.579
5 Forbedringsfarge grå, NCS-S-4502-Y		GB8148000004	162	203
5 Forbedringsfarge hvit, NCS-S-0500		GB8148000003	162	203
5 Forbedringsfarge grønn, NCS-7010-G50Y		GB8148000136	162	203



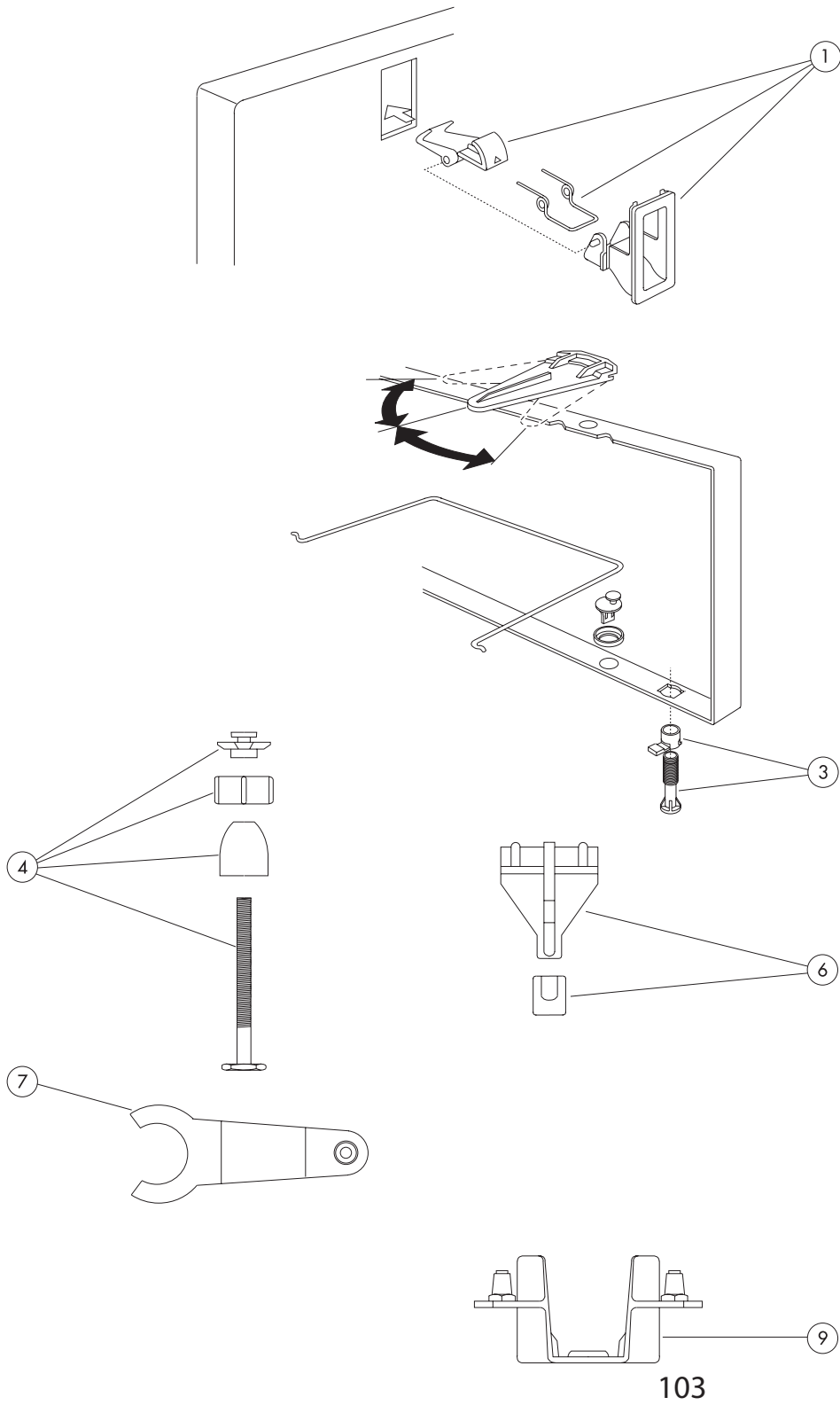
DETALJENUMMER OG PRODUKT		NRF. NR.	ART. NR.	VEIL. PRIS EKS. MVA.	VEIL. PRIS INKL. MVA.
5 Ventilhus med propp til samtlige standardbadekar	2009-	6030129	GB2929900175	117	146
6 Utløpsrør til samtlige standardbadekar, hvit		6031935	GB2929900172	182	228
8 Frontlås til samtlige badekar, hvit	1986-2000	6031865	GB2929900115	77	96
10 Hake + fjær til helfrontstativ (UTGÅR, RESTLAGER)	2000-2009	6031715	GB2929900228	190	238
11 Hjørnebeskyttelse til samtlige standard-badekar for frontstativ (4 styck)	2000-	6030157	GB2929900110	249	311
12 Avløpsett	2011-	6031722	GB2924300155	1.076	1.345
12a Ventilpropp/vrider	2000-	6031723	GB2924300156	388	485
14 Stillbare føtter til hel-, halv- samt designfrontstativ (4 stk)	2002-	6030552	GB2929970004	222	278
15 Plastneppert f/sokkel helfront/gavel	2009-	6031735	GB2929970001	159	199
16 Styrestift f/sokkel helfront/gavl	2009-	6031736	GB2929970002	98	123
17 Utbyttepropp (sil, skrue, svart gummipropp og kjede) Tube med emaljelakk. Hvit (UTGÅTT)	2010-	6030553	GB2929900174	117	146





Reservevedeler - Frontfester for badekar 6316/6368

DETALJENUMMER OG PRODUKT		NRF. NR.	ART. NR.	VEIL. PRIS EKS. MVA.	VEIL. PRIS INKL. MVA.
2 Utløpsrør, hvit		6031935	GB2929900172	182	228
3 Bunnventil pop-up, komplett til samtlige standardbadekar	-2009	6031737	GB2929970003	693	866
4 Propp f/wirereg.bunnventil, hvit (UTGÅTT)					

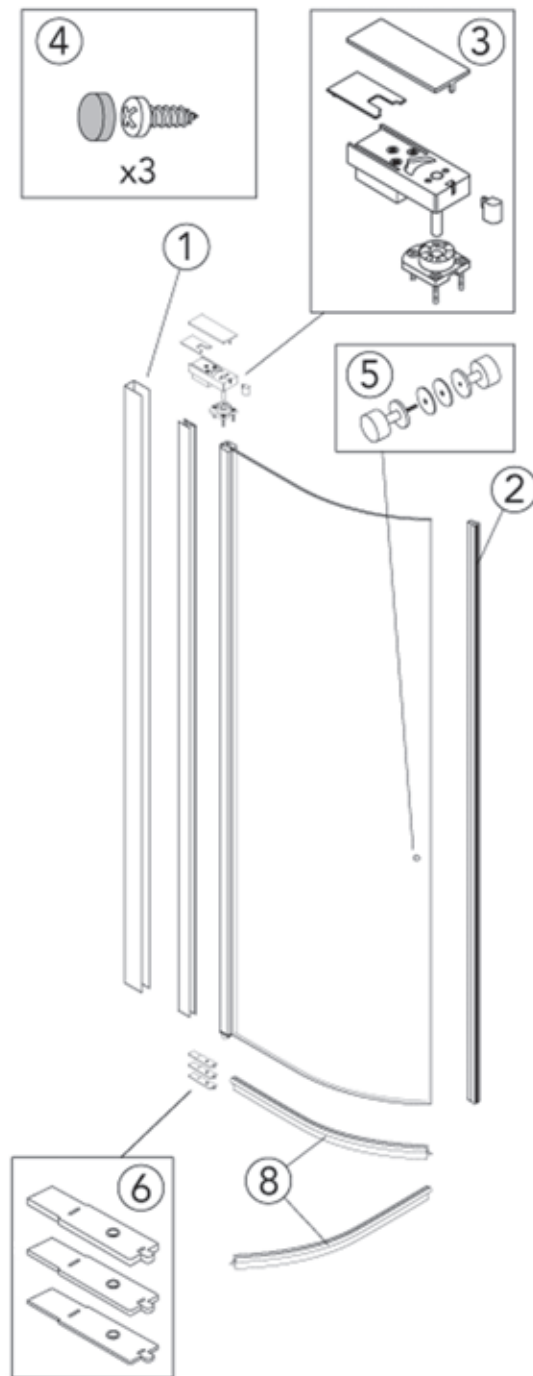


RESERVEDELER



Reserve deler - Badekarfront og gavl

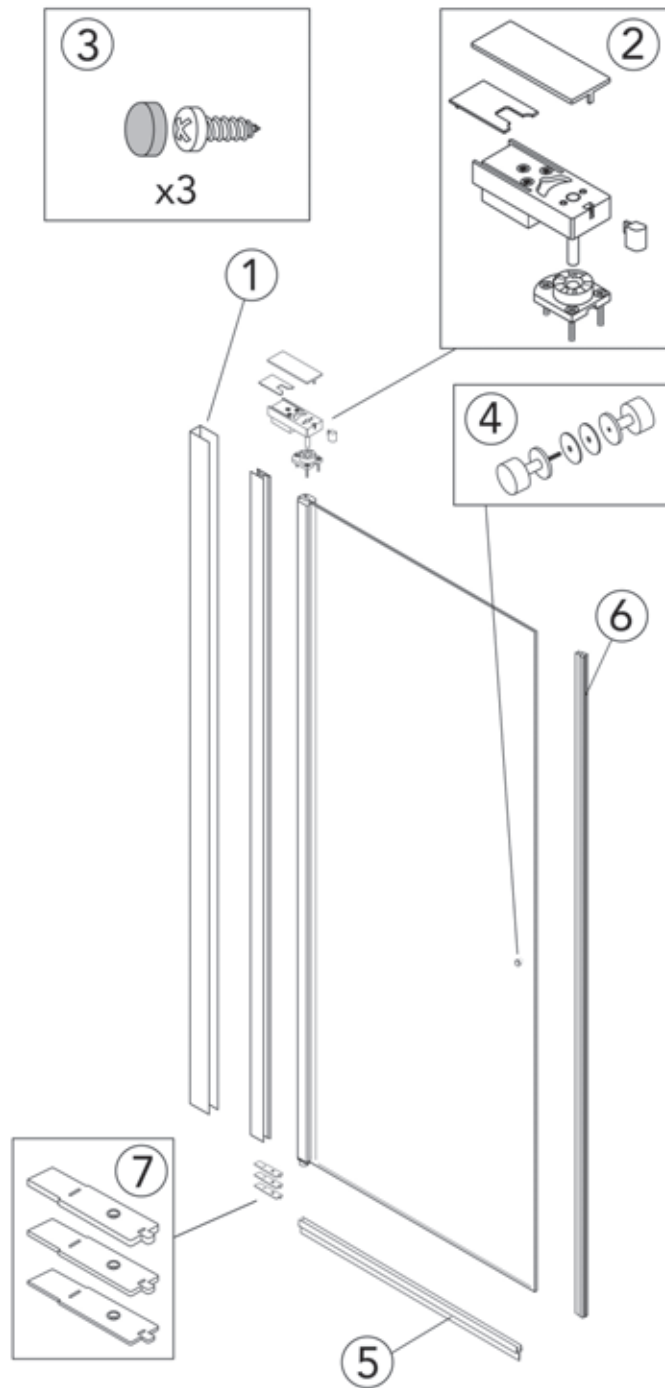
DETALJENUMMER OG PRODUKT		NRF. NR.	ART. NR.	VEIL. PRIS EKS. MVA.	VEIL. PRIS INKL. MVA.
1 Frontlås, sneppert.Mod.5-6-7. GB/Evalet, hvit	1986-1992	6031865	GB2929900115	77	96
3 Front/gavlstøtte til badekar: 3160, 4401, 3165, (RESTLAGER) 3165-3-9000, 4005, 4155-2, 4305, 4405, 4405-3-9000	-1992	6031868	GB2929900117	93	116
4 Front/gavlstøtte til badekar: 3006, 4001, 4150, 4301 (UTGÅTT)	-1988				
6 Øvre front/gavlfeste til badekar: 3006, 4001, 4150, 4301 (UTGÅTT)	-1988				
7 Fronthake til badekar: 3006, 4001 (UTGÅR, RESTLAGER)	-1988	6031909	GB2929900120	69	86
9 Øvre frontfeste til badekar: 3160 (UTGÅTT) Ventilpropp m/O-ring fra 2001	-1991	6030129	GB2929900175	117	146





Reservevedeler - Round dusjhjørne for hjørnemontering år 2019 -

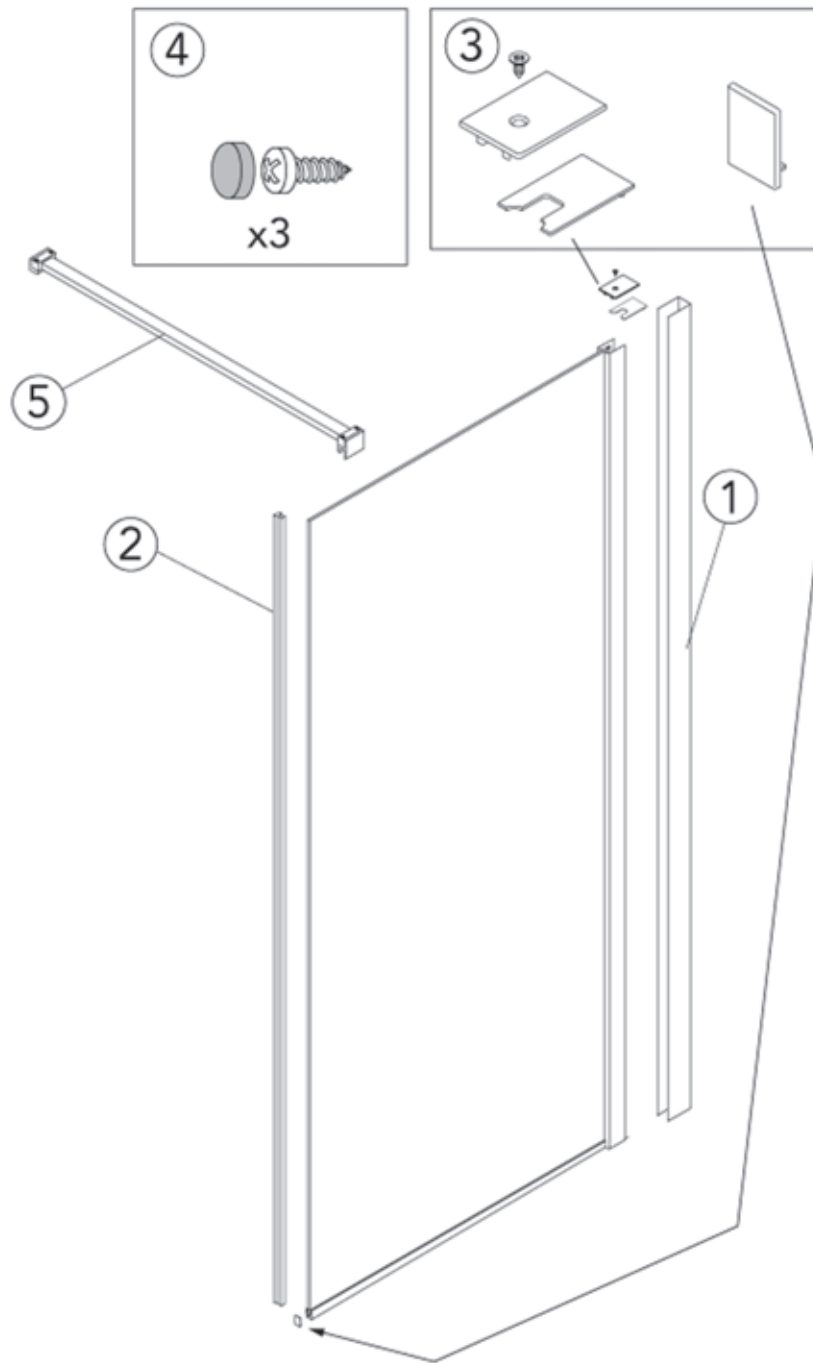
DETALJENUMMER OG PRODUKT	NRF. NR.	ART. NR.	VEIL. PRIS EKS. MVA.	VEIL. PRIS INKL. MVA.
1 Veggprofil aluminium		GB59SESP0002	547	684
2 Magnetlist		GB59SESP0003	297	371
3 Stigergangjern, komplett sats		GB59SESP0005	485	606
4 Skruesats for montering		GB59SESP0006	86	107
5 Dusjknott blankpolert		GB59SESP0001	285	357
6 Forhøyningssats Square/Round		GB59SESP0007	222	278
8 Slepelist, rund		GB48SESP0008	351	439





Reservevedler - Square dusjhjørne for hjørnemontering år 2019 -

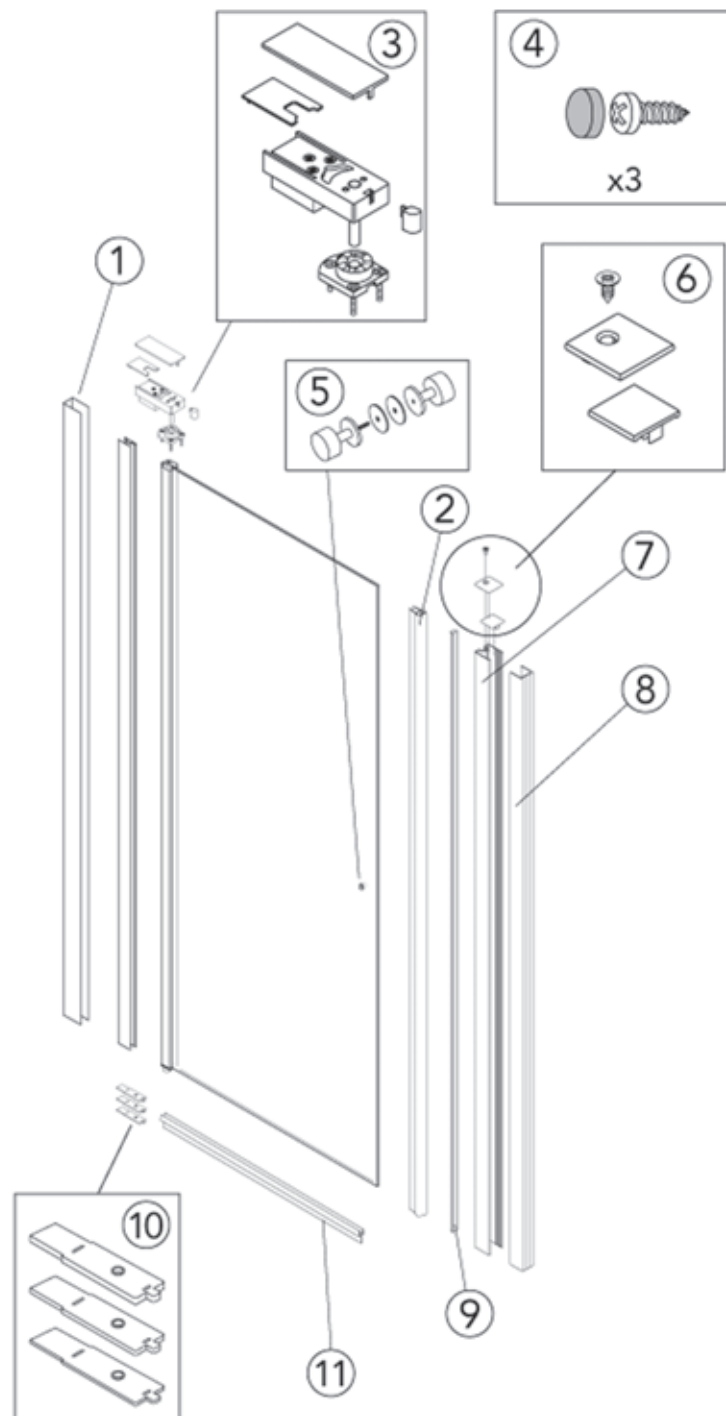
DETALJENUMMER OG PRODUKT	NRF. NR.	ART. NR.	VEIL. PRIS EKS. MVA.	VEIL. PRIS INKL. MVA.
1 Veggprofil aluminium		GB59SESP0002	547	684
2 Stigergangjern, komplett sats		GB59SESP0005	485	606
3 Skruesats for montering		GB59SESP0006	86	107
4 Dusjknott blankpolert		GB59SESP0001	285	357
5 Slepelist, rett		GB59SESP0004	183	228
6 Magnetlist		GB59SESP0003	297	371
7 Forhøyningssats Square/Round		GB59SESP0007	222	278





Reservedeler - Square fast dusjvegg år 2019 -

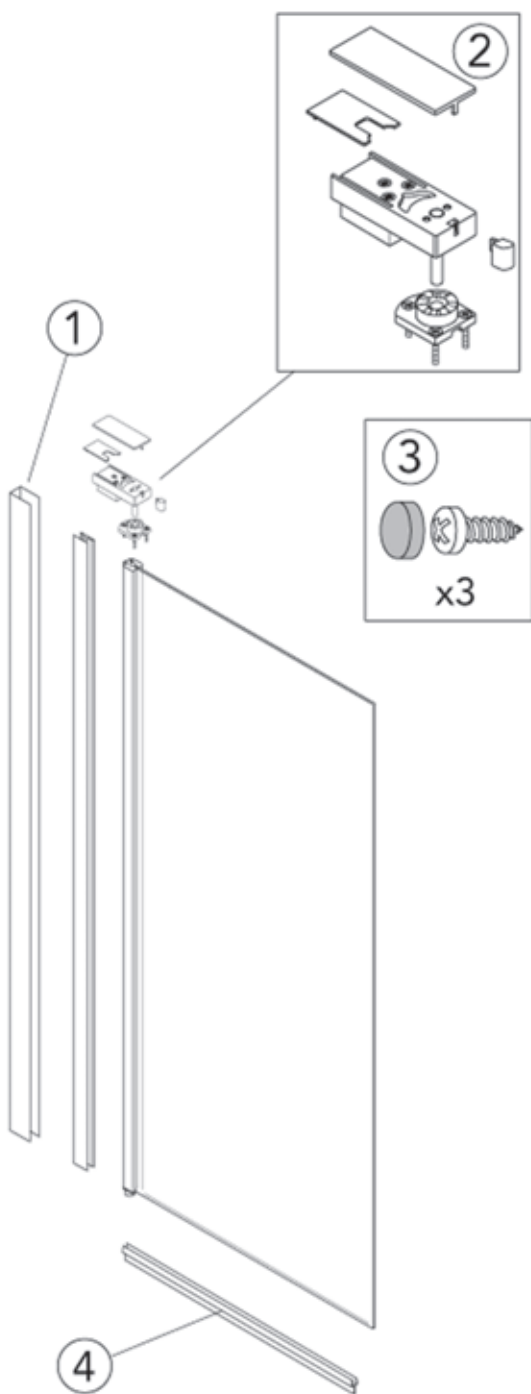
DETALJENUMMER OG PRODUKT	NRF. NR.	ART. NR.	VEIL. PRIS EKS. MVA.	VEIL. PRIS INKL. MVA.
1 Veggprofil aluminium, fast vegg		GB59SESP0009	485	606
3 Dekkelokksats		GB59SESP0011	319	399
4 Skruesats for montering		GB59SESP0006	86	107
5 Veggstang		GB59SESP0010	1.351	1.689





Reservevedler - Square nisjeprofil år 2019 -

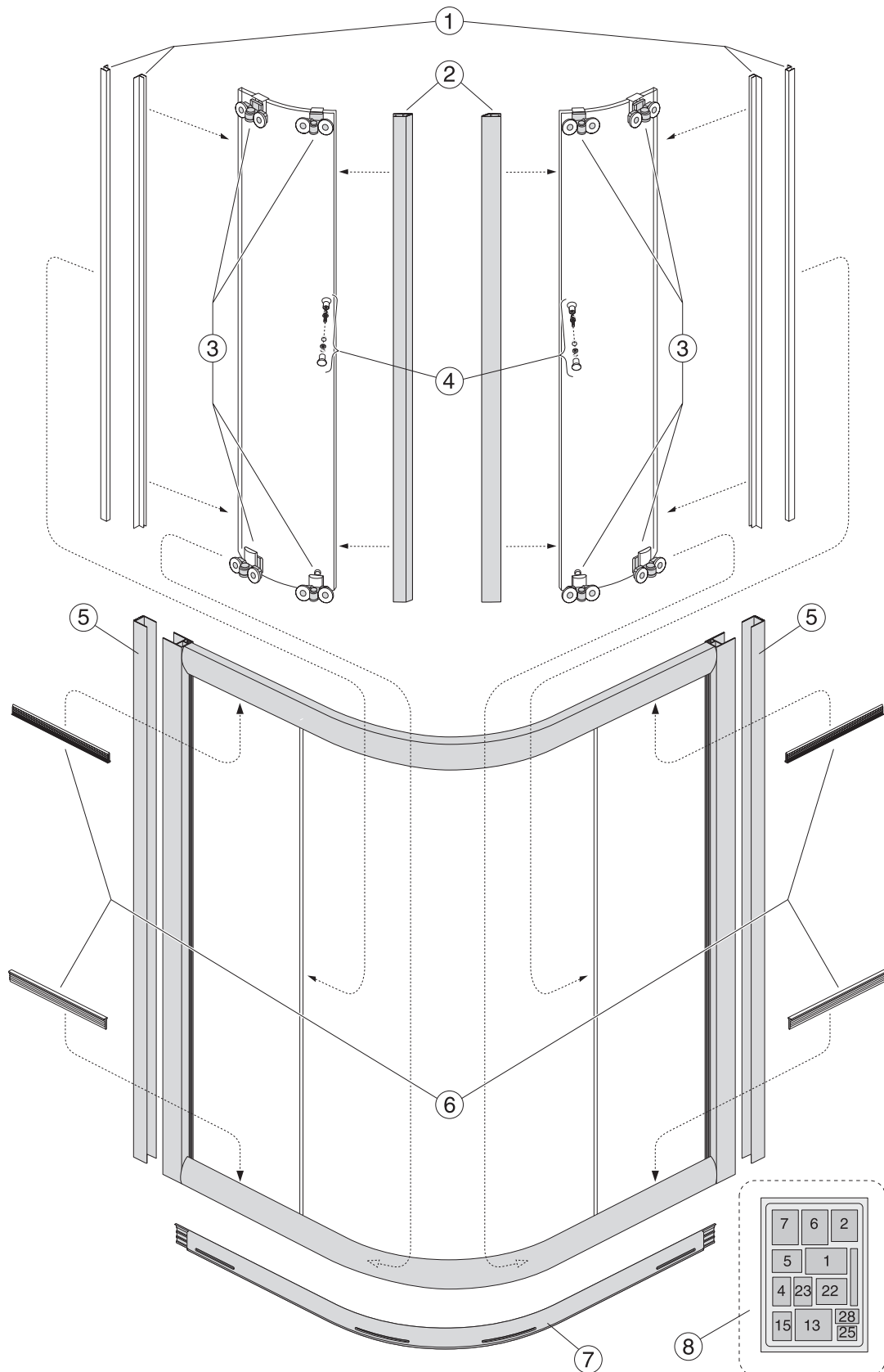
DETALJENUMMER OG PRODUKT	NRF. NR.	ART. NR.	VEIL. PRIS EKS. MVA.	VEIL. PRIS INKL. MVA.
2 Magnetlist (til dør)		GB59SESP0017	217	271
4 Skruesats for montering		GB59SESP0006	86	107
6 Dekkelokksats		GB59SESP0018	112	140
7 Magnetprofil aluminium		GB59SESP0015	308	385
8 Veggprofil aluminium		GB59SESP0014	291	364
9 Magnetlist (til nisjeprofil)		GB59SESP0016	160	200





Reservedeler - Square badekardør år 2019 -

DETALJENUMMER OG PRODUKT	NRF. NR.	ART. NR.	VEIL. PRIS EKS. MVA.	VEIL. PRIS INKL. MVA.
1 Veggprofil aluminium		GB59SESP0012	371	464
2 Stigergangjern, komplett sats		GB59SESP0005	485	606
3 Skruesats for montering		GB59SESP0006	86	107
4 Sleplis, rett		GB59SESP0013	94	117

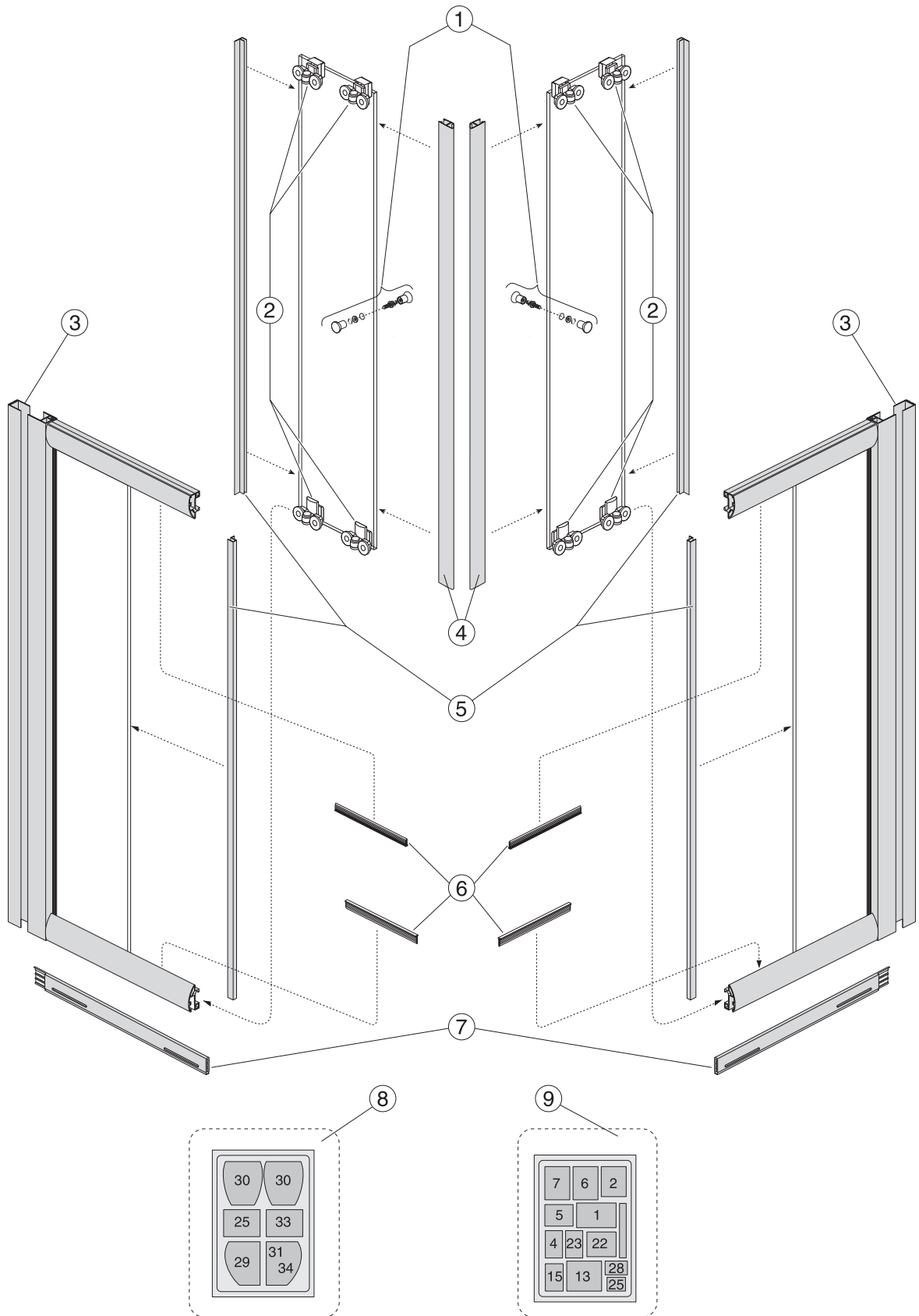


RESERVEDELER



Reservevedeler - NQ halvrundt dushjørne med skyvedører

DETALJENUMMER OG PRODUKT	NRF. NR.	ART. NR.	VEIL. PRIS EKS. MVA.	VEIL. PRIS INKL. MVA.
1 Tetningslist		UPGURSPG-6	317	396
2 Magnetlister, 2009-		UPGUED01020	317	396
3 Trinser, doble, sett 4 stk. Oppe nede for en dør		UPGUWH-6-61/2	235	294
4 Dørhåndtak	6301637	UDWDOORKNOBW-61	235	294
5 Veggprofil hvit		UPGUFY002-01	226	283
Veggprofil krom		UPGUFY002-61	226	283
6 Tetningslister		UPGUED03030	317	396
7 Justerbar gulvprofil		UPGUED02063D-01	235	294
8 Monteringsdetaljer, hvit		UPGUINSKGQ-01	376	470
Monteringsdetaljer, krom		UPGUINSKGQ-61	376	470

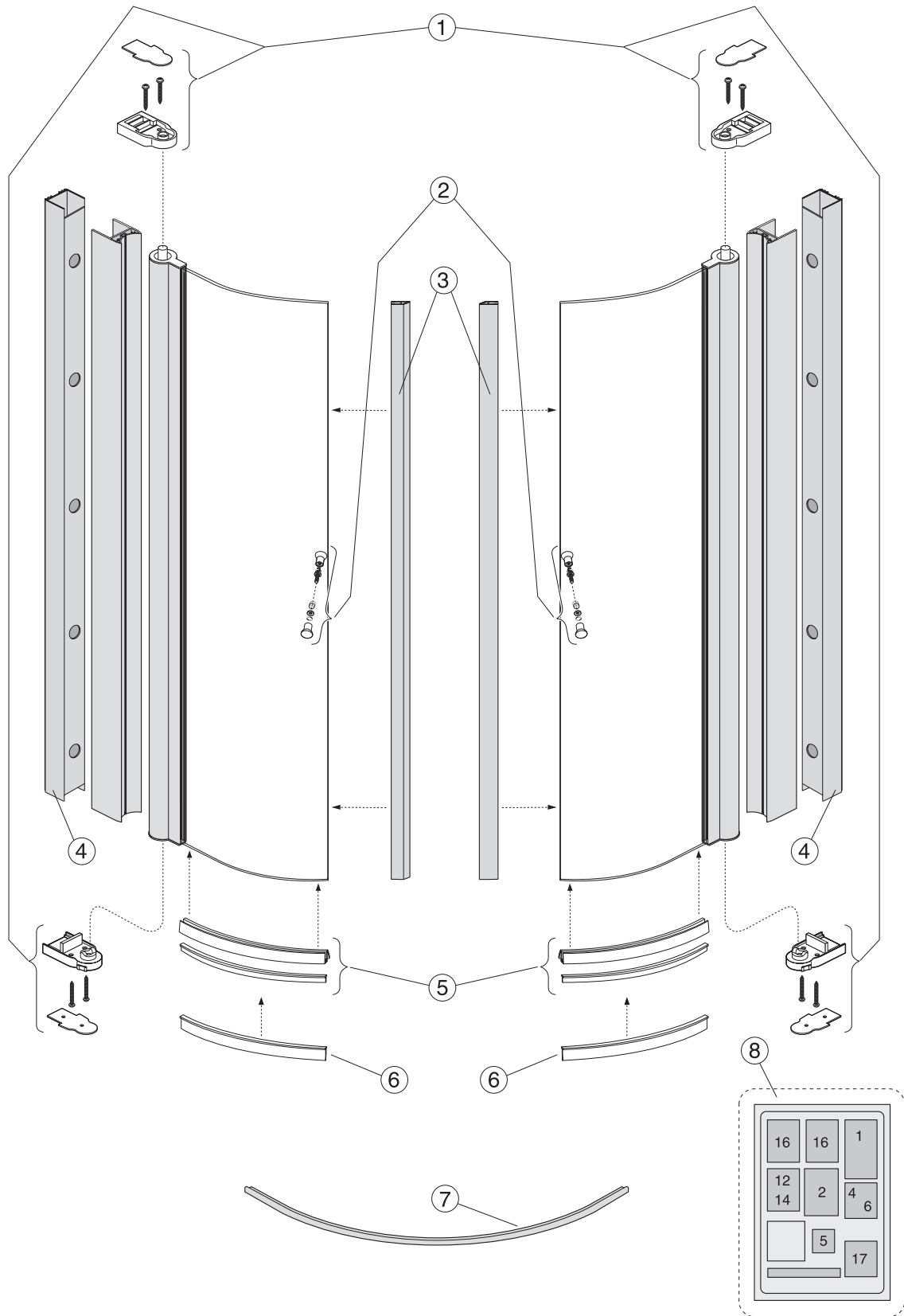


RESERVEDELER



Reservedeler - NC firkantet dusjhjørne med skyvedører

DETALJENUMMER OG PRODUKT	NRF. NR.	ART. NR.	VEIL. PRIS EKS. MVA.	VEIL. PRIS INKL. MVA.
1 Dørhåndtak, 2009-	6301637	UDWDOORKNOBW-61	235	294
2 Trinser, 2009-		UPGUWH-6-61/2	235	294
3 Veggprofil, hvit		UPGUFY002-01	226	283
Veggprofil, krom		UPGUFY002-61	226	283
4 Magnetlister		UPGUED01024	317	396
5 Tetningslister		UPGURSPG-8	235	294
6 Tetningslister		UPGUED03030	317	396
7 Gummisokkel m/hjul		UPGUED02063D-01	235	294
Monteringsdetaljer, hvit		UPGUCCT-01	235	294
8 Monteringsdetaljer, krom		UPGUCCT-61	235	294
Monteringsdetaljer, hvit		UPGUINSKGD-01	235	294
9 Monteringsdetaljer, krom		UPGUINSKGD-61	235	294
Trinser		UPGUWH-8-61/2	235	294

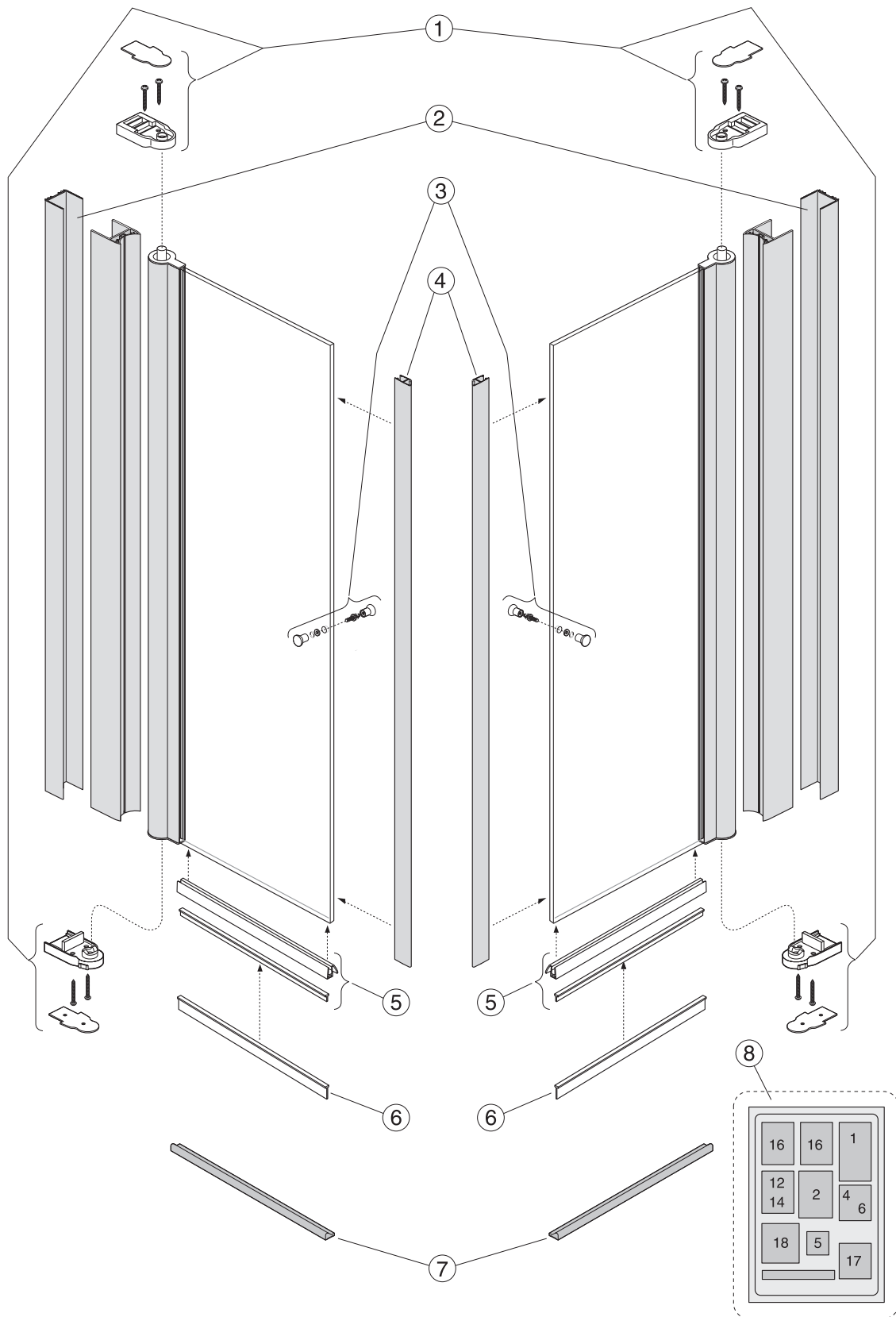


RESERVEDELER



Reservedeler - SQ dusjhjørne med buede slagdører

DETALJENUMMER OG PRODUKT	NRF. NR.	ART. NR.	VEIL. PRIS EKS. MVA.	VEIL. PRIS INKL. MVA.
1 Hjørnebeslag f/dør, opp/nede, 2009-		UPGUTHJ	317	396
2 Dørhåndtak, krom	6301637	UDWDOORKNOBW-61	235	294
3 Magnetlister		UPGUED01020	317	396
4 Veggprofil		UPGUFY-011	251	314
5 Tetningslist komplett		UPGUSWD-6	317	396
6 Tetningslist ekstra høy		UPGUSWD-8-L	317	396
7 Sokkel		UPGUALPQ	660	825
8 Monteringsdetaljer, krom		UPGUINSKJD-61	317	396

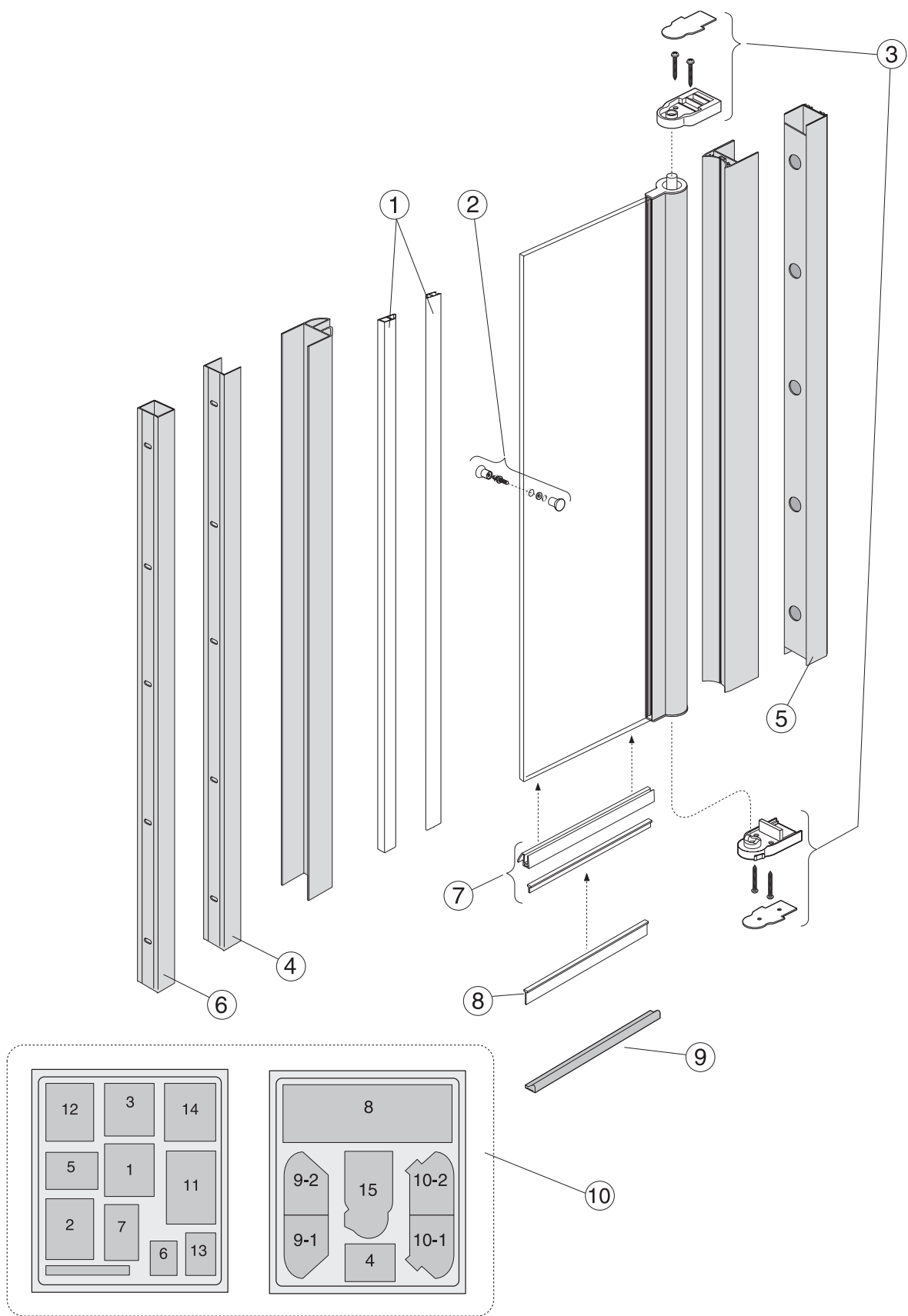


RESERVEDELER



Reservedeler - SC dusjhjørne med rette slagdører

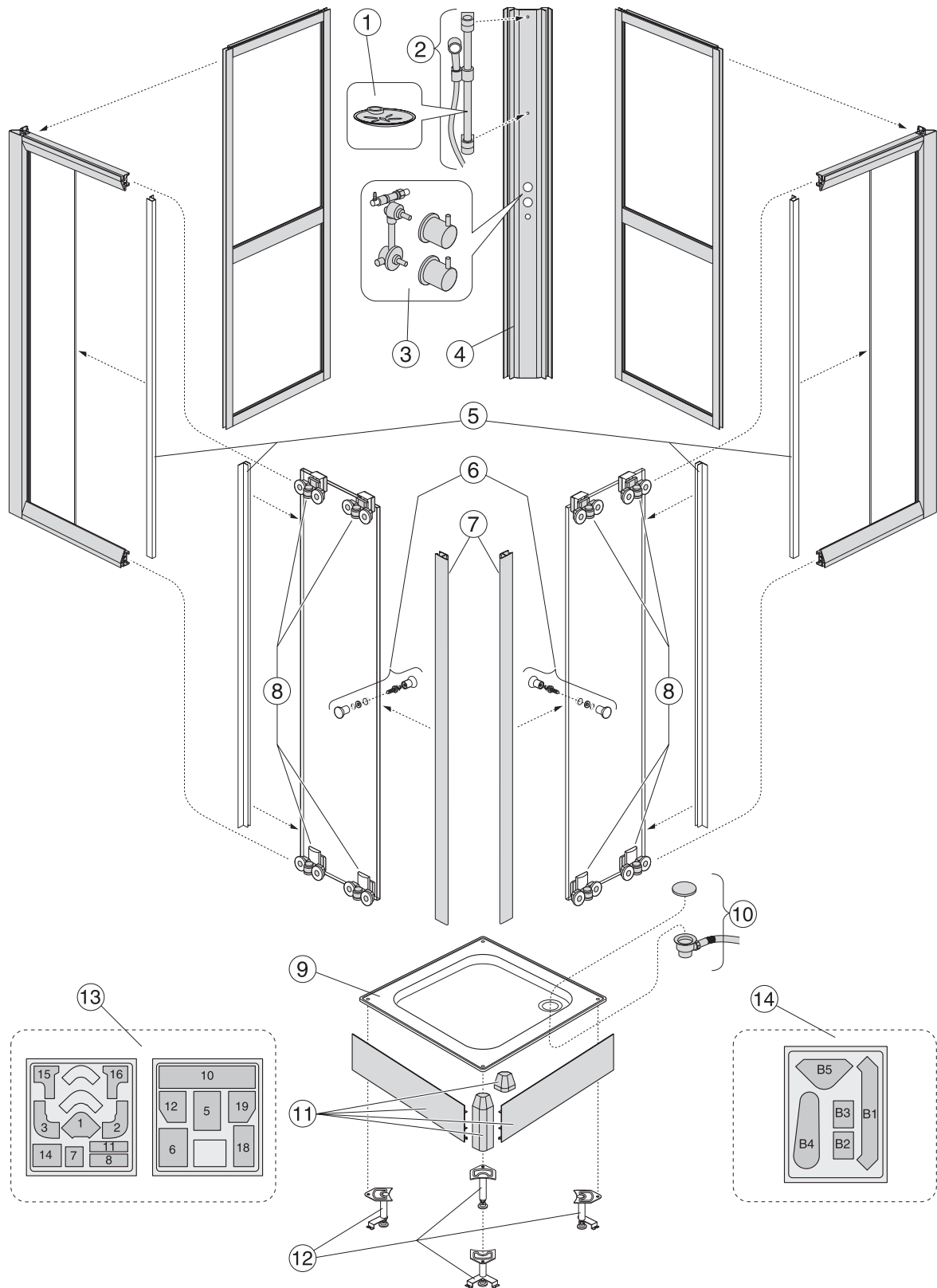
DETALJENUMMER OG PRODUKT	NRF. NR.	ART. NR.	VEIL. PRIS EKS. MVA.	VEIL. PRIS INKL. MVA.
1 Hjørnebeslag, 2009-		UPGUTHJ	317	396
2 Veggprofil		UPGUFY-011	251	314
3 Dørhåndtak	6301637	UDWDOORKNOBW-61	235	294
4 Magnetlister		UPGUED01024	317	396
5 Tetningslister komplett		UPGUSWD-8	317	396
6 Tetningslister ekstra høy		UPGUED02099	311	389
7 Sokkel		UPGUALPD	619	774
8 Monteringsdetaljer		UPGUINSKJD-61	317	396





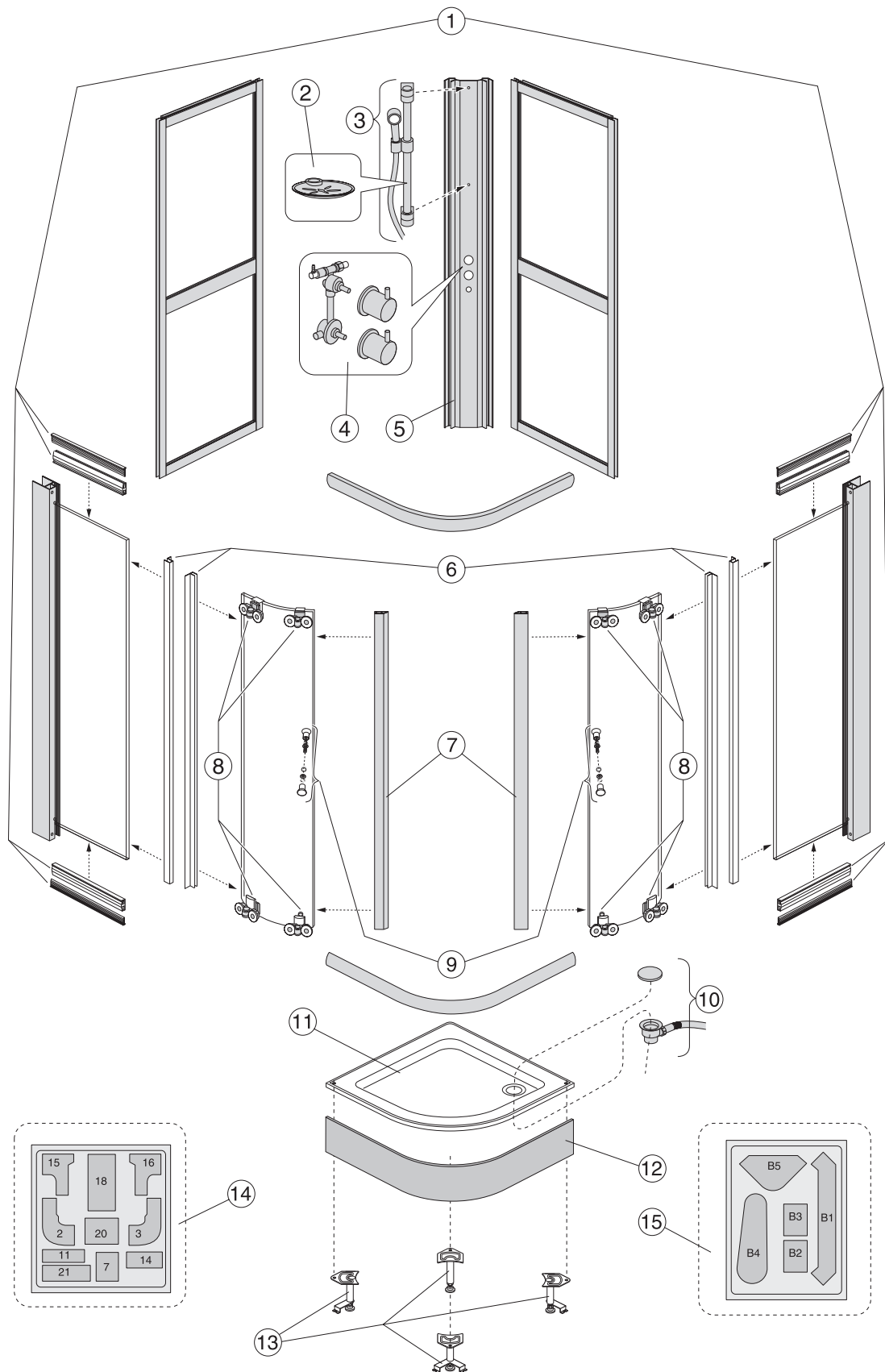
Reservevedeler - SA slagdører for nisjemontering

DETALJENUMMER OG PRODUKT	NRF. NR.	ART. NR.	VEIL. PRIS EKS. MVA.	VEIL. PRIS INKL. MVA.
1 Magnetlister, 2009-		UPGUMAGSP	317	396
2 Dørhåndtak, 2009-	6301637	UDWDOORKNOBW-61	235	294
3 Monteringsdetaljer for dørprofil, 2009-		UPGUTHJ	317	396
4 Veggprofil, 2009-		UPGUFY-011	251	314
5 Tetningslist komplett, 2009-		UPGUSWD-8	317	396
6 Tetningslist ekstra høy, 2009-		UPGUSWD-8-L	317	396
7 Sokkel, 2009- (UTGÅTT)		UPGUALPALCV	619	774
8 Monteringdetaljer, 2009-		UPGUINSKALC	317	396



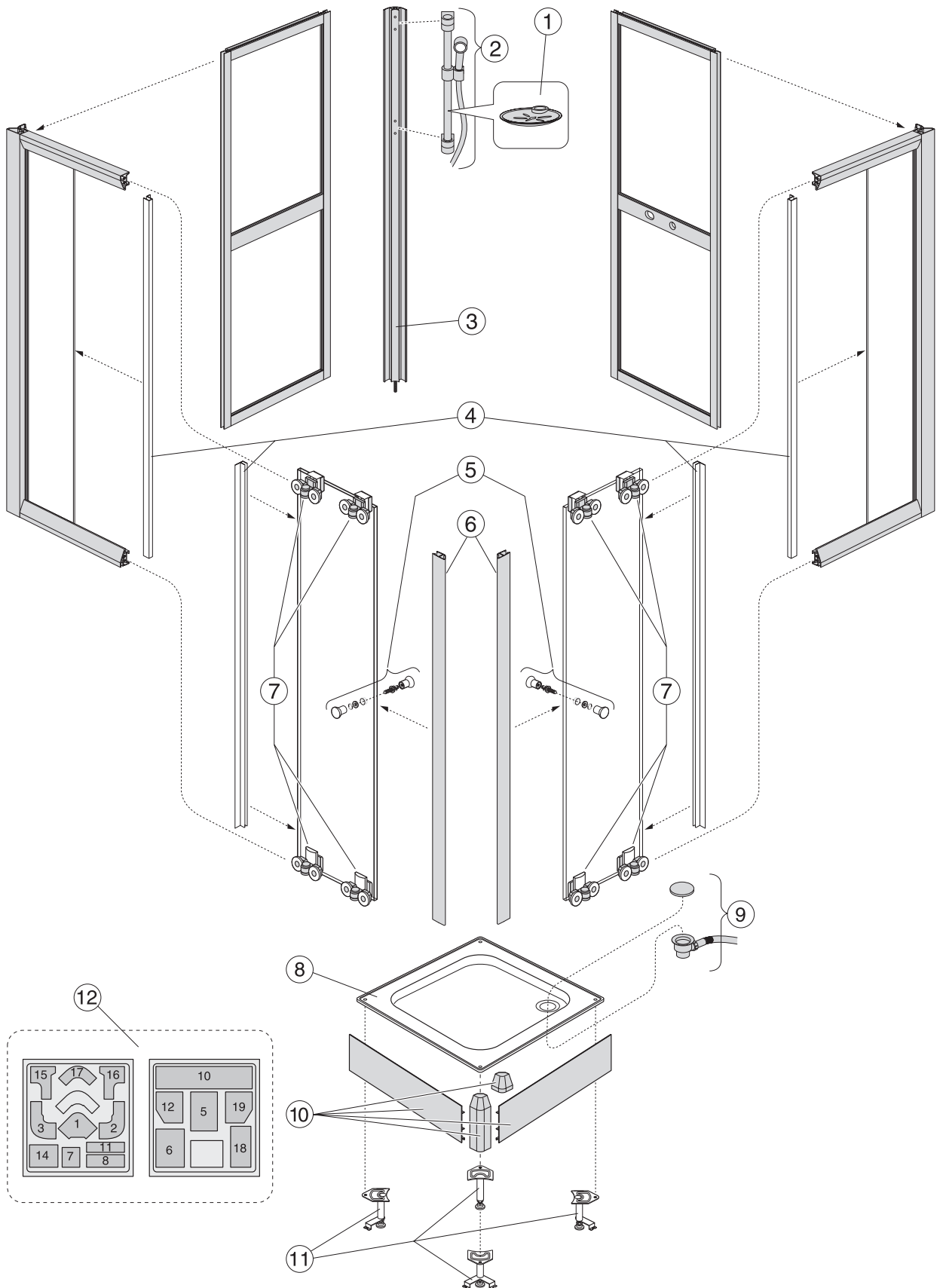
RESERVEDELER

DETALJENUMMER OG PRODUKT	NRF. NR.	ART. NR.	VEIL. PRIS EKS. MVA.	VEIL. PRIS INKL. MVA.
Med blandebatteri, år 2010-				
3 Blandebatteri		UCTAP0259	2.429	3.036
5 Tetningslister		UPGUCURSP	235	294
6 Dørhåndtak	6301637	UDWDOORKNOBW-61	235	294
7 Magnetlister		UPGUED01020	317	396
8 Trinser		UPGUWH-6-61/2	235	294
10 NY avløpssett		U90880261	1.004	1.255
Frontpanel, krom		UPGUPCC90-61	1.202	1.503
11 Frontpanel, hvit		UPGUPCC90-01	1.202	1.503
12 Fotsats		UPGUTFS	305	381
Monteringsdetaljer, krom		UPGUINSKCU-61	317	396
13 Monteringsdetaljer, hvit		UPGUINSKCU-01	317	396
Monteringsdetaljer, krom		UPGUINSKBW-61	317	396
14 Monteringsdetaljer, hvit		UPGUINSKBW-01	317	396



RESERVEDELER

DETALJENUMMER OG PRODUKT	NRF. NR.	ART. NR.	VEIL. PRIS EKS. MVA.	VEIL. PRIS INKL. MVA.
Med blandebatteri, år 2010-				
1 Tetningslister		UPGUED03030	317	396
4 Blandebatteri		UCTAP0259	2.429	3.036
6 Tetningslister		UPGURSPG-6	317	396
7 Magnetlister		UPGUED01020	317	396
8 Trinser		UPGUWH-6-61/2	235	294
9 Dørhåndtak	6301637	UDWDOORKNOBW-61	235	294
10 NY avløpssett		U90880261	1.004	1.255
Frontpanel, krom		UPGUBP90-61	1.202	1.503
12 Frontpanel, hvit		UPGUBP90-01	1.202	1.503
13 Fotsats		UPGUTFQ	205	256
Monteringsdetaljer, krom		UPGUINSKLO-61	317	396
14 Monteringsdetaljer, hvit		UPGUINSKLO-01	317	396
Monteringsdetaljer, krom		UPGUINSKBW-61	317	396
15 Monteringsdetaljer, hvit		UPGUINSKBW-01	317	396

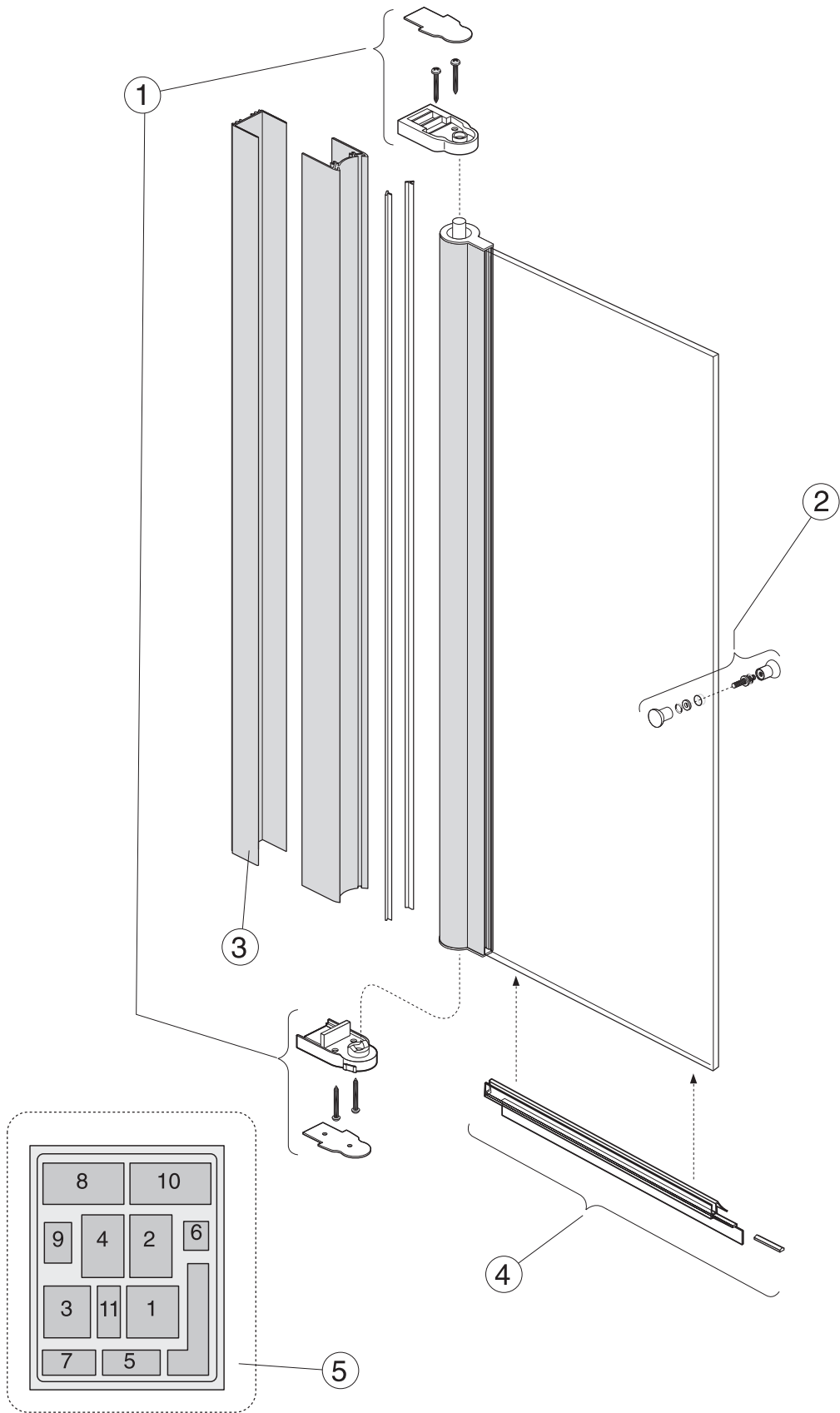


RESERVEDELER



Reservedeler - NCC og NOC firkantet hjørnekabinett

DETALJENUMMER OG PRODUKT	NRF. NR.	ART. NR.	VEIL. PRIS EKS. MVA.	VEIL. PRIS INKL. MVA.
3 Hjørnestolpe, krom		UPGUYDG262-69-61	347	434
Hjørnestolpe, hvit		UPGUYDG262-69-01	321	401
4 Tetningslister		UPGUCURSP	235	294
5 Dørhåndtak	6301637	UDWDOORKNOBW-61	235	294
6 Magnetlister		UPGUED01020	317	396
7 Trinser		UPGUWH-6-61/2	235	294
9 Avløpssett (UTGÅTT)				
9 NY avløpssett		U90880261	1.004	1.255
10 Frontpanel, krom		UPGUPCC90-61	1.202	1.503
Frontpanel, hvit		UPGUPCC80-01	1.202	1.503
11 Fotsats		UPGUTFS	205	256
Monteringsdetaljer, krom		UPGUINSKCU-61	317	396
12 Monteringsdetaljer, hvit		UPGUINSKCU-01	317	396

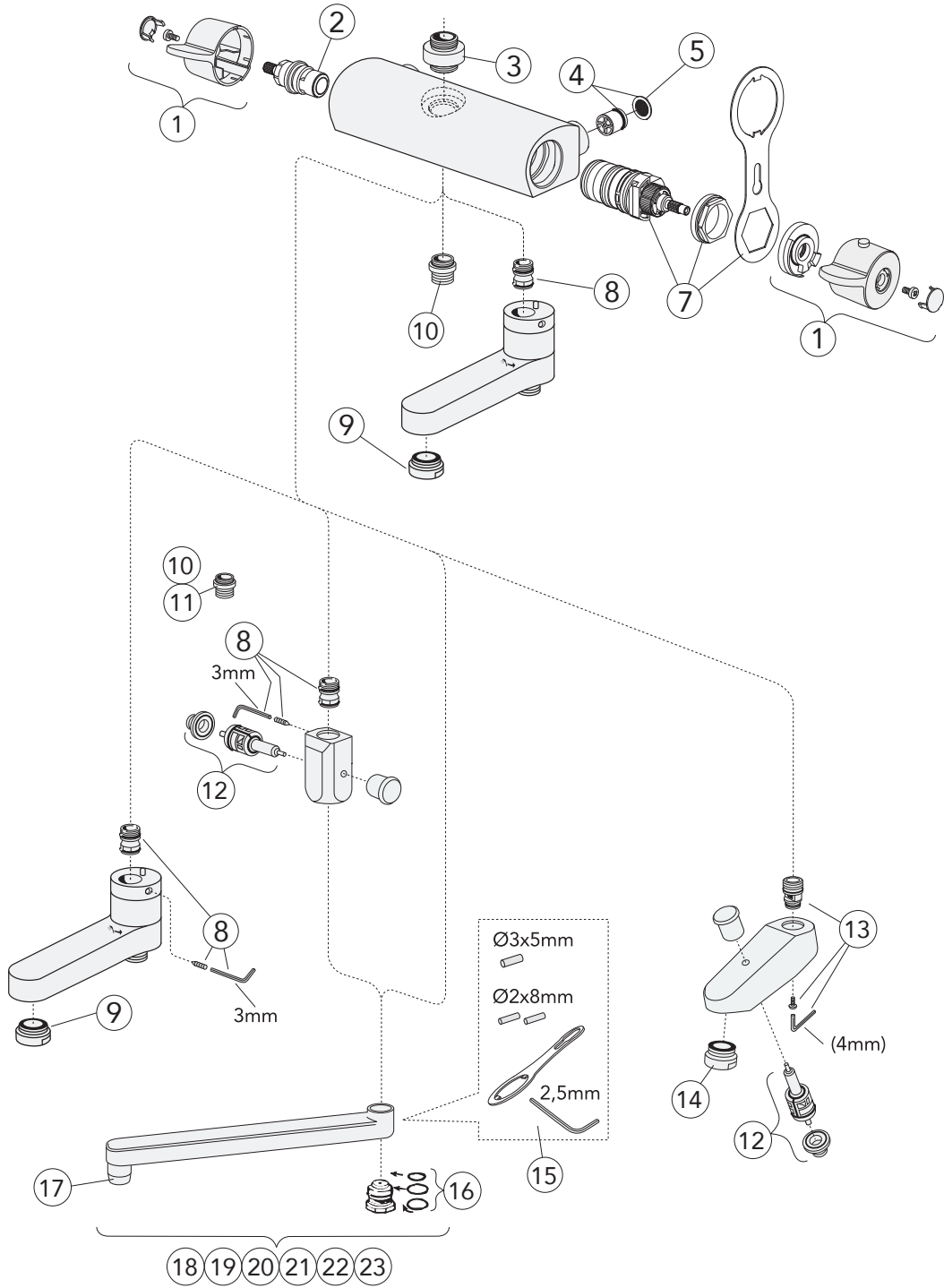


RESERVEDELER



Reservedeler - LB badekarvegg

DETALJENUMMER OG PRODUKT	NRF. NR.	ART. NR.	VEIL. PRIS EKS. MVA.	VEIL. PRIS INKL. MVA.
1 Monteringsdetaljer f/dør		UPGUTHWF7201	170	213
2 Dørhåndtak		UDWDOORKNOB2W-61	235	294
3 Veggprofil		UPGUDS249	251	314
4 Sokkel		UPGUWDWF7201	619	774
5 Monteringsdetaljer		UPGUINWF7201	317	396

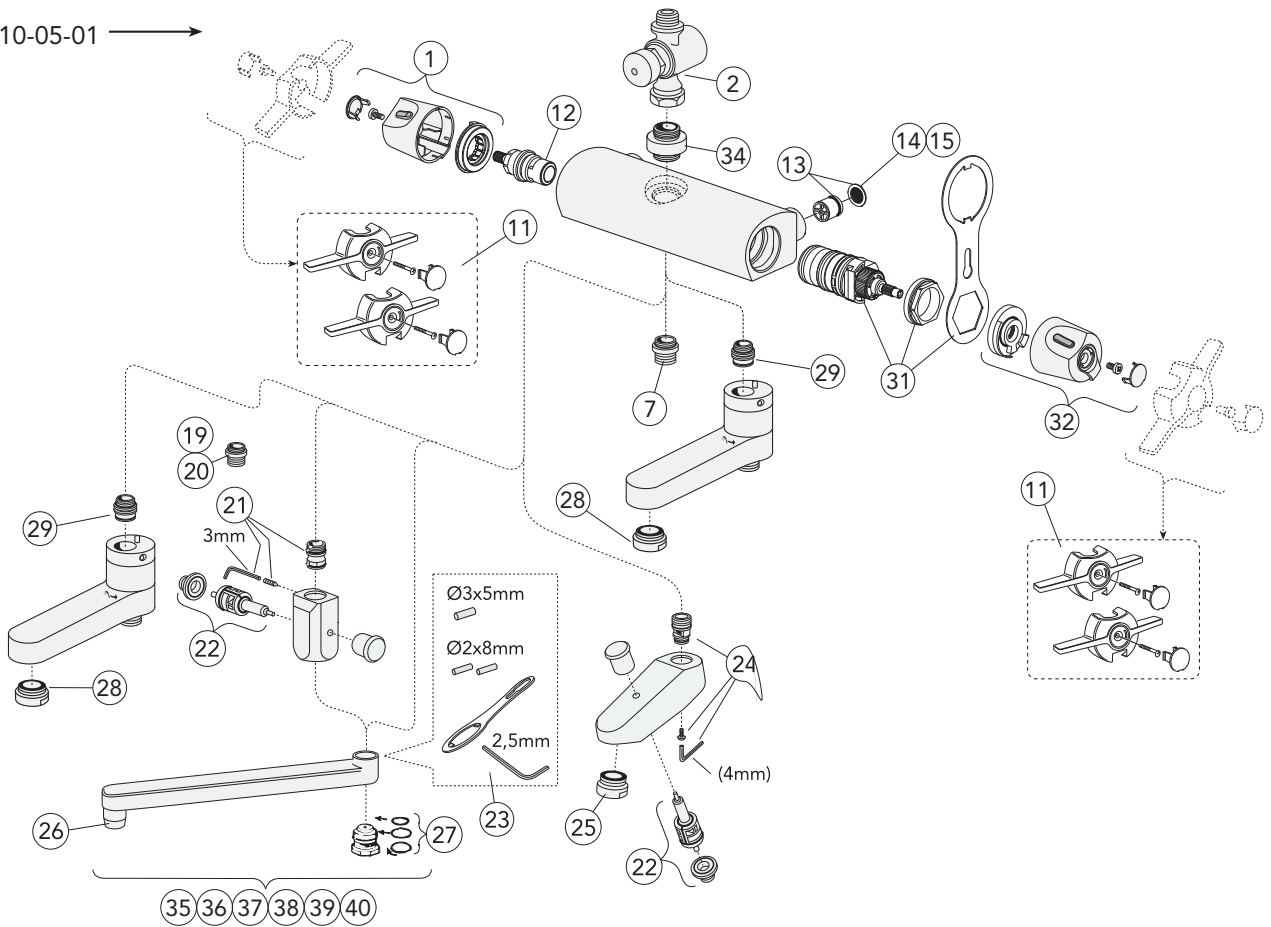


RESERVEDELER



DETALJENUMMER OG PRODUKT	NRF. NR.	ART. NR.	VEIL. PRIS EKS. MVA.	VEIL. PRIS INKL. MVA.
1 Ratt for mengde -og temperatursiden		GB41639080 01	194	243
2 Ventiloverstykke	4343314	GB41634035 01	155	194
3 Tilkoblingsnippel G1/2xG1/2	4341959	GB41638339 01	59	74
4 Tilbakeslagsventil med filter	4343096	GB41632698 02	168	210
5 Filter for tilbakeslagsventil	4343065	GB41635633 02	56	70
7 Termostatinsats (CA77N)	4342726	GB41638334 01	468	585
8 Tilkoblingsnippel for omkaster	4343362	GB41636359 01	59	74
9 Strålesamler M24x1 D	4342717	GB41637387 01	365	456
10 Tilkoblingsnippel G1/2-M20x1,5	4341962	GB41634757 01	155	194
11 Tilkoblingsnippel med Tilbakeslagsventil G1/2-M20x1,5	4343363	GB41634756 01	155	194
12 Draomkaster	4341963	GB41636577 01	286	358
13 Tilkoblingsnippel for utløpstut	4343368	GB41637347	155	194
14 Strålesamlere M28x1, krom	4343123	GB41634555 01	365	456
15 Detaljer for slagbegrensning tut	4342754	GB41633972	60	75
16 O-ringsats for utløpstut	4342755	GB41633952 01	64	80
17 Strålesamlere M24x1 B	4343241	GB41630131 01	106	133
18 Svingbar utløpstut 85 mm	4342879	GB41633631	528	660
19 Svingbar utløpstut 150 mm	4342877	GB41633632	528	660
20 Svingbar utløpstut 200 mm	4342878	GB41633633	703	879
21 Svingbar utløpstut 250 mm	4342868	GB41633614	727	909
22 Svingbar utløpstut 350 mm	4342625	GB41633616	930	1.163
23 Svingbar utløpstut 400 mm	4342626	GB41633624	972	1.215

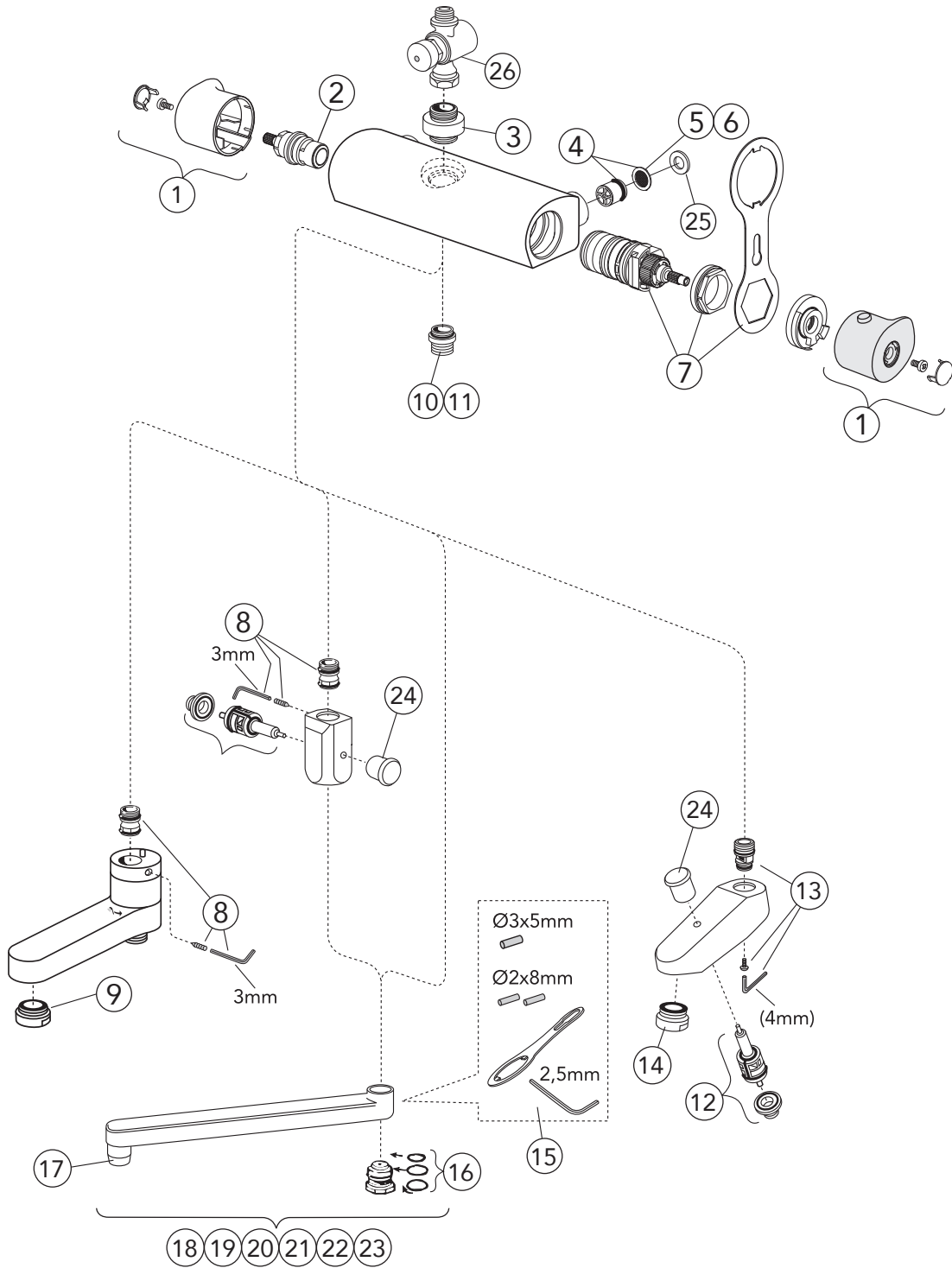
2010-05-01 →



RESERVEDELER

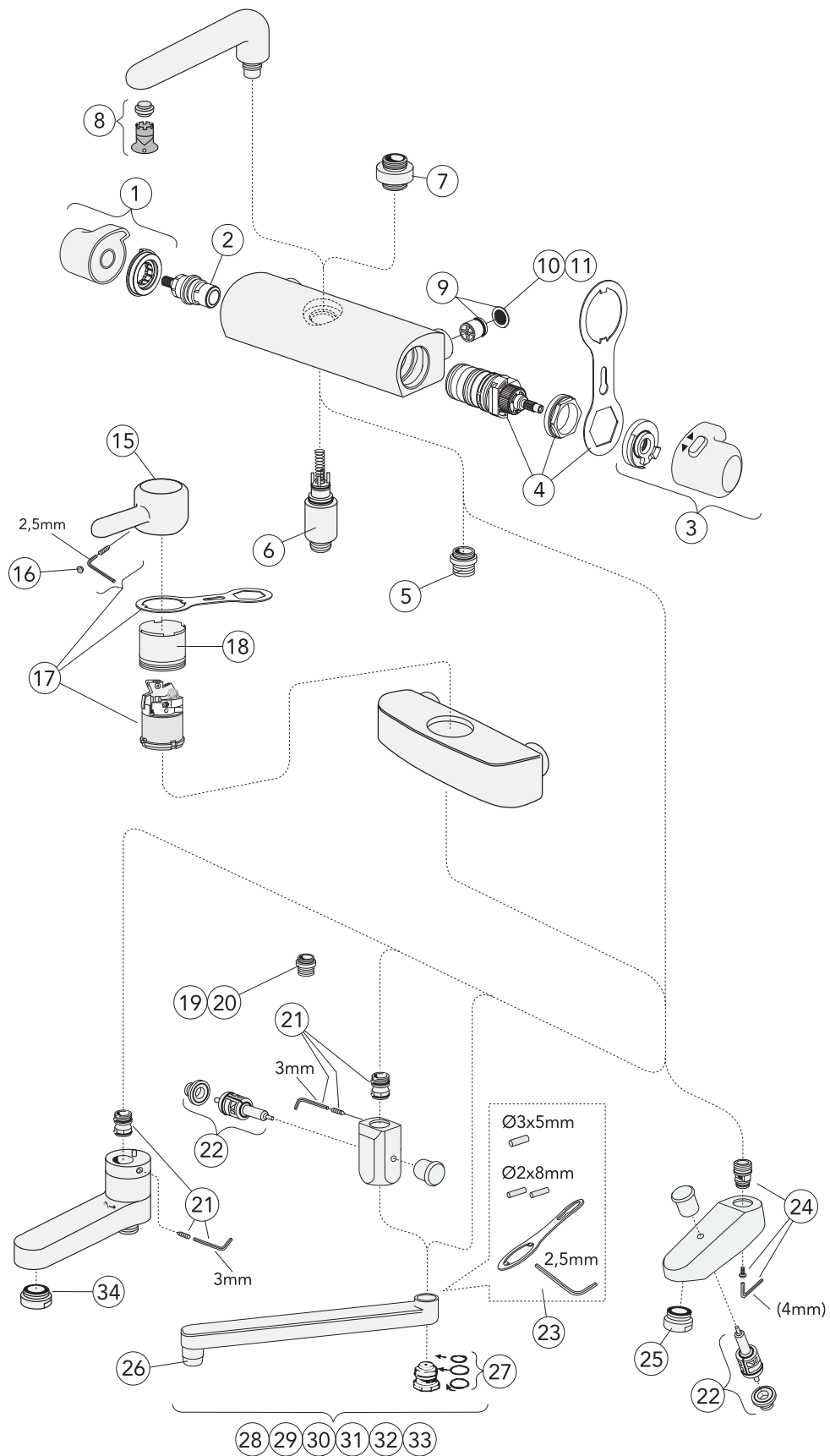


DETALJENUMMER OG PRODUKT	NRF. NR.	ART. NR.	VEIL. PRIS EKS. MVA.	VEIL. PRIS INKL. MVA.
1 Ratt for mengdeside	4342635	GB41637804 01	133	166
2 Tidsinnstilt trykkventil		GB41631830	5.803	7.254
6 Tilkoblingsnippel med tilbakeslagsventil G1/2-G1/2	4341952	GB41632814 02	155	194
7 Tilkoplingsnippel M20x1,5-G1/2 for dusjslange	4341962	GB41634757 01	155	194
11 HC spak for mengde/temperatursiden	4342637	GB41637840 02	212	265
12 Ventiloverstykke	4343314	GB41634035 01	155	194
13 Tilbakeslagsventil med filter	4343096	GB41632698 02	168	210
14 Filter for tilbakeslagsventil	4343065	GB41635633 02	56	70
19 Tilkoplingsnippel G1/2-M20x1,5	4341962	GB41634757 01	155	194
20 Tilkoplingsnippel med tilbakeslagsventil G1/2-M20x1,5	4343363	GB41634756 01	155	194
21 Tilkoblingsnippel for omkastere	4343362	GB41636359 01	59	74
22 Draomkastere	4341963	GB41636577 01	286	358
23 Detaljer for slagbegrensning tut	4342754	GB41633972	60	75
24 Tilkoblingsnippel for utløpstut	4343368	GB41637347	155	194
25 Strålesamlere M28x1, krom	4343123	GB41634555 01	365	456
26 Strålesamlere M24x1 B	4343241	GB41630131 01	106	133
27 O-ringsats for utløpstut	4342755	GB41633952 01	64	80
28 Strålesamlere M24x1 D	4342717	GB41637387 01	365	456
29 Tilkoblingsnippel for omkastere	4343362	GB41636359 01	59	74
31 Termostatinnsett (CA77N)	4342726	GB41638334 01	468	585
32 Ratt for temperatursiden (CA77N)	4341957	GB41638336 01	59	74
33 Tilkoplingsnippel G1/2xG1/2	4341958	GB41632815	155	194
34 Tilkoplingsnippel G1/2-G1/2	4341959	GB41638339 01	59	74
35 Svingbar utløpstut 85 mm	4342879	GB41633631	528	660
36 Svingbar utløpstut 150mm	4342877	GB41633632	528	660
37 Svingbar utløpstut 200mm	4342878	GB41633633	703	879
38 Svingbar utløpstut 250mm	4342868	GB41633614	727	909
39 Svingbar utløpstut 350mm	4342625	GB41633616	930	1.163
40 Svingbar utløpstut 400mm	4342626	GB41633624	972	1.215
Temperaturatt	4342636	GB41637810 01	133	166



RESERVEDELER

DETALJENUMMER OG PRODUKT	NRF. NR.	ART. NR.	VEIL. PRIS EKS. MVA.	VEIL. PRIS INKL. MVA.
1 Ratt for mengde og temperatur		GB41639542 02	293	366
2 Ventiloverstycke		GB41634035 01	155	194
3 Utløppsnippel G1/2xG1/2		GB41638339 01	59	74
4 Tilbakeslagsventilventil med filter		GB41632698 02	168	210
5 Filter for tilbakeslagsventil		GB41635633 02	56	70
6 Filter for tilbakeslagsventil		GB41635633 10	56	70
7 Termostatinnsett (CA77N)		GB41638334 01	468	585
8 Anslutningsnippel for omkastare/utløpstut		GB41636359 01	59	74
9 Perlator/Strålesamler M24x1 D		GB41637387 01	365	456
10 Anslutningsnippel G1/2-M20x1,5		GB41634757 01	155	194
11 Anslutningsnippel med tilbakeslagsventil G1/2-M20x1,5		GB41634756 01	155	194
12 Draomkaster		GB41636577 01	286	358
13 Anslutningsnippel for utløpstut		GB41637347	155	194
14 Perlator/Strålesamler M28x1, krom		GB41634555 01	365	456
15 Detaljer for slagbegrensning ut		GB41633972	60	75
16 O-ringsatt for utløpstut		GB41633952 01	64	80
17 Perlator/Strålesamler M24x1 B		GB41630131 01	106	133
18 Svingbar utløpstut 85 mm		GB41633631	528	660
19 Svingbar utløpstut 150 mm		GB41633632	528	660
20 Svingbar utløpstut 200 mm		GB41633633	703	879
21 Svingbar utløpstut 250 mm		GB41633614	727	909
22 Svingbar utløpstut 350 mm		GB41633616	930	1.163
23 Svingbar utløpstut 400 mm		GB41633624	972	1.215
24 Draknopp omkaster		GB41636822 01	50	63
25 Pakning ø24,2-15,3x3 för anslutning 150 cc		GB41635641	20	25
26 Tidsinnstilt trykkventil (Presto)		GB41631830	5.803	7.254

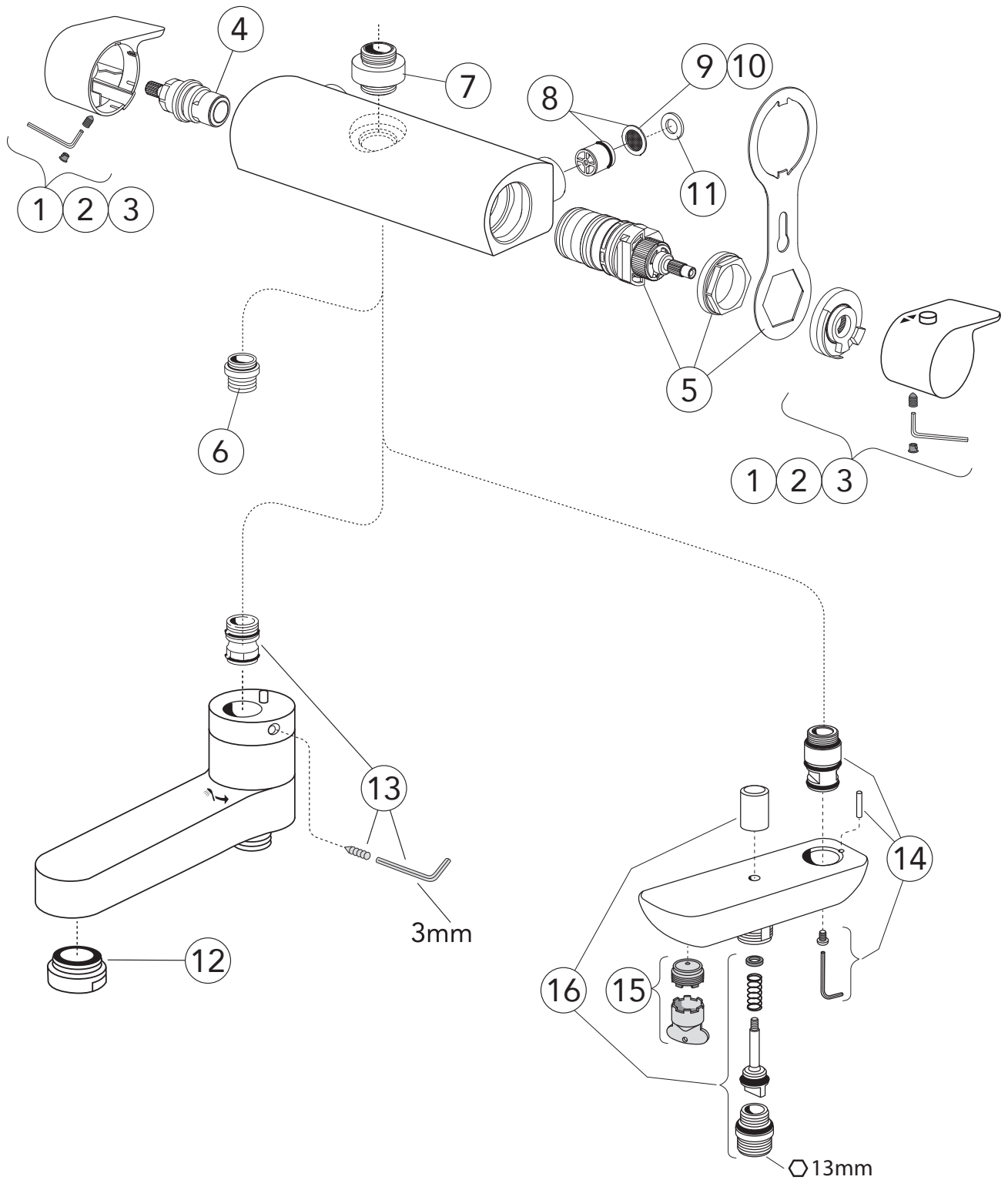




Reservedeler - Logic termostat/ettgrepskran

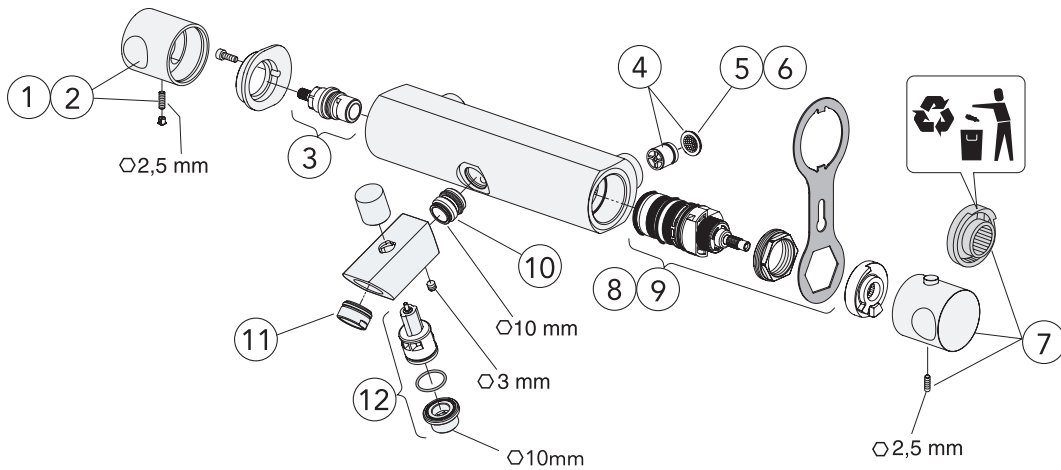
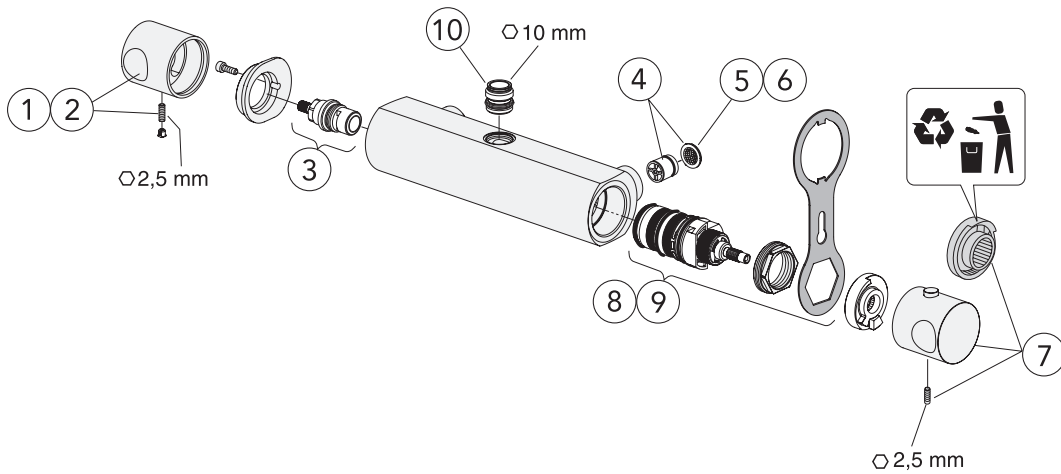
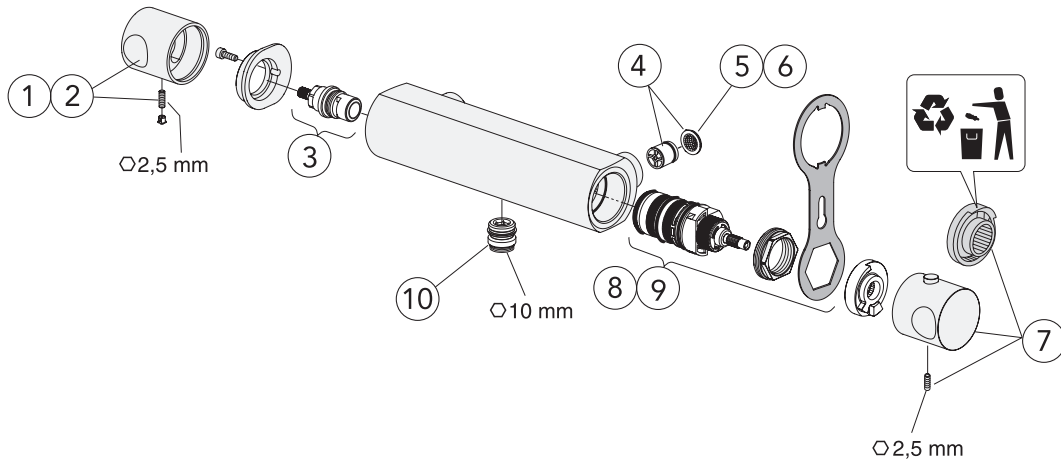
DETALJENUMMER OG PRODUKT	NRF. NR.	ART. NR.	VEIL. PRIS EKS. MVA.	VEIL. PRIS INKL. MVA.
1 Ratt for mengdeside	4342785	GB41638530 01	132	165
2 Ventiloverstykk		GB41638529 01	155	194
3 Ratt for temperaturside	4342786	GB41638525 01	132	165
4 Termostatinnsats for dusjslange	4342726	GB41638334 01	468	585
5 Tilkoblingsnippel M20x1,5-G1/2	4341962	GB41634757 01	155	194
6 Omkaster	4342787	GB41638545 01	286	358
7 Tilkoblingsnippel G1/2xG1/2	4341959	GB41638339 01	59	74
8 Strålesamler, Cache-CC-STDM24x1 "D"	4342788	GB41638542 01	363	454
9 Tilbakeslagsventil med filter	4343096	GB41632698 02	168	210
10 Filter for tilbakeslagsventil	4343065	GB41635633 02	56	70
15 Ettgrepspak Logic	4342766	GB41638514 01	306	383
16 Dekkplugg rød/blå merking	4342661	GB41634828 01	132	165
17 Servicepatron Logic/Nautic	4343367	GB41637267 01	512	640
18 Låsring M45x1,5	4342753	GB41637261 01	145	181
19 Tilkoblingsnippel G1/2-M20x1,5	4341962	GB41634757 01	155	194
20 Tilkoblingsnippel m/tilbakeslagsventil G1/2-M20x1,5	4343363	GB41634756 01	155	194
21 Tilkoblingsnippel for omkaster	4343362	GB41636359 01	59	74
22 Draomkaster	4341963	GB41636577 01	286	358
23 Detaljer for slagbegrensning tut	4342754	GB41633972	60	75
24 Tilkoblingsnippel for utløpstut	4343368	GB41637347	155	194
25 Strålesamler M28x1, krom	4343123	GB41634555 01	365	456
26 Strålesamler M24x1	4343241	GB41630131 01	106	133
27 O-ring for utløpstut	4342755	GB41633952 01	64	80
28 Svingbar utløpstut 85 mm	4342879	GB41633631	528	660
29 Svingbar utløpstut 150 mm	4342877	GB41633632	528	660
30 Svingbar utløpstut 200 mm	4342878	GB41633633	703	879
31 Svingbar utløpstut 250 mm	4342868	GB41633614	727	909
32 Svingbar utløpstut 350 mm	4342625	GB41633616	930	1.163
33 Svingbar utløpstut 400 mm	4342626	GB41633624	972	1.215
34 Strålesamler M24x1 D	4342717	GB41637387 01	365	456

RESERVEDELER



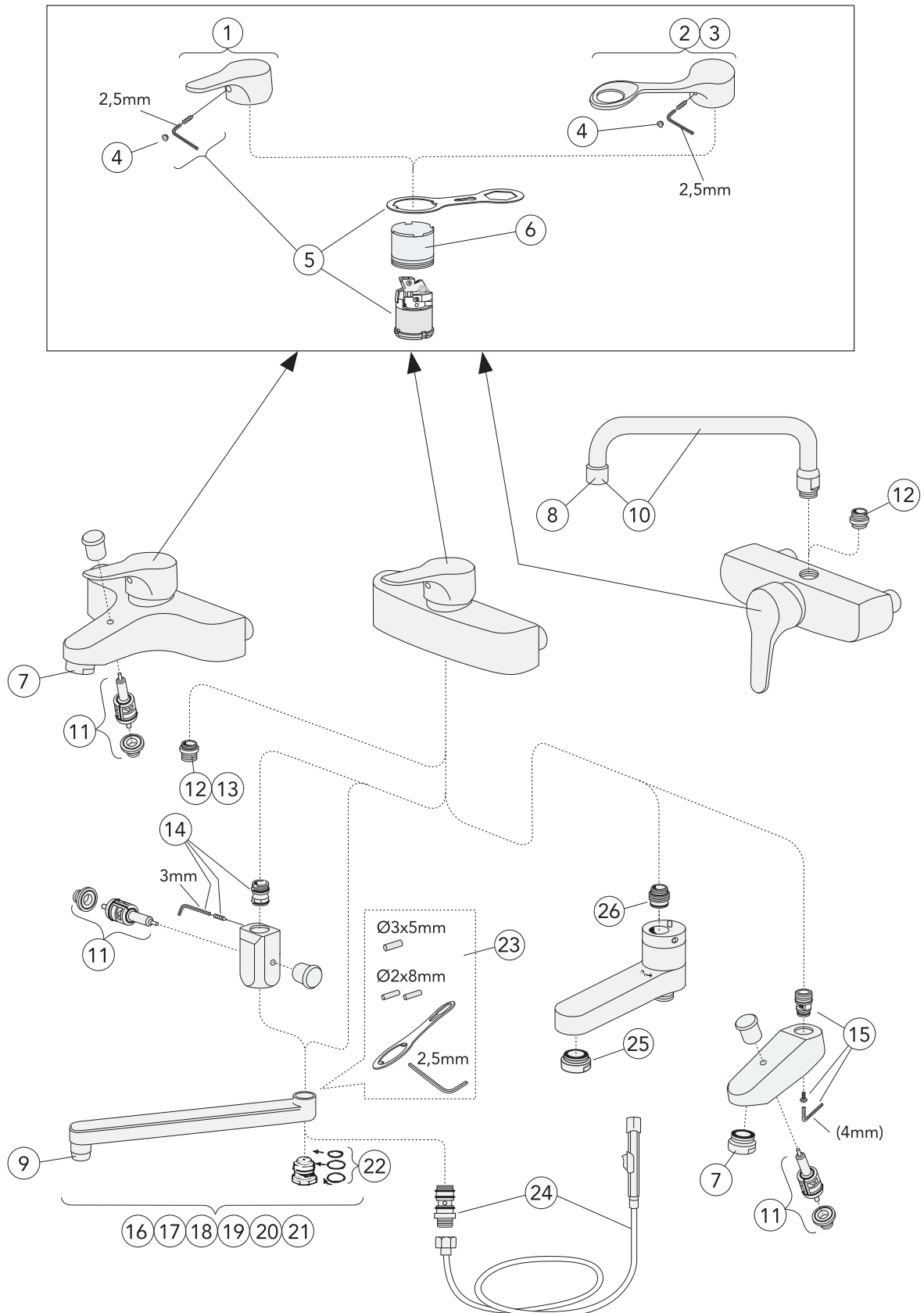
RESERVEDELER

DETALJENUMMER OG PRODUKT	NRF. NR.	ART. NR.	VEIL. PRIS EKS. MVA.	VEIL. PRIS INKL. MVA.
1 Ratt for dusjkran Estetic krom		GB41639390 01	569	711
2 Ratt for dusjkran Estetic, sort (UTGÅTT)				
3 Ratt for dusjkran Estetic, matt hvit		GB41639390 41	851	1.064
4 Ventiloverstykke		GB41638529 01	155	194
5 Termostatinnsett (CA77N)		GB41638334 01	468	585
6 Anslutningsnippel G1/2-M20x1,5		GB41634757 01	155	194
7 Utløpsnippel G1/2xG1/2		GB41638339 01	59	74
8 Tilbakeslagsventil med filter		GB41632698 02	168	210
9 Filter for tilbakeslagsventil		GB41635633 02	56	70
10 Filter for tilakeslangventil		GB41635633 10	56	70
11 Pakkning ø24,2-15,3x3 for anslutning 150 cc		GB41635641	20	25
12 Perlator/Strålesamler M24x1 D (UTGÅTT)				
13 Anslutningsnippel for omkaster		GB41636359 01	59	74
14 Anslutningsnippel for badekarstut		GB41639298 01	155	194
15 Perlator/strålesamler Cache, M24x1-D, SLC		GB41639282 01	262	328
16 Draomkastare		GB41639328 01	287	359





DETALJENUMMER OG PRODUKT	NRF. NR.	ART. NR.	VEIL. PRIS EKS. MVA.	VEIL. PRIS INKL. MVA.
1 Ratt for mengdesiden -2010.09	4342779	GB41638281 01	596	745
2 Ratt for mengdesiden 2010.09-	4342684	GB41636465 01	891	1.114
3 Ventiloverstykke	4342782	GB41638283 01	154	193
4 Bakventil med filter	4343096	GB41632698 02	168	210
5 Filter for bakventil	4343065	GB41635633 02	56	70
7 Ratt for temperatursiden	4342685	GB41636460 01	891	1.114
8 Termostatinnsett -2010.09	4342783	GB41638287 01	468	585
9 Termostatinnsett (CA77N) 2010.09-	4342726	GB41638334 01	468	585
10 Tilkoplingnippel M20x1,5-G1/2	4342723	GB41637410	154	193
11 Strålesamler M24x1	4342717	GB41637387 01	365	456
12 Draomkaster	4342725	GB41637416	399	499



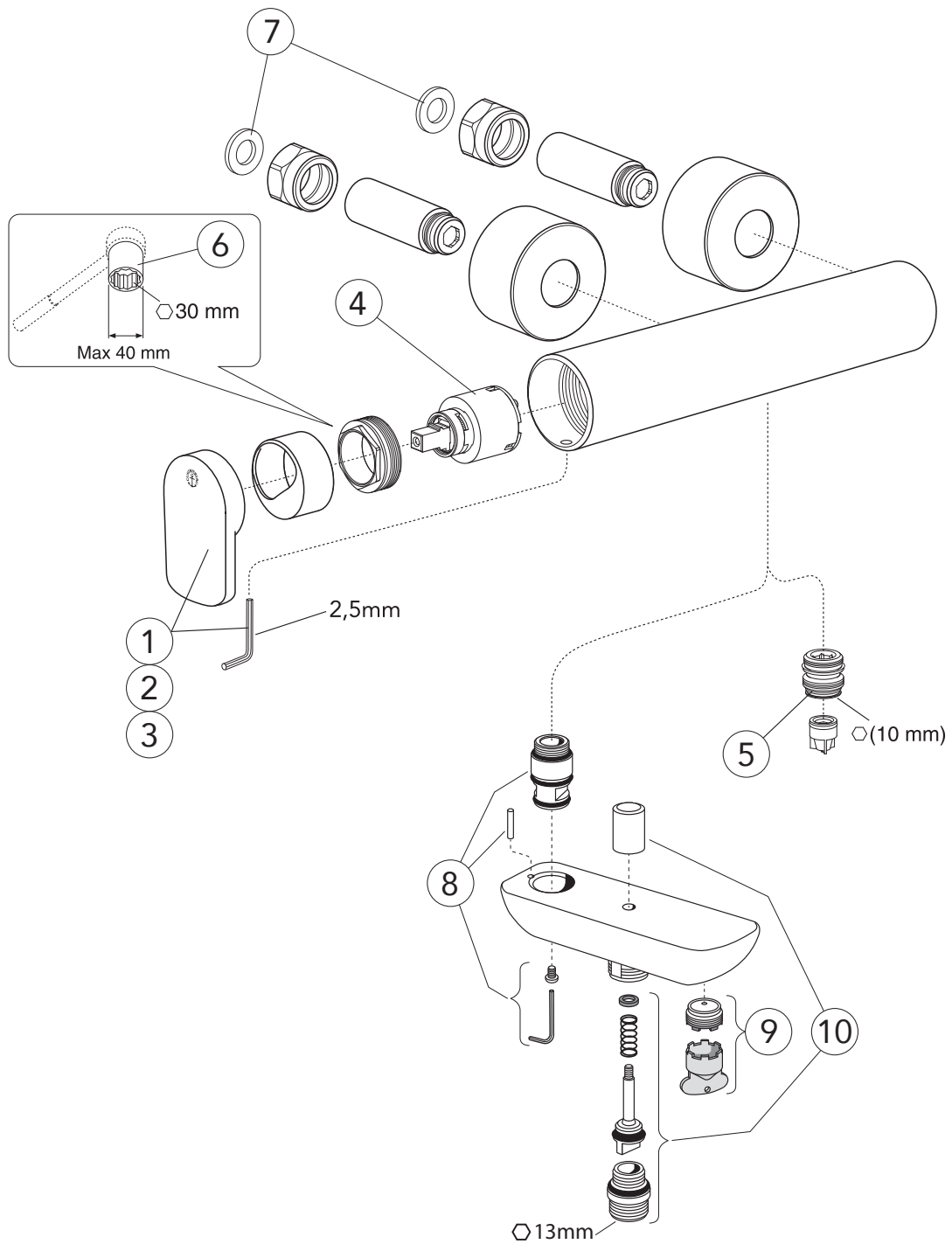
RESERVEDELER



Reservedeler - Nautic dusj- og badekarskran

DETALJENUMMER OG PRODUKT	NRF. NR.	ART. NR.	VEIL. PRIS EKS. MVA.	VEIL. PRIS INKL. MVA.
1 Ettgreppspak Nautic	4343366	GB41637250	289	361
2 Ettgreppspak HC Nautic		GB41637360 01	416	520
3 Ettgreppspak HC Nautic (Rød/blå markering)	4342627	GB41637363 01	431	539
4 Dekkplugg Rød/blå merking	4342661	GB41634828 01	132	165
5 Servicepatron m/verktøy Nautic/Logic	4343367	GB41637267 01	512	640
6 Låsring M45x1,5	4342753	GB41637261 01	145	181
7 Strålesamlere M28x1	4343123	GB41634555 01	365	456
8 Strålesamlere M22x1	4343242	GB41630129 01	106	133
9 Strålesamlere M24x1	4343241	GB41630131 01	106	133
10 Utløpstut 250	4342624	GB41630184	727	909
11 Draomkaster	4341963	GB41636577 01	286	358
12 Tilkoplingsnippel G1/2-M20x1,5	4341962	GB41634757 01	155	194
13 Tilkobl.nippel m/tilb.sl.ventil f/dusjslange G1/2-M20x1,5	4343363	GB41634756 01	155	194
14 Tilkoplingsnippel for omkastere	4343362	GB41636359 01	59	74
15 Tilkoplingsnippel for badekartut	4343368	GB41637347	155	194
16 Svingbar utløpstut 85 mm	4342879	GB41633631	528	660
17 Svingbar utløpstut 150 mm	4342877	GB41633632	528	660
18 Svingbar utløpstut 200 mm	4342878	GB41633633	703	879
19 Svingbar utløpstut 250 mm	4342868	GB41633614	727	909
20 Svingbar utløpstut 350 mm	4342625	GB41633616	930	1.163
21 Svingbar utløpstut 400 mm	4342626	GB41633624	972	1.215
22 O-ringsats for utløpstut	4342755	GB41633952 01	64	80
23 Detaljer for slagbegrensning tut	4342754	GB41633972	60	75
24 Hånddusj for veggmonterte blandebatterier m/slange	4343335	GB41634210	918	1.148
25 Strålesamler M24x1 D	4342717	GB41637387 01	365	456
26 Tilkoblingsnippel M20x1,5	4343362	GB41636359 01	59	74

RESERVEDELER

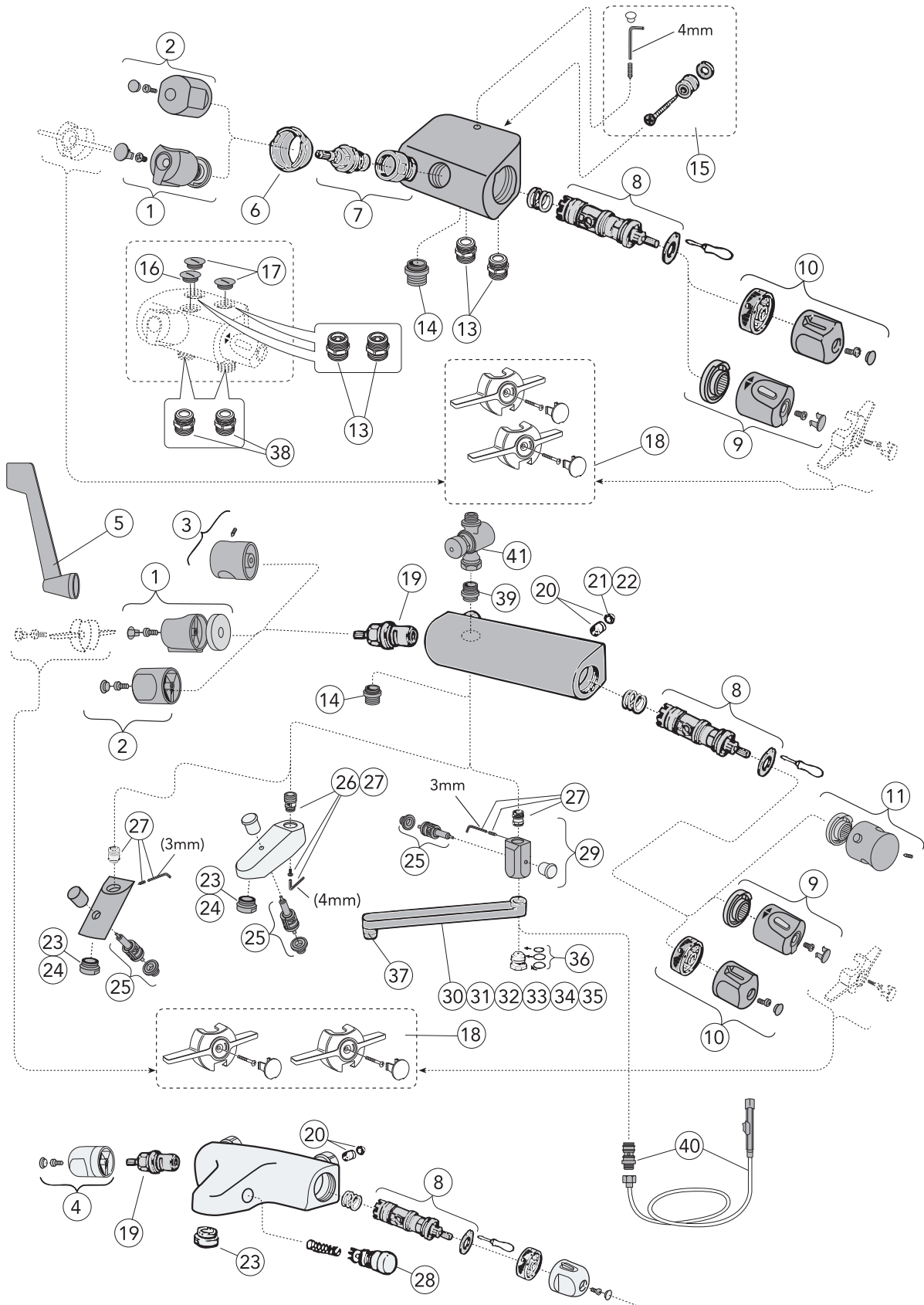


RESERVEDELER



Reservedeler - Estetic Veggkran - Ettgreps

DETALJNUMMER OG PRODUKT	NRF. NR.	ART. NR.	VEIL. PRIS EKS. MVA.	VEIL. PRIS INKL. MVA.
1 Spak for dusjkran, Estetic, krom		GB41639330 01	271	339
2 Spak for dusjkran, Estetic, sort (UTGÅENDE, RESTLAGER)		GB41639330 23	1.139	1.424
3 Spak for dusjkran, Estetic, matt hvit (UTGÅENDE, RESTLAGER)		GB41639330 41	1.087	1.359
4 Servicepatron/Kar/Dusjkran Coloric, Estetic		GB41637393	223	279
5 Anslutningsnippel med tilbakesventil G1/2-M20x1,5		GB41634756 01	155	194
6 Hylse Nv 30		GB41638429 01	212	265
7 Pakkning ø24,2-15,3x3 för anslutning 150 cc		GB41635641	20	25
8 Anslutningsnippel for badekartut		GB41639298 01	155	194
9 Perlator/strålesamler, Cache, M24x1-D, SLC		GB41639282 01	262	328
10 Draomkaster		GB41639328 01	287	359



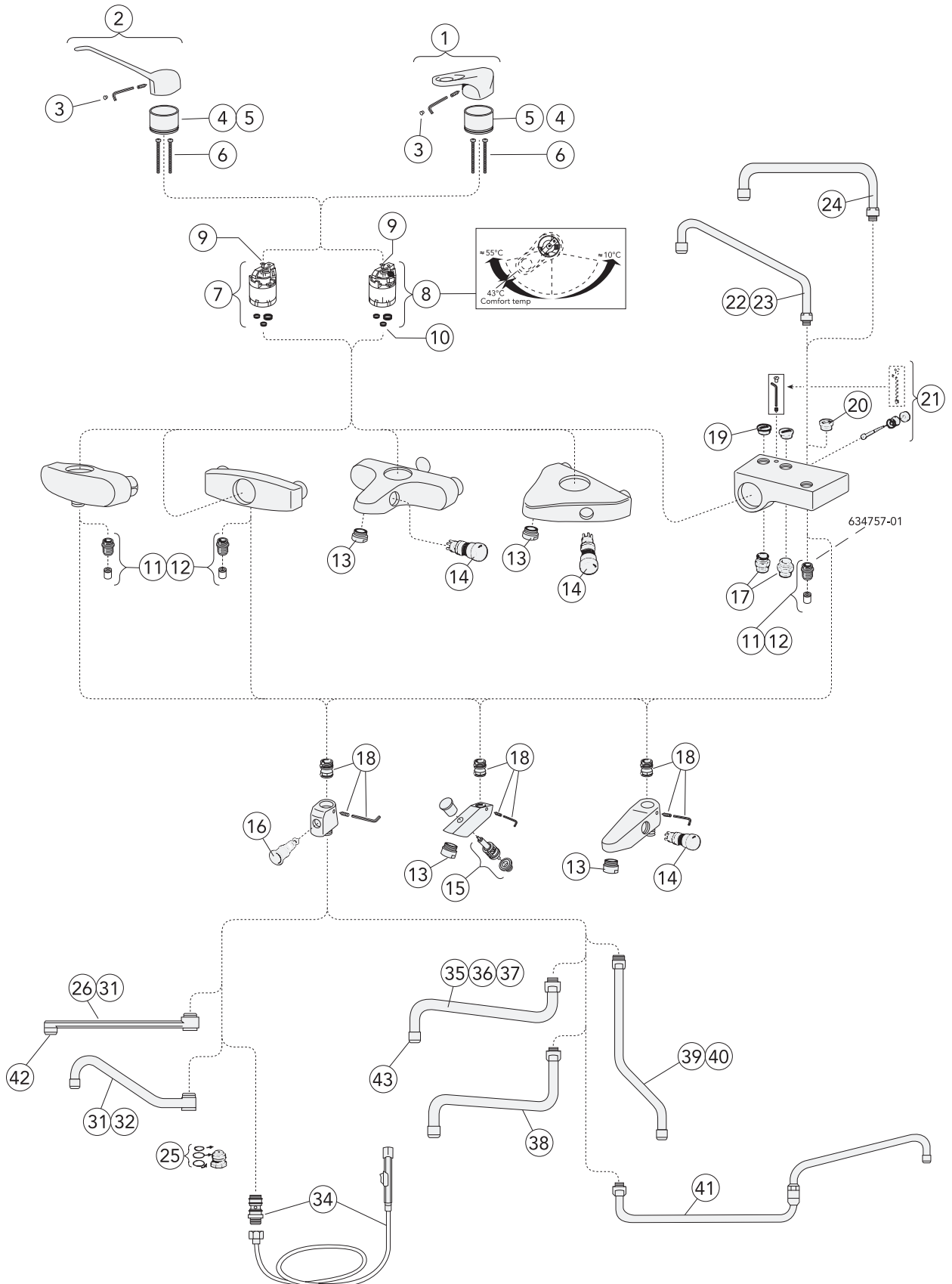
RESERVEDELER



Reservedeler - Nordic, Nautic og Skandic termostat

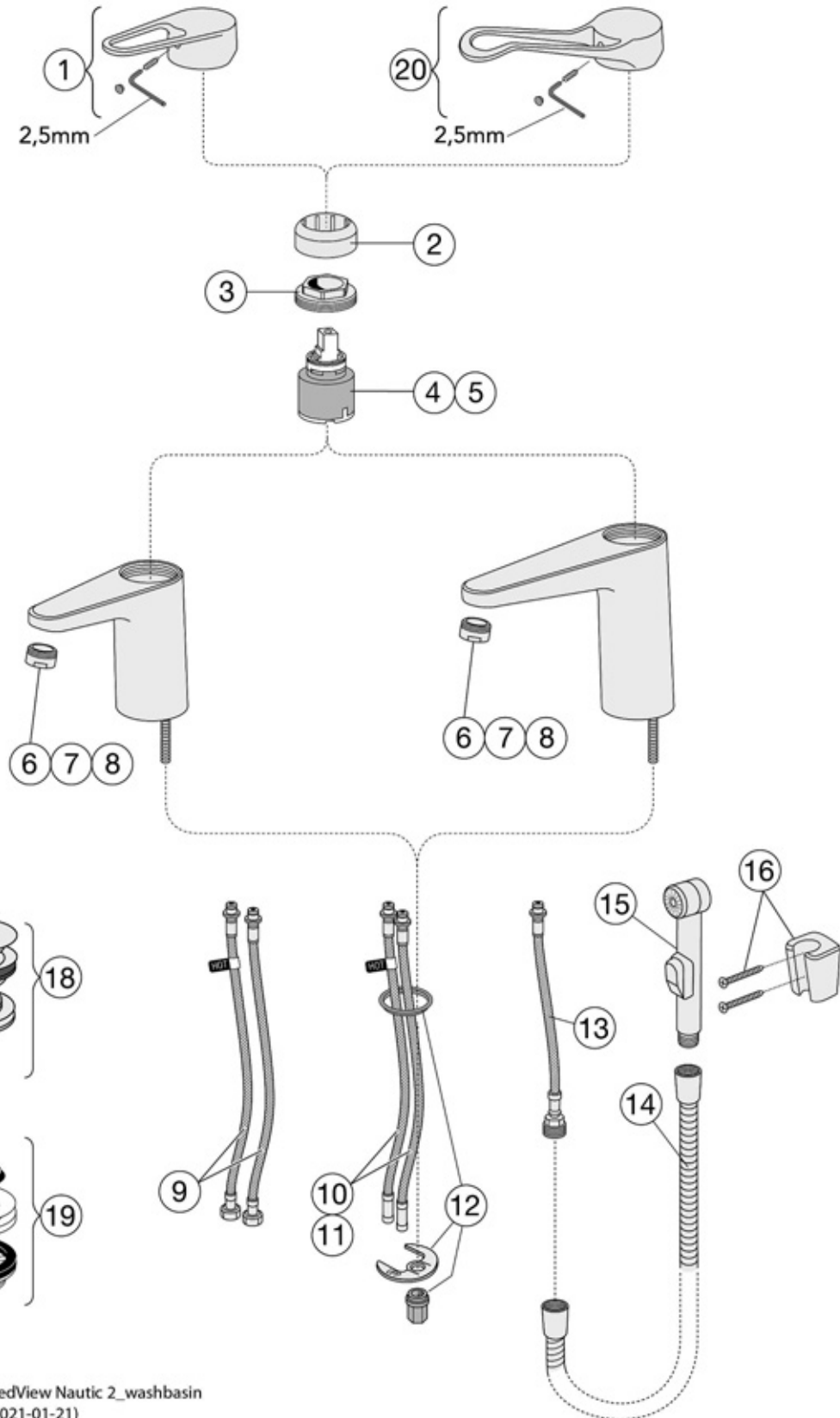
DETALJENUMMER OG PRODUKT	NRF. NR.	ART. NR.	VEIL. PRIS EKS. MVA.	VEIL. PRIS INKL. MVA.
1 Ratt for mengdesiden Nautic	4342635	GB41637804 01	133	166
2 Ratt for mengdesiden Nordic	4343061	GB41636479 01	133	166
3 Ratt for mengdesiden Skandic 03	4342684	GB41636465 01	891	1.114
8 Termostatinnsets (UTGÅTT)				
9 Ratt for temperatursiden Nautic (gammel)	4342636	GB41637810 01	133	166
10 Ratt for temperatursiden Nordic	4343062	GB41636480 01	135	169
11 Ratt for temperatursiden Skandic 03	4342685	GB41636460 01	891	1.114
13 Tilkoblingsnippel med tilbakeslagsventil G1/2-G1/2	4341952	GB41632814 02	155	194
14 Utløpsnippel M20x1,5-G1/2	4341962	GB41634757 01	155	194
18 HC spak for mengde/temperatursiden	4342637	GB41637840 02	212	265
19 Kompl. overdel f/mengdeside	4343314	GB41634035 01	155	194
20 Tilbakeslagsventil med filter	4343096	GB41632698 02	168	210
21 Filter for tilbakeslagsventil	4343065	GB41635633 02	56	70
23 Strålesamler M28x1, krom	4343123	GB41634555 01	365	456
24 Strålesamler M28x1, grå	4342692	GB41634078 01	369	461
25 Draomkaster	4341963	GB41636577 01	286	358
26 Tilkoblingsnippelsnippel 20x1,5 2007 10-	4343368	GB41637347	155	194
27 Tilkoblingsnippelsnippel M20x1,5 -2007 10	4343362	GB41636359 01	59	74
28 Omkaster	4343124	GB41634799 0001	200	250
29 Omkaster	4342634	GB41637315	761	951
30 Svingbar utløpstut 85 mm	4342879	GB41633631	528	660
31 Svingbar utløpstut 150 mm	4342877	GB41633632	528	660
32 Svingbar utløpstut 200 mm	4342878	GB41633633	703	879
33 Svingbar utløpstut 250 mm	4342868	GB41633614	727	909
34 Svingbar utløpstut 350 mm	4342625	GB41633616	930	1.163
35 Svingbar utløpstut 400 mm	4342626	GB41633624	972	1.215
36 O-ringsats for utløpstut	4342755	GB41633952 01	64	80
37 Strålesamlere M24x1	4343241	GB41630131 01	106	133
38 Tilkoblingsnippel G1/2xG1/2	4341958	GB41632815	155	194
39 Utløpsnippel G1/2xG1/2	4341959	GB41638339 01	59	74
40 Håndduj for veggmonterte blandebatterier m/slange	4343335	GB41634210	918	1.148
41 Tidsinnstilt trykkventil (Presto)		GB41631830	5.803	7.254

RESERVEDELER





DETALJENUMMER OG PRODUKT	NRF. NR.	ART. NR.	VEIL. PRIS EKS. MVA.	VEIL. PRIS INKL. MVA.
1 Ettgrepspak Nordic	4343347	GB41636617 01	213	266
2 Ettgrepspak RH Nordic	4342991	GB41635430 01	416	520
3 Dekkkplugg rød/blå merking	4342661	GB41634828 01	132	165
4 Kåpe gjenget	4343166	GB41634470 01	145	181
5 Kåpe med O-ring	4343126	GB41636326 01	150	188
6 Skrue M5x40	4343216	GB41632731 02	60	75
7 Servicepatron inkl. topplokk (634955-01)	4343196	GB41633877 01	609	761
8 Servicepatron TT-funksjon	4343059	GB41635678 8701	593	741
10 Gummipakning f/servicepatron	4343211	GB41633513 01	77	96
11 Tilkoplingsnippel G1/2-M20x1,5	4341962	GB41634757 01	155	194
12 Tilkoplingsnippel med backventil G1/2-M20x1,5	4343363	GB41634756 01	155	194
13 Strålsamlere M28x1	4343123	GB41634555 01	365	456
14 Omkastere	4343124	GB41634799 0001	200	250
15 Draomkastere	4341963	GB41636577 01	286	358
16 Draomkastere		GB41635175 01	281	351
18 Tilkoplingsnippel for omkastere	4343362	GB41636359 01	59	74
25 O-ringsats for utløpstut	4342755	GB41633952 01	64	80
26 Svingbar utløpstut 85 mm	4342879	GB41633631	528	660
27 Svingbar utløpstut 150 mm	4342877	GB41633632	528	660
28 Svingbar utløpstut 200 mm	4342878	GB41633633	703	879
29 Svingbar utløpstut 250 mm	4342868	GB41633614	727	909
30 Svingbar utløpstut 350 mm	4342625	GB41633616	930	1.163
31 Svingbar utløpstut 400 mm	4342626	GB41633624	972	1.215
32 Svingbar utløpstut 250 mm		GB41633644	523	654
33 Svingbar utløpstut 410 mm		GB41633646	839	1.049
34 Hånddusj for veggmonterte blandebatterier	4343335	GB41634210	918	1.148
35 Svingbar utløpstut 150 mm	4342815	GB41630191	394	493
36 Svingbar utløpstut 250 mm	4342819	GB41630194	535	669
37 Svingbar utløpstut 350 mm	4342975	GB41630197	431	539
38 Svingbar utløpstut 250 mm	4342977	GB41630196	431	539
41 Svingbar utløpstut 945 mm	4342811	GB41630151	2.026	2.533
42 Strålesamlere M24x1	4343241	GB41630131 01	106	133
43 Strålesamlere M22x1	4343242	GB41630129 01	106	133
Strålesamlere M24x1		GB41630131 01	106	133

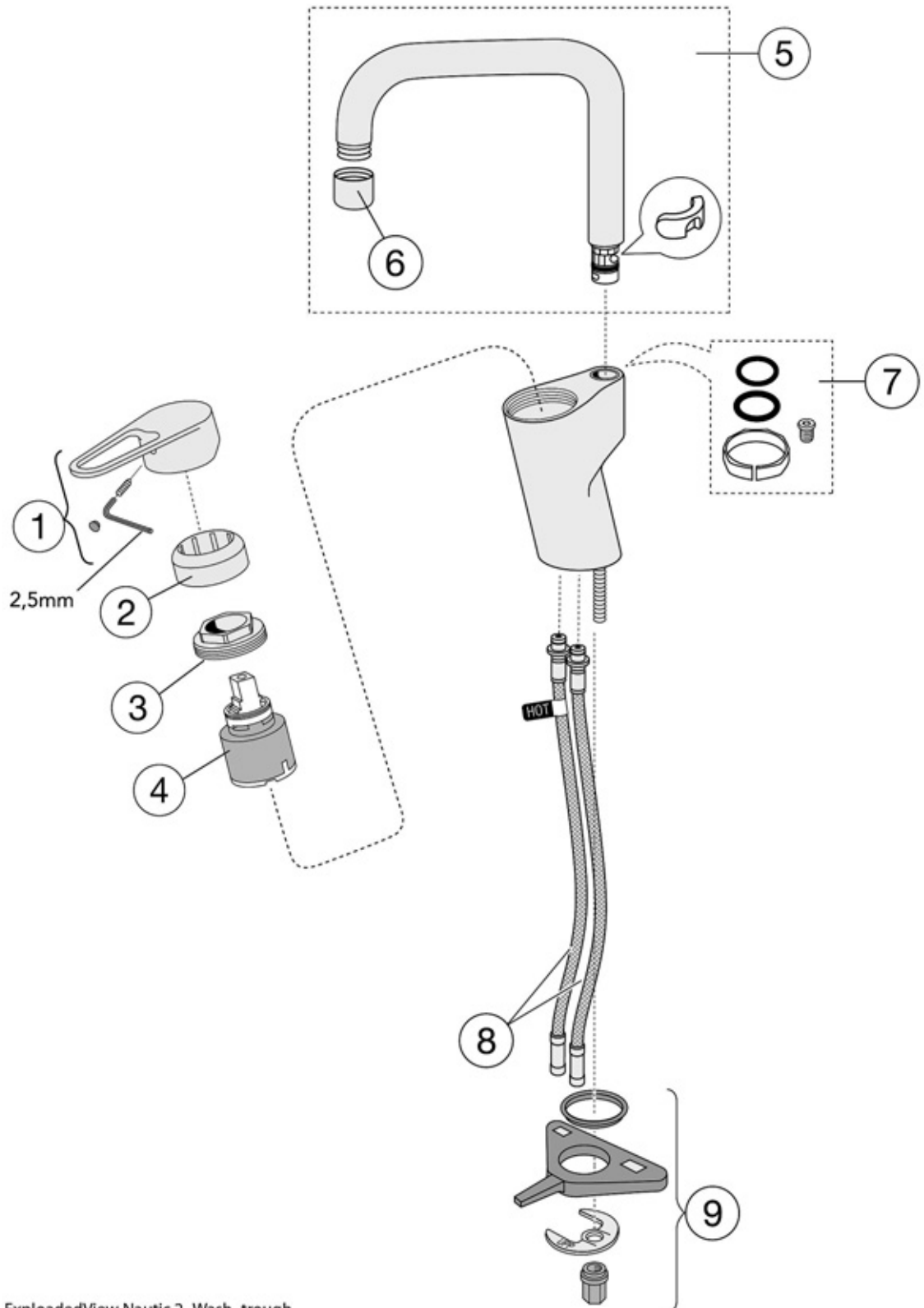


ExplodedView Nautic 2_washbasin
(Rev 1. 2021-01-21)



Reservedeler - Nye Nautic servantkran år 2021 -

DETALJENUMMER OG PRODUKT	NRF. NR.	ART. NR.	VEIL. PRIS EKS. MVA.	VEIL. PRIS INKL. MVA.
1 Ettgrepsspak Nye Nautic		GB41639803 01	289	361
2 Dekkekåpe		GB41639523 01	55	69
3 Mutter -- kerampakke		GB41639522 01	200	250
4 Kerampakke 35mm smart + standard	4342719	GB41637393	223	279
5 Kerampakke 35mm smart + energieffektiv		GB41639567 01	268	335
6 Strålesamler M24 x 1B	4343241	GB41630131 01	106	133
7 Strålesamler M24 x 4,5 l/min		GB41639565 01	149	186
8 Parlator/ strålesamler		GB41639171 01	189	236
10 SoftPex-slange		GB41638721 02	211	264
12 Monteringssett		GB41639936 01	120	150
13 SoftPex-slange 300 mm		GB41638720 01	149	186
14 Dusjslange biflex	4343804	GB41636263 00	117	146
15 Hånddusj	4343121	GB41633860 33	653	816
16 Feste til hånddusj	4340714	GB41637575	120	150
18 Push-down ventil	4343054	GB41636575 01	559	699
19 Pluggventil for silfilter	4342653	GB41637445	572	715
20 Ettgrepsspak Care		GB41639801 01	416	520

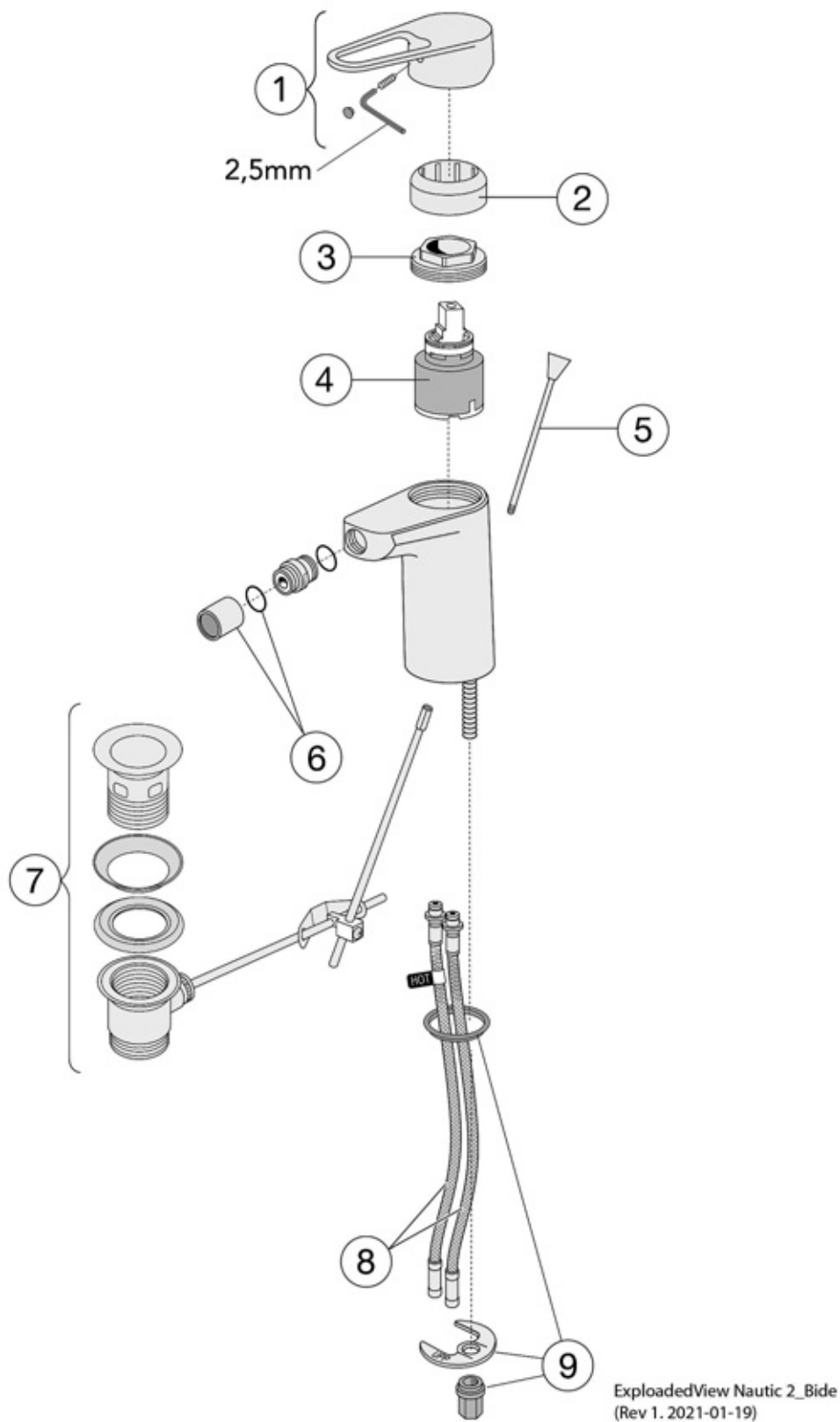


ExplodedView Nautic 2_Wash_trough
(Rev 1. 2021-01-19)



Reservedeler - Nye Nautic vaskerenne kran år 2021 -

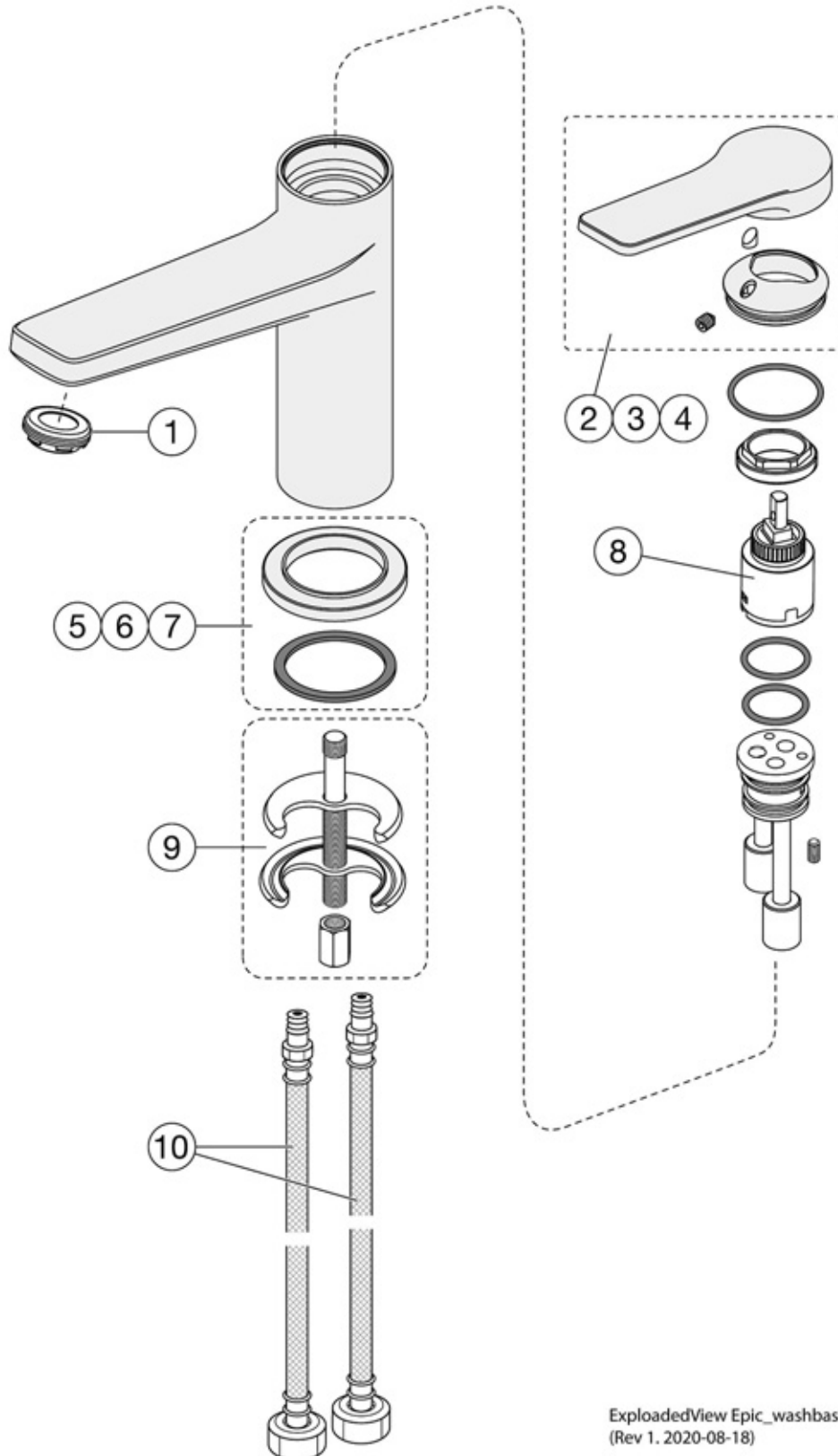
DETALJENUMMER OG PRODUKT	NRF. NR.	ART. NR.	VEIL. PRIS EKS. MVA.	VEIL. PRIS INKL. MVA.
1 Ettgrepsspak Nye Nautic		GB41639803 01	289	361
2 Dekkekåpe		GB41639523 01	55	69
3 Mutter - kerampakke		GB41639522 01	200	250
4 Kerampakke 35mm smart + standard	4342719	GB41637393	223	279
6 Strålesamler M22 x 1	4343242	GB41630129 01	106	133
7 O-ringsats	4342659	GB41637010 01	134	168
8 SoftPex-slange		GB41638721 02	211	264
9 Monteringssett		GB41639937 01	120	150





Reservevedeler - Nye Nautic bidèkran år 2021 -

DETALJENUMMER OG PRODUKT	NRF. NR.	ART. NR.	VEIL. PRIS EKS. MVA.	VEIL. PRIS INKL. MVA.
1 Ettgrepsspak Nye Nautic		GB41639803 01	289	361
2 Dekkekåpe		GB41639523 01	55	69
3 Mutter - kerampakke		GB41639522 01	200	250
4 Kerampakke 35mm smart + standard	4342719	GB41637393	223	279
5 Løftestang	4343055	GB41630305	127	159
6 Strålesamler /kuleledd	4342713	GB41637270 01	78	98
7 Løfteventil	4342638	GB41637450	623	779
8 SoftPlex-slange		GB41638721 02	211	264
9 Monteringssett		GB41639936 01	120	150

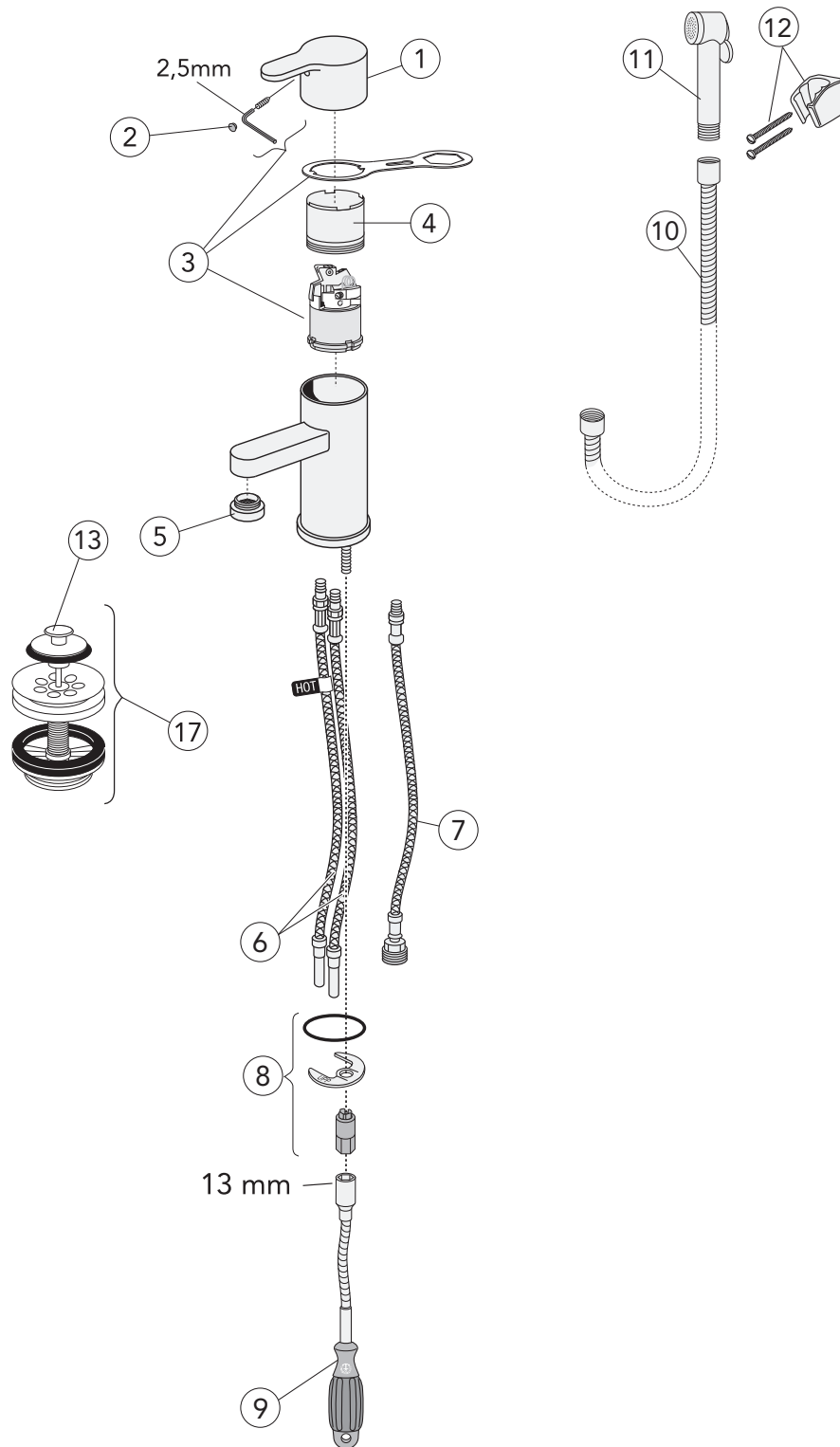


ExplodedView Epic_washbasin
(Rev 1. 2020-08-18)



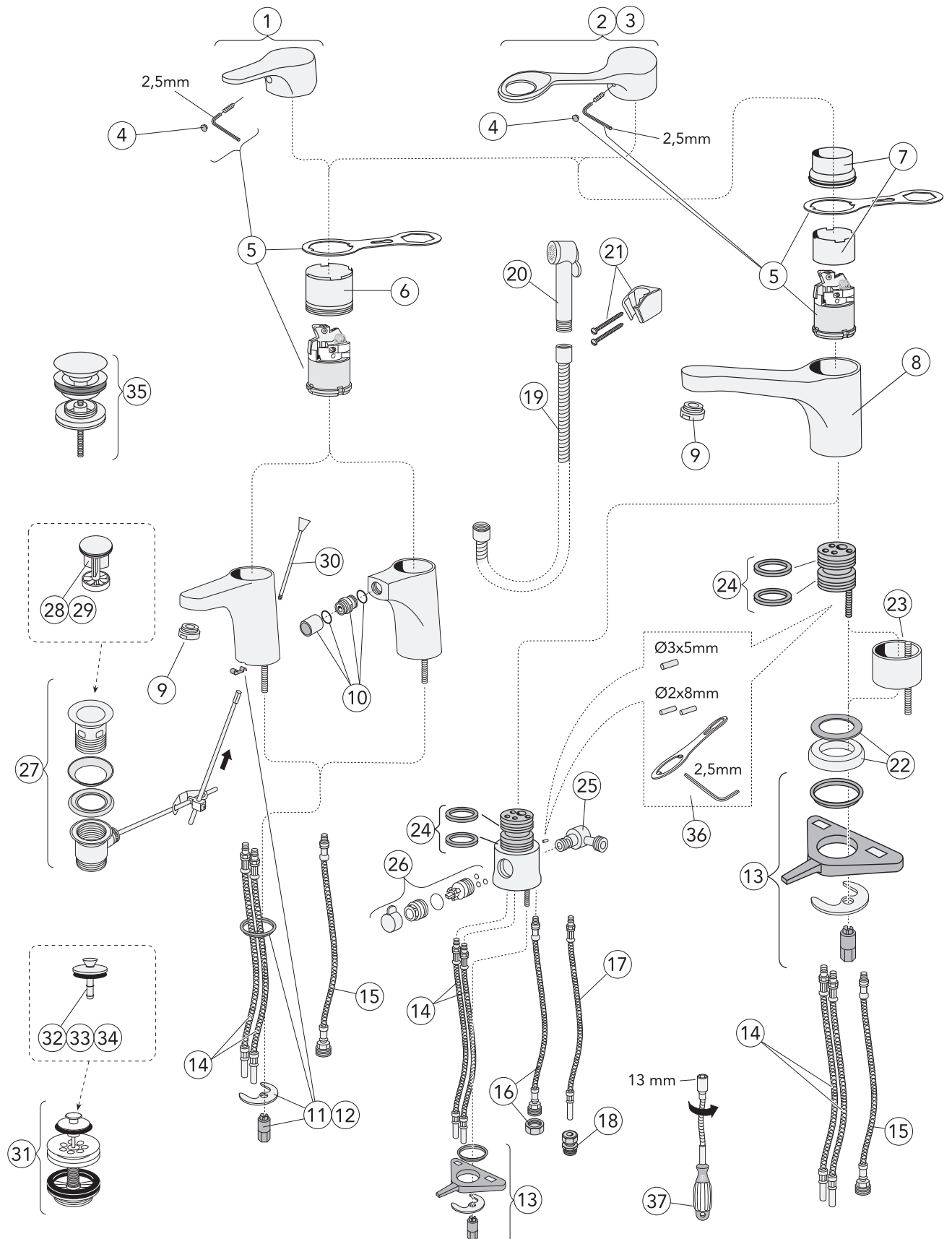
Reservedeler - Epic servantkran

DETALJENUMMER OG PRODUKT	NRF. NR.	ART. NR.	VEIL. PRIS EKS. MVA.	VEIL. PRIS INKL. MVA.
1 Strålesamler		GB41639668 01	66	83
2 Spak, krom		GB41639770 01	217	271
3 Spak, børstet messing		GB41639770 24	257	321
4 Spak, matt sort		GB41639770 53	261	326
5 Sokkel ø50, krom		GB41639773 01	217	271
6 Sokkel ø50, børstet messing		GB41639773 24	257	321
7 Sokkel ø50, matt sort		GB41639773 53	261	326
8 Patron ø25		GB41639775 01	248	310
9 Monteringssett		GB41639627 01	120	150
10 SoftPex-slange M10x1 - G3/8	4342775	GB41636629 01	124	155





DETALJENUMMER OG PRODUKT	NRF. NR.	ART. NR.	VEIL. PRIS EKS. MVA.	VEIL. PRIS INKL. MVA.
1 Ettgreppspak Nordic ³		GB41639062 01	285	356
2 Dekkplugg	4342661	GB41634828 01	132	165
3 Servicepatron m/verktøy for Nordic ³ / Nautic/Logic	4343367	GB41637267 01	512	640
4 Låsering M45x1,5	4342753	GB41637261 01	145	181
5 Strålesamler, M24x1		GB41639097 01	106	133
6 SoftPex slanger (M10x1-ø10)	4342633	GB41637161 02	213	266
7 SoftPex slange (M10x1-G1/2)	4342769	GB41638224 01	150	188
8 Monteringsdetaljer	4342772	GB41636457 01	76	95
9 Monteringsverktøy 13/6k	4343341	GB43000014 10	206	258
10 Dusjslange Biflex 1,75m G1/2xG1/2	4343804	GB41636263 00	117	146
11 Selvstengende hånddusj	4343121	GB41633860 33	653	816
12 Hånddusjfeste	4340714	GB41637575	120	150
13 Propp till silpluggventil (ø36 mm) 2010 05-	4340718	GB41638453 01	86	108

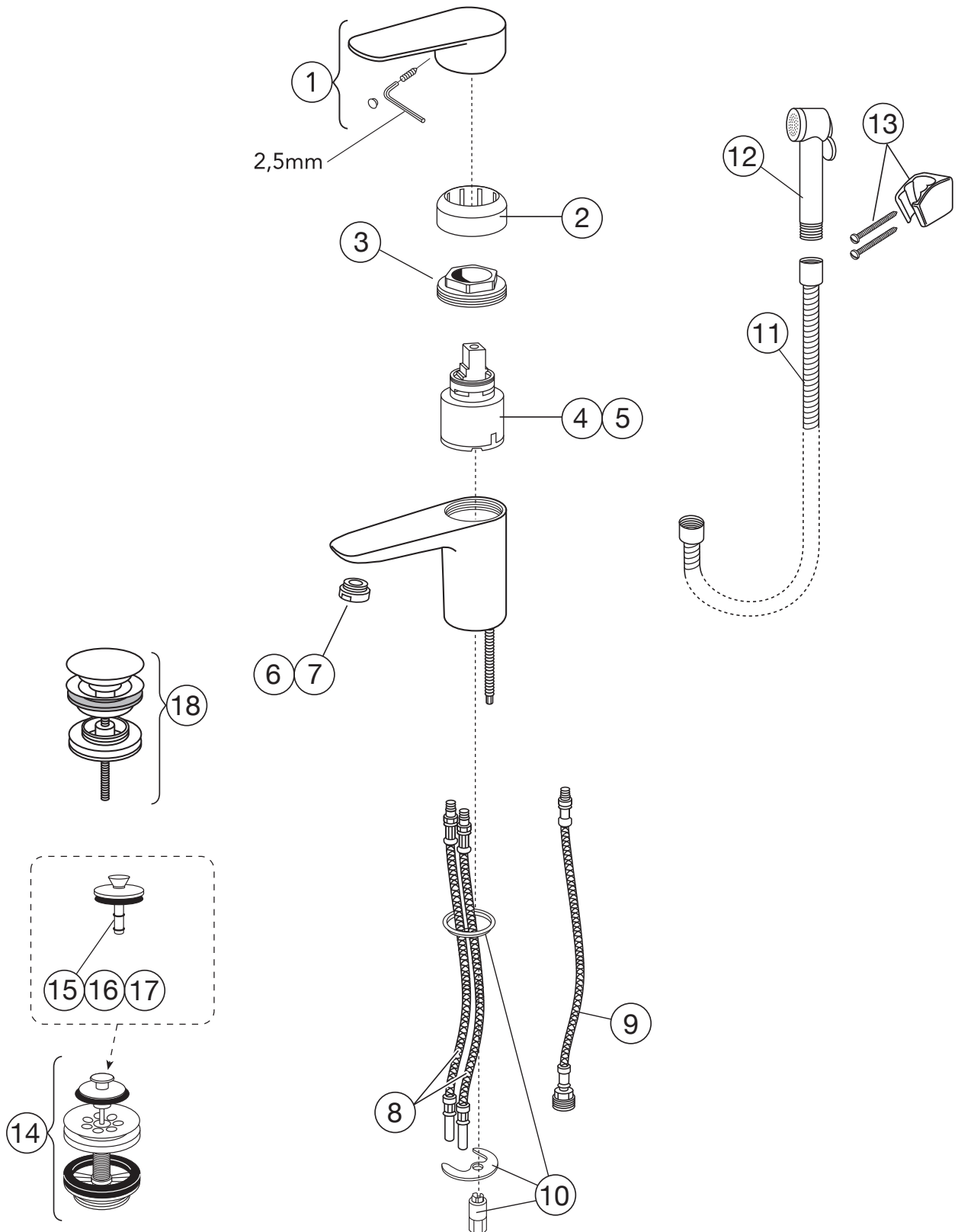


RESERVEDELER

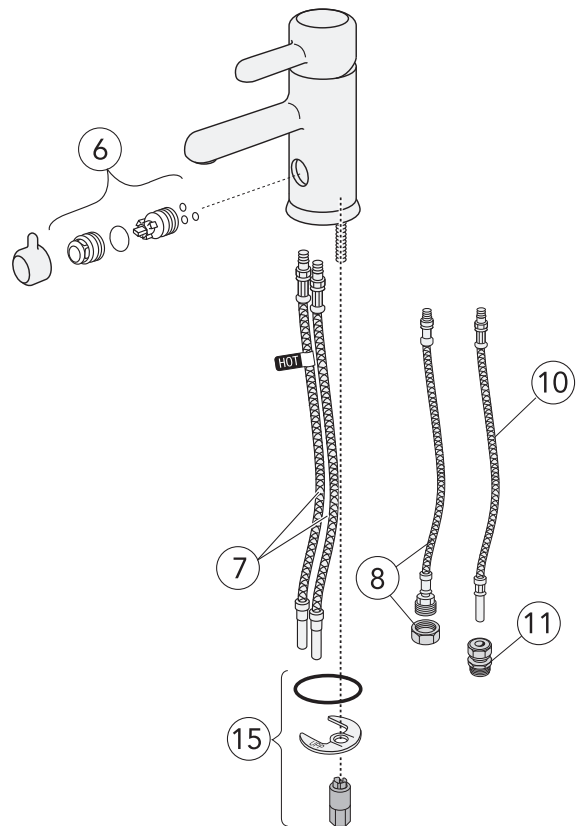
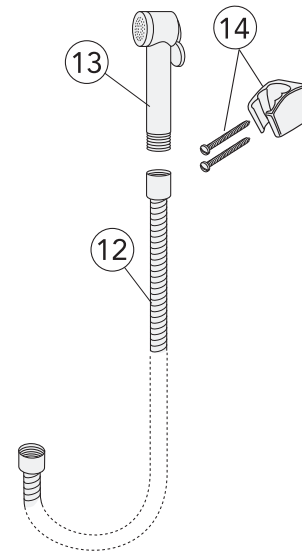
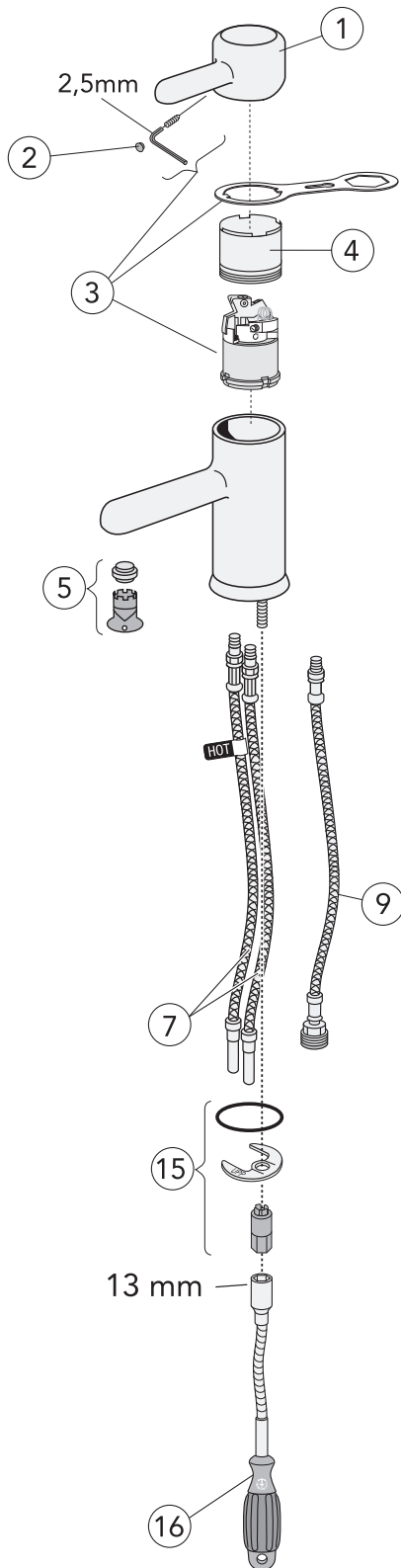


Reservedeler - Nautic servant- og bidekran

DETALJENUMMER OG PRODUKT	NRF. NR.	ART. NR.	VEIL. PRIS EKS. MVA.	VEIL. PRIS INKL. MVA.
1 Ettgreppspak Nautic	4343366	GB41637250	289	361
2 Ettgreppspak HC Nautic	4342627	GB41637360 01	416	520
3 Ettgreppspak HC Nautic (Rød/blå merking)		GB41637363 01	431	539
4 Dekkplugg rød/blå merking	4342661	GB41634828 01	132	165
5 Servicpatron m/verktøy Nautic/Logic	4343367	GB41637267 01	512	640
6 Låsering M45x1,5	4342753	GB41637261 01	145	181
7 Låsering kjøkken med lav utløpstut	4342752	GB41638202	144	180
9 Strålesamler M24x1	4343241	GB41630131 01	106	133
10 Strålesamler M18x1 m/kuleledd f/bidetbatteri	4342713	GB41637270 01	78	98
11 Monteringspose (servant-bidébatteri), -september 2011	4343319	GB41637280 01	83	104
12 Monteringsdetaljer (servant-bidébatteri), september 2011-	4342751	GB41637282 01	76	95
13 Monteringsdetaljer (kjøkkenbatteri) u/avst.	4340713	GB41634157 01	76	95
14 SoftPex slange (M10x1-ø10) lengde 440 mm	4342633	GB41637161 02	213	266
15 SoftPex slange(M10x1-G1/2), lengde 300 mm	4342769	GB41638224 01	150	188
16 SoftPex slange (M10x1-G1/2), lengde 440 mm	4342768	GB41638220 01	150	188
17 SoftPex slange (M8x1-ø10), lengde 400 mm	4342771	GB41638199 01	150	188
SoftPex slange (NY - mangler pris)(svivel)(2015-), kompositt innmatt		GB41638721 02	211	264
18 Kobling 10xG1/2	5080093	FG032033520	25	31
19 Dusjslange G1/2xG1/2	4343804	GB41636263 00	117	146
20 Selvstengende hånddusj	4343121	GB41633860 33	653	816
21 Hånddusjfeste	4340714	GB41637575	120	150
23 Forhøyningsdel 50 mm	4340715	GB41632834	909	1.136
24 X-ringer for utløpstut	4343213	GB41633971 02	64	80
25 Tilkopl.vinkel f/oppv.m. o/benk	4343189	GB41635790 01	634	793
26 Avstengningskran kompl.f/benkebatteri, krom	4343188	GB41635762 3301	213	266
27 Oppløftsventil	4342638	GB41637450	623	779
28 Propp med o-ring -2007 05 (ø40 mm)	4343344	GB41632625 01	86	108
29 Propp m/oppløftsventil 2007 05- (ø38 mm)	4342651	GB41637453	144	180
30 Løftestang	4343055	GB41630305	127	159
31 Silventil	4342653	GB41637445	572	715
32 Propp til silpluggventil -2007 11	4340716	GB41632633 01	86	108
33 Propp til silpluggventil(ø43,5 mm) -2008 11 -2010 05 (UTGÅTT)				
34 Propp til silpluggventil 2010 05-2011 01	4340718	GB41638453 01	86	108
35 Push-down ventil	4343054	GB41636575 01	559	699
36 Detaljer for slagbegrensningstut	4342754	GB41633972	60	75
37 Monteringsverktøy 13/6k	4343341	GB43000014 10	206	258
Monteringsverktøysett	4343369	GB43000021 01	465	581

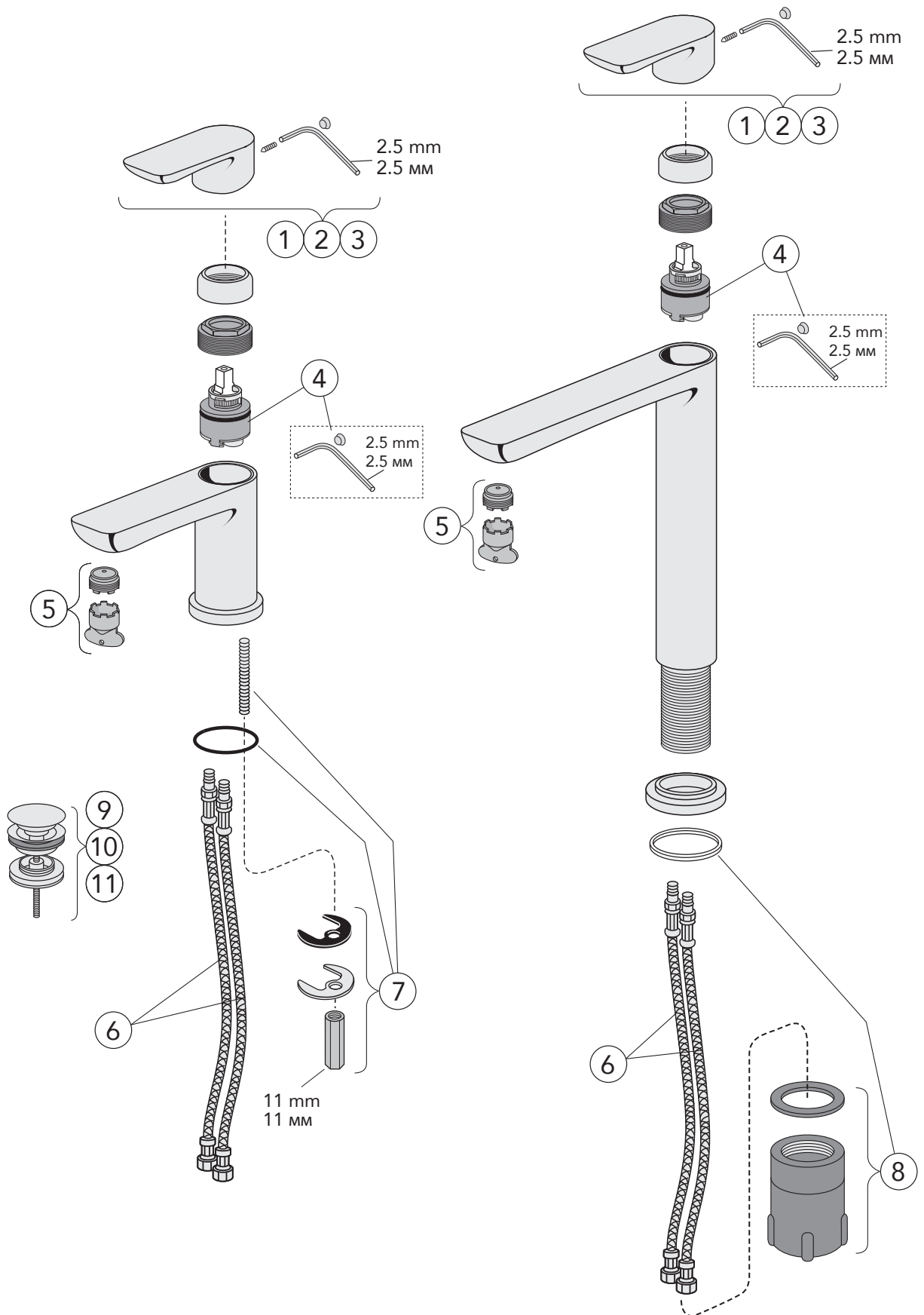


DETALJNUMMER OG PRODUKT	NRF. NR.	ART. NR.	VEIL. PRIS EKS. MVA.	VEIL. PRIS INKL. MVA.
1 Ettgrepspak Atlantic		GB41639541 01	289	362
2 Kappe		GB41639523 01	146	183
3 Mutter- Servicepatron		GB41639522 01	117	146
4 Servicepatron 35 mm		GB41637393	223	279
5 Servicepatron 35 mm, energispar		GB41639567 01	298	373
6 Strålesamlar/perlator M24x1		GB41630131 01	106	133
7 Strålesamlar/perlator M24x1, 1,2 gpm		GB41639565 01	171	214
8 SoftPex slange roterbar-ø10, 2014 05-		GB41638721 02	211	264
9 SoftPex slange 300 mm, roterbar - G1/2 utv.		GB41638720 01	150	188
10 Monteringssett servantkran		GB41639574 01	76	95
11 Dusjslange Biflex 1,75m G1/2xG1/2		GB41636263 00	117	146
12 Selvstengende hånddusj		GB41633860 33	653	816
13 Hånddusjfeste		GB41637575	120	150
14 Silventil		GB41637445	572	715
15 Propp till silventil (ø43,5 mm) -2008 11		GB41632633 01	86	108
16 Propp till silventil (ø40,5 mm) 2008 11 - 2010 05 (UTGÅTT)				
17 Propp till silventil (ø36 mm) 2010 05-		GB41638453 01	86	108
18 Push-down ventil		GB41636575 01	559	699



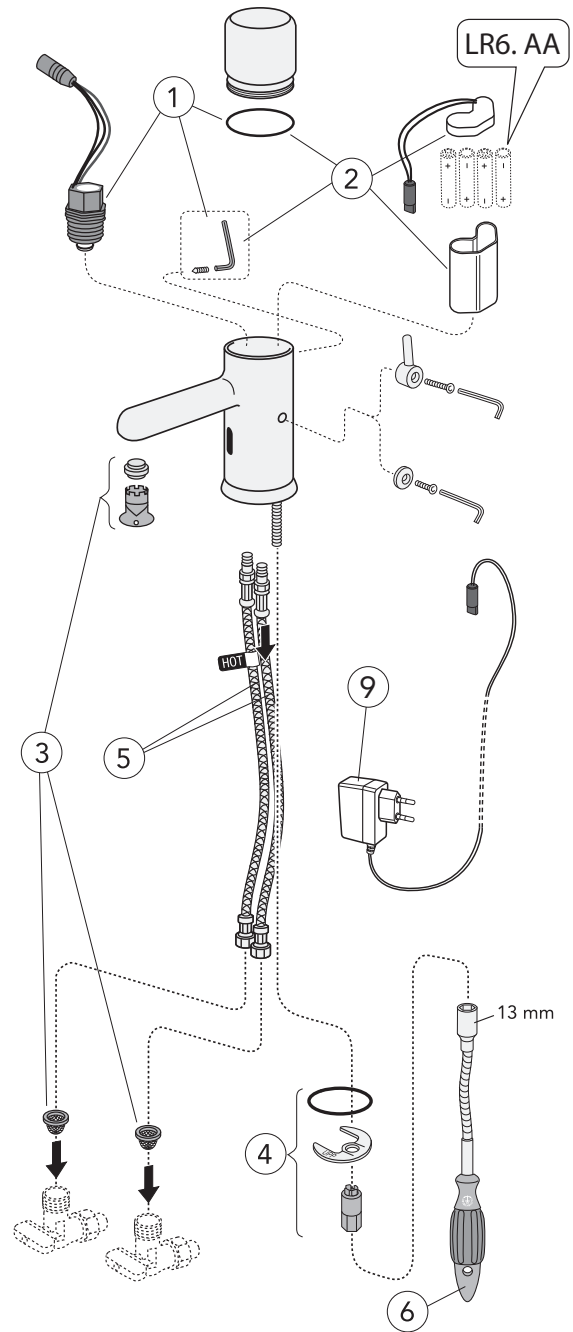
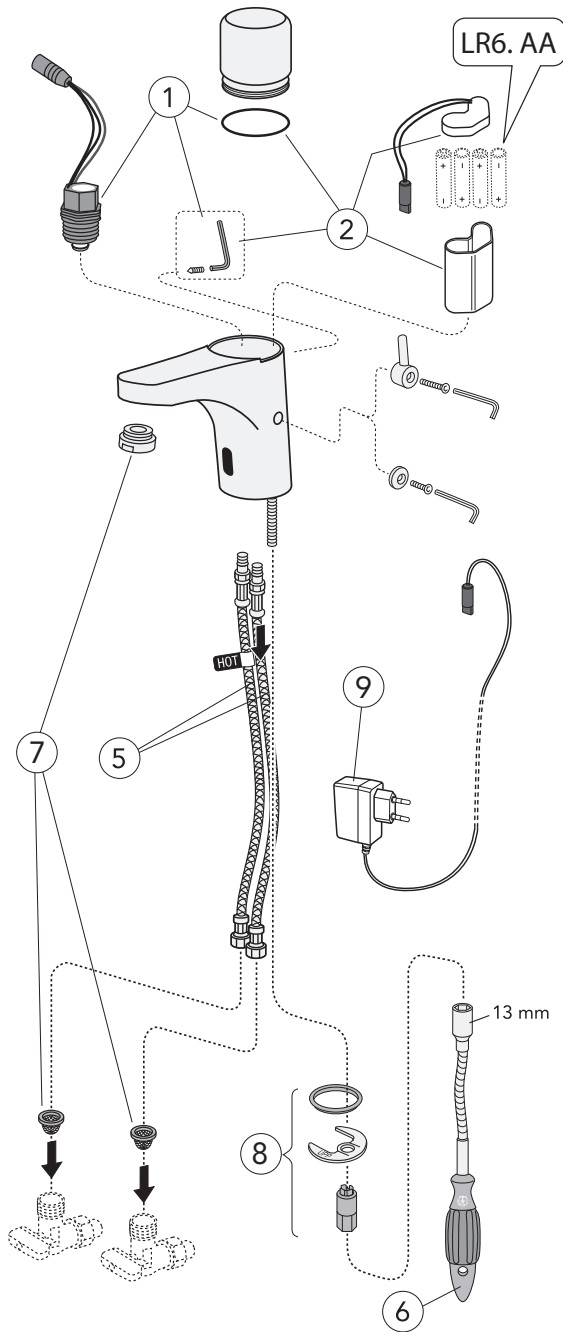
RESERVEDELER

DETALJENUMMER OG PRODUKT	NRF. NR.	ART. NR.	VEIL. PRIS EKS. MVA.	VEIL. PRIS INKL. MVA.
1 Ettgrepsspak Logic	4342766	GB41638514 01	306	383
2 Dekkplugg	4342661	GB41634828 01	132	165
3 Servicepatron m/verktøy for Nautic/Logic	4343367	GB41637267 01	512	640
4 Låsering M45x1,5	4342753	GB41637261 01	145	181
5 Strålesamler, med perlator M18,5x1-B	4342767	GB41638549 01	106	133
6 Avstengningskran komplett for kjøkkenbatteri	4343188	GB41635762 3301	213	266
7 SoftPex slange (M10x1-ø10)	4342633	GB41637161 02	213	266
8 SoftPex slange (M10x1-G1/2)	4342768	GB41638220 01	150	188
9 SoftPex slange (M10x1-G1/2)	4342769	GB41638224 01	150	188
10 SoftPex slange (M8x1-ø10)	4342771	GB41638199 01	150	188
11 Kobling	50800093	FG032033520	25	31
12 Dusjslange	4343804	GB41636263 00	117	146
13 Selvstengende hånddusj	4343121	GB41633860 33	653	816
14 Hånddusjfeste	4340714	GB41637575	120	150
15 Monteringsdetaljer	4342772	GB41636457 01	76	95
16 Monteringsverktøy 13/6k	4343341	GB43000014 10	206	258
Monteringsverktøysett	4343369	GB43000021 01	465	581





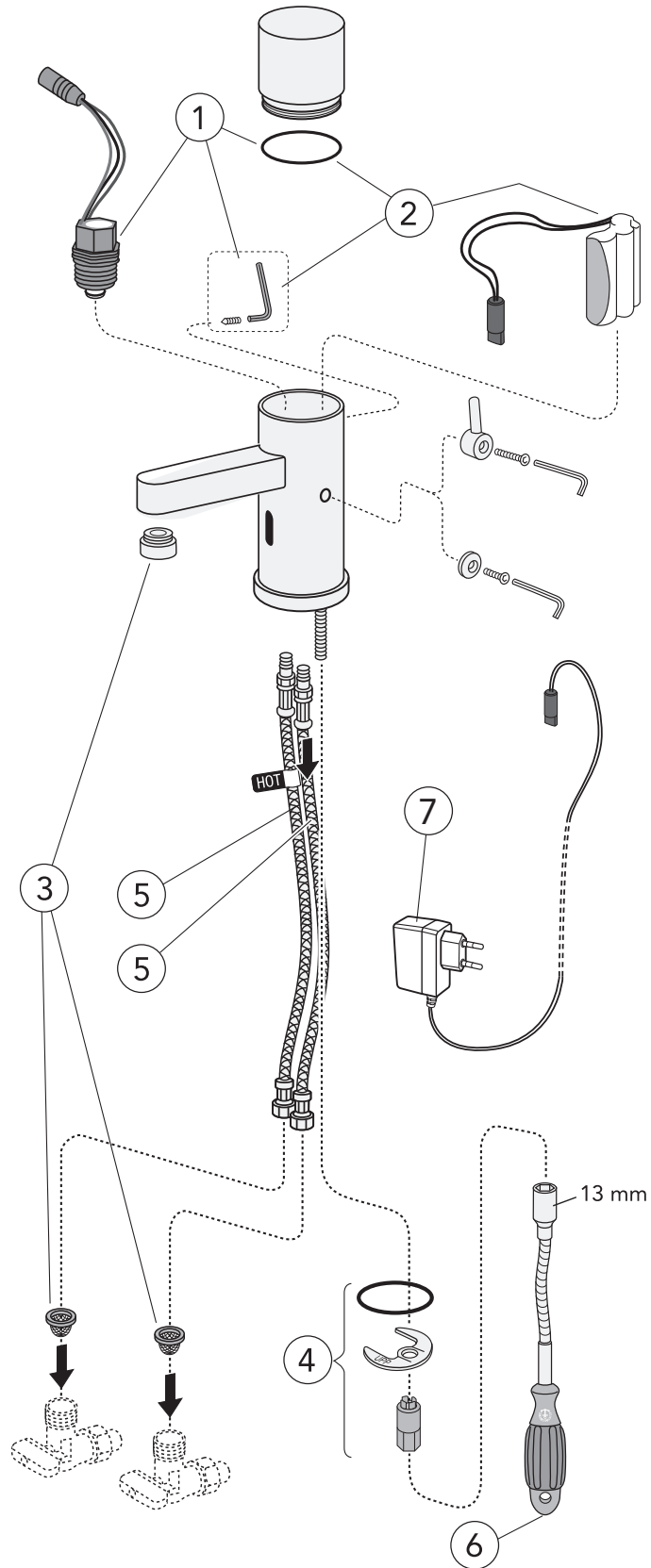
DETALJENUMMER OG PRODUKT	NRF. NR.	ART. NR.	VEIL. PRIS EKS. MVA.	VEIL. PRIS INKL. MVA.
1 Spak for ettgreps servantkran, Estetic, krom		GB41639332 01	186	233
2 Spak for ettgreps servantkran, Estetic, svart (UTGÅENDE, RESTLAGER)		GB41639332 23	972	1.215
3 Spak for ettgreps servantkran, Estetic, matt vit		GB41639332 41	923	1.154
4 Servicepatron ø35 med fordeler		GB41639329 01	179	224
5 Perloator/strålesamler, SSR, STD, M24x1, 8 l/min		GB41639333 01	325	406
6 SPX-slang-440 M10x1-19, G3/8		GB41636726 02	233	291
7 Monteringssett for servantkran Estetic		GB41639327 01	175	219
8 Monteringssett for servantkran hög Estetic		GB41639331 01	68	85





Reservevedeler - Nautic/Logic servantkran, elektronisk

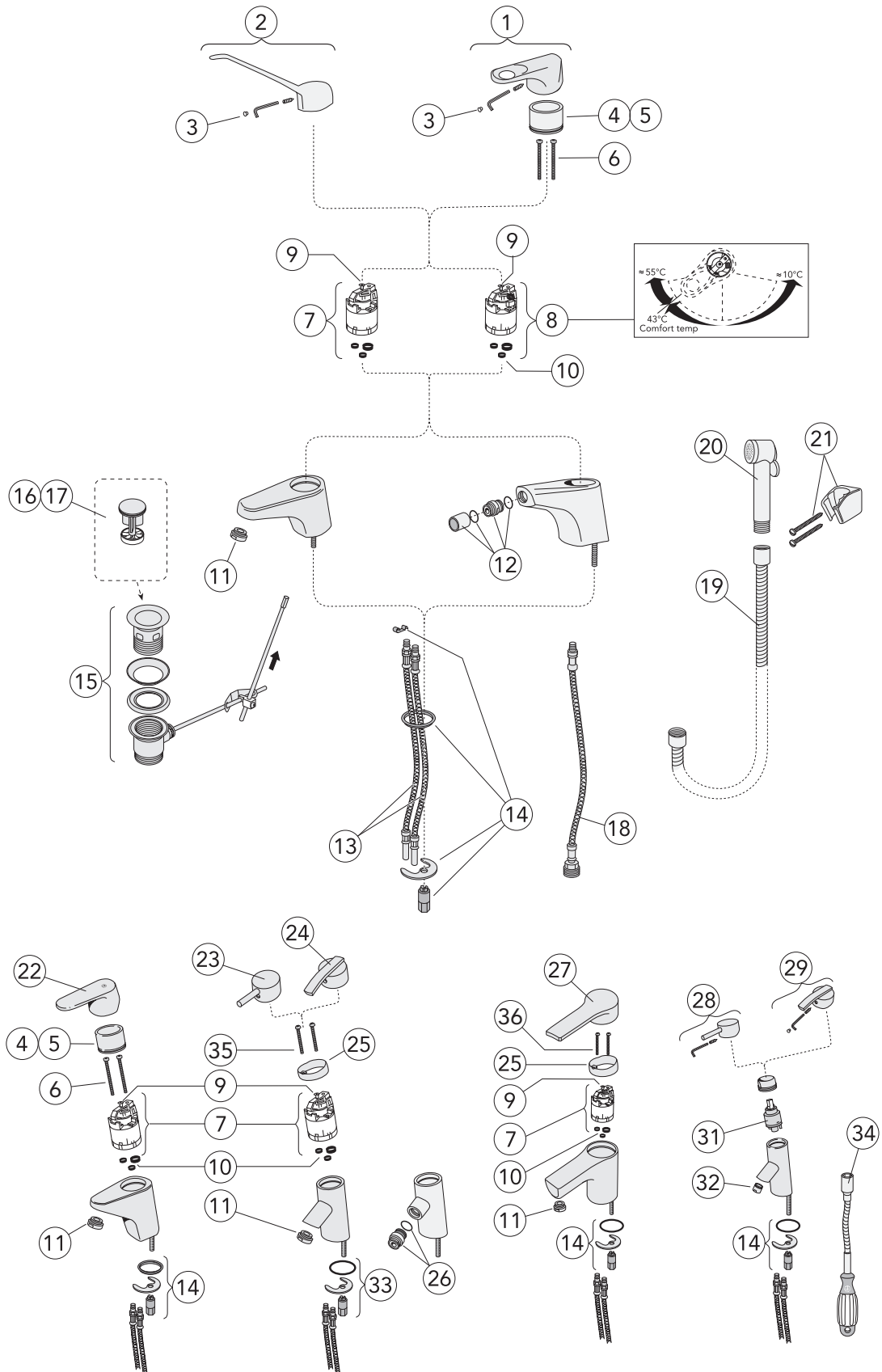
DETALJENUMMER OG PRODUKT	NRF. NR.	ART. NR.	VEIL. PRIS EKS. MVA.	VEIL. PRIS INKL. MVA.
1 Magnetventil		GB41638557 01	1.154	1.443
2 Batteri	4342773	GB41638560 01	404	505
3 Filter, perlator Logic		GB41638544 01	106	133
4 Monteringssats	4342772	GB41636457 01	76	95
5 SoftPex slange (M10x1-G3/8)	4342775	GB41636629 01	124	155
6 Monteringsverktøy	4343341	GB43000014 10	206	258
7 Filter, perlator Nautic		GB41638739 01	105	131
8 Monteringssats Nautic	4342751	GB41637282 01	76	95
Transformator		GB41638561	278	348
Monteringsverktøysett	4343369	GB43000021 01	465	581
Hendel for berøringsfri		GB41638550 01	281	351





Reservedeler - Nordic³ servantkran, elektronisk

DETALJENUMMER OG PRODUKT	NRF. NR.	ART. NR.	VEIL. PRIS EKS. MVA.	VEIL. PRIS INKL. MVA.
1 Magnetventil		GB41638557 01	1.154	1.443
2 Batteripakke	4342773	GB41638560 01	404	505
3 Filter, strålesamler		GB41639125 01	102	127
4 Monteringssats	4342772	GB41636457 01	76	95
5 SoftPex slange (M10x1-G3/8)	4342775	GB41636629 01	124	155
6 Monteringsverktøy 13/6k	4343341	GB43000014 10	206	258
7 Transformator, 6 Volt		GB41638561	278	348



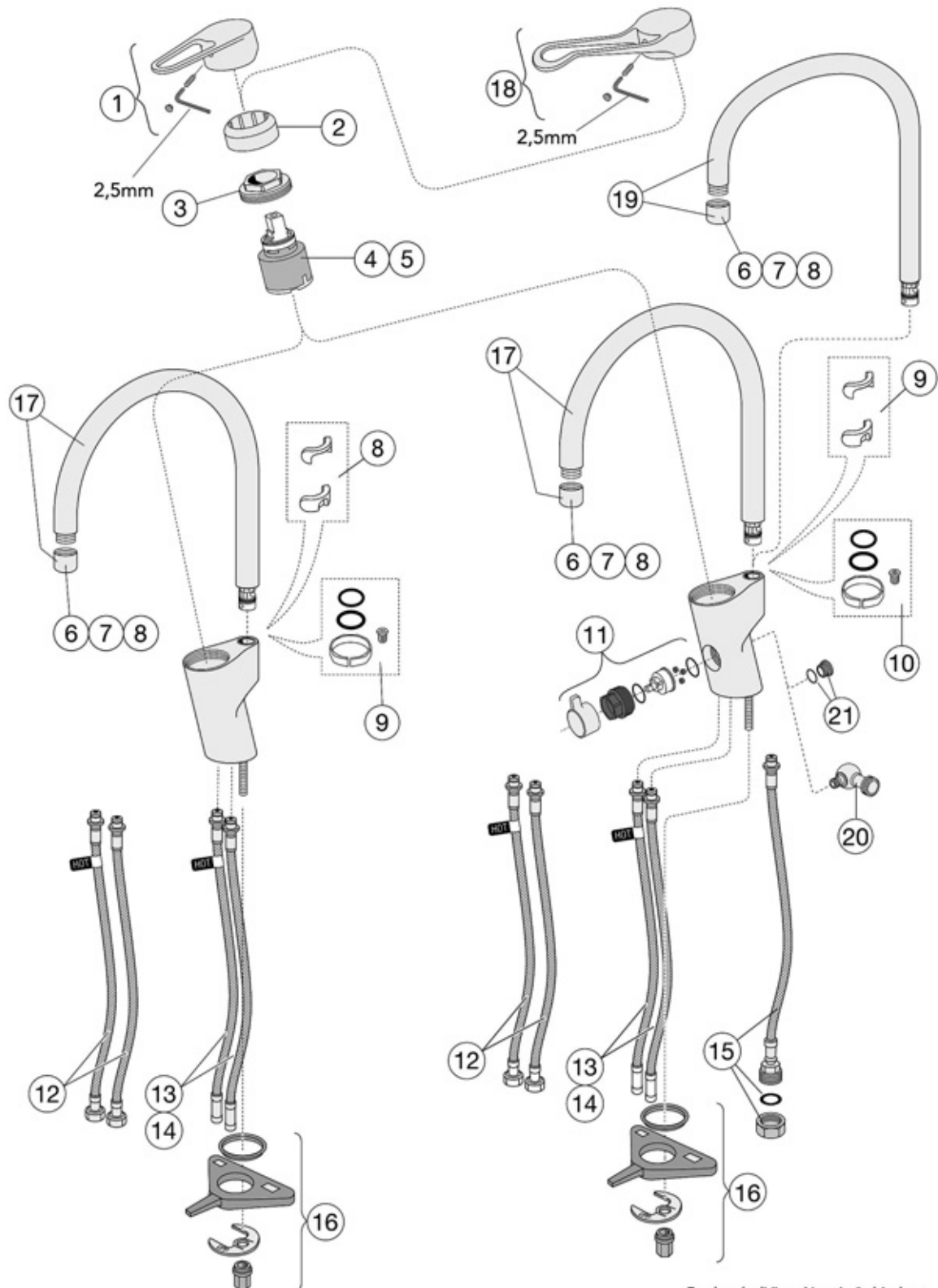
RESERVEDELER



Reservevedeler - Nordic, Skandic, ND40, Centic servant- og bidekran

DETALJENUMMER OG PRODUKT	NRF. NR.	ART. NR.	VEIL. PRIS EKS. MVA.	VEIL. PRIS INKL. MVA.
1 Ettgreppspak Nordic	4343347	GB41636617 01	213	266
2 HC Ettgreppspak Nordic	4342991	GB41635430 01	416	520
3 Dekkplugg, rød/blå merking	4342661	GB41634828 01	132	165
4 Kåpe gjenget	4343166	GB41634470 01	145	181
5 Kåpe med O-ring	4343126	GB41636326 01	150	188
6 Festeskruer for servicepatron M5x63	4343217	GB41636302 02	163	204
7 Servicepatron inkl. topplokk 634955-01, Universal	4343196	GB41633877 01	609	761
8 Servicepatron Nordic TT-funksjon	4343059	GB41635678 8701	593	741
9 Spakfeste TP 6-19		GB41636319	60	75
10 Gummipakning for servicepatron, komplett	4343211	GB41633513 01	77	96
11 Strålesamlere M24x1	4343241	GB41630131 01	106	133
12 Perlator f/bidetbatteri	4342713	GB41637270 01	78	98
13 SoftPex slange (M10x1-ø10), 440 mm	4342633	GB41637161 02	213	266
14 Monteringsdetaljer	4343319	GB41637280 01	83	104
15 Oppløftsventil u/løftestang, krom	4342638	GB41637450	623	779
16 Propp m/O-ring -2007 05	4343344	GB41632625 01	86	108
17 Propp m/oppløftsventil 2007 0-	4342651	GB41637453	144	180
18 SoftPex slang (M10x1-G1/2), 300 mm	4342769	GB41638224 01	150	188
19 Dusjslange G1/2xG1/2	4343804	GB41636263 00	117	146
20 Selvstengende hånddusj	4343121	GB41633860 33	653	816
21 Handdusjfeste	4340714	GB41637575	120	150
22 Ettgreppsspak ND40	4343127	GB41636337 01	239	299
23 Ettgreppsspak Pin Skandic 03 (UTGÅTT)				
24 Ettgreppsspak Leg Skandic 03	4346741	GB41636447 01	880	1.100
25 Kåpe	4342669	GB41635680 01	412	515
26 Strålesamlre/kullet M24x1	4343337	GB41632863 01	79	99
28 Ettgreppsspak Pin mini Skandic 03	4346745	GB41636920 01	790	987
31 Servicepatron 35	4343358	GB41636654 01	653	816
32 Strålsamler/perlator M18x1	4343359	GB41636912 01	83	104
33 Monteringsdetaljer	4342772	GB41636457 01	76	95
34 Monteringsverktøy13/6 kant.	4343341	GB43000014 10	206	258
Monteringsverktøysett	4343369	GB43000021 01	465	581
35 Festeskruer M5x42 for Skandic 03		GB41636606 02	65	81
36 Festeskruer M4x56 for Centic Kjedefeste (UTGÅTT)		GB41635671 02	65	81

RESERVEDELER



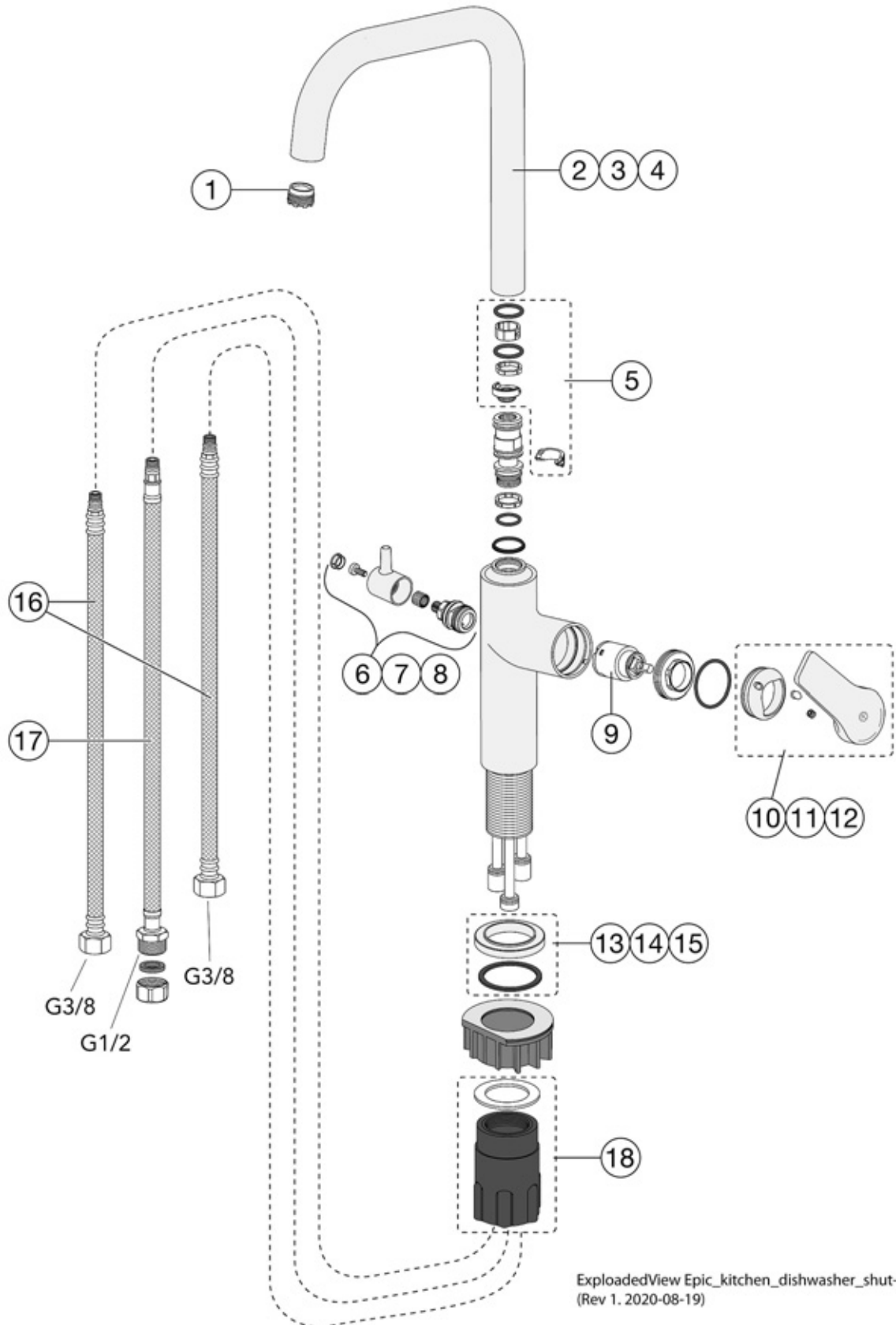
ExplodedView Nautic_2_kitchen
(Rev 1. 2021-01-20)



Reservevedeler - Nye Nautic kjøkkenkran med høy tut år 2021 -

DETALJENUMMER OG PRODUKT	NRF. NR.	ART. NR.	VEIL. PRIS EKS. MVA.	VEIL. PRIS INKL. MVA.
1 Ettgrepsspak Nye Nautic		GB41639803 01	289	361
2 Dekkekåpe		GB41639523 01	55	69
3 Mutter - kerampakke		GB41639522 01	200	250
4 Kerampakke 35mm smart + standard	4342719	GB41637393	223	279
5 Kerampakke 35mm smart + energieffektiv		GB41639567 01	268	335
6 Strålesamler M22x1	4343242	GB41630129 01	106	133
7 Strålesamler M22x1 7 l/min		GB41639610 01	149	186
8 Parlator / Strålesamler		GB41639971 01	189	236
9 Slagbegrensningssats	4342716	GB41638450	115	144
10 O-ringsats	4342659	GB41637010 01	134	168
11 Oppvaskamaskininstenging		GB41639547 01	214	268
12 SoftPex-slange G3/8, 2016 08-		GB41639279 02	330	413
13 SoftPex-slange roterbar		GB41638721 02	211	264
14 SoftPex-slange plugin - slett ende i overdratt PEX		GB41638708 02	438	548
15 SoftPex-slange 440mm		GB41638701 01	201	251
16 Monteringssett		GB41639937 01	120	150
17 Utløpskran	4342776	GB41637326 0	1.009	1.261
18 Ettgrepsspak Care		GB41639801 01	416	520
19 Utløpskran		GB41638474 01	456	570
20 Tilkoblingsvinkel	4343189	GB41635790 01	634	793
21 Plugg til oppvaskmaskintilkobling på benk		GB41639525 01	64	80

RESERVEDELER

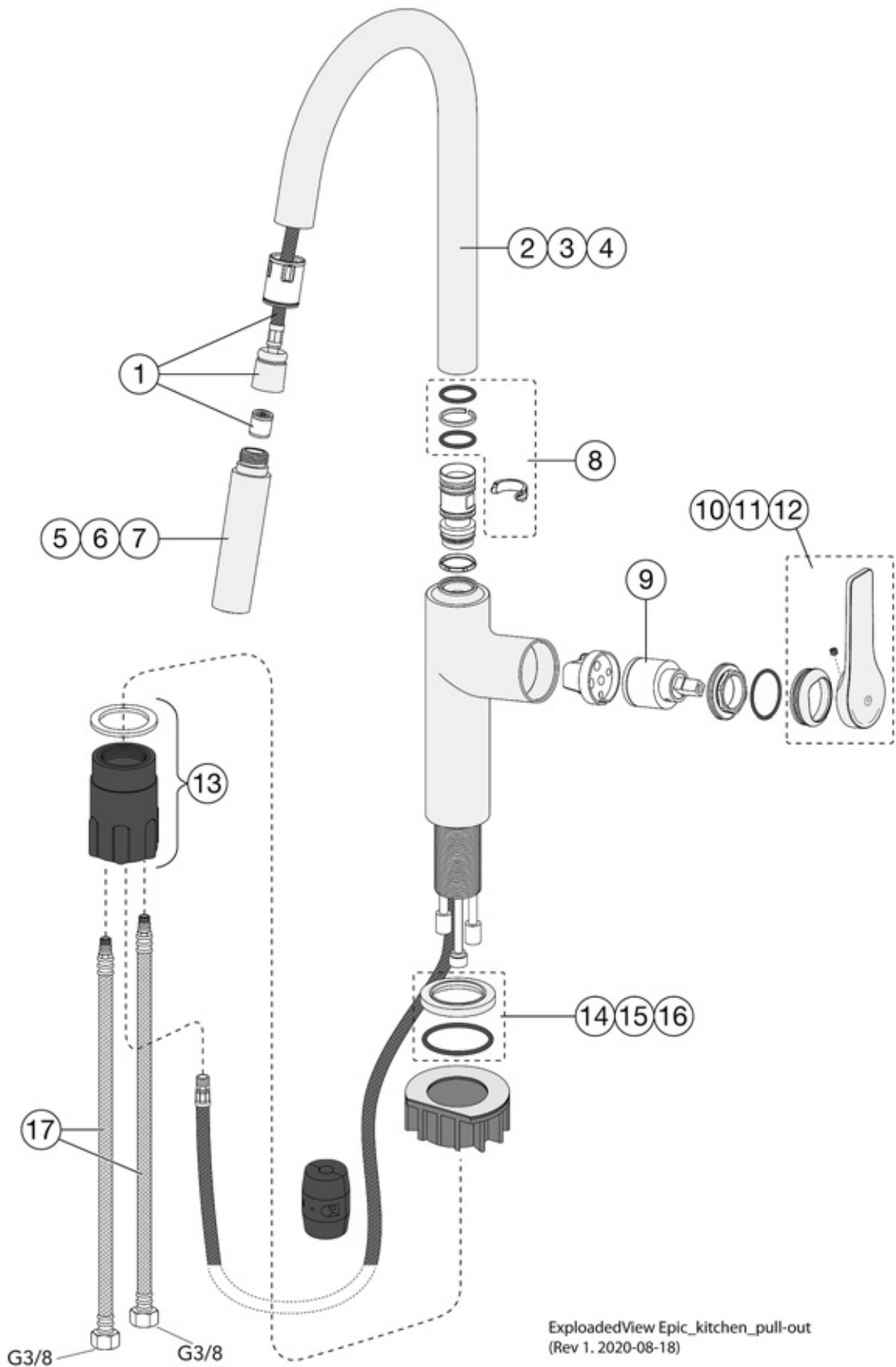


RESERVEDELER



Reservevedeler - Epic kjøkkenkran år 2020-

DETALJENUMMER OG PRODUKT	NRF. NR.	ART. NR.	VEIL. PRIS EKS. MVA.	VEIL. PRIS INKL. MVA.
1 Strålesamler m18,5x1 "B"	4342767	GB41638549 01	106	133
2 Tut krom		GB41639771 01	566	708
3 Tut børstet stål		GB41639771 24	588	735
4 Tut matt sort		GB41639771 53	610	763
5 Monteringssett		GB41639778 01	124	155
6 Rat/ventil til oppvaskmaskin, krom		GB41639631 01	925	1.156
7 Rat/ventil til oppvaskmaskin, børstet messing		GB41639631 24	925	1.156
8 Rat/ventil til oppvaskmaskin, matt sort		GB41639631 53	925	1.156
9 Patron ø25		GB41639775 01	248	310
10 Spak Krom		GB41639768 01	217	271
11 Spak børstet stål		GB41639768 24	257	321
12 Spak matt sort		GB41639768 53	261	326
13 Sokkel ø50 krom		GB41639773 01	217	271
14 Sokkel ø50 børstet messing		GB41639773 24	257	321
15 Sokkel ø50 matt sort		GB41639773 53	261	326
16 SoftPlex-slange M10x1 G3/8	4342775	GB41636629 01	124	155
17 SoftPlex-slange M10x1 G1/2	4342768	GB41638220 01	150	188
18 Monteringsdetaljer		GB41639331 01	261	326

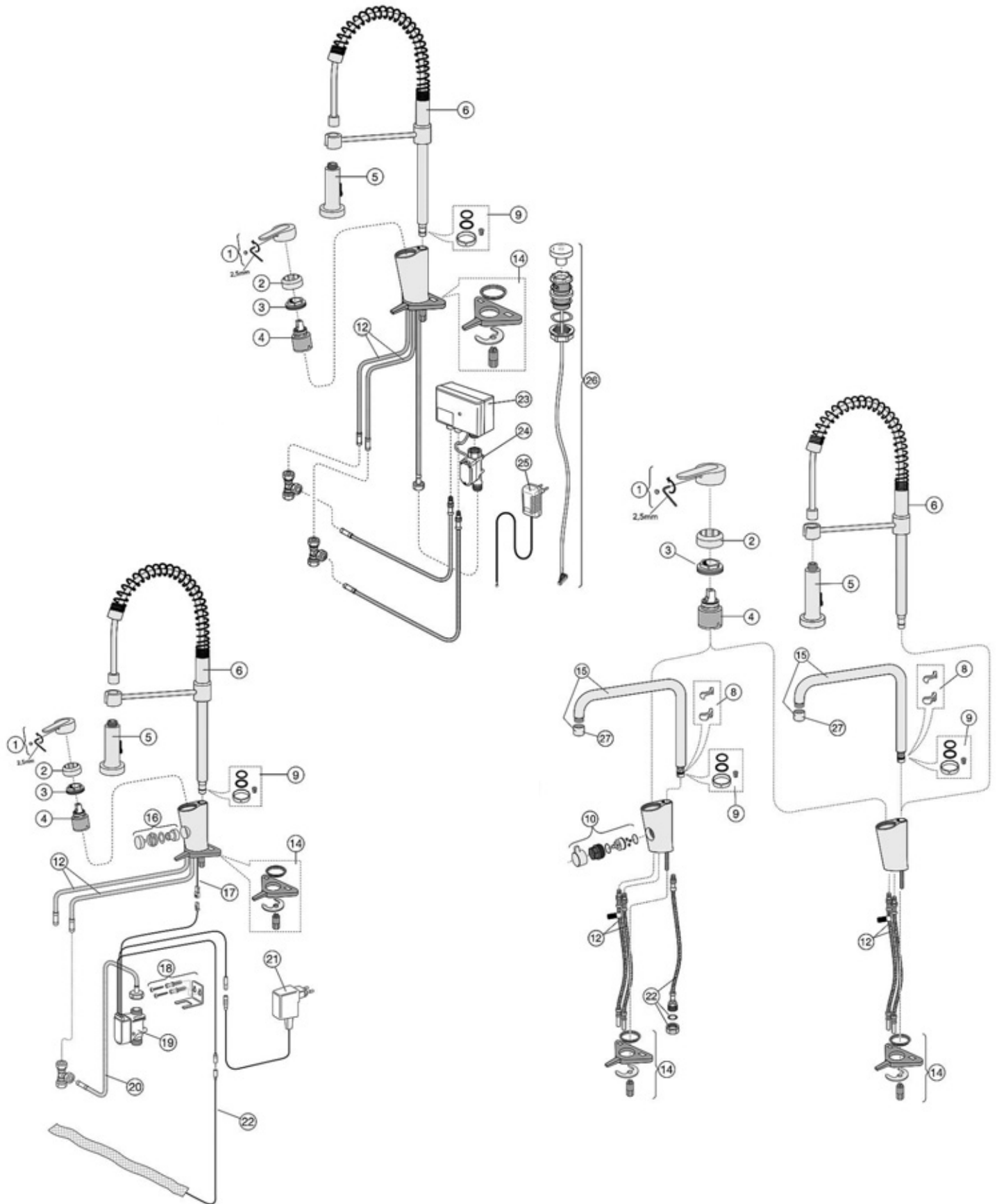


RESERVEDELER



Reservevedeler - Epic kjøkkenkran uttrekkbar år 2020-

DETALJENUMMER OG PRODUKT	NRF. NR.	ART. NR.	VEIL. PRIS EKS. MVA.	VEIL. PRIS INKL. MVA.
1 Slange for uttrekk		GB41639776 01	283	354
2 Tut krom		GB41639772 01	566	708
3 Tut børstet stål		GB41639772 24	588	735
4 Tut matt sort		GB41639772 53	610	763
5 Utrekk hånddusj, krom		GB41639767 01	504	630
6 Utrekk hånddusj, børstet messing		GB41639767 24	525	656
7 Utrekk hånddusj, matt sort		GB41639767 53	548	685
8 Monteringssett		GB41639777 01	124	155
9 Kerampakke 35mm smart + standard	4342719	GB41637393	223	279
10 Spak, krom		GB41639769 01	217	271
11 Spak, børstet messing		GB41639769 24	257	321
12 Spak, matt sort		GB41639769 53	261	326
13 Monteringsdetaljer		GB41639331 01	261	326
14 Sokkel ø54, krom		GB41639774 01	217	271
15 Sokkel ø54, børstet messing		GB41639774 24	257	321
16 Sokkel ø54, matt sort		GB41639774 53	261	326
18 SoftPex-slange M10x1 - G3/8	4342775	GB41636629 01	124	155

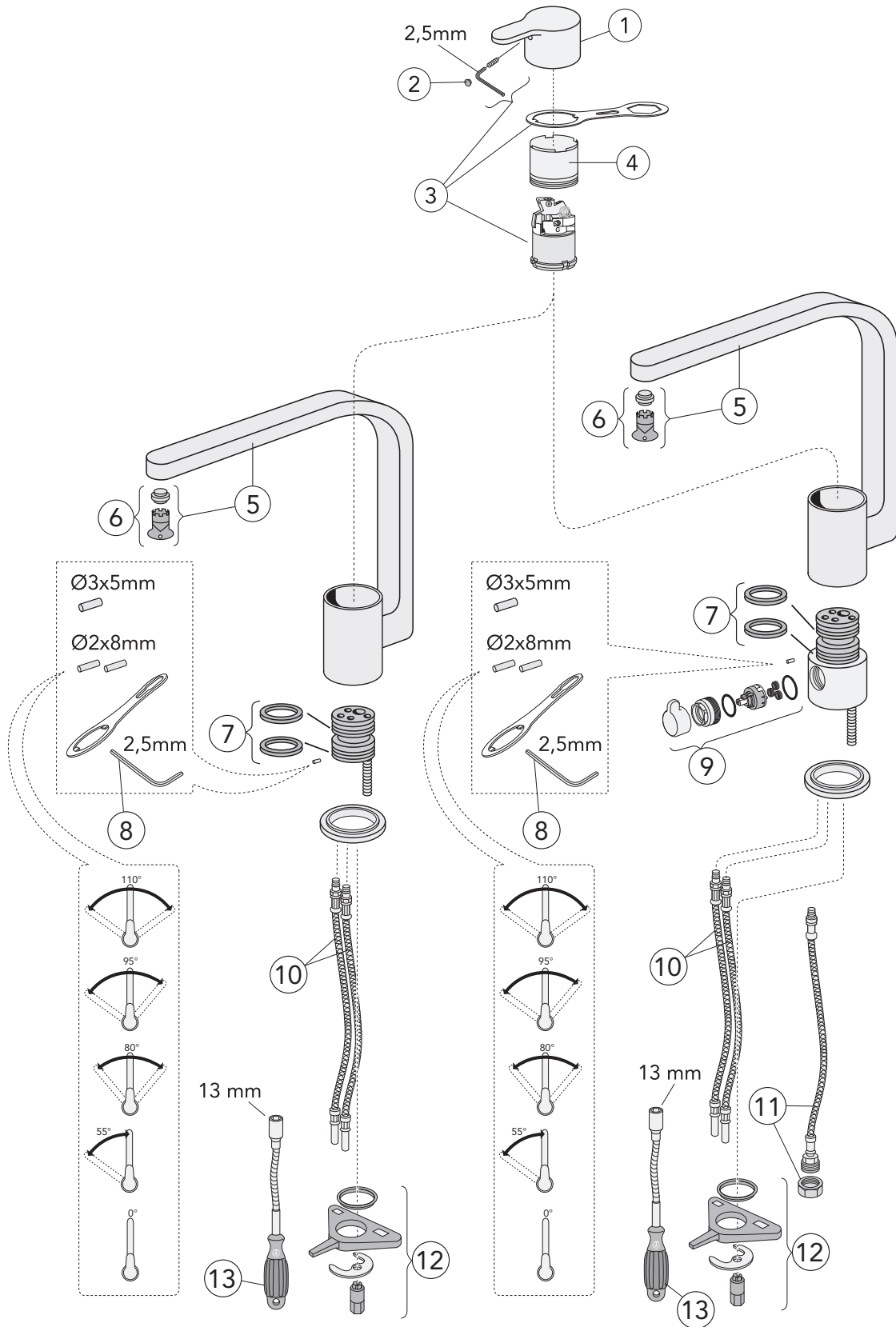




Reservevedeler - Nordic Plus kjøkkenkran år 2019 -

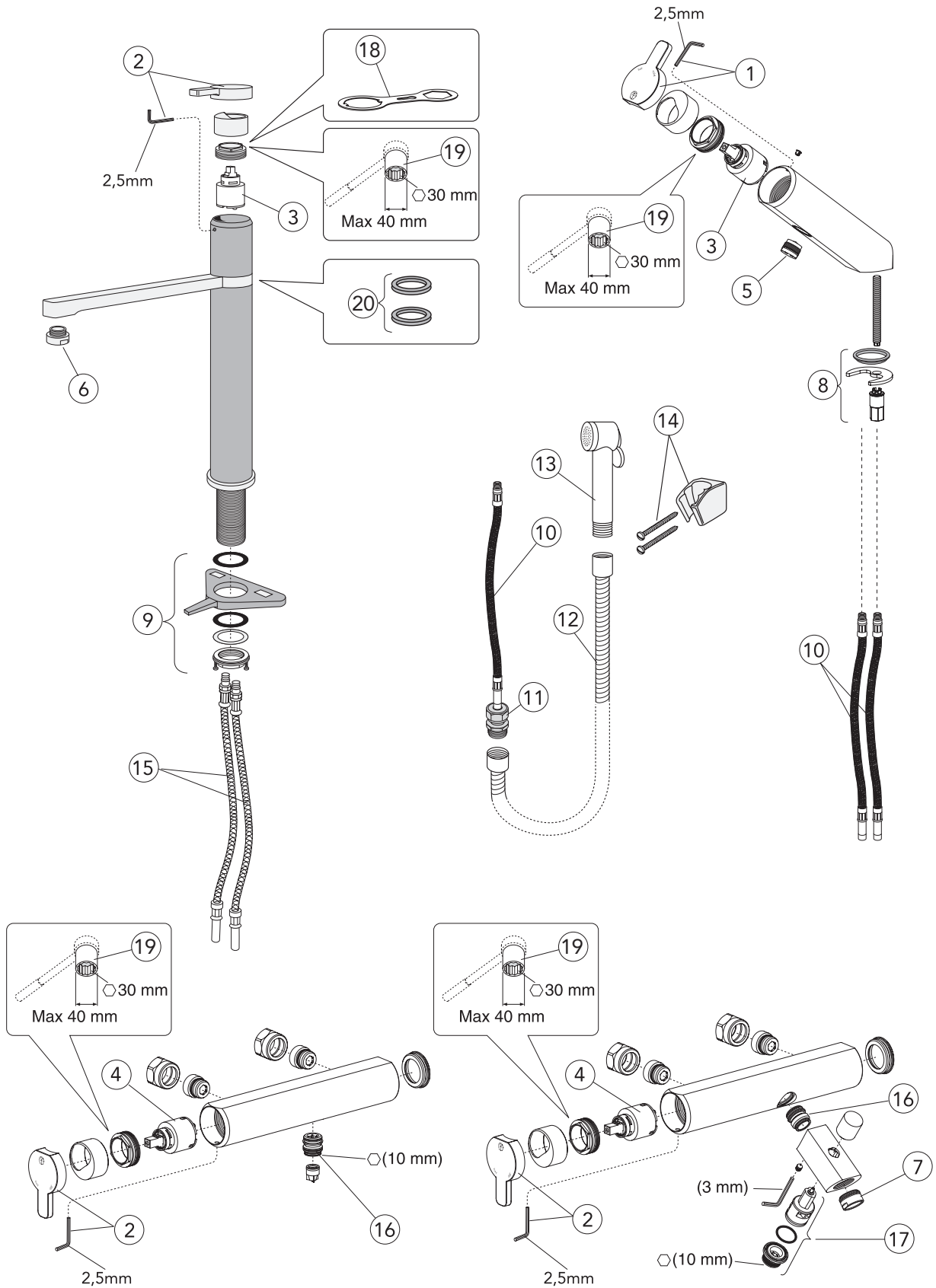
DETALJENUMMER OG PRODUKT	NRF. NR.	ART. NR.	VEIL. PRIS EKS. MVA.	VEIL. PRIS INKL. MVA.
1 Spak Nordic plus (2019-)		GB41639625 01	120	150
2 Dekkekåpe		GB41639523 01	146	183
3 Mutter - kerampakke		GB41639522 01	117	146
4 Kerampakke 35mm smart + standard	4342719	GB41637393	223	279
8 Slagbegrensningssats	4342716	GB41638450	115	144
9 O-ringsats	4342659	GB41637010 01	134	168
10 Avstanging for oppvaskmaskin		GB41639547 01	298	373
12 SoftPlex-slange		GB41638721 02	211	264
13 SoftPlex-slange 440mm		GB41638701 01	412	515
14 Monteringssett - kjøkkenblandeatteri		GB41639573 01	152	190
15 Tut Atlantic		GB41639540 01	1.149	1.436
16 Regulator el, oppvaskmaskinavstenging		GB41639707 01	120	150
17 Kabel for el, oppvaskmaskinavstenging		GB41639678 01	120	150
18 Konsoll for el, oppvaskmaskinavstenging		GB41639681 01	120	150
19 Avstengingsventil for el, oppvaskmaskinavstenging		GB41639680 01	120	150
21 Hovedenhet for duo		GB41639686 01	120	150
24 Avtengingsventil for duo		GB41639690 01	120	150
25 Strømadapter 220V for duo		GB41639688 01	120	150
26 Regulator for duo		GB41639685 01	120	150
27 Strålesamler	4343242	GB41630129 01	106	133
Strømadapter 220V for el, oppvaskmaskinavstenging		GB41639683 01	120	150
Dusjåndtak		GB41638754 01	855	1.069
Utløpskran		GB41638753 01	2.318	2.898

RESERVEDELER





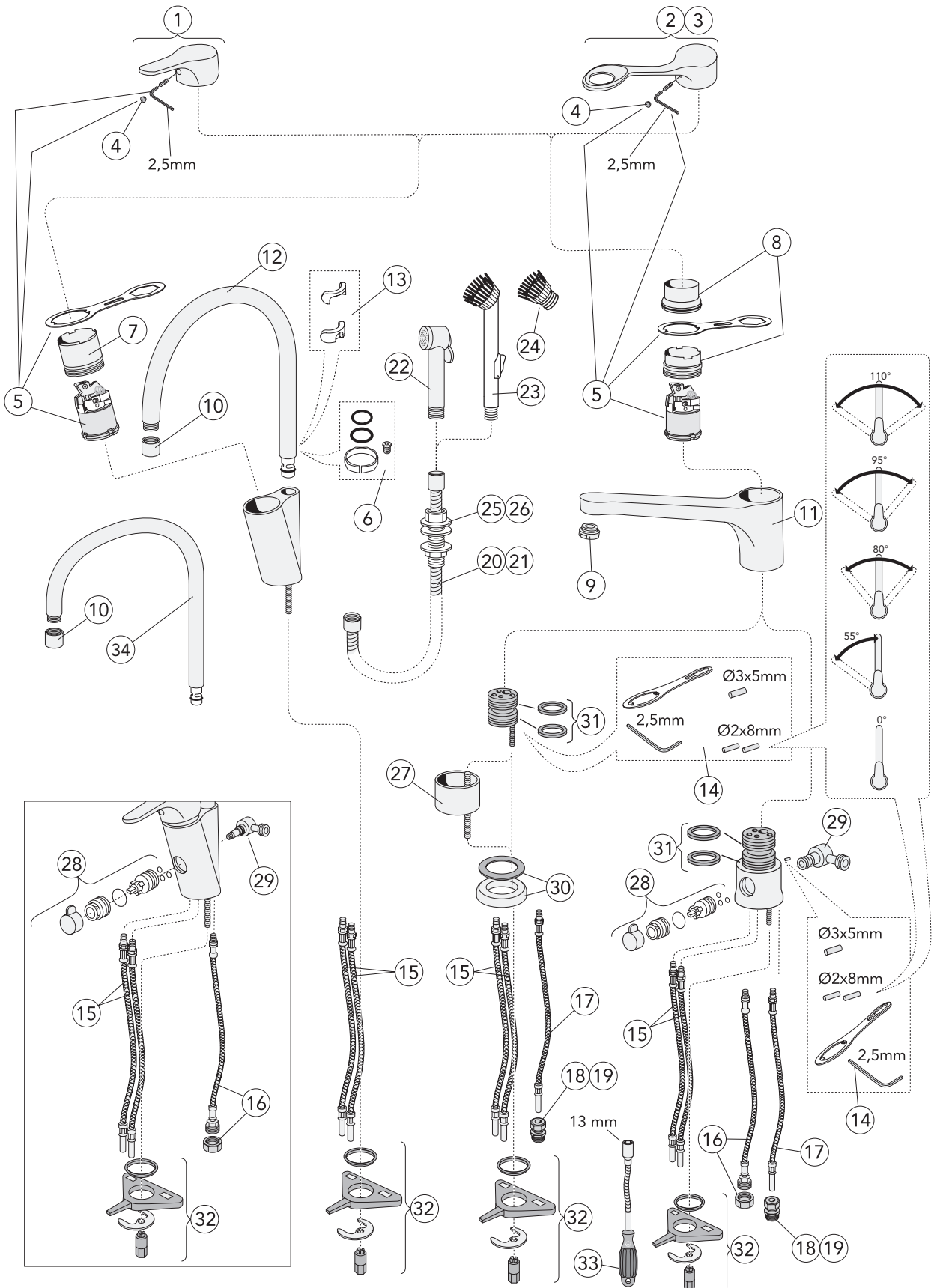
DETALJENUMMER OG PRODUKT	NRF. NR.	ART. NR.	VEIL. PRIS EKS. MVA.	VEIL. PRIS INKL. MVA.
1 Ettgreppspak Nordic ³		GB41639062 01	285	356
2 Dekkplugg rød/blå merking	4342661	GB41634828 01	132	165
3 Servicepatron	4343367	GB41637267 01	512	640
4 Låsering M45x1,5	4342753	GB41637261 01	145	181
5 Utløpstut		GB41639066 01	1.449	1.811
6 Strålesamler, Caché-HC-TJ-maie M18,5x1-B	4342767	GB41638549 01	106	133
7 X-ringer	4343213	GB41633971 02	64	80
8 Detaljer for slagbegrensning - utløpstut	4342754	GB41633972	60	75
9 Avstengningskran komplett 1998 08-	4343188	GB41635762 3301	213	266
10 SoftPex slanger (M10x1-ø10)	4342633	GB41637161 02	213	266
11 SoftPex slange (M10x1-G1/2)	4342768	GB41638220 01	150	188
12 Monteringsdetaljer (kjøkkenbatteri)	4340713	GB41634157 01	76	95
13 Monteringsverktøy 13/6kant.	4343341	GB43000014 10	206	258
Ledet perlator	4340711	GB41638521 01	144	180





Reservevedeler - Coloric servant-, kjøkken-, dusj- og badekarkran

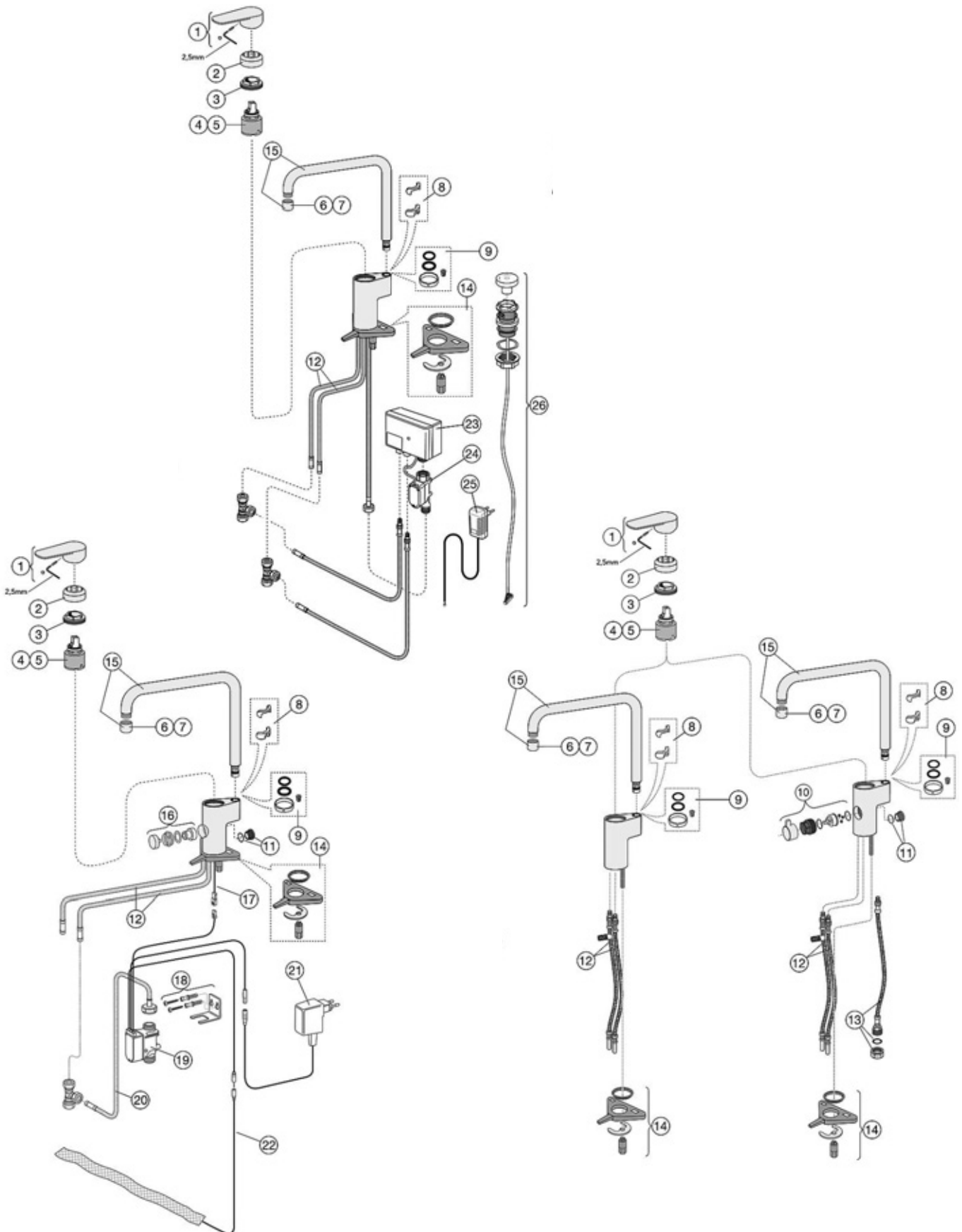
DETALJENUMMER OG PRODUKT	NRF. NR.	ART. NR.	VEIL. PRIS EKS. MVA.	VEIL. PRIS INKL. MVA.
1 Ettgrepspak servantbatterier Coloric	4342721	GB41637406	574	718
2 Ettgrepspak Kjøkken/kar/dusjblatt, Coloric	4342722	GB41637407	513	641
3 Servicepatron servant/kjøkkenbatt, Coloric	4342724	GB41637415	200	250
4 Servicepatron kar/dusjbatterier Coloric	4342719	GB41637393	223	279
5 Strålesamlere M18,5x1	4342926	GB41637418	259	324
6 Strålesamlere M24x1 "A"	4343241	GB41630131 01	106	133
7 Strålesamlere M24x1 "D"	4342717	GB41637387 01	365	456
8 Monteringsdetaljer servantbatterier	4343319	GB41637280 01	83	104
9 Monteringsdetaljer kjøkkenbatterier	4342714	GB41638358 01	76	95
10 SoftPex slange	4342718	GB41637389 02	239	299
11 Kobling 10xG1/2	5080123	FG032033520	25	31
12 Dusjslange G1/2xG1/2	4343804	GB41636263 00	117	146
13 Selvstengende hånddusj	4343121	GB41633860 33	653	816
14 Hånddusj feste	4340714	GB41637575	120	150
15 SoftPex slange	4342715	GB41638361 02	239	299
16 Tilkoblingsnippel utløp	4342723	GB41637410	154	193
17 Draomkastare	4342725	GB41637416	399	499
Monteringsverktøy 13/6k	4343341	GB43000014 10	206	258
Monteringsverktøysett	4343369	GB43000021 01	465	581
18 Verktøy Nautic		GB41637260	163	204
19 Hylse NV		GB41638429 01	212	265
20 X-ringer	4343213	GB41633971 02	64	80





Reservedeler - Nautic kjøkkenbatterier

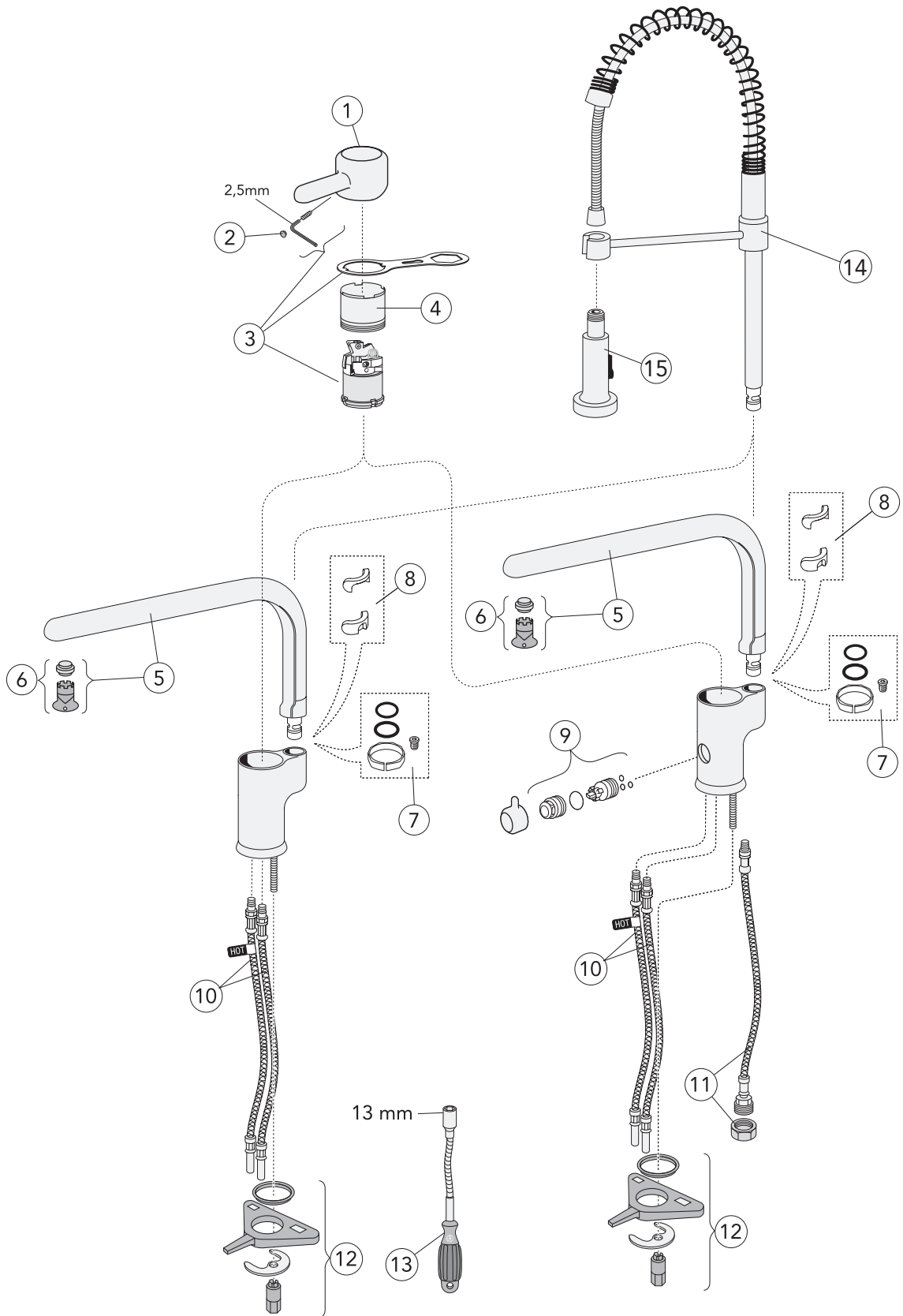
DETALJENUMMER OG PRODUKT	NRF. NR.	ART. NR.	VEIL. PRIS EKS. MVA.	VEIL. PRIS INKL. MVA.
1 Ettgrepspak Nautic	4343366	GB41637250	289	361
2 Ettgrepspak HC Nautic	4342627	GB41637360 01	416	520
3 Ettgreps HC spak Nautic (rød/blå merking)	4342735	GB41637363 01	431	539
4 Dekkplugg rød/blå merking	4342661	GB41634828 01	132	165
5 Servicepatron Nautic	4343367	GB41637267 01	512	640
6 O-ringsats	4342659	GB41637010 01	134	168
7 Låsering M45x1,5	4342753	GB41637261 01	145	181
8 Låsering kj.batt med lav utløpstut	4342752	GB41638202	144	180
9 Strålsamlere M24x1	4343241	GB41630131 01	106	133
10 Strålsamlere M22x1	4343242	GB41630129 01	106	133
11 Utløpstut (UTGÅTT)				
12 Utløpstut Nautic/Nordic -2007 04	4342776	GB41637326 0	1.009	1.261
13 Slagbegrensningssats - utløpstut	4342716	GB41638450	115	144
14 Detaljer for slagbegrensning	4342754	GB41633972	60	75
15 SoftPex slange (M10x1-ø10)	4342633	GB41637161 02	213	266
16 SoftPex slange (M10x1-G1/2), lengde 440 mm	4342768	GB41638220 01	150	188
17 SoftPex slange (M8x1-ø10), lengde 400 mm	4342771	GB41638199 01	150	188
SoftPex slange (NY - mangler pris)(svivel)(2015-), kompositt innmatt		GB41638721 02	211	264
18 Kobling 10xG1/2, -201005	5080093	FG032033520	25	31
19 Kobling 10xG3/8, 201005-	5080086	FG032033420	20	25
20 Dusjslange G1/2xG1/2, -2010 05	4343804	GB41636263 00	117	146
21 Dusjslange G1/2xG3/8, 2010 05-	4342731	GB41638375 01	168	210
22 Selvstengende hånddusj	4343121	GB41633860 33	653	816
23 Selvstengende oppvaskbørste	4343209	GB41633861 25	765	956
24 Oppvaskbørste (UTGÅENDE, RESTLAGER)	4343177	GB41633858	307	384
26 Gjennomføringshylse krom (for slange med G1/2xG3/8 ansl) 2010 05-	4342732	GB41638374 01	211	264
27 Forhøyningsdel 50mm	4340715	GB41632834	909	1.136
28 Avstengningskran komplett 1998 08-	4343188	GB41635762 3301	213	266
29 Tilkoblingsvinkel til benkoppvaskmaskin	4343189	GB41635790 01	634	793
30 Sokkel for benkøkbatteri	4343218	GB41632952	69	80
31 X-ring for utløpstut	4343213	GB41633971 02	64	80
32 Monteringsdetaljer (kjøkkenbatterier)	4340713	GB41634157	76	95
33 Monteringsverktøy 13/6kant.	4343341	GB43000014 10	206	258
Monteringsverktøysett	4343369	GB43000021 01	465	581
34 Utløpstut Nautic		GB41638474 01	456	570





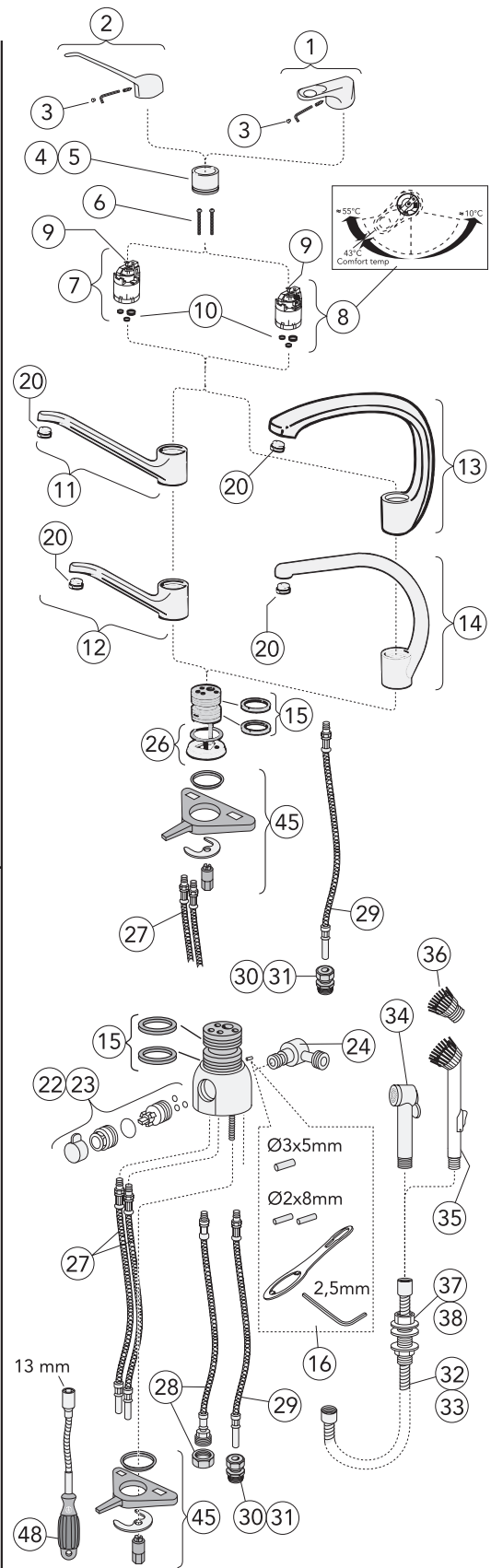
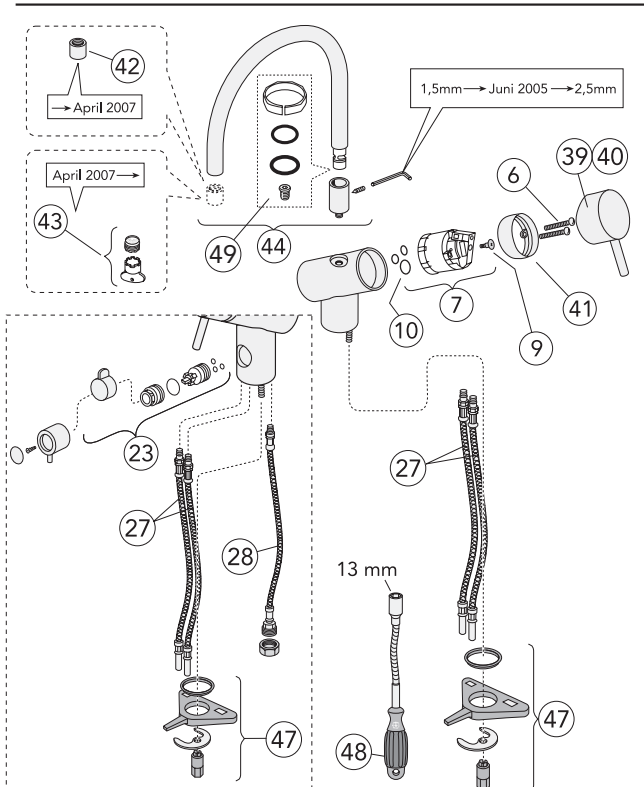
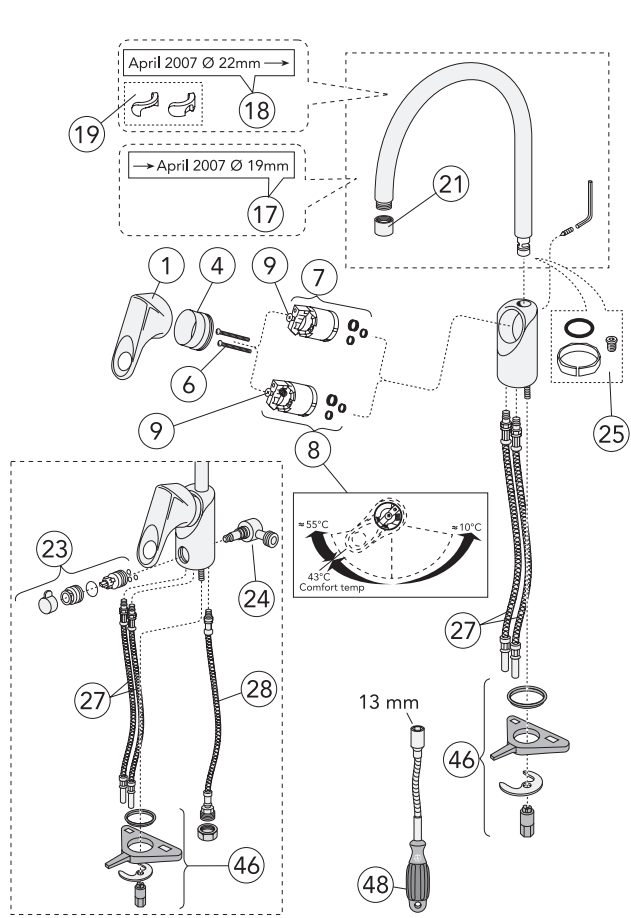
Reservevedeler - Atlantic kjøkkenkran år 2018 -

DETALJENUMMER OG PRODUKT	NRF. NR.	ART. NR.	VEIL. PRIS EKS. MVA.	VEIL. PRIS INKL. MVA.
1 Ettgrepspak Atlantic		GB41639541 01	289	362
2 Kappe		GB41639523 01	146	183
3 Mutter - servicepatron		GB41639522 01	117	146
4 Servicepatron 35 mm		GB41637393	223	279
5 Servicepatron 35 mm, energispar		GB41639567 01	298	373
6 Strålesamler/perlator M22x1		GB41630129 01	106	133
7 Strålesamler/perlator M22x1, 1,2 gpm		GB41639610 01	171	214
8 Slagbegrensningsinnsats/utløpstut		GB41638450	115	144
9 O-ringsats		GB41637010 01	134	168
10 Avstegnings-oppvaskmaskin		GB41639547 01	214	268
11 Plugg benkeoppvaskmaskin komplett		GB41639525 01	634	793
12 SoftPex slang roterbar-ø10, 2014 05-		GB41638721 02	211	264
13 SoftPex slang, roterbar - G1/2 utv. med mutter		GB41638701 01	185	231
14 Monteringskit - kjøkkenkran		GB41639573 01	76	95
15 Utløpstut Atlantic		GB41639540 01	457	571
16 Regulator el, oppvaskmaskinavstenging		GB41639707 01	120	150
17 Kabel for el, oppvaskmaskinavstenging		GB41369678 01	120	150
18 Konsoll for el, oppvaskmaskinavstenging		GB41639681 01	120	150
19 Avstengingsventil for el		GB41639680 01	120	150
21 Strømadapter 220V for el, oppvaskmaskinavstenging		GB41639683 01	120	150
22 Ekstra sensor		FG0901201	524	655
23 Hovedenhet for duo		GB41639686 01	120	150
24 Avstengingsventil for duo		GB41639690 01	120	150
25 Strømadapter 220V for duo		GB41639688 01	120	150
26 Regulator for duo		GB41369685 01	120	150



RESERVEDELER

DETALJENUMMER OG PRODUKT	NRF. NR.	ART. NR.	VEIL. PRIS EKS. MVA.	VEIL. PRIS INKL. MVA.
1 Ettgrepsspak Logic	4342766	GB41638514 01	306	383
2 Dekkplugg	4342661	GB41634828 01	132	165
3 Servicepatron med verktøy for Logic og Nautic	4343367	GB41637267 01	512	640
4 Kåpe	4342753	GB41637261 01	145	181
5 Utløpstut (UTÅENDE, RESTLAGER)		GB41638509 01	1.022	1.278
6 Strålesamler, M18, 5 x 1-B m/verktøy	4342767	GB41638549 01	106	133
7 O-ringsett	4342659	GB41637010 01	134	168
8 Sperrestift for svingradius	4342716	GB41638450	115	144
9 Avstengningskran komplett f/kjøkkenbatteri	4343188	GB41635762 3301	213	266
10 SoftPex slange (M10x1-ø10)	4342633	GB41637161 02	213	266
11 SoftPex slange (M10x1-G1/2))	4342768	GB41638220 01	150	188
SoftPex slange (NY - mangler pris)(svivel)(2015-), kompositt innmatt		GB41638721 02	211	264
12 Monteringsdetaljer	4340713	GB41634157 01	76	95
13 Monteringsverktøy	4343341	GB43000014 10	206	258
Monteringsverktøysett	4343369	GB43000021 01	465	581
15 Dusjhåndtak		GB41638754 01	855	1.069





Reservedeler - Nordic, Skandic, ND40 kjøkkenkraner

DETALJENUMMER OG PRODUKT	NRF. NR.	ART. NR.	VEIL. PRIS EKS. MVA.	VEIL. PRIS INKL. MVA.
1 Ettgrepsspak Nordic	4343347	GB41636617 01	213	266
2 Ettgrepsspak RH Nordic	4342991	GB41635430 01	416	520
3 Dekkplugg, rød/blå merking	4342661	GB41634828 01	132	165
4 Kåpe gjenget	4343166	GB41634470 01	145	181
5 Kåpe med O-ring	4343126	GB41636326 01	150	188
6 Festeskruer for servicepatron M5x40	4343216	GB41632731 02	60	75
7 Servicepatron inkl. topplokk 634955-01, Universal	4343196	GB41633877 01	609	761
8 Servicepatron Nordic TT-funksjon	4343059	GB41635678 8701	593	741
9 Spakfeste TP 6-19		GB41636319	60	75
10 Gummipakning for servicepatron, komplett	4343211	GB41633513 01	77	96
11 Utløpstut 240	4343353	GB41636246 01	1.374	1.718
12 Utløpstut 150 (UTGÅTT)				
14 Utløpstut 200, ekstra høy svingbar tut f/benkebatteri	4342911	GB41634610	1.419	1.774
15 X-ringer	4343213	GB41633971 02	64	80
16 Slagbegrensningssats	4342754	GB41633972	60	75
18 Utløpstut 200 "ø22" 2007 04-	4342776	GB41637326 0	1.009	1.261
19 Slagbegrensningssats	4342716	GB41638450	115	144
20 Strålesamlere M24x1	4343241	GB41630131 01	106	133
21 Strålesamlere M22x1	4343242	GB41630129 01	106	133
22 Avstengningskran kompl.f/benkebatteri - før aug. 98 -1998 (UTGÅTT)				
23 Avstengningskran kompl.f/benkebatteri, krom 1998-	4343188	GB41635762 3301	213	266
24 Vridbar tilkl.vinkel f/oppvaskmaskin på benk 1998 08-	4343189	GB41635790 01	634	793
25 O-ringsett f/utløpstut NordicPlus fra 2005	4342659	GB41637010 01	134	168
26 Distansering, o-ring samt glidring	4343218	GB41632952 01	69	86
27 SoftPex slange, 2 stk. L=400 mm, (M10x1-ø10)	4342633	GB41637161 02	213	266
28 SoftPex slange (M10x1-G1/2), lengde 440 mm	4342768	GB41638220 01	150	188
29 SoftPex slange (M8x1-ø10), lengde 400 mm	4342771	GB41638199 01	150	188
30 Kopling 10xG1/2, -201005	5080093	FG032033520	25	31
31 Kopling 10xG3/8, 201005-	5080086	FG032033420	20	25
32 Dusjslange G1/2xG1/2, -2010 05	4343804	GB41636263 00	117	146
33 Dusjslange G1/2xG3/8, 2010 05-	4342731	GB41638375 01	168	210
34 Selvstengende hånddusj	4343121	GB41633860 33	653	816
35 Selvstengende oppvaskbørste	4343209	GB41633861 25	765	956
36 Oppvaskbørste (UTGÅENDE, RESTLAGER)				
38 Gjennomføringshylse krom (for slange med G1/2xG3/8 ansl) 2010 05-	4342732	GB41638374 01	211	264
39 Ettgrepsspak Pin Skandic 03 (UTGÅTT)				
40 Ettgrepsspak Leg Skandic 03	4346741	GB41636447 01	880	1.100
41 Kåpe	4342669	GB41635680 01	412	515
42 Strålesamlere -2007 05	4342675	GB41636437 01	431	539
43 Strålesamlere 2007 05-	4342676	GB41637337 01	431	539
44 Utløpstut (UTGÅENDE, RESTLAGER)		GB41636441 01	957	1.197
45 Monteringsdetaljer	4340713	GB41634157 01	76	95
46 Monteringsdetaljer		GB41637011 01	76	95
47 Monteringsdetaljer	4343175	GB41636440 01	76	95
48 Monteringsverktøy 13/6kant.	4343341	GB43000014 10	206	258
Monteringsverktøysett	4343369	GB43000021 01	465	581
Hånddusj for Skandic Island (UTGÅTT)				

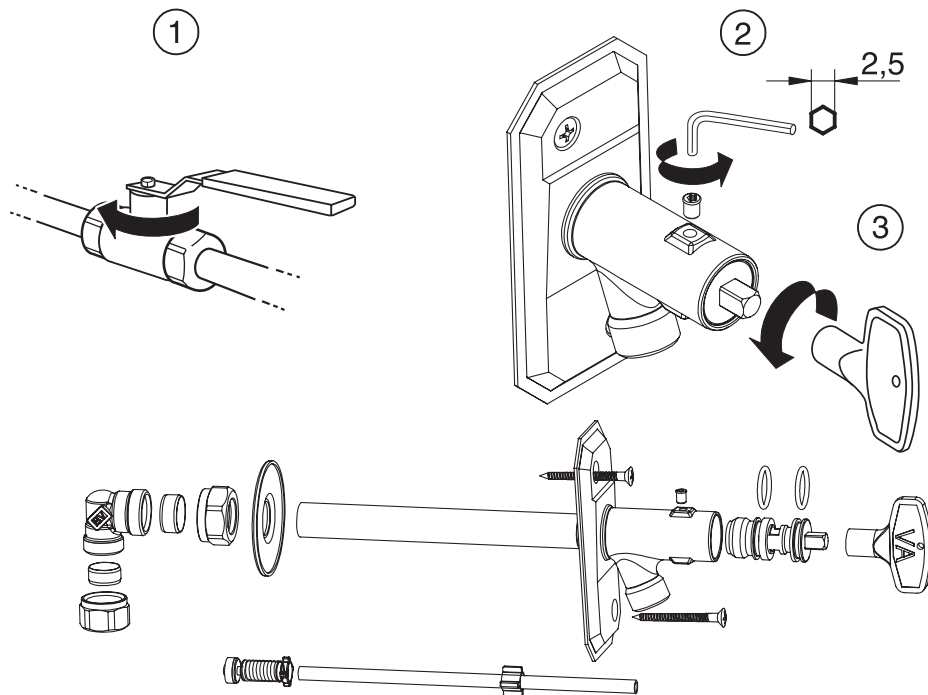


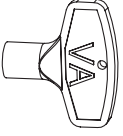
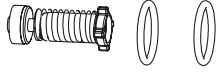
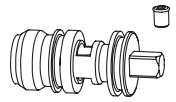
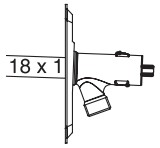

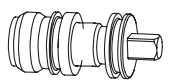
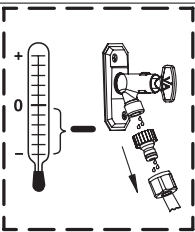
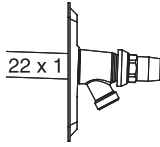
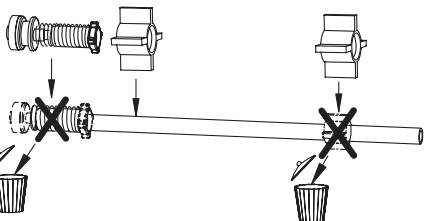
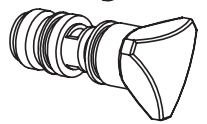


Reservevedeler - Oversikt ettgrepsspaker, dekkbrikker og servicepatroner

DETALJENUMMER OG PRODUKT	NRF. NR.	ART. NR.	VEIL. PRIS EKS. MVA.	VEIL. PRIS INKL. MVA.
1 Ettgrepsspak Logic	4342766	GB41638514 01	306	383
2 Ettgrepsspak Nautic	4343366	GB41637250	289	361
3 Ettgrepsspak HC Nautic	4342627	GB41637360 01	416	520
4 Ettgrepsspak HC Nautic (rød/blå merking)	4342735	GB41637363 01	431	539
5 Ettgrepsspak, servantbatteri Coloric	4342721	GB41637406	574	718
6 Ettgrepsspak Coloric kjøkken/dusj/badekar	4342722	GB41637407	513	641
7 Ettgrepsspak Nordic	4343347	GB41636617 01	213	266
8 Ettgrepsspak Leg Skandic 03 (UTGÅTT)				
9 Ettgrepsspak Pin Skandic 03	4342673	GB41636448 01	880	1.100
11 Ettgrepsspak Pin mini Skandic 03	4342683	GB41636920 01	790	988
12 Ettgrepsspak ND40	4343127	GB41636337 01	239	299
15 Ettgrepsspak Arctic (UTGÅENDE, RESTLAGER)	4343142	GB41634621 01	273	341
17 Ettgrepsspak HC Nordic	4342991	GB41635430 01	416	520
20 Dekkplugg for undermontert ettgrepsspak	4342661	GB41634828 01	132	165
21 Dekkplugg Nordic Plus	4343348	GB41635617 01	56	70
22 Topplukk (2 ben)	4343144	GB41634680 01	134	168
23 Topplukk (3 ben)		GB41634955 01	134	168
24 Topplukk Nordic oktober 1996-	4343154	GB41635410 01	67	84
25 Servicepatron m/verktøy f/Logic og Nautic	4343367	GB41637267 01	512	640
26 Servicepatron servant-/kjøkken Coloric	4342724	GB41637415	200	250
27 Servicepatron dusj/badekar Coloric	4342719	GB41637393	223	279
28 Servicepatron Nordic, 1982-	4343196	GB41633877 01	609	761
29 Servicepatron Nordic TT	4343059	GB41635678 8701	593	741
30 Servicepatron Nordic, m/ demper, April 1992-	4343161	GB41634650 01	536	670
32 Servicepatron komplett Nordic TT (UTGÅTT)				
33 Servicepatron Skandic 03 mini	4343358	GB41636654 01	653	816

RESERVEDELER

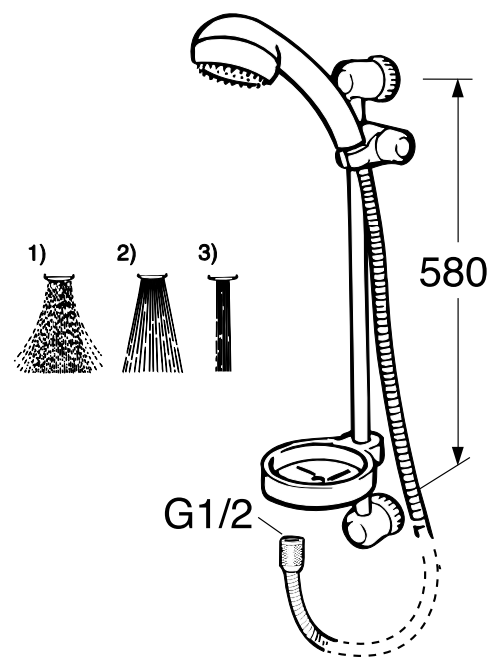
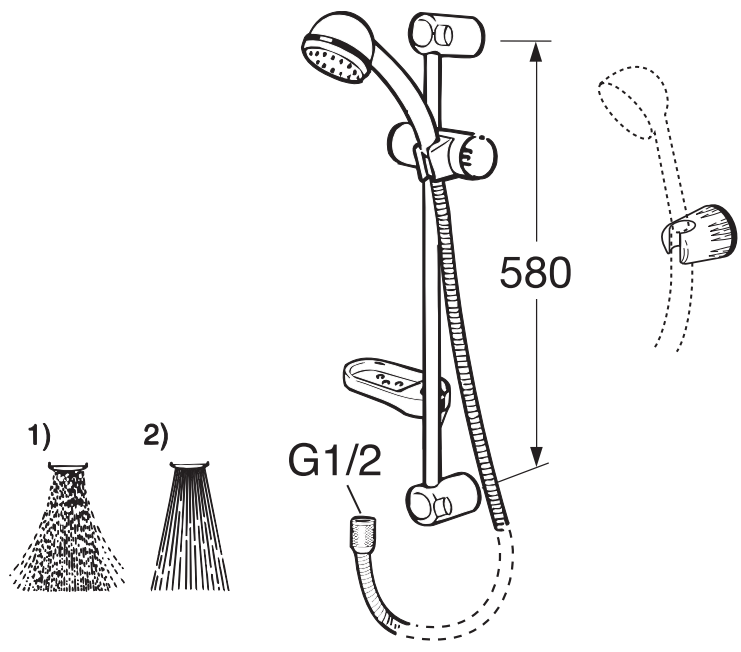


<p>FGO 64 05 60</p> 	<p>FGO 64 08 35</p> 	<p>FGO 64 08 36</p> 
<p>2003-</p>  <p>18 x 1</p>	<p>400mm: GB41 63 35 05 1000mm: GB41 63 35 06</p> 	<p>FGO 64 08 37</p>  
<p>1988 - 2003</p>  <p>22 x 1</p>		<p>FGO 64 08 41</p> 

RESERVEDELER



DETALJENUMMER OG PRODUKT	NRF. NR.	ART. NR.	VEIL. PRIS EKS. MVA.	VEIL. PRIS INKL. MVA.
Nøkkel 8 mm, fra 1977	4342969	FG0640560	76	95
Komplett overdel (for nøkkel) u/dren.	4343273	FG0640548	168	210
Reservevedelssett komplett (etter 1986)	4343286	GB41633510 01	127	159
Spindelforl. 400 mm (etter 1986)	4343271	GB41633505 01	298	373
Spindelforl. 1000 mm (etter 1986)	4343272	GB41633506 01	483	604
Komplett overdel m/drenering f/101015	4343275	FG0640782	337	421
Tilbakeslagsventil Ø14 mm(f.o.m aug. 1996)	4343336	GB41634719 01	71	89
Fjærbelastet tilbakeslagsventil, type	4343084	FG0640835	59	74
Komplett overdel m/drenering f/nøkkel, NY	4343085	FG0640836	337	421
Komplett overdel u/drenering f/nøkkel (UTGÅTT)				
Spindel med ratt 18 mm, krom	4342686	FG0640841	331	414



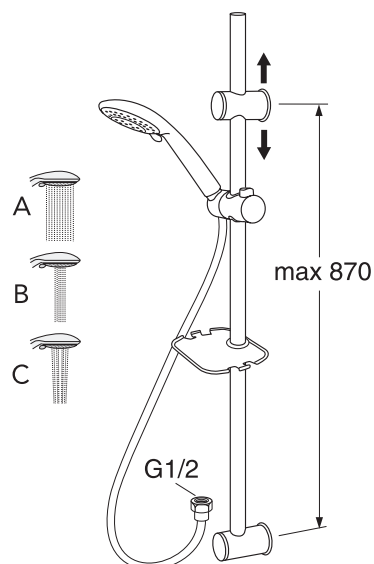
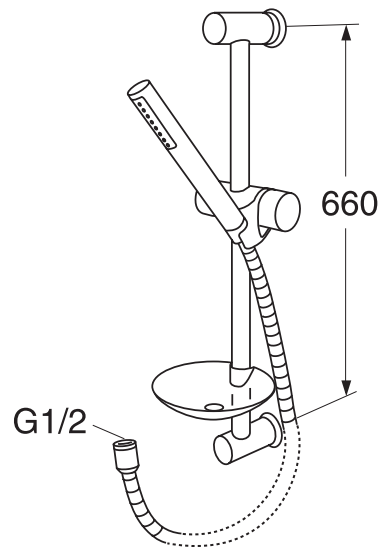
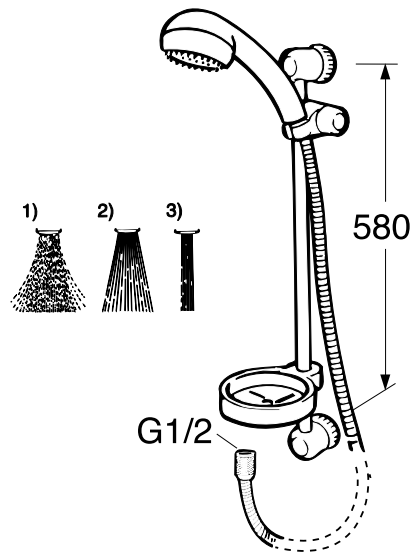


Nordic dusjsett

DETALJENUMMER OG PRODUKT	NRF. NR.	ART. NR.	VEIL. PRIS EKS. MVA.	VEIL. PRIS INKL. MVA.
Slange	4343811	GB41636266 00	168	210
Veggfeste, krom	4343801	GB41636254 00	173	216
Glider, krom	4343802	GB41636255 00	171	214
Hånddusj, krom	4343803	GB41636261 00	209	261
Hånddusjefeste vegg, krom	4340714	GB41637575	120	150
Såpekopp, transparent	43438 05	GB41636264 44	106	133

NordicPlus dusjgarnityr

DETALJENUMMER OG PRODUKT	NRF. NR.	ART. NR.	VEIL. PRIS EKS. MVA.	VEIL. PRIS INKL. MVA.
NordicPlus dusjgarnityr (UTGÅTT)				
Glider, krom	4343808	GB41636257 00	266	333
Hånddusj, krom	4343809	GB41636265 00	312	390
Slange 1,75 m, krom	4343811	GB41636266 00	168	210
Dusjomkaster f/dusjsett i off. miljø	4342734	GB41637320	761	951





Atlantic dusjgarnityr

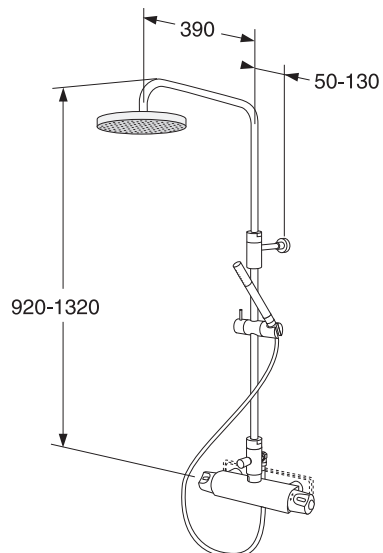
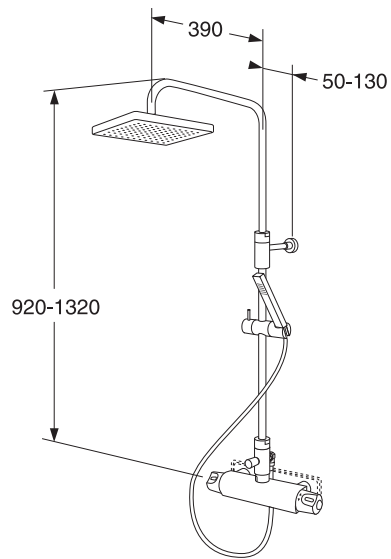
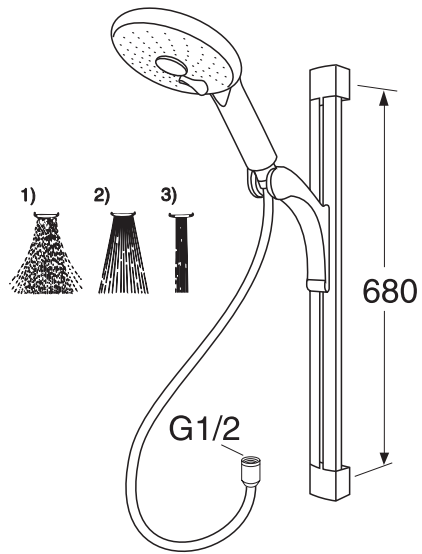
DETALJENUMMER OG PRODUKT	NRF. NR.	ART. NR.	VEIL. PRIS EKS. MVA.	VEIL. PRIS INKL. MVA.
Slange	4343811	GB41636266 00	168	210
Veggfeste	4342759	GB41638727 02	209	261
Såpekopp	4342761	GB41638728 01	201	251

Skandic 03 dusjgarnityr

DETALJENUMMER OG PRODUKT	NRF. NR.	ART. NR.	VEIL. PRIS EKS. MVA.	VEIL. PRIS INKL. MVA.
Hånddusj, krom	4342687	GB41636596 00	573	716
Såpekopp, transparent	4342688	GB41636597 44	142	178
Veggfeste, krom (2 stk) (UTGÅTT)				
Glider, krom	4342691	GB41636599 00	1.424	1.780

Dusjsett 1

DETALJENUMMER OG PRODUKT	NRF. NR.	ART. NR.	VEIL. PRIS EKS. MVA.	VEIL. PRIS INKL. MVA.
Hånddusj	4342757	GB41638725 01	312	390
Dusjslange	4343811	GB41636266 00	168	210
Veggfeste	4342759	GB41638727 02	209	261
Såpekopp	4342761	GB41638728 01	201	251
Glider	4342756	GB41638726 01	192	240





Reservedeler - Coloric dusjsett, G1 dusjsett og G2 dusjsett

Coloric dusjsett

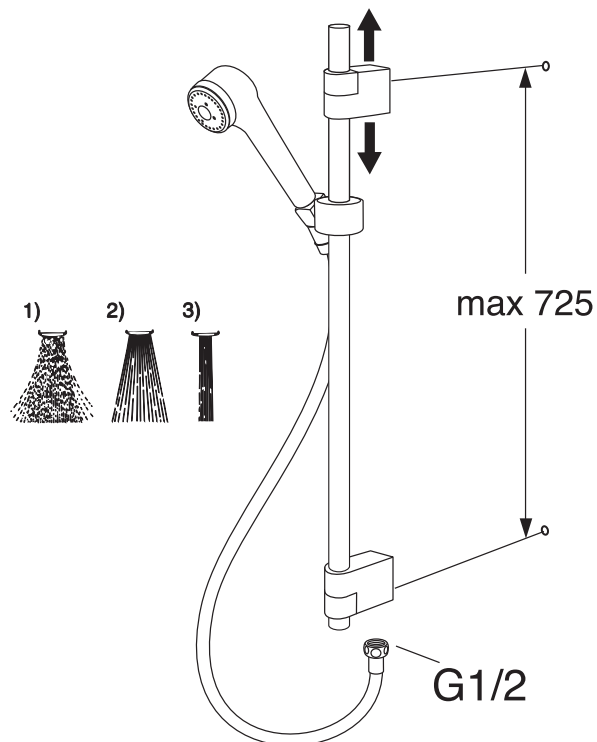
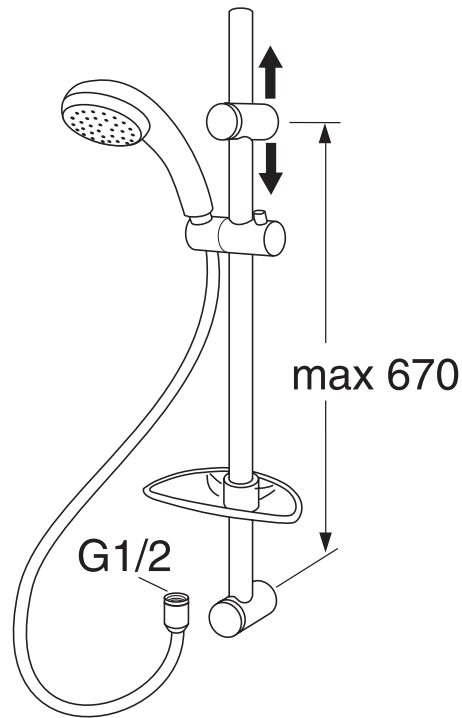
DETALJENUMMER OG PRODUKT	NRF. NR.	ART. NR.	VEIL. PRIS EKS. MVA.	VEIL. PRIS INKL. MVA.
Dusjslange	4343811	GB41636266 00	168	210
Hånddusj	4342762	GB41637562	609	761

G1 dusjsett

DETALJENUMMER OG PRODUKT	NRF. NR.	ART. NR.	VEIL. PRIS EKS. MVA.	VEIL. PRIS INKL. MVA.
Hånddusj G1	4342936	GB41638467	395	494
Slange G1/G2	4343811	GB41636266 00	168	210
Kit for sidemontering	4342933	GB41638464	426	533
Veggstag G1/G2	4342935	GB41638466	211	264
Omkaster	4342934	GB41638465	385	481
Glider G1/G2	4342941	GB41638472	173	216
Takdusch Square		GB41639443	978	1.223
Vinkel G1/G2		GB41637319	634	793
Pakninger G1/G2		GB41638589	59	74

G2 dusjsett

DETALJENUMMER OG PRODUKT	NRF. NR.	ART. NR.	VEIL. PRIS EKS. MVA.	VEIL. PRIS INKL. MVA.
Hånddusj G2	4342937	GB41638468	395	494
Slange G1/G2	4343811	GB41636266 00	168	210
Kit for sidemontering	4342933	GB41638464	426	533
Veggstag G1/G2	4342935	GB41638466	211	264
Omkaster	4342934	GB41638465	385	481
Glider G1/G2	4342941	GB41638472	173	216
Takdusch Round		GB41639440	395	494
Vinkel G1/G2		GB41637319	634	793



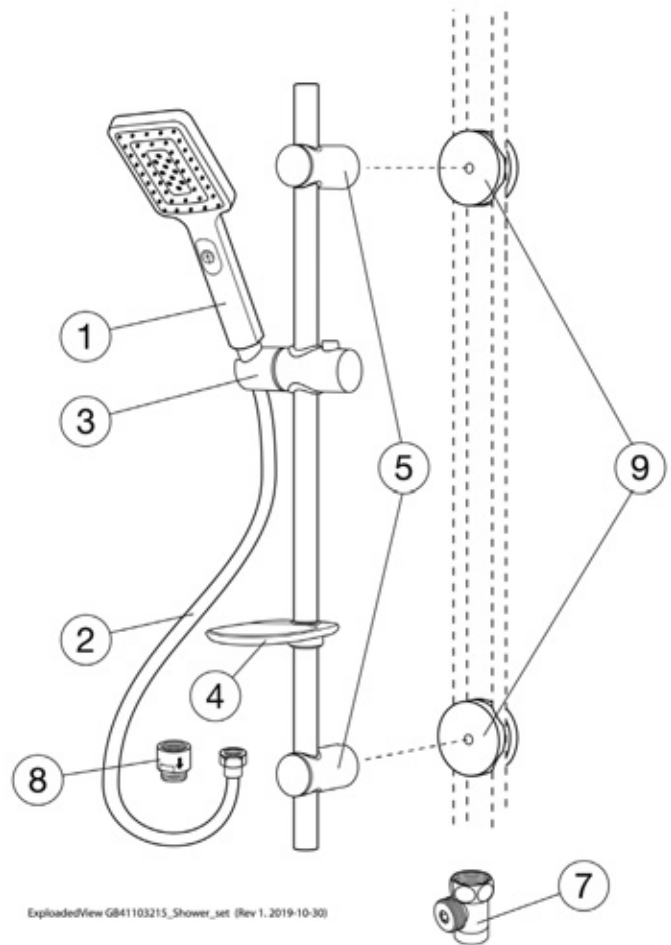
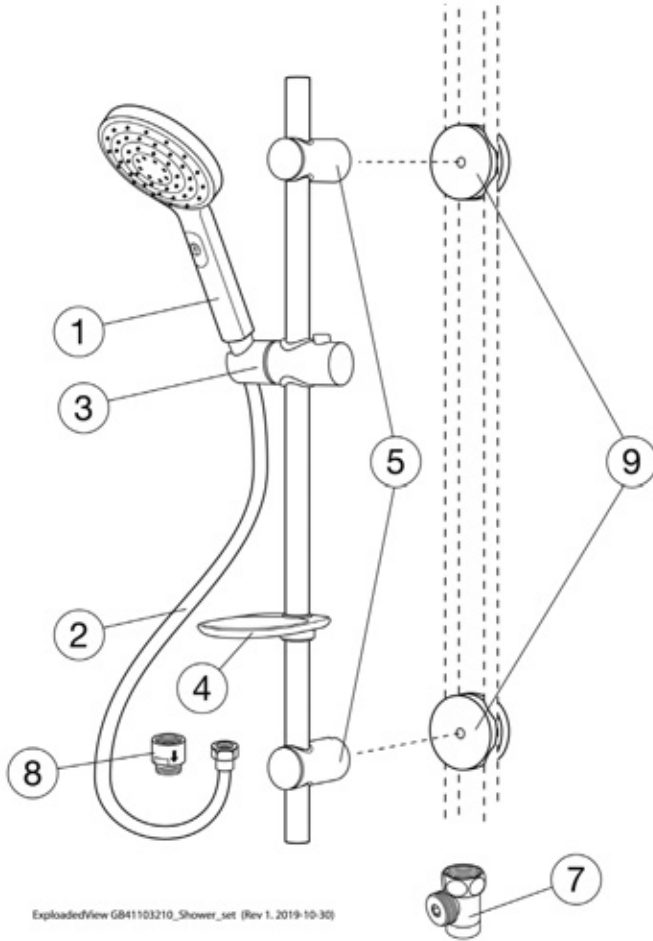


Nautic I dusjsett

DETALJENUMMER OG PRODUKT	NRF. NR.	ART. NR.	VEIL. PRIS EKS. MVA.	VEIL. PRIS INKL. MVA.
Hånddusj	4342757	GB41638725 01	312	390
Stang/glider/feste/såpekopp (UTGÅTT)				
Glider (UTGÅTT)				

Nautic II dusjsett

DETALJENUMMER OG PRODUKT	NRF. NR.	ART. NR.	VEIL. PRIS EKS. MVA.	VEIL. PRIS INKL. MVA.
Dusjslange (UTGÅTT)				
Hånddusj (UTGÅTT)				



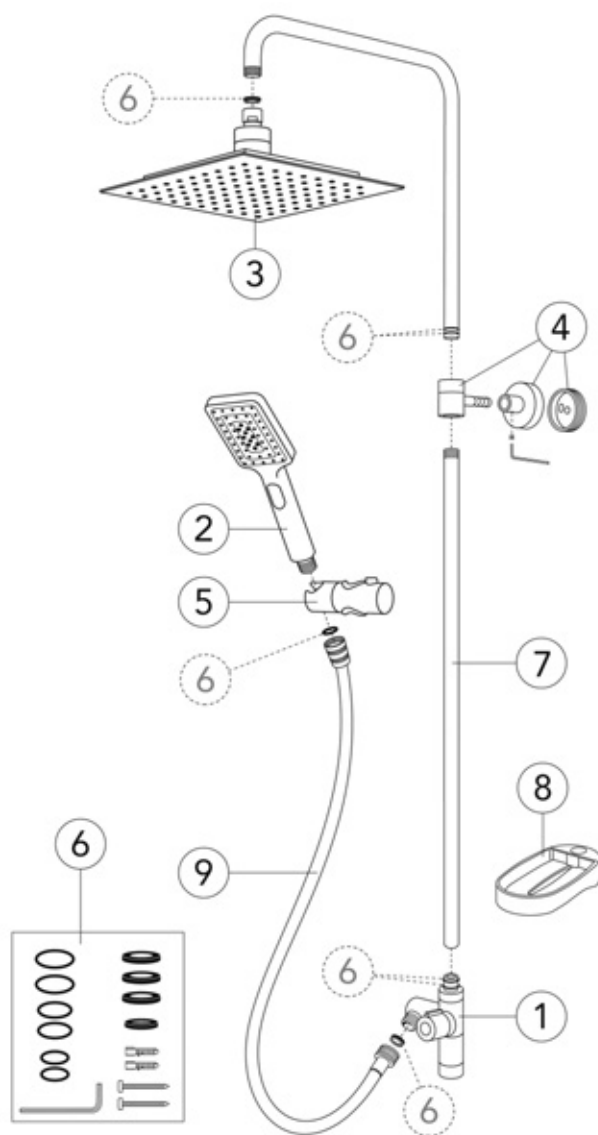
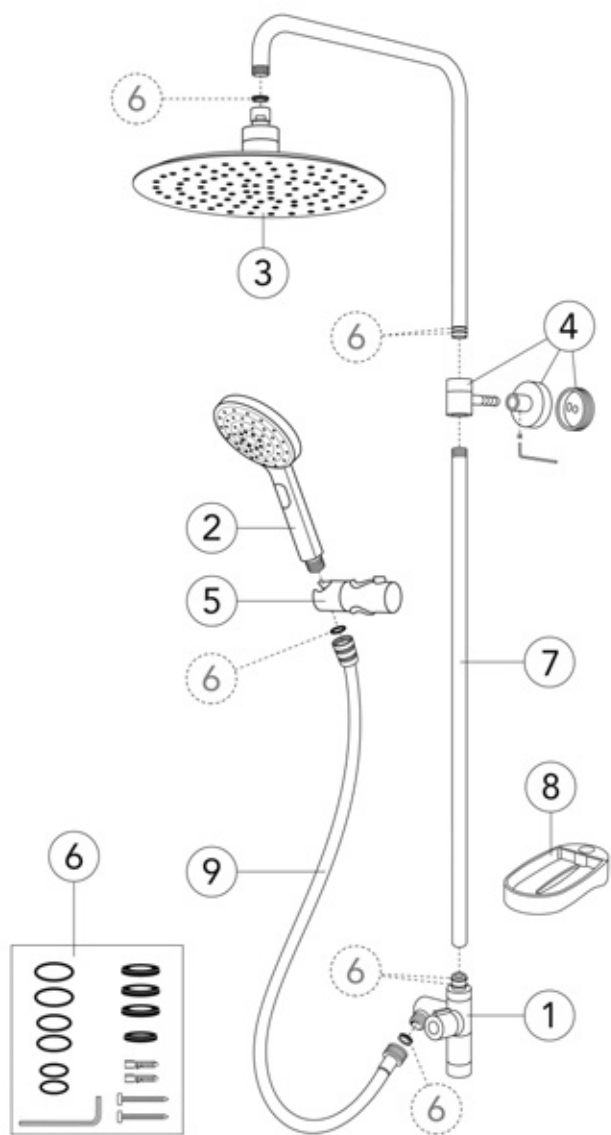


Round dusjsett

DETALJENUMMER OG PRODUKT	NRF. NR.	ART. NR.	VEIL. PRIS EKS. MVA.	VEIL. PRIS INKL. MVA.
1 Hånddusj Round	4342784	GB41639440	395	494
1 Hånddusj Round i matt sort		GB41639440 53	1.638	2.048
2 Dusjslange	4342758	GB41636266 00	168	210
2 Dusjslange i matt sort		GB41637572 53	275	344
3 Glider 22mm		GB41639445	262	328
3 Glider 22 mm i matt sort		GB41639445 53	371	464
4 Såpekopp		GB41639587 01	105	131
5 Veggfeste		GB41639588 01	101	126
7 Dreneringsventil Care		GB41638960 01	514	643
8 Tilbakeslagsventil		GB41634730	93	116
9 Feste for dusjsett		GB41637850 02	245	306

Square dusjsett

DETALJENUMMER OG PRODUKT	NRF. NR.	ART. NR.	VEIL. PRIS EKS. MVA.	VEIL. PRIS INKL. MVA.
1 Hånddusj Square	4342804	GB41639441	395	494
2 Dusjslange	4342758	GB41636266 00	168	210
3 Glider 22mm		GB41639445	262	328
4 Såpekopp		GB41639587 01	105	131
5 Veggfeste		GB41639588 01	101	126
7 Dreneringsventil Care		GB41638960 01	514	643
8 Tilbakeslagsventil		GB41634730	93	116
9 Feste for dusjsett		GB41637850 02	245	306

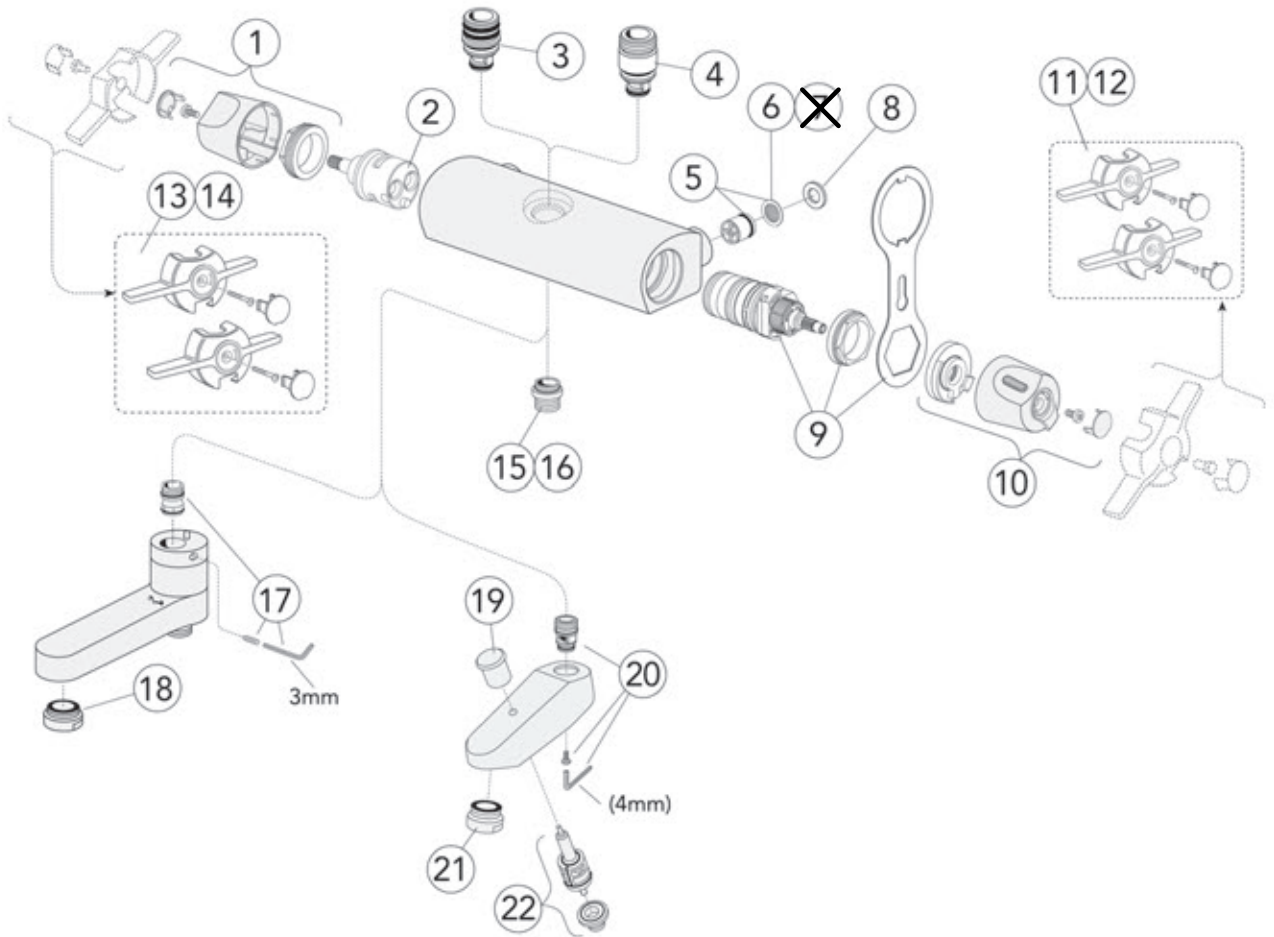


Round Takdusj

DETALJENUMMER OG PRODUKT	NRF. NR.	ART. NR.	VEIL. PRIS EKS. MVA.	VEIL. PRIS INKL. MVA.
1 Omkaster		GB41639439	226	283
2 Hånddusj Round	4342784	GB41639440	395	494
2 Hånddusj Round i matt sort		GB41639440 53	1.638	2.048
3 Takdusj Round		GB41639442	978	1.223
3 Takdusj Round i matt sort		GB41639442 53	1.969	2.461
4 Veggstang		GB41639444	217	271
4 Veggstang i matt sort		GB41639444 53	910	1.138
5 Glider 22mm		GB41639445	262	328
5 Glider 22mm i matt sort		GB41639445 53	371	464
6 Pakkningssats		GB41639446	89	111
7 Dusjstang forlenger 106cm		GB41639512	308	385
8 Såpekopp		GB41639513	105	131
9 Dusjslange	4343811	GB41636266 00	168	210
9 Dusjslange i matt sort		GB41637572 53	275	344
Vannstrømsparer G1/2" (12 l/min)		GB41639485	58	73

Square Takdusj

DETALJENUMMER OG PRODUKT	NRF. NR.	ART. NR.	VEIL. PRIS EKS. MVA.	VEIL. PRIS INKL. MVA.
1 Omkaster		GB41639439	226	283
2 Hånddusj Square		GB41639441	395	494
2 Hånddusj Square i matt sort		GB41639441 53	1.652	2.065
3 Takdusj Square		GB41639443	978	1.223
3 Takdusj Square i matt sort		GB41639443 53	2.315	2.894
4 Veggfeste		GB41639444	217	271
4 Veggfeste i matt sort		GB41639444 53	910	1.138
5 Glider 22 mm		GB41639445	262	328
5 Glider 22 mm i matt sort		GB41639445 53	371	464
6 Pakkningssats		GB41639446	89	111
7 Dusjstang forlenger 106cm		GB41639512	308	385
8 Såpekopp		GB41639513	105	131
9 Dusjslange	4343811	GB41636266 00	168	210
Dusjslange i matt sort		GB41637572 53	275	344
Vannstrømsparer G1/2" (12 l/min)		GB41639485	58	73





Termostat for Round og Square

DETALJENUMMER OG PRODUKT	NRF. NR.	ART. NR.	VEIL. PRIS EKS. MVA.	VEIL. PRIS INKL. MVA.
1 Ratt for mengdeside		GB41639456 01	132	165
2 Vender/Ventil overstykke		GB41639500 01	2.524	3.155
3 Utløpsnippel for Square / Round dusjsett		GB41639453 01	86	108
4 Utløpsnippel 1/2"		GB41639457 01	107	134
5 Tilbakeslagsventil med filter	4343096	GB41632698 02	168	210
6 Filter for tilbakeslagsventil	4343065	GB41635633 02	56	70
8 Pakning ø24,2-15,3x3 for anslutning 150 cc		GB41635641	20	25
9 Termostatinsats (CA77N)	4342726	GB41638334 01	468	585
10 Ratt for temperatursiden (CA77N)	4341957	GB41638336 01	59	74
11 HC-spak for mengde/temperatursiden, grå	4342637	GB41637840 02	212	265
12 HC-spak for mengde/temperatursiden, rød		GB41637845 02	67	84
15 Anslutningsnippel G1/2-M20x1,5	4341962	GB41634757 01	155	194
16 Anslutningsnippel med tilbakeslagsventil G1/2-M20x1,5	4343363	GB41634756 01	155	194
17 Anslutningsnippel for omkastere/utløpstut	4343362	GB41636359 01	59	74
18 Strålsamlere M24x1 D	4342717	GB41637387 01	365	456
19 Trekk knappen for draomkaster		GB41636822 01	50	63
20 Anslutningsnippel for utløpstut	4343368	GB41637347	155	194
21 Strålsamlere M28x1, krom	4343123	GB41634555 01	365	456
22 Draomkastere	4341963	GB41636577 01	286	358
23 Dusjtermostat for Nautic		GB41215302	2.415	3.019
24 Dusjtermostat for Nordic3		GB41215603	2.415	3.019
25 Dusjtermostat for Estetic		GB41218302	2.769	3.461
Dusjtermostat for Estetic sort matt		GB41218302 53	4.977	6.221
Dekkresett i sort matt	4342812	GB41639921 02	89	111

RETNINGSLINJER FOR KUNDEREKLAMASJONER VILLEROY & BOCH NORGE AS

Av det nedenstående vil det fremgå hvilke retningslinjer som skal følges ved ulike reklamasjoner. Vi ber Dem spesielt påse at ingen varer returneres til Villeroy & Boch Norge AS før selskapet har avgitt sin uttalelse. På denne måten vil reklamasjonen få hurtigere og smidigere behandling.

A. Feil eller uoverensstemmelser som er oppstått i forbindelse med fakturering eller ekspedert kvantum.

Definisjon:

Kjøperen har mottatt riktig type varer, men feil er oppstått i faktureringen (f.eks. pris, avgift, utregning etc.) eller det mottatte kvantum stemmer ikke med pakkseddel/faktura.

Behandling:

Kjøperen må underrette Villeroy & Boch Norge AS om feilen. Villeroy & Boch Norge AS vil så raskt som mulig, foreta de nødvendige korrigeringer av fakturaen/levert kvantum. Kontakt Villeroy & Boch Norge AS ordrekontor.

B. Mottagelse av feil type vare.

Definisjon:

Det foreligger ikke noe kvalitetsproblem, men feil type varer er mottatt av kjøperen.

Alternativ kan være at:

1. Ordrebekreftelse ikke er kontrollert mot bestilling og avvik/feil har oppstått.
2. Kjøperen har bestilt feil vare
3. Villeroy & Boch Norge AS har levert feil type vare.

Behandling:

1. Dersom ordrebekreftelse ikke er kontrollert mot bestilling:
Ordrebekreftelse fra Villeroy & Boch Norge AS må umiddelbart kontrolleres mot bestilling slik at evt. avvik/feil kan bli korrigert. Hvis så ikke blir gjort og feil oppstår, må dette anses som feilbestilt og det vil bli fratrukket 40% i evt. returomkostninger.
2. Dersom Kjøperen har bestilt feil type varer:
 - a) Returanmodning må innkomme til Villeroy & Boch Norge AS innen 20 dager etter mottagelsen av varene.
 - b) Retur godkjennes kun for standard lagervare som normalt føres av Villeroy & Boch Norge AS. Kun komplette varer kan godkjennes. En vare som er spesialtilvirket for en kjøper eller som av andre grunner ikke kan betraktes som standard lagervare, godkjennes normalt ikke for retur. Kvalitetsreklamasjoner er unntatt fra denne regel.



RETNINGSLINJER FOR KUNDEREKLAMASJONER VILLEROY & BOCH NORGE AS

- c) Varene må være innpakket i originalemballasjen og være tilgjengelig for eventuell inspeksjon. Bare fullt salgbare varer godkjennes for retur.
 - d) Hvis varene godkjennes for retur, må kjøperen returnere varene innen 10 dager etter at han har mottatt godkjennelse på retur.
 - e) Retur av varer kan kun finne sted når godkjennelse fra Villeroy & Boch Norge AS foreligger. Returomkostninger fratrekkes med 40% i kreditnota. Fraktomkostninger belastes kjøper.
3. Villeroy & Boch Norge AS har levert feil type varer:
- a) Kjøperen må sende meddelelse om feilen innen 15 dager etter mottagelsen av varene.
 - b) Varene må være pakket i original emballasje, og være i salgbar stand.
 - c) Vi ber om at retur av varen ikke skjer før svar fra Villeroy & Boch Norge AS foreligger. Kontakt Villeroy & Boch Norge AS' ordrekontor.

NB! Returpapirer skal alltid inneholde riktig NRF-nr./art.nr., kundens bestillingsnummer, kundens og Villeroy & Boch Norge AS' returnr. samt årsak til retur. Dette er viktig.

Hvis returpapirer mangler noen av disse opplysningene, blir varen returnert til kundens adresse på dennes transportregning uten forvarsel.

C. Mottagelse av beskadigede varer.

Definisjon:

Ved mottagelse av varene oppdager kjøperen at disse er beskadiget.

1. NB! Når det gjelder transportskade forårsaket av vår transportør, skal fraktbrev med under skrift av sjåfør på bil der varen ble skadet alltid følge med som vedlegg til krav om erstatning eller kreditt, samt kundens bestillingsnummer.
2. Meddelelse om skaden blir sendt straks etter mottagelse av varene. Reklamasjoner som blir inngitt mer enn 15 dager etter levering, kan under ingen omstendigheter aksepteres.
3. Beskadigede varer inklusive emballasje må være tilgjengelig for destruksjon av representant fra Villeroy & Boch Norge AS.
4. Varene kan ikke returneres eller kasseres før godkjennelse er innhentet fra Villeroy & Boch Norge AS.



RETNINGSLINJER FOR KUNDEREKLAMASJONER VILLEROY & BOCH NORGE AS

D. Kvalitetsreklamasjoner.

Definisjon:

Kjøperen meddeler Villeroy & Boch Norge AS at han har kvalitetsproblemer med et produkt.

Behandling:

Kjøperen må umiddelbart underrette Villeroy & Boch Norge AS om kvalitetsproblemene.

Reklamasjonen må i alle tilfelle tydelig spesifisere mangelens art og omfang. Det må også oppgis for hvilket formål produktet er anskaffet. En prøve på produktet som er gjenstand for klage - skal om mulig medfølge den skriftlige reklamasjonen. Kjøperen må heller ikke i dette tilfellet returnere eller kassere varer før Villeroy & Boch Norge AS har gitt instruks om dette. Når en teknisk analyse av det defekte produktet er nødvendig, må denne utføres av en kvalifisert person. I enkelte tilfelle vil dette si at produktet må oversendes Villeroy & Boch Norge AS. NB! Gustavsberg (Vårgårda) og Dornbracht-armaturprodukter skal alltid returneres Villeroy & Boch Norge AS.

Villeroy & Boch Norge AS vil bestrebe seg på å behandle reklamasjoner så raskt som mulig. Hvis reklamasjonen godkjennes, vil Villeroy & Boch Norge AS kreditere kjøperen for det returnerte kvantum til opprinnelig verdi. Vi ber Dem spesielt legge merke til at Villeroy & Boch Norge AS kun forplikter seg til å erstatte det kvantum som har vist seg beheftet med feil. Villeroy & Boch Norge AS er ikke ansvarlig for noen som helst beskadigelse, tap eller skade, direkte eller indirekte, som følge av feil bruk av produktet.

NB!

Ved reklamasjon som skyldes produktfeil og mangler påført av Villeroy & Boch Norge AS, vennligst ta kontakt med serviceansvarlig hos Villeroy & Boch Norge AS, pr. telefon 67 97 82 50 eller 67 97 82 55 (direkte), pr. e-post dagfinn.braathen@gustavsberg.com eller pr. telefaks 67 97 16 57, eller distriktsrepresentant.

Faktura for utført reklamasjonsarbeid/produktreklamasjon på et Gustavsberg/Villeroy & Boch-produkt skal være merket med et nummer oppgitt av serviceansvarlig hos Villeroy & Boch Norge AS, samt kundens returnnummer.

NB!

Arbeid som skal gjøres ved reklamasjon må alltid godkjennes av serviceansvarlig i Villeroy & Boch Norge AS, Dagfinn Bråthen tlf.: 67 97 82 55/419 26 549.

E-post: dagfinn.braathen@gustavsberg.com. Eller distrikstansvarlig.

Det utarbeides en CRM på arbeidet som sendes til den som utfører arbeidet.

Kopi av CRM legges ved arbeids

SMARTE SYMBOLER FOR SMARTE LØSNINGER

STILLE PÅFYLLING OG TØRT



DEN HELEDEKKEDE SISTERNEN SKJULER EN SEPARAT INNERTANK. DETTE VIRKER LYDEMPENDE OG FORHINDRER KONDENS. "SÅ STØV IKKE FÅR FESTE".

INGEN SMUSSFELLER



PÅ ALLE NAUTIC KLOSETTER MED SYNLIG SISTERNE ER SKJØTEN MELLOM SKÅL OG SISTERNE FLYTTET OPP. DEN GLATTE PORSELENSKAPPEN HINDRER AT SMUSS SAMLER SEG OG LETER RENGJØRINGEN.

CERAMICPLUS = C+



MANGE AV PRODUKTENE VÅRE KAN LEVERES MED OVERFLATEBEHANDLINGEN C+. DEN GIR PORSELENET EN SMUSSAVVISENDE OVERFLATE SOM HINDRER KALK OG SMUSS I Å FESTE SEG. C+ ER OGSÅ BRA FOR MILJØET, ETtersom DEN GJØR AT DU KLARER DEG MED MINDRE OG MILDERE VASKEMIDDEL VED RENGJØRING.

QUICK RELEASE



MED QUICK RELEASE KAN DU LØFTE AV TOALETSETET MED ET ENKELT HÅNDRØR. UTEN Å MÅTTE BRUKE VERKTØY. DERMED KAN DU RENGJØRE SETET OG KLOSETTET HVER FOR SEG. NOE SOM ER BÅDE ENKLERE OG MER HYGIENISK.

SOFT CLOSE



HARDE, EKSKLUSIVE TOALETSETER HAR TIDLIGERE VÆRT FORBUNDET MED HØYT LYDNIVÅ NÅR DE LEGGES NED. SOFT CLOSE-FUNKSJONEN HAR LØST DETTE PROBLEMET VED HJELP AV EN DEMPER SOM ER INNEBYGD I SETET OG GJØR AT DET LEGGES NED MYKT OG LYDLØST. DEMPEREN HAR INGEN DIREKTE KONTAKT MED PORSELENET, NOE SOM GJØR RENGJØRINGEN ENKLERE OG SETET MER HYGIENISK.

HYGIENIC FLUSH



SMARTERE SPYLING SOM GIR BEDRE HYGIENE OG FORENKLER RENHOLDET. DET INNOVATIVE DESIGNET MED ÅPEN SPYLEKANT OG GLATTE OVERFLATER, ELIMINERER ALLE EVENTUELLE SMUSSFELLER. HYGIENIC FLUSH MINIMERER BEHOVET FOR STERKE RENGJØRINGSMIDLER.

2/4 LITERS SPYLING



NOEN AV VÅRE KLOSETTER KAN BESTILLES MED LAV SPYLEKNAPP SOM ER INNSTILT PÅ EN LAVERE SPYLEMENGDE, 2/4 LITER. DETTE SPARER BÅDE VANN OG MILJØ.

M.O.D. / URINERINGSAVSTAND



KLOSETTETS FREMRE KANT ER SPESIELT UTFORMET FOR Å GI EKSTRA AVSTAND VED SITTENDE URINERING. DEN ØKTE AVSTANDEN HINDRER SØL OG UHYGIENISK BERØRING AV PORSELENET. SMART PRODUKTUTVIKLING SOM GIR BEDRE HYGIENE OG ØKT KOMFORT.

M.O.D. = MALE ORGAN DISTANCE

VIPP-IN



UNDERKANTEN PÅ DUSJHJØRNET, DER DØREN MØTER GULVPROFILIEN, ER VANLIGVIS VANSKELIG Å HOLDE REN. MED VIPP-IN-FUNKSJONEN ER DET ENKELT Å LØSNE DUSJDØRENE FRA GULVPROFILIEN FOR MER EFFEKTIV RENGJØRING OG BEDRE HYGIENE.

HENGSLER MED HEVE- OG SENKEMEKANISME



HENGSLER MED HEVE- OG SENKEMEKANISME ER EN SMART DETALJ SOM HEVER DUSJDØREN 5 MM HVER GANG DU ÅPNER OG LUKKER DEN. DERMED REDUSERES SLITASJE PÅ GULV OG DUSJDØRER TIL ET MINIMUM. EN PRAKTISK FUNKSJON SOM GIR EN EKSKLUSIV, LUKSURIØS FØLELSE.

CLEAR GLASS



DUSJVEGGER UTSETTES STADIG FOR VANN, SÅPE, OLJER, SJAMPO OG KALK. DERFOR ER ALLE DUSJENE FRA GUSTAVSBERG UTSTYRT MED CLEAR GLASS, EN BESKYTTENDE OVERFLATE SOM FORENKLER RENGJØRINGEN OG REDUSERER BEHOVET FOR VASKEMIDLER.

MØBLER MED SOFT CLOSE



AKUSTIKKEN PÅ ET BADEROM KAN FØRE TIL PLUTSELIGE, HØYE LYDER OPPLEVES SOM SÆRLIG FORSTYRENDE. MED SOFT CLOSE STENGES SKAPDØRER OG SKUFFER MYKT OG LYDLØST.

ECO-TAP / ENERGISPARING



EN REVOLUSJONERENDE ENERGIBESPARENDE FUNKSJON SOM KAN REDUSERE FORBRUKET MED 50 PROSENT. DEN ENKLE LØSNINGEN LIGGER I AT SPAKEN AKTIVT MÅ FØRES HELT UT TIL VENSTRE FOR AT VANNET SKAL OPPNÅ MAKSIMUMSTEMPERATUR. NÅR DU SLIPPER SPAKEN, GÅR DEN TILBAKE TIL DET FORHÅNDSINNSTILTE KOMFORTTRINNET MED EN TEMPERATUR PÅ OMKRING 38 TIL 40 GRADER. KOMFORTTEMPERATUREN ER FULLSTENDIG REGULERBAR FOR INDIVIDUELL TILPASNING.

ECO-TAP / VANNSPARING



BLANDEBATTERIET HJELPER DEG Å UNNGÅ Å BRUKE MER VANN ENN NØDVENDIG. NORMALSTILLINGEN GIR EN FORHÅNDSINNSTILT KOMFORTGJENNOMSTRØMNING SOM ER TILSTREKkelig TIL FOR EKSEMPEL OPPVASK OG VASK AV HENDER. FULL VANNGJENNOMSTRØMNING OPPNÅS VED Å LØFTE SPAKEN TIL DEN ØVERSTE STILLINGEN. NÅR DU SLIPPER SPAKEN, GÅR DEN AUTOMATISK TILBAKE TIL KOMFORTGJENNOMSTRØMNINGEN. FUNKSJONEN FOR GJENNOMSTRØMNING ER FULLSTENDIG REGULERBAR FOR INDIVIDUELL TILPASNING.

ECO-START



ET ENERGIBESPARENDE BLANDEBATTERI SOM STARTER PÅ EN TEMPERATUR PÅ 17 GRADER I NORMALSTILLING (SPAKEN RETT FREM). NOE SOM GJØR AT DU SPARER BÅDE ENERGI OG PENGER.

BERØRINGSFRITT BLANDEBATTERI



DEN SMARTE SENSORTEKNOLOGIEN HJELPER DEG Å SPARE VANN OG ENERGI HELT AUTOMATISK. BLANDEBATTERIET ÅPNER AUTOMATISK NÅR DU HOLDER HENDENE I RIKTIG POSISJON, OG STENGES SÅ SNART DU FJERNER DEM. VED RENGJØRING HOLDER DU FOR FØLERØYET, SÅ DEAKTIVERES BLANDEBATTERIET MIDLERTIDIG. DRIVES AV STANDARD-BATTERI ELLER TRANSFORMATOR.

JEVNT TRYKK



TERMOSTATBATTERIENE HAR INNEBYGD AUTOMATISK SKÅLDINGSBESKYTTELSE OG TEMPERATURFØLER SAMT TYPEGODKJENT TILBAKELAGSVENTILER. DERFOR REAGERER DE RASKT PÅ DE TRYKK- OG TEMPERATURFORANDRINGENE SOM KAN OPPSTÅ I VANNET, OG JEVNER DEM UT.

ANTIBAKTERIELL FARGE



ALLE FARGELAKKERTE SPAKER OG VRIDERE PÅ BLANDEBATTERIENE I LOGIC-SERIEN HAR EN ANTIBAKTERIELL OVERFLATEBEHANDLING SOM MOTVIRKER SPREDNING AV BAKTERIER (FEKS. PNEUMOKOKKER OG MULTIRESISTENTE BAKTERIER), VIRUS OG SOPP. OVERFLATEBEHANDLINGEN HAR EN LANGVARIG OG DOKUMENTERT EFFEKT PÅ MINST FEM ÅR.

SELVREPARERENDE FARGE



MINDRE RIPER SOM OPPSTÅR PÅ FARGELAKKERTE SPAKER OG VRIDERE PÅ BLANDEBATTERIENE I LOGIC-SERIEN, FORSVINNER AV SEG SELV TAKKET VÆRE DE UNIKE, SELVREPARERENDE EGENSKAPENE. DEN LAKKERTE OVERFLATEBEHANDLINGEN GIR BLANDEBATTERIET LENGRE LEVETID OG REDUSERER RISIKOEN FOR SPREDNING AV BAKTERIER.

SAFE TOUCH



SAMTLIGE TERMOSTATBATTERIER FRA GUSTAVSBERG HAR EN SAFE TOUCH FUNKSJON. DETTE INNEBÆRER AT BLANDEBATTERIENE ER KONSTRUERT SÅ VARMVANNET LEDES LANGS BLANDEBATTERIETS BAKSIDE. DETTE MINIMERER VARMEN PÅ TERMOSTATENS FRAMSIDE, OG MINSKER RISIKOEN FOR Å BRENNE SEG.

BLYFRITT



BLANDEBATTERIENE ER PRODUSERT I ET MATERIALE SOM GIR MINDRE ENN 0.1% BLY AV TOTALVEKTEN. MILJØSMARTE BLANDEBATTERIER SOM OPPFYLLER TØFFE KRAV NÅR DET GJELDER FOREKOMSTEN AV BLY. BLANDEBATTERIENE ER DISKRET LASERMERKET MED SYMBOLET PÅ BAKSIDEN FOR SPORBARHET.

GLAZEPLUS



BADEKARENE VÅRE KAN LEVERES MED EN EKSTRA OVERFLATEBEHANDLING SOM VI KALLER GLAZEPLUS, EN KRYSTALLKLAR POLYMERFILM SOM BESKYTTER OVERFLATEN PÅ BADEKARET MOT SMUSS OG KALKAVLEIRINGER. NOE SOM FORENKLER RENGJØRINGEN OG REDUSERER BEHOVET FOR VASKEMIDLER.

ANTISKLI



BADEKARET KAN LEVERES MED EN ANTISKLIBEHANDLING DER KVARTSAND ER BRENT INN I EMALJEN I ET ESTETISK, NØYTRALT MØNSTER. OVERFLATEN REDUSERER RISIKOEN FOR FALLULYKKER VED INN- OG UTSTIGNING. DEN ER Plassert I FOTENDEN AV BADEKARET, SLIK AT BADEOPPLEVelsen IKKE PÅVIRKES NEGATIVT.

STØTTEHÅNDTAK



BADEKARET KAN BESTILLES MED EGNE STØTTEHÅNDTAK PÅ BADEKARKANTEN, SOM FORENKLER OG ØKER SIKKERHETEN VED INN- OG UTSTIGNING.







A MEMBER OF THE
VILLEROY & BOCH GROUP

Villeroy & Boch Norge A/S
Luhrtoppen 2, 1470 Lørenskog
Tlf. 67 97 82 50 · Faks 67 97 16 57
www.gustavsberg.no · norway.info@villeroy-boch.com