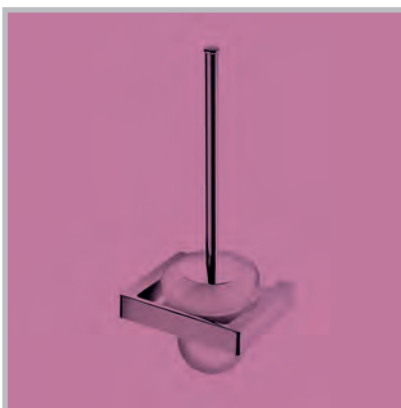




PRISLISTE GUSTAVSBERG 2019



SANITÆRPORSELEN, TILBEHØR, BADEROMSMØBLER, BADEKAR, DUSJ,
BLANDEBATTERIER OG RESERVEDELER. VEILEDENDE PRISER



VILLEROY & BOCH NORGE AS

HOVEDKONTOR

Fakturaadresse: Postboks 13, 1471 Lørenskog
Besøksadresse: Luhrtoppen 2, 1470 Lørenskog
Tlf. 67 97 82 50
E-post: info.norway@gustavsberg.com

KUNDESERVICE, ordre og support

E-post bestilling: ordregb@gustavsberg.com

Minka Sehic, tlf. 67 97 82 53, sehic.minka@gustavsberg.com

Torbjørn Hansen, tlf. 67 97 82 66, torbjorn.hansen@gustavsberg.com

TEKNISK SERVICE, reklamasjoner, reservedeler og support

Dagfinn Bråthen, teknisk ansvarlig, tlf.dir. 67 97 82 55, mobil 416 26 549, dagfinn.braathen@gustavsberg.com

Marius Henriksen, prosjektkoordinator og teknisk support, tlf.dir. 67 97 82 56, mobil 977 30 002,
marhus.henriksen@gustavsberg.com

Torbjørn Hansen, teknisk support. tlf.dir. 67 97 82 66, mobil 468 19 951, torbjorn.hansen@gustavsberg.com

SALG Gustavsberg og Villeroy & Boch Basic

Oslo, Akershus, Østfold, Hedmark og Oppland
Erik Hansen, mobil 958 25 335, erik.hansen@gustavsbergs.com

Buskerud, Vestfold, Telemark, Oppland vest, Vest Agder, Rogaland t.o.m. Stavanger
Anita Irene Hagh, mobil 468 79 790, anita.hagh@gustavsberg.com

Aust Agder og Kristiansand

Tor Strand Jacobsen, mobil 905 57 704, torstrand.jacobsen@gustavsberg.com

Hordaland, Sogn og Fjordane, Møre og Romsdal, Rogaland til Haugesund
Helge Olsnes, mobil 908 94 490, helge.olsnes@gustavsberg.com

Sør- og Nord-Trøndelag, Nordland, Troms og Finmark

Thor Johan Aar, mobil 979 70 001, thorjohan.aar@gustavsberg.com

SALES SUPPORT

Line Andersen, tlf. 67 97 82 63, mobil 932 03 387, line.andersen@gustavsberg.com

ØKONOMI OG ADMINISTRASJON

Mai Randi Havnø, tlf.dir. 67 97 82 51, mobil 951 10 897, mairandi.havno@gustavsberg.com

Bjørn Fredricson, Daglig leder

Mobil 909 15 171, bjorn.fredricson@gustavsberg.com

Tor Strand Jacobsen, markedsjef

Mobil 905 57 704, torstrand.jacobsen@gustavsberg.com

MARKEDS SUPPORT

Suzi Andresen, tlf. 67 97 82 54, mobil 986 45 654, suzi.andresen@gustavsberg.com

Indeks	2
Sanitærporselen	13
Gulvklosetter	13
Veggmonterte toaletter	15
Veggskåler	16
Toalettseter	17
Care Basic	19
Triomont innbyggingsystemer og trykkplater for veggmonterte klosetter	20
Bidéer og Urinaler	21
Spyleknapper	22
Nordic ³ servanter	24
Nautic servanter	24
Nautic søyler	26
Estetic servanter og søyler	26
Artic servanter og søyler	27
Kompletterende servanter	28
Sykehus/HC-servanter	30
Vannlåser og tilbehør servant	31
Tilbehør	32
Baderomsmøbler	35
Nordic ³ baderomsmøbler og Nautic baderomsmøbler	35
Graphic baderomsmøbler	36
Artic baderomsmøbler	39
Håndtak og Knotter til Artic og Graphic	42
Badekar	44
Badekar i emaljert stålplate med hel- eller halvfrontstativ	45
Frittstående badekar	48
Innbyggingsbadekar i emaljert stålplate	50
Tilvalg: Skandic blandebatteri montert på badekarkanten	52
Dusjvegger	53
Slagdører og Badekarvegger	53
Blandebatterier	54
Nordic ³ servantkraner og Nautic servantkraner	55
Logic servantkraner og Coloric servantkraner	57
Estetic servantkraner og Berøringsfrie servantkraner	58
Nautic bidé kran og Nordic ³ dusjkran m/termostat	59
Nautic dusjkran m/termostat og Atlantic dusjkran m/termostat	60
Logic dusjkran m/termostat og Estetic dusjkran m/termostat	61
Coloric dusjkran m/termostat og Nautic, Logic og Coloric termostat badebatteri	62
Estetic og Coloric ettgreps dusjbatterier og Skandic blandebatteri montert på badekarkanten	63
Hånddusj med veggfeste og Nautic ettgrepsbatterier for veggmontering	64
Nautic ettgreps badebatterier og Logic ettgrepsbatterier for veggmontering	65
Utløpstuter Bunnventiler Anslutningskoplinger Eksenterkoplinger Veggfester	66
Dusjsett	67
Faste dusjsett	68
Nordic ³ kjøkkenkran og	69
Nautic Kjøkkenkraner	70
Atlantic og Logic kjøkkenkran	72
Coloric kjøkkenkran og Utekran	73
Reservedeler	74
Reservedeler sanitærporselen	74
Reservedeler møbler og deler	108
Reservedeler badekar	112
Reservedeler Dusj	118
Reservedeler armatur	136

Alle priser er veiledende. Vi tar forbehold om endringer og eventuelle trykkfeil.



NRF. NR.	ART. NR.	SIDE	NRF. NR.	ART. NR.	SIDE	NRF. NR.	ART. NR.	SIDE
4143984	GB41218324	41	4340944	GB41214024	64, 71	4342653	GB41637445	57, 66, 159
4340302	GB41214045	56	4340945	GB41214023	65	4342655	GB41103305	69
4340303	GB41219151	23	4340946	GB41214033	65	4342656	GB41633748	69
4340305	GB41219151	46	4340947	GB41214035	65	4342659	GB41637010 01	179, 183, 185
4340311	GB41219151	49	4340995	GB41214933	62	4342661	GB41634828 01	143, 149, 155, 157, 159, 163, 173, 175, 179, 183, 185, 187
4340323	GB41214934	65	4341008	GB41218004	63	4342666	GB41103615	69
4340324	GB41214043	55	4341163	GB41214264	71	4342669	GB41635680 01	173, 185
4340325	GB41214081	58	4341165	GB41214245	56	4342672	GB41636447 01	187
4340328	GB41218051	58	4341166	GB41214045 64	55	4342673	GB41636448 01	187
4340342	GB41218051	41	4341882	GB41218330	69	4342675	GB41636437 01	185
4340349	GB41218251	58	4341885	GB41219204 23	62	4342676	GB41637337 01	185
4340353	GB41218251	41	4341886	GB41219204 46	62	4342677	GB41637173	185
4340357	GB41214961	57	4341889	GB41219204 49	62	4342683	GB41636920 01	187
4340358	GB41214991	57	4341892	GB41219224 23	62	4342684	GB41636465 01	147, 153
4340359	GB41214981	59	4341893	GB41219224 46	62	4342685	GB41636460 01	147, 153
4340365	GB41219051	23	4341899	GB41219224 49	62	4342686	FG0640841	189
4340366	GB41219051	46	4341901	GB41219223 23	62	4342687	GB41636596 00	64, 193
4340369	GB41219051	49	4341902	GB41219223 46	62	4342688	GB41636597 44	193
4340377	GB41215047	56	4341906	GB41219223 49	62	4342689	GB41636598 00	193
4340378	GB41215047	0	4341932	GB41215304	60, 62	4342691	GB41636599 00	193
4340379	GB41215147	56	4341935	GB41215324	60	4342692	GB41634078 01	153
4340381	GB41214041	55	4341936	GB41215333	62	4342699	GB41103390 23	67
4340383	GB41214141	56	4341937	GB41215352	59	4342701	GB41103390 46	67
4340384	GB41214047	55	4341939	GB41215387	60	4342704	GB41103390 49	67
4340386	GB41214047	64	4341941	GB41215604	59	4342706	GB41637577	197
4340387	GB41214147	56	4341942	GB41215624	59	4342712	GB41103216	69
4340388	GB41214085	56	4341944	GB41218335	69	4342713	GB41637270 01	159, 173
4340389	GB41213051	55	4341948	GB41214904	61	4342714	GB41638358 01	177
4340391	GB41213043	55	4341949	GB41214924	61	4342715	GB41638361 02	177
4340392	GB41213061	55	4341952	GB41632814 02	139, 153	4342716	GB41638450	179, 183, 185
4340393	GB41213081	58	4341957	GB41638336 01	139, 199	4342717	GB41637387 01	137, 139, 143, 147, 149, 177, 199
4340398	GB41218251	53	4341958	GB41632815	139, 153	4342718	GB41637389 02	177
4340399	GB41218051	53	4341959	GB41638339 01	137, 139, 143, 153	4342719	GB41637393	177, 187
4340501	GB41214071	59	4341962	GB41634757 01	137, 139, 143, 149, 153, 155, 199	4342721	GB41637406	177, 187
4340502	GB41214145	56	4341963	GB41636577 01	137, 139, 143, 149, 153, 155, 199	4342722	GB41637407	177, 187
4340503	GB41214185	56				4342723	GB41637410	147, 177
4340677	GB41205361	71				4342724	GB41637415	177, 187
4340692	GB41204956	72	4341975	GB41218304	61	4342725	GB41637416	147, 177
4340693	GB41204996	72	4341977	GB41218304 41	61	4342726	GB41638334 01	137, 139, 143, 147, 199
4340695	GB41203056	69	4341982	GB41218324	61	4342731	GB41638375 01	179, 185
4340696	GB41203096	69	4341985	GB41215330	68	4342732	GB41638374 01	179, 185
4340713	GB41634157	179	4341986	GB41215335	68	4342734	GB41637320	191
4340713	GB41634157 01	159, 175, 183, 185	4341989	GB41218304 53	61	4342735	GB41637363 01	179, 187
4340714	GB41637575	64, 157, 159, 163, 173, 177, 191	4341991	GB41218324 53	61	4342737	GB41638515 25	57, 65, 72, 73
			4341992	GB41638860 53	61	4342738	GB41638515 23	57, 65, 72, 73
4340715	GB41632834	159, 179	4341993	GB41205058	72	4342739	GB41638515 36	57, 65, 72, 73
4340716	GB41632633 01	159	4341994	GB41205058 0	72	4342741	GB41638515 38	57, 65, 72, 73
4340718	GB41638453 01	157, 159	4341995	GB41205098	72	4342742	GB41638520 23	73
4340723	GB41209055 23	73	4341996	GB41215004	60	4342742	GB41638520 25	57, 72
4340724	GB41209055 46	73	4341997	GB41215004 0	60	4342743	GB41638520 23	57, 72, 73
4340727	GB41209055 49	73	4341998	GB41215087 0	67	4342744	GB41638520 36	57, 72, 73
4340745	GB41205081	66, 72, 73	4342624	GB41630184	71, 149	4342745	GB41638520 38	57, 72, 73
4340765	GB41204056	70	4342625	GB41633616	66, 137, 139, 143, 149, 153, 155	4342746	GB41638528 25	61, 62
4340766	GB41204096	70				4342746	GB41638528 23	61, 62
4340767	GB41204055	70	4342626	GB41633624	66, 137, 139, 143, 149, 153, 155	4342747	GB41638528 36	61, 62
4340768	GB41204155	70				4342748	GB41638528 38	61, 62
4340769	GB41204155 88	70	4342627	GB41637360 01	67, 159, 179, 187	4342751	GB41637282 01	159, 167
4340771	GB41204095	71	4342627	GB41637363 01	149	4342752	GB41638202	159, 179
4340772	GB41204195	71	4342632	GB41636424 01	66	4342753	GB41637261 01	143, 149, 157, 159, 163, 175, 179, 183
4340773	GB41204195 88	71	4342633	GB41637161 02	66, 157, 159, 163, 173, 175, 179, 183, 185	4342754	GB41633972	137, 139, 143, 149, 159, 175, 179, 185
4340778	GB41204057	70						
4340779	GB41204097	70	4342634	GB41637315	66, 153			
4340781	GB41204958	73	4342635	GB41637804 01	67, 139, 153			
4340782	GB41204998	73	4342636	GB41637810 01	67, 139, 153			
4340795	GB41205098 0	72	4342637	GB41637840 02	67, 139, 153, 199	4342755	GB41633952 01	137, 139, 143, 149, 153, 155
4340904	GB41219004 23	63	4342638	GB41637450	66, 159, 173	4342756	GB41638726 01	193
4340905	GB41219004 46	63	4342639	FG079805705	64, 66	4342757	GB41638725 01	193, 197
4340914	GB41219004 49	63	4342641	GB41635944 01	66	4342759	GB41638727 02	193
4340941	GB41214004	64	4342643	GB41637164 02	66	4342761	GB41638728 01	193
4340943	GB41214014	64	4342651	GB41637453	159, 173			



NRF. NR.	ART. NR.	SIDE	NRF. NR.	ART. NR.	SIDE	NRF. NR.	ART. NR.	SIDE
4342762	GB41637562	195	4343068	GB41634119	173	4343368	GB41637347	137, 139, 143,
4342764	GB41637564	197	4343071	FG0115080	66			149, 153, 199
4342766	GB41638514 01	143, 163, 183, 187	4343076	FG0115050	66	4343369	GB43000021 01	159, 163, 167, 173,
4342767	GB41638549 01	163, 175, 183	4343084	FG0640835	189			177, 179, 183, 185
4342768	GB41638220 01	159, 163, 175,	4343085	FG0640836	189	43438 05	GB41636264 44	191
		179, 183, 185	4343086	FG0640837	189	4343801	GB41636254 00	191
4342769	GB41638224 01	157, 159, 163, 173	4343088	FG0105062	73	4343802	GB41636255 00	191
4342771	GB41638199 01	159, 163, 179, 185	4343096	GB41632698 02	137, 139, 143,	4343803	GB41636261 00	191
4342772	GB41636457 01	157, 163, 167, 169, 173			147, 153, 199	4343804	GB41636263 00	157, 159, 163, 173,
4342773	GB41638560 01	167, 169	4343101	FG0115060	66			177, 179, 185
4342775	GB41636629 01	167, 169	4343102	FG0115061	66	4343807	GB41636256 00	191
4342776	GB41637326 0	179, 185	4343103	FG0115062	66	4343808	GB41636257 00	191
4342779	GB41638281 01	147	4343104	FP636142	66	4343809	GB41636265 00	191
4342781	GB41638760	60	4343115	GB41631765 02	66	4343811	GB41636266 00	64, 191, 193, 195, 199
4342782	GB41638283 01	147	4343118	GB41634525	66	4346741	GB41636447 01	173, 185
4342783	GB41638287 01	147	4343121	GB41633860 33	157, 159, 163,	4346742	GB41636448 01	173, 185
4342785	GB41638530 01	143			173, 177, 179, 185	4346745	GB41636920 01	173
4342786	GB41638525 01	143	4343123	GB41634555 01	137, 139, 143,	50800093	FG032033520	163
4342787	GB41638545 01	143			149, 153, 155, 199	50800015	FG0640857	73
4342788	GB41638542 01	143	4343124	GB41634799 0001	153, 155	50800086	FG032033420	179, 185
4342798	GB41638860	61	4343126	GB41636326 01	155, 173, 185	50800093	FG032033520	159, 179, 185
4342801	GB41638860 41	61	4343127	GB41636337 01	173, 187	5080123	FG032033520	177
4342802	GB41103230	68	4343142	GB41634621 01	187	6020007	GB1561479801	28
4342803	GB41103235	68	4343144	GB41634680 01	187	6020016	7G285301	29
4342806	GB41103210	68	4343154	GB41635410 01	187	6020017	7G286001	29
4342807	GB41103215	68	4343161	GB41634650 01	187	6020019	GB1074010112	30
4342808	GB41103350 15	68	4343166	GB41634470 01	155, 173, 185	6020027	GB1573279801	29
4342811	GB41630151	66, 155	4343175	GB41636440 01	185	6020043	GB1074010102	30
4342815	GB41630191	66, 155	4343177	GB41633858	179, 185	6020044	GB1074010101	30
4342819	GB41630194	66, 155	4343188	GB41635762 3301	159, 163, 175,	6020064	GB1059020101	28
4342868	GB41633614	66, 71, 137, 139,			179, 183, 185	6020069	GB1059056101	28
		143, 149, 153, 155	4343189	GB41635790 01	66, 70, 71, 159, 179, 185	6020085	GB41103880 41W	31
4342877	GB41633632	65, 66, 137, 139,	4343196	GB41633877 01	155, 173, 185, 187	6020087	GB41103880 41L	31
		143, 149, 153, 155	4343209	GB41633861 25	179, 185	6020088	GB1086020161	28
4342878	GB41633633	66, 137, 139,	4343211	GB41633513 01	155, 173, 185	6020089	GB1086030161	28
		143, 149, 153, 155	4343213	GB41633971 02	159, 175, 177, 179, 185	6020092	GB157119630110	30
4342879	GB41633631	65, 66, 137, 139,	4343216	GB41632731 02	155, 185	6020111	GB1145500101	27
		143, 149, 153, 155	4343217	GB41636302 02	173	6020113	GB1144500101	27
4342895	GB41633651	185	4343218	GB41632952	179	6020115	GB1146000101	27
4342896	GB41103250	67	4343218	GB41632952 01	185	6020125	51979R01	27
4342905	GB41636820	62, 65, 66	4343241	GB41630131 01	137, 139, 143, 149, 153,	6020126	51979R1	27
4342911	GB41634610	185			155, 159, 171, 173, 177, 179, 185	6020127	51979L01	27
4342917	GB41635270	66	4343242	GB41630129 01	149, 155, 179, 185	6020128	51979LR1	27
4342926	GB41637418	177	4343271	GB41633505 01	189	6020129	51989901	27
4342933	GB41638464	195	4343272	GB41633506 01	189	6020131	519899R1	27
4342934	GB41638465	195	4343273	FG0640548	189	6020158	GB41103880 53L	31
4342935	GB41638466	195	4343275	FG0640782	189	6020159	GB41103880 53W	31
4342936	GB41638467	195	4343286	GB41633510 01	189	6020181	410350R1	26
4342937	GB41638468	195	4343295	GB41634045 01	153	6020183	410350S0	26
4342941	GB41638472	195	4343314	GB41634035 01	137, 139, 153	6020184	410360R1	26
4342942	GB41638457	66	4343319	GB41637280 01	159, 173, 177	6020186	410360S0	26
4342944	GB41637584 01	197	4343325	GB41634140 3301	185	6020187	72730001	26
4342954	FG0105060	73	4343335	GB41634210	66, 149, 153, 155	6020188	72730036	26
4342955	FG0105070	73	4343336	GB41634719 01	189	6020191	72970001	26
4342956	FG0105061	73	4343337	GB41632863 01	173	6020192	72970036	26
4342969	FG0640560	189	4343341	GB43000014 10	157, 159, 163, 167, 169,	6020194	4G195501	30
4342975	GB41630197	66, 155			173, 175, 177, 179, 183, 185	6020195	4G196601	30
4342977	GB41630196	66, 155	4343344	GB41632625 01	159, 173	6020196	4G208001	30
4342981	GB41630770	66	4343347	GB41636617 01	155, 173, 185, 187	6020197	5G786001	30
4342991	GB41635430 01	155, 173, 185, 187	4343348	GB41635617 01	187	6020198	4G196101	30
4342994	GB41103017 23	67	4343353	GB41636246 01	185	6020201	55409R01	24
4343051	GB41636395 01	187	4343358	GB41636654 01	173, 187	6020202	55409RR1	24
4343054	GB41636575 01	55, 56, 57,	4343359	GB41636912 01	173	6020203	55409L01	24
		58, 59, 66, 159	4343362	GB41636359 01	137, 139, 143, 149,	6020204	55409LR1	24
		66, 159			153, 155, 199	6020205	55409701	24
4343055	GB41630305	66, 159	4343363	GB41634756 01	137, 139, 143,	6020206	554097R1	24
4343059	GB41635678 8701	155, 173, 185, 187			149, 155, 199	6020207	55509901	24
4343061	GB41636479 01	153	4343366	GB41637250	67, 149, 159, 179, 187	6020208	555099R1	24
4343062	GB41636480 01	153	4343367	GB41637267 01	143, 149, 157, 159, 163,	6020209	55509701	24
4343065	GB41635633 02	137, 139, 143,			175, 179, 183, 187	6020211	555097R1	24
		147, 153, 199						



NRF. NR.	ART. NR.	SIDE	NRF. NR.	ART. NR.	SIDE	NRF. NR.	ART. NR.	SIDE
6020212	55509801	24	6022307	GB1115102R1304	13	6025408	GB1929900227	18
6020213	555098R1	24	6022308	GB111591201203	13	6025411	GB1929900226	18, 97
6020216	55569901	24	6022309	GB1183002RW231	13	6025412	GB1919901702	18, 87
6020217	555699R1	24	6022311	GB1183002RW231G	13	6025414	GB1919901950	18, 87
6020218	55569701	24	6022909	GB113500301203	14	6025415	GB1919901900	18, 97
6020219	555697R1	24	6022911	GB1030510152	14	6025419	GB1919901601	18, 93
6020221	55569801	24	6022916	GB114330201231	16	6025421	GB1919901201	18, 87
6020222	555698R1	24	6022924	GB1033930104	15	6025425	9M246101	17, 75, 79
6020223	55569M01	24	6022926	GB113510301203	14	6025426	9M256101	17, 75, 79
6020224	55569MR1	24	6022932	GB1143302R1231	16	6025427	9M265101	17, 75, 79
6020225	55609901	25	6022943	GB111500201304	13	6025428	9M265136	17, 75, 79
6020226	556099R1	25	6022944	GB1115002R1304	13	6025429	GB88306001	19
6020227	55609701	25	6022977	GB1183002R1231G	13	6025431	GB88306004	19
6020228	556097R1	25	6022979	GB1183002S0231G	13	6025432	GB88306015	19
6020229	55609801	25	6022981	GB1183002R1231	13	6025434	GB88306036	19
6020231	556098R1	25	6022983	GB1183002R1221	13	6025445	9M385101	17
6020232	55609M01	25	6022997	5G84R001	16	6025456	9M646101	17, 81
6020233	55609MR1	25	6022998	5G84HR01	16	6025459	9M10S101	17
6020234	55659901	25	6023007	GB19211000510	15	6025461	9M10S136	17
6020235	556599R1	25	6023008	GB1921100398	103, 105	6025462	9M10S153	17
6020236	55659701	25	6023011	GB115500301203	14	6025463	9M106101	17
6020237	556597R1	25	6023013	GB115500301203G	14	6025464	9M09S101	17
6020238	55659801	25	6023034	GB115530001000	16	6025465	9M09S136	17
6020239	556598R1	25	6023035	GB1155300R1000	16	6025466	9M09S153	17
6020241	55659M01	25	6023036	GB1115222R1203	15	6025467	9M096101	17
6020242	55659MR1	25	6023037	GB111522201203	15	6025469	9M676101	17
6020243	55709901	25	6023038	GB111522401205	15	6025471	8780S101	17
6020244	557099R1	25	6023039	GB111546201203	13	6025507	GB1919902055	18, 85
6020245	55709801	25	6023041	GB1115462R1203	13	6025508	9M16S101	17, 89
6020246	557098R1	25	6023042	GB111546401205	13	6025509	9M16S136	17, 89
6020247	55709M01	25	6023043	GB111500201303G	13	6025511	9M11S101	17
6020248	55709MR1	25	6023044	GB111591201303	13	6025513	GB1919901610	18
6020249	55459901	25	6023045	GB111546201304	13	6025514	GB1919901960	18
6020251	554599R1	25	6023046	GB111522201304	15	6025517	9M016101	17, 91
6020252	55459801	25	6023047	GB1115222R1304	15	6025557	GB1929900344	93
6020253	554598R1	25	6023601	GB18233000R1200	85	6025601	GB19299P0100	79
6020254	55559901	25	6023602	GB1823100R1200	85	6025602	GB19299P0101	79
6020255	555599R1	25	6023603	GB182350001200	85	6025603	GB19299P0102	79
6020256	55559801	25	6023609	GB1823500R1200	85	6025604	GB19299P0103	79
6020257	555598R1	25	6023611	GB1043050101	95	6025605	GB19299P0105	79
6020278	GB41636575 25	58	6023612	7G061001	16	6025606	GB19299P0106	79
6020279	GB41636575 23	58	6023613	GB113530001000	16	6025611	GB88305101	19
6020281	GB41636575 41	58	6023617	4G01R001	16	6025614	GB19299P0112	79
6020282	4G01A501	36	6023618	4G95R001	16	6025615	GB19299P0113	79
6020283	4G00A501	39	6023623	GB1043340101	93	6025616	GB19299P0114	79
6020284	4G00A401	39	6023629	GB182391001200	85	6025617	GB19299P0116	79
6020285	4G00C501	40	6023641	GB185500001200	79	6025619	GB185580001200	75, 79
6020286	4G014501	36	6023642	GB1855000R1200	79	6025622	92226100	75, 77, 79
6020287	4G016001	36	6023643	GB185510001200	79	6025624	92226461	75
6020288	4G006001	39	6023644	GB1855100R1200	79	6025625	92226561	75
6020289	4G018001	36	6023652	GB1183300R1030	16	6025626	GB1921100394	20, 21, 103, 105
6020291	4G008001	39	6023653	GB1183300RW030	16	6025627	GB1921100395	105
6020292	410350RW	26	6023654	GB1183300S0030	16	6025628	GB88301801	20
6020293	410360RW	26	6023655	GB1183300R1020	16	6025631	GB1919901845	85, 91
6020294	727300RW	26	6023661	GB1043920101	87	6025632	GB19299S1931	85
6020295	729700RW	26	6023668	GB1823400R1200	85	6025633	GB1929900365	75, 81, 85
6020703	GB1129200100	26	6024305	GB1921102026	20	6025634	GB1929900168	85, 91
6020706	GB1019400100	28	6024327	GB1042060101	95	6025636	GB88305500	19
6020711	52959901	26	6024339	GB1042640101	93	6025637	GB88305501	19
6021127	GB11129300100	26	6024346	GB1042900101	87	6025638	GB1921100396	105
6021222	41005001	24	6024962	GB19299K1931	85	6025639	GB1921100397	105
6021223	41005501	24	6024964	GB19299T2800	93	6025641	GB1921102021	20
6021905	GB41103880 00W	31	6024965	8193B901	91	6025642	GB1921102022	21
6021907	GB41103880 00L	31	6024976	GB1929900338	93	6025643	GB1921102024	21
6021909	94281061	29	6025351	GB1921101171	107	6025647	GB1921102052	22
6021912	GB1922100802	111	6025353	GB1929901991	85	6025648	GB1921102053	22
6021913	87070000	29	6025404	9M115136	17	6025649	GB1921102054	22
6022298	GB1115002R1331G	13	6025405	GB1919902065	18, 85	6025651	GB1921102060	22
6022301	GB111510201304	13	6025406	GB1919900910	19, 95	6025652	GB1921102061	22
6022302	GB111510401205	13	6025407	GB1919901286	19, 95	6025653	GB1921102066	22



NRF. NR.	ART. NR.	SIDE	NRF. NR.	ART. NR.	SIDE	NRF. NR.	ART. NR.	SIDE
6025654	GB1921102067	22	6025863	GB1921100099	107	6026262	GB1929900233	101
6025655	GB1921102080	23	6025865	GB1921100122	107	6026266	GB1929900058	97
6025656	GB1921102081	23	6025871	GB1921100110	107	6026282	GB1929900330	101
6025657	GB1921102085	23	6025873	GB1921100114	107	6026366	GB1929900208	97
6025658	GB1921102086	23	6025874	GB1921100115	107	6026373	GB1929900209	87, 93, 97
6025659	GB1921102092	23	6025877	GB1921100118	107	6026389	GB1929900324	87
6025661	GB1921102100	31	6025882	GB19299T2951	85, 89, 91, 93	6026411	GB1929900236	95, 99
6025662	GB8830700001	15	6025883	GB19299T2952	85	6026414	GB1929900237	95, 99
6025663	GB8830701001	15	6025896	GB1929901974	85, 87, 95, 97	6026421	GB1929900238	95, 99
6025664	GB8830709101	15	6025901	GB1929900500	89	6026511	GB1929901453	95
6025665	GB1921100390	105	6025902	GB1929900502	89, 91	6026518	GB1919901830	97
6025666	GB1921100391	105	6025903	GB1929900503	91	6026519	GB1919901831	87
6025667	GB1921100392	105	6025904	GB1929900504	89	6026525	GB1929900217	95, 97, 99
6025668	GB1921100393	105	6025905	GB1929900505	89	6026527	GB1929900319	85, 87, 91
6025669	GB19299NV036	14, 15, 79	6025906	GB184200001200	89	6026541	GB1929900216	97, 99
6025671	GB1911101291	85	6025908	GB184310001200	89	6026543	GB1929900315	97
6025674	GB1921102028	103	6025917	GB1843100R1200	89	6026545	GB1929900316	95
6025675	GB1929900503	15, 75, 77, 79, 81, 85, 89	6025922	GB1929900332	99	6026555	GB1929900320	85, 87, 91
6025677	92207401	79, 85, 89, 91	6025923	GB1929900239	95, 99	6026581	GB1929900282	87, 93, 97
6025677	92227401	75	6025924	GB1929900506	91	6026591	GB1929900283	87
6025681	GB41635960	87	6025926	GB1921102020	20	6026592	GB1929900361	87
6025682	GB1043390101	87	6025927	GB1921102027	20, 21	6026755	GB88170401	31
6025684	GB1919901839	85	6025928	GB1921102029	20, 21	6026758	GB88170701	31
6025686	GB1929901545	87, 93	6025929	GB1921102030	22	6026759	GB88170801	31
6025689	92242500	75, 79	6025932	GB1921102032	22	6026763	GB88171101	20
6025701	GB1927634600	14, 85	6025933	GB1921102035	22	6026764	GB88171201	20
6025704	GB1927569710	14, 85	6025934	GB1921102036	22	6026765	GB88171301	20
6025705	GB88305100	19	6025935	GB1921102037	22	6026766	GB88171401	20
6025727	GB1921101191	107	6025939	GB1921102045	22	6026767	GB88171501	20
6025728	GB1921101188	107	6025942	GB1921102047	22	6026769	GB88171701	20
6025729	GB1921101178	107	6025943	GB1921100370	103, 105	6028611	55989901	21
6025737	GB1921102010	107	6025944	GB1921100371	103, 105	6028612	559899R1	21
6025738	GB1921102011	107	6025945	GB1921100372	103, 105, 107	6028613	55999901	21
6025739	GB1921102012	107	6025946	GB1921100373	103, 105, 107	6028614	559999R1	21
6025741	GB1921102013	107	6025947	GB1921100375	103, 105	6028621	93260000	21
6025744	GB1921102016	107	6025949	GB1921100377	103	6028622	93270000	21
6025745	GB1921102017	107	6025951	GB1921100378	103	6028622	7G500001	21
6025746	GB19299P0109	79	6025952	GB1921100379	103	6030005	7G510001	21
6025747	GB19299P0111	79	6025953	GB1921100380	103, 105, 107	6030037	99320000	21
6025748	GB19299P0108	79	6025954	GB1921100381	103, 105, 107	6030038	99330000	21
6025749	GB19299P0110	79	6025955	GB1921100382	103, 105, 107	6030129	GB2929900175	113, 117
6025752	GB1921100111	103, 105, 107	6025956	GB1921100383	103, 105	6030157	GB2929900110	113
6025756	GB1042980101	87	6025957	GB1921100384	103, 105	6030201	GB2110510100	47
6025758	GB88306000	79	6025958	GB1921100385	103, 107	6030203	GB2113000100	45
6025759	GB88306051	85	6025959	GB1921100386	103, 105, 107	6030204	GB2114000100	45
6025793	GB19299N2937	87	6025961	GB1921100387	103	6030215	GB2116030100	46
6025798	GB19299KT959	85	6025968	GB881712101	20	6030217	GB2117000100	47
6025803	GB1921100095	107	6025969	GB1921102070	22	6030221	GB2116070100	47
6025807	GB19299T1956	85, 87, 93	6025971	GB1921102071	22	6030222	GB2117070100	47
6025808	GB19299T1951	85, 87, 93	6025974	GB1921102056	22	6030232	GB2115710100	48
6025812	GB19299TK962	79, 85, 89, 91, 93	6025975	GB1921102057	22	6030233	GB2110160100	48
6025813	GB19299TK960	85, 89, 91, 93	6025976	GB1921102058	22	6030246	GB2083400100	50
6025815	GB19299K1956	85	6025977	GB1921102082	23	6030247	GB2083500100	50
6025816	GB19299K1951	85	6025978	GB1921102083	23	6030248	GB2083600100	50
6025823	GB1921102055	22	6025983	9GN00100	75, 77	6030249	GB2083970100	50
6025831	GB19299TK961	85, 89, 91, 93	6025984	9GN00200	75, 77	6030251	GB2081220100	50
6025833	GB1929903410	75, 79, 85, 91	6025985	9GN00300	75, 77	6030252	GB2081380100	51
6025839	GB19299U1931	87	6025986	9GN00561	75	6030253	GB2083410100	51
6025842	GB1923100802	87, 111	6025987	9GN01161	75	6030254	GB2083411100	51
6025844	GB1929900345	93	6025988	9GN00661	75	6030255	GB2086830100	51
6025845	GB1929900347	87, 93, 97	6025994	9GN01000	75, 77	6030256	GB2086831100	51
6025846	GB1929900356	93	6025995	9GN00400	75, 77	6030257	GB2082570100	51
6025847	GB1929900381	79, 89, 93	6025996	GB19299N0100	75, 77	6030258	GB2082580100	52
6025848	GB1929901244	97	6026201	GB1929900211	99	6030259	GB208231500	50, 51, 52
6025851	GB1919901832	93	6026212	GB1929900260	87, 93, 97, 99	6030264	GB2063680101	49
6025856	GB1921100081	107	6026213	GB1929900244	99	6030265	GB41217143	52, 63
6025857	GB1921100082	107	6026213	GB1929900260	95	6030266	GB41638390	52, 63
6025858	GB1921100083	107	6026221	GB1929900291	99	6030267	U90600361	52, 63
6025861	GB1921100094	107	6026244	GB1929900228	101	6030273	GB2063160101	48
6025862	GB1921100098	107	6026247	GB1929900229	101	6030276	GB2063160001	48



NRF. NR.	ART. NR.	SIDE	NRF. NR.	ART. NR.	SIDE	NRF. NR.	ART. NR.	SIDE
6030277	GB2063680001	49	7031515	GB71488860BO	40	7031686	GB71GCMC45GR	38
6030461	GB2063685601	49	7031517	GB71488860DH	40	7031687	GB714810AG00	39
6030462	GB2063165601	48	7031522	GB71488810BO	40	7031689	GB714860AG00	39
6030552	GB2929970004	113	7031524	GB71488810DH	40	7031691	GB714880AG00	39
6030553	GB2929900174	113	7031531	GB71B03300E4	35	7031693	GB714812AG0L	40
6031715	GB2929900228	113	7031532	GB71B03300E9	35	7031694	GB714812AG0R	40
6031722	GB2924300155	50, 51, 52, 113	7031533	GB71A47900E4	35	7031695	GB714812WFO0L	40
6031723	GB2924300156	50, 51, 52, 113	7031534	GB71A47900E9	35	7031696	GB714812WFO0R	40
6031735	GB2929970001	113	7031535	GB71B032E4WB	35	7031697	GB714812BL0L	40
6031736	GB2929970002	113	7031536	GB71B032E9WB	35	7031698	GB714812BL0R	40
6031737	GB2929970003	115	7031537	GB71B032E4WBN	35	7031699	GB714812DH0L	40
6031738	GB2116040100	46	7031538	GB7148806000	41	7031701	GB714812DH0R	40
6031739	GB2115740100	46	7031539	GB7148806000U	41	7031703	GB71GCTC32GN	38
6031741	GB2115040100	45	7031547	GB714810BL00	39	7031706	GB71GCTC16GN	38
6031742	GB2174100100	47	7031548	GB714810DH00	39	7031711	GB71GCSC6032GN	37
6031743	GB2174130100	45	7031552	GB71GCTP1216DH	37	7031715	GB71GCSC6016GN	37
6031744	GB2174140100	45	7031553	GB71GCTP1216GR	37	7031718	GB71GCMC10GN	38
6031745	GB2174150100	45	7031554	GB71GCTP1232DH	37	7031723	GB71GCMC60GN	38
6031746	GB2174160100	46, 47	7031555	GB71GCTP1232GR	37	7031727	GB71GCMC45GN	38
6031747	GB2174165600	46, 47	7031577	GB71GCTC16DH	38	7031732	GB71GCMC80GN	38
6031748	GB2174170100	47	7031578	GB71GCTC16GR	38	7031736	GB71GCVU80GN00	36
6031749	GB2164130100	45	7031581	GB71GCTC32DH	38	7031737	GB71GCTP6032GR	37
6031751	GB2164140100	45	7031582	GB71GCTC32GR	38	7031741	GB71GCVU60GN00	36
6031752	GB2164150100	45	7031584	GB71GCCL30	38	7031742	GB71GCTP1216GN	37
6031753	GB2164160100	46, 47	7031586	GB714870BO00	40	7031745	GB71GCVU10GN00	36
6031825	GB2924300160	115	7031587	GB71GCDR45	36	7031746	GB71GCTP1232GN	37
6031842	GB2921200358	48, 49	7031593	GB71GCCL50	38	7031749	GB71GCVU45GN00	36
6031843	GB2921200359	48, 49	7031594	GB71GCDR60	36	7031751	GB71GCTP6016GN	37
6031844	GB2921200353	48, 49	7031596	GB71GCSC6016DH	37			
6031865	GB2929900115	113, 117	7031597	GB71GCSC6016GR	37			
6031868	GB2929900117	117	7031599	GB71GCSC6032DH	37			
6031881	GB2929900041	117	7031601	GB71GCSC6032GR	37			
6031891	GB2929900118	117	7031603	GB71GCTP6016DH	37			
6031903	GB2929900119	117	7031604	GB71GCTP6016GR	37			
6031909	GB2929900120	117	7031605	GB71GCTP6032DH	37			
6031935	GB2929900172	113, 115	7031606	GB71GCTP6032GR	37			
6032809	GB1923101721	113	7031609	GB714860DH00	39			
6090202	GB182300001200	85	7031613	GB71GCDR80	36			
6090203	GB182310001200	85	7031615	GB714880BL00	39			
6090205	GB182340001200	85	7031616	GB714880DH00	39			
6092501	GB182200001200	85	7031617	GB71GCDR10	36			
6096502	8780G101	17, 81	7031619	GB71488812BO	40			
6096503	GB1919902002	18, 85	7031621	GB71488812DH	40			
6096504	GB1919902070	18, 85	7031622	GB7148801200U	41			
6096505	GB1919901211	18	7031623	GB7148801200	41			
6301543	UPGUYDG262-337	53	7031624	GB714870DH00	40			
6301605	UDW0080SKA201LN-61	53	7031625	GB71GCMC45DH	38			
6301606	UDW0080SKA201RN-61	53	7031626	GB71GCMC60DH	38			
6301607	UDW0090SKA201LN-61	53	7031627	GB71488880BO	40			
6301608	UDW0090SKA201RN-61	53	7031628	GB71488880DH	40			
6301619	UDW0080SKA200LN-61	53	7031629	GB71GCMC80DH	38			
6301621	UDW0080SKA200RN-61	53	7031631	GB7148808000U	41			
6301622	UDW0090SKA200LN-61	53	7031632	GB7148808000	41			
6301623	UDW0090SKA200RN-61	53	7031633	GB71GCMC10DH	38			
6301633	UDW0070LOG170W-61	53	7031634	GB714870WF00	40			
6301635	UDW0080LOG170W-61	53	7031635	GB71GCVU45DH00	36			
6301637	UDWDOORKNOBW-61	119, 121, 123, 125, 127, 129, 131, 133	7031636	GB71GCVU45GR00	36			
6301993	GB41634002	66	7031637	GB71GCVU60DH00	36			
6302991	GB1563219901	29	7031638	GB71GCVU60GR00	36			
6302992	GB1563229901	29	7031639	GB714860WF00	39			
7031019	GB8128000100	111	7031641	GB71GCVU80DH00	36			
7031022	GB8118000002	111	7031642	GB71GCVU80GR00	36			
7031025	GB711800220	38	7031643	GB71GCVU10DH00	36			
7031035	GB8148300001	111	7031644	GB71GCVU10GR00	36			
7031089	GB41103822 00	33	7031671	GB714880WF00	39			
7031091	GB41103823 00	33	7031674	GB714810WF00	39			
7031093	GB41103827 00	33	7031678	GB714860BL00	39			
7031095	GB41103830 00	33	7031683	GB71GCMC10GR	38			
7031097	GB41103839 00	33	7031684	GB71GCMC80GR	38			
			7031685	GB71GCMC60GR	38			



ART. NR.	NRF. NR.	SIDE	ART. NR.	NRF. NR.	SIDE	ART. NR.	NRF. NR.	SIDE
41005001	6021222	24	55709801	6020245	25	9M096101	6025467	17
41005501	6021223	24	557098R1	6020246	25	9M09S101	6025464	17
410350R1	6020181	26	55709901	6020243	25	9M09S136	6025465	17
410350RW	6020292	26	557099R1	6020244	25	9M09S153	6025466	17
410350S0	6020183	26	55709M01	6020247	25	9M106101	6025463	17
410360R1	6020184	26	55709MR1	6020248	25	9M10S101	6025459	17
410360RW	6020293	26	55989901	6028611	21	9M10S136	6025461	17
410360S0	6020186	26	559899R1	6028612	21	9M10S153	6025462	17
4G006001	6020288	39	55999901	6028613	21	9M11S101	6025511	17
4G008001	6020291	39	559999R1	6028614	21	9M11S136	6025404	17
4G00A401	6020284	39	5G786001	6020197	30	9M16S101	6025508	17, 89
4G00A501	6020283	39	5G84HR01	6022998	16	9M16S136	6025509	17, 89
4G00C501	6020285	40	5G84R001	6022997	16	9M246101	6025425	17, 75, 79
4G014501	6020286	36	72730001	6020187	26	9M256101	6025426	17, 75, 79
4G016001	6020287	36	72730036	6020188	26	9M26S101	6025427	17, 75, 79
4G018001	6020289	36	727300RW	6020294	26	9M26S136	6025428	17, 75, 79
4G01A501	6020282	36	72970001	6020191	26	9M38S101	6025445	17
4G01R001	6023617	16	72970036	6020192	26	9M646101		83
4G195501	6020194	30	729700RW	6020295	26	9M646101	6025456	17, 81
4G196001	6020195	30	77360001		95	9M676101	6025469	17
4G196101	6020198	30	7G061001	6023612	16	B0017100		109
4G208001	6020196	30	7G285301	6020016	29	B0017200		109
4G95R001	6023618	16	7G286001	6020017	29	B0017300		109
51979L01	6020127	27	7G500001	6030004	21	B0017400		109
51979LR1	6020128	27	7G510001	6030005	21	B00177E4		109
51979R01	6020125	27	8193B901	6024965	91	B00177E9		109
51979RR1	6020126	27	87070000	6021913	29	B00178E4		109
51989901	6020129	27	87569961		77	B00178E9		109
519899R1	6020131	27	8780G101		83	B0017900		109
52959901	6020711	26	8780G101	6096502	17, 81	B0290061		109
55409701	6020205	24	8780S101	6025471	17	FG0105060	4342954	73
554097R1	6020206	24	92207401	6025677	79, 85, 89, 91	FG0105061	4342956	73
55409L01	6020203	24	92211761		81	FG0105062	4343088	73
55409LR1	6020204	24	92212261		77	FG0105070	4342955	73
55409R01	6020201	24	92213061		77	FG0115050	4343076	66
55409RR1	6020202	24	92213161		77	FG0115060	4343101	66
55459801	6020252	25	92213261		77	FG0115061	4343102	66
554598R1	6020253	25	92213300		77	FG0115062	4343103	66
55459901	6020249	25	92214501		77	FG0115080	4343071	66
554599R1	6020251	25	92226100	6025622	75, 77, 79	FG032033420	5080086	179, 185
55509701	6020209	24	92226300		77	FG032033520	50800093	163
555097R1	6020211	24	92226461	6025624	75	FG032033520	5080093	159, 179, 185
55509801	6020212	24	92226561	6025625	75	FG032033520	5080123	177
555098R1	6020213	24	92227401	6025677	75	FG0639319 01		77
55509901	6020207	24	92241361		75, 79	FG0640548	4343273	189
555099R1	6020208	24	92241461		75, 79	FG0640560	4342969	189
55559801	6020256	25	92241761		89	FG0640782	4343275	189
555598R1	6020257	25	92241961		81, 83	FG0640835	4343084	189
55559901	6020254	25	92242001		79	FG0640836	4343085	189
555599R1	6020255	25	92242400		79, 89, 91	FG0640837	4343086	189
55569701	6020218	24	92242500	6025689	75, 79	FG0640841	4342686	189
555697R1	6020219	24	92243400		77	FG0640857	5080015	73
55569801	6020221	24	92246700		109	FG079805705	4342639	64, 66
555698R1	6020222	24	93260000	6028621	21	FP636142	4343104	66
55569901	6020216	24	93270000	6028622	21	GB1019400100	6020706	28
555699R1	6020217	24	94281061	6021909	29	GB1030510152	6022911	14
55569M01	6020223	24	99320000	6030037	21	GB1033930104	6022924	15
55569MR1	6020224	24	99330000	6030038	21	GB1042060101	6024327	95
55609701	6020227	25	9GN00100	6025983	75, 77	GB1042640101	6024339	93
556097R1	6020228	25	9GN00200	6025984	75, 77	GB1042900101	6024346	87
55609801	6020229	25	9GN00300	6025985	75, 77	GB1042980101	6025756	87
556098R1	6020231	25	9GN00400	6025995	75, 77	GB1043050101	6023611	95
55609901	6020225	25	9GN00561	6025986	75	GB1043340101	6023623	93
556099R1	6020226	25	9GN00661	6025988	75	GB1043390101	6025682	87
55609M01	6020232	25	9GN01000	6025994	75, 77	GB1043920101	6023661	87
55609MR1	6020233	25	9GN01161	6025987	75	GB1059020101	6020064	28
55659701	6020236	25	9GS01300		81, 83, 85, 87, 89, 91, 93, 97	GB1059056101	6020069	28
556597R1	6020237	25			81, 83, 85, 87, 89, 91, 93, 97	GB1074010101	6020044	30
55659801	6020238	25	9GS01400		81, 83, 85, 87, 89, 91, 93, 97	GB1074010102	6020043	30
556598R1	6020239	25			81, 83, 85, 87, 89, 91, 93, 97	GB1074010112	6020019	30
55659901	6020234	25	9GS01561		83, 85, 87, 89, 91, 93	GB1086020161	6020088	28
556599R1	6020235	25	9GS01600		83, 85, 87, 89, 91, 93	GB1086030161	6020089	28
55659M01	6020241	25	9GS01700		83	GB111500201303G	6023043	13
55659MR1	6020242	25	9M016101	6025517	17, 91	GB111500201304	6022943	13



ART. NR.	NRF. NR.	SIDE	ART. NR.	NRF. NR.	SIDE	ART. NR.	NRF. NR.	SIDE
GB1115002R1304	6022944	13	GB1919901702	6025412	18, 87	GB1921102032	6025932	22
GB1115002R1331G	6022298	13	GB1919901830	6026518	97	GB1921102034		20
GB111510201304	6022301	13	GB1919901831	6026519	87	GB1921102035	6025933	22
GB1115102R1304	6022307	13	GB1919901832	6025851	93	GB1921102036	6025934	22
GB111510401205	6022302	13	GB1919901839	6025684	85	GB1921102037	6025935	22
GB111522201203	6023037	15	GB1919901845	6025631	85, 91	GB1921102045	6025939	22
GB111522201304	6023046	15	GB1919901900	6025415	18, 97	GB1921102047	6025942	22
GB1115222R1203	6023036	15	GB1919901950	6025414	18, 87	GB1921102052	6025647	22
GB1115222R1304	6023047	15	GB1919901960	6025514	18	GB1921102053	6025648	22
GB111522401205	6023038	15	GB1919902002	6096503	18, 85	GB1921102054	6025649	22
GB111546201203	6023039	13	GB1919902055	6025507	18, 85	GB1921102055	6025823	22
GB111546201304	6023045	13	GB1919902065	6025405	18, 85	GB1921102056	6025974	22
GB1115462R1203	6023041	13	GB1919902070	6096504	18, 85	GB1921102057	6025975	22
GB111546401205	6023042	13	GB19211000510	6023007	15	GB1921102058	6025976	22
GB111591201203	6022308	13	GB1921100081	6025856	107	GB1921102060	6025651	22
GB111591201303	6023044	13	GB1921100082	6025857	107	GB1921102061	6025652	22
GB1129200100	6020703	26	GB1921100083	6025858	107	GB1921102066	6025653	22
GB1129300100	6021127	26	GB1921100094	6025861	107	GB1921102067	6025654	22
GB113500301203	6022909	14	GB1921100095	6025803	107	GB1921102070	6025969	22
GB113510301203	6022926	14	GB1921100098	6025862	107	GB1921102071	6025971	22
GB113530001000	6023613	16	GB1921100099	6025863	107	GB1921102080	6025655	23
GB114330201231	6022916	16	GB1921100110	6025871	107	GB1921102081	6025656	23
GB1143302R1231	6022932	16	GB1921100111	6025752	103, 105, 107	GB1921102082	6025977	23
GB114330BLACK		16	GB1921100114	6025873	107	GB1921102083	6025978	23
GB1144500101	6020113	27	GB1921100115	6025874	107	GB1921102085	6025657	23
GB1145500101	6020111	27	GB1921100118	6025877	107	GB1921102086	6025658	23
GB1146000101	6020115	27	GB1921100122	6025865	107	GB1921102092	6025659	23
GB115500301203	6023011	14	GB1921100370	6025943	103, 105	GB1921102100	6025661	31
GB115500301203G	6023013	14	GB1921100371	6025944	103, 105	GB1922100802	6021912	111
GB115530001000	6023034	16	GB1921100372	6025945	103, 105, 107	GB1923100802	6025842	87, 111
GB1155300R1000	6023035	16	GB1921100373	6025946	103, 105, 107	GB1923101721	6032809	113
GB1183002R1221	6022983	13	GB1921100375	6025947	103, 105	GB1927569710	6025704	14, 85
GB1183002R1231	6022981	13	GB1921100377	6025949	103	GB1927634600	6025701	14, 85
GB1183002R1231G	6022977	13	GB1921100378	6025951	103	GB1929900058	6026266	97
GB1183002RW231	6022309	13	GB1921100379	6025952	103	GB1929900168	6025634	85, 91
GB1183002RW231G	6022311	13	GB1921100380	6025953	103, 105, 107	GB1929900208	6026366	97
GB1183002S0231G	6022979	13	GB1921100381	6025954	103, 105, 107	GB1929900209	6026373	87, 93, 97
GB1183300R1020	6023655	16	GB1921100382	6025955	103, 105, 107	GB1929900211	6026201	99
GB1183300R1030	6023652	16	GB1921100383	6025956	103, 105	GB1929900216	6026541	97, 99
GB1183300RW030	6023653	16	GB1921100384	6025957	103, 105	GB1929900217	6026525	95, 97, 99
GB1183300S0030	6023654	16	GB1921100385	6025958	103, 107	GB1929900226	6025411	18, 97
GB1561479801	6020007	28	GB1921100386	6025959	103, 105, 107	GB1929900227	6025408	18
GB1563219901	6302991	29	GB1921100387	6025961	103	GB1929900228	6026244	101
GB1563229901	6302992	29	GB1921100388		103	GB1929900229	6026247	101
GB157119630110	6020092	30	GB1921100389		103	GB1929900233	6026262	101
GB1573279801	6020027	29	GB1921100390	6025665	105	GB1929900236	6026411	95, 99
GB182200001200	6092501	85	GB1921100391	6025666	105	GB1929900237	6026414	95, 99
GB182300001200	6090202	85	GB1921100392	6025667	105	GB1929900238	6026421	95, 99
GB1823000R1200	6023601	85	GB1921100393	6025668	105	GB1929900239	6025923	95, 99
GB182310001200	6090203	85	GB1921100394	6025626	20, 21, 103, 105	GB1929900244	6026213	99
GB1823100R1200	6023602	85	GB1921100395	6025627	105	GB1929900260	6026212	87, 93, 97, 99
GB182340001200	6090205	85	GB1921100396	6025638	105	GB1929900260	6026213	95
GB1823400R1200	6023668	85	GB1921100397	6025639	105	GB1929900282	6026581	87, 93, 97
GB182350001200	6023603	85	GB1921100398	6023008	103, 105	GB1929900283	6026591	87
GB1823500R1200	6023609	85	GB1921101171	6025351	107	GB1929900291	6026221	99
GB182391001200	6023629	85	GB1921101178	6025729	107	GB1929900315	6026543	97
GB184200001200	6025906	89	GB1921101188	6025728	107	GB1929900316	6026545	95
GB184310001200	6025908	89	GB1921101191	6025727	107	GB1929900319	6026527	85, 87, 91
GB1843100R1200	6025917	89	GB1921101416		77	GB1929900320	6026555	85, 87, 91
GB184700001200		81, 83	GB1921102010	6025737	107	GB1929900324	6026389	87
GB185500001200	6023641	79	GB1921102011	6025738	107	GB1929900330	6026282	101
GB1855000R1200	6023642	79	GB1921102012	6025739	107	GB1929900332	6025922	99
GB185510001200	6023643	79	GB1921102013	6025741	107	GB1929900338	6024976	93
GB1855100R1200	6023644	79	GB1921102016	6025744	107	GB1929900344	6025557	93
GB185580001200	6025619	75, 79	GB1921102017	6025745	107	GB1929900345	6025844	93
GB18830001200		77	GB1921102020	6025926	20	GB1929900347	6025845	87, 93, 97
GB18830041200		77	GB1921102021	6025641	20	GB1929900356	6025846	93
GB1911101291	6025671	85	GB1921102022	6025642	21	GB1929900361	6026592	87
GB1919900910	6025406	19, 95	GB1921102024	6025643	21	GB1929900365		83
GB1919901201	6025421	18, 87	GB1921102026	6024305	20	GB1929900365	6025633	75, 81, 85
GB1919901211	6096505	18	GB1921102027	6025927	20, 21	GB1929900381	6025847	79, 89, 93
GB1919901286	6025407	19, 95	GB1921102028	6025674	103	GB1929900500	6025901	89
GB1919901601	6025419	18, 93	GB1921102029	6025928	20, 21	GB1929900502	6025902	89, 91
GB1919901610	6025513	18	GB1921102030	6025929	22	GB1929900503		83



ART. NR.	NRF. NR.	SIDE	ART. NR.	NRF. NR.	SIDE	ART. NR.	NRF. NR.	SIDE
GB1929900503	6025675	15, 75, 77, 79, 81, 85, 89	GB2081380111		51	GB2170170100		47
			GB2081380112		51	GB2174100100	6031742	47
GB1929900503	6025903	91	GB2081380113		51	GB2174130100	6031743	45
GB1929900504	6025904	89	GB2082570100	6030257	51	GB2174140100	6031744	45
GB1929900505	6025905	89	GB2082580100	6030258	52	GB2174150100	6031745	45
GB1929900506	6025924	91	GB2083400100	6030246	50	GB2174160100	6031746	46, 47
GB1929901244	6025848	97	GB2083400111		50	GB2174165600	6031747	46, 47
GB1929901453	6026511	95	GB2083400112		50	GB2174170100	6031748	47
GB1929901545	6025686	87, 93	GB2083400113		50	GB2921200353	6031844	48, 49
GB1929901974	6025896	85, 87, 95, 97	GB2083410100	6030253	51	GB2921200358	6031842	48, 49
GB1929901991	6025353	85	GB2083411100	6030254	51	GB2921200359	6031843	48, 49
GB1929903410	6025833	75, 79, 85, 91	GB2083500100	6030247	50	GB2924300155	6031722	50, 51, 52, 113
GB19299K1931	6024962	85	GB2083500111		50	GB2924300156	6031723	50, 51, 52, 113
GB19299K1951	6025816	85	GB2083500112		50	GB2924300160	6031825	115
GB19299K1956	6025815	85	GB2083500113		50	GB2929900041	6031881	117
GB19299K1959	6025798	85	GB2083600100	6030248	50	GB2929900110	6030157	113
GB19299N0100	6025996	75, 77	GB2083600111		50	GB2929900115	6031865	113, 117
GB19299N2937	6025793	87	GB2083600112		50	GB2929900117	6031868	117
GB19299NV036	6025669	14, 15, 79	GB2083600113		50	GB2929900118	6031891	117
GB19299P0100	6025601	79	GB2083970100	6030249	50	GB2929900119	6031903	117
GB19299P0101	6025602	79	GB2083970111		50	GB2929900120	6031909	117
GB19299P0102	6025603	79	GB2083970112		50	GB2929900172	6031935	113, 115
GB19299P0103	6025604	79	GB2086830100	6030255	51	GB2929900174	6030553	113
GB19299P0105	6025605	79	GB2086831100	6030256	51	GB2929900175	6030129	113, 117
GB19299P0106	6025606	79	GB208B080901		45, 46, 47, 48, 49, 50, 51, 52	GB2929900228	6031715	113
GB19299P0108	6025748	79				GB2929970001	6031735	113
GB19299P0109	6025746	79	GB208B231500	6030259	50, 51, 52	GB2929970002	6031736	113
GB19299P0110	6025749	79	GB208B619901		51	GB2929970003	6031737	115
GB19299P0111	6025747	79	GB2110160100	6030233	48	GB2929970004	6030552	113
GB19299P0112	6025614	79	GB2110510100	6030201	47	GB41103017 23	4342994	67
GB19299P0113	6025615	79	GB2110510112		47	GB41103210	4342806	68
GB19299P0114	6025616	79	GB2110510113		47	GB41103215	4342807	68
GB19299P0116	6025617	79	GB2113000100	6030203	45	GB41103216	4342712	69
GB19299P0201		81	GB2113000111		45	GB41103230	4342802	68
GB19299P0202		81	GB2113000112		45	GB41103235	4342803	68
GB19299P0204		81, 83	GB2113000113		45	GB41103250	4342896	67
GB19299P0206		81, 85, 87, 89, 91, 93	GB2114000100	6030204	45	GB41103305	4342655	69
GB19299P0207		81, 83	GB2114000111		45	GB41103350 15	4342808	68
GB19299P0210		79	GB2114000112		45	GB41103390 23	4342699	67
GB19299P0212		79	GB2114000113		45	GB41103390 46	4342701	67
GB19299S1931	6025632	85	GB2115040100	6031741	45	GB41103390 49	4342704	67
GB19299S3951		87	GB2115040111		45	GB41103615	4342666	69
GB19299T1951	6025808	85, 87, 93	GB2115040112		45	GB41103811 01		33, 34
GB19299T1956	6025807	85, 87, 93	GB2115040113		45	GB41103822 00	7031089	33
GB19299T2800	6024964	93	GB2115704111		46	GB41103823 00	7031091	33
GB19299T2951	6025882	85, 89, 91, 93	GB2115704112		46	GB41103827 00	7031093	33
GB19299T2952	6025883	85	GB2115704113		46	GB41103830 00	7031095	33
GB19299TK960	6025813	85, 89, 91, 93	GB2115710100	6030232	48	GB41103839 00	7031097	33
GB19299TK961	6025831	85, 89, 91, 93	GB2115710113		48	GB41103844 00		34
GB19299TK962		81	GB2115740100	6031739	46	GB41103847 00		34
GB19299TK962	6025812	79, 85, 89, 91, 93	GB2116030100	6030215	46	GB41103850 00		34
GB19299U1931	6025839	87	GB2116030111		46	GB41103880 00L	6021907	31
GB2063160001	6030276	48	GB2116030112		46	GB41103880 00W	6021905	31
GB2063160012		48	GB2116030113		46	GB41103880 41L	6020087	31
GB2063160101	6030273	48	GB2116040100	6031738	46	GB41103880 41W	6020085	31
GB2063160112		48	GB2116040111		46	GB41103880 53L	6020158	31
GB2063160113		48	GB2116040112		46	GB41103880 53W	6020159	31
GB2063165601	6030462	48	GB2116040113		46	GB41203056	4340695	69
GB2063165612		48	GB2116070100	6030221	47	GB41203096	4340696	69
GB2063165613		48	GB2116070111		47	GB41204055	4340767	70
GB2063680001	6030277	49	GB2116070112		47	GB41204056	4340765	70
GB2063680012		49	GB2116070113		47	GB41204057	4340778	70
GB2063680013		49	GB2117000100	6030217	47	GB41204095	4340771	71
GB2063680101	6030264	49	GB2117000111		47	GB41204096	4340766	70
GB2063680112		49	GB2117000112		47	GB41204097	4340779	70
GB2063680113		49	GB2117000113		47	GB41204155 88	4340769	70
GB2063685601	6030461	49	GB2117070100	6030222	47	GB41204155	4340768	70
GB2063685612		49	GB2117070111		47	GB41204195 88	4340773	71
GB2063685613		49	GB2117070112		47	GB41204195	4340772	71
GB2081220100	6030251	50	GB2117070113		47	GB41204956	4340692	72
GB2081220111		50	GB2164130100	6031749	45	GB41204958	4340781	73
GB2081220112		50	GB2164140100	6031751	45	GB41204996	4340693	72
GB2081220113		50	GB2164150100	6031752	45	GB41204998	4340782	73
GB2081380100	6030252	51	GB2164160100	6031753	46, 47	GB41205058 0	4341994	72



ART. NR.	NRF. NR.	SIDE	ART. NR.	NRF. NR.	SIDE	ART. NR.	NRF. NR.	SIDE
GB41205058	4341993	72	GB41219004 23	4340904	63	GB41633860 33		161
GB41205081	4340745	66, 72, 73	GB41219004 46	4340905	63	GB41633860 33	4343121	157, 159, 163, 173,
GB41205098 0	4340795	72	GB41219004 49	4340914	63			177, 179, 185
GB41205098	4341995	72	GB41219051 23	4340365	57	GB41633861 25	4343209	179, 185
GB41205361	4340677	71	GB41219051 46	4340366	57	GB41633877 01	4343196	155, 173, 185, 187
GB41209055 23	4340723	73	GB41219051 49	4340369	57	GB41633952 01		141
GB41209055 46	4340724	73	GB41219151 23	4340303	57	GB41633952 01	4342755	137, 139, 143,
GB41209055 49	4340727	73	GB41219151 46	4340305	57			149, 153, 155
GB41213043	4340391	55	GB41219151 49	4340311	57	GB41633971 02	4343213	159, 175, 177,
GB41213051	4340389	55	GB41219204 23	4341885	62			179, 185
GB41213061	4340392	55	GB41219204 46	4341886	62	GB41633972		141
GB41213081	4340393	58	GB41219204 49	4341889	62	GB41633972	4342754	137, 139, 143, 149,
GB41214004	4340941	64	GB41219223 23	4341901	62			159, 175, 179, 185
GB41214014	4340943	64	GB41219223 46	4341902	62	GB41634002	6301993	66
GB41214023	4340945	65	GB41219223 49	4341906	62	GB41634035 01		141
GB41214024	4340944	64, 71	GB41219224 23	4341892	62	GB41634035 01	4343314	137, 139, 153
GB41214033	4340946	65	GB41219224 46	4341893	62	GB41634045 01	4343295	153
GB41214035	4340947	65	GB41219224 49	4341899	62	GB41634078 01	4342692	153
GB41214041	4340381	55	GB41630129 01		181	GB41634119	4343068	173
GB41214043	4340324	55	GB41630129 01	4343242	149, 155, 179, 185	GB41634140 3301	4343325	185
GB41214045 64	4341166	55	GB41630131 01		141, 155, 161	GB41634157 01	4340713	159, 175, 183, 185
GB41214045	4340302	56	GB41630131 01	4343241	137, 139, 143, 149,	GB41634157	4340713	179
GB41214047 64	4340386	55			153, 155, 159, 171,	GB41634210	4343335	66, 149, 153, 155
GB41214047	4340384	55			173, 177, 179, 185	GB41634470 01	4343166	155, 173, 185
GB41214071	4340501	59	GB41630151	4342811	66, 155	GB41634525	4343118	66
GB41214081	4340325	58	GB41630184	4342624	71, 149	GB41634555 01		141
GB41214085	4340388	56	GB41630191	4342815	66, 155	GB41634555 01	4343123	137, 139, 143,
GB41214141	4340383	56	GB41630194	4342819	66, 155			149, 153, 155, 199
GB41214145	4340502	56	GB41630196	4342977	66, 155	GB41634610	4342911	185
GB41214147	4340387	56	GB41630197	4342975	66, 155	GB41634621 01	4343142	187
GB41214185	4340503	56	GB41630305	4343055	66, 159	GB41634650 01	4343161	187
GB41214245	4341165	56	GB41630770	4342981	66	GB41634680 01	4343144	187
GB41214264	4341163	71	GB41631765 02	4343115	66	GB41634719 01	4343336	189
GB41214904	4341948	61	GB41631830		139, 141, 153	GB41634756 01		141, 151
GB41214924	4341949	61	GB41632625 01	4343344	159, 173	GB41634756 01	4343363	137, 139, 143,
GB41214933	4340995	62	GB41632633 01		161			149, 155, 199
GB41214934	4340323	65	GB41632633 01	4340716	159	GB41634757 01		141, 145
GB41214961	4340357	57	GB41632698 02		141, 145	GB41634757 01	4341962	137, 139, 143,
GB41214981	4340359	59	GB41632698 02	4343096	137, 139, 143,			149, 153, 155, 199
GB41214991	4340358	57			147, 153, 199	GB41634799 0001	4343124	153, 155
GB41215004 0	4341997	60	GB41632731 02	4343216	155, 185	GB41634828 01	4342661	143, 149, 155, 157,
GB41215004	4341996	60	GB41632814 02	4341952	139, 153			159, 163, 173, 175,
GB41215047 0	4340378	56	GB41632815	4341958	139, 153			179, 183, 185, 187
GB41215047	4340377	56	GB41632834	4340715	159, 179	GB41634955 01		187
GB41215087 0	4341998	67	GB41632863 01	4343337	173	GB41635175 01		155
GB41215147	4340379	56	GB41632952 01	4343218	185	GB41635270	4342917	66
GB41215302		199	GB41632952	4343218	179	GB41635410 01	4343154	187
GB41215304	4341932	60, 62	GB41633505 01	4343271	189	GB41635430 01	4342991	155, 173, 185, 187
GB41215324	4341935	60	GB41633506 01	4343272	189	GB41635617 01	4343348	187
GB41215330	4341985	68	GB41633510 01	4343286	189	GB41635633 02		141, 145
GB41215333	4341936	62	GB41633513 01	4343211	155, 173, 185	GB41635633 02	4343065	137, 139, 143,
GB41215335	4341986	68	GB41633614		141			147, 153, 199
GB41215352	4341937	59	GB41633614	4342868	66, 71, 137, 139,	GB41635633 10		141, 145
GB41215387	4341939	60			143, 149, 153, 155	GB41635641		141, 145, 151, 199
GB41215603		199	GB41633616		141	GB41635671 02		173
GB41215604	4341941	59	GB41633616	4342625	66, 137, 139, 143,	GB41635678 8701	4343059	155, 173, 185, 187
GB41215624	4341942	59			149, 153, 155	GB41635680 01	4342669	173, 185
GB41217143	6030265	52, 63	GB41633624		141	GB41635762 3301	4343188	159, 163, 175,
GB41218004	4341008	63	GB41633624	4342626	66, 137, 139, 143,			179, 183, 185
GB41218051 41	4340342	58			149, 153, 155	GB41635790 01	4343189	66, 70, 71, 159,
GB41218051 53	4340399	58	GB41633631		141			179, 185
GB41218051	4340328	58	GB41633631	4342879	65, 66, 137, 139,	GB41635944 01	4342641	66
Gb41218251 41	4340353	58			143, 149, 153, 155	GB41635960	6025681	87
GB41218251 53	4340398	58	GB41633632		141	GB41636246 01	4343353	185
Gb41218251	4340349	58	GB41633632	4342877	65, 66, 137, 139,	GB41636254 00	4343801	191
GB41218302		199			143, 149, 153, 155	GB41636255 00	4343802	191
GB41218304 41	4341977	61	GB41633633		141	GB41636256 00	4343807	191
GB41218304 53	4341989	61	GB41633633	4342878	66, 137, 139, 143,	GB41636257 00	4343808	191
GB41218304	4341975	61			149, 153, 155	GB41636261 00	4343803	191
GB41218324 41	4143984	61	GB41633644		155	GB41636263 00		161
GB41218324 53	4341991	61	GB41633646		155	GB41636263 00	4343804	157, 159, 163,
GB41218324	4341982	61	GB41633651	4342895	185			173, 177, 179, 185
GB41218330	4341882	69	GB41633748	4342656	69	GB41636264 44	43438 05	191
GB41218335	4341944	69	GB41633858	4343177	179, 185	GB41636265 00	4343809	191



ART. NR.	NRF. NR.	SIDE	ART. NR.	NRF. NR.	SIDE	ART. NR.	NRF. NR.	SIDE
GB41636266 00	4343811	64, 191, 193, 195, 199	GB41637337 01	4342676	185	GB41638515 23	4342738	57, 65, 72, 73
GB41636302 02	4343217	173	GB41637347		141	GB41638515 25	4342737	57, 65, 72, 73
GB41636319		173, 185	GB41637347	4343368	137, 139, 143, 149, 153, 199	GB41638515 36	4342739	57, 65, 72, 73
GB41636326 01	4343126	155, 173, 185	GB41637360 01		149	GB41638520 23	4342741	57, 65, 72, 73
GB41636337 01	4343127	173, 187	GB41637360 01	4342627	67, 159, 179, 187	GB41638520 23	4342742	73
GB41636359 01		141, 145	GB41637363 01		159	GB41638520 25	4342743	57, 72, 73
GB41636359 01	4343362	137, 139, 143, 149, 153, 155, 199	GB41637363 01	4342627	149	GB41638520 25	4342742	57, 72
GB41636395 01	4343051	187	GB41637363 01	4342735	179, 187	GB41638520 36	4342744	57, 72, 73
GB41636424 01	4342632	66	GB41637387 01		141	GB41638520 38	4342745	57, 72, 73
GB41636437 01	4342675	185	GB41637387 01	4342717	137, 139, 143, 147, 149, 177, 199	GB41638521 01		175
GB41636440 01	4343175	185	GB41637387 01		141	GB41638525 01	4342786	143
GB41636441 01		185	GB41637389 02	4342718	177	GB41638528 23	4342747	61, 62
GB41636447 01	4342672	187	GB41637393		151, 161, 181	GB41638528 25	4342746	61, 62
GB41636447 01	4346741	173, 185	GB41637393	4342719	177, 187	GB41638528 36	4342748	61, 62
GB41636448 01	4342673	187	GB41637406	4342721	177, 187	GB41638528 38	4342749	61, 62
GB41636448 01	4346742	173, 185	GB41637407	4342722	177, 187	GB41638529 01		143, 145
GB41636457 01	4342772	157, 163, 167, 169, 173	GB41637410	4342723	147, 177	GB41638530 01	4342785	143
GB41636460 01	4342685	147, 153	GB41637415	4342724	177, 187	GB41638542 01	4342788	143
GB41636465 01	4342684	147, 153	GB41637416	4342725	147, 177	GB41638544 01		167
GB41636479 01	4343061	153	GB41637418	4342926	177	GB41638545 01	4342787	143
GB41636480 01	4343062	153	GB41637445		161	GB41638549 01	4342767	163, 175, 183
GB41636575 01		161	GB41637445	4342653	57, 66, 159	GB41638557 01		167, 169
GB41636575 01	4343054	55, 56, 57, 58, 59, 66, 159	GB41637446		159, 161	GB41638560 01	4342773	167, 169
GB41636575 23	6020279	58	GB41637450	4342638	66, 159, 173	GB41638561		167, 169
GB41636575 25	6020278	58	GB41637453	4342651	159, 173	GB41638589		195
GB41636575 41	6020281	58	GB41637561		197	GB41638701 01		181
GB41636577 01		141	GB41637562	4342762	195	GB41638720 01		161
GB41636577 01	4341963	137, 139, 143, 149, 153, 155, 199	GB41637564	4342764	197	GB41638721 02	159, 161, 179, 181, 183	
GB41636596 00	4342687	64, 193	GB41637575	4340714	64, 157, 159, 163, 173, 177, 191	GB41638725 01	4342757	193, 197
GB41636597 44	4342688	193	GB41637577	4342706	197	GB41638726 01	4342756	193
GB41636598 00	4342689	193	GB41637584 01	4342944	197	GB41638727 02	4342759	193
GB41636599 00	4342691	193	GB41637804 01	4342635	67, 139, 153	GB41638728 01	4342761	193
GB41636606 02		173	GB41637810 01	4342636	67, 139, 153, 199	GB41638739 01		167
GB41636617 01	4343347	155, 173, 185, 187	GB41637840 02	4342637	67, 139, 153, 199	GB41638754 01		183
GB41636629 01	4342775	167, 169	GB41637845 02		199	GB41638760	4342781	60
GB41636654 01	4343358	173, 187	GB41638196		179	GB41638760	4342801	61
GB41636726 02		165	GB41638199 01	4342771	159, 163, 179, 185	GB41638860 41	4341992	61
GB41636820	4342905	62, 65, 66, 141, 199	GB41638202	4342752	159, 179	GB41638860 53	4342798	61
GB41636912 01	4343359	173	GB41638220 01	4342768	159, 163, 175, 179, 183, 185	GB41638860		61
GB41636920 01	4342683	187	GB41638224 01	4342769	157, 159, 163, 173	GB41639062 01		157, 175
GB41636920 01	4346745	173	GB41638275 01		145	GB41639066 01		175
GB41637010 01		181	GB41638281 01	4342779	147	GB41639080 01		137
GB41637010 01	4342659	179, 183, 185	GB41638283 01	4342782	147	GB41639097 01		157
GB41637011 01		185	GB41638287 01	4342783	147	GB41639125 01		169
GB41637161 02	4342633	66, 157, 159, 163, 173, 175, 179, 183, 185	GB41638334 01		141, 145	GB41639282 01		145, 151
GB41637164 02	4342643	66	GB41638334 01	4342726	137, 139, 143, 147, 199	GB41639298 01		145, 151
GB41637173	4342677	185	GB41638336 01	4341957	139, 199	GB41639327 01		165
GB41637238 01		171	GB41638339 01		141, 145	GB41639328 01		145, 151
GB41637239 01		171	GB41638339 01	4341959	137, 139, 143, 153	GB41639329 01		165
GB41637240 01		171	GB41638358 01	4342714	177	GB41639330 01		151
GB41637241 01		171	GB41638361 02	4342715	177	GB41639330 23		151
GB41637244		171	GB41638374 01	4342732	179, 185	GB41639331 01		165
GB41637245		171	GB41638375 01	4342731	179, 185	GB41639332 01		165
GB41637250	4343366	67, 149, 159, 179, 187	GB41638390	6030266	52, 63	GB41639332 23		165
GB41637260		177	GB41638429 01		151, 177	GB41639333 41		165
GB41637261 01	4342753	143, 149, 157, 159, 163, 175, 179, 183	GB41638450		181	GB41639333 01		165
GB41637267 01	4343367	143, 149, 157, 159, 163, 175, 179, 183, 187	GB41638450	4342716	179, 183, 185	GB41639334 01		165
GB41637270 01	4342713	159, 173	GB41638453 01		161	GB41639334 23		165
GB41637280 01	4343319	159, 173, 177	GB41638453 01	4340718	157, 159	GB41639335 01		165
GB41637282 01	4342751	159, 167	GB41638457	4342942	66	GB41639336 01		165
GB41637315	4342634	66, 153	GB41638464	4342933	195	GB41639337 01		165
GB41637319		195	GB41638465	4342934	195	GB41639338 01		165
GB41637320	4342734	191	GB41638466	4342935	195	GB41639339 01		145
GB41637326 0	4342776	179, 185	GB41638467	4342936	195	GB41639390 01		145
			GB41638468	4342937	195	GB41639390 23		145
			GB41638472	4342941	195	GB41639390 41		145
			GB41638474 01		179	GB41639439		199
			GB41638509 01		183	GB41639440		195, 199
			GB41638514 01	4342766	143, 163, 183, 187	GB41639441		199
						GB41639442		199
						GB41639443		195, 199
						GB41639444		199
						GB41639445		199
						GB41639446		199
						GB41639453 01		199
						GB41639456 01		199
						GB41639457 01		199
						GB41639485		199
						GB41639500 01		199
						GB41639512		199
						GB41639513		199



ART. NR.	NRF. NR.	SIDE	ART. NR.	NRF. NR.	SIDE	ART. NR.	NRF. NR.	SIDE
GB41639522 01		161, 181	GB71GCMC10GN	7031718	38	U90600361	6030267	52, 63
GB41639523 01		161, 181	GB71GCMC10GR	7031683	38	UCTAP0259		129, 131
GB41639525 01		181	GB71GCMC45DH	7031625	38	UDW0070LOG170W-61	6301633	53
GB41639540 01		181	GB71GCMC45GN	7031727	38	UDW0080LOG170W-61	6301635	53
GB41639541 01		161, 181	GB71GCMC45GR	7031686	38	UDW0080SKA200LN-61	6301619	53
GB41639542 02		141	GB71GCMC60DH	7031626	38	UDW0080SKA200RN-61	6301621	53
GB41639547 01		181	GB71GCMC60GN	7031723	38	UDW0080SKA201LN-61	6301605	53
GB41639565 01		161	GB71GCMC60GR	7031685	38	UDW0080SKA201RN-61	6301606	53
GB41639567 01		161, 181	GB71GCMC80DH	7031629	38	UDW0090SKA200LN-61	6301622	53
GB41639573 01		181	GB71GCMC80GN	7031732	38	UDW0090SKA200RN-61	6301623	53
GB41639574 01		161	GB71GCMC80GR	7031684	38	UDW0090SKA201LN-61	6301607	53
GB41639610 01		181	GB71GCSC6016DH	7031596	37	UDW0090SKA201RN-61	6301608	53
GB43000014 10	4343341	157, 159, 163, 167, 169, 173, 175, 177, 179, 183, 185	GB71GCSC6016GN	7031715	37	UDWDOORKNOB2W-61		135
			GB71GCSC6016GR	7031597	37	UDWDOORKNOBW-61	6301637	119, 121, 123, 125,
			GB71GCSC6032DH	7031599	37	127, 129, 131, 133		
GB43000021 01	4343369	159, 163, 167, 173, 177, 179, 183, 185	GB71GCSC6032GN	7031711	37	UPGUALPALCV		127
			GB71GCSC6032GR	7031601	37	UPGUALPD		125
GB711800220	7031025	38	GB71GCTC16DH	7031577	38	UPGUALPQ		123
GB714810AG00	7031687	39	GB71GCTC16GN	7031706	38	UPGUBP90-01		131
GB714810BL00	7031547	39	GB71GCTC16GR	7031578	38	UPGUBP90-61		131
GB714810DH00	7031548	39	GB71GCTC32DH	7031581	38	UPGUCCT-01		121
GB714810WF00	7031674	39	GB71GCTC32GN	7031703	38	UPGUCCT-61		121
GB714812AG0L	7031693	40	GB71GCTC32GR	7031582	38	UPGUCURSP		129, 133
GB714812AGOR	7031694	40	GB71GCTP1216DH	7031552	37	UPGUDS249		135
GB714812BL0L	7031697	40	GB71GCTP1216GN	7031742	37	UPGUED01020	119, 123, 129, 131, 133	
GB714812BLOR	7031698	40	GB71GCTP1216GR	7031553	37	UPGUED01024		121, 125
GB714812DH0L	7031699	40	GB71GCTP1232DH	7031554	37	UPGUED02063D-01		119, 121
GB714812DHOR	7031701	40	GB71GCTP1232GN	7031746	37	UPGUED02099		125
GB714812WFO0L	7031695	40	GB71GCTP1232GR	7031555	37	UPGUED03030		119, 121, 131
GB714812WFOR	7031696	40	GB71GCTP6016DH	7031603	37	UPGUFY-011		123, 125, 127
GB714860AG00	7031689	39	GB71GCTP6016GN	7031751	37	UPGUFY002-01		119, 121
GB714860BL00	7031678	39	GB71GCTP6016GR	7031604	37	UPGUFY002-61		119, 121
GB714860DH00	7031609	39	GB71GCTP6032DH	7031605	37	UPGUGHD		129, 131, 133
GB714860WFO0	7031639	39	GB71GCTP6032GR	7031606	37	UPGUINSKALC		127
GB714870BO00	7031586	40	GB71GCTP6032GR	7031737	37	UPGUINSKBW-01		129, 131
GB714870DH00	7031624	40	GB71GCVU10DH00	7031643	36	UPGUINSKBW-61		129, 131
GB714870WFO0	7031634	40	GB71GCVU10GN00	7031745	36	UPGUINSKCU-01		129, 133
GB7148801000		41	GB71GCVU10GR00	7031644	36	UPGUINSKCU-61		129, 133
GB7148801000U		41	GB71GCVU45DH00	7031635	36	UPGUINSKGD-01		121
GB7148801200	7031623	41	GB71GCVU45GN00	7031749	36	UPGUINSKGD-61		121
GB7148801200U	7031622	41	GB71GCVU45GR00	7031636	36	UPGUINSKGO-01		119
GB7148806000	7031538	41	GB71GCVU60DH00	7031637	36	UPGUINSKGO-61		119
GB7148806000U	7031539	41	GB71GCVU60GN00	7031741	36	UPGUINSKJD-61		123, 125
GB7148808000	7031632	41	GB71GCVU60GR00	7031638	36	UPGUINSKLO-01		131
GB7148808000U	7031631	41	GB71GCVU80DH00	7031641	36	UPGUINSKLO-61		131
GB714880AG00	7031691	39	GB71GCVU80GN00	7031736	36	UPGUINWF7201		135
GB714880BL00	7031615	39	GB71GCVU80GR00	7031642	36	UPGUMAGSP		127
GB714880DH00	7031616	39	GB8118000002	7031022	111	UPGUPCC80-01		133
GB714880WFO0	7031671	39	GB8128000100	7031019	111	UPGUPCC90-01		129
GB71488810BO	7031522	40	GB8148300001	7031035	111	UPGUPCC90-61		129, 133
GB71488810DH	7031524	40	GB88170401	6026755	31	UPGURSPG-6		119, 131
GB71488812BO	7031619	40	GB88170701	6026758	31	UPGURSPG-8		121
GB71488812DH	7031621	40	GB88170801	6026759	31	UPGUSWD-6		123
GB71488860BO	7031515	40	GB88171101	6026763	20	UPGUSWD-8-L		123, 127
GB71488860DH	7031517	40	GB88171201	6026764	20	UPGUSWD-8		125, 127
GB71488880BO	7031627	40	GB881712101	6025968	20	UPGUTFQ		131
GB71488880DH	7031628	40	GB88171301	6026765	20	UPGUTFS		129, 133
GB7148DR10		39	GB88171401	6026766	20	UPGUTHJ		123, 125, 127
GB7148DR60		39, 40	GB88171501	6026767	20	UPGUTHWF7201		135
GB7148DR80		39	GB88171701	6026769	20	UPGUWDWF7201		135
GB71A47900E4	7031533	35	GB88301801	6025628	20	UPGUWH-6-61/2	119, 121, 129, 131, 133	
GB71A47900E9	7031534	35	GB88305100	6025705	19	UPGUWH-8-61/2		121
GB71B032E4WB	7031535	35	GB88305101	6025611	19	UPGUYDG262-337	6301543	53
GB71B032E4WBN	7031537	35	GB88305500	6025636	19	UPGUYDG262-69-01		133
GB71B032E9WB	7031536	35	GB88305501	6025637	19	UPGUYDG262-69-61		133
GB71B03300E4	7031531	35	GB88306000	6025758	79			
GB71B03300E9	7031532	35	GB88306001	6025429	19			
GB71GCCL30	7031584	38	GB88306004	6025431	19			
GB71GCCL50	7031593	38	GB88306015	6025432	19			
GB71GCDR10	7031617	36	GB88306036	6025434	19			
GB71GCDR45	7031587	36	GB88306051	6025759	85			
GB71GCDR60	7031594	36	GB8830700001	6025662	15			
GB71GCDR80	7031613	36	GB8830701001	6025663	15			
GB71GCMC10DH	7031633	38	GB8830709101	6025664	15			

Gulvklosetter med Hygienic Flush

	NRF. NR.	ART. NR.	VEIL. PRIS EKS. MVA.	VEIL. PRIS INKL. MVA.
<p>Nautic 1500 Hygienic Flush Toalett med skjult S-lås og åpen spylekant</p> <p>2/4 ltr u/sete, lav spyleknapp 2/4 ltr u/sete for liming, lav spyleknapp 2/4 ltr u/sete, C+, lav spyleknapp 2/4ltr m/sete SC/QR, C+, for liming</p>	6022943 6023043 6022944 6022298	GB111500201304 GB111500201303G GB1115002R1304 GB1115002R1331G	3.388 3.388 4.264 5.401	4.235 4.235 5.330 6.751
<p>Nautic 1510 Hygienic Flush Toalett med skjult P-lås og åpen spylekant</p> <p>2/4 ltr u/sete, lav spyleknapp 2/4 ltr u/sete, C+, lav spyleknapp 4 ltr u/sete, høy spyleknapp</p>	6022301 6022307 6022302	GB111510201304 GB1115102R1304 GB111510401205	3.923 4.822 3.908	4.904 6.028 4.885
<p>Nautic 1546 Toalett med skjult S-lås og åpen spylekant, høy modell</p> <p>2/4 ltr u/sete, høy spyleknapp 2/4 ltr u/sete, lav spyleknapp 2/4 ltr u/sete, C+, høy spyleknapp 4 ltr u/sete, høy spyleknapp</p>	6023039 6023045 6023041 6023042	GB111546201203 GB111546201304 GB1115462R1203 GB111546401205	5.498 5.498 6.506 5.498	6.873 6.873 8.133 6.873
<p>Nautic 1591 Toalett med åpen S-lås og åpen spylekant, stor fot</p> <p>2/4 ltr u/sete, høy spyleknapp 2/4 ltr u/sete, lav spyleknapp</p>	6022308 6023044	GB111591201203 GB111591201303	3.417 3.417	4.271 4.271
<p>Estetic 8300 med skjult S/P-lås, u/skruehull, for liming. Toalett med åpen spylekant, 2/4 ltr, C+</p> <p>Hvit inkl sete med SC/QR Matt hvit inkl sete med SC/QR Sort inkl sete med SC/QR</p> <p>Estetic 8300 med skjult S/P-lås, m/skruehull. Toalett med åpen spylekant, 2/4 ltr, C+</p> <p>Hvit inkl sete med SC/QR Hvit inkl sete med faste hengsler Matt hvit inkl sete med SC/QR</p>	6022977 6022311 6022979 6022981 6022983 6022309	GB1183002R1231G GB1183002RW231G GB1183002S0231G GB1183002R1231 GB1183002R1221 GB1183002RW231	6.973 7.676 7.676 6.973 6.855 7.676	8.716 9.595 9.595 8.716 8.569 9.595

Gulvklosetter

	NRF. NR.	ART. NR.	VEIL. PRIS EKS. MVA.	VEIL. PRIS INKL. MVA.
	6022909	GB113500301203	2.699	3.374
<p>Nordic³ 3500 toalett, skjult S-lås, 3/6 ltr.</p>				
	6022926	GB113510301203	3.012	3.765
<p>Nordic³ 3510 toalett, P-lås, 3/6 ltr.</p>				
	6023011 6023013	GB115500301203 GB115500301203G	3.082 3.235	3.853 4.044
<p>Nautic toalett 5500, skjult S-lås</p> <p>3/6 ltr 3/6 ltr,u/skruehull, f/liming</p>				
Barnetoalett				
	6022911	GB1030510152	6.272	7.840
<p>Barnetoalett 305, S-lås, m/hvitt sete u/lokk</p> <p>6 ltr. m/hvitt standardsete, u/lokk</p>				
Tilleggsutstyr toaletter				
	6025669	GB19299NV036	916	1.145
<p>Vandalsikker trykknapp, enkelspyling, Rustfritt/sort</p>				
	6025701 6025704	GB1927634600 GB1927569710	1.681 1.681	2.101 2.101
<p>Forhøyningssokler på +6 cm</p> <p>Passer til toalett 2300 Passer til toalett 2310</p>				

	NRF. NR.	ART. NR.	VEIL. PRIS EKS. MVA.	VEIL. PRIS INKL. MVA.
<p>Forhøyningssokler på +4 cm Passer til Nautic toalett 5500 og 1500HF</p>	6025662	GB8830700001	1.681	2.101
<p>Passer til Nautic toalett 5510 og 1510FH</p>	6025663	GB8830701001	1.681	2.101
<p>Passer til Nautic toalett 5591 og 1591HF</p>	6025664	GB8830709101	1.681	2.101
<p>Monteringsstativ f/vegghengt toalett og bide. Kun veggfester. Tilleggsutstyr toaletter</p> <p>Toalettcran m/sil og halvkobling Nautic vandalsikker trykknapp, enkelsyling, rustfritt/sort</p>	6023007	GB19211000510	1.576	1.970
	6025675 6025669	GB1929900503 GB19299NV036	128 916	160 1.145
Veggmonterte toaletter				
<p>Nautic 1522 Hygienic Flush Veggskål med utvendig sisterne Åpen spylekant og høy spyleknapp</p> <p>2/4 ltr u/sete, høy spyleknapp 2/4 ltr u/sete, lav spyleknapp 2/4 ltr u/sete, C+, høy spyleknapp 2/4 ltr u/sete, C+, lav spyleknapp 4 ltr u/sete, høy spyleknapp</p>	6023037 6023046 6023036 6023047 6023038	GB111522201203 GB111522201304 GB1115222R1203 GB1115222R1304 GB111522401205	5.401 5.401 6.278 6.278 5.401	6.751 6.751 7.848 7.848 6.751
<p>GB 339 veggskål, m/utv.sisterner 3/6 ltr., skjult P-lås Monteringsstativ f/vegghengt toalett og bide. Kun veggfester.</p>	6022924 6023007	GB1033930104 GB19211000510	6.474 1.576	8.093 1.970

* Utbytesmodell. Anslutningsmått enl. tidligere Svensk standard

Veggskåler med Hygienic Flush

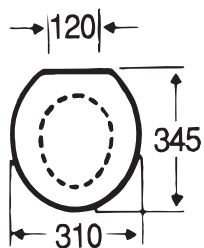
	NRF. NR.	ART. NR.	VEIL. PRIS EKS. MVA.	VEIL. PRIS INKL. MVA.
<p>Estetic 8330 med åpen spylekant, C+</p> <p>Hvit inkl hardplastsete med SC/QR Hvit matt inkl. hardplastsete SC/QR Sort inkl sete med SC/QR Hvit inkl sete med faste hengsler</p>	6023652 6023653 6023654 6023655	GB1183300R1030 GB1183300RW030 GB1183300S0030 GB1183300R1020	4.529 5.663 5.663 4.195	5.661 7.079 7.079 5.244
<p>Hygienic Flush 5G84 med åpen spylekant</p> <p>Uten sete Med hvitt soft-Close og Quick-release sete</p>	6022997 6022998	5G84R001 5G84HR01	2.103 3.292	2.629 4.115
<p>Care 4G95 Hygienic Flush Med åpen spylekant, 46cm høy modell</p> <p>Uten sete</p>	6023618	4G95R001	3.255	4.069
<p>Care 4G01 Hygienic Flush Med åpen spylekant, 70cm lang modell</p> <p>Uten sete</p>	6023617	4G01R001	3.542	4.428
Veggskåler				
<p>Nordic³ veggskål 3530</p>	6023613	GB113530001000	1.441	1.801
<p>Nautic veggskål 5530</p> <p>5530 veggskål 5530 veggskål, C+</p>	6023034 6023035	GB115530001000 GB1155300R1000	1.565 2.378	1.956 2.973
<p>Artic veggskål 4330</p> <p>Med hvitt sete, SC/QR Med hvitt sete, SC/QR, C+ Sort veggskål med sort hardplast sete med SC/QR. Med C+</p>	6022916 6022932	GB114330201231 GB1143302R1231 GB114330BLACK	4.533 5.348 7.713	5.666 6.685 9.641
<p>Saval 2.0 veggskål</p>	6023612	7G061001	1.251	1.564

Toalettseter

	NRF. NR.	ART. NR.	VEIL. PRIS EKS. MVA.	VEIL. PRIS INKL. MVA.
<p>Seter til Nordic³/Saval 2.0</p> <p>Nordic³ hvitt propensete Hvitt hardplastsete Hvitt soft-Close og Quick-release sete</p>	6025456 6096502 6025471	9M646101 8780G101 8780S101	228 621 1.095	285 776 1.369
<p>Passer til samtlige toaletter i Nautic-serien</p> <p>Standard propensete, hvit Lux-sete, hardplast, hvitt, rustfrie fester Lux-sete, hardplast, hvitt, SC/QR Lux-sete, hardplast, sort, SC/QR</p>	6025425 6025426 6025427 6025428	9M246101 9M256101 9M26S101 9M26S136	236 709 1.131 1.498	295 886 1.414 1.873
<p>Logic toalettseter</p> <p>Hardplast, hvitt, rustfrie fester Hardplast, hvitt, SC Hardplast, sort, SC</p>	6025517 6025511 6025404	9M016101 9M11S101 9M11S136	894 1.303 1.706	1.118 1.629 2.133
<p>9M10 Estetic gulvtoalettsete</p> <p>Hvit hardplastsete med SC/QR Matt hvit hardplastsete med SC/QR Sort hardplastsete med SQ/QR Hvit hardplastsete med faste hengsler</p> <p>9M09 Estetic veggskålsete</p> <p>Hvit hardplastsete med SC/QR Matt hvit hardplastsete med SC/QR Sort hardplastsete med SQ/QR Hvit hardplastsete med faste hengsler</p>	6025459 6025462 6025461 6025463 6025464 6025466 6025465 6025467	9M10S101 9M10S1S3 9M10S136 9M106101 9M09S101 9M09S1S3 9M09S136 9M096101	1.530 2.135 2.135 1.098 1.407 2.035 2.035 1.079	1.913 2.669 2.669 1.373 1.759 2.544 2.544 1.349
<p>Sete til Care 4G01/4G95</p> <p>Hvit hardplastsete med faste hengsler Hvit hardplastsete med SC/QR</p>	6025469 6025445	9M676101 9M38S101	1.151 1.073	1.439 1.341
<p>Artic/HygienicFlush</p> <p>Hardplastsete med SC/QR</p> <p>Hvitt Sort</p>	6025508 6025509	9M16S101 9M16S136	1.730 2.135	2.163 2.669

		NRF. NR.	ART. NR.	VEIL. PRIS EKS. MVA.	VEIL. PRIS INKL. MVA.		
	Kompletterende seter Nordic seter til 390-serien						
	Propensete, hvitt, m/lokk Hardplast lux-sete f/325, m/lokk	6025412 6025415	GB1919901702 GB1919901900	228 932	285 1.165		
		Hvitt lux-sete m/rustfrie fester f/390 Sort lux-sete m/rustfrie fester f/390 Hvitt f/390 m/plastfester	6025414 6025514 6025421	GB1919901950 GB1919901960 GB1919901201	920 1.320 592	1.150 1.650 740	
			Hvitt propensete f/325	6025411	GB1929900226	304	380
			Hvitt propensete f/315	6025408	GB1929900227	348	435
		Setene passer til 2300, 2310, 2320, 2330, 2350 og 2391					
		Standard propensete, hvit	6096503	GB1919902002	228	285	
		Lux-sete, hvitt, rustfrie fester Hardplastsete, hvitt, rustfrie fester Lux-sete, hvitt, SC Lux-sete, sort, SC Skandic/Classic toalettseter	6096504	GB1919902070	884	1.105	
6096505			GB1919901211				
6025507			GB1919902055	1.131	1.414		
6025405			GB1919902065	1.421	1.776		
			Hardplast, hvitt, rustfrie fester Hardplast, sort, rustfrie fester	6025419	GB1919901601	1.320	1.650
	6025513	GB1919901610		1.568	1.960		

Barnetoalettsete



Hvitt propensete f/305, m/lokk
Hvitt propensete f/305, u/lokk

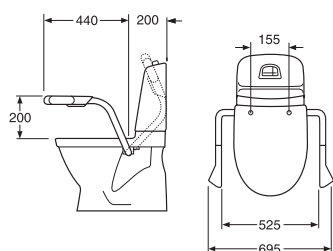
NRF. NR.
6025406
6025407

ART. NR.
GB1919900910
GB1919901286

VEIL. PRIS
EKS. MVA.
1.169
304

VEIL. PRIS
INKL. MVA.
1.461
380

Care Basic



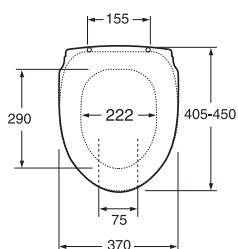
Nordic/Nautic armstøtte f/2300/5530
serien med hvitt sete
Nordic armstøtte f/2300- serien uten sete
Nautic Care 3055 armstøtte f/5500-serien
og 1500-serien u/ sete
Nautic 3055 armstøtte f/5500-serien
og 1500-serien m/hvitt sete

6025611
6025705
6025636
6025637

GB88305101
GB88305100
GB88305500
GB88305501

5.658
4.685
4.039
4.958

7.073
5.856
5.049
6.198



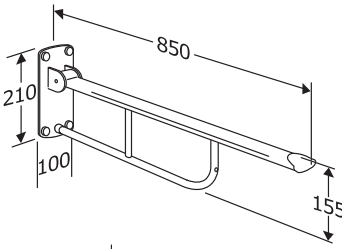
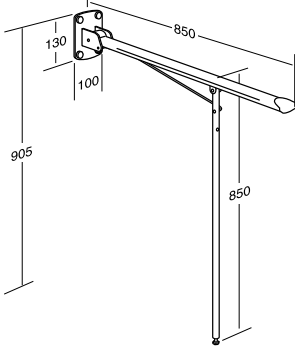
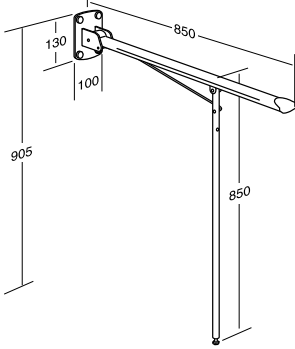
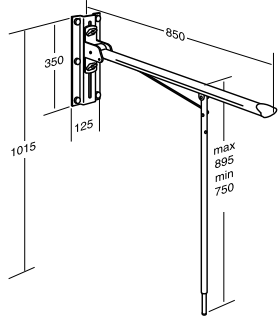
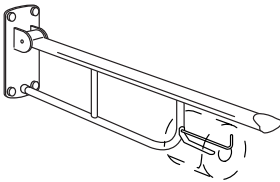
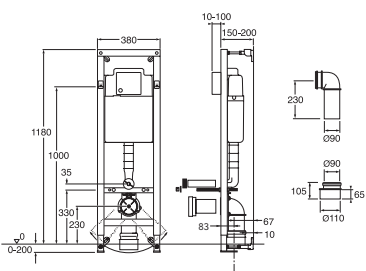
Nautic 3060 Care sete Diana, hvitt
Nautic 3060 Care sete Diana, rød
Nautic 3060 Care sete Diana, blått
Nautic 3060 Care sete Diana, sort

6025429
6025431
6025432
6025434

GB88306001
GB88306004
GB88306015
GB88306036

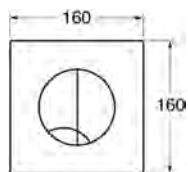
1.299
1.343
1.343
1.343

1.624
1.679
1.679
1.679

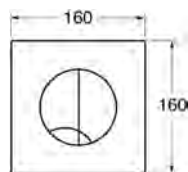
	NRF. NR.	ART. NR.	VEIL. PRIS EKS. MVA.	VEIL. PRIS INKL. MVA.
 <p>1711 Armstøtte u/støtteben f/veggmontering</p>	6026763	GB88171101	2.896	3.620
 <p>1712 Armstøtte m/støtteben f/veggmontering 90,5 cm høy</p>	6026764	GB88171201	2.821	3.526
 <p>1712 Armstøtte m/støtteben f/veggmontering 80 cm høy</p>	6025968	GB881712101	2.821	3.526
 <p>1713 Armstøtte m/teleskopben f/veggmontering</p>	6026765	GB88171301	3.901	4.876
 <p>Papirholder f/armstøtte Papirholder f/Nordic/Nautic-armstøtte Papirholder f/Nordic/Nautic-armstøtte Papirholder f/armstøtte Støtتهåndtak 306 mm Støtتهåndtak 612 mm</p>	6026766 6025628 6025628 6026766 6026767 6026769	GB88171401 GB88301801 GB88301801 GB88171401 GB88171501 GB88171701	369 200 200 369 291 430	461 250 250 461 364 538
Triomont innbyggingsystemer og trykkplater for veggmonterte klosetter				
 <p>Triomont XS, høy modell</p> <p>For veggmontert, mekanisk spyling enkel el. dobbel, 3 ltr eller 6/3 ltr. For veggmontert, mekanisk spyling enkel el. dobbel, 4,5 ltr eller 3/4,5 ltr. For veggmontert, pneumatisk spyling, enkel 6 ltr. el. dobbel 6/3 ltr.</p> <p>SafeBag gir beskyttelse mot lekkasje når stativet monteres på et sted u/ våtromssikring</p> <p>Monteringssett; veggfester Monteringssett for hjørnemontering Triomont ombygningsdel for XS og XT fra mekanisk til pneumatisk</p>	6025926 6024305 6025641 6025927 6025928 6025626	GB1921102020 GB1921102026 GB1921102021 GB1921102034 GB1921102027 GB1921102029 GB1921100394	2.881 2.881 3.282 1.237 228 228 366	3.601 3.601 4.103 1.546 285 285 458

	NRF. NR.	ART. NR.	VEIL. PRIS EKS. MVA.	VEIL. PRIS INKL. MVA.
<p>Triomont XT, lav modell</p> <p>For toppmontert, mekanisk spyling enkel el. dobbel Monteringssett; veggfester Monteringssett for hjørnemontering Triomont ombygningsdel for XS og XT fra mekanisk til pneumatisk</p>	6025643	GB1921102024	3.057	3.821
	6025927	GB1921102027	228	285
	6025928	GB1921102029	228	285
	6025626	GB1921100394	366	458
<p>Triomont XS Vario for mekaniske trykkplater (se XS monteringsstativ) for veggmontering. Justerbar høyde av toalettet etter montering.</p> <p>Høy modell for montering mot vegg eller i hjørne Monteringssett; veggfester Monteringssett for hjørnemontering</p>	6025642	GB1921102022	7.527	9.409
	6025927	GB1921102027	228	285
	6025928	GB1921102029	228	285
Bidéer				
<p>5598 Nautic bidé</p> <p>for veggmontering for veggmontering, C+</p> <p>5599 Nautic bidé</p> <p>for gulvmontering for gulvmontering, C+</p>	6028611	55989901	3.865	4.831
	6028612	559899R1	4.710	5.888
	6028613	55999901	3.362	4.203
	6028614	559999R1	4.209	5.261
Urinaler				
<p>7G50 urinal, inkl. festedetaljer åpen vanntilkobling Vannlås f/gulv (vertikalt) Vannlås f/vegg (horisontalt)</p>	6030004	7G500001	2.900	3.625
	6028622	93270000	672	840
	6028621	93260000	672	840
<p>7G51 urinal, inkl. festedetaljer skjult vanntilkobling Vannlås f/gulv (vertikalt) Vannlås f/vegg (horisontalt)</p> <p>9932 00 Tilkoblingsnippel for åpen vanntilkobling 9933 00 Tilkoblingsrør for skjult vanntilkobling</p>	6030005	7G510001	2.900	3.625
	6028622	93270000	672	840
	6028621	93260000	672	840
	6030037	99320000	262	328
6030038	99330000	436	545	

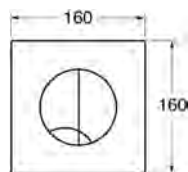
Spyleknapper for dobbelspyling
Triomont XS, 3/6 ltr. eller 4,5/3 ltr



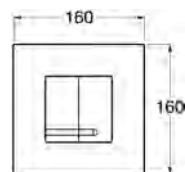
Hvit, plast
ART-nr GB1921102035
NRF-nr 6025933
Pris eks. mva. 415 kr.
Pris inkl. mva. 519



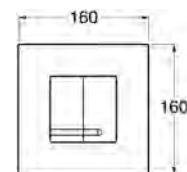
Matt forkrommet, plast
ART-nr GB1921102036
NRF-nr 6025934
Pris eks. mva. 581 kr.
Pris inkl. mva. 726 kr.



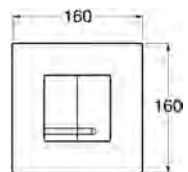
Blank forkrommet, plast
ART-nr GB1921102037
NRF-nr 6025935
Pris eks. mva. 536 kr.
Pris inkl. mva. 670 kr.



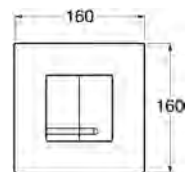
Hvit, plast
ART-nr GB1921102052
NRF-nr 6025647
Pris eks. mva. 428 kr.
Pris inkl. mva. 535 kr.



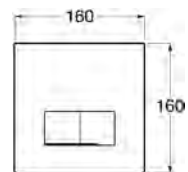
Blank forkrommet, plast
ART-nr GB1921102053
NRF-nr 6025648
Pris eks. mva. 549 kr.
Pris inkl. mva. 686 kr.



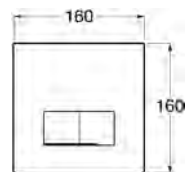
Hvit, metall u/ logo
ART-nr GB1921102045
NRF-nr 6025939
Pris eks. mva. 1.799 kr.
Pris inkl. mva. 2.249 kr.



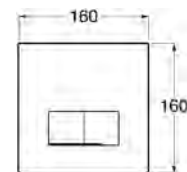
Blank forkrommet metall, u/ logo
ART-nr GB1921102047
NRF-nr 6025942
Pris eks. mva. 2.026 kr.
Pris inkl. mva. 2.533 kr.



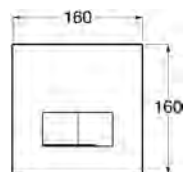
Rustfritt stål
ART-nr GB1921102054
NRF-nr 6025649
Pris eks. mva. 1.882 kr.
Pris inkl. mva. 2.353 kr.



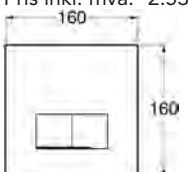
Rustfritt stål, m/ V&B logo
ART-nr GB1921102055
NRF-nr 6025823
Pris eks. mva. 1.882 kr.
Pris inkl. mva. 2.353 kr.



Hvit, glass
ART-nr GB1921102056
NRF-nr 6025974
Pris eks. mva. 2.293 kr.
Pris inkl. mva. 2.866 kr.

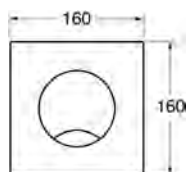


Sort, glass
ART-nr GB1921102057
NRF-nr 6025975
Pris eks. mva. 2.293 kr.
Pris inkl. mva. 2.866 kr.

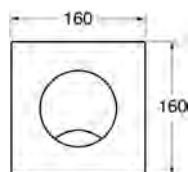


Aluminum
ART-nr GB1921102058
NRF-nr 6025976
Pris eks. mva. 2.293 kr.
Pris inkl. mva. 2.866 kr.

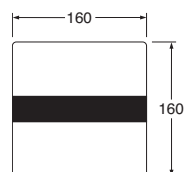
Spyleknapper for enkelspyling
Triomont XS, 6 ltr. eller 4,5



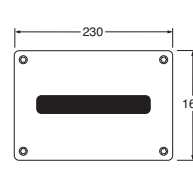
Hvit, plast
ART-nr GB1921102030
NRF-nr 6025929
Pris eks. mva. 415 kr.
Pris inkl. mva. 519 kr.



Blank forkrommet, plast
ART-nr GB1921102032
NRF-nr 6025932
Pris eks. mva. 536 kr.
Pris inkl. mva. 670 kr.

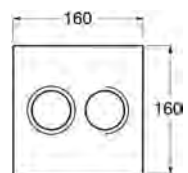


Hvit, plast
ART-nr GB1921102070
NRF-nr 6025969
Pris eks. mva. 3.315 kr.
Pris inkl. mva. 4.144 kr.

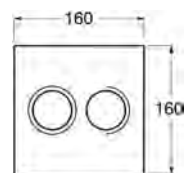


For offentlig miljøer, rustfritt
ART-nr GB1921102071
NRF-nr 6025971
Pris eks. mva. 5.203 kr.
Pris inkl. mva. 6.504 kr.

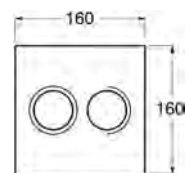
Pneumatisk trykknapper for dobbelspyling
Triomont XS, 3/6 ltr



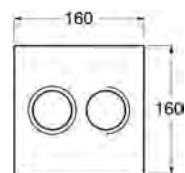
Hvit, plast
ART-nr GB1921102060
NRF-nr 6025651
Pris eks. mva. 592 kr.
Pris inkl. mva. 740 kr.



Blank forkrommet, plast
ART-nr GB1921102061
NRF-nr 6025652
Pris eks. mva. 780 kr.
Pris inkl. mva. 975 kr.

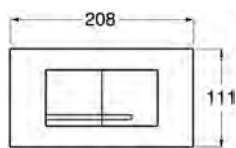


Hvit, glass
ART-nr GB1921102066
NRF-nr 6025653
Pris eks. mva. 2.148 kr.
Pris inkl. mva. 2.685 kr.

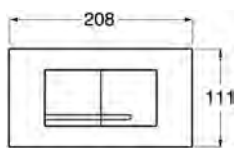


Sort, glass
ART-nr GB1921102067
NRF-nr 6025654
Pris eks. mva. 2.148 kr.
Pris inkl. mva. 2.685 kr.

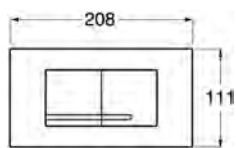
Spyleknapper for toppmontering, dobbelspyling
Triomont XT, lav modell, 3/6 ltr



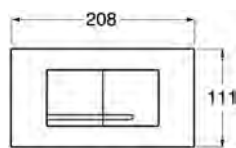
Hvit, plast
 ART-nr GB1921102080
 NRF-nr 6025655
 Pris eks. mva. 430 kr.
 Pris inkl. mva. 538 kr.



Blank forkrommet, plast
 ART-nr GB1921102081
 NRF-nr 6025656
 Pris eks. mva. 549 kr.
 Pris inkl. mva. 686 kr.

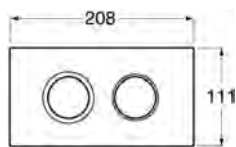


Hvit, glass
 ART-nr GB1921102082
 NRF-nr 6025977
 Pris eks. mva. 2.293 kr.
 Pris inkl. mva. 2.866 kr.

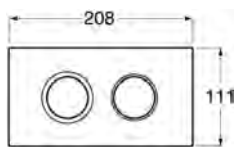


Sort, glass
 ART-nr GB1921102083
 NRF-nr 6025978
 Pris eks. mva. 2.293 kr.
 Pris inkl. mva. 2.866 kr.

Pneumatiske spyleknapper for toppmontering, dobbelspyling
Triomont XT, lav model, 3/6 ltr

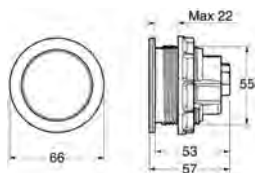


Hvit, plast
 ART-nr GB1921102085
 NRF-nr 6025657
 Pris eks. mva. 592 kr.
 Pris inkl. mva. 740 kr.



Blank forkrommet, plast
 ART-nr GB1921102086
 NRF-nr 6025658
 Pris eks. mva. 780 kr.
 Pris inkl. mva. 975 kr.

Pneumatisk trykknapp for enkelspyling
For samtlige modeller av triomont, 6 ltr



Rustfritt stål
 ART-nr GB1921102092
 NRF-nr 6025659
 Pris eks. mva. 780 kr.
 Pris inkl. mva. 975 kr.

Nordic³ servanter

	NRF. NR.	ART. NR.	VEIL. PRIS EKS. MVA.	VEIL. PRIS INKL. MVA.
	6021222	41005001	671	839
	6021223	41005501	625	781

Nautic servanter

	5540 Nautic servant for boltmontering 400x275 mm			
armaturhull høyre armaturhull høyre, C+ armaturhull venstre armaturhull venstre, C+ u/armaturhull u/armaturhull, C+	6020201 6020202 6020203 6020204 6020205 6020206	55409R01 55409RR1 55409L01 55409LR1 55409701 554097R1	1.063 1.880 1.063 1.880 1.063 1.880	1.329 2.350 1.329 2.350 1.329 2.350
	5550 Nautic servant for bolt/bærejern 500x380 mm			
med armaturhull med armaturhull, C+ uten armaturhull uten armaturhull, C+ uten overløp uten overløp, C+	6020207 6020208 6020209 6020211 6020212 6020213	55509901 555099R1 55509701 555097R1 55509801 555098R1	775 1.522 1.009 1.826 1.009 1.826	969 1.903 1.261 2.283 1.261 2.283
	5556 Nautic servant for bolt/bærejern 560x430 mm			
med armaturhull med armaturhull, C+ uten armaturhull uten armaturhull, C+ uten overløp uten overløp, C+ uten armaturhull og overløp uten armaturhull og overløp, C+	6020216 6020217 6020218 6020219 6020221 6020222 6020223 6020224	55569901 555699R1 55569701 555697R1 55569801 555698R1 55569M01 55569MR1	734 1.457 864 1.682 864 1.682 864 1.682	918 1.821 1.080 2.103 1.080 2.103 1.080 2.103

	NRF. NR.	ART. NR.	VEIL. PRIS EKS. MVA.	VEIL. PRIS INKL. MVA.	
	5560 Nautic servant for bolt/bærejern 600x460 mm				
	med armaturhull	6020225	55609901	864	1.080
	med armaturhull, C+	6020226	556099R1	1.682	2.103
	uten armaturhull	6020227	55609701	864	1.080
	uten armaturhull, C+	6020228	556097R1	1.682	2.103
	uten overløp	6020229	55609801	864	1.080
	uten overløp, C+	6020231	556098R1	1.682	2.103
uten armaturhull og overløp	6020232	55609M01	864	1.080	
uten armaturhull og overløp, C+	6020233	55609MR1	1.682	2.103	
	5565 Nautic servant for bolt/bærejern-montering, 650x500 mm				
	med armaturhull	6020234	55659901	1.921	2.401
	med armaturhull C+	6020235	556599R1	2.738	3.423
	uten armaturhull	6020236	55659701	1.921	2.401
	uten armaturhull, C+	6020237	556597R1	2.738	3.423
	uten overløp	6020238	55659801	1.921	2.401
	uten overløp, C+	6020239	556598R1	2.738	3.423
uten armaturhull og overløp	6020241	55659M01	1.921	2.401	
uten armaturhull og overløp, C+	6020242	55659MR1	2.738	3.423	
	5570 Nautic servant for bolt/bærejern 700x500 mm				
	med armaturhull	6020243	55709901	2.148	2.685
	med armaturhull, C+	6020244	557099R1	2.966	3.708
	uten overløp	6020245	55709801	2.148	2.685
	uten overløp, C+	6020246	557098R1	2.966	3.708
	uten armaturhull og overløp	6020247	55709M01	2.148	2.685
	uten armaturhull og overløp, C+	6020248	55709MR1	2.896	3.620
	5545 Nautic oval servant for nedfelling 450x360 mm				
	for nedfelling	6020249	55459901	2.014	2.518
	for nedfelling, C+	6020251	554599R1	2.762	3.453
	uten overløp	6020252	55459801	2.014	2.518
	uten overløp, C+	6020253	554598R1	2.762	3.453
	5555 Nautic oval servant for nedfelling 550x440 mm				
	for nedfelling	6020254	55559901	2.014	2.518
	for nedfelling, C+	6020255	555599R1	2.762	3.453
	uten overløp	6020256	55559801	2.014	2.518
	uten overløp, C+	6020257	555598R1	2.762	3.453

Nautic søyler

	NRF. NR.	ART. NR.	VEIL. PRIS EKS. MVA.	VEIL. PRIS INKL. MVA.
<p>2920 Nautic søyle i porselen til servant 5550, 5556, 5560 og 5570</p>	6020703	GB1129200100	2.014	2.518
<p>2930 Nautic halvsøyle i porselen til servant 5556, 5560, 5565 og 5570</p>	6021127	GB1129300100	1.946	2.433
<p>5295 Nautic halvsøyle i porselen til servant 5550</p>	6020711	52959901	1.946	2.433

Estetic servanter og søyler

<p>410350 Estetic for boltmontering, C+ 500x420 mm</p> <p>Hvit Hvit matt Sort</p>	6020181 6020292 6020183	410350R1 410350RW 410350S0	2.643 3.304 3.304	3.304 4.130 4.130
<p>410360 Estetic for boltmontering, C+ 610x485 mm</p> <p>Hvit Hvit matt Sort</p>	6020184 6020293 6020186	410360R1 410360RW 410360S0	2.767 3.461 3.461	3.459 4.326 4.326
<p>7273 Helsøyle i porselen Til servant 410360 Servanten må monteres eksakt etter søylens høyde</p> <p>Hvit Hvit matt Sort</p>	6020187 6020294 6020188	72730001 727300RW 72730036	1.761 2.139 2.139	2.201 2.674 2.674
<p>7297 Halvsøyle i porselen Til servant 410360</p> <p>Hvit Hvit matt Sort</p>	6020191 6020295 6020192	72970001 729700RW 72970036	2.013 2.518 2.518	2.516 3.148 3.148

Artic servanter og søyler

	NRF. NR.	ART. NR.	VEIL. PRIS EKS. MVA.	VEIL. PRIS INKL. MVA.
<p>4450 Artic håndvask for bolt/bærejern 450x370 mm</p> <p>med overløp</p>	6020113	GB1144500101	1.614	2.018
<p>4550 Artic håndvask for bolt/bærejern 550x440 mm</p> <p>med overløp</p>	6020111	GB1145500101	1.633	2.041
<p>4600 Artic servant for bolt/bærejern 600x465 mm</p> <p>med overløp</p>	6020115	GB1146000101	1.749	2.186
<p>5197 Logic servant for bolt/bærejern 500x265 mm</p> <p>med overløp og hull høyre med overløp og hull høyre, C+ med overløp og hull venstre med overløp og hull venstre, C+</p>	6020125 6020126 6020127 6020128	51979R01 51979RR1 51979L01 51979LR1	975 1.794 975 1.794	1.219 2.243 1.219 2.243
<p>5198 Logic asymmetrisk hjørneservant for boltmontering, 570x370 mm</p> <p>med overløp med overløp, C+</p>	6020129 6020131	51989901 519899R1	1.122 1.942	1.403 2.428

Kompletterende servanter

	NRF. NR.	ART. NR.	VEIL. PRIS EKS. MVA.	VEIL. PRIS INKL. MVA.	
	590-2 f/bolt/bærejern, 560x430mm med overløb	6020064	GB1059020101	625	781
	590-3 f/bolt/bærejern, 490x360mm med overløb	6020069	GB1059056101	670	838
	6147 98 servant, oval, f/underliming 570x410mm	6020007	GB1561479801	2.804	3.505
	860-2 servant, med rørkonsoller, 600x455 mm 600x455 mm, C+ 940 Søyle f/servant 860-2	6020088 6020706	GB1086020161 GB1019400100	3.766	4.708
	860-3 m/konsoller, u/overløp, 500x350 mm C+	6020089	GB1086030161	3.263	4.079

SANITÆRPORSELEN

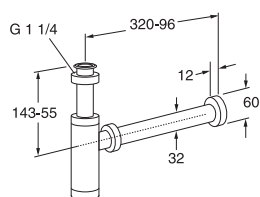
	NRF. NR.	ART. NR.	VEIL. PRIS EKS. MVA.	VEIL. PRIS INKL. MVA.
	7G28 60, oval, f/nedfelling, 605x485mm	6020017	7G286001	1.851 2.314
	7G28 53, oval, f/nedfelling, 535x440mm	6020016	7G285301	1.783 2.229
	Spennklammer f/montering 7G2860, 7G2853, bestill 2 stk. pr. servant	6021913	87070000	36 45
	Servanter for plassering på benk 6321 99 vask m/overløp, 500 x 400 mm	6302991	GB1563219901	2.994 3.743
	6322 99 vask m/overløp, 600 x 500 mm 9428 overløpssett f/vask 6321, 6322	6302992 6021909	GB1563229901 94281061	4.216 428 5.270 535
	7327 98 Hjørneservant, 555 x 450 mm f/bolt	6020027	GB1573279801	2.092 2.615

Sykehus/HC-servanter

	NRF. NR.	ART. NR.	VEIL. PRIS EKS. MVA.	VEIL. PRIS INKL. MVA.
	6020194	4G195501	3.515	4.394
	6020195	4G196001	3.713	4.641
	6020198	4G196101	3.713	4.641
	6020196	4G208001	4.903	6.129
	6020197	5G786001	3.786	4.733
	6020019	GB1074010112	5.404	6.755
	6020044	GB1074010101	4.824	6.030
	6020043	GB1074010102	5.404	6.755
	6020092	GB157119630110	3.713	4.641

SANITÆRPORSELELEN

Vannlåser



3880 Vannlås for veggtilkobling
Består av en vannlås samt rør og hette for tilkobling mot vegg.

Krom
Hvitt
Sort

NRF. NR.

ART. NR.

VEIL. PRIS
EKS. MVA.

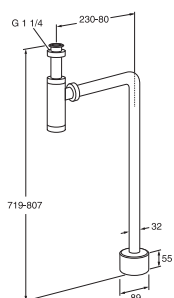
VEIL. PRIS
INKL. MVA.

6021905
6020085
6020159

GB41103880 00W
GB41103880 41W
GB41103880 53W

1.004
1.963
1.963

1.255
2.454
2.454



3880 Vannlås for gulvtilkobling med L-rør.
Består av en vannlås samt L-rør og hette for tilkobling i gulv.

Vannlåsen er spesielt egnet når avløpshullet er plassert nær vegg.

Krom
Hvitt
Sort

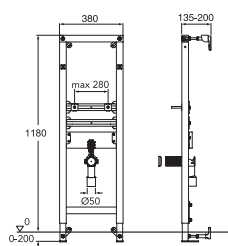
6021907
6020087
6020158

GB41103880 00L
GB41103880 41L
GB41103880 53L

1.211
2.047
2.047

1.514
2.559
2.559

Tilbehør servant



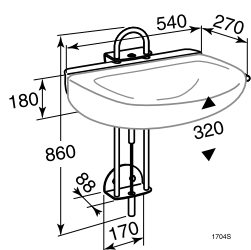
Triomont XS monteringsstativ for servant

6025661

GB1921102100

2.097

2.621



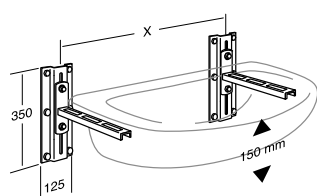
Servantløfter med gass-cylinder.
Hev/senkbar 320 mm

6026755

GB88170401

11.440

14.300



Veggkonsoll f/boltmontert servant

6026758

GB88170701

2.726

3.408

Fleksibelt slangesett f/vann og avløp.
Lengde 500 mm

6026759

GB88170801

1.487

1.859



Baderomstilbehør G1

	NRF. NR.	ART. NR.	VEIL. PRIS EKS. MVA.	VEIL. PRIS INKL. MVA.	
	G1-3822 Håndklestang, enkel	7031089	GB41103822 00	485	606
	G1-3823 Håndklestang, enkel	7031091	GB41103823 00	693	866
	G1-3827 Toalettpapirholderk	7031093	GB41103827 00	598	748
<p>G1 3830</p>	G1-3830 Toalettbørste med holder G3-3811 Reservebørste (passer også G1)	7031095	GB41103830 00 GB41103811 01	1.320 183	1.650 229
	G1-3839 Baderomshylle	7031097	GB41103839 00	1.184	1.480

Baderomstilbehør G2

	NRF. NR.	ART. NR.	VEIL. PRIS EKS. MVA.	VEIL. PRIS INKL. MVA.
		G2-3844 Håndklehenger, krok	111	139
		G2-3847 Toalettppapirholder	215	269
<p>G2 3850</p>		G2-3850 Toalettbørste med holder G3-3811 Reservebørste (passer også G2)	600 183	750 229

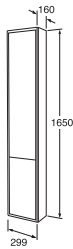

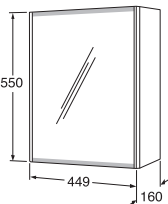
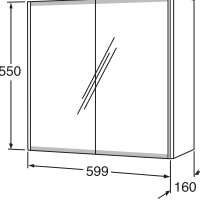
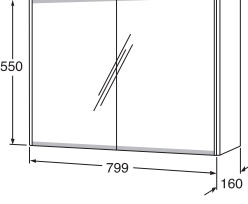
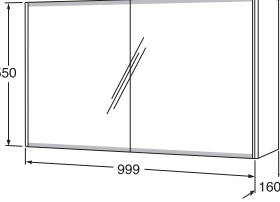
Nordic³ baderomsmøbler

	NRF. NR.	ART. NR.	VEIL. PRIS EKS. MVA.	VEIL. PRIS INKL. MVA.
	7031535	GB71B032E4WB	2.631	3.289
	7031536	GB71B032E9WB	2.733	3.416
	7031531 7031532 7031533 7031534	GB71B03300E4 GB71B03300E9 GB71A47900E4 GB71A47900E9	3.040 3.040 3.040 3.040	3.800 3.800 3.800 3.800
Nautic og Logic baderomsmøbler				
	7031537	GB71B032E4WBN	2.631	3.289

Graphic baderomsmøbler

	NRF. NR.	ART. NR.	VEIL. PRIS EKS. MVA.	VEIL. PRIS INKL. MVA.
<p>Graphic heldekkende servant, 450x410 mm</p> <p>Graphic servantskap med 2 skuffer 450x410x565 mm</p> <p>Hvit glatt Grå glatt Grønn glatt</p> <p>Tilbehør</p> <p>Skuffeinnsats 450 mm, per stk</p>	6020286	4G014501	1.668	2.085
<p>Graphic heldekkende servant, 600x410 mm</p> <p>Graphic servantskap med to skuffer 600x410x565 mm</p> <p>Hvit glatt Grå glatt Grønn glatt</p> <p>Tilbehør</p> <p>Skuffeinnsats 600 mm, per stk</p>	6020287	4G016001	1.981	2.476
<p>Graphic heldekkende servant, 800x410 mm</p> <p>Graphic servantskap med to skuffer 800x410x565 mm</p> <p>Hvit glatt Grå glatt Grønn glatt</p> <p>Tilbehør</p> <p>Skuffeinnsats 800 mm, per stk</p>	6020289	4G018001	2.606	3.258
<p>Graphic heldekkende servant, 1000x410 mm</p> <p>Graphic servantskap med to skuffer 1000x410x565 mm</p> <p>Hvit glatt Grå glatt Grønn glatt</p> <p>Tilbehør</p> <p>Skuffeinnsats 1000 mm, per stk</p>	6020282	4G01A501	3.023	3.779
	7031635 7031636 7031749	GB71GCVU45DH00 GB71GCVU45GR00 GB71GCVU45GN00	6.150 6.567 7.222	7.688 8.209 9.028
	7031587	GB71GCDR45	834	1.043
	7031637 7031638 7031741	GB71GCVU60DH00 GB71GCVU60GR00 GB71GCVU60GN00	6.255 7.298 8.027	7.819 9.123 10.034
	7031594	GB71GCDR60	834	1.043
	7031641 7031642 7031736	GB71GCVU80DH00 GB71GCVU80GR00 GB71GCVU80GN00	6.672 7.714 8.485	8.340 9.643 10.606
	7031613	GB71GCDR80	1.251	1.564
	7031643 7031644 7031745	GB71GCVU10DH00 GB71GCVU10GR00 GB71GCVU10GN00	7.298 8.340 9.174	9.123 10.425 11.467
	7031617	GB71GCDR10	1.459	1.824

	NRF. NR.	ART. NR.	VEIL. PRIS EKS. MVA.	VEIL. PRIS INKL. MVA.
<p>Graphic veggskap, dybde 160 mm Dørene har dempet lukking, inkludert to flyttbare hylleplater i glass</p> <p>Hvit glatt Grå glatt Grønn glatt</p>	7031596 7031597 7031715	GB71GCSC6016DH GB71GCSC6016GR GB71GCSC6016GN	3.648 4.065 4.456	4.560 5.081 5.570
<p>Graphic topplate med belysning til veggskap, dybde 160 mm, 600 mm</p> <p>Hvit Grå Grønn</p>	7031603 7031604 7031751	GB71GCTP6016DH GB71GCTP6016GR GB71GCTP6016GN	3.336 3.648 4.013	4.170 4.560 5.016
<p>Graphic topplate med belysning til veggskap, dybde 160 mm, 1200 mm bergenet for 2x600mm skap montert ved siden av hverandre</p> <p>Hvit Grå Grønn</p>	7031552 7031553 7031742	GB71GCTP1216DH GB71GCTP1216GR GB71GCTP1216GN	3.648 4.065 4.471	4.560 5.081 5.589
<p>Graphic veggskap, dybde 320 mm Dørene har dempet lukking, inkludert to flyttbare hylleplater i glass</p> <p>Hvit glatt Grå glatt Grønn glatt</p>	7031599 7031601 7031711	GB71GCSC6032DH GB71GCSC6032GR GB71GCSC6032GN	4.065 4.379 4.800	5.081 5.474 6.000
<p>Graphic topplate med belysning til veggskap, dybde 320 mm, 600 mm</p> <p>Hvit Grå Grønn</p>	7031605 7031606 7031737	GB71GCTP6032DH GB71GCTP6032GR GB71GCTP6032GR	4.065 4.691 5.160	5.081 5.864 6.450
<p>Graphic topplate med belysning til veggskap, dybde 320 mm, 1200 mm bergenet for 2x600mm skap montert ved siden av hverandre</p> <p>Hvit Grå Grønn</p>	7031554 7031555 7031746	GB71GCTP1232DH GB71GCTP1232GR GB71GCTP1232GN	4.379 4.899 5.389	5.474 6.124 6.736

	NRF. NR.	ART. NR.	VEIL. PRIS EKS. MVA.	VEIL. PRIS INKL. MVA.	
	Graphic høyskap, dybde 160 mm Vendbare dører for høyre-/venstremontering med dempet lukking. En fast hylleplate i tre, fire flyttbare i glass.				
	Hvit glatt Grå glatt Grønn glatt	7031577 7031578 7031706	GB71GCTC16DH GB71GCTC16GR GB71GCTC16GN	5.733 6.150 6.742	7.166 7.688 8.428
	Graphic høyskap, dybde 320 mm Med smart oppbevaring i den øversete døren.				
	Hvit glatt Grå glatt Grønn glatt	7031581 7031582 7031703	GB71GCTC32DH GB71GCTC32GR GB71GCTC32GN	6.775 7.193 7.886	8.469 8.991 9.858
    	Graphic Speilskap Dobbelsidig speil og dempet lukking. Inkludert to flyttbare hylleplater i glass, forstørrende speil og magnetlist som kan monteres på valgfritt sted. Baderomslampe og stikkontakt fås som tilvalg.				
	Bredde 450 mm med en dør				
	Hvit Grå Grønn	7031625 7031686 7031727	GB71GCMC45DH GB71GCMC45GR GB71GCMC45GN	3.336 3.648 4.000	4.170 4.560 5.000
	Bredde 600 mm med to dører				
	Hvit Grå Grønn	7031626 7031685 7031723	GB71GCMC60DH GB71GCMC60GR GB71GCMC60GN	4.065 4.379 4.800	5.081 5.474 6.000
	Bredde 800 mm med to dører				
	Hvit Grå Grønn	7031629 7031684 7031732	GB71GCMC80DH GB71GCMC80GR GB71GCMC80GN	4.691 4.899 5.371	5.864 6.124 6.714
	Bredde 1000 mm med to dør				
	Hvit Grå Grønn	7031633 7031683 7031718	GB71GCMC10DH GB71GCMC10GR GB71GCMC10GN	5.108 5.421 5.943	6.385 6.776 7.429
	Tilbehør				
LED-belysning 300 mm, IP44, 3000 K LED-belysning 500 mm, IP44, 3000 K Stikkontakt IP44	7031584 7031593 7031025	GB71GCCL30 GB71GCCL50 GB711800220	1.772 227	2.215 284	

Artic baderommøbler

	NRF. NR.	ART. NR.	VEIL. PRIS EKS. MVA.	VEIL. PRIS INKL. MVA.
<p>Artic heldekkende servant, 620x480 mm</p> <p>Artic servantskap med to skuffer 620x480x585 mm</p> <p>Hvit glatt Hvit Speildør Svart eik Hvit melamin med greplist</p> <p>Tilbehør</p> <p>Skuffeinnsats 600 mm, per stk</p>	6020288	4G006001	2.085	2.606
	7031609	GB714860DH00	6.150	7.688
	7031639	GB714860WF00	6.150	7.688
	7031678	GB714860BL00	7.193	8.991
	7031689	GB714860AG00	5.108	6.385
		GB7148DR60	834	1.043
<p>Artic heldekkende servant, 820x480 mm</p> <p>Artic servantskap med to skuffer 820x480x585 mm</p> <p>Hvit glatt Hvit Speildør Svart eik Hvit melamin med greplist</p> <p>Tilbehør</p> <p>Skuffeinnsats 800 mm, per stk</p>	6020291	4G008001	2.711	3.389
	7031616	GB714880DH00	6.567	8.209
	7031671	GB714880WF00	6.567	8.209
	7031615	GB714880BL00	7.609	9.511
	7031691	GB714880AG00	5.525	6.906
		GB7148DR80	1.251	1.564
<p>Artic heldekkende servant m/ett batterihull 1020x480 mm</p> <p>Artic heldekkende servant m/to batterihull 1020x480 mm</p> <p>Artic servantskap med to skuffer 1020x480x585 mm</p> <p>Hvit glatt Hvit Speildør Svart eik Hvit melamin med greplist</p> <p>Tilbehør</p> <p>Skuffeinnsats 1000 mm, per stk</p>	6020283	4G00A501	3.231	4.039
	6020284	4G00A401	3.231	4.039
	7031548	GB714810DH00	7.089	8.861
	7031674	GB714810WF00	7.089	8.861
	7031547	GB714810BL00	8.132	10.165
		GB7148DR10	1.563	1.954

	NRF. NR.	ART. NR.	VEIL. PRIS EKS. MVA.	VEIL. PRIS INKL. MVA.	
	Artic heldekkende servant med to bassenger 1220x480 mm	6020285	4G00C501	3.648	4.560
	Artic servantskap med fire skuffer 1220x480x585 mm				
	Hvit glatt venstre	7031699	GB714812DH0L	5.941	7.426
	Hvit glatt høyre	7031701	GB714812DH0R	5.941	7.426
	Hvit Speildør venstre	7031695	GB714812WF0L	6.462	8.078
	Hvit Speildør høyre	7031696	GB714812WF0R	6.462	8.078
	Svart eik venstre	7031697	GB714812BL0L	6.983	8.729
	Svart eik høyre	7031698	GB714812BL0R	6.983	8.729
	Hvit melamin med greplis venstre	7031693	GB714812AG0L	5.211	6.514
	Hvit melamin med greplis høyre	7031694	GB714812AG0R	5.211	6.514
Tilbehør					
Skuffeinnsats 600 mm, per stk		GB7148DR60	834	1.043	
	Artic høyskap, dybde 370 mm Vendbare dører for høyre-/venstre- montering med dempet lukking. En fast hylleplate i tre, tre flyttbare i glass.				
	Hvit glatt	7031624	GB714870DH00	5.108	6.385
	Hvit Speildør	7031634	GB714870WF00	7.193	8.991
	Svart eik	7031586	GB714870BO00	8.236	10.295
	Artic speilskap Dobbelsidig speil og dempet lukking. Inkludert to flyttbare hylleplater i glass, forstørrende speil og magnetlist som kan monteres på valgfritt sted. LED-belysning over og under skapet, integrrert stikkontakt inne i skapet.				
	Bredde 600 mm med to dører				
	Hvit	7031517	GB71488860DH	7.609	9.511
	Svart eik	7031515	GB71488860BO	8.236	10.295
	Bredde 800 mm med to dører				
	Hvit	7031628	GB71488880DH	8.236	10.295
	Svart eik	7031627	GB71488880BO	8.861	11.076
	Bredde 1000 mm med to dører				
	Hvit	7031524	GB71488810DH	8.652	10.815
	Svart eik	7031522	GB71488810BO	9.277	11.596
	Bredde 1200 mm med 4 dører				
	Hvit	7031621	GB71488812DH	15.219	19.024
Svart eik	7031619	GB71488812BO	16.470	20.588	

		NRF. NR.	ART. NR.	VEIL. PRIS EKS. MVA.	VEIL. PRIS INKL. MVA.
	<p>Artic speil med og uten LED-belysning, IP44, 3000 K</p> <p>Bredde 600 mm</p> <p>Uten belysning Med LED-belysning</p>	7031539	GB7148806000U	1.114	1.393
		7031538	GB7148806000	2.224	2.780
	<p>Bredde 800 mm</p> <p>Uten belysning Med LED-belysning</p>	7031631	GB7148808000U	1.251	1.564
		7031632	GB7148808000	2.504	3.130
	<p>Bredde 1000 mm</p> <p>Uten belysning Med LED-belysning</p>		GB7148801000U	1.481	1.851
			GB7148801000	2.743	3.429
	<p>Bredde 1200 mm</p> <p>Uten belysning Med LED-belysning</p>	7031622	GB7148801200U	1.510	1.888
		7031623	GB7148801200	3.004	3.755

Håndtak og Knotter til Artic og Graphic



Handtag H1
Farge: Krom
Mål*: C-C mellom kruer 96 mm
Art-nr: GB7199H1CR096
NRF-nr: 7031549
Pris:** 131 NOK



Handtag H2
Farge: Sort tre / krom
Mål*: C-C mellom kruer 96 mm
Art-nr: GB7199H2CW096
NRF-nr: 7031564
Pris:** 195 NOK



Handtag H2
Farge: Sort tre / krom
Mål*: C-C mellom kruer 128 mm
Art-nr: GB7199H2CW128
NRF-nr: 7031565
Pris:** 195 NOK



Handtag H4
Farge: Krom
Mål*: C-C mellom kruer 128 mm
Art-nr: GB7199H4CR128
NRF-nr: 7031558
Pris:** 131 NOK



Handtag H4
Farge: Krom
Mål*: C-C mellom kruer 160 mm
Art-nr: GB7199H4CR160
NRF-nr: 7031561
Pris:** 131 NOK



Handtag H4
Farge: Krom
Mål*: C-C mellom kruer 224 mm
Art-nr: GB7199H4CR224
NRF-nr: 7031568
Pris:** 131 NOK



Handtag H4
Farge: Sort
Mål*: C-C mellom kruer 128 mm
Art-nr: GB7199H4BL128
NRF-nr: 7031559
Pris:** 131 NOK



Handtag H4
Farge: Sort
Mål*: C-C mellom kruer 160 mm
Art-nr: GB7199H4BL160
NRF-nr: 7031562
Pris:** 131 NOK



Handtag H4
Farge: Sort
Mål*: C-C mellom kruer 224 mm
Art-nr: GB7199H4BL224
NRF-nr: 7031569
Pris:** 131 NOK



Handtag H5
Farge: Hvit
Mål*: C-C mellom kruer 32 mm
Art-nr: GB7199H5WH032
NRF-nr: 7031591
Pris:** 131 NOK



Handtag H5
Farge: Hvit
Mål*: C-C mellom kruer 128 mm
Art-nr: GB7199H5WH128
NRF-nr: 7031566
Pris:** 131 NOK



Handtag H8
Farge: Krom
Mål*: C-C mellom skruer 160 mm
Art-nr: GB7199H8CR160
NRF-nr: 7031704
Pris:** 210 NOK



Handtag H8
Farge: Messing
Mål*: C-C mellom skruer 160 mm
Art-nr: GB7199H8BR160
NRF-nr: 7031716
Pris:** 309 NOK



Handtag H8
Farge: Sort
Mål*: C-C mellom skruer 160 mm
Art-nr: GB7199H8BL160
NRF-nr: 7031712
Pris:** 210 NOK



Handtag H8
Farge: Krom/Sort lær
Mål*: C-C mellom skruer 160 mm
Art-nr: GB7199H8CB160
NRF-nr: 7031752
Pris:** 491 NOK



Handtag H8
Farge: Messing/brunt lær
Mål*: C-C mellom skruer 160 mm
Art-nr: GB7199H8BN160
NRF-nr: 7031743
Pris:** 531 NOK



Handtag H8
Farge: Sort/Sort lær
Mål*: C-C mellom skruer 160 mm
Art-nr: GB7199H8BB160
NRF-nr: 7031738
Pris:** 491 NOK



Knopp K3 til møbler
Farge: Sort lær/krom
Mål*: Høyde 65 mm

Art-nr: GB7199K3BCR00
NRF-nr: 7031725
Pris:** 195 NOK



Knopp K3 til møbler
Farge: Brunt lær/Messing
Mål*: Høyde 65 mm

Art-nr: GB7199K3BBR00
NRF-nr: 7031734
Pris:** 195 NOK



Knopp K3 til møbler
Farge: Natur lær/koppar
Mål*: Høyde 65 mm

Art-nr: GB7199K3NCR00
NRF-nr: 7031721
Pris:** 195 NOK



Knopp K1 til møbler eller vegg
Farge: Porselen/messing
Mål*: Diameter: 30 mm

Art-nr: GB7199K1PB000
NRF-nr: 7031585
Pris:** 131 NOK



Knopp K2 til møbler eller vegg
Farge: Krom
Mål*: Diameter 25 mm

Art-nr: GB7199K2CR000
NRF-nr: 7031573
Pris:** 131 NOK



Knopp K5 til møbler eller vegg
Farge: Messing
Mål*: Diameter 24 mm

Art-nr: GB7199K5BR000
NRF-nr: 7031371
Pris:** 131 NOK



Knopp K5 til møbler eller vegg
Farge: Kobber
Mål*: Diameter 24 mm

Art-nr: GB7199K5CU000
NRF-nr: 7031572
Pris:** 131 NOK



Knopp K6 til møbler eller vegg
Farge: Sort
Mål*: Diameter 27 mm

Art-nr: GB7199K6BL000
NRF-nr: 7031574
Pris:** 131 NOK



Knopp K6 til møbler eller vegg
Farge: Hvit
Mål*: Diameter 27 mm

Art-nr: GB7199K6WH000
NRF-nr: 7031575
Pris:** 131 NOK



Knopp K7 til møbler eller vegg
Farge: Messing
Mål*: Diameter 25 mm

Art-nr: GB7199K7BR000
NRF-nr: 7031724
Pris:** 158 NOK



Knopp K7 til møbler eller vegg
Farge: Krom
Mål*: Diameter 25 mm

Art-nr: GB7199K7CR000
NRF-nr: 7031728
Pris:** 158 NOK



Knopp K7 til møbler eller vegg
Farge: Sort
Mål*: Diameter 25 mm

Art-nr: GB7199K7BL000
NRF-nr: 7031733
Pris:** 158 NOK



Knopp K8 til møbler eller vegg
Farge: Hvit marmor
Mål*: Diameter 28 mm

Art-nr: GB7199K8WM000
NRF-nr: 7031719
Pris:** 360 NOK



Knopp K8 til møbler eller vegg
Farge: Grønn marmor
Mål*: Diameter 28 mm

Art-nr: GB7199K8GM000
NRF-nr: 7031707
Pris:** 360 NOK



Knopp K9 til møbler eller vegg
Farge: Messing
Mål*: Diameter 16 mm

Art-nr: GB7199K9BR000
NRF-nr: 7031747
Pris:** 131 NOK



Knopp K9 til møbler eller vegg
Farge: Sort
Mål*: Diameter 16 mm

Art-nr: GB7199K9BL000
NRF-nr: 7031729
Pris:** 131 NOK



Badekar



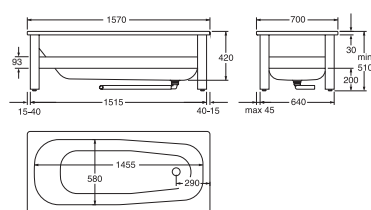
Badekar i emaljert stålplate med hel- eller halvfrontstativ

	NRF. NR.	ART. NR.	VEIL. PRIS EKS. MVA.	VEIL. PRIS INKL. MVA.	
	Badekar 1300, 1300x700 mm, uten ben, m/bunnventil og utløpsrør.	6030203	GB2113000100	5.963	7.454
	Helvfrontstativ m/front og gavl	6031743	GB2174130100	3.174	3.968
	Halvfrontstativ m/front og gavl	6031749	GB2164130100	2.968	3.710
	1300 Badekar med glazepluss		GB2113000113	7.769	9.711
	1300 Badekar med antisklibbehandling		GB2113000112	7.769	9.711
	1300 Badekar med borehull for to støttehåndtak		GB2113000111	7.769	9.711
	To støttehåndtak		GB208B080901	2.168	2.710
	Badekar 1400, 1400x700 mm, uten ben, m/bunnventil og utløpsrør	6030204	GB2114000100	4.200	5.250
	Helvfrontstativ	6031744	GB2174140100	2.692	3.365
	Halvfrontstativ m/front og gavl	6031751	GB2164140100	2.868	3.710
	1400 Badekar med glazepluss		GB2114000113	6.007	7.509
	1400 Badekar med antisklibbehandling		GB2114000112	6.007	7.509
	1400 Badekar med borehull for to støttehåndtak		GB2114000111	6.007	7.509
	To støttehåndtak		GB208B080901	2.168	2.710
	Badekar Kombi 1504, 1500x700 mm, uten ben, m/bunnventil og utløpsrør, hvitt	6031741	GB2115040100	4.395	5.494
	Helvfrontstativ m/front og gavl	6031745	GB2174150100	2.692	3.365
	Halvfrontstativ m/front og gavl	6031752	GB2164150100	2.968	3.710
	1504 Badekar med glazepluss		GB2115040113	6.202	7.753
	1504 Badekar med antisklibbehandling		GB2115040112	6.202	7.753
	1504 Badekar med borehull for to støttehåndtak		GB2115040111	6.202	7.753
	To støttehåndtak		GB208B080901	2.168	2.710

BADEKAR

	NRF. NR.	ART. NR.	VEIL. PRIS EKS. MVA.	VEIL. PRIS INKL. MVA.	
<p>Badekar Kombi 1574, 1570x700 mm uten ben, m/bunnventil og utløpsrør</p> <p>Hvitt</p> <p>Helfrontstativ m/front og gavl, hvitt Helfrontstativ m/front og gavl, sort</p> <p>Halvfrontstativ m/front og en gavl</p> <p>1574 Badekar med glazeplus 1574 Badekar med antisklibehandling 1574 Badekar med borehull for to støttehåndtak</p> <p>To støttehåndtak</p>	6031739	GB2115740100	5.232	6.541	
	6031746	GB2174160100	2.692	3.365	
	6031747	GB2174165600	3.753	4.691	
	6031753	GB2164160100	2.968	3.710	
		GB2115704113	7.041	8.801	
		GB2115704112	7.041	8.801	
		GB2115704111	7.041	8.801	
		GB208B080901	2.168	2.710	
	<p>Badekar Kombi 1604, 1600x700 mm, komplett uten ben, m/bunnventil og utløpsrør, hvit.</p> <p>Helfrontstativ m/front og gavl, hvit Helfrontstativ m/front og gavl, sort</p> <p>Halvfrontstativ m/front og gavl, hvit</p> <p>1604 Badekar med glazeplus 1604 Badekar med antisklibehandling 1604 Badekar med borehull for to støttehåndtak</p> <p>To støttehåndtak</p>	6031738	GB2116040100	3.668	4.585
		6031746	GB2174160100	2.692	3.365
6031747		GB2174165600	3.753	4.691	
6031753		GB2164160100	2.968	3.710	
		GB2116040113	5.476	6.845	
		GB2116040112	5.476	6.845	
		GB2116040111	5.476	6.845	
		GB208B080901	2.168	2.710	
<p>1603 Duokar 1600x700mm uten ben, m/bunnventil og utløpsrør</p> <p>Helfrontstativ m/front og gavl, hvit Helfrontstativ m/front og gavl, sort</p> <p>Halvfrontstativ m/front og gavl, hvit</p> <p>1603 Badekar med glazeplus 1603 Badekar med antisklibehandling 1603 Badekar med borehull for to støttehåndtak</p> <p>To støttehåndtak</p>		6030215	GB2116030100	8.644	10.805
		6031746	GB2174160100	2.692	3.365
	6031747	GB2174165600	3.753	4.691	
	6031753	GB2164160100	2.968	3.710	
		GB2116030113	10.408	13.010	
		GB2116030112	10.408	13.010	
		GB2116030111	10.408	13.010	
		GB208B080901	2.168	2.710	

	NRF. NR.	ART. NR.	VEIL. PRIS EKS. MVA.	VEIL. PRIS INKL. MVA.	
<p>1607 Kombikar 1600x700mm uten ben, med bunnventil og utløpsrør</p> <p>Helfrontstativ m/front og gavl, hvit Helfrontstativ m/front og gavl, sort</p> <p>Halvfrontstativ m/front og gavl, hvit</p> <p>1607 Badekar med glazeplus 1607 Badekar med antisklibehandling 1607 Badekar med borehull for to støttehåndtak</p> <p>To støttehåndtak</p>	6030221	GB2116070100	12.150	15.188	
	6031746	GB2174160100	2.692	3.365	
	6031747	GB2174165600	3.753	4.691	
	6031753	GB2164160100	2.968	3.710	
		GB2116070113	13.955	17.444	
		GB2116070112	13.955	17.444	
		GB2116070111	13.955	17.444	
		GB208B080901	2.168	2.710	
<p>1707 Badekar 1700x700mm. Hvitt. uten ben, m/bunnventil og utløpsrør</p> <p>Helfrontstativ med en front og en gavl</p> <p>1707 Badekar med glazeplus 1707 Badekar med antisklibehandling 1707 Badekar med borehull for to støttehåndtak</p> <p>To støttehåndtak</p>	6030222	GB2117070100	12.150	15.188	
	6031748	GB2174170100	2.692	3.365	
		GB2117070113	13.955	17.444	
		GB2117070112	13.955	17.444	
		GB2117070111	13.955	17.444	
		GB208B080901	2.168	2.710	
<p>1700 Badekar 1700x700 mm uten benstilling med bunnventil</p> <p>7017 Helfrontstativ med en front og en gavl</p> <p>1700 Badekar med glazeplus 1700 Badekar med antisklibehandling 1700 Badekar med borehull for to støttehåndtak</p> <p>To støttehåndtak</p>	6030217	GB2117000100	4.527	5.659	
		GB2170170100	2.692	3.365	
		GB2117000113	6.335	7.919	
		GB2117000112	6.335	7.919	
		GB2117000111	6.335	7.919	
		GB208B080901	2.168	2.710	
<p>1051 Sittebadekar 1050x650 mm. Hvitt. uten ben, m/bunnventil og utløpsrør.</p> <p>Helfrontstativ med en front og en gavl</p> <p>1051 Badekar med glazeplus 1051 Badekar med antisklibehandling</p>	6030201	GB2110510100	6.034	7.543	
	6031742	GB2174100100	3.633	4.541	
		GB2110510113	7.839	9.799	
		GB2110510112	7.839	9.799	

Frittstående badekar i emaljert stål


1571 Badekar. 1570x700 mm
uten stativ med oppløftsventil

1016 Stativ med justerbare ben
1051 Badekar med glazeplus

NRF. NR.

ART. NR.

 VEIL. PRIS
EKS. MVA.

 VEIL. PRIS
INKL. MVA.

6030232

GB2115710100

5.239

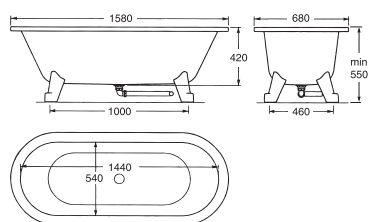
6.549

6030233

 GB2110160100
GB2115710113

 1.935
7.046

 2.419
8.808

BADEKAR


6316 Frittstående badekar, 1580x680 mm
Perfect White, inklusiv hvite ben,
forkrommet bunnventil, hvitt avløpsrør

6316 Frittstående badekar, 1580x680 mm
Perfect White, uten ben, med forkrommet
bunnventil og hvitt avløpsrør

Badekar i Sinful Black, 1580x680 mm
uten ben, med forkrommet bunnventil,
hvitt avløpsrør

Løse ben for komplettering av kar
OBS! Bestill to par pr kar

Perfect White ben, par
Sinful Black ben, par
Classy Chrome ben, par

6316 hvitt, med hvite ben. Med glazeplus,
forkrommet bunnventil, hvitt avløpsrør

Med antisklibehandling, forkrommet
bunnventil, hvitt avløpsrør

Med antisklibehandling, forkrommet
bunnventil, hvitt avløpsrør

6316 sort, uten ben. Med glazeplus,
forkrommet bunnventil, hvitt avløpsrør

Med antisklibehandling, forkrommet
bunnventil, hvitt avløpsrør

To støttehåndtak

6030273

GB2063160101

11.190

13.988

6030276

GB2063160001

9.720

12.150

6030462

GB2063165601

12.371

15.464

6031844

GB2921200353

956

1.195

6031843

GB2921200359

956

1.195

6031842

GB2921200358

2.579

3.224

GB2063160113

12.998

16.248

GB2063160112

12.998

16.248

GB2063160012

11.527

14.409

GB2063165613

14.176

17.720

GB2063165612

14.176

17.720

GB208B080901

2.168

2.710

	NRF. NR.	ART. NR.	VEIL. PRIS EKS. MVA.	VEIL. PRIS INKL. MVA.
<p>6368 Frittstående badekar, 680x730 mm med ben i Perfect White, med forkrommet bunnventil, hvitt avløpsrør</p> <p>6368 Frittstående badekar uten ben 1680x730 mm, med forkrommet bunnventil, hvitt avløpsrør</p> <p>Badekar i Sinful Black, 1580x680 mm uten ben, med forkrommet bunnventil, hvitt avløpsrør</p> <p><i>Løse ben for komplettering av kar</i> <i>OBS! Bestill to par pr kar.</i></p> <p>Perfect White ben, par Sinful Black ben, par Classy Chrome ben, par</p> <p>6368 hvitt, med ben i Perfect White med glazeplus, forkrommetbunnventil, hvitt avløpsrør</p> <p>Med antisklihandling, forkrommet bunnventil, hvitt avløpsrør</p> <p>6368 hvitt, uten ben* Med glazeplus, forkrommet bunnventil, hvitt avløpsrør</p> <p>Med antisklibehandling, forkrommet bunnventil, hvitt avløpsrør</p> <p>6368 Sinful Black, uten ben* Med glazeplus, forkrommet bunnventil, hvitt avløpsrør</p> <p>Med antisklibehandling, forkrommet bunnventil, hvitt avløpsrør</p> <p>To støttehåndtak</p>	6030264	GB2063680101	11.817	14.771
	6030277	GB2063680001	10.047	12.559
	6030461	GB2063685601	12.985	16.231
	6031844	GB2921200353	956	1.195
	6031843	GB2921200359	956	1.195
	6031842	GB2921200358	2.579	3.224
		GB2063680113	13.622	17.028
		GB2063680112	13.622	17.028
		GB2063680013	11.853	14.816
		GB2063680012	11.853	14.816
	GB2063685613	14.816	18.520	
	GB2063685612	14.816	18.520	
	GB208B080901	2.168	2.710	

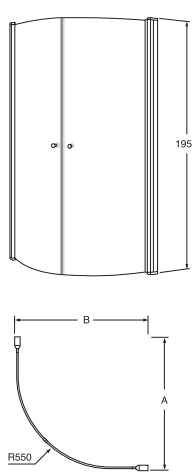
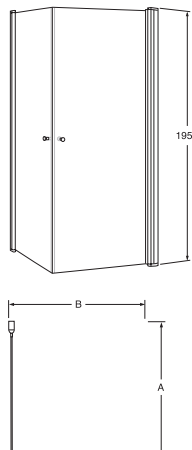
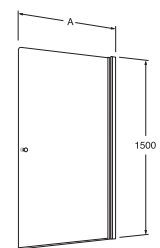
Innbyggingsbadekar i emaljert stålplate

	NRF. NR.	ART. NR.	VEIL. PRIS EKS. MVA.	VEIL. PRIS INKL. MVA.
	3400 Badekar for innbygging, 1400x700 mm	6030246	5.163	6.454
	Ben til badekar for innbygging Overløpssystem Propp og vrider	6030259 6031722 6031723	GB2083400100 GB208B231500 GB2924300155 GB2924300156	438 923 333
	3400 badekar for innbygging uten ben			
	Med glazeplus Med antisklibehandling Med borehull for støttehåndtak To støttehåndtak		GB2083400113 GB2083400112 GB2083400111 GB208B080901	6.926 6.926 6.926 2.168
	3500 Badekar for innbygging, 1500x700 mm	6030247	3.510	4.388
	Ben til badekar for innbygging Overløp Propp og vrider	6030259 6031722 6031723	GB208B231500 GB2924300155 GB2924300156	438 923 333
	3500 badekar for innbygging uten ben			
	Med glazeplus Med antisklibehandling Med borehull for støttehåndtak To støttehåndtak		GB2083500113 GB2083500112 GB2083500111 GB208B080901	5.273 5.273 5.273 2.168
	3600 Badekar for innbygging, 1600x700 mm	6030248	3.510	4.388
	Ben til badekar for innbygging Overløpssystem Propp og vrider	6030259 6031722 6031723	GB208B231500 GB2924300155 GB2924300156	438 923 333
	3600 badekar for innbygging uten ben			
	Med glazeplus Med antisklibehandling Med borehull for støttehåndtak To støttehåndtak		GB2083600113 GB2083600112 GB2083600111 GB208B080901	5.273 5.273 5.273 2.168
	3970 Badekar for innbygging, 1700x700 mm	6030249	4.488	5.610
	Ben til badekar for innbygging Overløpssystem Propp og vrider	6030259 6031722 6031723	GB208B231500 GB2924300155 GB2924300156	438 923 333
	3970 badekar for innbygging uten ben			
	Med antisklibehandling Med borehull for støttehåndtak To støttehåndtak		GB2083970112 GB2083970111 GB208B080901	6.252 6.252 2.168
	1220 Duocar for innbygging, 1600x700 mm	6030251	8.199	10.249
	Ben til badekar for innbygging Overløpssystem Propp og vrider	6030259 6031722 6031723	GB208B231500 GB2924300155 GB2924300156	438 923 333
	1220 badekar for innbygging uten ben			
	Med glazeplus Med antisklibehandling Med borehull for støttehåndtak To støttehåndtak		GB2081220113 GB2081220112 GB2081220111 GB208B080901	9.960 9.960 2.168

	NRF. NR.	ART. NR.	VEIL. PRIS EKS. MVA.	VEIL. PRIS INKL. MVA.
	1380 Duokar for innbygging, 1700x750 mm	6030252	8.199	10.249
	Ben til badekar for innbygging	6030259	438	548
	Overløp	6031722	923	1.154
	Propp og vrider	6031723	333	416
	1380 badekar for innbygging uten ben			
	Med glazeplus	GB2081380113	9.960	12.450
	Med antisklibehandling	GB2081380112	9.960	12.450
	Med borehull for støttehåndtak	GB2081380111	9.960	12.450
	To støttehåndtak	GB208B080901	2.168	2.710
	3410 Badekar for innbygging, 1600x700 med mer	6030253	8.199	10.249
	Ben til badekar for innbygging	6030259	438	548
	Overløpssystem	6031723	333	416
	Propp og vrider			
	To støttehåndtak	GB208B080901	2.168	2.710
	3411 Badekar for innbygging, 1700x700 mm	6030254	8.199	10.249
	Ben til badekar for innbygging	6030259	438	548
	Overløpssystem	6031723	333	416
	Propp og vrider			
	To støttehåndtak	GB208B080901	2.168	2.710
	6830 Badekar for innbygging, 1800x800 mm	6030255	14.156	17.695
	Ben til badekar for innbygging	6030259	438	548
	Overløpssystem	6031722	923	1.154
	Propp og vrider	6031723	333	416
	To støttehåndtak	GB208B080901	2.168	2.710
	6831 Badekar for innbygging, 1900x900 mm	6030256	17.183	21.479
	Ben til badekar for innbygging	6030259	438	548
	Overløpssystem	6031722	923	1.154
	Propp og vrider	6031723	333	416
	To støttehåndtak	GB208B080901	2.168	2.710
	2570 Badekar for innbygging 157x700 mm			
	Venstre	6030257	8.394	10.493
	Ben til badekar for innbygging	6030259	438	548
	Overløpssystem	6031722	923	1.154
	Propp og vrider	6031723	333	416
	To støttehåndtak	GB208B080901	2.168	2.710

	NRF. NR.	ART. NR.	VEIL. PRIS EKS. MVA.	VEIL. PRIS INKL. MVA.
<p>2580 Badekar for innbygging 1570x700 mm Høyre Ben til badekar for innbygging Overløpssystem Propp og vrider To støttehåndtak</p>	6030258 6030259 6031722 6031723	GB2082580100 GB208B231500 GB2924300155 GB2924300156 GB208B080901	8.394 438 923 333 2.168	10.493 548 1.154 416 2.710
<p>Tilvalg Skandic blandebatteri montert på badekarkanten</p>				
<p>Skandic termostatbatteri Med uttrekkbar håndduşj Multiplex Trio, fylling via overløp</p>	6030265 6030267	GB41217143 U90600361	4.331 4.029	5.414 5.036
<p>Skandic termostatbatteri Med uttrekkbar håndduşj Tut</p>	6030265 6030266	GB41217143 GB41638390	4.331 361	5.414 451
<p>Håndtak (angi plassering ved bestilling)</p> <p>2 stk.</p>		GB208B080901	2.168	2.710

Slagdører

	NRF. NR.	ART. NR.	VEIL. PRIS EKS. MVA.	VEIL. PRIS INKL. MVA.	
	SQ dusjhjørne AXB med buede slagdører				
	SQ80G buet slagdør 80 cm venstre, krom SQ80G buet slagdør 80 cm høyre, krom SQ90G buet slagdør 90 cm venstre, krom SQ90G buet slagdør 90 cm høyre, krom	6301605 6301606 6301607 6301608	UDW0080SKA201LN-61 UDW0080SKA201RN-61 UDW0090SKA201LN-61 UDW0090SKA201RN-61	4.671 4.671 4.080 4.080	5.839 5.839 5.100 5.100
	SC-E utføringsprofil til slagdører, krom 25 mm	6301543	UPGUYDG262-337	498	623
	NB! Alt av monteringsdeler ligger i høyre dørpakke. Forskjellige størrelser kan kompineres med hverandre.				
	SC dusjhjørne med rette slagdører				
	SC80G rett slagdør 80 cm venstre, krom SC80G rett slagdør 80 cm høyre, krom SC90G rett slagdør 90 cm venstre, krom SC90G rett slagdør 90 cm høyre, krom	6301619 6301621 6301622 6301623	UDW0080SKA200LN-61 UDW0080SKA200RN-61 UDW0090SKA200LN-61 UDW0090SKA200RN-61	4.498 4.498 4.080 4.080	5.623 5.623 5.100 5.100
	SC-E utføringsprofil til slagdører, krom 25 mm	6301543	UPGUYDG262-337	498	623
	NB! Alt av monteringsdeler ligger i høyre dørpakke. Forskjellige størrelser kan kompineres med hverandre.				
Badekarvegger					
	LB badekarvegg				
	LB70G badekarvegg 70 cm Krom/glass LB80G badekarvegg 80 cm Krom/glass	6301633 6301635	UDW0070LOG170W-61 UDW0080LOG170W-61	4.077 4.235	5.096 5.294

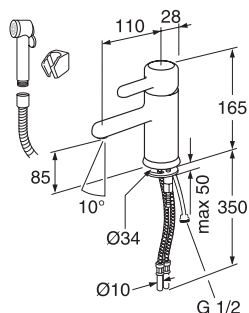


Nordic³ servantkraner

	NRF. NR.	ART. NR.	VEIL. PRIS EKS. MVA.	VEIL. PRIS INKL. MVA.
	<p>Nordic³ servantkran</p> <p>Med bunnventil Uten bunnventil</p>	<p>4340391 4340389</p> <p>GB41213043 GB41213051</p>	<p>1.129 966</p>	<p>1.411 1.208</p>
	<p>Nordic³ servantkran</p> <p>Med sidedusj og veggfeste</p>	<p>4340392</p> <p>GB41213061</p>	<p>1.620</p>	<p>2.025</p>
<h2>Nautic servantkraner</h2>				
	<p>Nautic servantkran</p> <p>Med oppløftsventil Med kjedefeste, uten bunnventil</p> <p>Tilbehør Push- down ventil</p>	<p>4340381 4340384</p> <p>GB41214041 GB41214047</p> <p>4343054</p> <p>GB41636575 01</p>	<p>1.470 1.005</p> <p>387</p>	<p>1.838 1.256</p> <p>484</p>
	<p>Nautic servantkran</p> <p>Med silventil</p>	<p>4340324</p> <p>GB41214043</p>	<p>1.460</p>	<p>1.825</p>
	<p>Nautic servantkran med 160 mm spak</p> <p>Med kjedefeste, uten bunnventil, krom Servantkran m/kjedefeste, støpt tut 150 mm, HC-spak</p>	<p>4340386 4341166</p> <p>GB41214047 64 GB41214045 64</p>	<p>1.379 1.860</p>	<p>1.724 2.325</p>

	NRF. NR.	ART. NR.	VEIL. PRIS EKS. MVA.	VEIL. PRIS INKL. MVA.
<p>Nautic servantkran med håndduşj og veggfeste</p> <p>Med oppløftsventil Med kjedefeste, uten bunnventil</p>	4340383 4340387	GB41214141 GB41214147	2.448 1.995	3.060 2.494
<p>Nautic servantkran med 150 mm utløpstut. Svingbar tut 80°</p> <p>Uten bunnventil</p>	4340302	GB41214045	1.501	1.876
<p>Nautic servantkran med 150 mm utløpstut. Svingbar tut 80°, med håndduşj og veggfeste</p> <p>Uten bunnventil</p> <p>Tilbehør</p> <p>Push- down ventil</p>	4340502 4343054	GB41214145 GB41636575 01	2.479 387	3.099 484
<p>Nautic servantkran m/150 mm tut m/avst.kran</p> <p>Nautic servantkran m/150 mm tut m/avst./sidedusj</p> <p>Nautic servantkran m/150 mm tut forhøyd</p>	4340388 4340503 4341165	GB41214085 GB41214185 GB41214245	1.958 2.938 2.107	2.448 3.673 2.634
<p>Atlantic servantkraner</p> <p>Atlantic servantkran</p> <p>Atlantic servantkran, bly fri</p> <p>Atlantic servantkran, med sidedusj</p>	4340377 4340378 4340379	GB41215047 GB41215047 0 GB41215147	1.200 1.550 2.030	1.500 1.938 2.538

Logic servantkraner



Logic servantkran med håndduj og veggfeste

Classy Chrome med kjedefeste

NRF. NR. 4340357

ART. NR. GB41214961

VEIL. PRIS EKS. MVA. 1.767

VEIL. PRIS INKL. MVA. 2.209

Spak for utbyting til farge:

Sinful Black

4342738

GB41638515 23

355

444

Perfect White

4342737

GB41638515 25

355

444

Moody Blue

4342739

GB41638515 36

355

444

Crazy Orange

4342741

GB41638515 38

355

444

Tilbehør

Push-down ventil, Classy Chrome

4343054

GB41636575 01

387

484

Logic servantkran med håndduj, veggfeste og avstengning for vaskemaskin

Classy Chrome, uten oppløftsventil

4340358

GB41214991

2.330

2.913

Tilbehør

Push-down ventil, Classy Chrome

4343054

GB41636575 01

387

484

Silventil

4342653

GB41637445

495

619

Spak og ratt for utbyting til farge:

Sinful Black

4342743

GB41638520 23

456

570

Perfect White

4342742

GB41638520 25

456

570

Moody Blue

4342744

GB41638520 36

456

570

Crazy Orange

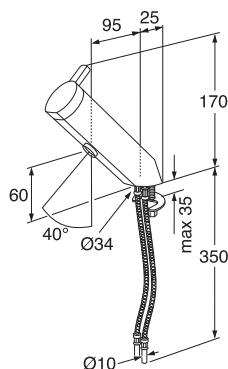
4342745

GB41638520 38

456

570

Coloric servantkraner



Coloric servantkran uten bunnventil

Sinful Black

4340365

GB41219051 23

2.297

2.871

Rough Aluminium

4340366

GB41219051 46

2.297

2.871

Passionate Red

4340369

GB41219051 49

2.297

2.871

Tilbehør

Push-down ventil

4343054

GB41636575 01

387

484

Coloric servantkran uten bunnventil med håndduj og veggfeste

Sinful Black

4340303

GB41219151 23

3.083

3.854

Rough Aluminium

4340305

GB41219151 46

3.083

3.854

Passionate Red

4340311

GB41219151 49

3.083

3.854

Tilbehør

Push-down ventil

4343054

GB41636575 01

387

484

Estetic servantkraner

	NRF. NR.	ART. NR.	VEIL. PRIS EKS. MVA.	VEIL. PRIS INKL. MVA.	
	Estetic servantkran uten bunnventil innholder under 0,1% bly Krom Sort matt Hvit matt	4340328 4340399 4340342	GB41218051 GB41218051 53 GB41218051 41	2.080 3.328 3.328	2.600 4.160 4.160
	Estetic servantkran, høy modell passer som kjøkkenkran eller for servant som er montert på benkeplate. Uten bunnventil. Krom Sort Matt Hvit matt	4340349 4340398 4340353	Gb41218251 GB41218251 53 Gb41218251 41	2.964 4.746 4.746	3.705 5.933 5.933
	Esteteic push-downventil med proselenspropp Krom Hvitt sort Hvit matt	4343054 6020278 6020279 6020281	GB41636575 01 GB41636575 25 GB41636575 23 GB41636575 41	387 770 1.130 1.130	484 963 1.413 1.413
<h2>Berøringsfrie servantkraner</h2>					
	Nordic³ berøringsfri servantkran Uten bunnventil Tilbehør Push-down ventil	4340393 4343054	GB41213081 GB41636575 01	2.923 387	3.654 484
	Nautic berøringsfri servantkran Uten bunnventil Tilbehør Push-down ventil	4340325 4343054	GB41214081 GB41636575 01	3.236 387	4.045 484

	NRF. NR.	ART. NR.	VEIL. PRIS EKS. MVA.	VEIL. PRIS INKL. MVA.		
	Logic berøringsfri servantkran Uten bunnventil, Classy Chrome		4340359	GB41214981	3.435	4.294
	Tilbehør Push-down ventil, Classy Chrome		4343054	GB41636575 01	387	484
Nautic termostatservantkran Med HC/spak, fast tut, krom		4341937	GB41215352	3.021	3.776	
Nautic bidé kran						
	Nautic bidékran med leddet strålesamler Med oppløftsventil		4340501	GB41214071	1.979	2.474
	Krom					
Nordic3 dusjkran m/termostat						
	Nordic³ dusjkran m/termostat med dusjtilkopling nedover 150 c-cc		4341941	GB41215604	1.428	1.785
	Krom					
	Nordic³ dusjkran m/termostat med dusjtilkopling oppover 150 c-c		4341942	GB41215624	1.758	2.198
	Krom					

Nautic dusjkran m/termostat

	NRF. NR.	ART. NR.	VEIL. PRIS EKS. MVA.	VEIL. PRIS INKL. MVA.
<p>Nautic vannbesparende dusjkran m/termostat med dusjtilkopling nedover. 150 c-c</p> <p>Krom</p>	4341932	GB41215304	1.428	1.785
<p>Nautic dusjkran m/termostat med dusjtilkopling oppover 150 c-c</p> <p>Krom</p>	4341935	GB41215324	1.758	2.198
<p>Nautic Combi vannbesparende termostat dusjpakke</p> <p>150 c-c.</p> <p><i>Dusjpakken består av: Blandebatteri: 4341932 Dusjsett krom: 4342896 med slange 1,75 m, veggstang med fester, glider, såpekopp</i></p>	4341939	GB41215387	1.955	2.444
<p>Dreibar badekartut</p> <p><i>Passer til dusjkran m/termostater (produsert 01.2013 og senere).</i></p>	4342781	GB41638760	738	923

BLANDEBATTERIER

Atlantic dusjkran m/termostat

<p>Atlantic dusjkran med termostat og dusjtilkopling på undersiden</p> <p>150 c-c</p>	4341996	GB41215004	1.810	2.263
<p>Atlantic dusjkran med termostat og dusjtilkopling på undersiden</p> <p>150 c-c Blyfri</p>	4341997	GB41215004 0	2.360	2.950

Logic dusjkran m/termostat

	NRF. NR.	ART. NR.	VEIL. PRIS EKS. MVA.	VEIL. PRIS INKL. MVA.
<p>Logic dusjkran m/termostat med dusjtilkopling nedover 150 c-c</p> <p>Classy Chrome</p> <p>For utbytting til farge Sett med mengde- og temperaturred</p> <p>Sinful Black Perfect White Moody Blue Crazy Orange</p>	4341948	GB41214904	1.915	2.394
	4342747	GB41638528 23	496	620
	4342746	GB41638528 25	496	620
	4342748	GB41638528 36	496	620
	4342749	GB41638528 38	496	620

<p>Logic dusjkran m/termostat med termostat og dusjtilkopling oppover 150 c-c</p> <p>Classy Chrome</p> <p>For utbytting til farge Sett med mengde- og temperaturred</p> <p>Sinful Black Perfect White Moody Blue Crazy Orange</p>	4341949	GB41214924	1.915	2.394
	4342747	GB41638528 23	496	620
	4342746	GB41638528 25	496	620
	4342748	GB41638528 36	496	620
	4342749	GB41638528 38	496	620

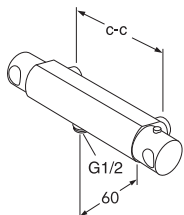
Estetic dusjkran m/termostat

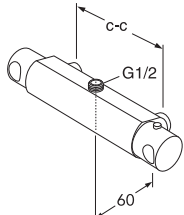
<p>Estetic dusjkran m/termostat med dusjtilkobling nedover, 150 c-c</p> <p>Krom Sort matt Hvit matt</p>	4341975	GB41218304	2.415	3.019
	4341989	GB41218304 53	3.910	4.888
	4341977	GB41218304 41	3.910	4.888

<p>Estetic dusjkran m/termostat med dusjtilkobling oppover, 150 c-c</p> <p>Krom Sort matt Hvit matt</p>	4341982	GB41218324	2.675	3.344
	4341991	GB41218324 53	4.309	5.386
	4143984	GB41218324 41	4.309	5.386

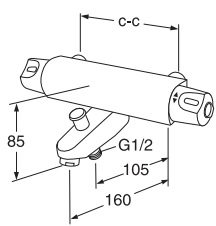
<p>Estetic badekartut</p> <p>Krom Sort matt Hvit matt</p>	4342798	GB41638860	1.482	1.853
	4341992	GB41638860 53	2.222	2.778
	4342801	GB41638860 41	2.222	2.778

Coloric dusjkran m/termostat

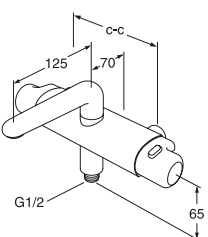
	NRF. NR.	ART. NR.	VEIL. PRIS EKS. MVA.	VEIL. PRIS INKL. MVA.
 <p>Coloric dusjkran m/termostat med dusjtilkopling nedover</p> <p>Sinful Black Rough Aluminium Passionate Red</p>	4341885	GB41219204 23	2.345	2.931
	4341886	GB41219204 46	2.345	2.931
	4341889	GB41219204 49	2.345	2.931

 <p>Coloric dusjkran m/termostat med dusjtilkopling oppover</p> <p>Sinful Black Rough Aluminium Passionate Red</p>	4341892	GB41219224 23	2.345	2.931
	4341893	GB41219224 46	2.345	2.931
	4341899	GB41219224 49	2.345	2.931

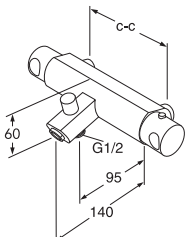
Nautic termostatbatteri til badekar

 <p>Nautic termostat badekarbatteri, fast badekartut og draomkaster/vender 150 c-c</p> <p>Krom Blandebatteriet består av: Termostat dusjbatteri Badekartut</p>	4341936	GB41215333	2.174	2.718
	4341932	GB41215304	1.428	1.785
	4342905	GB41636820	617	771

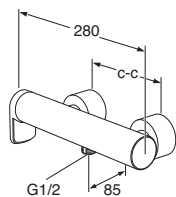
Logic termostat badebatteri

 <p>Logic termostat badebatterier 150 c-c</p> <p>Classy Chrome</p> <p>For utbytting til farge Sett med mengde og temperaturratt</p> <p>Sinful Black Perfect White Moody Blue Crazy Orange</p>	4340995	GB41214933	2.372	2.965
	4342747	GB41638528 23	496	620
	4342746	GB41638528 25	496	620
	4342748	GB41638528 36	496	620
	4342749	GB41638528 38	496	620

Coloric termostat badebatteri

 <p>Coloric termostat badekarbatteri med draomkaster/vender</p> <p>Sinful Black Rough Aluminium Passionate Red</p>	4341901	GB41219223 23	3.042	3.803
	4341902	GB41219223 46	3.042	3.803
	4341906	GB41219223 49	3.042	3.803

Estetic ettgreps dusjbatterier

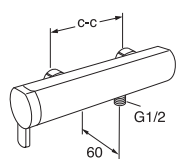


Estetic dusjbatteri 150 c-c
Dusjtilkobling på undersiden

Krom

NRF. NR.	ART. NR.	VEIL. PRIS EKS. MVA.	VEIL. PRIS INKL. MVA.
4341008	GB41218004	1.931	2.414

Coloric ettgreps dusjbatteri

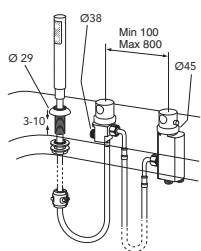


Coloric dusjbatteri 150 c-c med eksenter
for å montere som 160 c-c.
Dusjtilkobling på undersiden.

Sinful Black
Rough Aluminium
Passionate Red

4340904	GB41219004 23	2.232	2.790
4340905	GB41219004 46	2.232	2.790
4340914	GB41219004 49	2.232	2.790

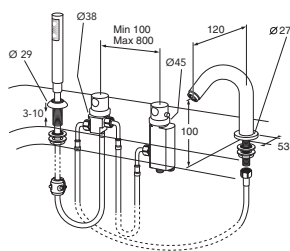
Skandic blandebatteri montert på badekarkanten



Skandic termostatbatteri

med uttrekkbar hånddusj
Multiplex Trio, fylling via overløp

6030265	GB41217143	4.331	5.414
6030267	U90600361	4.029	5.036

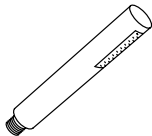
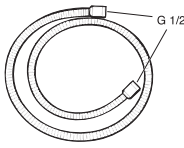
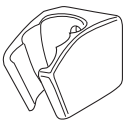


Skandic termostatbatteri

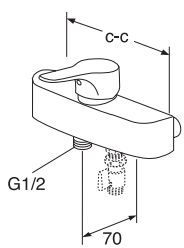
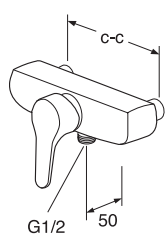
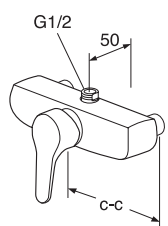
med uttrekkbar hånddusj
Tut

6030265	GB41217143	4.331	5.414
6030266	GB41638390	361	451

Håndduj med veggfeste

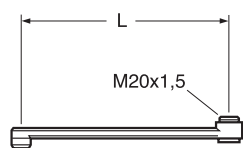
		NRF. NR.	ART. NR.	VEIL. PRIS EKS. MVA.	VEIL. PRIS INKL. MVA.
	Håndduj Scandic	4342687	GB41636596 00	496	620
	Slange til håndduj	4343811	GB41636266 00	145	181
	Veggfeste til håndduj	4340714	GB41637575	103	129

Nautic ettgrepsbatterier for veggmontering

	<p>Nautic veggbatteri med spak framover Dusjtilkobling på undersiden og med ekstra vannuttak</p> <p>150 c-c Rett kuleventil med avstengning, for ekstra vannuttak</p>	4340941 4342639	GB41214004 FG079805705	1.392 180	1.740 226
	<p>Nautic veggbatteri med spak nedover Dusjtilkobling på undersiden</p> <p>150 c-c</p>	4340943	GB41214014	1.833	2.291
	<p>Nautic veggbatteri med spak nedover Dusjtilkobling på oversiden og plugget utløp på undersiden</p> <p>150 c-c</p>	4340944	GB41214024	1.963	2.454

Nautic ettgreps badebatterier

	NRF. NR.	ART. NR.	VEIL. PRIS EKS. MVA.	VEIL. PRIS INKL. MVA.
<p>Nautic badebatteri med integrert tut og draomkaster/vender 150 c-c</p> <p>Krom</p>	4340945	GB41214023	2.322	2.903
<p>Nautic badebatteri med fast tut og draomkaster /vender 150 c-c</p> <p>Krom</p>	4340946	GB41214033	2.241	2.801
<p>Nautic badebatteri med svingbar tut og draomkaster/vender 150 c-c</p> <p>Krom</p>	4340947	GB41214035	3.088	3.860
<h2>Logic ettgrepsbatterier for veggmontering</h2>				
<p>Logic ettgreps veggbatteri 150 c-c</p> <p>Classy Chrome</p>	4340323	GB41214934	1.722	2.153
<p>Logic utløpstut til</p> <p>Badekar m/draomkaster /vender</p> <p>85mm utløpstut</p> <p>150mm utløpstut</p>	4342905 4342879 4342877	GB41636820 GB41633631 GB41633632	617 457 457	771 571 571
<p>Spak for utskiftning av farge:</p> <p>Sinful Black</p> <p>Perfect White</p> <p>Moody Blue</p> <p>Crazy Orange</p>	4342738 4342737 4342739 4342741	GB41638515 23 GB41638515 25 GB41638515 36 GB41638515 38	355 355 355 355	444 444 444 444

**Utløpstuter | Bunnventiler | Anslutningskoplinger
Eksenterkoplinger | Veggfester**

Utløpstuter og bunnventiler

Utløpstut, rett svingbar 85 mm, fkr
 Utløpstut, rett svingbar 150 mm, fkr
 Utløpstut, rett svingbar 200 mm, fkr
 Utløpstut, rett svingbar 250 mm, fkr
 Utløpstut, rett svingbar 350 mm, fkr
 Utløpstut, rett svingbar 400 mm, fkr
 Utløpstut 945 mm (dobbl. svingbar)
 f/veggbatteri

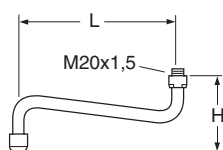
NRF. NR.

ART. NR.

 VEIL. PRIS
EKS. MVA.

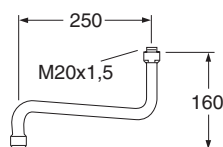
 VEIL. PRIS
INKL. MVA.

4342879	GB41633631	457	571
4342877	GB41633632	457	571
4342878	GB41633633	608	760
4342868	GB41633614	630	788
4342625	GB41633616	806	1.008
4342626	GB41633624	841	1.051
4342811	GB41630151	1.754	2.193



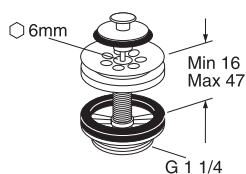
S-tut 150 mm svingbar
 S-tut 250 mm svingbar
 S-tut 350 mm svingbar

4342815	GB41630191	341	426
4342819	GB41630194	463	579
4342975	GB41630197	373	466



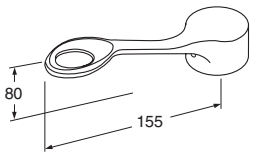
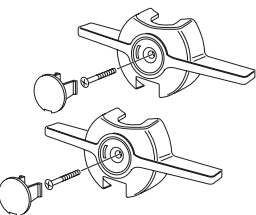
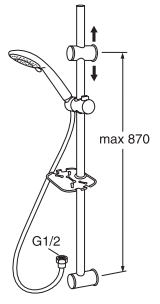
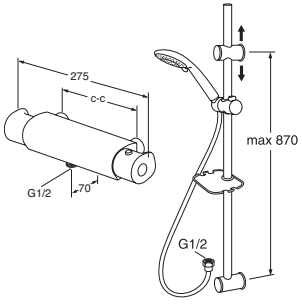
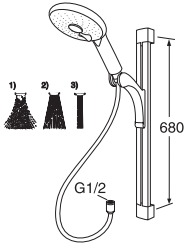
Utløpstut 250 mm svingbar
 Fast utløpstut 140 mm
 Omkasterhus m/draomkaster
 f/forskjellige tuter
 Badekartut m/draomkaster
 f/veggbatteri, fkr
 Svingbar tut m/omkasterhus L=350
 Selvstengende hånddusj m/slange
 f/veggbatteri

4342977	GB41630196	373	466
4342981	GB41630770	426	533
4342634	GB41637315	659	824
4342905	GB41636820	617	771
4342917	GB41635270	1.814	2.268
4343335	GB41634210	795	994


**Bunnventiler | Anslutningskoplinger
Eksenterkoplinger | Veggfester**

Silventil m/overløp m/plugg, fkr
 "Push down" ventil, fkr
 Oppløftventil, ekskl. stang, krom
 Stang f/oppløftventil 375 mm, krom
 Blanderfeste f/utvendig rørføring
 u/avstengning
 Blanderfeste f/skjult rørføring
 u/avstengning
 Blanderfeste f/skjult rørføring
 f/PEX-rør Dy 12x2,0 fkr
 Blanderfeste f/skjult rørføring
 f/PEX-rør Dy 15x2,5 fkr
 Blanderfeste f/skjult rørføring
 f/PEX-rør Dy 16x2,2 fkr
 Kopl. sett f/PEX-rør Dy 12x2,0
 f/blanderfeste
 Eksenterkupling 3/4" x 1/2". Pr. stk.
 Rett kobling f/dusjkabinett. Pr. par
 Anslutningskobl. f/badebatteri
 f/vulstmontering
 Kuleventil rett f/veggbatteri
 m/e.vannuttak m/foravst.
 Vridbar tilkoblingsvinkel
 f/oppvaskmaskin over benk
 Avstengningskran f/oppvaskin
 f/benkemont.fkr
 SoftPEX-slanger 2 stk. L=400mm
 SoftPEX-slanger 2 stk. L=600 mm
 Kobberrør 1 stk.
 "Legionella" dreneringsventil f/mont.
 mellom batteri/slange
 Stabiliseringsstag

4342653	GB41637445	495	619
4343054	GB41636575 01	387	484
4342638	GB41637450	540	675
4343055	GB41630305	110	138
4343071	FG0115080	571	714
4343076	FG0115050	314	393
4343101	FG0115060	342	428
4343102	FG0115061	342	428
4343103	FG0115062	342	428
4343104	FP636142		
4343115	GB41631765 02	260	325
6301993	GB41634002	198	248
4343118	GB41634525		
4342639	FG079805705	180	226
4343189	GB41635790 01	549	686
4340745	GB41205081	1.187	1.484
4342633	GB41637161 02	185	231
4342643	GB41637164 02	178	223
4342632	GB41636424 01	123	154
4342641	GB41635944 01	639	799
4342942	GB41638457	195	244

	NRF. NR.	ART. NR.	VEIL. PRIS EKS. MVA.	VEIL. PRIS INKL. MVA.
 <p>Spaker, kranoverdel f/sykehus/handikapbatterier</p> <p>Ettgreps HC spak Nautic. Rød/blå merking Spesialoverdel m/ker.tetn. f/216503 m/160 mm spak Nautic Ratt mengdeside f/termostatbatteri, krom Nautic Ratt temperaturside f/termostatbatteri, krom</p>  <p>HC vingespaker f/termostatbatteri, par Forlenget spak til alle Nautic ettgrepskraner, krom</p>	4342627	GB41637360 01	360	450
	4342994	GB41103017 23	260	325
	4342635	GB41637804 01	115	144
	4342636	GB41637810 01	115	144
	4342637	GB41637840 02	184	230
	4343366	GB41637250	250	313
Dusjsett				
 <p>Dusjsett I med 1,75 m slange</p> <p>Såpehylle med knagger er inkludert, Krom</p>	4342896	GB41103250	536	670
	Atlantic dusjsett med dusjkran m/termostat			
 <p>Atlantic dusjsett med dusjkran m/termostat</p>	4341998	GB41215087 0	3.050	3.813
	Coloric dusjsett med 1,75 m slange			
 <p>Coloric dusjsett med 1,75 m slange</p> <p>Sinful Black Rough Aluminium Passionate Red</p>	4342699	GB41103390 23	1.627	2.034
	4342701	GB41103390 46	1.627	2.034
	4342704	GB41103390 49	1.627	2.034

		NRF. NR.	ART. NR.	VEIL. PRIS EKS. MVA.	VEIL. PRIS INKL. MVA.
	Round dusjsett med 1,75m slange og hånddusj med 3 funksjoner	4342806	GB41103210	796	995
	Square dusjsett med 1,75m slange og hånddusj med 3 funksjoner	4342807	GB41103215	796	995
	Dusjsett m/hånddusj og dusjslange 1,75m Pris pr. stk - selges kun som STORPAKK a 15 stk for prosjekt. Delvis ferdig montert.	4342808	GB41103350 15	695	869
Faste dusjsett					
	Square Dusjsett uten blandebatteri Hånddusj m/ 3 forskjellige strålemønstre	4342803	GB41103235	3.822	4.778
	Round Dusjsett uten blandebatteri Hånddusj m/ 3 forskjellige strålemønstre	4342802	GB41103230	3.822	4.778
	Square inkl. Nautic dusjkran m/termostat c-c 150 med integrert omkasterfunksjon Hånddusj m/ 3 forskjellige strålemønstre	4341986	GB41215335	5.097	6.371
	Round inkl. Nautic dusjkran m/termostat c-c 150 med integrert omkasterfunksjon Hånddusj m/ 3 forskjellige strålemønstre	4341985	GB41215330	5.097	6.371

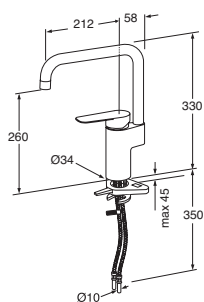
	NRF. NR.	ART. NR.	VEIL. PRIS EKS. MVA.	VEIL. PRIS INKL. MVA.
<p>Square inkl. Estetic dusjkran m/termostat</p> <p>c-c 150 med integrert omkasterfunksjon Håndusj m/ 3 forskjellige strålemønstre</p>	4341944	GB41218335	5.830	7.288
<p>Round inkl. Estetic dusjkran m/termostat</p> <p>c-c 150 med integrert omkasterfunksjon Håndusj m/ 3 forskjellige strålemønstre</p>	4341882	GB41218330	5.830	7.288
<p>Dusjsett Legionella m/dren.ventil, veggfeste, spiralslange</p>	4342712	GB41103216	1.977	2.471
<p>Fast dusjrør m/sil f/montering på overside termostatbatteri</p> <p>Klammer for fast dusjrør</p> <p>Sparenippel 12 l/min.</p>	4342655 4342656 4342666	GB41103305 GB41633748 GB41103615	1.115 226 68	1.394 283 85
Nordic³ kjøkkenkran				
<p>Nordic³ kjøkkenkran med høy tut, uten avstengning for oppvaskmaskin</p> <p>Krom</p>	4340695	GB41203056	1.349	1.686
<p>Nordic³ kjøkkenkran med høy tut, med avstengning for oppvaskmaskin</p> <p>Krom</p>	4340696	GB41203096	1.742	2.178

Nautic kjøkkenkran

	NRF. NR.	ART. NR.	VEIL. PRIS EKS. MVA.	VEIL. PRIS INKL. MVA.
	4340765	GB41204056	1.434	1.793
	4340766 4343189	GB41204096 GB41635790 01	1.893 549	2.366 686
	4340778	GB41204057	1.468	1.835
	4340779 4343189	GB41204097 GB41635790 01	1.939 549	2.424 686
	4340767	GB41204055	1.434	1.793
	4340768 4340769	GB41204155 GB41204155 88	2.525 2.769	3.156 3.461

	NRF. NR.	ART. NR.	VEIL. PRIS EKS. MVA.	VEIL. PRIS INKL. MVA.
Nautic kjøkkenkran med lav støpt tut med avstengning for oppvaskmaskin	4340771	GB41204095	1.893	2.366
	4340772 4340773	GB41204195 GB41204195 88	2.987 3.231	3.734 4.039
Med sidedusj Med oppvaskbørste				
	4343189	GB41635790 01	549	686
Tilkoplingsvinkel for oppvaskmaskin på benk				
Nautic kjøkkenkran for veggmontering med svingbar tut på oversiden. Blandebatteriet består av veggbatteri med dusjtilkopling oppover, med lugget uttak nedover.				
Krom	4340944	GB41214024	1.963	2.454
Tut for montering på oversiden				
Krom	4342624	GB41630184	630	788
Nautic kjøkkenkran for veggmontering med svingbar tut (undermontert) og med ekstra vannuttak. Batteriet har tilkopling ned, pluggede tilkoplinger for ekstra vannuttak og tilbakeslagsventiler i innløpet. Blandebatteriet består av:				
Forspylingsbatteri med ekstra vannuttak	4341163	GB41214264	1.963	2.454
Svingbar utløpstut 250 mm, rett	4342868	GB41633614	630	788
	4340677	GB41205361	2.960	3.700
Nautic storkjøkken termostatbatt. (160 c-c)/tilbakeslagsventiler, tut 350mm				

Atlantic kjøkkenkran



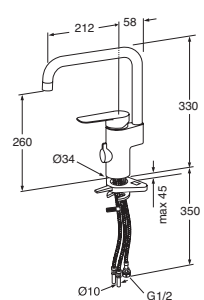
Atlantic Kjøkkenkran høy tut
Atlantic Kjøkkenkran høy tut, blyfri

NRF. NR.
4341993
4341994

ART. NR.
GB41205058
GB41205058 0

VEIL. PRIS
EKS. MVA.
1.470
1.910

VEIL. PRIS
INKL. MVA.
1.838
2.388



Atlantic Kjøkkenkran høy tut
med avstengning, blyfri
Atlantic Kjøkkenkran høy tut
med avstengning

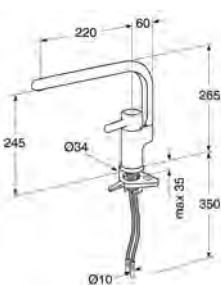
4340795
4341995

GB41205098 0
GB41205098

2.570
1.980

3.213
2.475

Logic kjøkkenkran



Logic kjøkkenkraner med høy tut

Classy Chrome

4340692

GB41204956

1.869

2.336

Spak for utskiftning av farge:

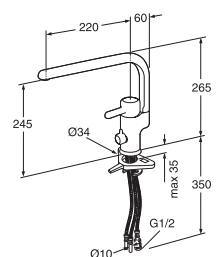
Sinful Black
Perfect White
Moody Blue
Crazy Orange
Avstengningskran f/oppv.maskin
f/benkemont.fkr

4342738
4342737
4342739
4342741
4340745

GB41638515 23
GB41638515 25
GB41638515 36
GB41638515 38
GB41205081

355
355
355
355
1.187

444
444
444
444
1.484



**Logic kjøkkenkraner med høy tut og
avstenging for oppvaskmaskin**

Classy Chrome

4340693

GB41204996

2.320

2.900

Spak og ratt for utskiftning av farge:

Sinful Black
Perfect White
Moody Blue
Crazy Orange

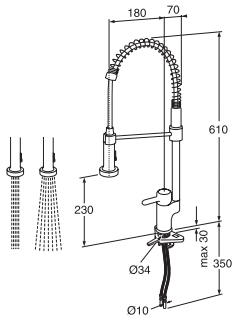
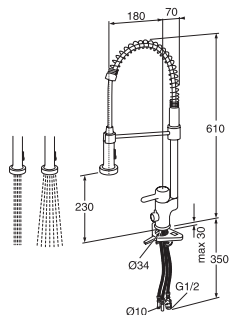
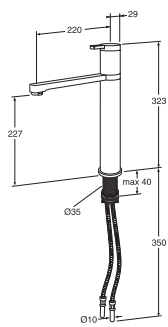
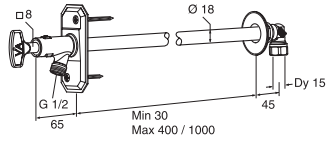
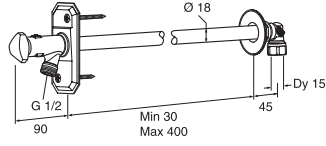
4342743
4342742
4342744
4342745

GB41638520 23
GB41638520 25
GB41638520 36
GB41638520 38

456
456
456
456

570
570
570
570

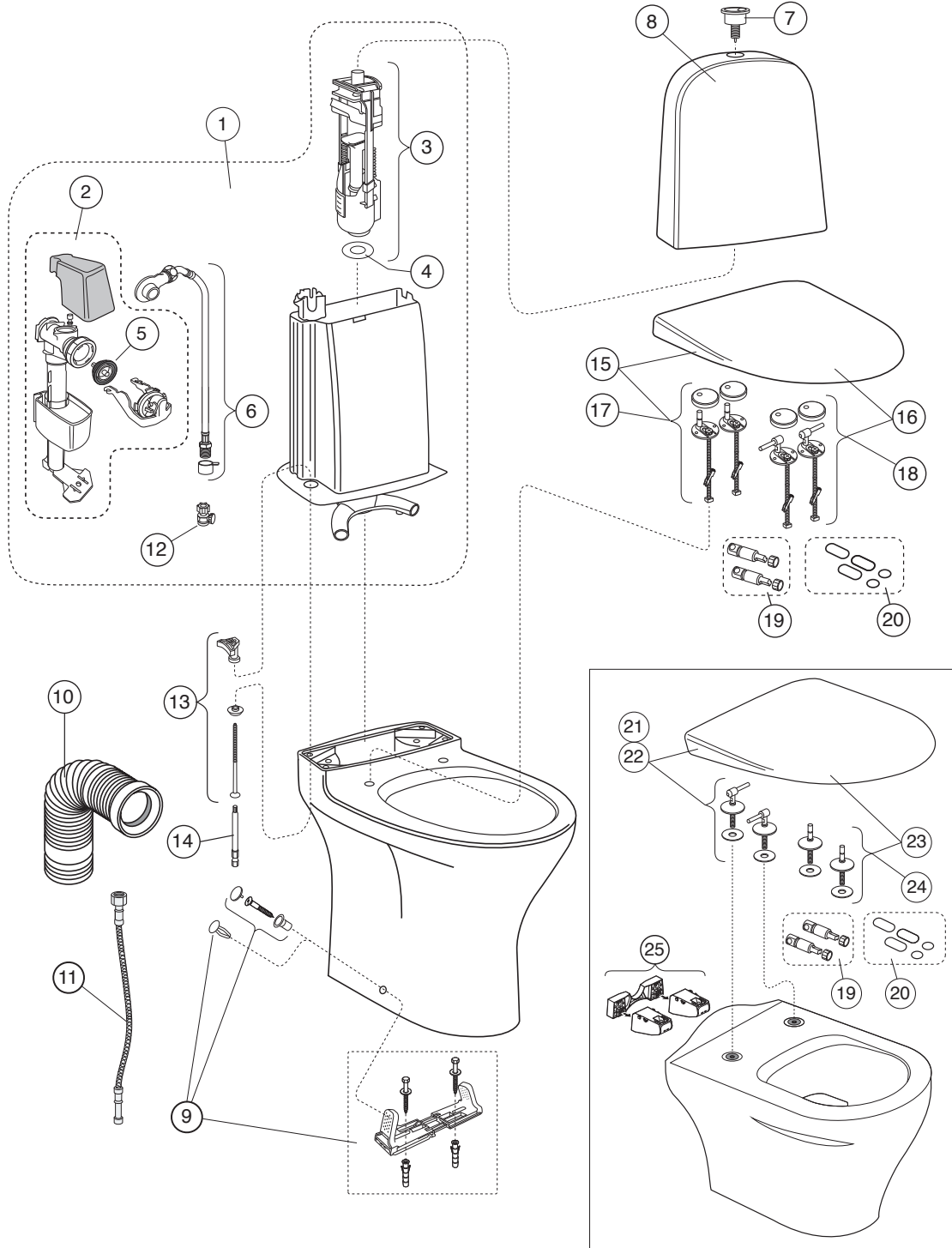
BLANDEBATTERIER

	NRF. NR.	ART. NR.	VEIL. PRIS EKS. MVA.	VEIL. PRIS INKL. MVA.	
	Logic kjøkkenkran med høy tut og dusjmunnstykke				
	Classy Chrome	4340781	GB41204958	3.256	4.070
	Spak og ratt for utskiftning av farge:				
	Sinful Black	4342738	GB41638515 23	355	444
	Perfect White	4342737	GB41638515 25	355	444
Moody Blue	4342739	GB41638515 36	355	444	
Crazy Orange	4342741	GB41638515 38	355	444	
	Logic kjøkkenkran med høy tut, dusjmunnstykke og avstengning for oppvaskmaskin.				
	Classy Chrome	4340782	GB41204998	3.545	4.431
	Spak og ratt for utskiftning av farge:				
	Sinful Black	4342743	GB41638520 23	456	570
	Perfect White	4342742	GB41638520 23	456	570
Moody Blue	4342744	GB41638520 36	456	570	
Crazy Orange	4342745	GB41638520 38	456	570	
Coloric kjøkkenkran					
	Coloric kjøkkenkran				
	Sinful Black	4340723	GB41209055 23	4.025	5.031
	Rough Aluminium	4340724	GB41209055 46	4.025	5.031
	Passionate Red	4340727	GB41209055 49	4.025	5.031
Tilbehør					
	Avstengningskran for oppvaskmaskin for benkemontering	4340745	GB41205081	1.187	1.484
Utekran					
	Frostsikker med typegodkjent tilbakeslagsventil og nøkkel				
	Selvdrenerende, 400mm Butikkpkn. Kartong	4343088	FG0105062	902	1.128
	Selvdrenerende, 400mm	4342954	FG0105060	859	1.074
	Leveres i 10 pkn. Selvdrenerende, 1000mm	4342955	FG0105070	1.995	2.494
	Utekran med typegodkjent tilbakeslagsventil og ratt				
	Selvdrenerende, 400mm	4342956	FG0105061	1.281	1.601
	T-rør med vakuumventil				
	Monteres i rørledning foran utekranen	5080015	FG0640857	675	844

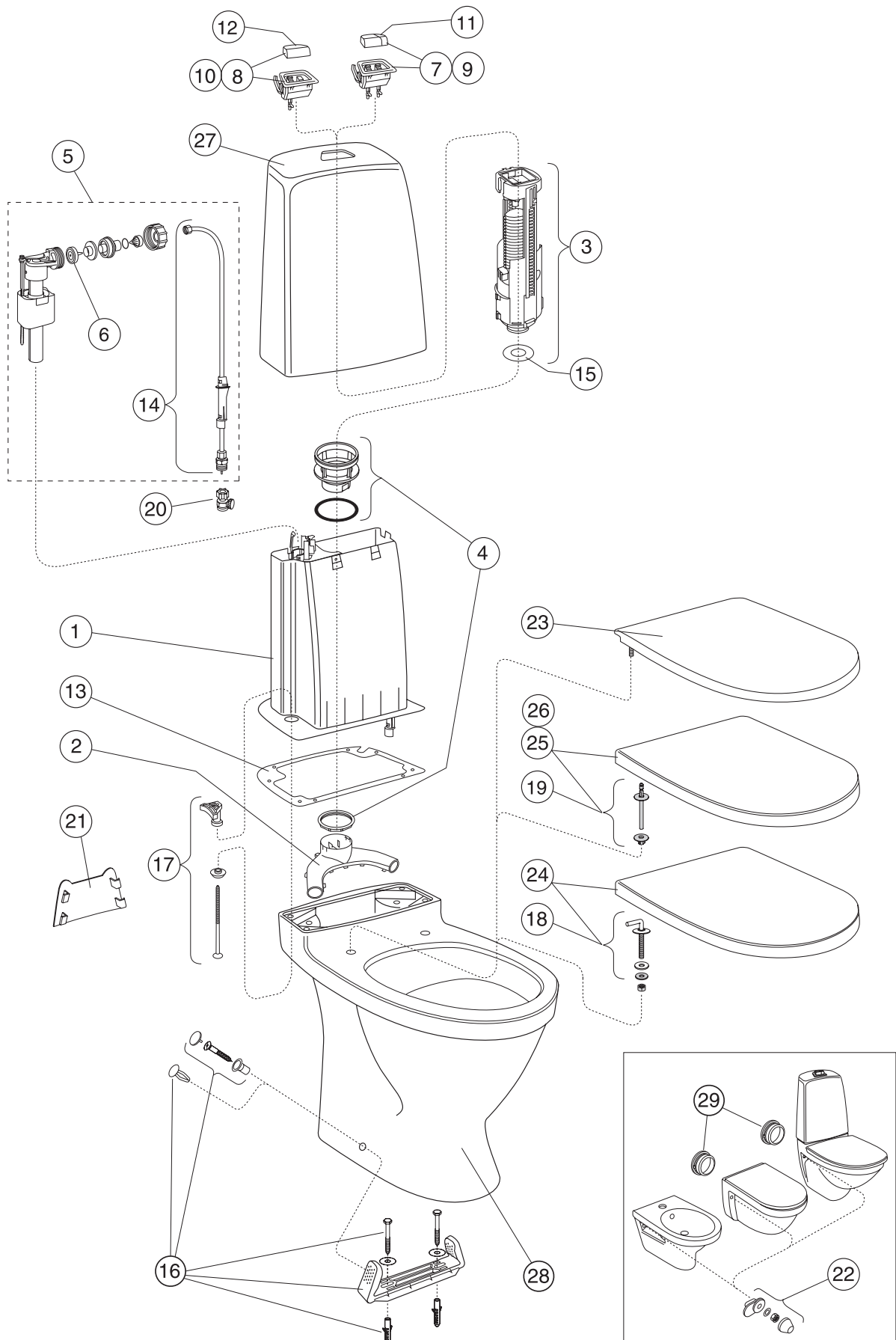




DETALJENUMMER OG PRODUKT	NRF. NR.	ART. NR.	VEIL. PRIS EKS. MVA.	VEIL. PRIS INKL. MVA.
1 Plastsisterne komplett	6025996	GB19299N0100	1.151	1.439
2 Porselenssisterne	6025619	GB185580001200	1.152	1.440
3 Utløpsventil	6025983	9GN00100	431	539
4 Innløpsventil komplett	6025984	9GN00200	431	539
5 Vanntilførselsrør	6025994	9GN01000	200	250
6 Membran	6025985	9GN00300	87	109
7 Høy trykknapp duo, krom	6025986	9GN00561	152	190
8 Høy trykknapp enkel, krom	6025988	9GN00661	152	190
9 Lav trykknapp duo, krom	6025987	9GN01161	152	190
10 Skruesett for gulvfeste	6025633	GB1929900365	69	86
11 Bunnventilpakning	6025995	9GN00400	72	90
12 Gulvfeste	6025689	92242500	172	215
13 Sisternebolter	6025622	92226100	144	180
14 Faste hengsler til gammel Nautic sete	6025624	92226461	777	971
Faste hengsler til Nautic sete		92241361	266	333
15 Hengsler til Nautic sete m/ SC/QR		92241461	492	615
Hengsler til gammel Nautic sete m/ SC/QR	6025625	92226561	777	971
16 Avstengningsventil	6025675	GB1929900503	128	160
17 Dekkluke for toalett 5500	6025833	GB1929903410	152	190
18 Nautic standard propensete, hvit	6025425	9M246101	236	295
19 Nautic lux-sete i hardplast m/rustfrie fester	6025426	9M256101	709	886
20 Nautic lux-sete m/ SC/QR, hvitt	6025427	9M26S101	1.131	1.414
Nautic lux-sete m/ SC/QR, svart	6025428	9M26S136	1.498	1.873
21 Festedetaljer toalett 5530/5522	6025677	92227401	140	175



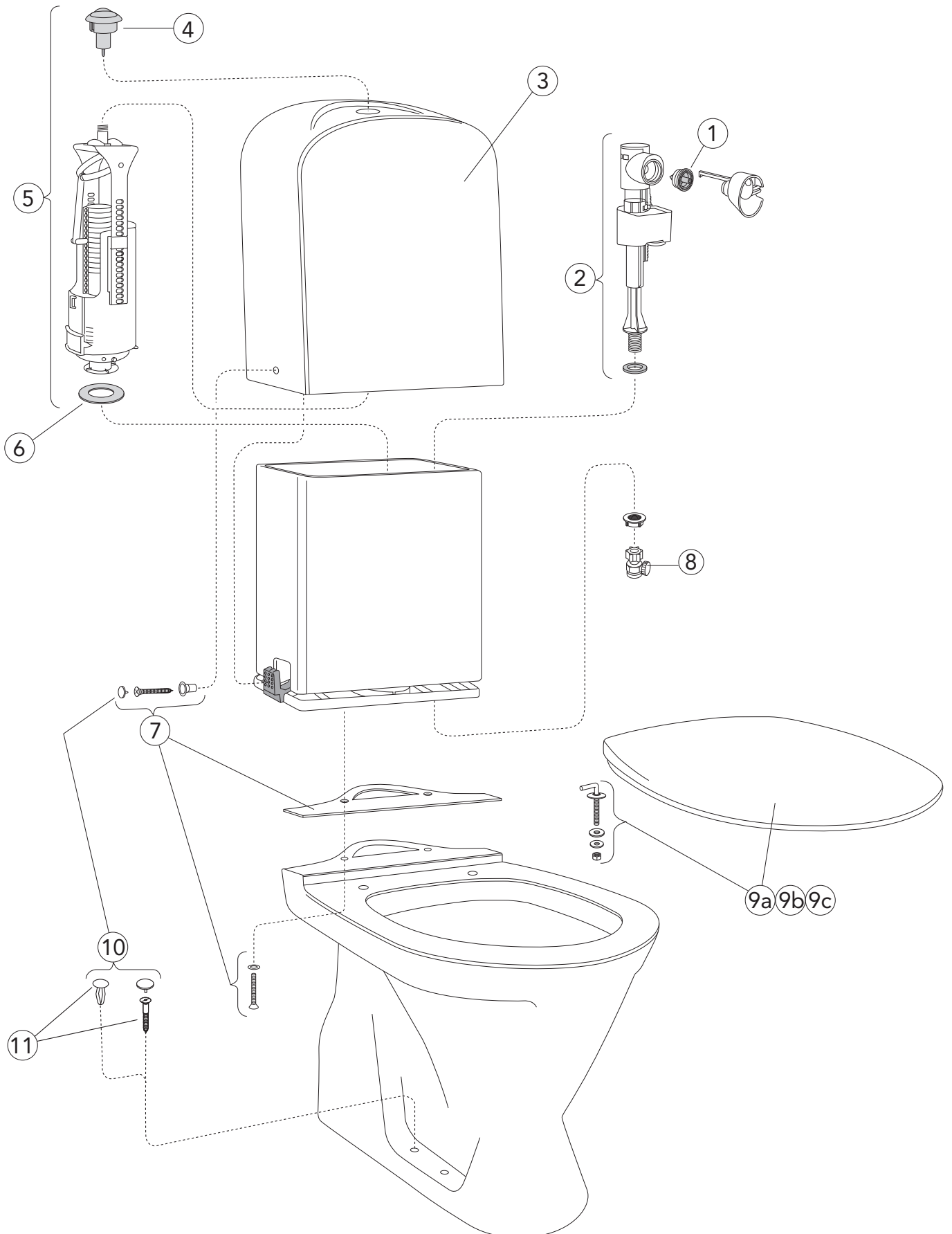
DETALJENUMMER OG PRODUKT	NRF. NR.	ART. NR.	VEIL. PRIS EKS. MVA.	VEIL. PRIS INKL. MVA.
1 Plastsisterne komplett	6025996	GB19299N0100	1.151	1.439
2 Innløpsventil komplett	6025984	9GN00200	431	539
3 Utløpsventil	6025983	9GN00100	431	539
4 Bunnventilpakning	6025995	9GN00400	72	90
5 Membran	6025985	9GN00300	87	109
6 Vanntilførselsrør	6025994	9GN01000	200	250
7 Trykknapp duo, krom		87569961	152	190
8 Sisterne hvit		GB18830001200	1.153	1.679
Sisterne Matt hvit		GB18830041200		
9 Gulvfeste		92214501	172	215
10 Fleksibel avløpsbend		GB1921101416	377	471
12 Stoppekran	6025675	GB1929900503	128	160
13 Sisternebolter	6025622	92226100	144	180
14 Verktøy, torx TX25x90		FG0639319 01	114	143
17 Hengsler for SC/QR, for gulvtoalett		92213161	492	615
18 Faste hengsler, for gulvtoalett		92213261	266	333
19 Dempere for SC sete		92213300	174	218
20 Støtputer		92243400	41	51
22 Faste hengsler, for veggtoalett		92213061	266	333
24 Hengsler for SC/QR, for veggtoalett		92212261	492	615
25 Suprafix veggfeste for veggtoalett		92226300	293	366



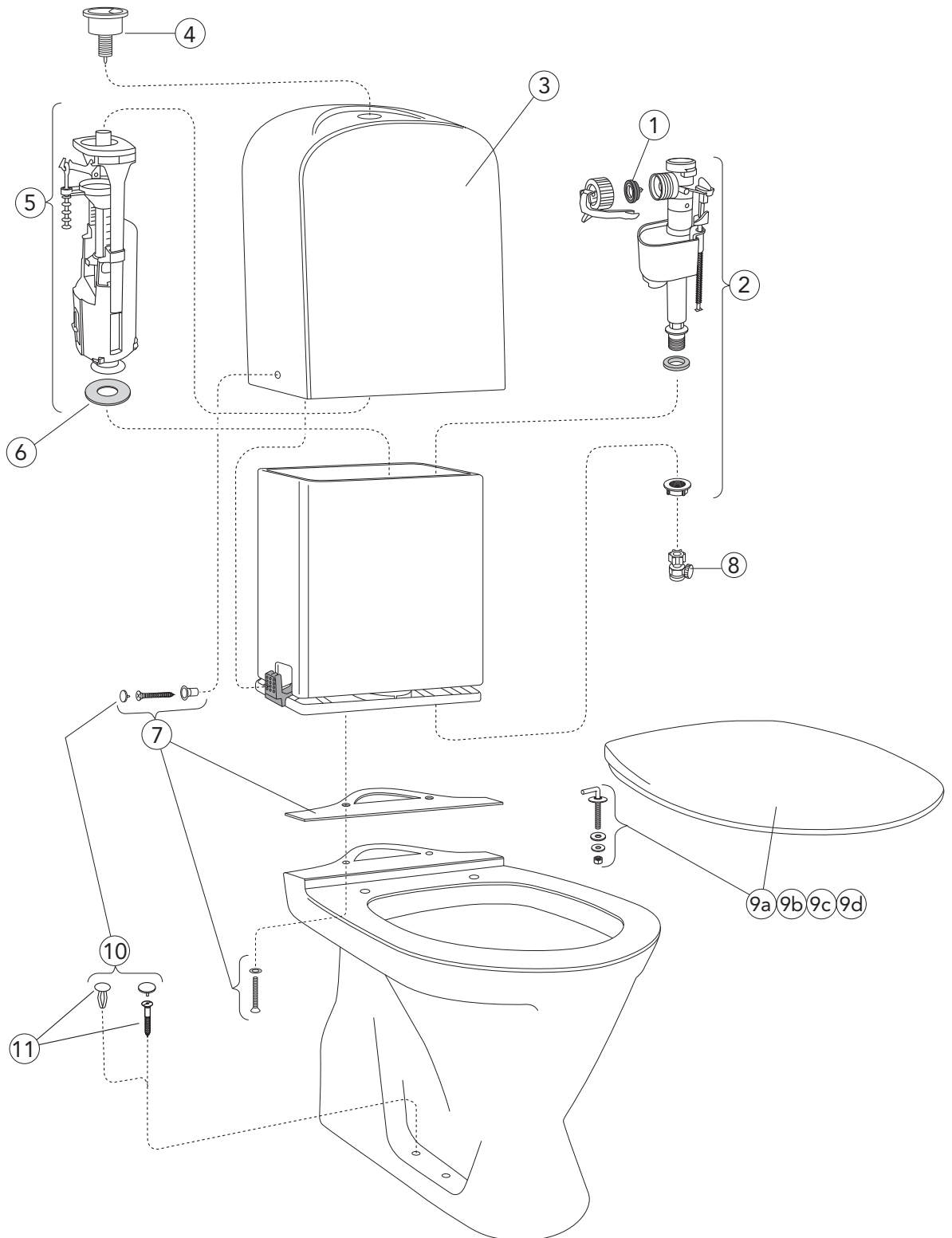
RESERVEDELER



DETALJENUMMER OG PRODUKT	NRF. NR.	ART. NR.	VEIL. PRIS EKS. MVA.	VEIL. PRIS INKL. MVA.
1 Plastsisterne komplett	6025601	GB19299P0100	1.152	1.440
2 Spylørør	6025602	GB19299P0101	115	144
3 Utløpsventil	6025603	GB19299P0102	431	539
4 Bunnventilsett	6025604	GB19299P0103	115	144
5 Flottørventil	6025605	GB19299P0105	431	539
6 Membran	6025606	GB19299P0106	86	108
7 Trykknapp duo, hvit, komplett	6025748	GB19299P0108	152	190
8 Trykknapp enkel, hvit, komplett	6025746	GB19299P0109	152	190
9 Trykknapp duo, krom, komplett	6025749	GB19299P0110	152	190
10 Trykknapp enkel, krom, komplett	6025747	GB19299P0111	152	190
11 Trykknapp duo, krom	6025614	GB19299P0112	144	180
12 Trykknapp enkel, krom	6025615	GB19299P0113	144	180
13 Sистерepakning	6025616	GB19299P0114	59	74
14 Innløpsrør	6025617	GB19299P0116	201	251
15 Ventilhuspakning	6025812	GB19299TK962	72	90
16 Gulvfeste	6025689	92242500	172	215
17 Sisternebolter	6025622	92226100	144	180
18 Faste hengsler til Nautic seter		92241361	266	333
19 Hengsler til Nautic seter m/SC/QR		92241461	492	615
Støtputer til Nautic seter		92242001	39	49
Soft Close demper til Nautic seter		92242400	174	218
20 Avstengningsventil	6025675	GB1929900503	128	160
21 Dekkluke for toalett 5500	6025833	GB1929903410	152	190
22 Festedetaljer toalett 5530/5522	6025677	92207401	140	175
23 Nautic standard propensete, hvit	6025425	9M246101	236	295
24 Nautic lux-sete i hardplast m/rustfrie fester	6025426	9M256101	709	886
25 Nautic lux-sete m/SC/QR , h vitt	6025427	9M26S101	1.131	1.414
26 Nautic lux-sete m/SC/QR , svart	6025428	9M26S136	1.498	1.873
27 Porselensisterne	6025619	GB185580001200	1.152	1.440
28 Skål f/5500	6023641	GB185500001200	2.854	3.568
Skål f/ 5500 med C+	6023642	GB1855000R1200	3.531	4.414
Skål f/5510	6023643	GB185510001200	3.531	4.414
Skål f/5510 med C+	6023644	GB1855100R1200	3.531	4.414
29 Gulvfeste for bidé	6025847	GB1929900381	172	215
Nautic Vandalsikker trykknapp, enkelspyling. Rustfritt/svart.	6025669	GB19299NV036	916	1.145
Hengsler Nautic HC-seter	6025758	GB88306000	386	483
Lav spyleknapp komplett (1500 Hygienic Flush)		GB19299P0210	152	190
Lav spyleknapp, stor og liten (1500 Hygienic Flush)		GB19299P0212	144	180



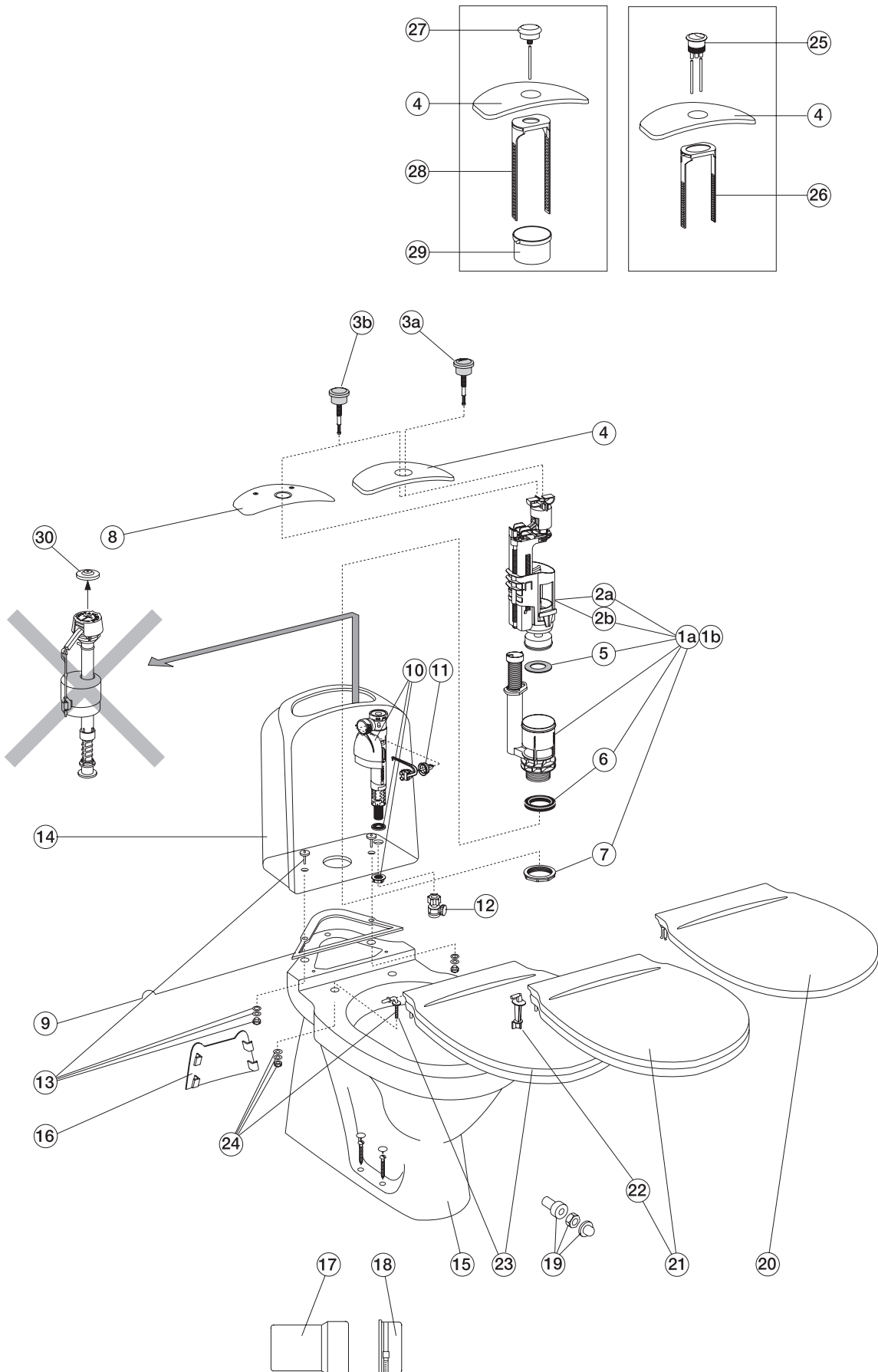
DETALJENUMMER OG PRODUKT	NRF. NR.	ART. NR.	VEIL. PRIS EKS. MVA.	VEIL. PRIS INKL. MVA.
1 Membran		GB19299P0206	86	108
2 Innløpsventil		9GS01300	568	710
Membran		9GS01400	133	166
3 Sистерne		GB184700001200	1.152	1.440
4 Trykknapp		GB19299P0201	205	256
5 Utløpsventil med trykknapp		GB19299P0202	431	539
6 Bunnpakning		GB19299TK962	72	90
7 Skruer og sisternepakning		GB19299P0204	202	253
8 Avstengningsventil	6025675	GB1929900503	128	160
9a Propensete	6025456	9M646101	228	285
9b Sete for Saval 2.0/Nordic3	6096502	8780G101	621	776
9c Rustfrie hengsler f/Saval 2.0/Nordic3		92241961	138	173
9d Hengsler SC/QR		92211761	492	615
10 Poser med propper		GB19299P0207	36	45
11 Skruerpose gulv: 4 skruer, 4 dekkpropper, 4 limpropper	6025633	GB1929900365	69	86



RESERVELEDER

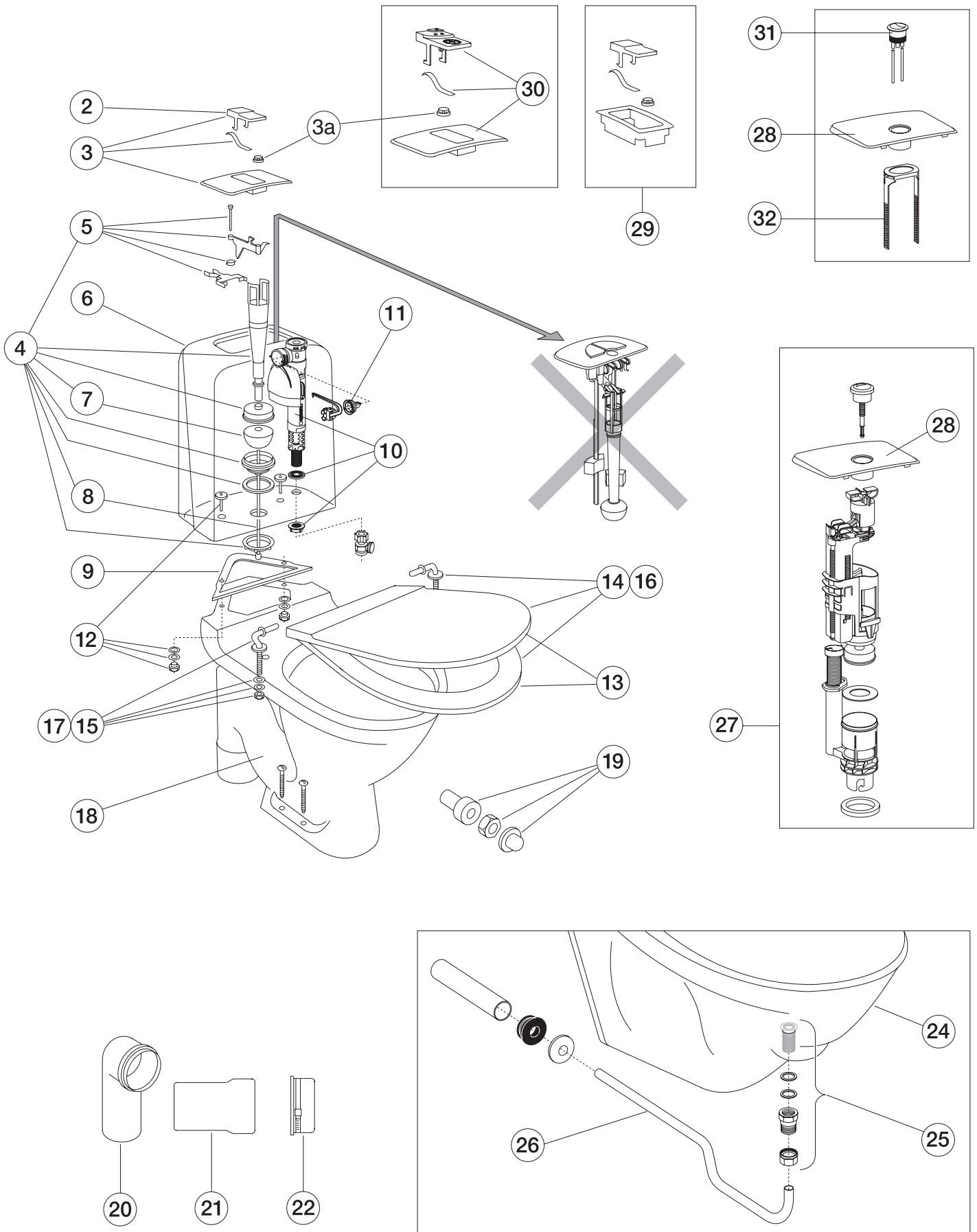


DETALJENUMMER OG PRODUKT	NRF. NR.	ART. NR.	VEIL. PRIS EKS. MVA.	VEIL. PRIS INKL. MVA.
1 Innløpsventil		9GS01400	568	710
2 Membran		9GS01300	133	166
3 Sистерne Nordic3		GB184700001200	1152	1440
4 Trykknapp		9GS01561	239	299
5 Ventil Duo		9GS01600	646	808
6 Bunnpakning		9GS01700	72	90
7 Skruer og sisternepakn.		GB19299P0204	202	253
8 Avstengningsventil		GB1929900503	128	160
9a Propensete		9M646101	228	285
9b Sete for Saval 2.0/Nordic3		8780G101	621	776
9c Rustfrie hengsler f/Saval 2.0/Nordic3		92241961	138	172
10 Poser med propper		GB19299P0207	36	45
11 Skruer gulv: 4 skruer, 4 dekkpropper, 4 limpropper		GB1929900365	69	86

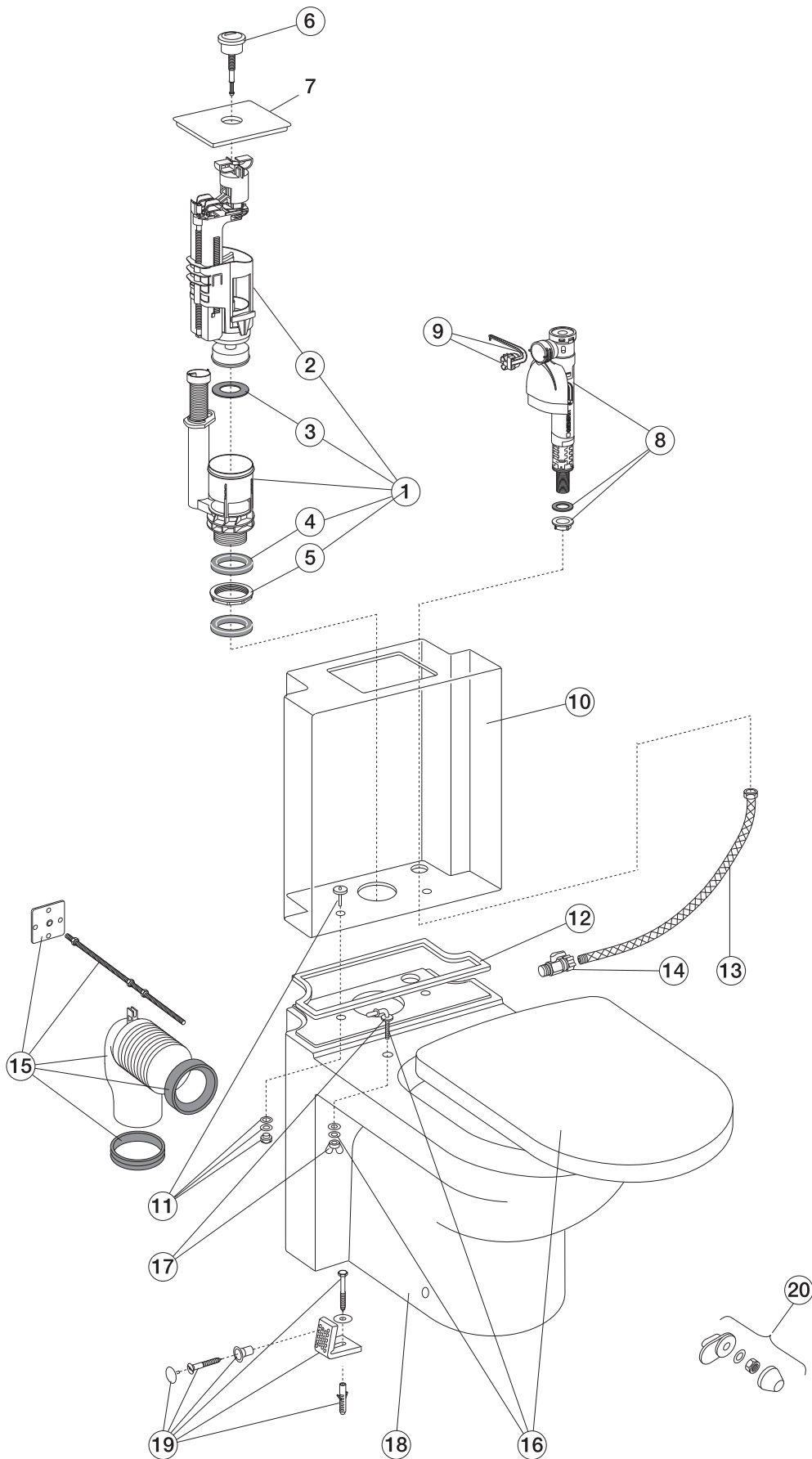


RESERVEDELER

DETALJENUMMER OG PRODUKT	NRF. NR.	ART. NR.	VEIL. PRIS EKS. MVA.	VEIL. PRIS INKL. MVA.
1 Ventil Duo		9GS01600	646	808
2 Trykknapp		9GS01561	239	299
3a T2 Trykknapp Duo, krom	6025882	GB19299T2951	205	256
3b T2 Trykknapp Enkel, krom	6025883	GB19299T2952	194	243
4 T2/T1/K sisternelokk, hvit	6024962	GB19299K1931	172	215
Sisternelokk matt krom f/Nordic Star	6025632	GB19299S1931	233	291
5 T2/T1/K Ventilhuspakning	6025812	GB19299TK962	72	90
6 T2/T1/K bunnventilpakning	6025831	GB19299TK961	68	85
7 T2/T1/K mutter til bunnventil	6025813	GB19299TK960	59	74
8 T2 sisternelokk Public 6 ltr.rustrfritt	6025353	GB1929901991	695	869
9 Sистерepakning	6026555	GB1929900320	69	86
10 GB Universal flottørventil		9GS01300	568	710
Membran		9GS01400	133	166
*) GB Flottørventil for sideforbinding	6025896	GB1929901974	648	810
11 GB Membran/hus sett universal		GB19299P0206	133	166
12 Avstengningsventil	6025675	GB1929900503	128	160
13 Sisternebolt	6026527	GB1929900319	162	203
14 Sisterne	6092501	GB182200001200	1.562	1.953
15 Skål 2300, hvit	6090202	GB182300001200	2.854	3.568
Skål 2300 med C+	6023601	GB1823000R1200	3.531	4.414
Skål 2310, hvit	6090203	GB182310001200	2.854	3.568
Skål 2310 med C+	6023602	GB1823100R1200	3.531	4.414
Skål 2340, hvit	6090205	GB182340001200	4.738	5.923
Skål 2340 med C+	6023668	GB1823400R1200	5.417	6.771
Skål 2350, hvit	6023603	GB182350001200	4.738	5.923
Skål 2350 med C+	6023609	GB1823500R1200	5.417	6.771
Skål 2391, hvit	6023629	GB182391001200	2.897	3.621
16 Dekkluke f/2300, 2340	6025833	GB1929903410	152	190
Veggmont.sett f/ 2330 (for ovale bolthull)	6025677	92207401	140	175
20 Nordic standard propensete, hvitt	6096503	GB1919902002	228	285
Nordic hardplastsete med soft close, hvitt	6025507	GB1919902055	1.131	1.414
Nordic hardplastsete m/soft close, sort	6025405	GB1919902065	1.421	1.776
Nordic lux-sete m/rustfrie fester	6096504	GB1919902070	884	1.105
22a Rustfrie fester f/hardplastsete(Polypipe)-2007	6025671	GB1911101291	328	410
23 Lift-off setefester (par)	6025684	GB1919901839	186	233
24a Festedetaljer for soft close seter (par)	6025631	GB1919901845	472	590
25 T1 komplett knapp, Duo, fkr.	6025808	GB19299T1951	205	256
26 T1 Festeboyle, Duo	6025807	GB19299T1956	169	211
27 K komplett knapp, enkel, 6 ltr	6025816	GB19299K1951	194	243
28 K festeboyle, enkel, 6 ltr	6025815	GB19299K1956	169	211
29 K adapter, til 6 ltr, Kega till Twico II (gammel utløpsventil)	6025798	GB19299KT959	100	125
Skruepose (skruer/plugger/limplugger 4 st)	6025633	GB1929900365	69	86
Limplugger f/festehull i foten (4 st)	6025634	GB1929900168	36	45
Forhøyningssokkel f/2300	6025701	GB1927634600	1.681	2.101
Forhøyningssokker f/2310	6025704	GB1927569710	1.681	2.101
Hengsler Nordic HC-seter	6025759	GB88306051	386	483

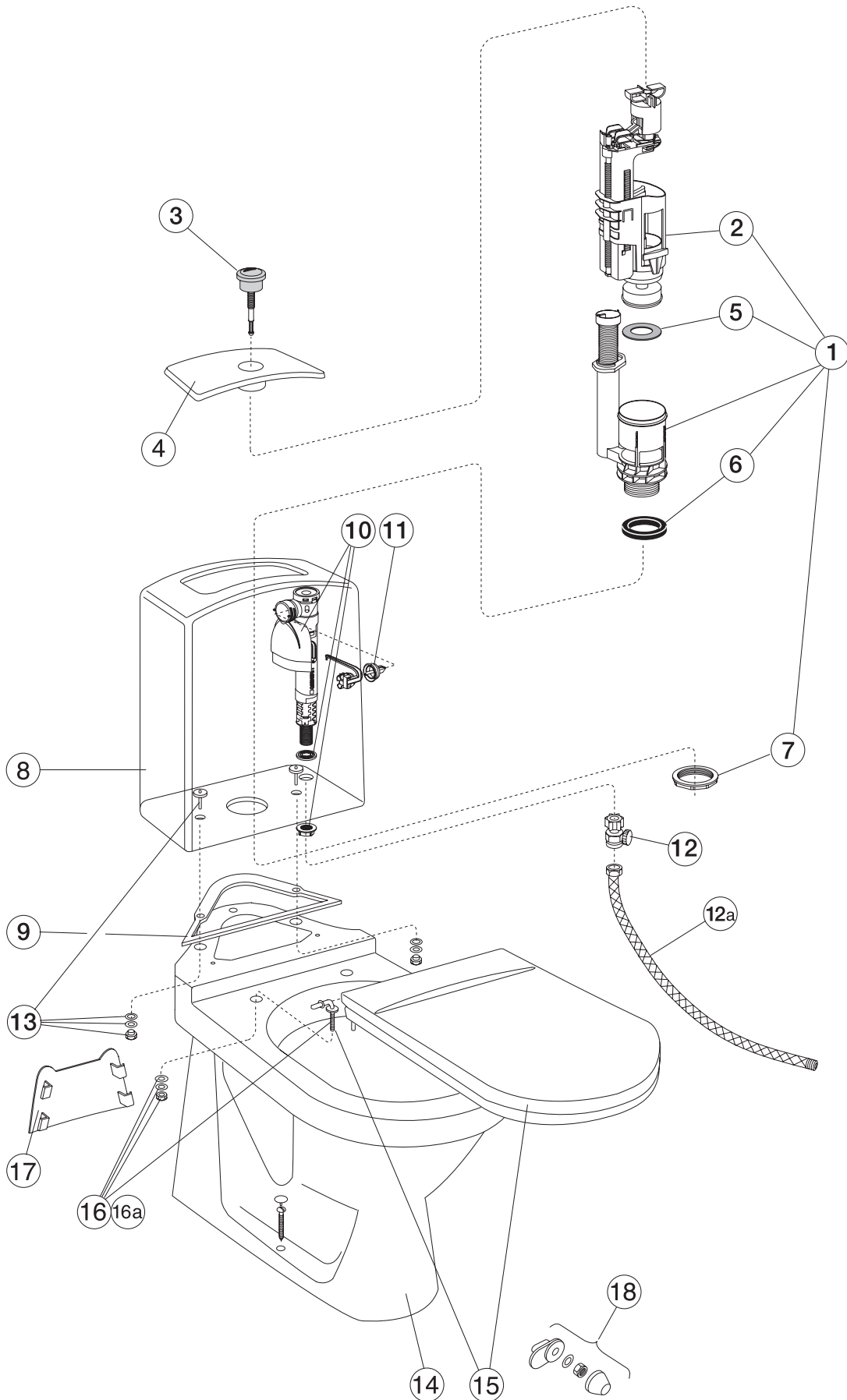


DETALJENUMMER OG PRODUKT	NRF. NR.	ART. NR.	VEIL. PRIS EKS. MVA.	VEIL. PRIS INKL. MVA.
3 ST-17 Sisternelokk med trykknapp, hvit	6026591	GB1929900283	283	354
3a Lokkmutter	6025686	GB1929901545	57	71
4 ST-Bunnventil	6026581	GB1929900282	322	403
5 ST-22 Løfteanordning	6026373	GB1929900209	120	150
6 Sистерne uten lokk, uten armatur	6024346	GB1042900101	1.562	1.953
Ditto til toalett 398	6025756	GB1042980101	2.238	2.798
7 Ventilball Universal	6026212	GB1929900260	99	124
8 ST-2 senterstang	6025845	GB1929900347	73	91
9 Sистерnepakning	6026555	GB1929900320	69	86
10 GB Flottørventil		9GS01300	568	710
Membran		9GS01400	133	166
*) GB Flottørventil sidekople	6025896	GB1929901974	648	810
11 GB Membransett		GB19299P0206	133	166
12 Sистерnebolt	6026527	GB1929900319	162	203
13 Standardsete	6025412	GB1919901702	228	285
14 Hardplastsete	6025421	GB1919901201	592	740
16 Hardplastsete med rustfrie fester, hvit	6025414	GB1919901950	920	1.150
17 Rustfrie fester (par)	6026519	GB1919901831	328	410
18 Skål f/ 339	6025682	GB1043390101	5.133	6.416
Skål f/392/398 P-lås, hvit	6023661	GB1043920101	2.694	3.368
25 Tilkopling f/urinsepareringsrør	6025681	GB41635960	116	145
27 Utskifningsventil Nordic Duo	6025793	GB19299N2937	645	806
28 U2/U1 lokk f/utskifningsventil duo, hvit	6025839	GB19299U1931	172	215
29 NT-27 Trykknapp/Ramme, Arctic, hvit**	6026389	GB1929900324	183	229
30 Sisternelokk m/trykknapp til Nordic Duo	6026592	GB1929900361	300	375
31 T1 komplett knapp, Duo	6025808	GB19299T1951	205	256
32 T1 festeboyle, Duo	6025807	GB19299T1956	169	211
Keramisk gummi	6025842	GB1923100802	413	516
Trykknapp for 394		GB19299S3951	205	256
Utløpsventil for WC 339		9GS01600	646	808
Trykknapp		9GS01561	239	299



RESERVEDELER

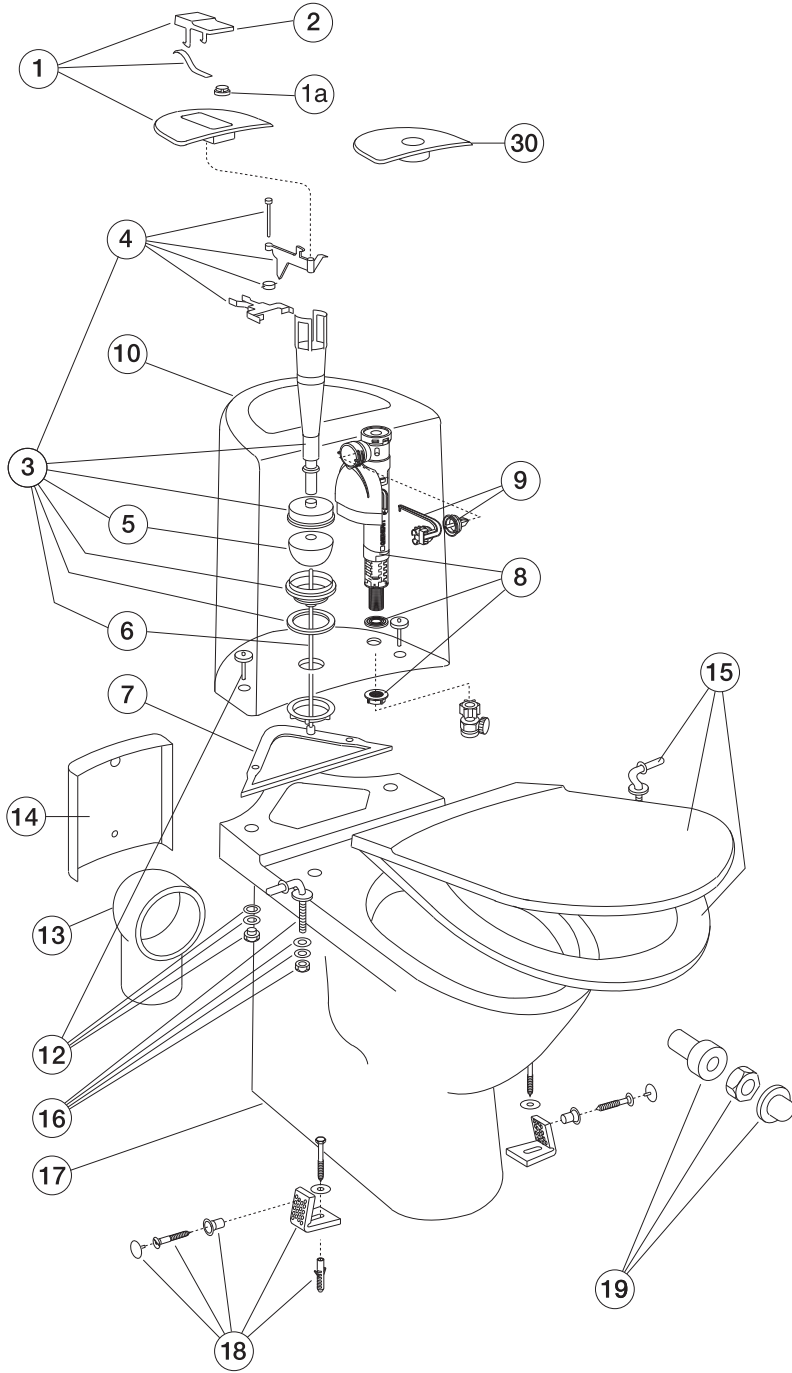
DETALJENUMMER OG PRODUKT	NRF. NR.	ART. NR.	VEIL. PRIS EKS. MVA.	VEIL. PRIS INKL. MVA.
1 Ventil		9GS01600	646	808
2 Trykknapp		9GS01561	285	299
3 T1/T2/K Ventilhuspakning	6025812	GB19299TK962	72	90
4 T1/T2/K bunnventilpakning	6025831	GB19299TK961	68	85
5 Mutter til bunnventil	6025813	GB19299TK960	59	74
6 T2 Trykknapp Duo, krom	6025882	GB19299T2951	205	256
7 T2 sisternelokk Artic	6025901	GB1929900500	167	209
8 GB Flottørventil		9GS01300	568	710
Membran		9GS01400	133	166
9 GB Membransett		GB19299P0206	133	166
10 Sистерne uten lokk og armatur f/4300, 4310	6025906	GB184200001200	2.193	2.741
11 Sisternebolter	6025905	GB1929900505	156	195
12 Sisternepakning	6025904	GB1929900504	80	100
13 Fleksibel tilkoplingslange	6025902	GB1929900502	143	179
14 Avstengningsventil	6025675	GB1929900503	128	160
16 Artic hardplastsete med SC/QR, hvitt	6025508	9M16S101	1.730	2.163
Soft close dempere		92242400	174	218
Soft close / quick release hengsler		92241761	492	615
Artic hardplastsete med SC/QR, sort	6025509	9M16S136	2.135	2.669
18 Skål f/4300/4310	6025908	GB184310001200	4.797	5.996
Skål f/ 4300/4310 med C+	6025917	GB1843100R1200	5.475	6.844
19 Gulvfeste	6025847	GB1929900381	172	215
20 Veggmonteringssett f/ 4330, hvit	6025677	92207401	140	175
Utløpsventil for WC 339		9GS01600	646	808
Trykknapp		9GS01561	239	299



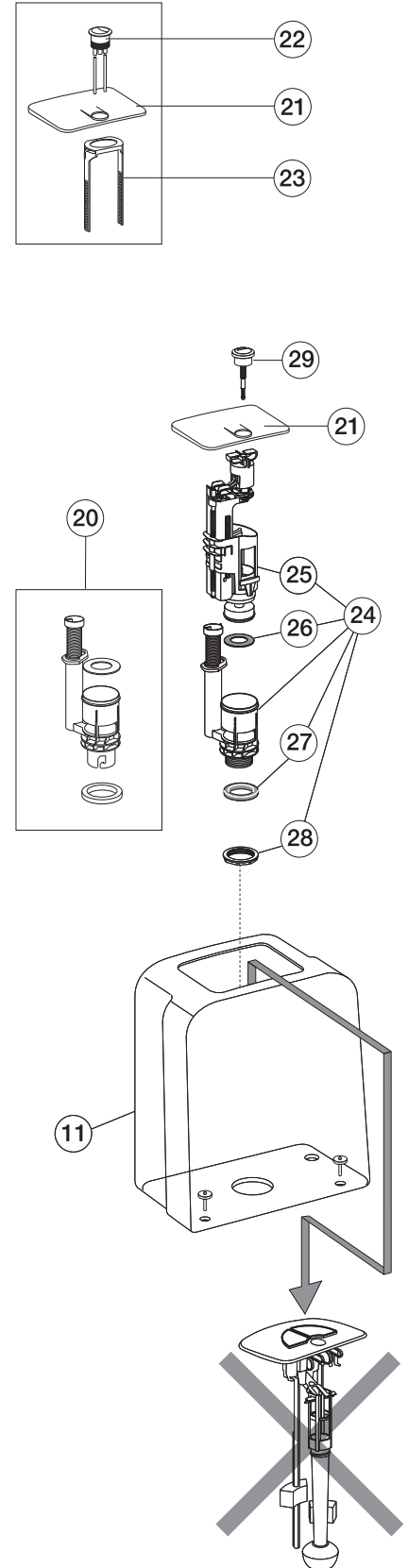
RESERVEDELER

DETALJENUMMER OG PRODUKT	NRF. NR.	ART. NR.	VEIL. PRIS EKS. MVA.	VEIL. PRIS INKL. MVA.
1 Utløpsventil		9GS01600	646	808
2 Trykknapp		9GS01561	239	299
3 T2 Trykknapp Duo, krom	6025882	GB19299T2951	205	256
4 Sisternelokk	6024965	8193B901	330	413
5 T2/T1/K ventilhuspakning	6025812	GB19299TK962	72	90
6 T2/T1/K binventilpakning	6025831	GB19299TK961	68	85
7 T2/T1/K mutter f/bunnventil	6025813	GB19299TK960	59	74
9 Sisternepakning f/toalett 5696 S-lås	6026555	GB1929900320	69	86
Sisternepakning f/toalett 5696 P-lås	6025924	GB1929900506	68	85
10 GB flottørventil		9GS01300	568	710
Membran		9GS01400	133	166
11 GB membransett		GB19299P0206	133	166
12 Avstengningsventil	6025903	GB1929900503	128	160
12a Fleksibel tilkoplingslange	6025902	GB1929900502	143	179
13 Sisternebolt	6026527	GB1929900319	162	203
15 Logic hardplastsete med rustfrie fester	6025517	9M016101	894	1.118
16 Festedetaljer for soft close seter	6025631	GB1919901845	472	590
17 Dekkluke 5696	6025833	GB1929903410	152	190
18 Festedetaljer for veggskål	6025677	92207401	140	175
Limplugger for festehull i fot (4 stk)	6025634	GB1929900168	36	45
Soft close dempere		92242400	174	218

Skandic



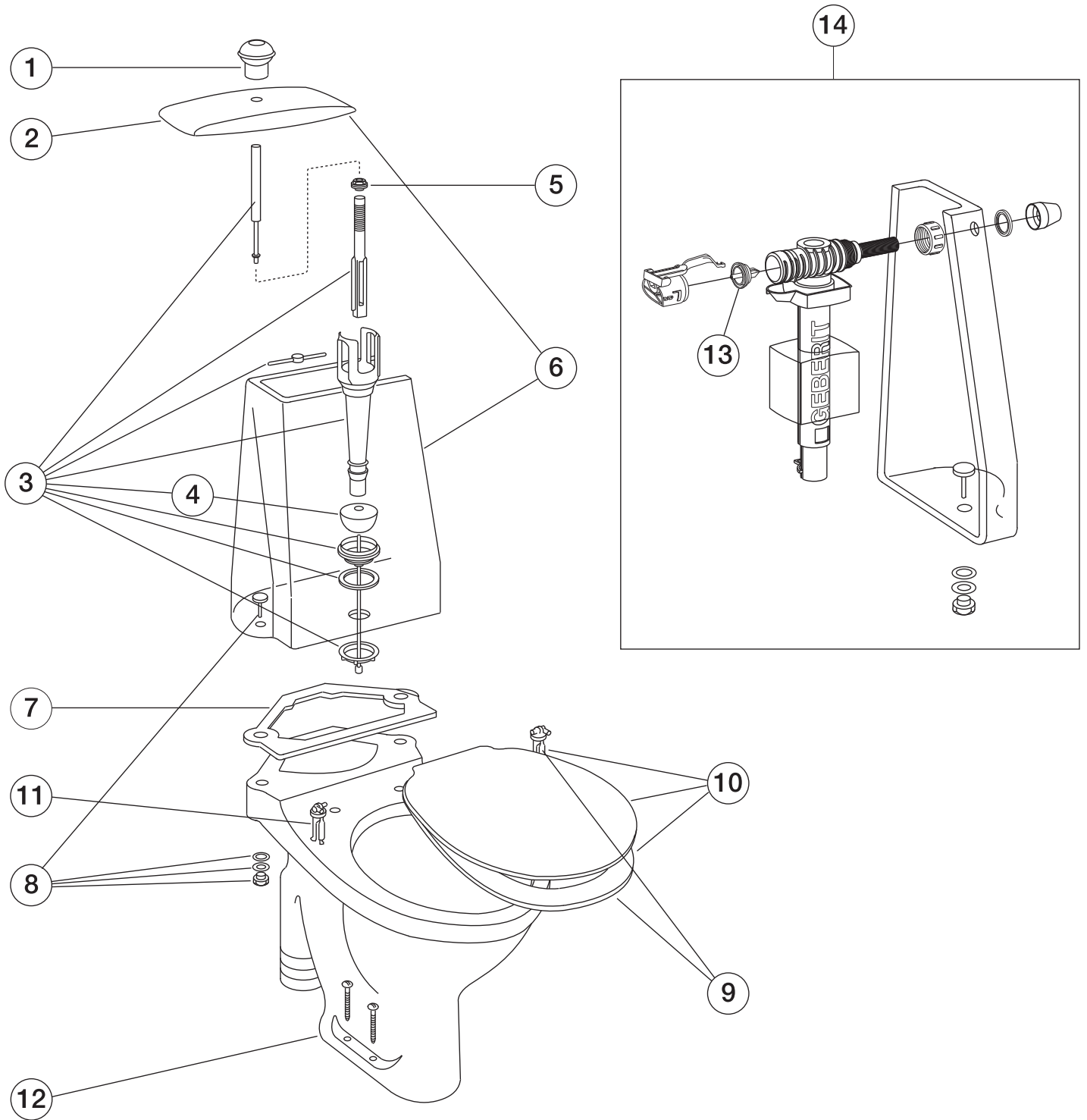
Classic





Reserveledere - Skandic/Classic 1995-2007

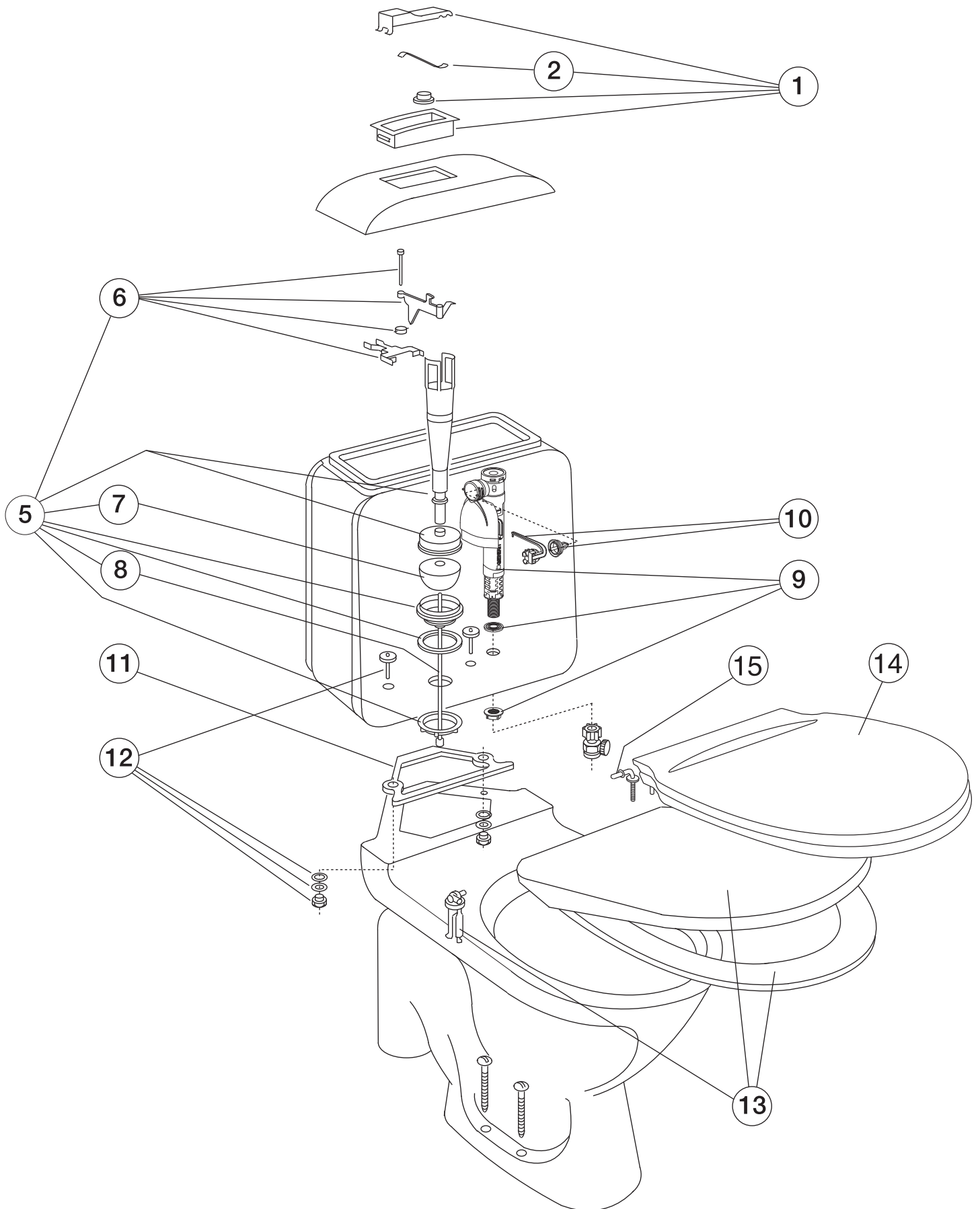
DETALJENUMMER OG PRODUKT	NRF. NR.	ART. NR.	VEIL. PRIS EKS. MVA.	VEIL. PRIS INKL. MVA.
1 ST-24 Sистерnelokk m/trykknapp, hvit	6024976	GB1929900338	528	660
1a Lokkmutter	6025686	GB1929901545	57	71
3 ST-Bunnventil	6026581	GB1929900282	322	403
4 ST-22 Løftestang	6026373	GB1929900209	120	150
5 NP/NT/ST Ventilball	6026212	GB1929900260	99	124
6 ST-2 senterstang	6025845	GB1929900347	73	91
7 Sистерnepakning	6025557	GB1929900344	109	136
8 GB Flottørventil		9GS01300	568	710
Membran		9GS01400	133	166
9 GB Membransett		GB19299P0206	133	166
11 Sистерne u/lokk og u/armatur f/360,364	6024339	GB1042640101	1.772	2.215
12 Sистерnebolt, par	6025846	GB1929900356	227	284
13 Avløpstuss til toalett 330, 360	6025844	GB1929900345	635	794
15 Hardplastsete med rustfrie fester	6025419	GB1919901601	1.320	1.650
16 Rustfrie setefester	6025851	GB1919901832	328	410
Skål f/334, 364, hvit	6023623	GB1043340101	4.009	5.011
18 Gulvfeste	6025847	GB1929900381	172	215
22 T1 Knapp Duo	6025808	GB19299T1951	205	256
23 T1 Festeboyle, Duo	6025807	GB19299T1956	169	211
24 Utløpsventil		9GS01600	646	808
25 Trykknapp		9GS01561	239	299
26 Ventilhuspakning	6025812	GB19299TK962	72	90
27 Bunnventilpakning	6025831	GB19299TK961	68	85
28 Mutter til bunnventil	6025813	GB19299TK960	59	74
29 T2 Trykknapp Duo, krom	6025882	GB19299T2951	205	256
30 Sистерnelokk Skandic, rund knapp	6024964	GB19299T2800	351	439





Reservedeler - Barnetolett 305, 1950

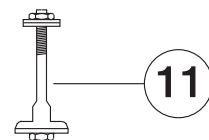
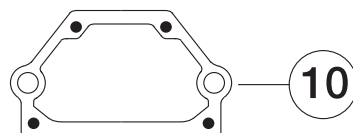
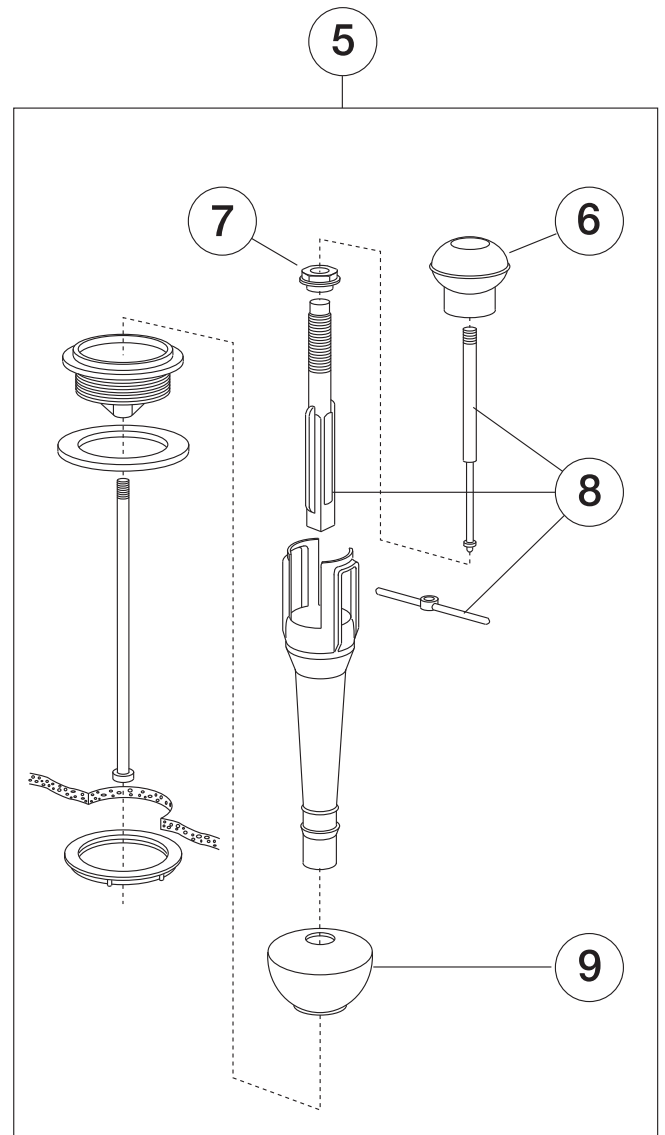
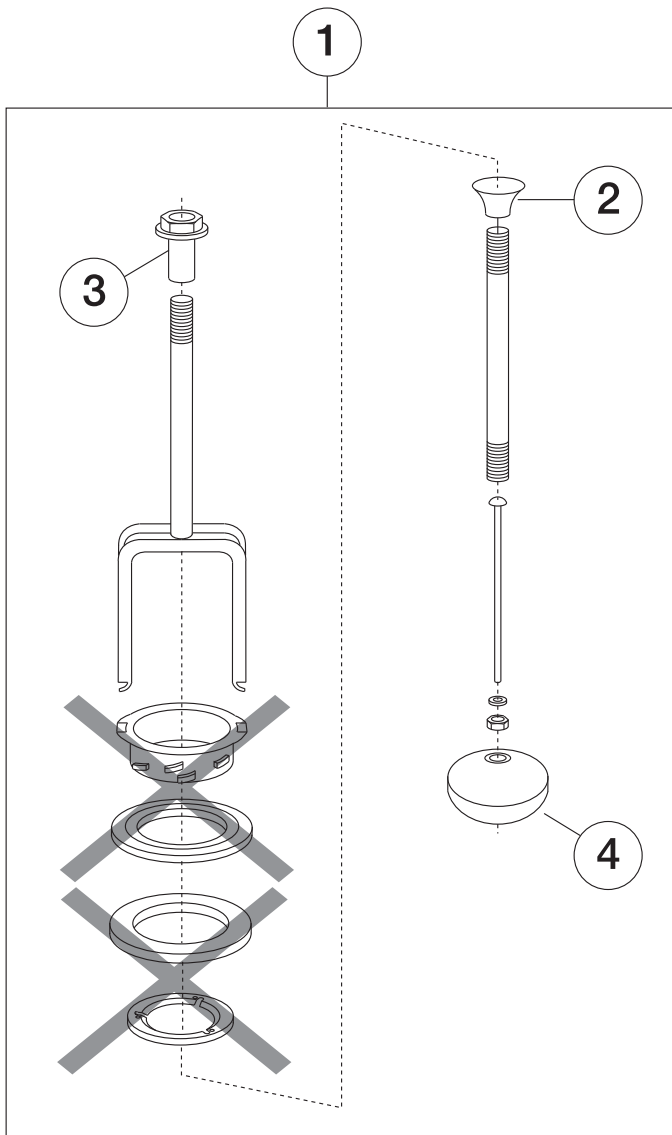
DETALJENUMMER OG PRODUKT	NRF. NR.	ART. NR.	VEIL. PRIS EKS. MVA.	VEIL. PRIS INKL. MVA.
1 NP-11 Løfteknott	6026414	GB1929900237	81	101
2 Sisternelokk (år 1992-)		77360001	411	514
3 NP-20 Bunnventil (år 1982-)	6026421	GB1929900238	569	711
4 NP/NT/ST Ventilball	6026213	GB1929900260	99	124
5 NP-10 Lokkmutter	6026411	GB1929900236	66	83
6 Sистерne med lokk, uten armatur (år 1992-)	6024327	GB1042060101	2.695	3.369
7 Sистерnepakning	6026545	GB1929900316	80	100
8 Sистерnebolt	6026525	GB1929900217	162	203
9 Hvit propensete f/305 uten lokk	6025407	GB1919901286	304	380
10 Hvit propensete f/305 med lokk	6025406	GB1919900910	1.169	1.461
11 Ekspansjonsfeste f/propensete	6026511	GB1929901453	64	80
12 Skål	6023611	GB1043050101	5.018	6.273
14 GB Flottørventil, sidekoblet	6025896	GB1929901974	648	810
NP, Evalet 210, 220, 230, NP21 løftestang	6025923	GB1929900239	179	224





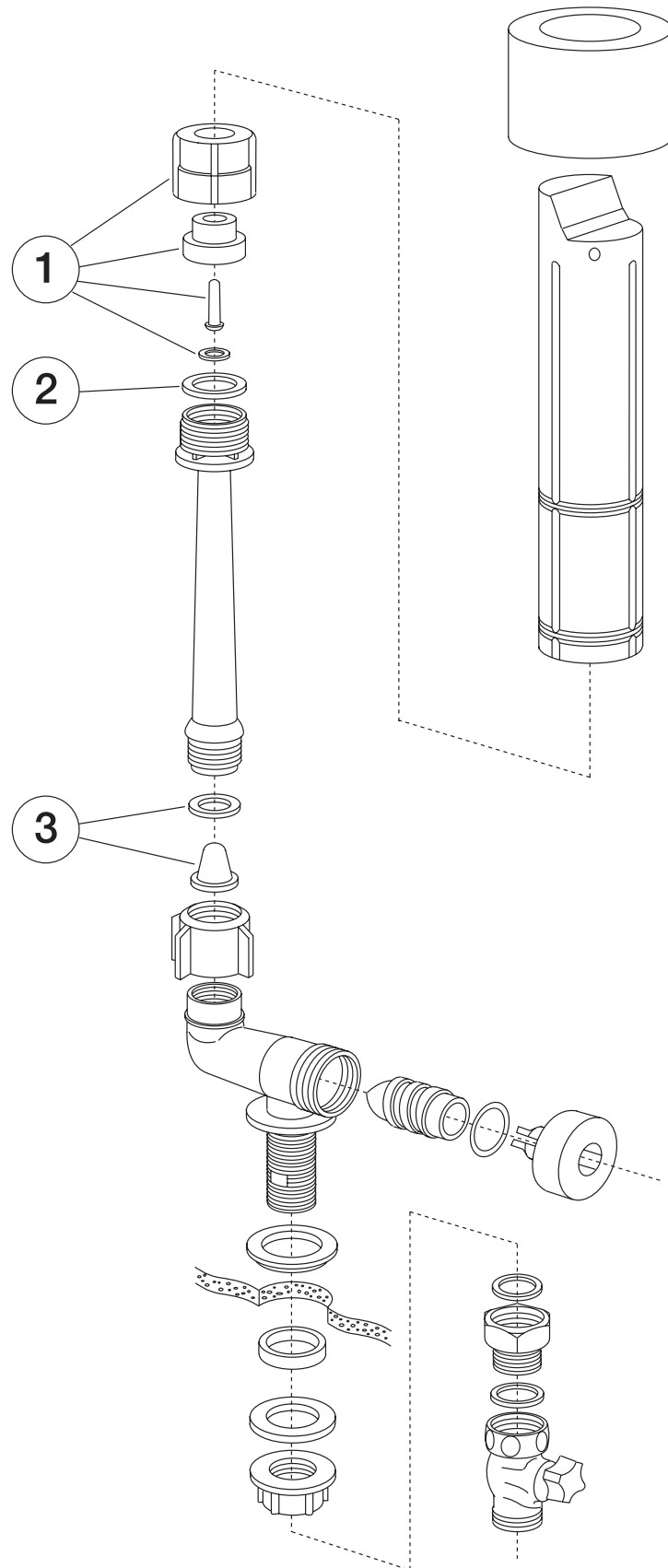
Reservevedeler - 325, 344, 1977-1995

DETALJENUMMER OG PRODUKT	NRF. NR.	ART. NR.	VEIL. PRIS EKS. MVA.	VEIL. PRIS INKL. MVA.
1 NT-21 trykknapp/ramme, hvit	6026366	GB1929900208	193	241
2 Fjær	6025848	GB1929901244	47	59
5 ST-Bunnventil	6026581	GB1929900282	322	403
6 ST-22 løfteanordning	6026373	GB1929900209	120	150
7 NP/NT/ST Ventilball	6026212	GB1929900260	99	124
8 ST-2 senterstang	6025845	GB1929900347	73	91
9 GB Flottørventil		9GS01300	568	710
Membran		9GS01400	133	166
*) GB Flottørventil sidekoplet	6025896	GB1929901974	648	810
10 GB Membransett		9GS01400	133	166
11 Sистернеpakning f/toalett 325	6026541	GB1929900216	69	86
Sистернеpakning f/344	6026543	GB1929900315	69	86
12 Sистерnebolt f/315/325	6026525	GB1929900217	162	203
13 Hvitt propensete f/325	6025411	GB1929900226	304	380
14 Hvitt universalsete f/325	6025415	GB1919901900	932	1.165
15 Rustfrie fester, stillbare	6026518	GB1919901830	143	179
Nippelmuffe - TF35	6026266	GB1929900058	92	115



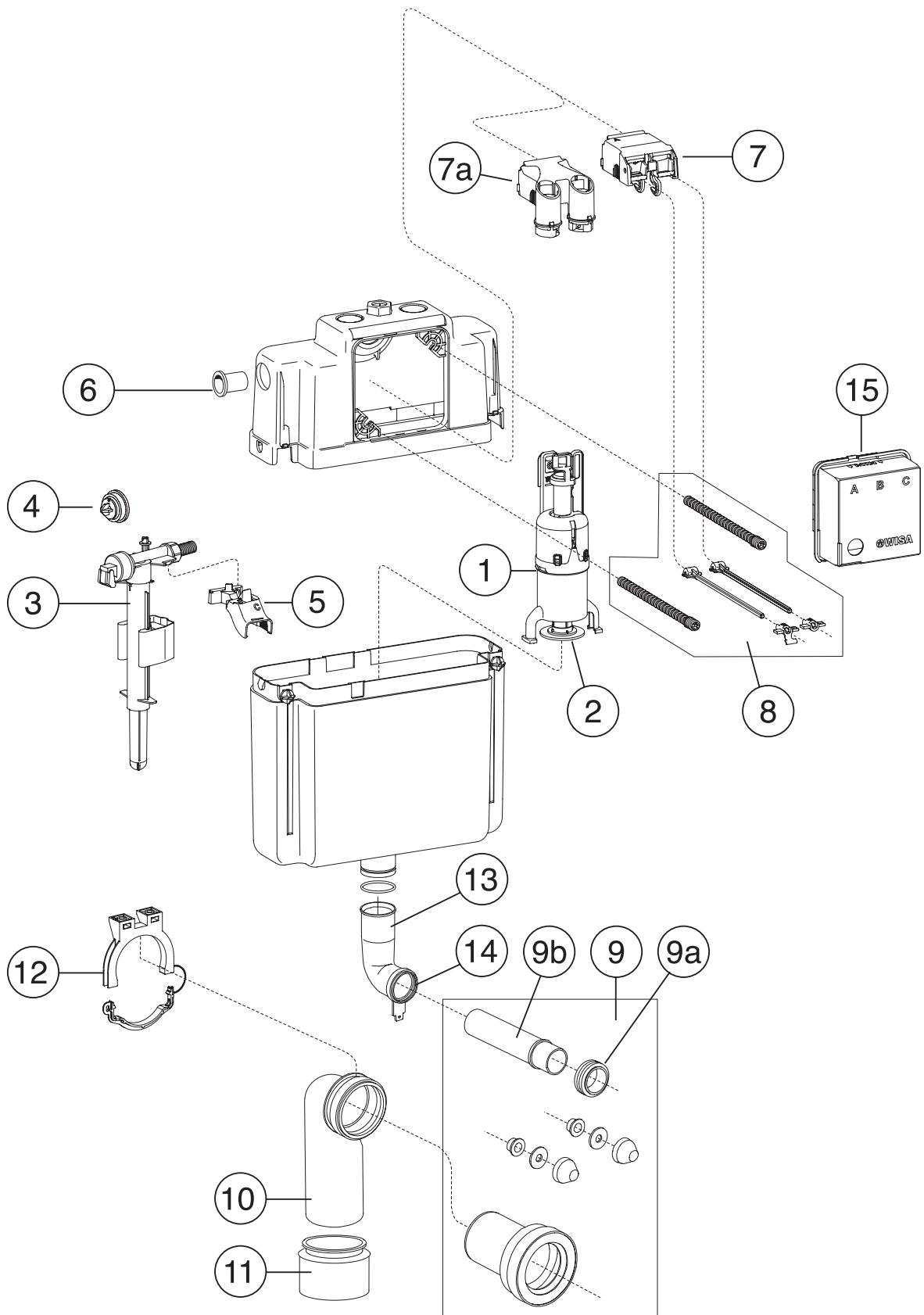


DETALJENUMMER OG PRODUKT	NRF. NR.	ART. NR.	VEIL. PRIS EKS. MVA.	VEIL. PRIS INKL. MVA.
1 NC Bunnventil til samtlige modeller prod. før 1982 utenom 305 og gamle 360	6026201	GB1929900211	618	773
2 NC-10 Løfteknapp	6026221	GB1929900291	83	104
3 NC-8 Lokkmutter	6025922	GB1929900332	31	39
4 NC-5 Ventilball Universal	6026213	GB1929900244	99	124
5 NP-20 løfteventil	6026421	GB1929900238	569	711
6 NP-11 Løfteknott	6026414	GB1929900237	81	101
7 NP-10 toppmutter	6026411	GB1929900236	66	83
8 NP-21 Løfestang	6025923	GB1929900239	179	224
9 NP/NT/ST Ventilball	6026212	GB1929900260	99	124
10 Sisternepakning f/ 315/325	6026541	GB1929900216	69	86
11 Sisternebolt f/315/325	6026525	GB1929900217	162	203



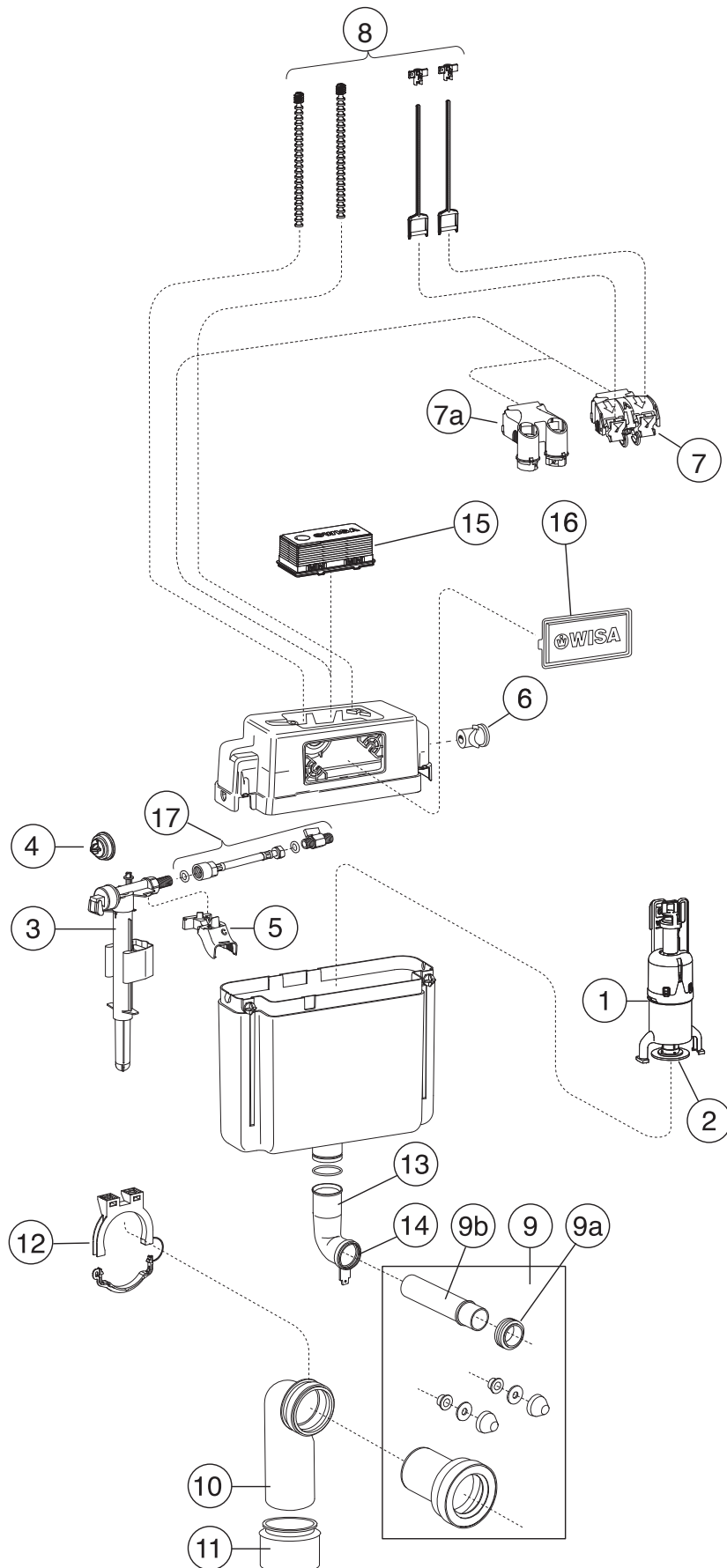


DETALJENUMMER OG PRODUKT	NRF. NR.	ART. NR.	VEIL. PRIS EKS. MVA.	VEIL. PRIS INKL. MVA.
1 TF-33 Servoventil	6026262	GB1929900233	144	180
2 TF-11 Membran	6026247	GB1929900229	69	86
3 TF-9 Sil, pakning	6026244	GB1929900228	69	86
TP-10 Membran	6026282	GB1929900330	57	71
<i>OBS! Samtlige gamle, komplette flottørventiler erstattes av GB flottørventil</i>				

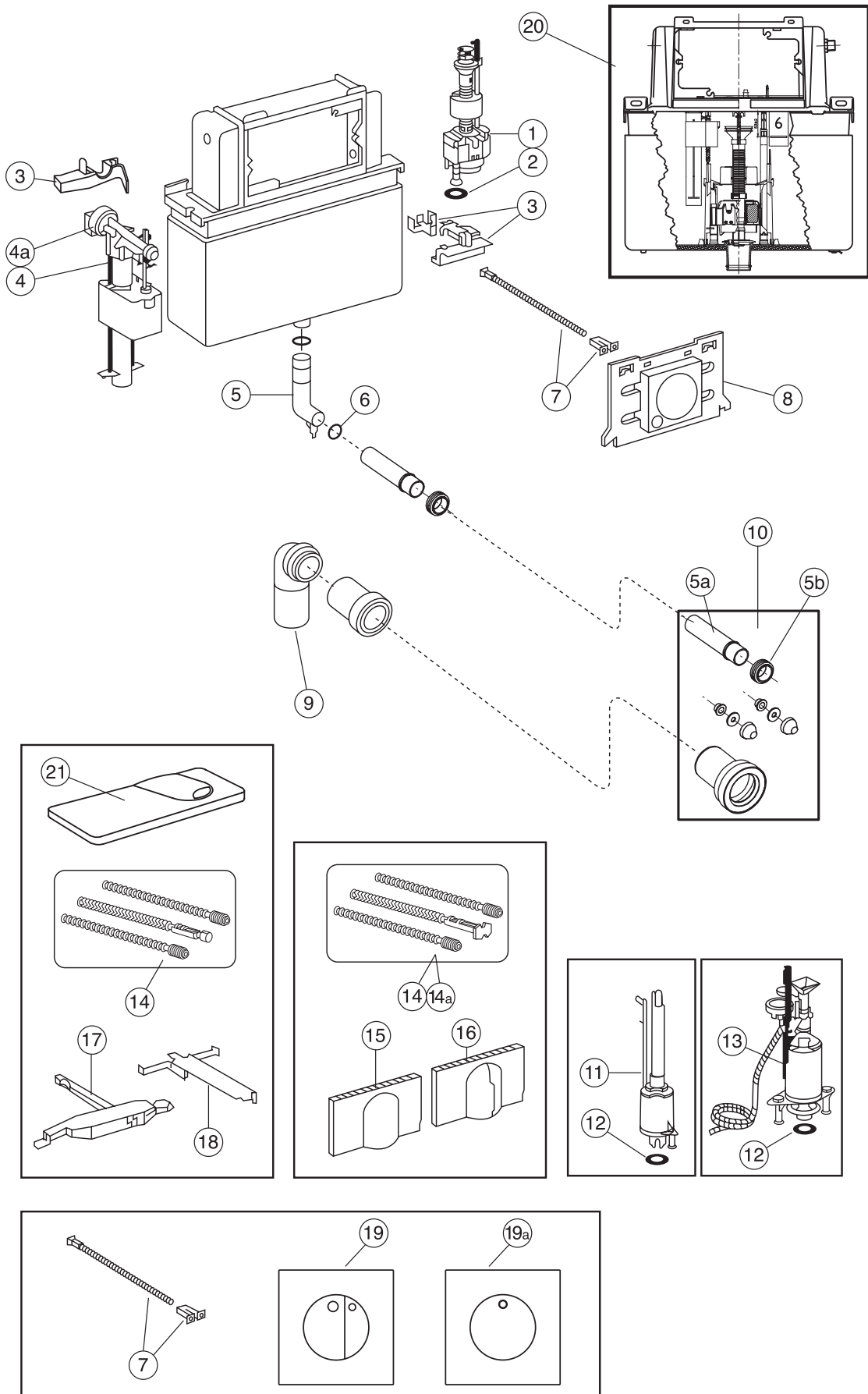


RESERVEDELER

DETALJENUMMER OG PRODUKT	NRF. NR.	ART. NR.	VEIL. PRIS EKS. MVA.	VEIL. PRIS INKL. MVA.
1 Bunnventil Duo/Enkel	6025943	GB1921100370	370	463
2 Tetning bunnventil	6025944	GB1921100371	151	189
3 Flottørventil	6025945	GB1921100372	542	678
4 Membran	6025946	GB1921100373	143	179
5 Feste flottørventil	6025947	GB1921100375	155	194
7 Mekanisk løfteanordning XS	6025949	GB1921100377	215	269
7a Pneumatisk løfteanordning	6025626	GB1921100394	366	458
8 Sett med fiksering/manøverpinner enkelspylning XS	6025951	GB1921100378	202	253
8 Sett med fiksering/manøverpinner dobbelspylning XS	6025952	GB1921100379	215	269
9 Sett toalett-tilkopl.	6025953	GB1921100380	655	819
Spylerør L= 300 mm				
Tilkopling spylerør				
Avløpsrør L = 300 mm				
Veggmonteringssett				
9a Tilkopling spylerør	6025954	GB1921100381	151	189
9b Spylerør L= 300 mm	6025752	GB1921100111	196	245
10 Avløpsbend 90x90 mm	6025955	GB1921100382	377	471
11 Exsenter 90x110 mm	6025956	GB1921100383	294	368
12 Fiksering avløpsbend	6025957	GB1921100384	172	215
13 Spylerør med feste XS	6025958	GB1921100385	254	318
14 Tetningsring spylerør XS	6025959	GB1921100386	148	185
15 Beskyttelseskappe XS	6025961	GB1921100387	193	241
Boltesett for XS	6025674	GB1921102028	92	115
Pakning mot vegg bak toalett		GB1921100388	106	133
Pneumatisk slange for trykkplate XS/XT	6023008	GB1921100398	137	171
Rep. sett for feste m/trykknapp		GB1921100389	161	201



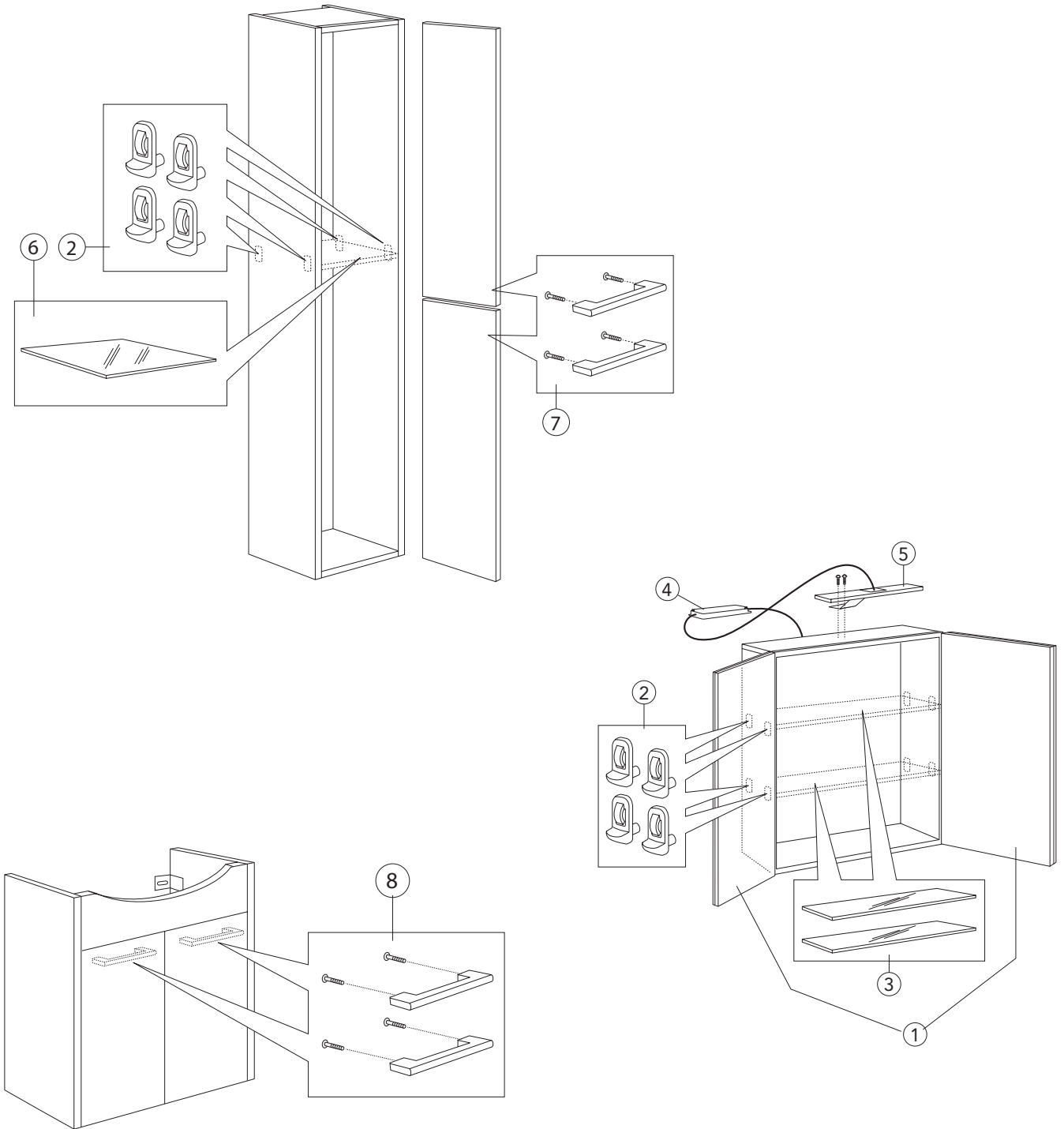
DETALJENUMMER OG PRODUKT	NRF. NR.	ART. NR.	VEIL. PRIS EKS. MVA.	VEIL. PRIS INKL. MVA.
1 Bunnventil	6025943	GB1921100370	370	463
2 Tetning bunnventil	6025944	GB1921100371	151	189
3 Flottørventil	6025945	GB1921100372	542	678
4 Membran	6025946	GB1921100373	143	179
5 Feste flottørventil	6025947	GB1921100375	155	194
6 Utgår Hylse XT for beskyttelsesrør 18-28 mm	6025667	GB1921100392	277	346
7 Feste med løftekrok XT	6025627	GB1921100395	215	269
7a Pneumatisk løfteanordning	6025626	GB1921100394	366	458
8 Sett med fiksering/manøverpinner XT	6025666	GB1921100391	215	269
9 Sett toalett tilkpl.	6025953	GB1921100380	655	819
Spylerør L= 300 mm				
Tilkopling spylerør				
Avløpsrør L = 300 mm				
Veggmonteringssett				
9a Tilkopling spylerør	6025954	GB1921100381	151	189
9b Spylerør L= 300 mm	6025752	GB1921100111	196	245
10 Avløpsbend 90x90 mm	6025955	GB1921100382	377	471
11 Exsenter 90x110 mm	6025956	GB1921100383	294	368
12 Fiksering avløpsbend	6025957	GB1921100384	172	215
13 Spylerør med feste	6025639	GB1921100397	172	215
14 Tetningsring spylerør	6025959	GB1921100386	148	185
15 Beskyttelseskappe XT	6025665	GB1921100390	189	236
16 Dekkåpe XT	6025638	GB1921100396	189	236
17 Fleksibel tilkoblingslangesett	6025668	GB1921100393	357	446
Pneumatisk slange for XS/XT trykkplater	6023008	GB1921100398	137	171



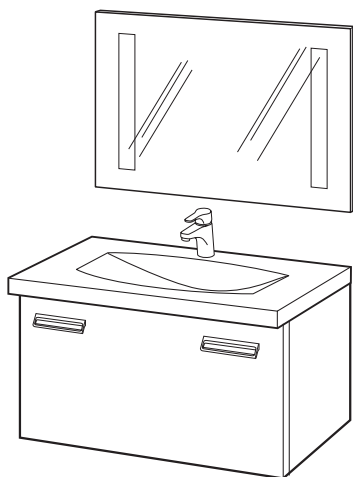
RESERVEDELER



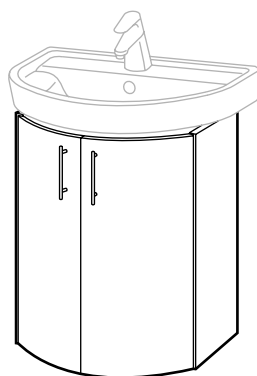
DETALJENUMMER OG PRODUKT	NRF. NR.	ART. NR.	VEIL. PRIS EKS. MVA.	VEIL. PRIS INKL. MVA.
1 Bunnventil	6025803	GB1921100095	708	885
2 Tetning bunnventil, duo	6025871	GB1921100110	45	56
3a Brygge og feste for utløpsventil	6025865	GB1921100122	228	285
4 Flottørventil	6025945	GB1921100372	542	678
4a Membran flottørventil	6025946	GB1921100373	143	179
5 Spylørør bend m/feste	6025958	GB1921100385	254	318
5a Spylørør L= 300 mm	6025752	GB1921100111	196	245
5b Tilkopling spylørør	6025954	GB1921100381	151	189
6 Tetningsring spylørør	6025959	GB1921100386	148	185
7 Distanse/låsepinne duo/enkel for pos 19	6025873	GB1921100114	208	260
8 Beskyttelseskappe for pos. 19	6025874	GB1921100115	228	285
10 Sett toalett tilkoppl.	6025953	GB1921100380	655	819
9b Spylørør L= 300 mm	6025752	GB1921100111	196	245
10 Avløpsbend 90x90 mm	6025955	GB1921100382	377	471
Spylørør L= 300 mm				
Tilkopling spylørør				
Avløpsrør L = 300 mm				
Veggmonteringssett				
11 Bunnventil enkel	6025857	GB1921100082	237	296
12 Tetning bunnventil enkel/pneumatisk	6025858	GB1921100083	46	58
13 Bunnventil Pneumatisk	6025856	GB1921100081	1.965	2.456
14 Distanse/låsepinne enkel for pos 15 och 21	6025861	GB1921100094	208	260
14a Distanse/låsepinne duo for pos 16	6025862	GB1921100098	208	260
15 Kompl. frontluke eldre utførelse enkelspylning, hvit	6025351	GB1921101171	542	678
16 Kompl. frontluke duo	6025729	GB1921101178	559	699
17 Hevearm Triomont 2903	6025863	GB1921100099	103	129
18 Brygge Triomont 2903	6025877	GB1921100118	80	100
19 Frontpanel Triomont Universal, Duo				
Hvit	6025737	GB1921102010	415	519
Matt krom	6025739	GB1921102012	881	1.101
Blank krom	6025744	GB1921102016	881	1.101
19a Frontpanel Triomont Universal, enkelspylning				
Hvit	6025738	GB1921102011	415	519
Matt krom	6025741	GB1921102013	881	1.101
Blank krom	6025745	GB1921102017	881	1.101
21 Toppbetjent panel, hvit	6025727	GB1921101191	329	411
Toppbetjent panel, krom	6025728	GB1921101188	639	799



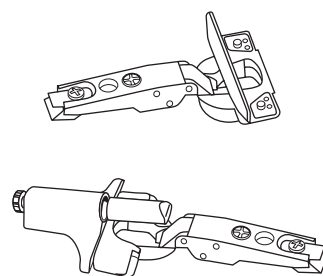
DETALJENUMMER OG PRODUKT	NRF. NR.	ART. NR.	VEIL. PRIS EKS. MVA.	VEIL. PRIS INKL. MVA.
1 Speildør venstre, Nordic3 speilskap, hvit		B00177E4	713	891
Speildør høyre, Nordic3 speilskap, hvit		B00178E4	832	1.040
Speildør venstre, Nordic3 speilskap, lys eik		B00177E9	714	893
Speildør høyre, Nordic3 speilskap, lys eik		B00178E9	832	1.040
2 Hylleknekt, Nordic3		B0017200	151	189
3 Glasshyll, Nordic3 speilskap		B0017400	294	368
4 Transformator, Nordic3 speilskap		B0017300	437	546
5 LED belysning, Nordic3 speilskap		92246700	605	756
6 Glasshyll, Nordic3 høyskap		B0017100	218	273
7 Håndtak høyskap, Nordic3		B0290061	202	253
8 Håndtak servantskap, Nordic3		B0017900	202	253



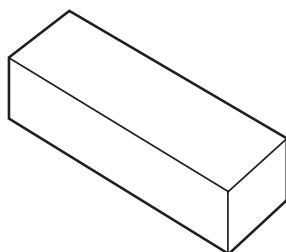
Logic



Nordic II



Hengsler til Logicmøbler



Keramisk gummi

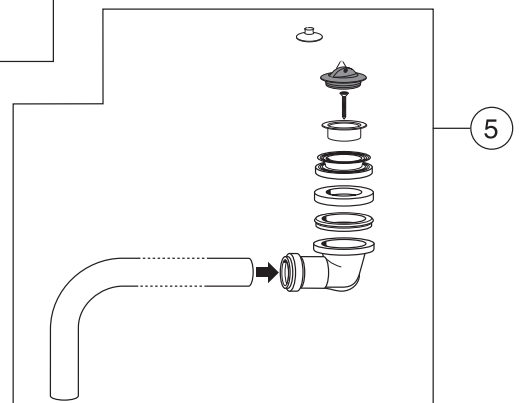
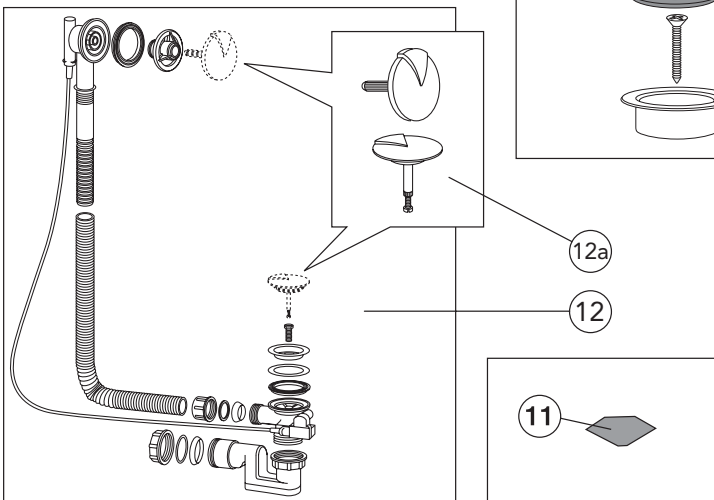
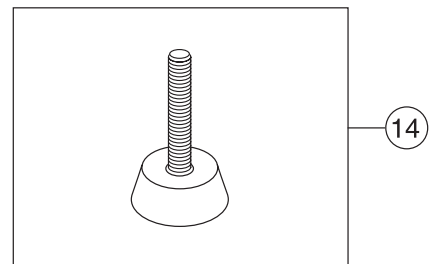
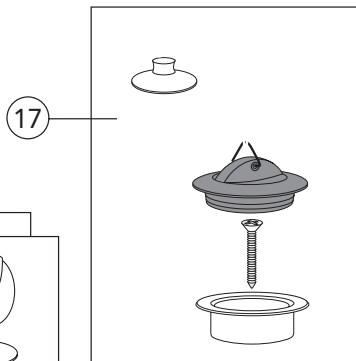
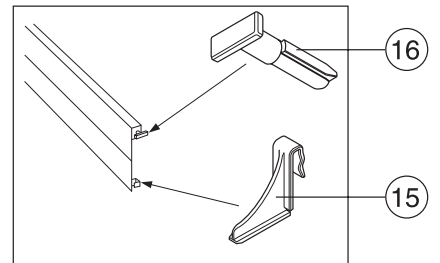
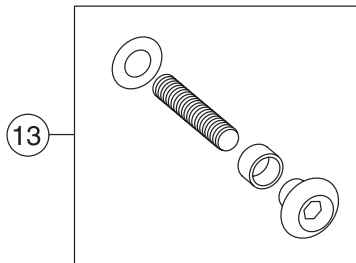
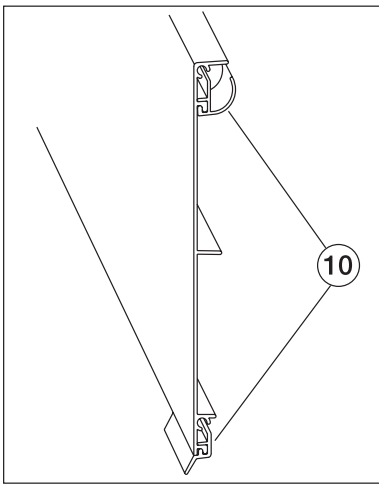
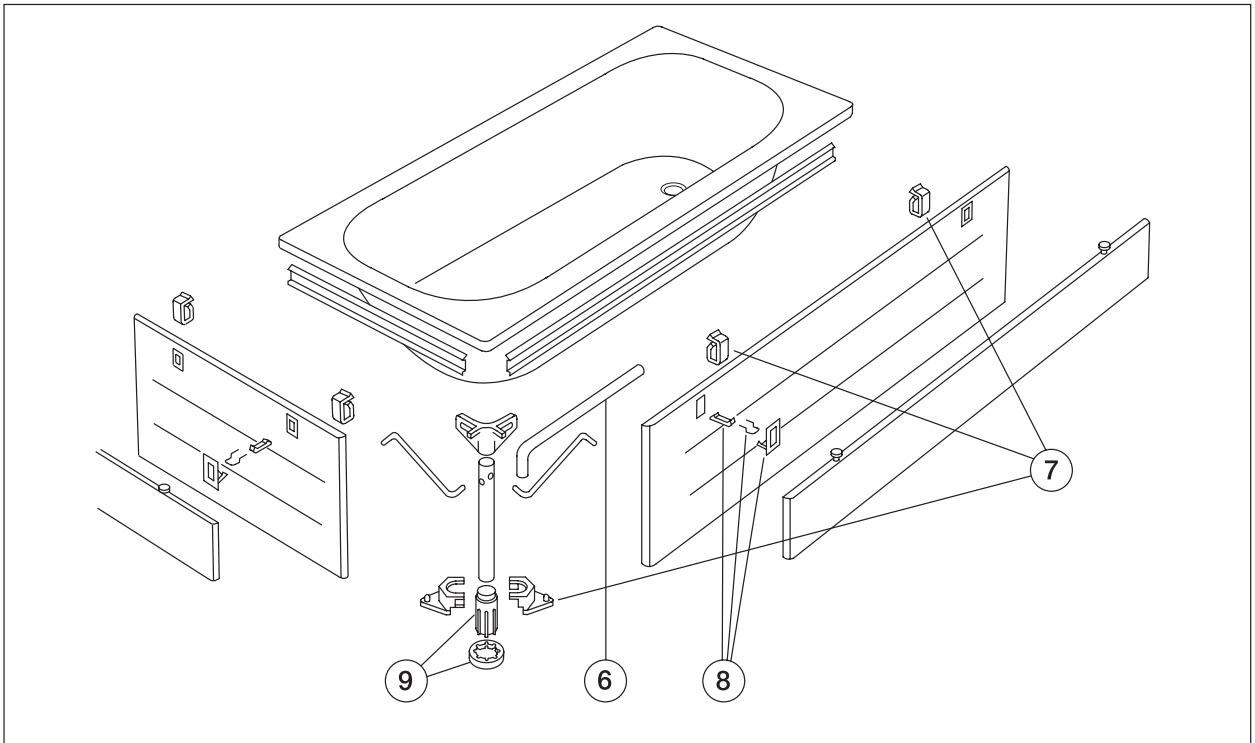
Såpedispenser

Møbler

DETALJENUMMER OG PRODUKT	NRF. NR.	ART. NR.	VEIL. PRIS EKS. MVA.	VEIL. PRIS INKL. MVA.
Nordic II Dør 2800/2810/2820, høyre/venstre, hvit 2003-2011	7031019	GB8128000100	1.243	1.554
Artic Transformator 6-pol 2005-	7031035	GB8148300001	277	346
Logic Hengsler (par) 2009-	7031022	GB8118000002	208	260

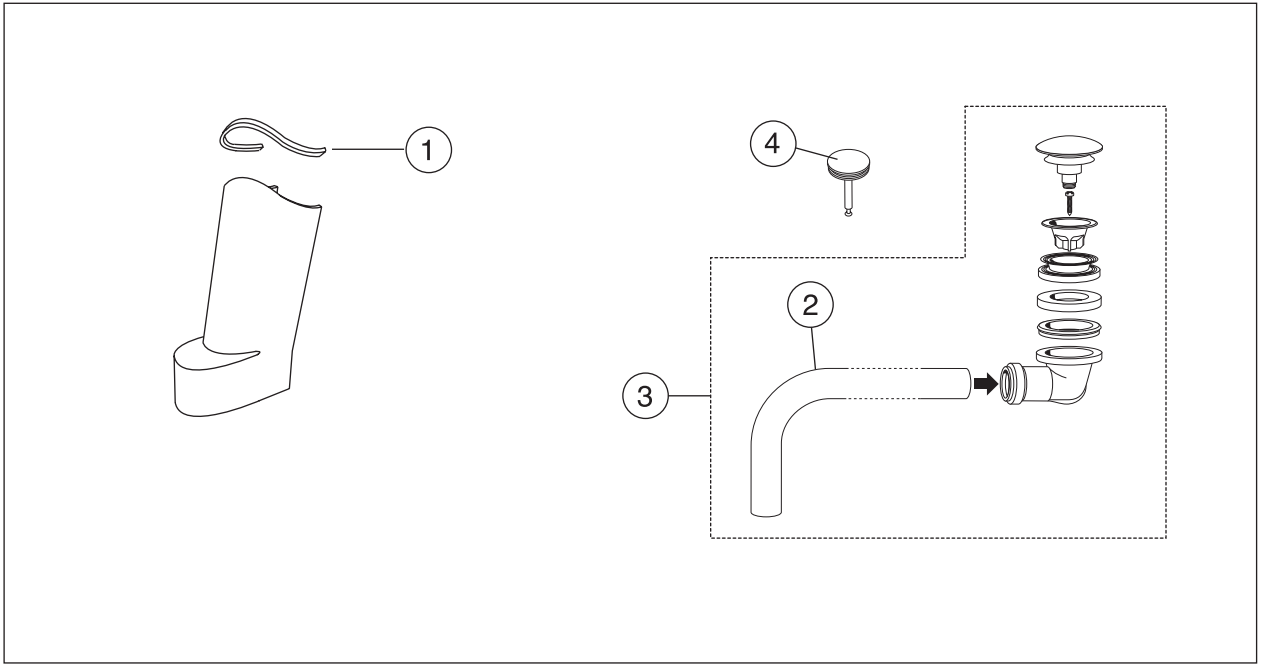
Øvrige

DETALJENUMMER OG PRODUKT	NRF. NR.	ART. NR.	VEIL. PRIS EKS. MVA.	VEIL. PRIS INKL. MVA.
Såpedispenser, komplett	6021912	GB1922100802	1.225	1.531
Øvrig Keramisk gummi	6025842	GB1923100802	413	516



Badekar

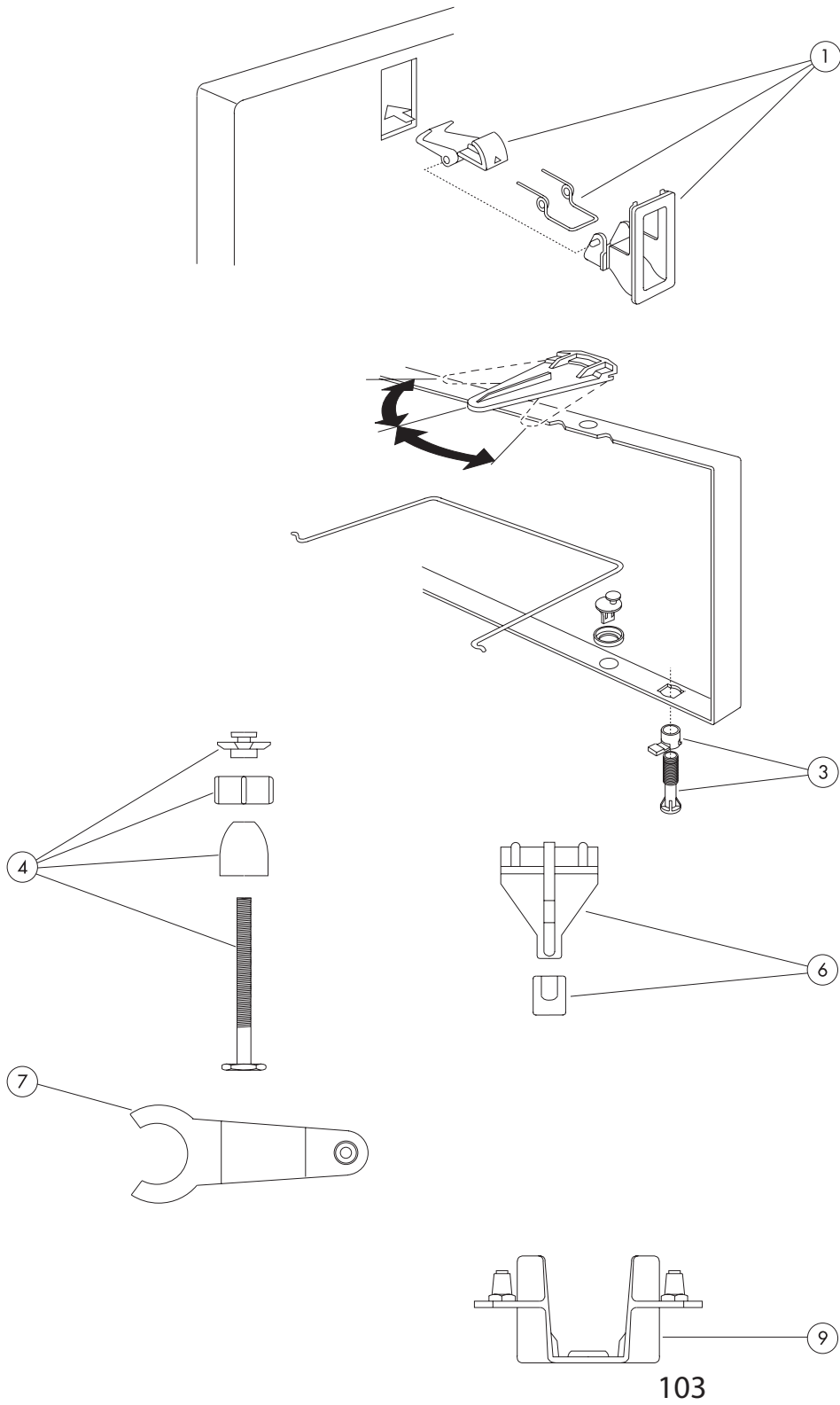
DETALJENUMMER OG PRODUKT	ÅRSTALL	NRF. NR.	ART. NR.	VEIL. PRIS EKS. MVA.	VEIL. PRIS INKL. MVA.
5 Ventilhus med propp til samtlige standardbadekar	2009-	6030129	GB2929900175	101	126
6 Utløpsrør til samtlige standardbadekar, hvit		6031935	GB2929900172	156	195
8 Frontlås til samtlige badekar, hvit	1986-2000	6031865	GB2929900115	66	83
10 Hake + fjær til helfrontstativ	2000-2009	6031715	GB2929900228	162	203
11 Hjørnebeskyttelse til samtlige standard-badekar for frontstativ (4 styck)	2000-	6030157	GB2929900110	214	268
12 Avløpsett	2011-	6031722	GB2924300155	923	1.154
12a Ventilpropp/vrider	2000-	6031723	GB2924300156	333	416
14 Stillbare føtter ti l hel-, halv- samt designfrontstativ (4 stk)	2002-	6030552	GB2929970004	191	239
15 Plastneppert f/sokkel helfront/gavel	2009-	6031735	GB2929970001	136	170
16 Styrestift f/sokkel helfront/gavl	2009-	6031736	GB2929970002	84	105
17 Utbyttepropp (sil, skrue, svart gummi propp og kjede)	2010-	6030553	GB2929900174	101	126
Tube med emaljelakk. Hvit	2001-	6032809	GB1923101721	176	220





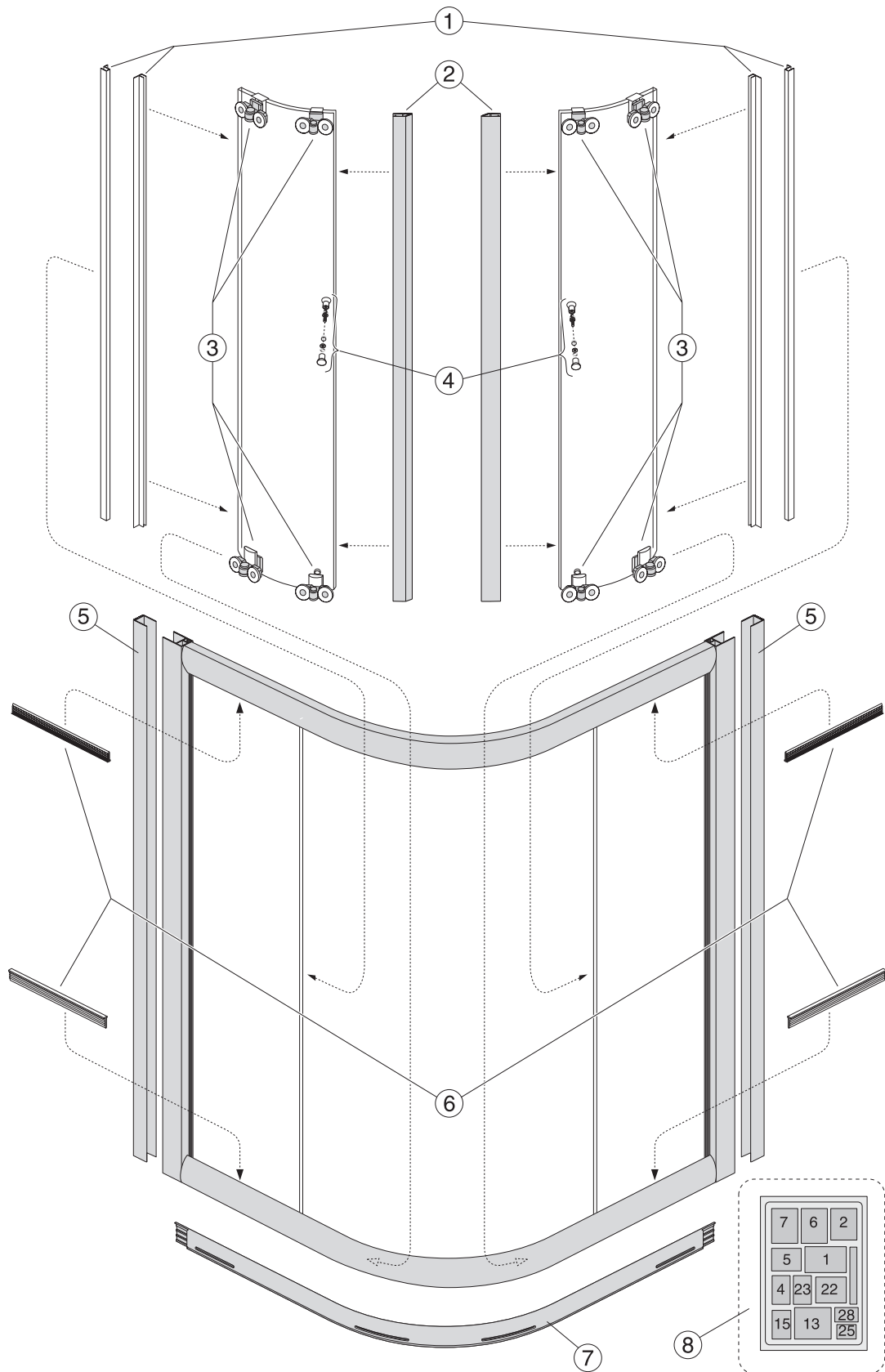
Badekar 6316/6368

DETALJENUMMER OG PRODUKT	ÅRSTALL	NRF. NR.	ART. NR.	VEIL. PRIS EKS. MVA.	VEIL. PRIS INKL. MVA.
2 Utløpsrør, hvit		6031935	GB2929900172	156	195
3 Bunnventil pop-up, komplett til samtlige standardbadekar	-2009	6031737	GB2929970003	594	743
4 Propp f/wirereg.bunnventil, hvit	1998-2009	6031825	GB2924300160	77	96



Badekarsfront og gavl

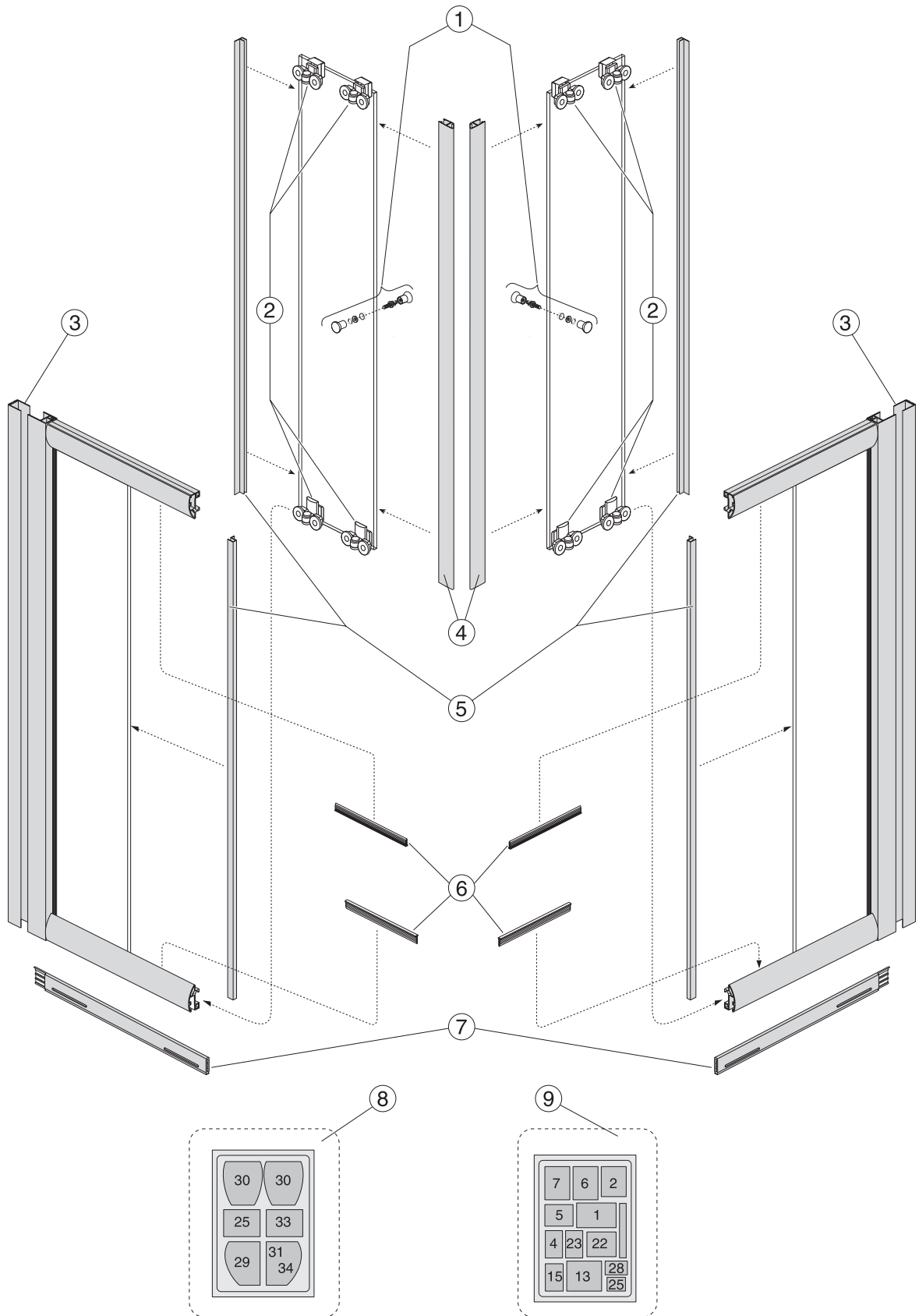
DETALJENUMMER OG PRODUKT	ÅRSTALL	NRF. NR.	ART. NR.	VEIL. PRIS EKS. MVA.	VEIL. PRIS INKL. MVA.
1 Frontlås, snøpert.Mod.5-6-7. GB/Evalet, hvit	1986-1992	6031865	GB2929900115	66	83
3 Front/gavlstøtte til badekar: 3160, 4401, 3165, 3165-3-9000 4005, 4155-2, 4305, 4405, 4405-3-9000	-1992	6031868	GB2929900117	75	94
4 Front/gavlstøtte til badekar: 3006, 4001, 4150, 4301	-1988	6031891	GB2929900118	75	94
6 Øvre front/gavlfeste til badekar: 3006, 4001, 4150, 4301	-1988	6031881	GB2929900041	78	98
7 Fronthake til badekar: 3006, 4001	-1988	6031909	GB2929900120	56	70
9 Øvre frontfeste til badekar: 3160	-1991	6031903	GB2929900119	32	40
Ventilpropp m/O-ring fra 2001		6030129	GB2929900175	101	126



RESERVEDELER

NQ halvrundt dusjhjørne med skyvedører

DETALJENUMMER OG PRODUKT	NRF. NR.	ART. NR.	VEIL. PRIS EKS. MVA.	VEIL. PRIS INKL. MVA.
1 Tetningslist		UPGURSPG-6	306	383
2 Magnetlister, 2009-		UPGUED01020	306	383
3 Trinser, doble, sett 4 stk. Oppe nede for en dør		UPGUWH-6-61/2	227	284
4 Dørhåndtak	6301637	UDWDOORKNOBW-61	227	284
5 Veggprofil hvit		UPGUFY002-01	218	273
Veggprofil krom		UPGUFY002-61	218	273
6 Tetningslister		UPGUED03030	306	383
7 Justerbar gulvprofil		UPGUED02063D-01	227	284
8 Monteringsdetaljer, hvit		UPGUINSKGQ-01	363	454
Monteringsdetaljer, krom		UPGUINSKGQ-61		

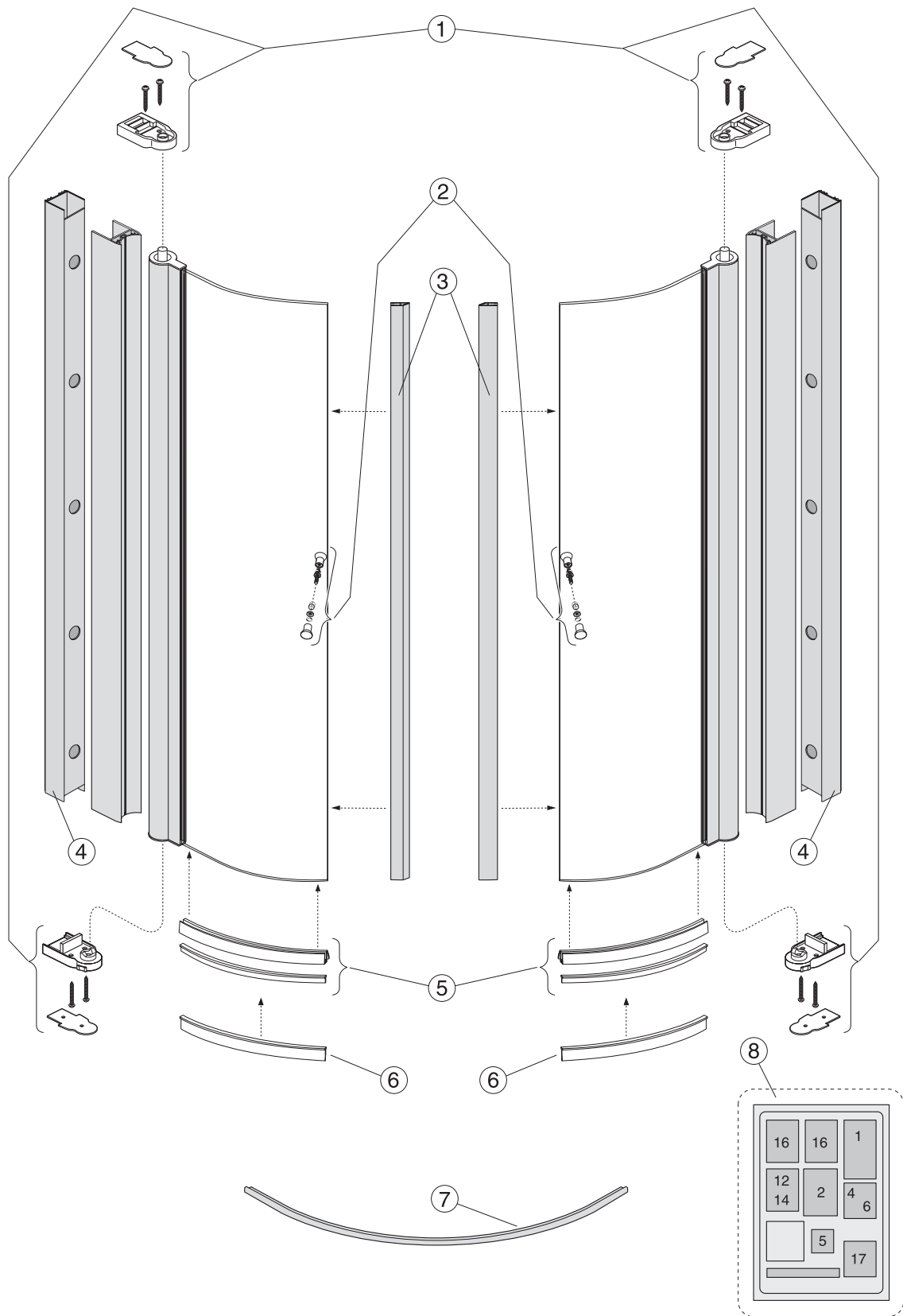


RESERVEDELER



NC firkantet dusjhjørne med skyvedører

DETALJENUMMER OG PRODUKT	NRF. NR.	ART. NR.	VEIL. PRIS EKS. MVA.	VEIL. PRIS INKL. MVA.
1 Dørhåndtak, 2009-	6301637	UDWDOORKNOBW-61	227	284
2 Trinser, 2009-		UPGUWH-6-61/2	227	284
3 Veggprofil, hvit		UPGUFY002-01	218	273
Veggprofil, krom		UPGUFY002-61	218	273
4 Magnetlister		UPGUED01024	306	383
5 Tetningslister		UPGURSPG-8	227	284
6 Tetningslister		UPGUED03030	306	383
7 Gummisokkel m/hjul		UPGUED02063D-01	227	284
Monteringsdetaljer, hvit		UPGUCCT-01	227	284
8 Monteringsdetaljer, krom		UPGUCCT-61	227	284
Monteringsdetaljer, hvit		UPGUINSKGD-01	227	284
9 Monteringsdetaljer, krom		UPGUINSKGD-61	227	284
Trinser		UPGUWH-8-61/2	227	284

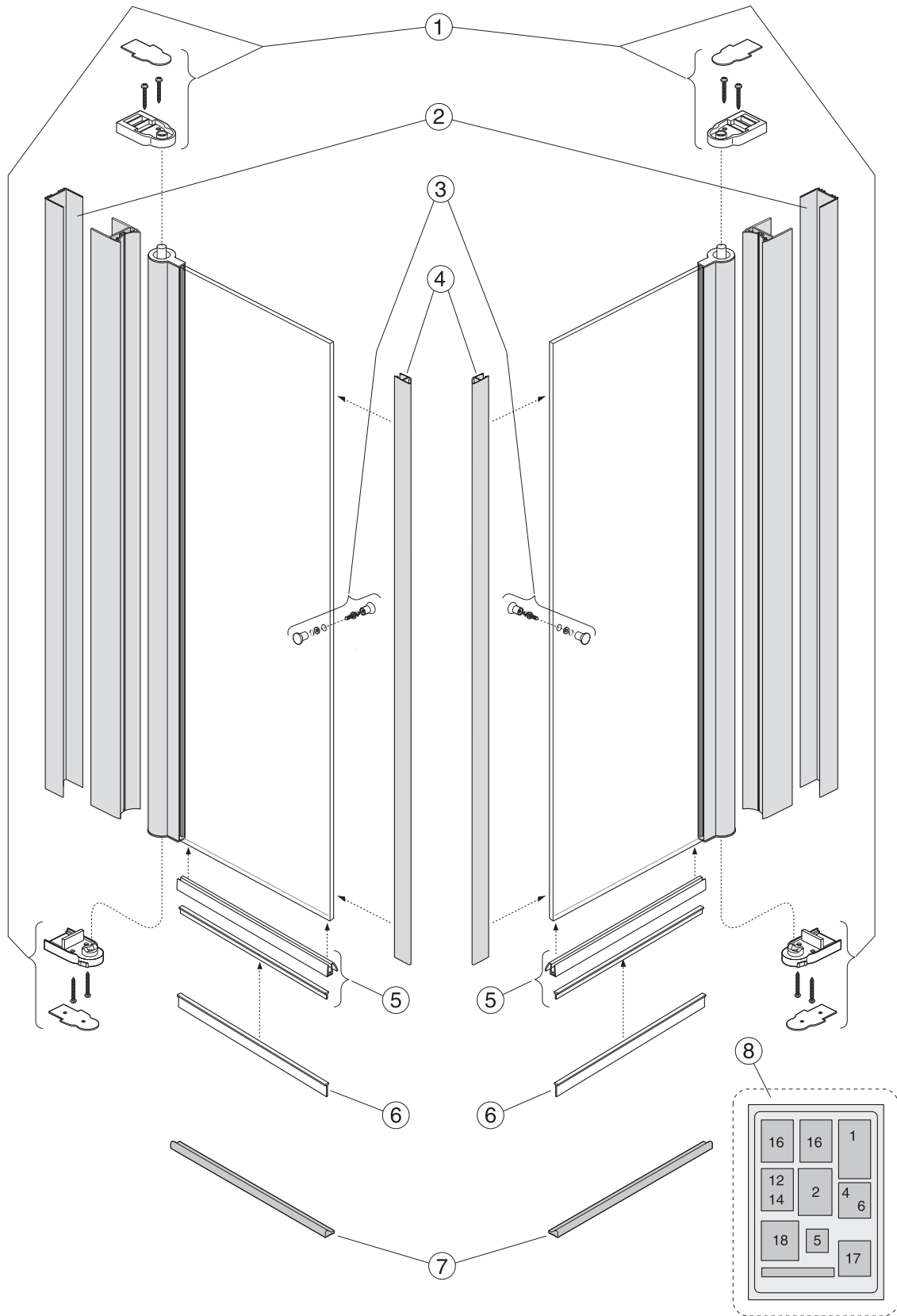


RESERVEDELER



SQ dusjhjørne med buede slagdører

DETALJENUMMER OG PRODUKT	NRF. NR.	ART. NR.	VEIL. PRIS EKS. MVA.	VEIL. PRIS INKL. MVA.
1 Hjørnebeslag f/dør, opp/nede, 2009-		UPGUTHJ	306	383
2 Dørhåndtak, krom	6301637	JDWDOORKNOBW-61	227	284
3 Magnetlister		UPGUED01020	306	383
4 Veggprofil		UPGUFY-011	242	303
5 Tetningslist komplett		UPGUSWD-6	306	383
6 Tetningslist ekstra høy		UPGUSWD-8-L	306	383
7 Sokkel		UPGUALPQ	638	798
8 Monteringsdetaljer, krom		UPGUINSKJD-61	306	383



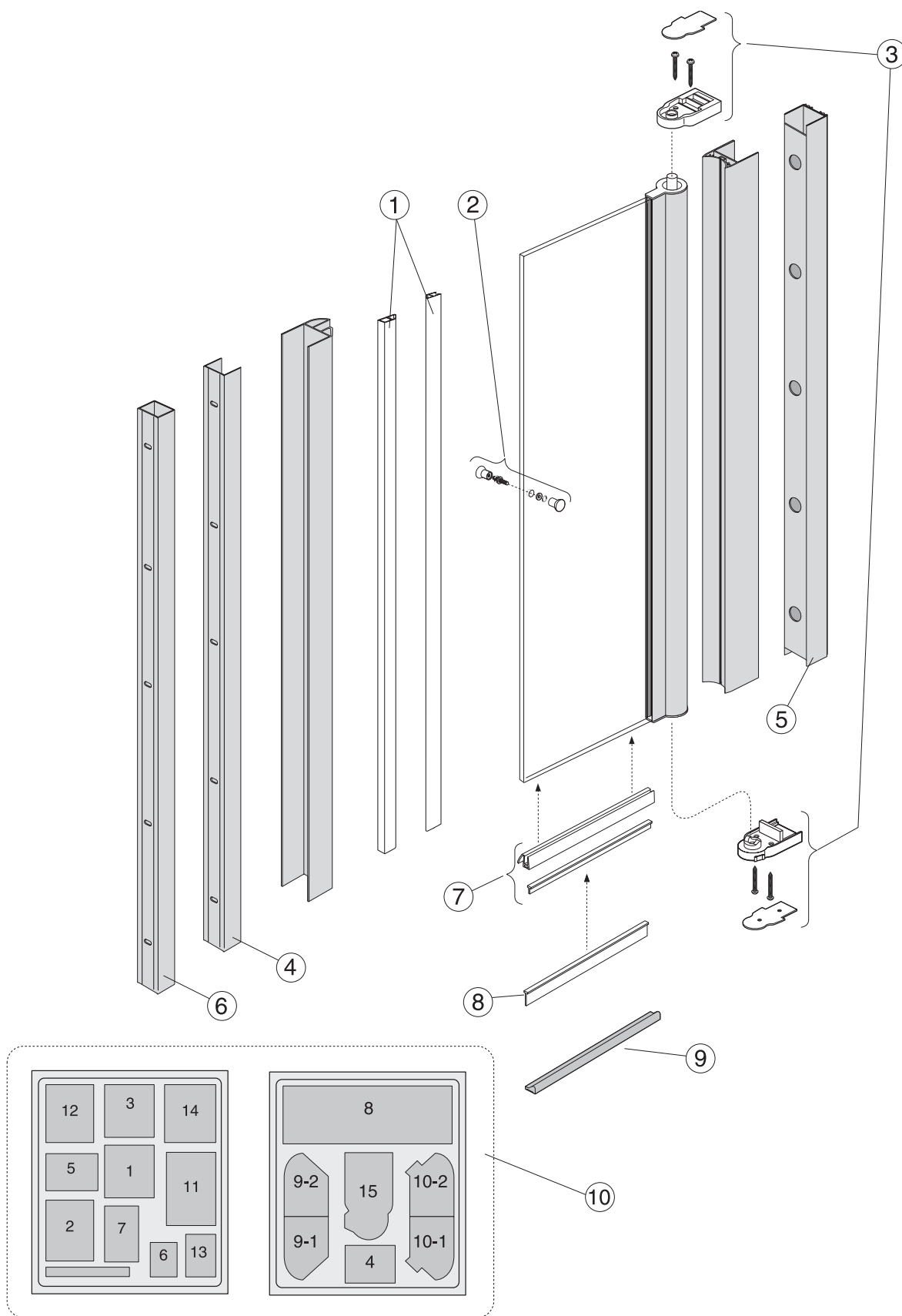
RESERVEDELER

16	16	1
12	2	4
14		6
18	5	17
[Empty row]		



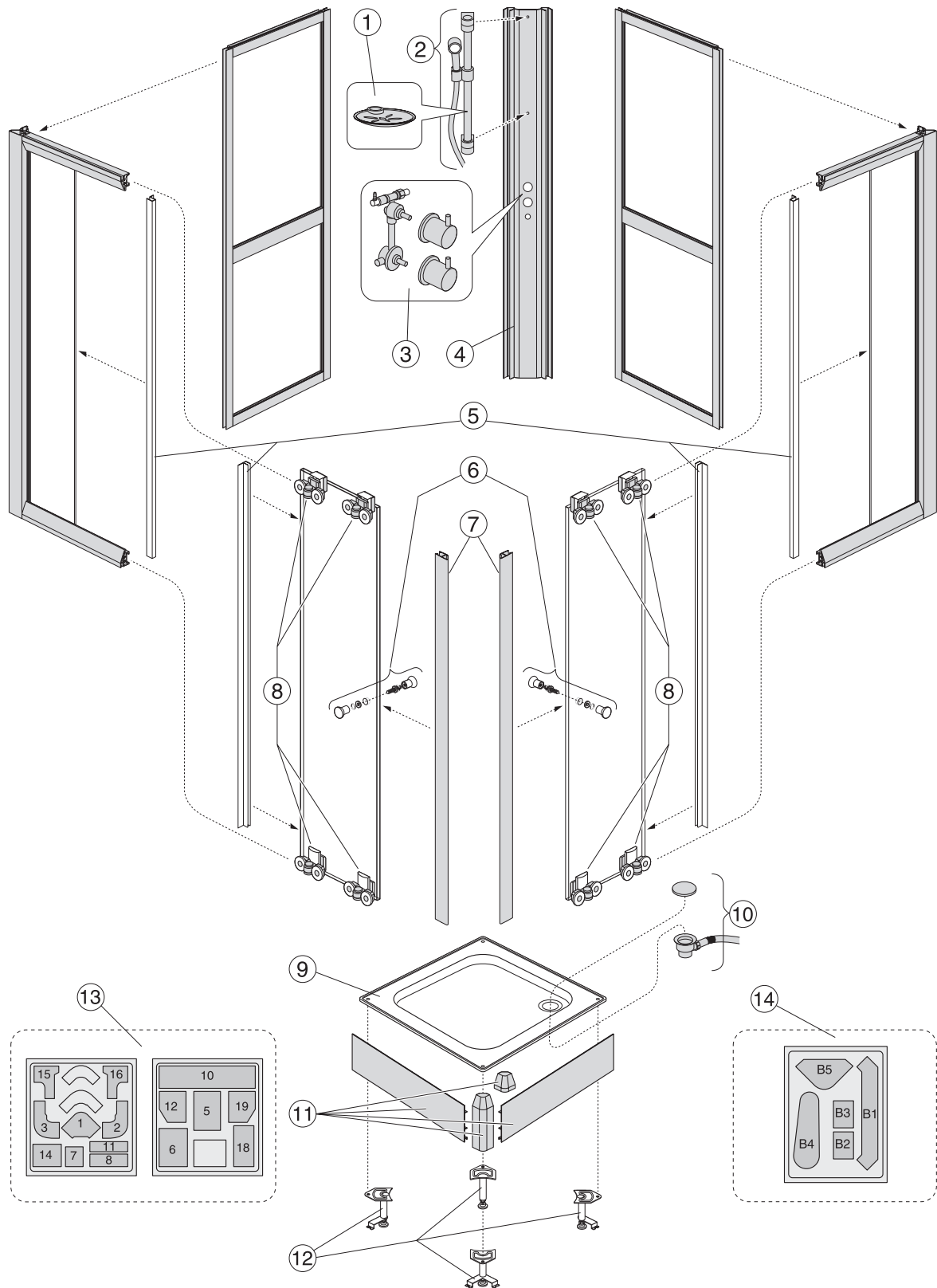
SC dusjhjørne med rette slagdører

DETALJENUMMER OG PRODUKT	NRF. NR.	ART. NR.	VEIL. PRIS EKS. MVA.	VEIL. PRIS INKL. MVA.
1 Hjørnebeslag, 2009-		UPGUTHJ	306	383
2 Veggprofil		UPGUFY-011	242	303
3 Dørhåndtak	6301637	UDWDOORKNOBW-61	227	284
4 Magnetlister		UPGUED01024	306	383
5 Tetningslister komplett		UPGUSWD-8	306	383
6 Tetningslister ekstra høy		UPGUED02099	300	375
7 Sokkel		UPGUALPD	598	748
8 Monteringsdetaljer		UPGUINSKJD-61	306	383



SA slagdører for nisjemontering

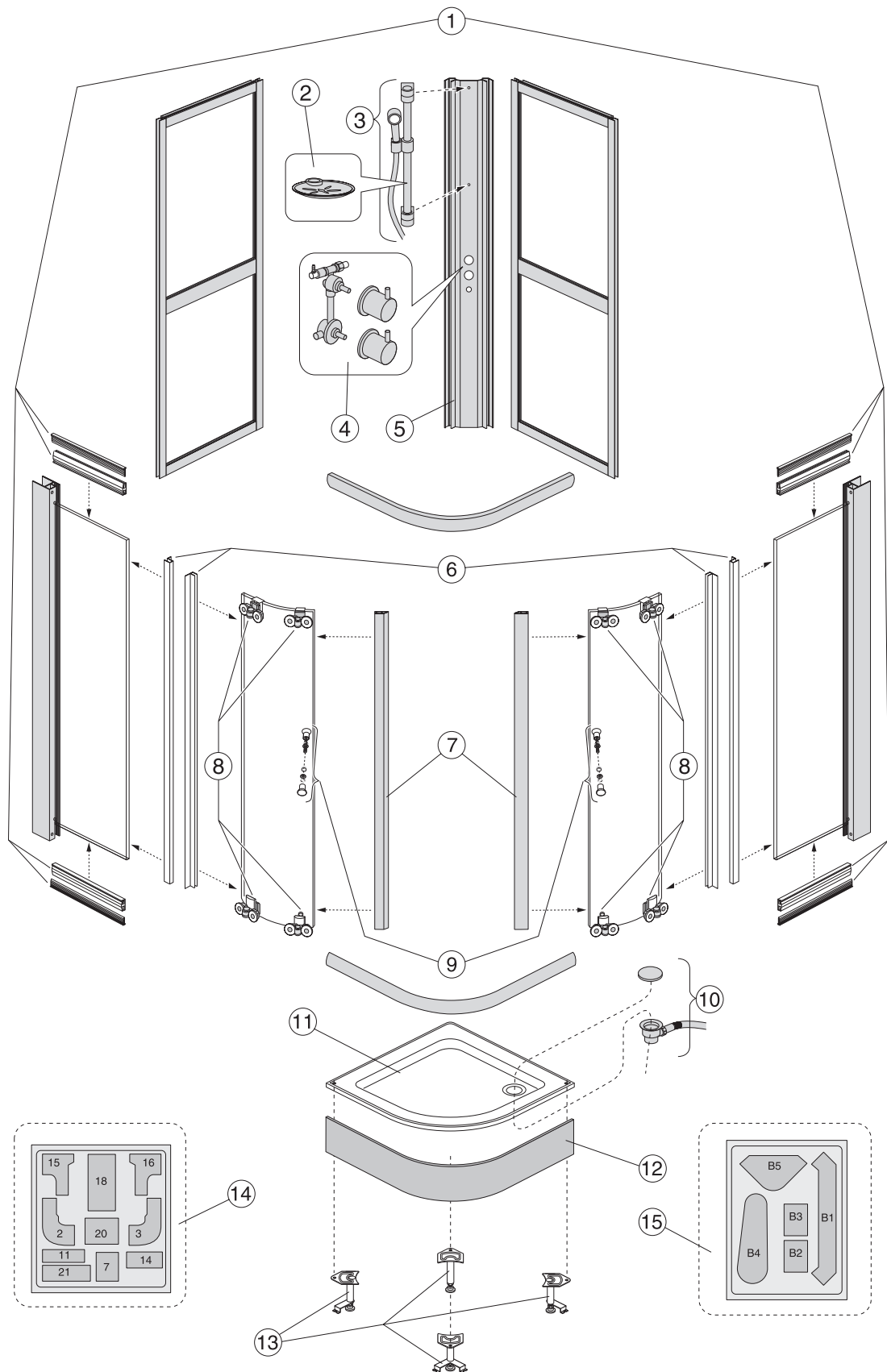
DETALJENUMMER OG PRODUKT	NRF. NR.	ART. NR.	VEIL. PRIS EKS. MVA.	VEIL. PRIS INKL. MVA.
1 Magnetlister, 2009-		UPGUMAGSP	306	383
2 Dørhåndtak, 2009-	6301637	JDWDOORKNOBW-61	227	284
3 Monteringsdetaljer for dørprofil, 2009-		UPGUTHJ	306	383
4 Veggprofil, 2009-		UPGUFY-011	242	303
5 Tetningslist komplett, 2009-		UPGUSWD-8	306	383
6 Tetningslist ekstra høy, 2009-		UPGUSWD-8-L	306	383
7 Sokkel, 2009-		UPGUALPALCV	598	748
8 Monteringdetaljer, 2009-		UPGUINSKALC	306	383



RESERVEDELER

NACC dusjkabinett

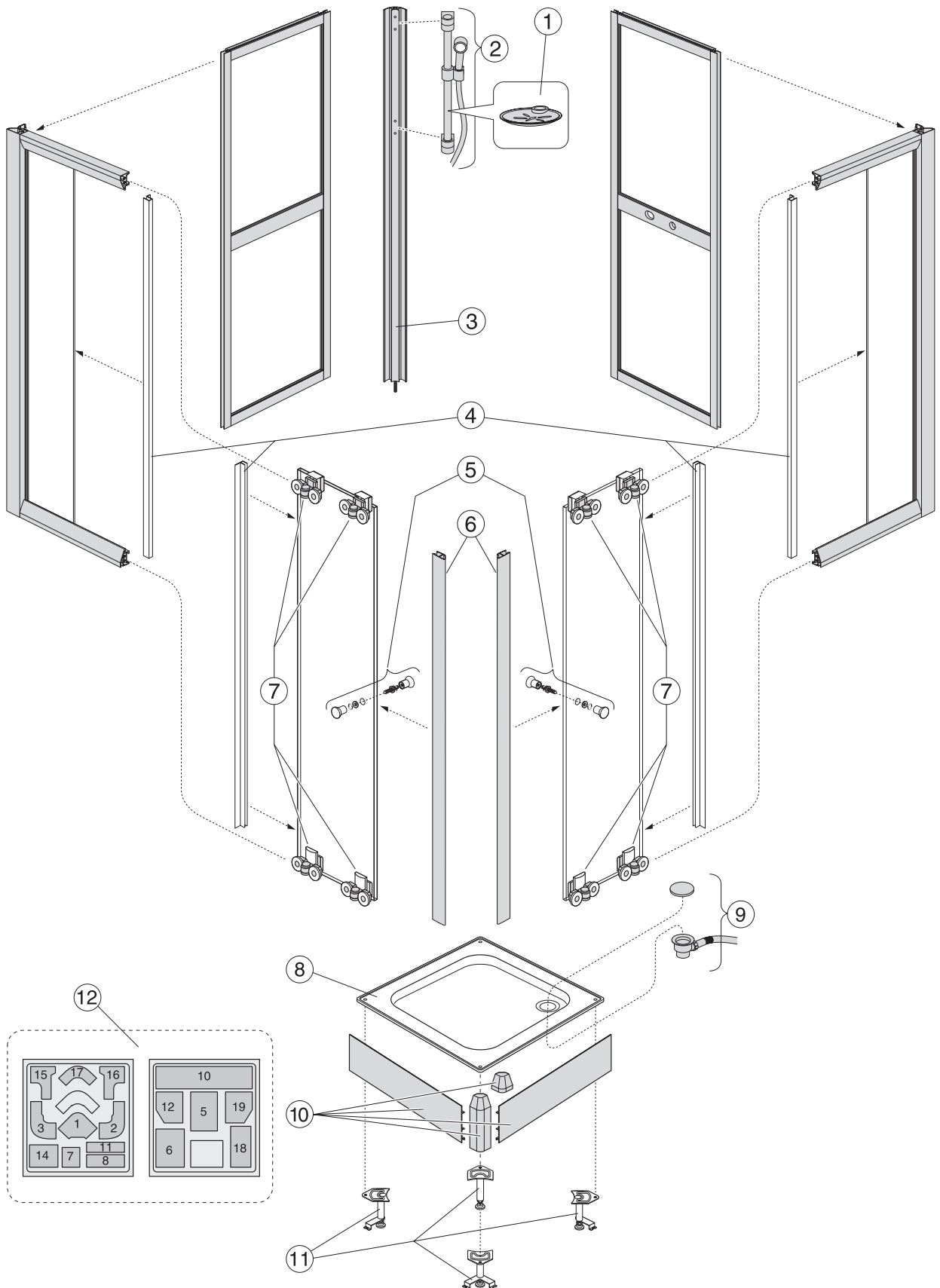
DETALJENUMMER OG PRODUKT	NRF. NR.	ART. NR.	VEIL. PRIS EKS. MVA.	VEIL. PRIS INKL. MVA.
Med blande batteri, år 2010-				
3 Blandebatteri		UCTAP0259	2.103	2.629
5 Tetningslister		UPGUCURSP	227	284
6 Dørhåndtak	6301637	UDWDOORKNOBW-61	227	284
7 Magnetlister		UPGUED01020	306	383
8 Trinser		UPGUWH-6-61/2	227	284
9 UTGÅTT				
10 Avløpssett		UPGUGHD	104	130
Frontpanel, krom		UPGUPCC90-61	1.161	1.451
11 Frontpanel, hvit		UPGUPCC90-01	1.161	1.451
12 Fotsats		UPGUTFS	198	248
Monteringsdetaljer, krom		UPGUINSKCU-61	306	383
13 Monteringsdetaljer, hvit		UPGUINSKCU-01	306	383
Monteringsdetaljer, krom		UPGUINSKBW-61	306	383
14 Monteringsdetaljer, hvit		UPGUINSKBW-01	306	383



RESERVEDELER

NACQ halvrundt hjørnekabinett

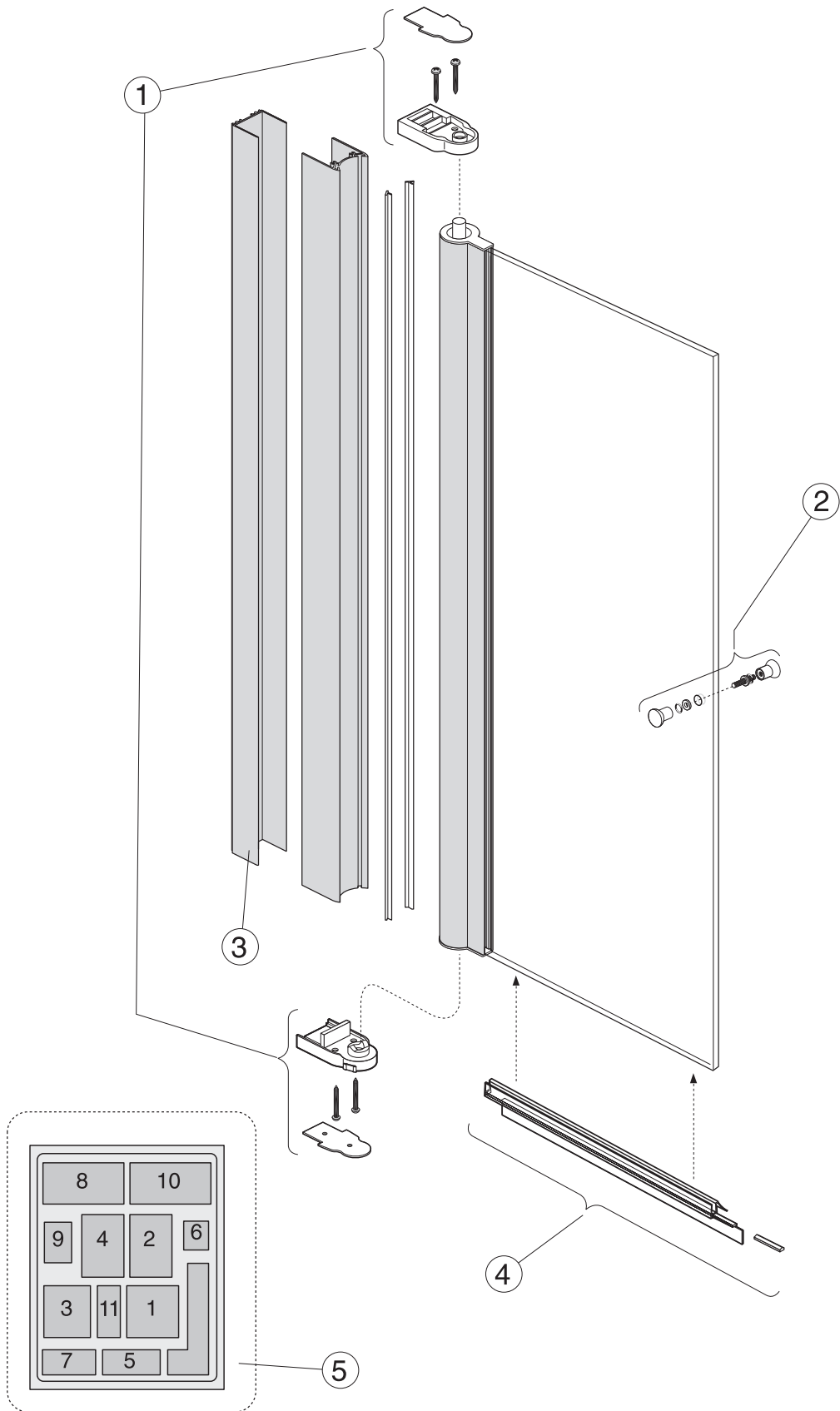
DETALJENUMMER OG PRODUKT	NRF. NR.	ART. NR.	VEIL. PRIS EKS. MVA.	VEIL. PRIS INKL. MVA.
Med blandebatteri, år 2010-				
1 Tetningslister		UPGUED03030	306	383
4 Blandebatteri		UCTAP0259	2.103	2.629
6 Tetningslister		UPGURSPG-6	306	383
7 Magnetlister		UPGUED01020	306	383
8 Trinser		UPGUWH-6-61/2	227	284
9 Dørhåndtak	6301637	UDWDOORKNOBW-61	227	284
10 Avløpssett		UPGUGHD	104	130
11 UTGÅTT Frontpanel, krom		UPGUBP90-61	1.161	1.451
12 Frontpanel, hvit		UPGUBP90-01	1.161	1.451
13 Fotsats		UPGUTFQ	198	248
Monteringsdetaljer, krom		UPGUINSKLQ-61	306	383
14 Monteringsdetaljer, hvit		UPGUINSKLQ-01	306	383
Monteringsdetaljer, krom		UPGUINSKBW-61	306	383
15 Monteringsdetaljer, hvit		UPGUINSKBW-01	306	383



RESERVEDELER

NCC og NOC firkantet hjørnekabinett

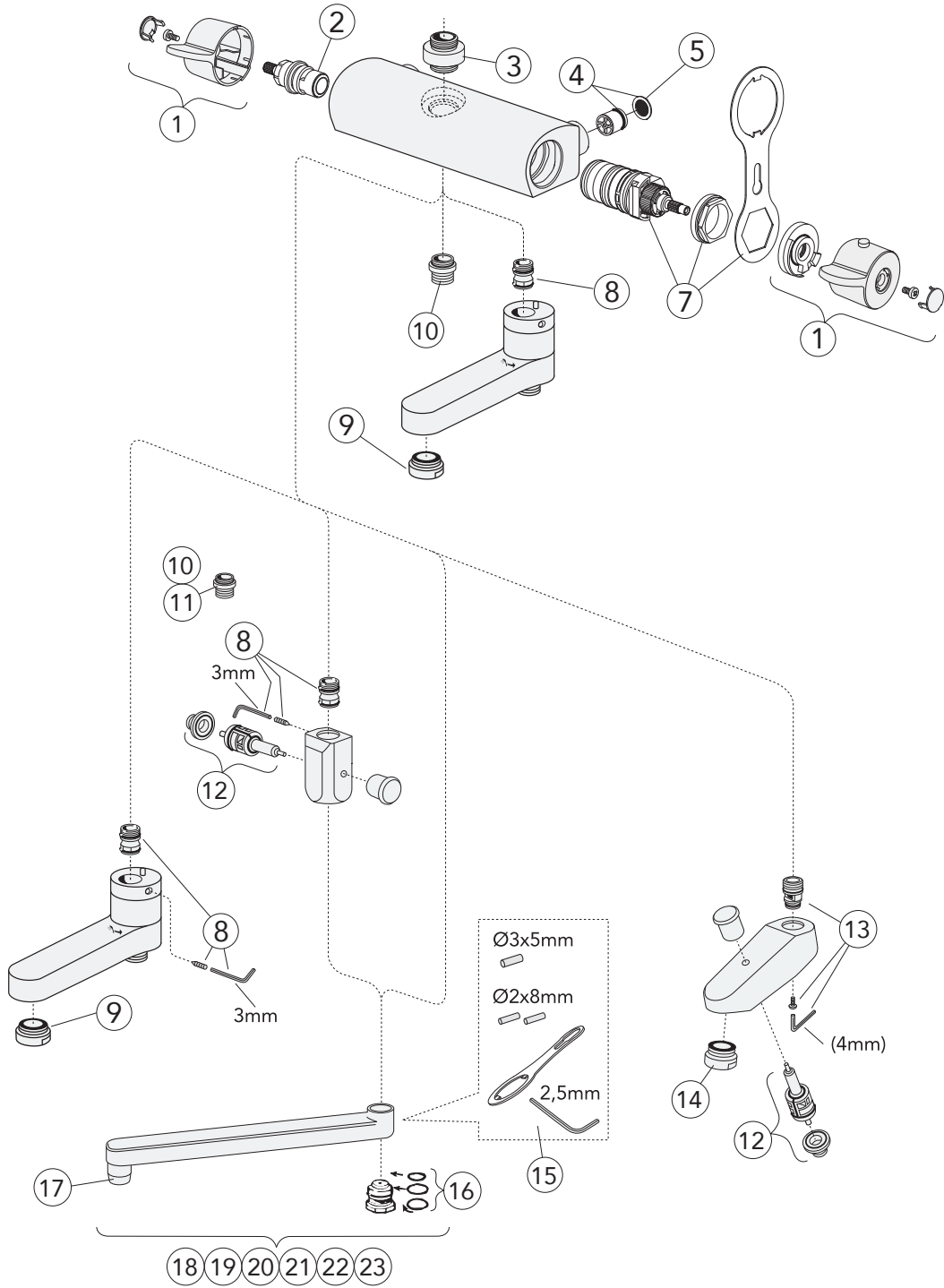
DETALJENUMMER OG PRODUKT	NRF. NR.	ART. NR.	VEIL. PRIS EKS. MVA.	VEIL. PRIS INKL. MVA.
3 Hjørnestolpe, krom		UPGUYDG262-69-61	335	419
Hjørnestolpe, hvit		UPGUYDG262-69-01	310	388
4 Tetningslister		UPGUCURSP	227	284
5 Dørhåndtak	6301637	UDWDOORKNOBW-61	227	284
6 Magnetlister		UPGUED01020	306	383
7 Trinser		UPGUWH-6-61/2	227	284
9 Avløpssett		UPGUGHD	104	130
10 Frontpanel, krom		UPGUPCC90-61	1.161	1.451
Frontpanel, hvit		UPGUPCC80-01	1.161	1.451
11 Fotsats		UPGUTFS	198	248
Monteringsdetaljer, krom		UPGUINSKCU-61	306	383
12 Monteringsdetaljer, hvit		UPGUINSKCU-01	306	383



RESERVEDELER

LB badekarvegg

DETALJENUMMER OG PRODUKT	ART. NR.	VEIL. PRIS EKS. MVA.	VEIL. PRIS INKL. MVA.
1 Monteringsdetaljer f/dør UPGUTHWF7201	UPGUTHWF7201	164	205
2 Dørhåndtak	UDWDOORKNOB2W-61	227	284
3 Veggprofil	UPGUDS249	242	303
4 Sokkel	UPGUWDWF7201	598	748
5 Monteringsdetaljer	UPGUINWF7201	306	383

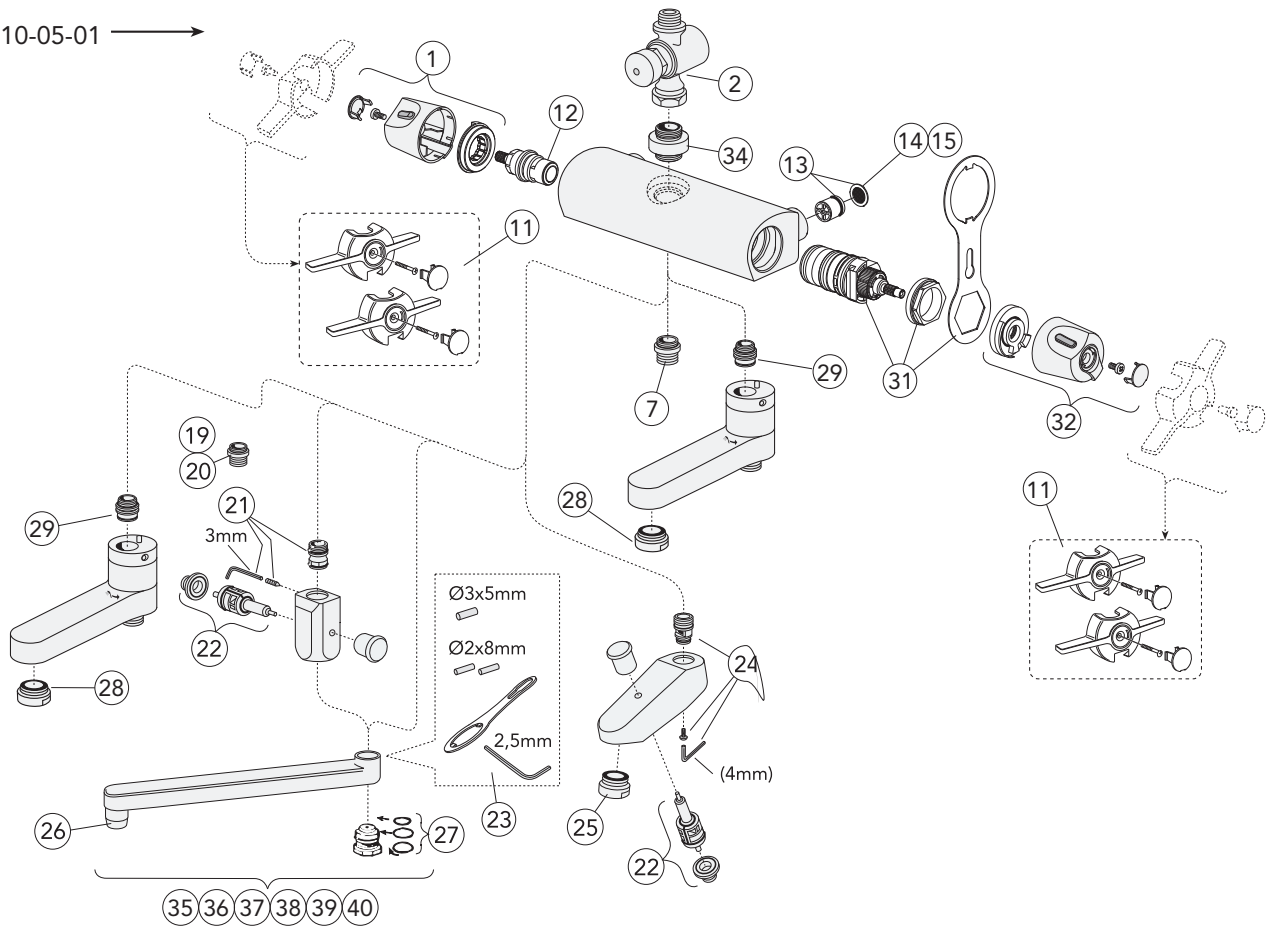


RESERVEDELER

Nordic³ termostat

DETALJENUMMER OG PRODUKT	NRF. NR.	ART. NR.	VEIL. PRIS EKS. MVA.	VEIL. PRIS INKL. MVA.
1 Ratt for mengde -og temperatursiden		GB41639080 01	168	210
2 Ventiloverstykk	4343314	GB41634035 01	134	168
3 Tilkoblingsnippel G1/2xG1/2	4341959	GB41638339 01	51	64
4 Tilbakeslagsventil med filter	4343096	GB41632698 02	145	181
5 Filter for tilbakeslagsventil	4343065	GB41635633 02	48	60
7 Termostatinsats (CA77N)	4342726	GB41638334 01	405	506
8 Tilkoblingsnippel for omkaster	4343362	GB41636359 01	51	64
9 Strålesamler M24x1 D	4342717	GB41637387 01	316	395
10 Tilkoblingsnippel G1/2-M20x1,5	4341962	GB41634757 01	134	168
11 Tilkoblingsnippel med Tilbakeslagsventil G1/2-M20x1,5	4343363	GB41634756 01	134	168
12 Draomkaster	4341963	GB41636577 01	248	310
13 Tilkoblingsnippel for utløpstut	4343368	GB41637347	134	168
14 Strålesamlere M28x1, krom	4343123	GB41634555 01	316	395
15 Detaljer for slagbegrensning tut	4342754	GB41633972	52	65
16 O-ringsats for utløpstut	4342755	GB41633952 01	55	69
17 Strålesamlere M24x1 B	4343241	GB41630131 01	92	115
18 Svingbar utløpstut 85 mm	4342879	GB41633631	457	571
19 Svingbar utløpstut 150 mm	4342877	GB41633632	457	571
20 Svingbar utløpstut 200 mm	4342878	GB41633633	608	760
21 Svingbar utløpstut 250 mm	4342868	GB41633614	630	788
22 Svingbar utløpstut 350 mm	4342625	GB41633616	806	1.008
23 Svingbar utløpstut 400 mm	4342626	GB41633624	841	1.051

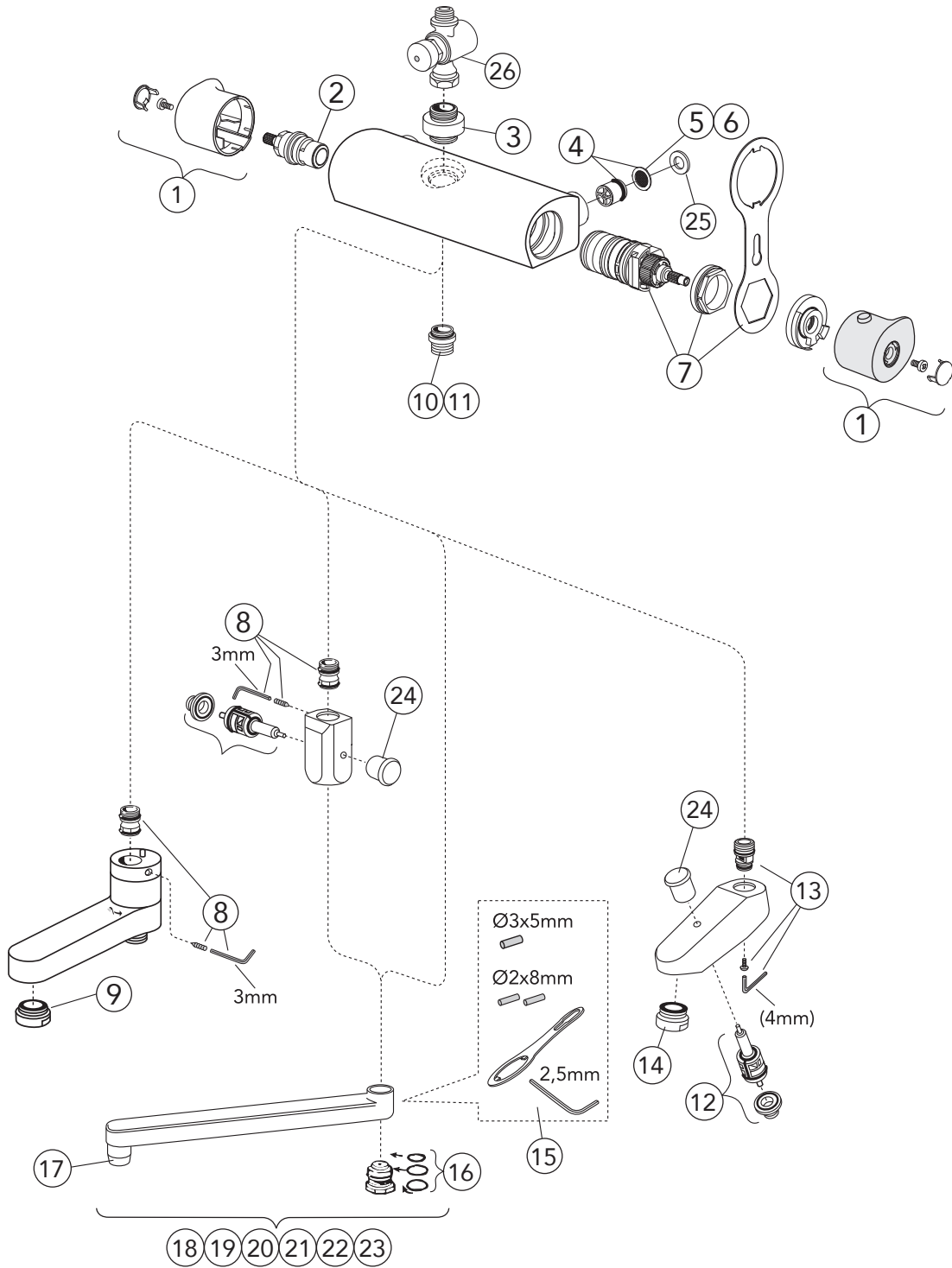
2010-05-01 →



RESERVEDELER

Nautic termostat

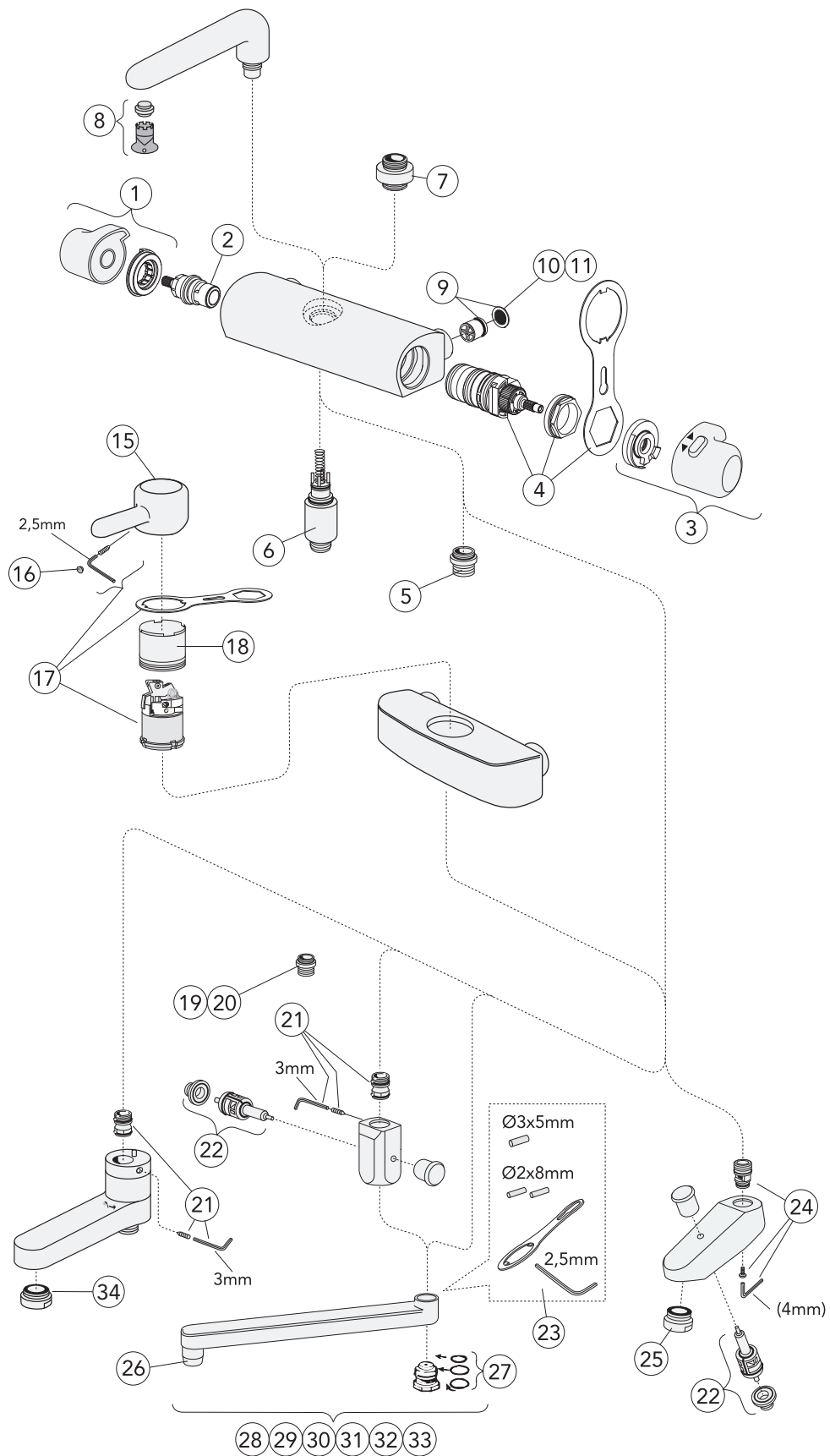
DETALJENUMMER OG PRODUKT	NRF. NR.	ART. NR.	VEIL. PRIS EKS. MVA.	VEIL. PRIS INKL. MVA.
1 Ratt for mengdeside	4342635	GB41637804 01	115	144
2 Tidsinnstilt trykkventil		GB41631830	5.024	6.280
6 Tilkoblingsnippel med tilbakeslagsventil G1/2-G1/2	4341952	GB41632814 02	134	168
7 Tilkoplingsnippel M20x1,5-G1/2 for dusjslange	4341962	GB41634757 01	134	168
11 HC spak for mengde/temperatursiden	4342637	GB41637840 02	184	230
12 Ventiloverstykke	4343314	GB41634035 01	134	168
13 Tilbakeslagsventil med filter	4343096	GB41632698 02	145	181
14 Filter for tilbakeslagsventil	4343065	GB41635633 02	48	60
19 Tilkoplingsnippel G1/2-M20x1,5	4341962	GB41634757 01	134	168
20 Tilkoplingsnippel med tilbakeslagsventil G1/2-M20x1,5	4343363	GB41634756 01	134	168
21 Tilkoblingsnippel for omkastere	4343362	GB41636359 01	51	64
22 Draomkastere	4341963	GB41636577 01	248	310
23 Detaljer for slagbegrensning tut	4342754	GB41633972	52	65
24 Tilkoblingsnippel for utløpstut	4343368	GB41637347	134	168
25 Strålesamlere M28x1, krom	4343123	GB41634555 01	316	395
26 Strålesamlere M24x1 B	4343241	GB41630131 01	92	115
27 O-ringsats for utløpstut	4342755	GB41633952 01	55	69
28 Strålesamlere M24x1 D	4342717	GB41637387 01	316	395
29 Tilkoblingsnippel for omkastere	4343362	GB41636359 01	51	64
31 Termostatinnsett (CA77N)	4342726	GB41638334 01	405	506
32 Ratt for temperatursiden (CA77N)	4341957	GB41638336 01	51	64
33 Tilkoplingsnippel G1/2xG1/2	4341958	GB41632815	134	168
34 Tilkoplingsnippel G1/2-G1/2	4341959	GB41638339 01	51	64
35 Svingbar utløpstut 85 mm	4342879	GB41633631	457	571
36 Svingbar utløpstut 150mm	4342877	GB41633632	457	571
37 Svingbar utløpstut 200mm	4342878	GB41633633	608	760
38 Svingbar utløpstut 250mm	4342868	GB41633614	630	788
39 Svingbar utløpstut 350mm	4342625	GB41633616	806	1.008
40 Svingbar utløpstut 400mm	4342626	GB41633624	841	1.051
Temperaturatt	4342636	GB41637810 01	115	144



RESERVEDELER

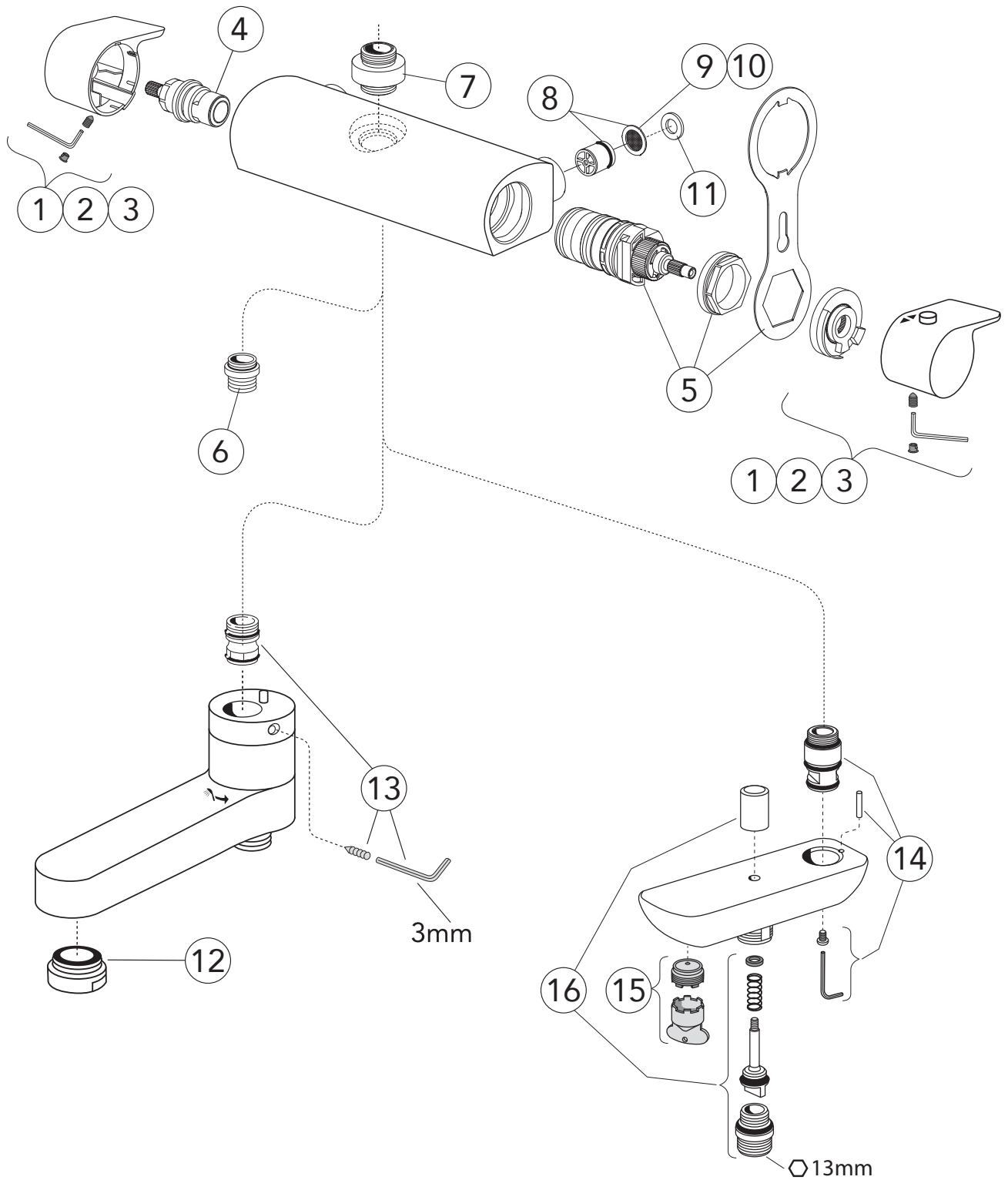
Atlantic termostat

DETALJENUMMER OG PRODUKT	NRF. NR.	ART. NR.	VEIL. PRIS EKS. MVA.	VEIL. PRIS INKL. MVA.
1 Ratt for mengde og temperatur		GB41639542 02		
2 Ventiloverstycke		GB41634035 01	134	168
3 Utløppsnippel G1/2xG1/2		GB41638339 01	51	64
4 Tilbakeslagsventilventil med filter		GB41632698 02	145	181
5 Filter for tilbakeslagsventil		GB41635633 02	48	60
6 Filter for tilbakeslagsventil		GB41635633 10	48	60
7 Termostatinnsats (CA77N)		GB41638334 01	405	506
8 Anslutningsnippel for omkastare/utløpstut		GB41636359 01	51	64
9 Perlator/Strålesamler M24x1 D		GB41637387 01	316	395
10 Anslutningsnippel G1/2-M20x1,5		GB41634757 01	134	168
11 Anslutningsnippel med tilbakeslagsventil G1/2-M20x1,5		GB41634756 01	134	168
12 Draomkaster		GB41636577 01	248	310
13 Anslutningsnippel for utløpstut		GB41637347	134	168
14 Perlator/Strålesamler M28x1, krom		GB41634555 01	316	395
15 Detaljer for slagbegrensning ut		GB41633972	52	65
16 O-ringsats for utløpstut		GB41633952 01	55	69
17 Perlator/Strålesamler M24x1 B		GB41630131 01	92	115
18 Svingbar utløpstur 85 mm		GB41633631	457	571
19 Svingbar utløpstur 150 mm		GB41633632	457	571
20 Svingbar utløpstur 200 mm		GB41633633	608	760
21 Svingbar utløpstur 250 mm		GB41633614	630	788
22 Svingbar utløpstur 350 mm		GB41633616	806	1.008
23 Svingbar utløpstur 400 mm		GB41633624	841	1.051
24 Draknopp omkaster		GB41636822 01	44	55
25 Pakning ø24,2-15,3x3 för anslutning 150 cc		GB41635641	21	26
26 Tidsinnstilt trykkventil (Presto)		GB41631830	5024	6.280



Logic termostat/ettgrepskran

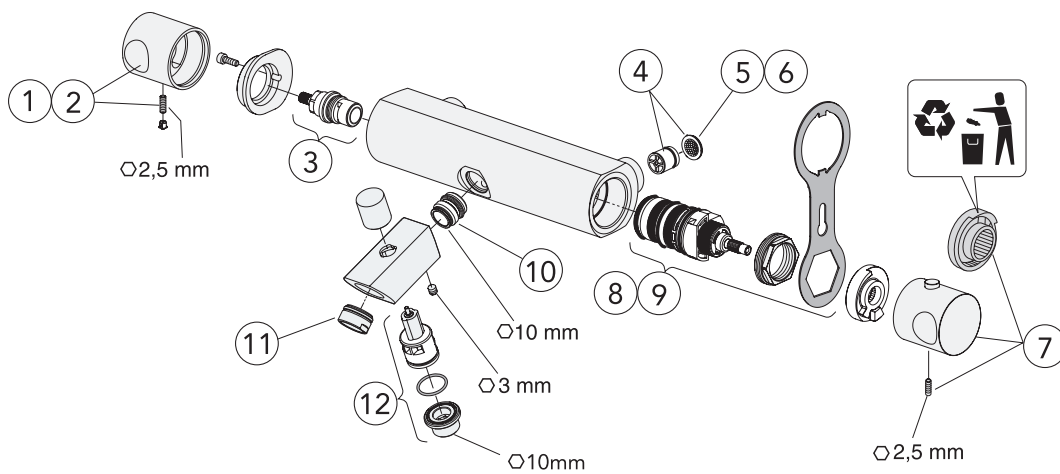
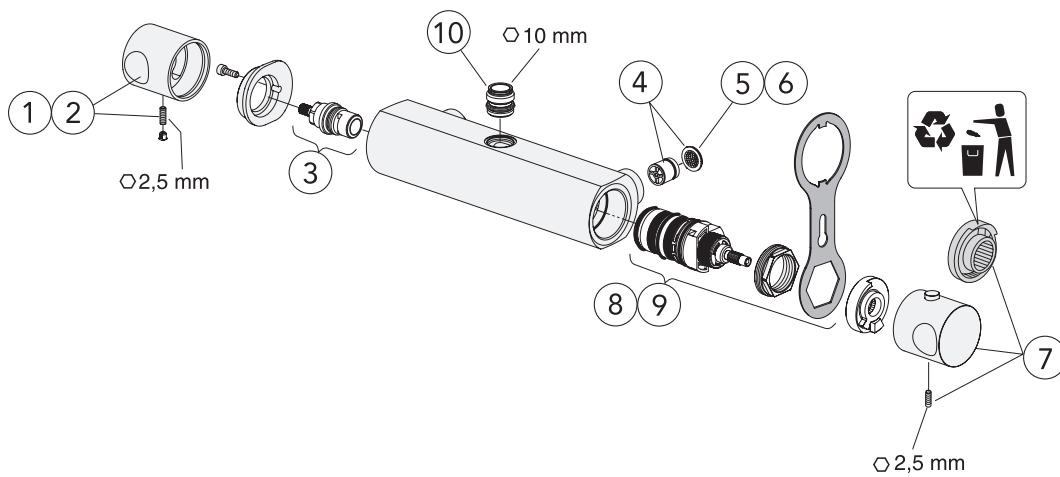
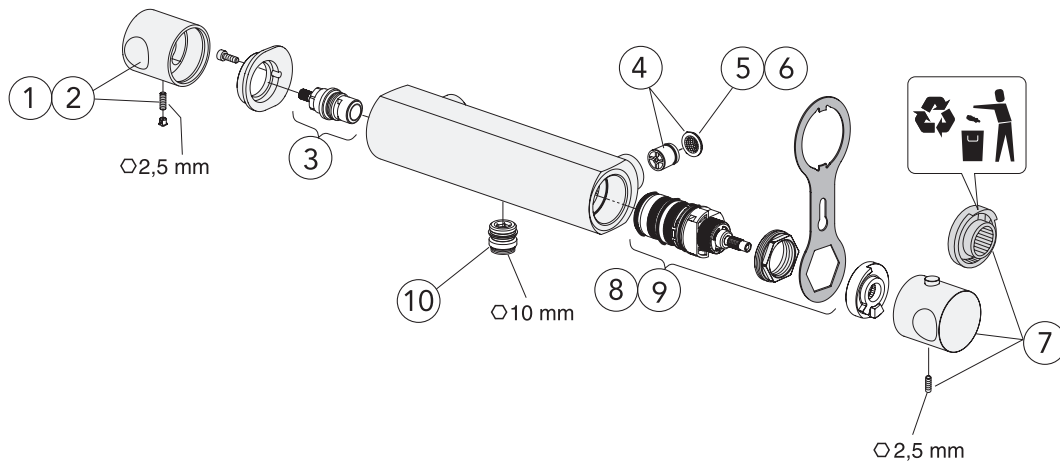
DETALJENUMMER OG PRODUKT	NRF. NR.	ART. NR.	VEIL. PRIS EKS. MVA.	VEIL. PRIS INKL. MVA.
1 Ratt for mengdeside	4342785	GB41638530 01	114	143
2 Ventiloverstykk		GB41638529 01	134	168
3 Ratt for temperaturside	4342786	GB41638525 01	114	143
4 Termostatinnsett for dusjslange	4342726	GB41638334 01	405	506
5 Tilkoblingsnippel M20x1,5-G1/2	4341962	GB41634757 01	134	168
6 Omkaster	4342787	GB41638545 01	248	310
7 Tilkoblingsnippel G1/2xG1/2	4341959	GB41638339 01	51	64
8 Strålesamler, Cache-CC-STD M24x1 "D"	4342788	GB41638542 01	314	393
9 Tilbakeslagsventil med filter	4343096	GB41632698 02	145	181
10 Filter for tilbakeslagsventil	4343065	GB41635633 02	48	60
15 Ettgrepspak Logic	4342766	GB41638514 01	265	331
16 Dekkplugg rød/blå merking	4342661	GB41634828 01	114	143
17 Servicepatron Logic/Nautic	4343367	GB41637267 01	443	554
18 Låsring M45x1,5	4342753	GB41637261 01	126	158
19 Tilkoblingsnippel G1/2-M20x1,5	4341962	GB41634757 01	134	168
20 Tilkoblingsnippel m/tilbakeslagsventil G1/2-M20x1,5	4343363	GB41634756 01	134	168
21 Tilkoblingsnippel for omkaster	4343362	GB41636359 01	51	64
22 Draomkaster	4341963	GB41636577 01	248	310
23 Detaljer for slagbegrensning tut	4342754	GB41633972	52	65
24 Tilkoblingsnippel for utløpstut	4343368	GB41637347	134	168
25 Strålesamler M28x1, krom	4343123	GB41634555 01	316	395
26 Strålesamler M24x1	4343241	GB41630131 01	92	115
27 O-ring for utløpstut	4342755	GB41633952 01	55	69
28 Svingbar utløpstut 85 mm	4342879	GB41633631	457	571
29 Svingbar utløpstut 150 mm	4342877	GB41633632	457	571
30 Svingbar utløpstut 200 mm	4342878	GB41633633	608	760
31 Svingbar utløpstut 250 mm	4342868	GB41633614	630	788
32 Svingbar utløpstut 350 mm	4342625	GB41633616	806	1.008
33 Svingbar utløpstut 400 mm	4342626	GB41633624	841	1.051
34 Strålesamler M24x1 D	4342717	GB41637387 01	316	395



RESERVEDELER

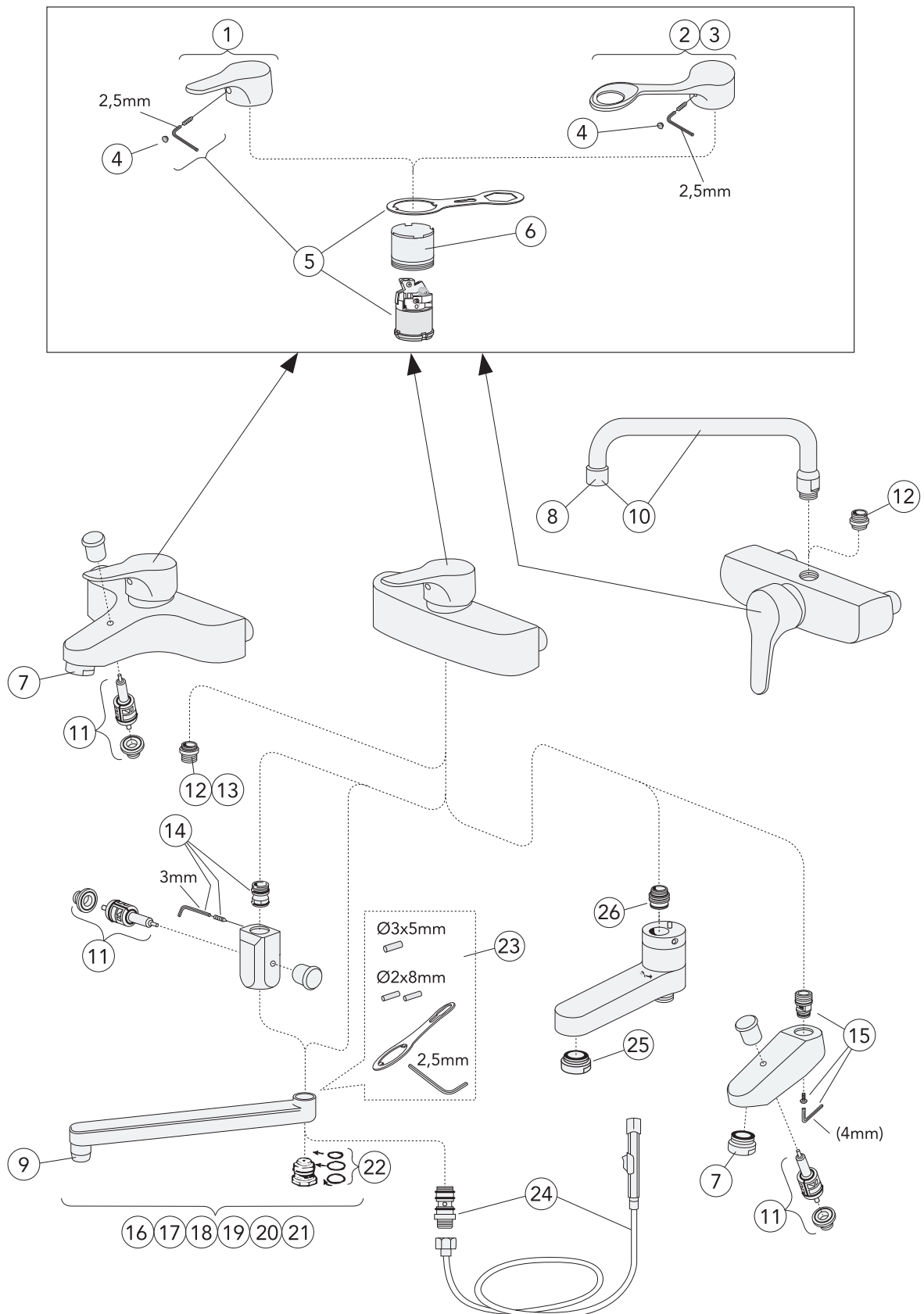
Estetic termostat

DETALJENUMMER OG PRODUKT	NRF. NR.	ART. NR.	VEIL. PRIS EKS. MVA.	VEIL. PRIS INKL. MVA.
1 Ratt for dusjkran Estetic krom		GB41639390 01	492	738
2 Ratt for dusjkran Estetic, sort		GB41639390 23	436	654
3 Ratt for dusjkran Estetic, matt hvit		GB41639390 41	736	1.104
4 Ventiloverstykket		GB41638529 01	134	201
5 Termostatinnsett (CA77N)		GB41638334 01	405	608
6 Anslutningsnippel G1/2-M20x1,5		GB41634757 01	134	201
7 Utløpsnippel G1/2xG1/2		GB41638339 01	51	77
8 Tilbakeslagsventil med filter		GB41632698 02	145	218
9 Filter for tilbakeslagsventil		GB41635633 02	48	72
10 Filter for tilakeslangventil		GB41635633 10	48	72
11 Pakkning ø24,2-15,3x3 for anslutning 150 cc		GB41635641	21	32
12 Perlator/Strålesamler M24x1 D		GB41638275 01	314	471
13 Anslutningsnippel for omkaster		GB41636359 01	51	77
14 Anslutningsnippel for badekarstut		GB41639298 01	134	201
15 Perlator/strålesamler Cache, M24x1-D, SLC		GB41639282 01	314	471
16 Draomkastare		GB41639328 01	248	372



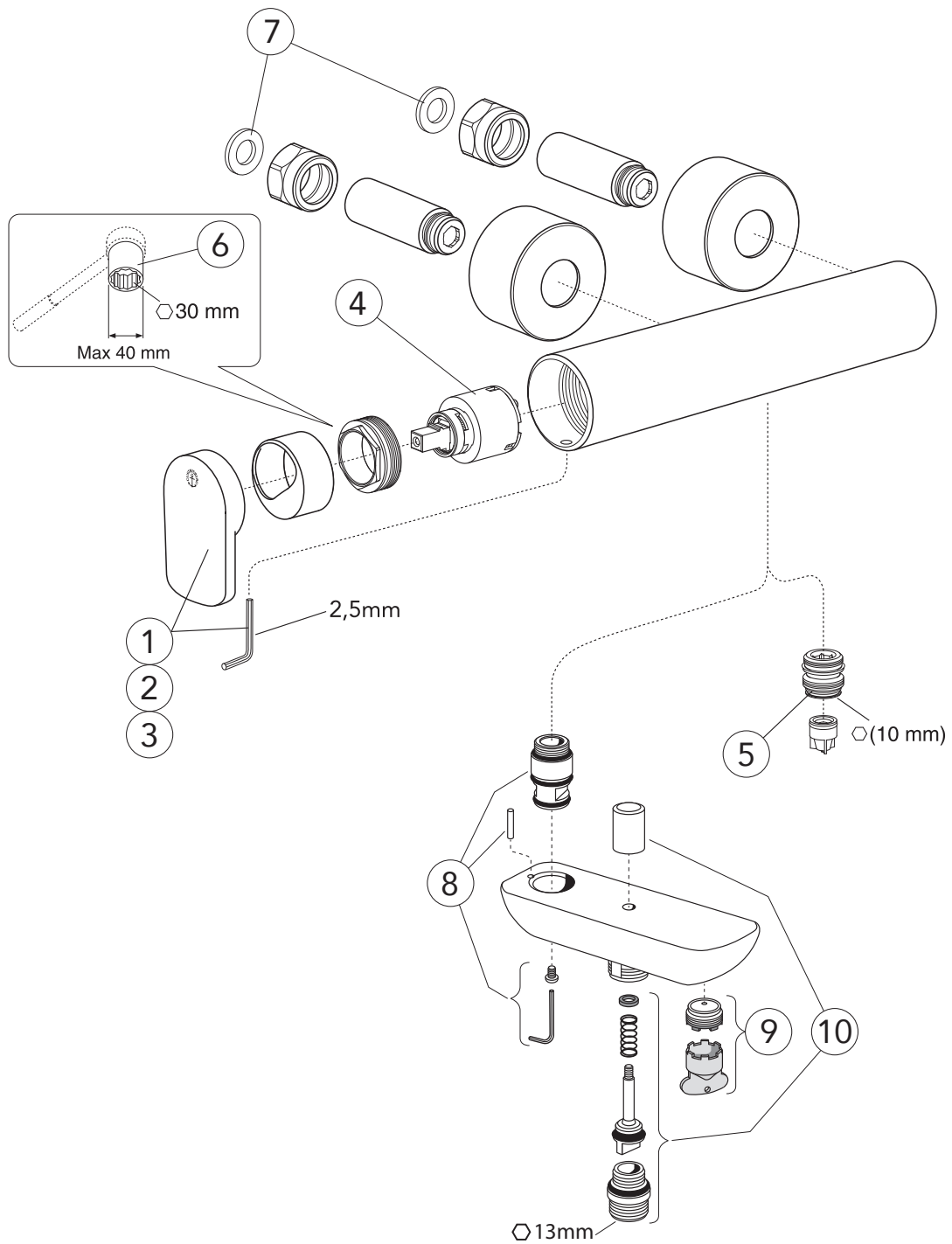
Coloric termostat

DETALJENUMMER OG PRODUKT	NRF. NR.	ART. NR.	VEIL. PRIS EKS. MVA.	VEIL. PRIS INKL. MVA.
1 Ratt for mengdesiden -2010.09	4342779	GB41638281 01	516	645
2 Ratt for mengdesiden 2010.09-	4342684	GB41636465 01	772	965
3 Ventiloverstyrke	4342782	GB41638283 01	133	166
4 Bakventil med filter	4343096	GB41632698 02	145	181
5 Filter for bakventil	4343065	GB41635633 02	48	60
7 Ratt for temperatursiden	4342685	GB41636460 01	772	965
8 Termostatinnsett -2010.09	4342783	GB41638287 01	405	506
9 Termostatinnsett (CA77N) 2010.09-	4342726	GB41638334 01	405	506
10 Tilkoplingnippel M20x1,5-G1/2	4342723	GB41637410	133	166
11 Strålesamler M24x1	4342717	GB41637387 01	316	395
12 Draomkaster	4342725	GB41637416	345	431



Nautic dusj- og badekarskran

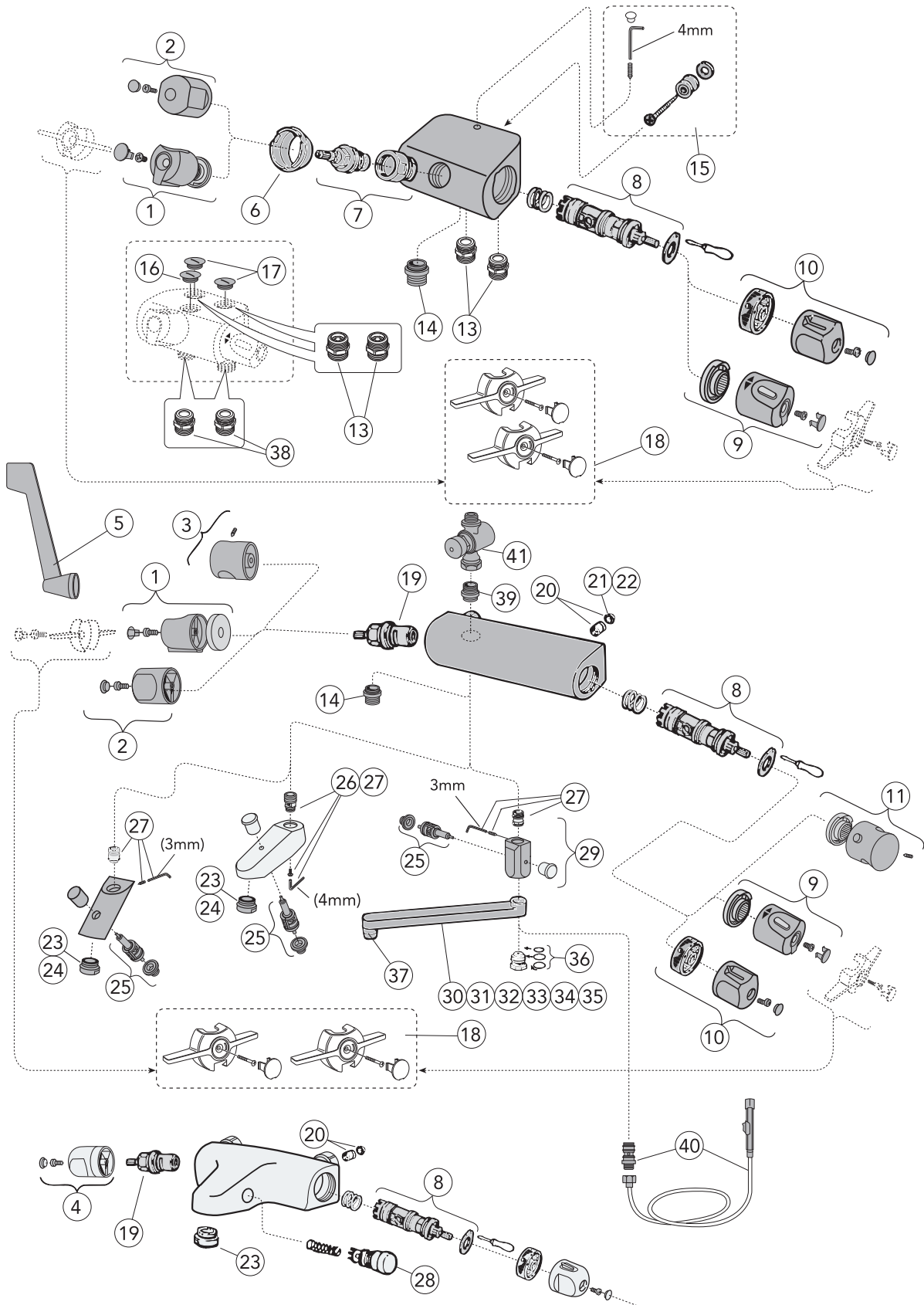
DETALJENUMMER OG PRODUKT	NRF. NR.	ART. NR.	VEIL. PRIS EKS. MVA.	VEIL. PRIS INKL. MVA.
1 Ettgrepsspak Nautic	4343366	GB41637250	250	313
2 Ettgrepsspak HC Nautic		GB41637360 01	360	450
3 Ettgrepsspak HC Nautic (Rød/blå markering)	4342627	GB41637363 01	373	466
4 Dekkplugg Rød/blå merking	4342661	GB41634828 01	114	143
5 Servicepatron m/verktøy Nautic/Logic	4343367	GB41637267 01	443	554
6 Låsring M45x1,5	4342753	GB41637261 01	126	158
7 Strålesamlere M28x1	4343123	GB41634555 01	316	395
8 Strålesamlere M22x1	4343242	GB41630129 01	92	115
9 Strålesamlere M24x1	4343241	GB41630131 01	92	115
10 Utløpstut 250	4342624	GB41630184	630	788
11 Draomkaster	4341963	GB41636577 01	248	310
12 Tilkoplingsnippel G1/2-M20x1,5	4341962	GB41634757 01	134	168
13 Tilobl.nippel m/tilb.sl.ventil f/dusjslange G1/2-M20x1,5	4343363	GB41634756 01	134	168
14 Tilkoplingsnippel for omkastere	4343362	GB41636359 01	51	64
15 Tilkoplingsnippel for badekartut	4343368	GB41637347	134	168
16 Svingbar utløpstut 85 mm	4342879	GB41633631	457	571
17 Svingbar utløpstut 150 mm	4342877	GB41633632	457	571
18 Svingbar utløpstut 200 mm	4342878	GB41633633	608	760
19 Svingbar utløpstut 250 mm	4342868	GB41633614	630	788
20 Svingbar utløpstut 350 mm	4342625	GB41633616	806	1.008
21 Svingbar utløpstut 400 mm	4342626	GB41633624	841	1.051
22 O-ringsats for utløpstut	4342755	GB41633952 01	55	69
23 Detaljer for slagbegrensning tut	4342754	GB41633972	52	65
24 Hånddusj for veggmonterte blandebatterier m/slange	4343335	GB41634210	795	994
25 Strålesamler M24x1 D	4342717	GB41637387 01	316	395
26 Tilkoplingsnippel M20x1,5	4343362	GB41636359 01	51	64



RESERVEDELER

Estetic Veggkran - Ettgreps

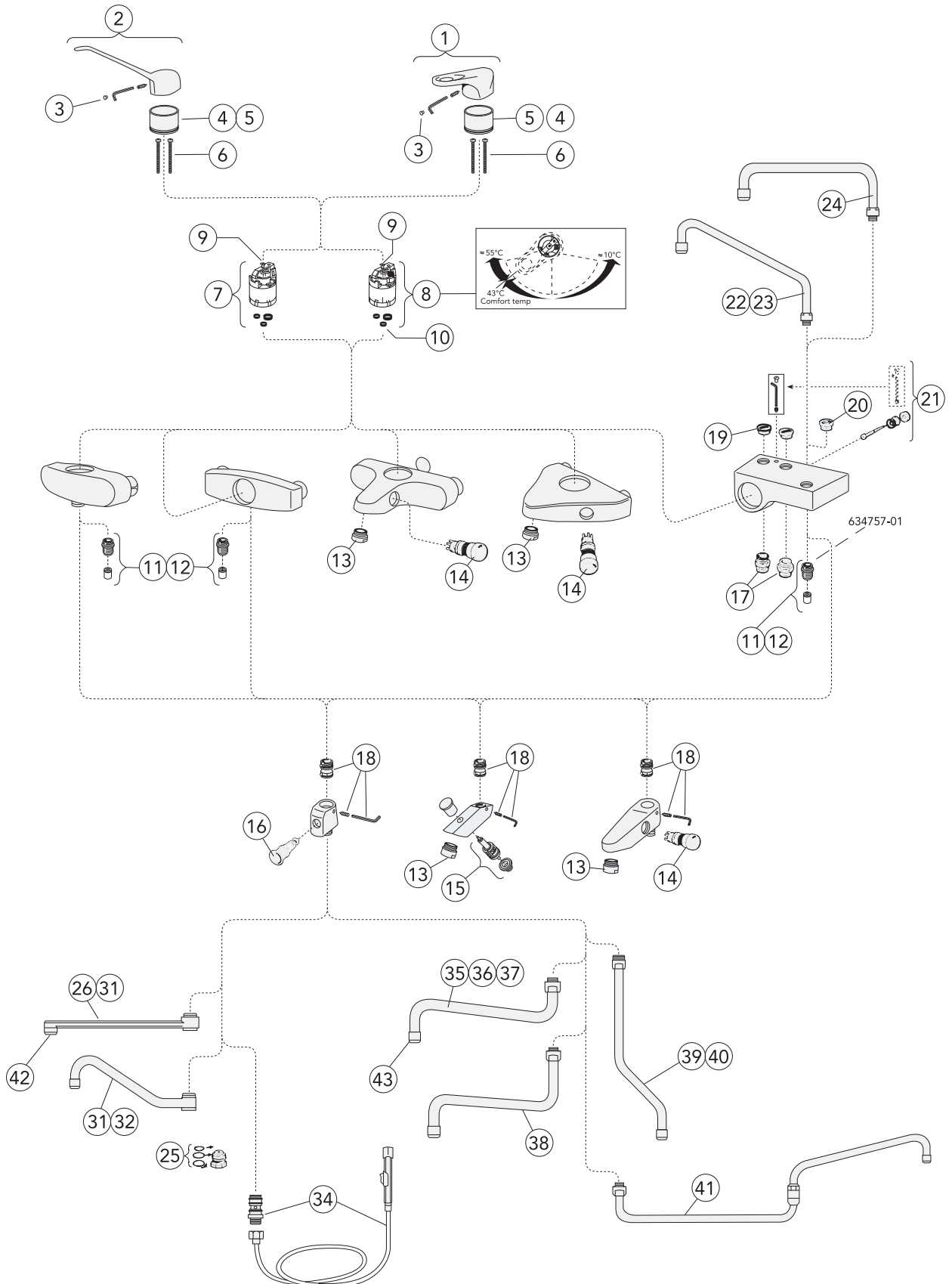
DETALJENUMMER OG PRODUKT	NRF. NR.	ART. NR.	VEIL. PRIS EKS. MVA.	VEIL. PRIS INKL. MVA.
1 Spak for dusjkran, Estetic, krom		GB41639330 01	235	294
2 Spak for dusjkran, Estetic, sort		GB41639330 23	985	1.231
3 Spak for dusjkran, Estetic, matt hvit		GB41639330 41	940	1.175
4 Servicepatron/Kar/Dusjkran Coloric, Estetic		GB41637393	193	241
5 Anslutningsnippel med tilbakesventil G1/2-M20x1,5		GB41634756 01	134	168
6 Hylse Nv 30		GB41638429 01	184	230
7 Pakkning ø24,2-15,3x3 för anslutning 150 cc		GB41635641	21	26
8 Anslutningsnippel for badekartut		GB41639298 01	134	168
9 Perlator/strålesamler, Cache, M24x1-D, SLC		GB41639282 01	314	393
10 Draomkaster		GB41639328 01	248	310





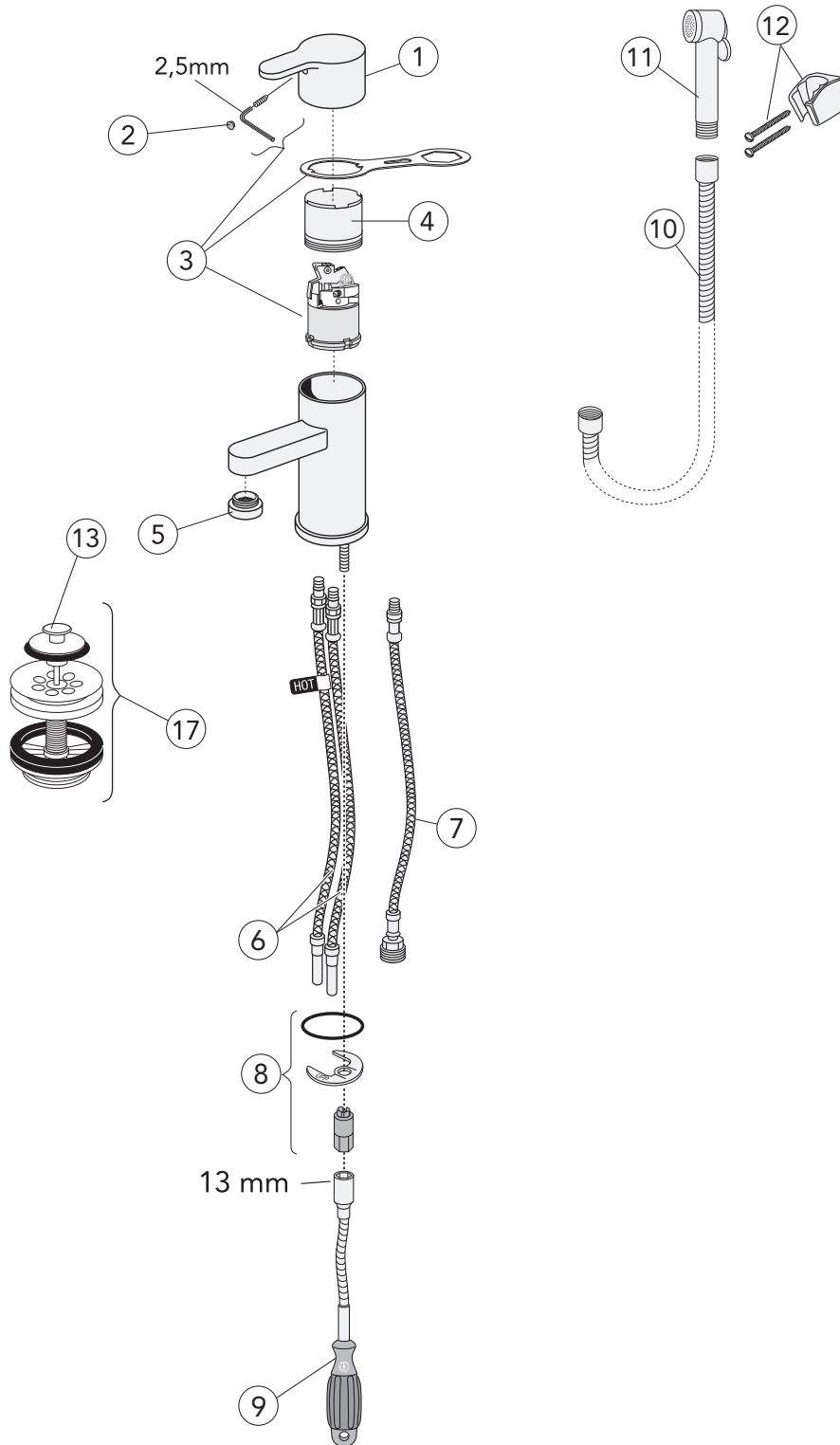
Nordic, Nautic og Skandic termostat

DETALJENUMMER OG PRODUKT	NRF. NR.	ART. NR.	VEIL. PRIS EKS. MVA.	VEIL. PRIS INKL. MVA.
1 Ratt for mengdesiden Nautic	4342635	GB41637804 01	115	144
2 Ratt for mengdsiden Nordic	4343061	GB41636479 01	115	144
3 Ratt for mengdsiden Skandic 03	4342684	GB41636465 01	772	965
8 Termostatinnsetts	4343295	GB41634045 01	597	746
9 Ratt for temperatursiden Nautic (gammel)	4342636	GB41637810 01	115	144
10 Ratt for temperatursiden Nordic	4343062	GB41636480 01	117	146
11 Ratt for temperatursiden Skandic 03	4342685	GB41636460 01	772	965
12 UTGÅTT				
13 Tilkoblingsnippel med tilbakeslagsventil G1/2-G1/2	4341952	GB41632814 02	134	168
14 Utløpsnippel M20x1,5-G1/2	4341962	GB41634757 01	134	168
18 HC spak for mengde/temperatursiden	4342637	GB41637840 02	184	230
19 Kompl. overdel f/mengdeside	4343314	GB41634035 01	134	168
20 Tilbakeslagsventil med filter	4343096	GB41632698 02	145	181
21 Filter for tilbakeslagsventil	4343065	GB41635633 02	48	60
23 Strålesamler M28x1, krom	4343123	GB41634555 01	316	395
24 Strålesamler M28x1, grå	4342692	GB41634078 01	319	399
25 Draomkaster	4341963	GB41636577 01	248	310
26 Tilkoblingsnippelsnippel 20x1,5 2007 10-	4343368	GB41637347	134	168
27 Tilkoblingsnippelsnippel M20x1,5 -2007 10	4343362	GB41636359 01	51	64
28 Omkaster	4343124	GB41634799 0001	173	216
29 Omkaster	4342634	GB41637315	659	824
30 Svingbar utløpstut 85 mm	4342879	GB41633631	457	571
31 Svingbar utløpstut 150 mm	4342877	GB41633632	457	571
32 Svingbar utløpstut 200 mm	4342878	GB41633633	608	760
33 Svingbar utløpstut 250 mm	4342868	GB41633614	630	788
34 Svingbar utløpstut 350 mm	4342625	GB41633616	806	1.008
35 Svingbar utløpstut 400 mm	4342626	GB41633624	841	1.051
36 O-ringsats for utløpstut	4342755	GB41633952 01	55	69
37 Strålsamlere M24x1	4343241	GB41630131 01	92	115
38 Tilkoblingsnippel G1/2xG1/2	4341958	GB41632815	134	168
39 Utløpsnippel G1/2xG1/2	4341959	GB41638339 01	51	64
40 Hånddusj for veggmonterte blandedbatterier m/slange	4343335	GB41634210	795	994
41 Tidsinnstilt trykkventil (Presto)		GB41631830	5.024	6.280



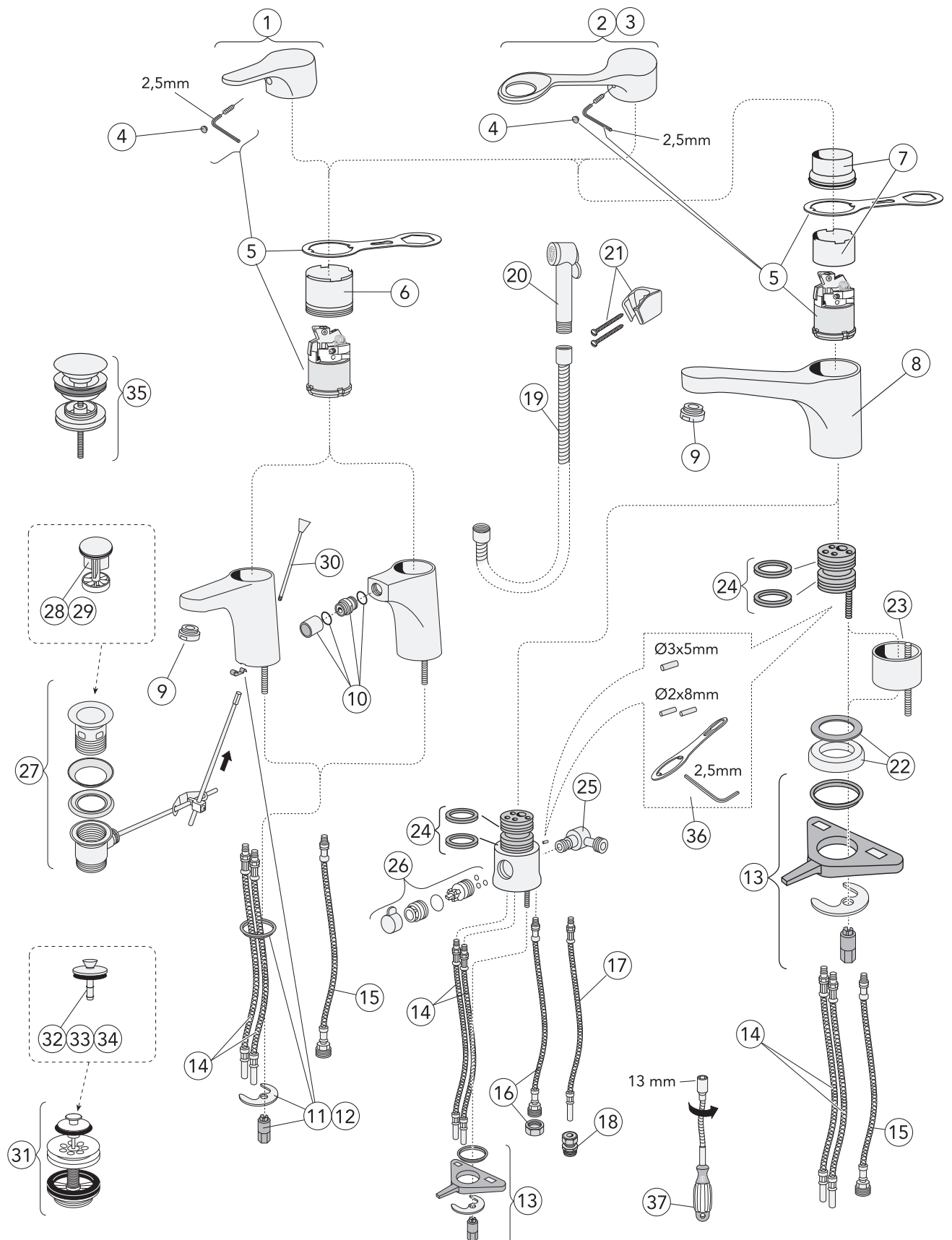
Nordic veggkran

DETALJENUMMER OG PRODUKT	NRF. NR.	ART. NR.	VEIL. PRIS EKS. MVA.	VEIL. PRIS INKL. MVA.
1 Ettgrepspak Nordic	4343347	GB41636617 01	185	231
2 Ettgrepspak RH Nordic	4342991	GB41635430 01	360	450
3 Dekkkplugg rød/blå merking	4342661	GB41634828 01	114	143
4 Kåpe gjenget	4343166	GB41634470 01	126	158
5 Kåpe med O-ring	4343126	GB41636326 01	130	163
6 Skrue M5x40	4343216	GB41632731 02	52	65
7 Servicepatron inkl. topplokk(634955-01)	4343196	GB41633877 01	527	659
8 Servicepatron TT-funksjon	4343059	GB41635678 8701	514	643
10 Gummipakning f/servicepatron	4343211	GB41633513 01	67	84
11 Tilkoplingsnippel G1/2-M20x1,5	4341962	GB41634757 01	134	168
12 Tilkoplingsnippel med backventil G1/2-M20x1,5	4343363	GB41634756 01	134	168
13 Strålsamlere M28x1	4343123	GB41634555 01	316	395
14 Omkastere	4343124	GB41634799 0001	173	216
15 Draomkastere	4341963	GB41636577 01	248	310
16 Draomkastere		GB41635175 01	244	305
18 Tilkoplingsnippel for omkastere	4343362	GB41636359 01	51	64
25 O-ringsats for utløpstut	4342755	GB41633952 01	55	69
26 Svingbar utløpstut 85 mm	4342879	GB41633631	457	571
27 Svingbar utløpstut 150 mm	4342877	GB41633632	457	571
28 Svingbar utløpstut 200 mm	4342878	GB41633633	608	760
29 Svingbar utløpstut 250 mm	4342868	GB41633614	630	788
30 Svingbar utløpstut 350 mm	4342625	GB41633616	806	1.008
31 Svingbar utløpstut 400 mm	4342626	GB41633624	841	1.051
32 Svingbar utløpstut 250 mm		GB41633644	453	566
33 Svingbar utløpstut 410 mm		GB41633646	726	908
34 Hånddusj for veggmonterte blandebatterier	4343335	GB41634210	795	994
35 Svingbar utløpstut 150 mm	4342815	GB41630191	341	426
36 Svingbar utløpstut 250 mm	4342819	GB41630194	463	579
37 Svingbar utløpstut 350 mm	4342975	GB41630197	373	466
38 Svingbar utløpstut 250 mm	4342977	GB41630196	373	466
41 Svingbar utløpstut 945 mm	4342811	GB41630151	1.754	2.193
42 Strålesamlere M24x1	4343241	GB41630131 01	92	115
43 Strålesamlere M22x1	4343242	GB41630129 01	92	115
Strålesamlere M24x1		GB41630131 01	92	115



Nordic³ servantkran

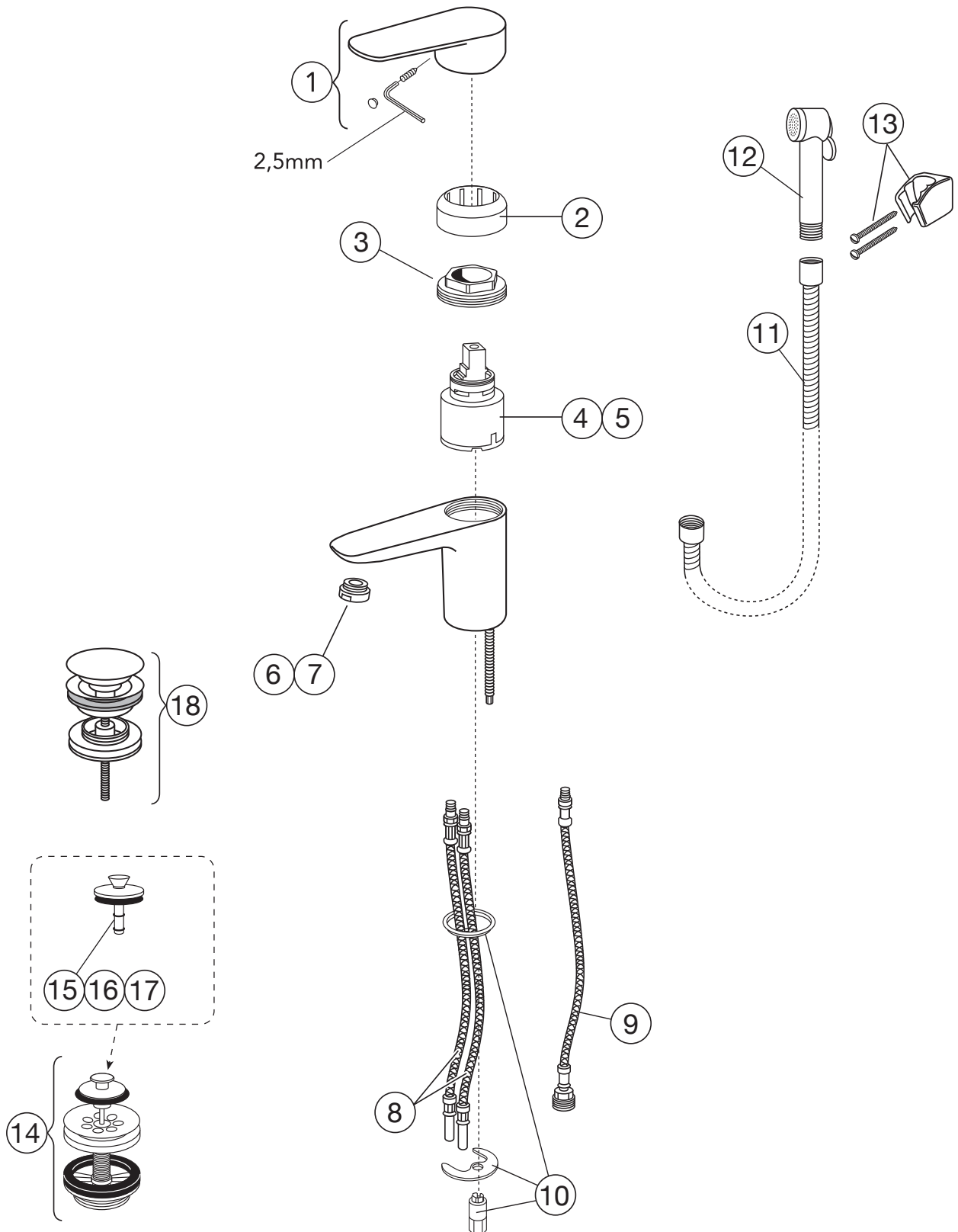
DETALJENUMMER OG PRODUKT	NRF. NR.	ART. NR.	VEIL. PRIS EKS. MVA.	VEIL. PRIS INKL. MVA.
1 Ettgreppspak Nordic ³		GB41639062 01	247	309
2 Dekkplugg	4342661	GB41634828 01	114	143
3 Servicepatron m/verktøy for Nordic ³ / Nautic/Logic	4343367	GB41637267 01	443	554
4 Låsering M45x1,5	4342753	GB41637261 01	126	158
5 Strålesamler, M24x1		GB41639097 01	92	115
6 SoftPex slanger (M10x1-ø10)	4342633	GB41637161 02	185	231
7 SoftPex slange (M10x1-G1/2)	4342769	GB41638224 01	130	163
8 Monteringsdetaljer	4342772	GB41636457 01	66	83
9 Monteringsverktøy 13/6k	4343341	GB43000014 10	178	223
10 Dusjslange Biflex 1,75m G1/2xG1/2	4343804	GB41636263 00	102	128
11 Selvstengende hånddusj	4343121	GB41633860 33	566	708
12 Hånddusjfeste	4340714	GB41637575	103	129
13 Propp till silpluggventil (ø36 mm) 2010 05-	4340718	GB41638453 01	74	93





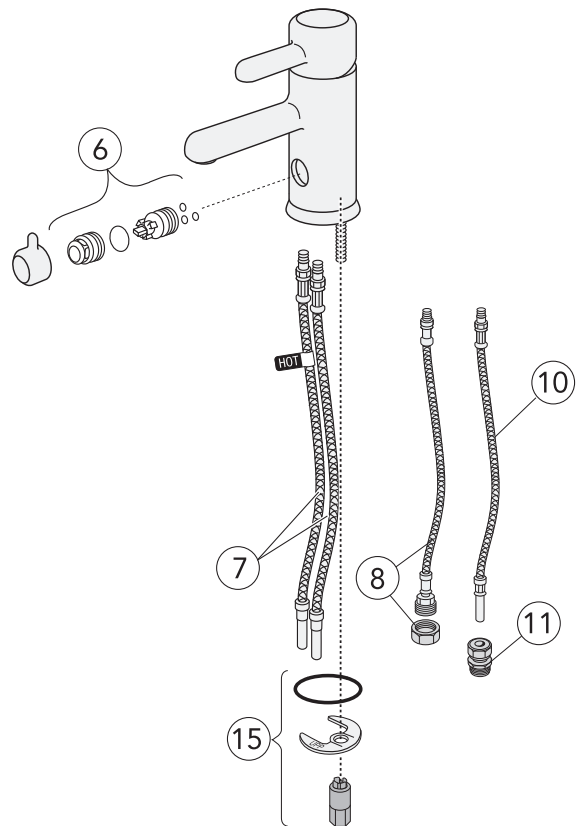
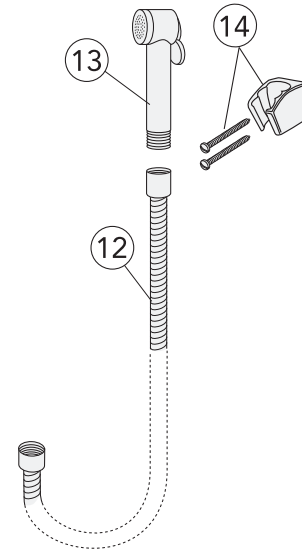
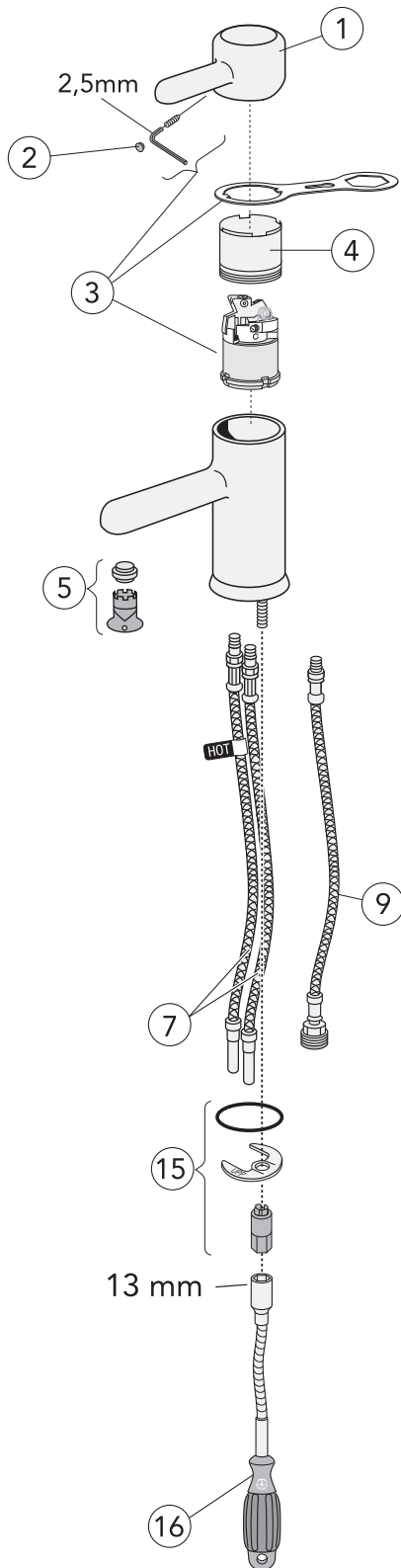
Nautic servant- og bidekran

DETALJENUMMER OG PRODUKT	NRF. NR.	ART. NR.	VEIL. PRIS EKS. MVA.	VEIL. PRIS INKL. MVA.
1 Ettgrepsspak Nautic	4343366	GB41637250	250	313
2 Ettgrepsspak HC Nautic	4342627	GB41637360 01	360	450
3 Ettgrepsspak HC Nautic (Rød/blå merking)		GB41637363 01	373	466
4 Dekkplugg rød/blå merking	4342661	GB41634828 01	114	143
5 Servicpatron m/verktøy Nautic/Logic	4343367	GB41637267 01	443	554
6 Låsering M45x1,5	4342753	GB41637261 01	126	158
7 Låsering kjøkken med lav utløpstut	4342752	GB41638202	125	156
9 Strålesamler M24x1	4343241	GB41630131 01	92	115
10 Strålesamler M18x1 m/kuleledd f/bidetbatteri	4342713	GB41637270 01	68	85
11 Monteringspose (servant-bidébatteri), -september 2011	4343319	GB41637280 01	72	90
12 Monteringsdetaljer (servant-bidébatteri), september 2011-	4342751	GB41637282 01	66	83
13 Monteringsdetaljer (kjøkkenbatteri) u/avst.	4340713	GB41634157 01	66	83
14 SoftPex slange (M10x1-ø10) lengde 440 mm	4342633	GB41637161 02	185	231
15 SoftPex slange(M10x1-G1/2), lengde 300 mm	4342769	GB41638224 01	130	163
16 SoftPex slange (M10x1-G1/2), lengde 440 mm	4342768	GB41638220 01	130	163
17 SoftPex slange (M8x1-ø10), lengde 400 mm	4342771	GB41638199 01	130	163
SoftPex slange (NY - mangler pris)(svivel)(2015-), kompositt innmatt		GB41638721 02	183	229
18 Kobling 10xG1/2	5080093	FG032033520	22	27
19 Dusjslange G1/2xG1/2	4343804	GB41636263 00	102	128
20 Selvstengende hånddusj	4343121	GB41633860 33	566	708
21 Hånddusjfeste	4340714	GB41637575	103	129
23 Forhøyingsdel 50 mm	4340715	GB41632834	787	984
24 X-ringer for utløpstut	4343213	GB41633971 02	55	69
25 Tilkoppl.vinkel f/oppv.m. o/benk	4343189	GB41635790 01	549	686
26 Avstengningskran kompl.f/benkebatteri, krom	4343188	GB41635762 3301	185	231
27 Oppløftsventil	4342638	GB41637450	540	675
28 Propp med o-ring -2007 05 (ø40 mm)	4343344	GB41632625 01	74	93
29 Propp m/oppløftsventil 2007 05- (ø38 mm)	4342651	GB41637453	125	156
30 Løftestang	4343055	GB41630305	110	138
31 Silventil	4342653	GB41637445	495	619
32 Propp til silpluggventil -2007 11	4340716	GB41632633 01	74	93
33 Propp til silpluggventil(ø43,5 mm) -2008 11 -2010 05		GB41637446	74	93
34 Propp til silpluggventil 2010 05-2011 01	4340718	GB41638453 01	74	93
35 Push-down ventil	4343054	GB41636575 01	387	484
36 Detaljer for slagbegrensningstut	4342754	GB41633972	52	65
37 Monteringsverktøy 13/6k	4343341	GB43000014 10	178	223
Monteringsverktøysett	4343369	GB43000021 01	402	503



Atlantic servantkran

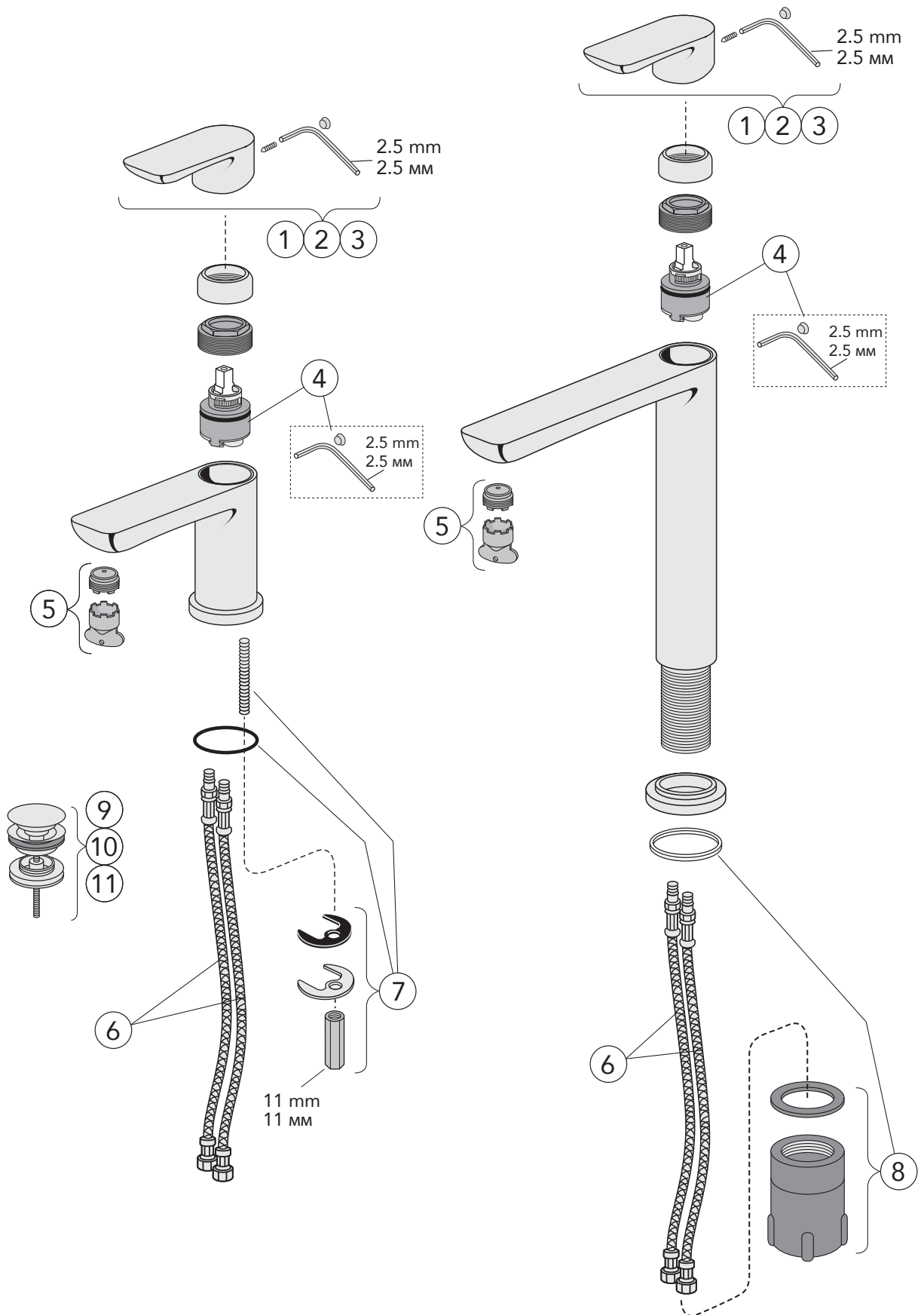
DETALJENUMMER OG PRODUKT	NRF. NR.	ART. NR.	VEIL. PRIS EKS. MVA.	VEIL. PRIS INKL. MVA.
1 Ettgrepspak Atlantic		GB41639541 01	250	313
2 Kappe		GB41639523 01		
3 Mutter- Servicepatron		GB41639522 01		
4 Servicepatron 35 mm		GB41637393	193	241
5 Servicepatron 35 mm, energispar		GB41639567 01		
6 Strålesamler/perlator M24x1		GB41630131 01	92	115
7 Strålesamler/perlator M24x1, 1,2 gpm		GB41639565 01		
8 SoftPex slange roterbar-ø10, 2014 05-		GB41638721 02	183	229
9 SoftPex slange 300 mm, roterbar - G1/2 utv.		GB41638720 01	130	163
10 Monteringsett servantkran		GB41639574 01	66	83
11 Dusjslange Biflex 1,75m G1/2xG1/2		GB41636263 00	102	128
12 Selvstengende hånddusj		GB41633860 33	566	708
13 Handdusjefeste		GB41637575	103	129
14 Silventil		GB41637445	495	619
15 Propp till silventil (ø43,5 mm) -2008 11		GB41632633 01	74	93
16 Propp till silventil (ø40,5 mm) 2008 11 - 2010 05		GB41637446	74	93
17 Propp till silventil (ø36 mm) 2010 05-		GB41638453 01	74	93
18 Push-down ventil		GB41636575 01	387	484



RESERVEDELER

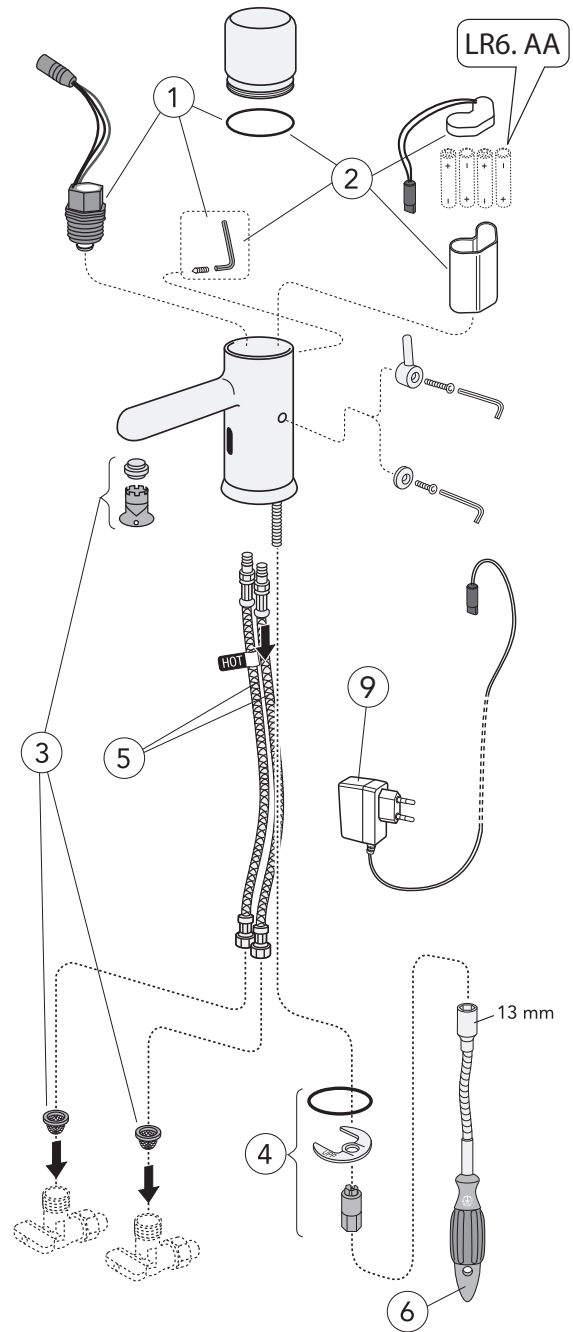
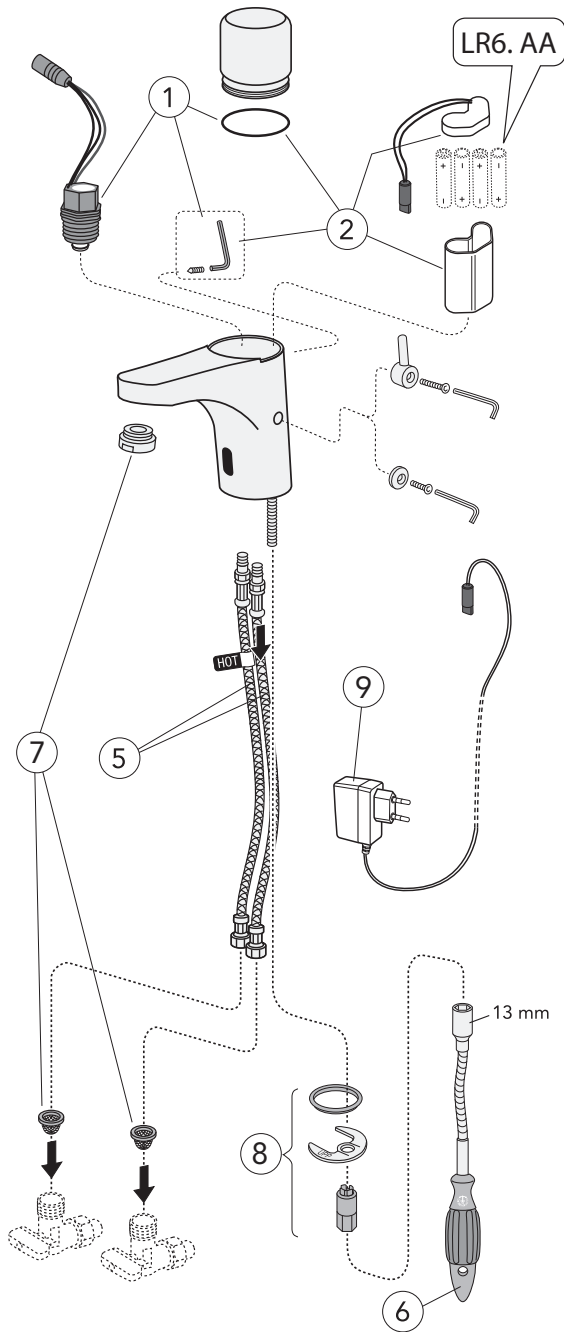
Logic servantkran

DETALJENUMMER OG PRODUKT	NRF. NR.	ART. NR.	VEIL. PRIS EKS. MVA.	VEIL. PRIS INKL. MVA.
1 Ettgrepsspak Logic	4342766	GB41638514 01	265	331
2 Dekkplugg	4342661	GB41634828 01	114	143
3 Servicepatron m/verktøy for Nautic/Logic	4343367	GB41637267 01	443	554
4 Låsering M45x1,5	4342753	GB41637261 01	126	158
5 Strålesamler, med perlator M18,5x1-B	4342767	GB41638549 01	92	115
6 Avstengningskran komplett for kjøkkenbatteri	4343188	GB41635762 3301	185	231
7 SoftPex slange (M10x1-ø10)	4342633	GB41637161 02	185	231
8 SoftPex slange (M10x1-G1/2)	4342768	GB41638220 01	130	163
9 SoftPex slange (M10x1-G1/2)	4342769	GB41638224 01	130	163
10 SoftPex slange (M8x1-ø10)	4342771	GB41638199 01	130	163
11 Kobling	50800093	FG032033520	22	27
12 Dusjslange	4343804	GB41636263 00	102	128
13 Selvstengende hånddusj	4343121	GB41633860 33	566	708
14 Hånddusjefeste	4340714	GB41637575	103	129
15 Monteringsdetaljer	4342772	GB41636457 01	66	83
16 Monteringsverktøy 13/6k	4343341	GB43000014 10	178	223
Monteringsverktøysett	4343369	GB43000021 01	402	503



Estetic servantkran

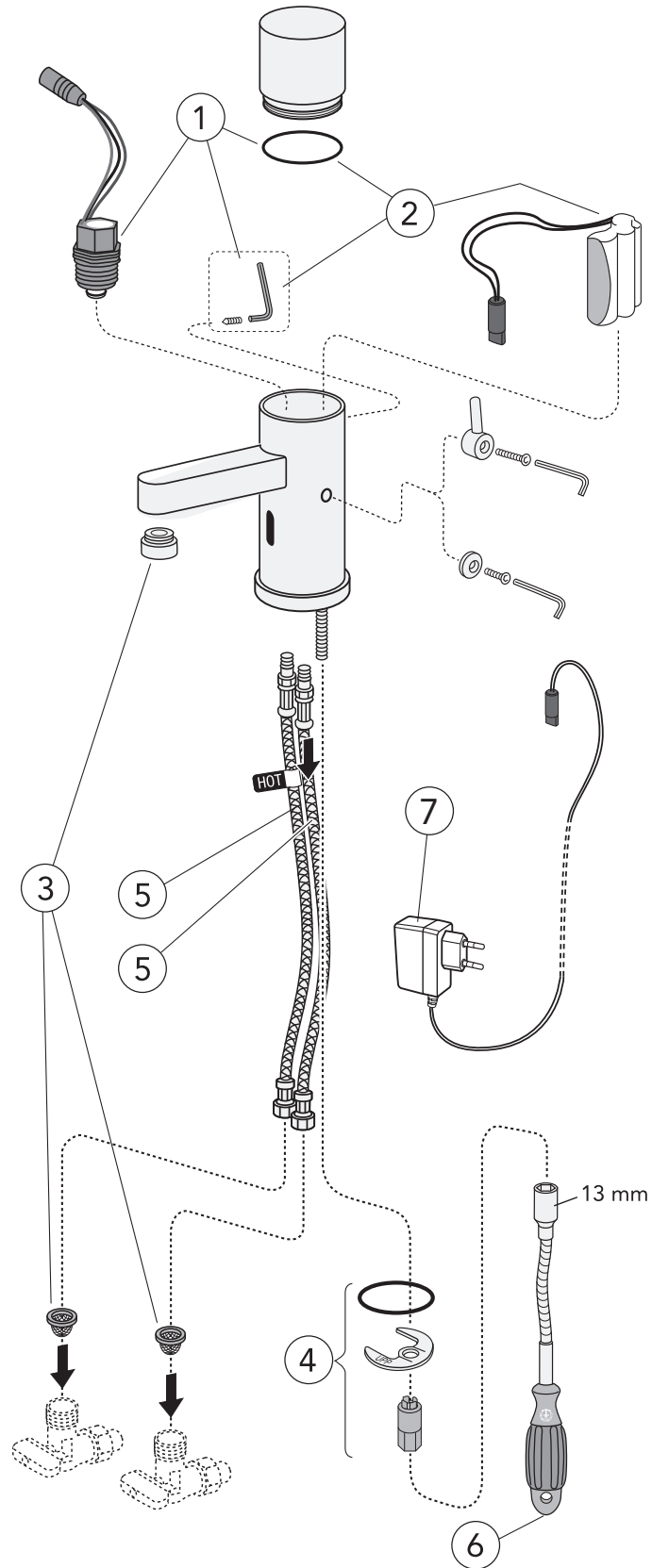
DETALJENUMMER OG PRODUKT	NRF. NR.	ART. NR.	VEIL. PRIS EKS. MVA.	VEIL. PRIS INKL. MVA.
1 Spak for ettgreps servantkran, Estetic, krom		GB41639332 01	180	225
2 Spak for ettgreps servantkran, Estetic, svart		GB41639332 23	939	1.174
3 Spak for ettgreps servantkran, Estetic, matt vit		GB41639332 41	892	1.115
4 Servicepatron ø35 med fordeler		GB41639329 01	173	216
5 Perloator/strålesamler, SSR, STD, M24x1, 8 l/min		GB41639333 01	314	393
6 SPX-slang-440 M10x1-19, G3/8		GB41636726 02	225	281
7 Monteringssett for servantkran Estetic		GB41639327 01	169	211
8 Monteringssett for servantkran hög Estetic		GB41639331 01	66	83





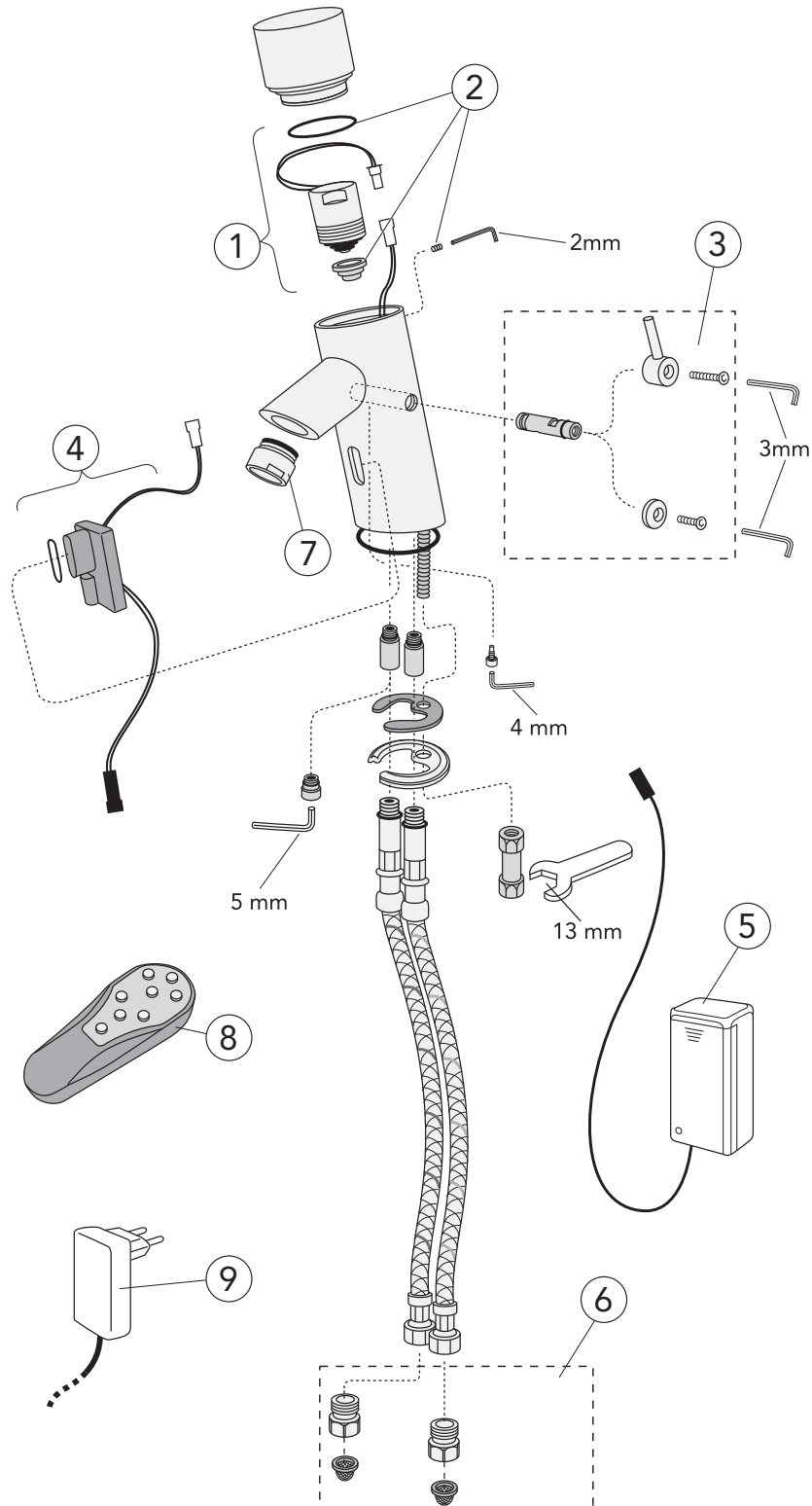
Nautic/Logic servantkran, elektronisk

DETALJENUMMER OG PRODUKT	NRF. NR.	ART. NR.	VEIL. PRIS EKS. MVA.	VEIL. PRIS INKL. MVA.
1 Magnetventil		GB41638557 01	999	1.249
2 Batteri	4342773	GB41638560 01	350	438
3 Filter, perlator Logic		GB41638544 01	92	115
4 Monteringssats	4342772	GB41636457 01	66	83
5 SoftPex slange (M10x1-G3/8)	4342775	GB41636629 01	107	134
6 Monteringsverktøy	4343341	GB43000014 10	178	223
7 Filter, perlator Nautic		GB41638739 01	91	114
8 Monteringssats Nautic	4342751	GB41637282 01	66	83
Transformator		GB41638561	241	301
Monteringsverktøysett	4343369	GB43000021 01	402	503



Nordic³ servantkran, elektronisk

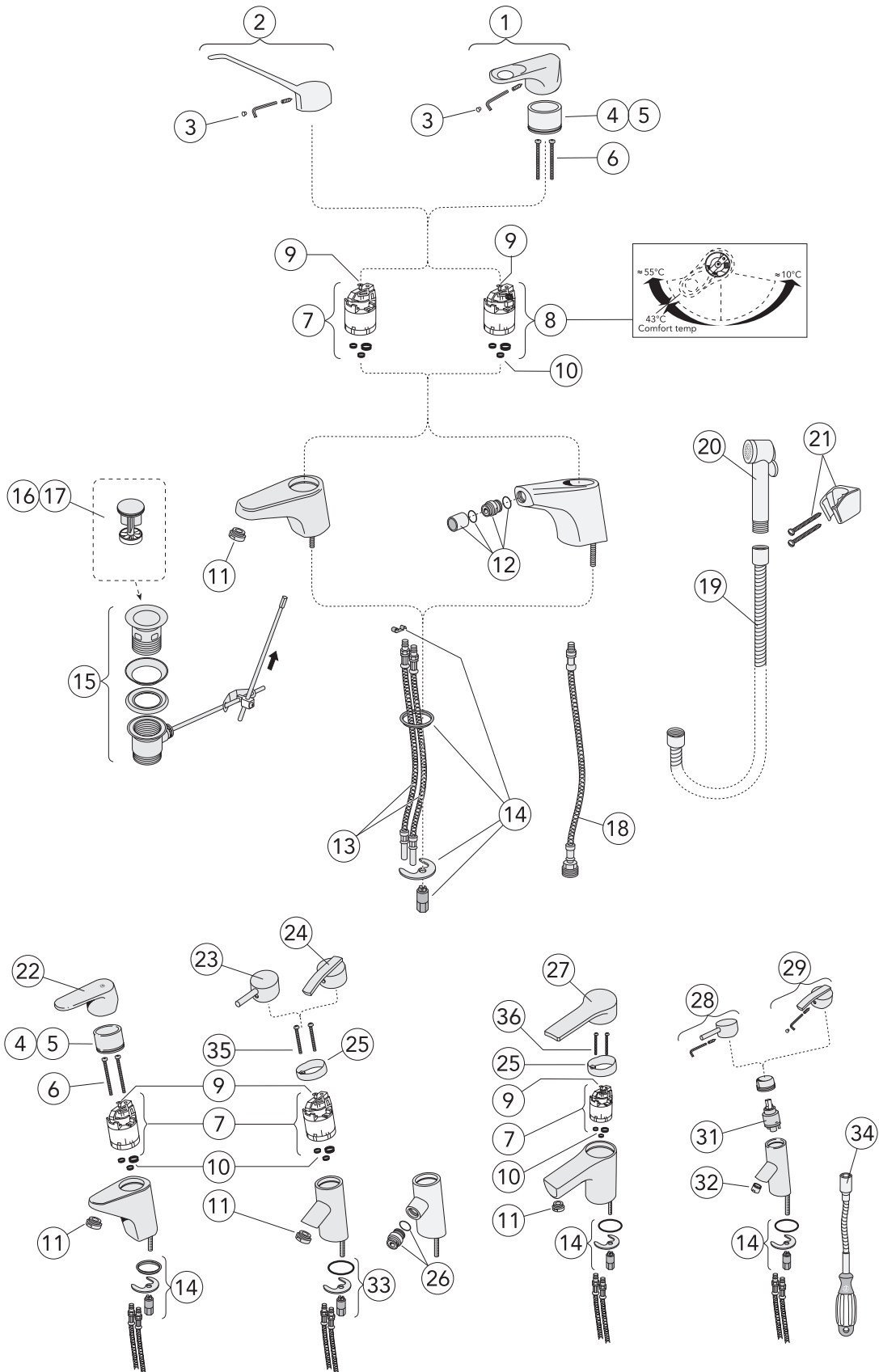
DETALJENUMMER OG PRODUKT	NRF. NR.	ART. NR.	VEIL. PRIS EKS. MVA.	VEIL. PRIS INKL. MVA.
1 Magnetventil		GB41638557 01	999	1.249
2 Batteripakke	4342773	GB41638560 01	350	438
3 Filter, strålesamler		GB41639125 01	92	115
4 Monteringssats	4342772	GB41636457 01	66	83
5 SoftPex slange (M10x1-G3/8)	4342775	GB41636629 01	107	134
6 Monteringsverktøy 13/6k	4343341	GB43000014 10	178	223
7 Transformator, 6 Volt		GB41638561	241	301





Scandic servantkran, elektronisk

DETALJENUMMER OG PRODUKT	NRF. NR.	ART. NR.	VEIL. PRIS EKS. MVA.	VEIL. PRIS INKL. MVA.
1 Magnetventil		GB41637245	999	1.249
3 Detaljer for temperaturjustering		GB41637238 01	124	155
4 Sensor		GB41637239 01	141	176
5 Batteriskuff		GB41637240 01	350	438
6 Tilkoplingsnippel		GB41637241 01	66	83
7 Strålsamler Perlator M24x1	4343241	GB41630131 01	92	115
8 UTGÅTT				
9 Transformator 9 Volt Skandic electronic		GB41637244	239	299

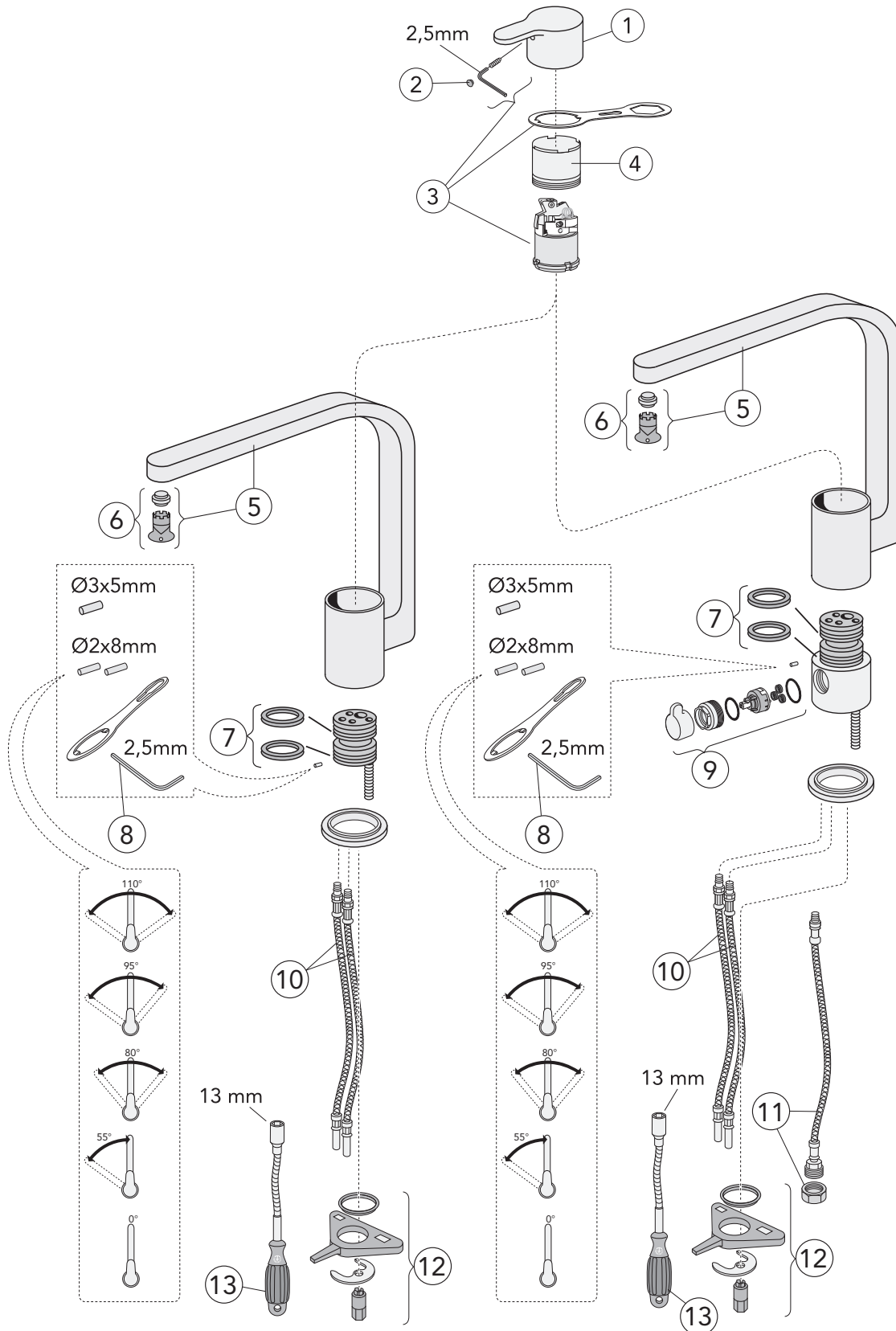


RESERVEDELER



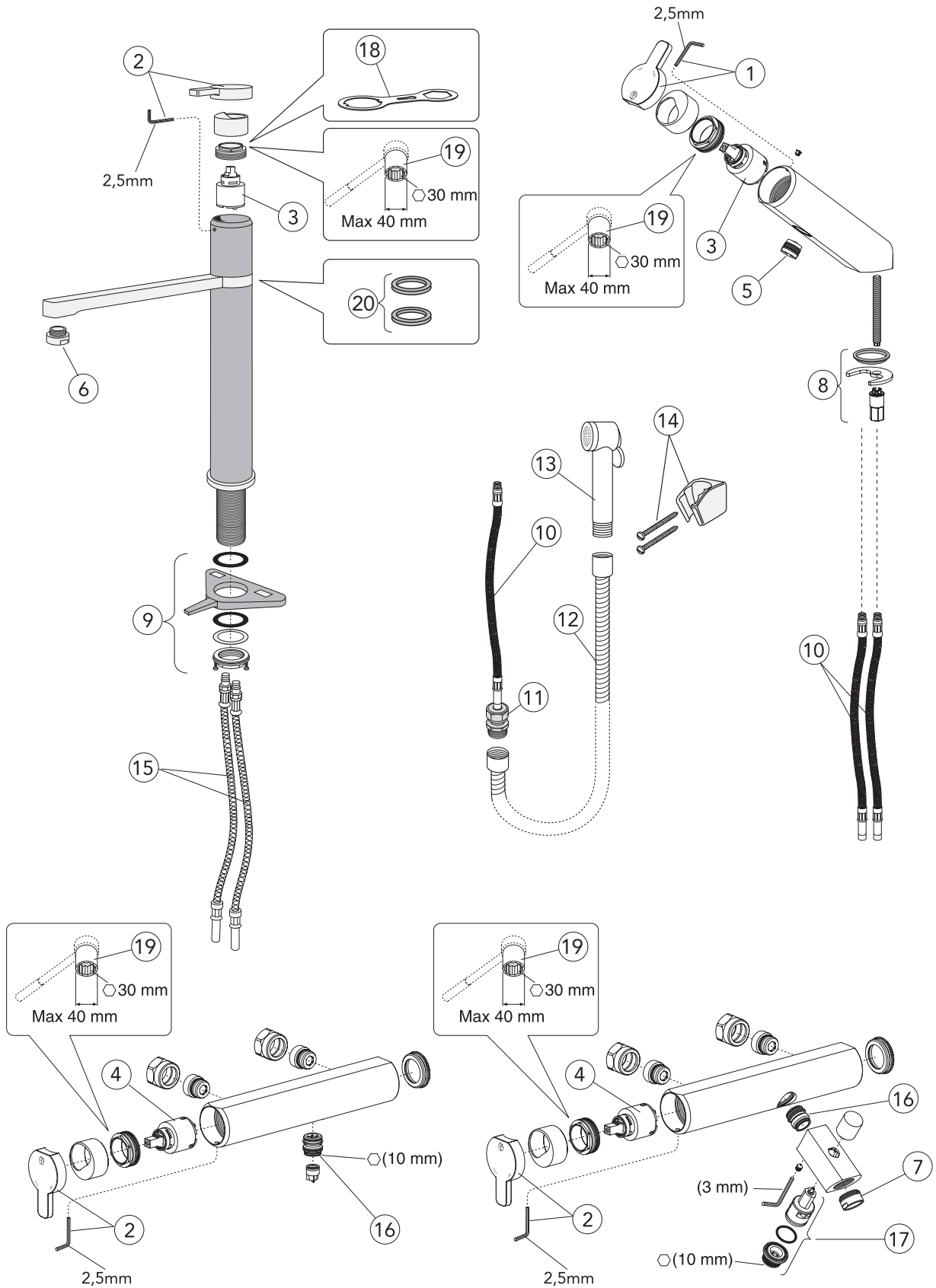
Nordic, Skandic, ND40, Centic servant- og bidekran

DETALJENUMMER OG PRODUKT	NRF. NR.	ART. NR.	VEIL. PRIS EKS. MVA.	VEIL. PRIS INKL. MVA.
1 Ettgrepsspak Nordic	4343347	GB41636617 01	185	231
2 HC Ettgrepsspak Nordic	4342991	GB41635430 01	360	450
3 Dekkplugg, rød/blå merking	4342661	GB41634828 01	114	143
4 Kåpe gjenget	4343166	GB41634470 01	126	158
5 Kåpe med O-ring	4343126	GB41636326 01	130	163
6 Festeskruer for servicepatron M5x63	4343217	GB41636302 02	141	176
7 Servicepatron inkl. topplokk 634955-01, Universal	4343196	GB41633877 01	527	659
8 Servicepatron Nordic TT-funksjon	4343059	GB41635678 8701	514	643
9 Spakfeste TP 6-19		GB41636319	52	65
10 Gummipakning for servicepatron, komplett	4343211	GB41633513 01	67	84
11 Strålesamlere M24x1	4343241	GB41630131 01	92	115
12 Perlator f/bidetbatteri	4342713	GB41637270 01	68	85
13 SoftPex slange (M10x1-ø10), 440 mm	4342633	GB41637161 02	185	231
14 Monteringsdetaljer	4343319	GB41637280 01	72	90
15 Oppløftsventil u/løftestang, krom	4342638	GB41637450	540	675
16 Propp m/O-ring -2007 05	4343344	GB41632625 01	74	93
17 Propp m/oppløftsventil 2007 0-	4342651	GB41637453	125	156
18 SoftPex slang (M10x1-G1/2), 300 mm	4342769	GB41638224 01	130	163
19 Dusjslange G1/2xG1/2	4343804	GB41636263 00	102	128
20 Selvstengende hånddusj	4343121	GB41633860 33	566	708
21 Handdusjefeste	4340714	GB41637575	103	129
22 Ettgrepsspak ND40	4343127	GB41636337 01	207	259
23 Ettgrepsspak Pin Skandic 03	4346742	GB41636448 01	762	953
24 Ettgrepsspak Leg Skandic 03	4346741	GB41636447 01	762	953
25 Kåpe	4342669	GB41635680 01	357	446
26 Strålesamlre/kullet M24x1	4343337	GB41632863 01	69	86
28 Ettgrepsspak Pin mini Skandic 03	4346745	GB41636920 01	684	855
29 UTGÅTT				
30 UTGÅTT				
31 Servicepatron 35	4343358	GB41636654 01	566	708
32 Strålsamler/perlator M18x1	4343359	GB41636912 01	72	90
33 Monteringsdetaljer	4342772	GB41636457 01	66	83
34 Monteringsverktøy13/6 kant.	4343341	GB43000014 10	178	223
Monteringsverktøysett	4343369	GB43000021 01	402	503
35 Festeskruer M5x42 for Skandic 03		GB41636606 02	56	70
36 Festeskruer M4x56 for Centic		GB41635671 02	56	70
Kjedefeste	4343068	GB41634119	48	60



Nordic³ kjøkkenkran

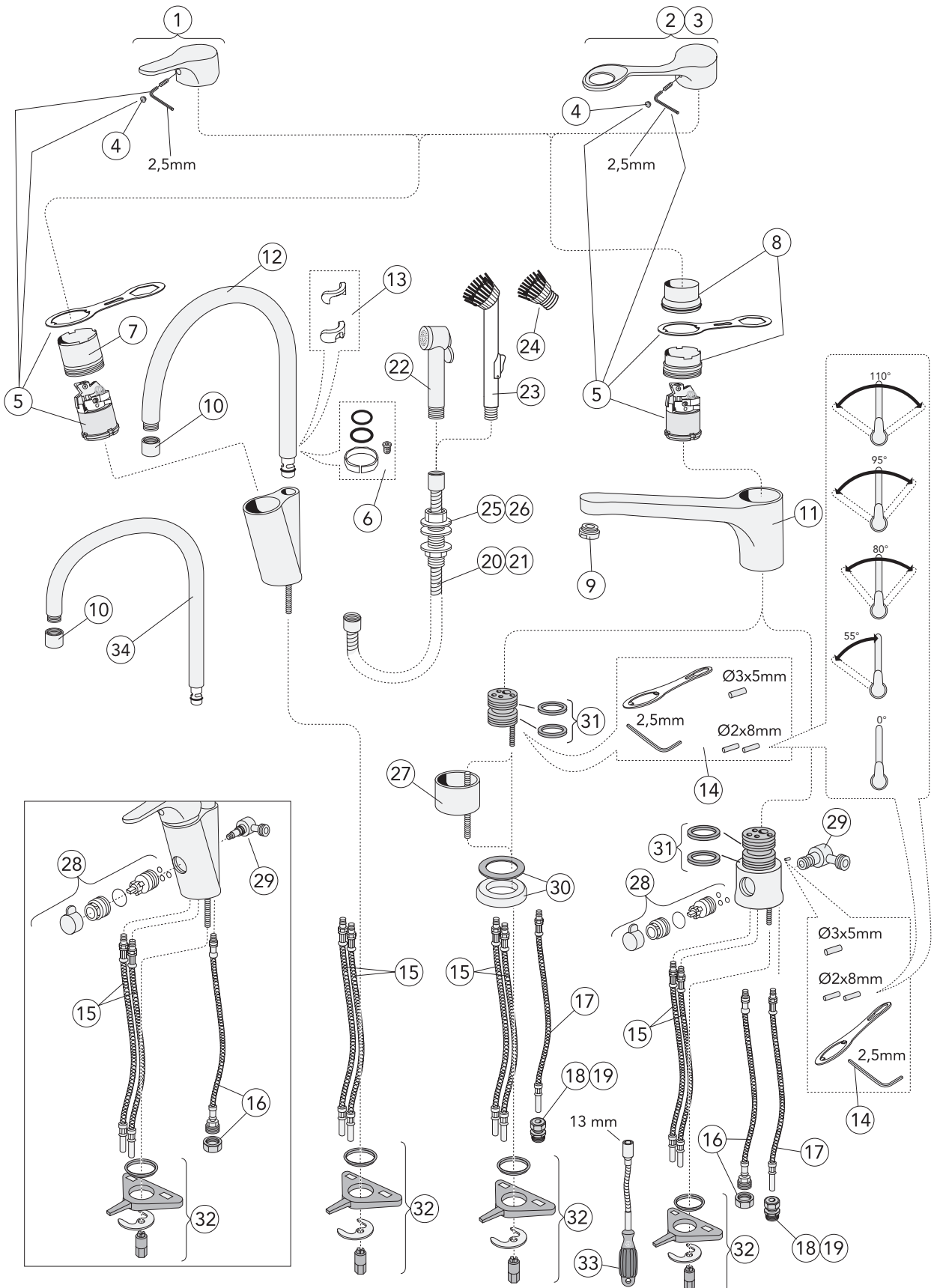
DETALJENUMMER OG PRODUKT	NRF. NR.	ART. NR.	VEIL. PRIS EKS. MVA.	VEIL. PRIS INKL. MVA.
1 Ettgreppspak Nordic ³		GB41639062 01	247	309
2 Dekkplugg rød/blå merking	4342661	GB41634828 01	114	143
3 Servicepatron	4343367	GB41637267 01	443	554
4 Låsering M45x1,5	4342753	GB41637261 01	126	158
5 Utløpstut		GB41639066 01	1.254	1.568
6 Strålesamler, Caché-HC-TJ-maie M18,5x1-B	4342767	GB41638549 01	92	115
7 X-ringer	4343213	GB41633971 02	55	69
8 Detaljer for slagbegrensning - utløpstut	4342754	GB41633972	52	65
9 Avstengningskran komplett 1998 08-	4343188	GB41635762 3301	185	231
10 SoftPex slanger (M10x1-ø10)	4342633	GB41637161 02	185	231
11 SoftPex slange (M10x1-G1/2)	4342768	GB41638220 01	130	163
12 Monteringsdetaljer (kjøkkenbatteri)	4340713	GB41634157 01	66	83
13 Monteringsverktøy 13/6kant.	4343341	GB43000014 10	178	223
Ledet perlator		GB41638521 01	125	156





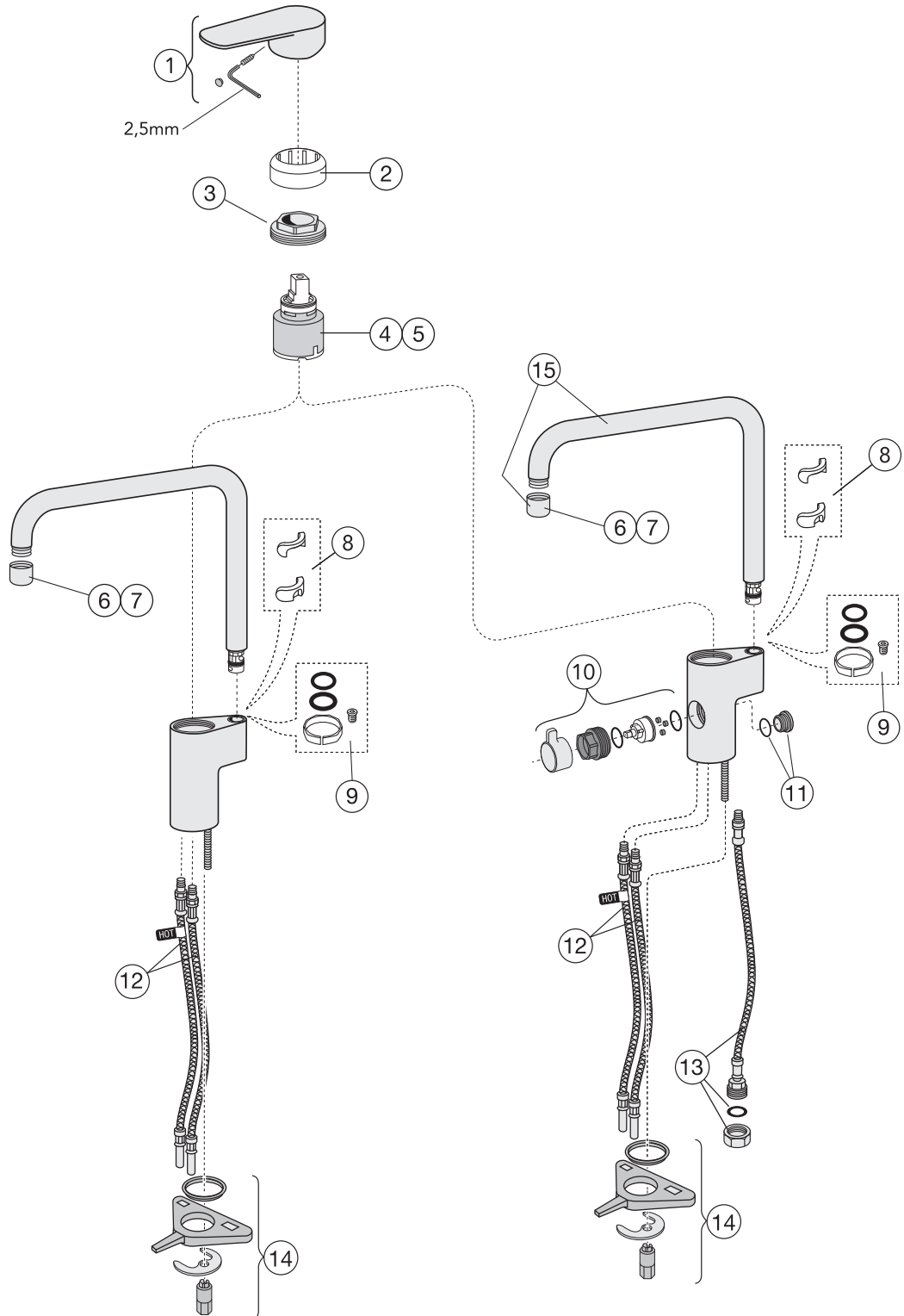
Coloric servant-, kjøkken-, dusj- og badekarkran

DETALJENUMMER OG PRODUKT	NRF. NR.	ART. NR.	VEIL. PRIS EKS. MVA.	VEIL. PRIS INKL. MVA.
1 Ettgrepspak servantbatterier Coloric	4342721	GB41637406	497	621
2 Ettgrepspak Kjøkken/kar/dusjblatt, Coloric	4342722	GB41637407	444	555
3 Servicepatron servant/kjøkkenbatt, Coloric	4342724	GB41637415	173	216
4 Servicepatron kar/dusjbatterier Coloric	4342719	GB41637393	193	241
5 Strålesamlere M18,5x1	4342926	GB41637418	224	280
6 Strålesamlere M24x1 "A"	4343241	GB41630131 01	92	115
7 Strålesamlere M24x1 "D"	4342717	GB41637387 01	316	395
8 Monteringsdetaljer servantbatterier	4343319	GB41637280 01	72	90
9 Monteringsdetaljer kjøkkenbatterier	4342714	GB41638358 01	66	83
10 SoftPex slange	4342718	GB41637389 02	207	259
11 Kobling 10xG1/2	5080123	FG032033520	22	27
12 Dusjslange G1/2xG1/2	4343804	GB41636263 00	102	128
13 Selvstengende hånddusj	4343121	GB41633860 33	566	708
14 Hånddusj feste	4340714	GB41637575	103	129
15 SoftPex slange	4342715	GB41638361 02	207	259
16 Tilkoblingsnippel utløp	4342723	GB41637410	133	166
17 Draomkastare	4342725	GB41637416	345	431
Monteringsverktøy 13/6k	4343341	GB43000014 10	178	223
Monteringsverktøysett	4343369	GB43000021 01	402	503
18 Verktøy Nautic		GB41637260	141	176
19 Hylse NV		GB41638429 01	184	230
20 X-ringer	4343213	GB41633971 02	55	69



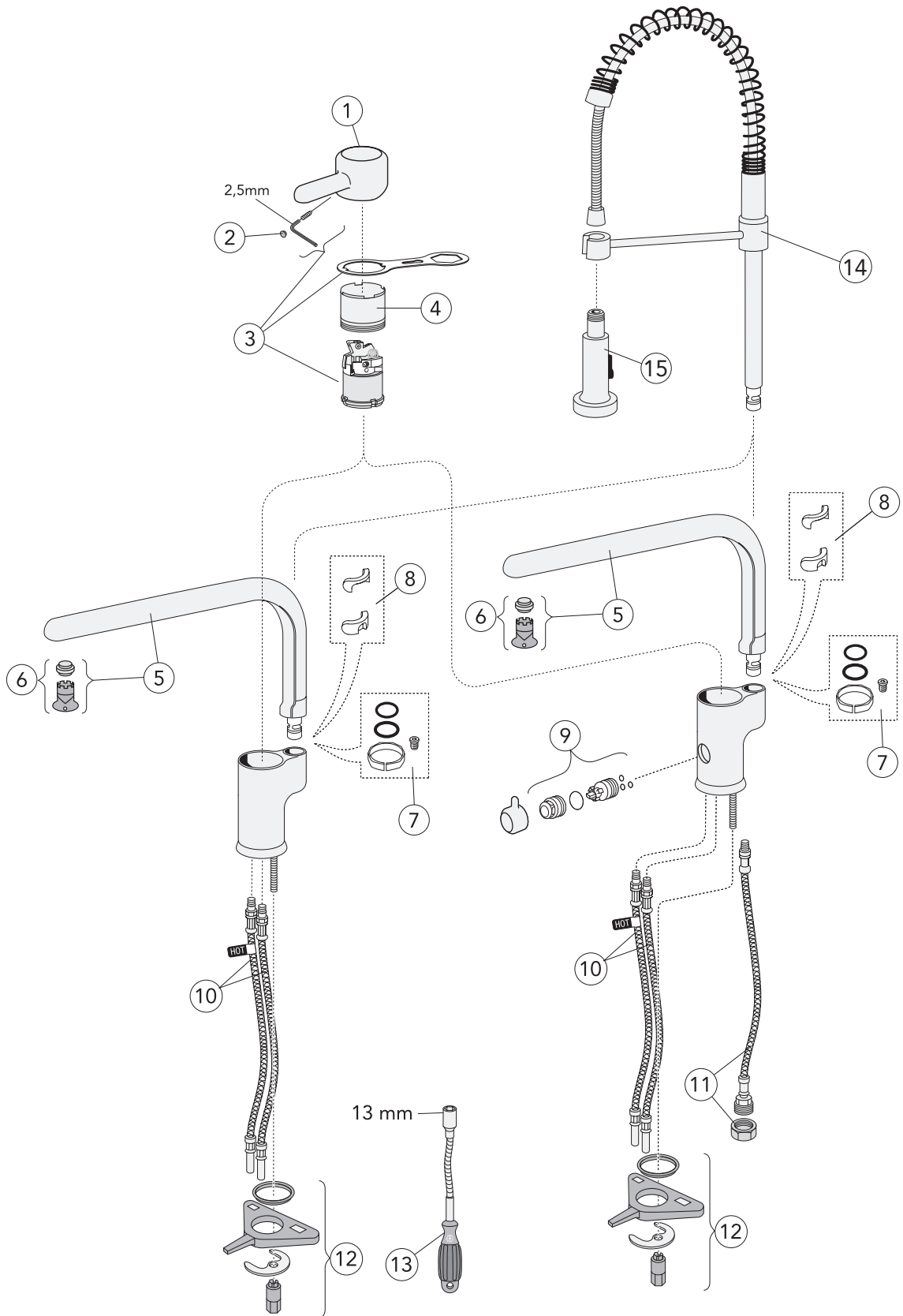
Nautic kjøkkenkran

DETALJENUMMER OG PRODUKT	NRF. NR.	ART. NR.	VEIL. PRIS EKS. MVA.	VEIL. PRIS INKL. MVA.
1 Ettgrepspak Nautic	4343366	GB41637250	250	313
2 Ettgrepspak HC Nautic	4342627	GB41637360 01	360	450
3 Ettgreps HC spak Nautic (rød/blå merking)	4342735	GB41637363 01	373	466
4 Dekkplugg rød/blå merking	4342661	GB41634828 01	114	143
5 Servicepatron Nautic	4343367	GB41637267 01	443	554
6 O-ringsats	4342659	GB41637010 01	116	145
7 Låsering M45x1,5	4342753	GB41637261 01	126	158
8 Låsering kj.batt med lav utløpstut	4342752	GB41638202	125	156
9 Strålsamlere M24x1	4343241	GB41630131 01	92	115
10 Strålsamlere M22x1	4343242	GB41630129 01	92	115
11 Utløpstut		GB41638196	1.254	1.568
12 Utløpstut Nautic/Nordic -2007 04	4342776	GB41637326 0	873	1.091
13 Slagbegrensningssats - utløpstut	4342716	GB41638450	100	125
14 Detaljer for slagbegrensning	4342754	GB41633972	52	65
15 SoftPex slange (M10x1-ø10)	4342633	GB41637161 02	185	231
16 SoftPex slange (M10x1-G1/2), lengde 440 mm	4342768	GB41638220 01	130	163
17 SoftPex slange (M8x1-ø10), lengde 400 mm	4342771	GB41638199 01	130	163
SoftPex slange (NY - mangler pris)(svivel)(2015-), kompositt innmatt		GB41638721 02	183	229
18 Kobling 10xG1/2, -201005	5080093	FG032033520	22	27
19 Kobling 10xG3/8, 201005-	5080086	FG032033420	17	22
20 Dusjslange G1/2xG1/2, -2010 05	4343804	GB41636263 00	102	128
21 Dusjslange G1/2xG3/8, 2010 05-	4342731	GB41638375 01	145	181
22 Selvstengende hånddusj	4343121	GB41633860 33	566	708
23 Selvstengende oppvaskbørste	4343209	GB41633861 25	662	828
24 Oppvaskbørste	4343177	GB41633858	266	333
26 Gjennomføringshylse krom (for slange med G1/2xG3/8 ansl) 2010 05-	4342732	GB41638374 01	183	229
27 Forhøyningsdel 50mm	4340715	GB41632834	787	984
28 Avstengningskran komplett 1998 08-	4343188	GB41635762 3301	185	231
29 Tilkoblingsvinkel til benkoppvaskmaskin	4343189	GB41635790 01	549	686
30 Sokkel for benkøkket batteri	4343218	GB41632952	60	75
31 X-ring for utløpstut	4343213	GB41633971 02	55	69
32 Monteringsdetaljer (kjøkkenbatterier)	4340713	GB41634157	66	83
33 Monteringsverktøy 13/6kant.	4343341	GB43000014 10	178	223
Monteringsverktøysett	4343369	GB43000021 01	402	503
34 Utløpstut Nautic		GB41638474 01	395	494



Atlantic kjøkkenkran

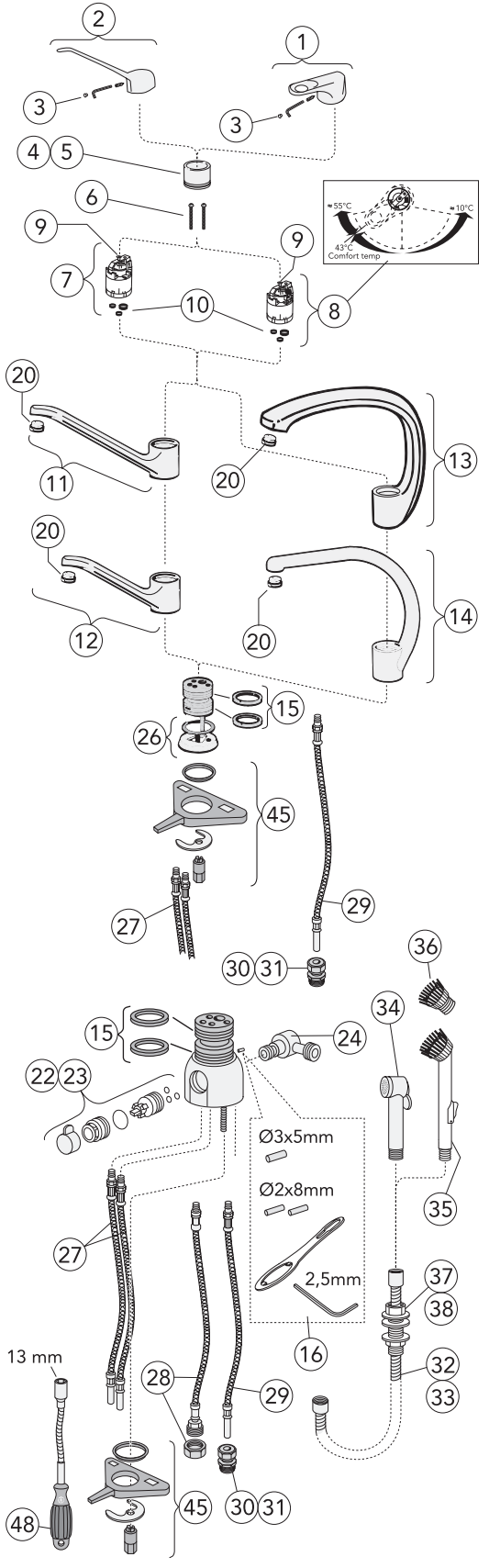
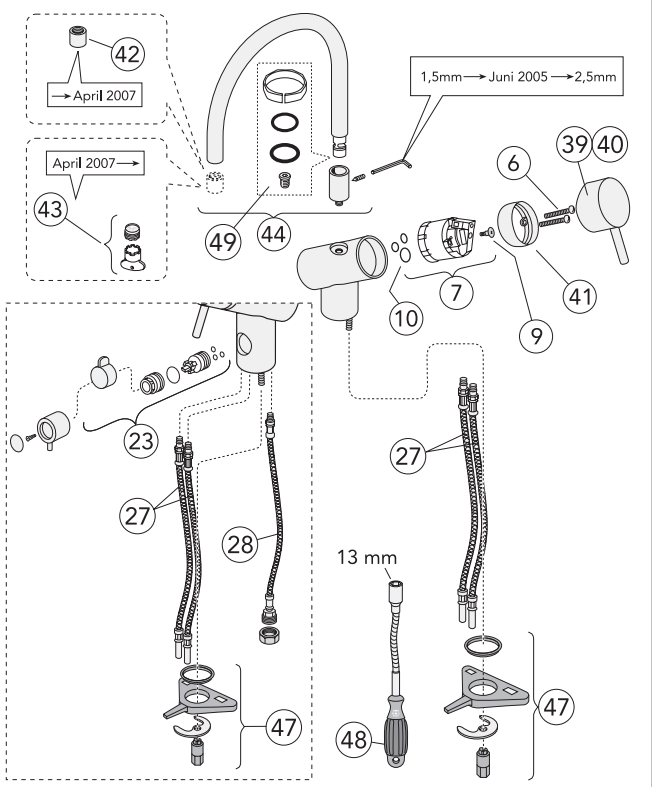
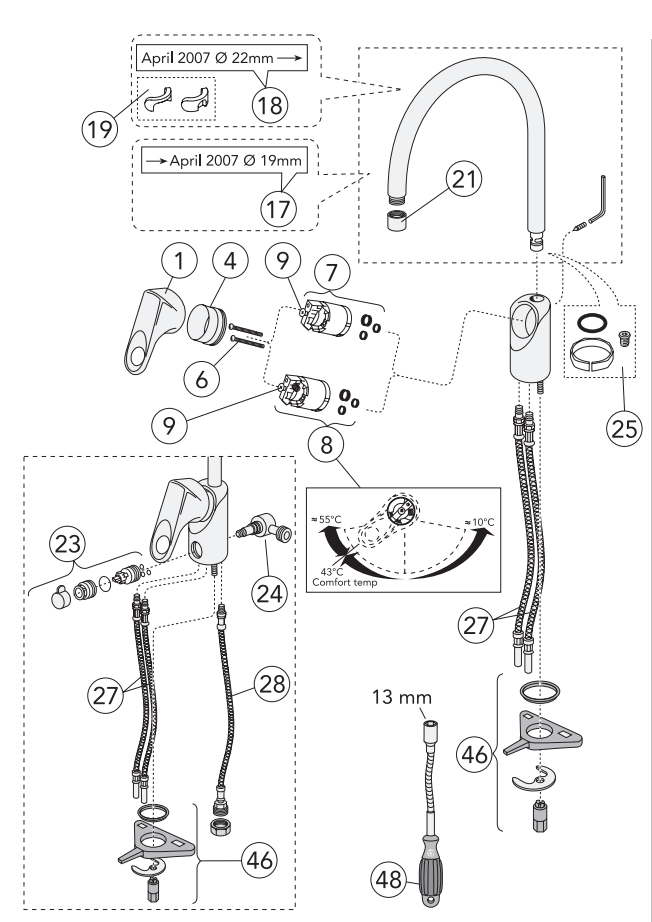
DETALJENUMMER OG PRODUKT	NRF. NR.	ART. NR.	VEIL. PRIS EKS. MVA.	VEIL. PRIS INKL. MVA.
1 Ettgrepspak Atlantic		GB41639541 01	250	313
2 Kappe		GB41639523 01		
3 Mutter - servicepatron		GB41639522 01		
4 Servicepatron 35 mm		GB41637393	193	241
5 Servicepatron 35 mm, energispar		GB41639567 01		
6 Strålesamler/perlator M22x1		GB41630129 01	92	115
7 Strålesamler/perlator M22x1, 1,2 gpm		GB41639610 01		
8 Slagbegrensningsinnsats/utløpstut		GB41638450	100	125
9 O-ringsats		GB41637010 01	116	145
10 Avstegnings-oppvaskmaskin		GB41639547 01	185	231
11 Plugg benkeoppvaskmaskin komplett		GB41639525 01	549	686
12 SoftPex slang roterbar-ø10, 2014 05-		GB41638721 02	183	229
13 SoftPex slang, roterbar - G1/2 utv. med mutter		GB41638701 01	160	200
14 Monteringskit - kjøkkenkran		GB41639573 01	66	83
15 Utløpstut Atlantic		GB41639540 01	395	494



RESERVEDELER

Logic kjøkkenkran

DETALJENUMMER OG PRODUKT	NRF. NR.	ART. NR.	VEIL. PRIS EKS. MVA.	VEIL. PRIS INKL. MVA.
1 Ettgrepsspak Logic	4342766	GB41638514 01	265	331
2 Dekkplugg	4342661	GB41634828 01	114	143
3 Servicepatron med verktøy for Logic og Nautic	4343367	GB41637267 01	443	554
4 Kåpe	4342753	GB41637261 01	126	158
5 Utløpstut		GB41638509 01	885	1.106
6 Strålesamler, M18, 5 x 1-B m/verktøy	4342767	GB41638549 01	92	115
7 O-ringsett	4342659	GB41637010 01	116	145
8 Sperrestift for svingradius	4342716	GB41638450	100	125
9 Avstengningskran komplett f/kjøkkenbatteri	4343188	GB41635762 3301	185	231
10 SoftPex slange (M10x1-ø10)	4342633	GB41637161 02	185	231
11 SoftPex slange (M10x1-G1/2)	4342768	GB41638220 01	130	163
SoftPex slange (NY - mangler pris)(svivel)(2015-), kompositt innmatt		GB41638721 02	183	229
12 Monteringsdetaljer	4340713	GB41634157 01	66	83
13 Monteringsverktøy	4343341	GB43000014 10	178	223
Monteringsverktøysett	4343369	GB43000021 01	402	503
15 Dusjhåndtak		GB41638754 01	740	925





Nordic, Skandic, Artic, ND40 kjøkkenkraner

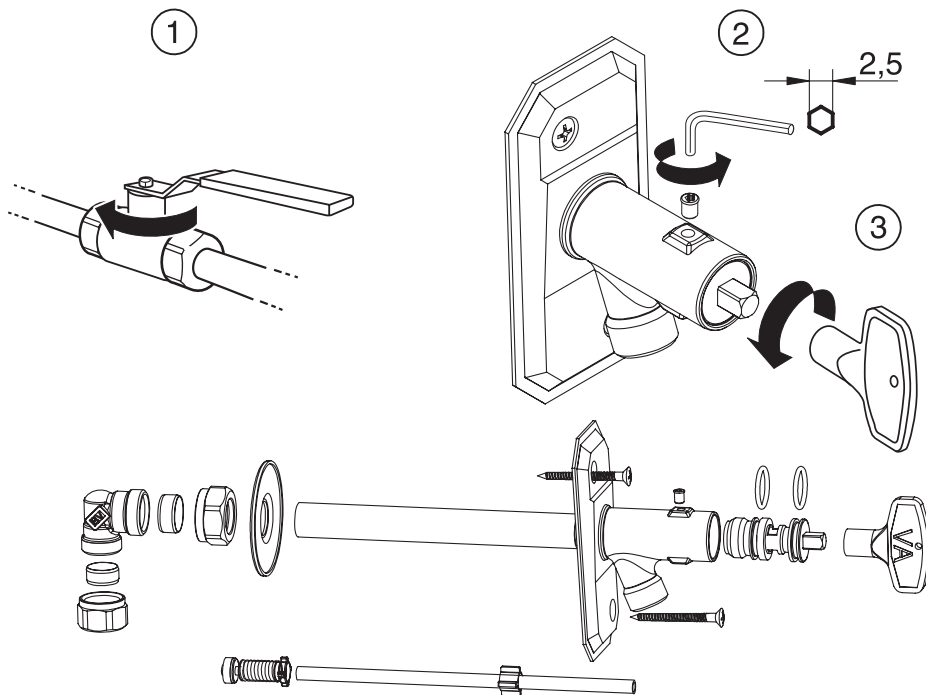
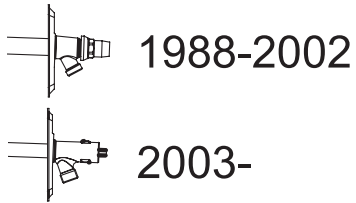
DETALJENUMMER OG PRODUKT	NRF. NR.	ART. NR.	VEIL. PRIS EKS. MVA.	VEIL. PRIS INKL. MVA.
1 Ettgrepsspak Nordic	4343347	GB41636617 01	185	231
2 Ettgrepsspak RH Nordic	4342991	GB41635430 01	360	450
3 Dekkplugg, rød/blå merking	4342661	GB41634828 01	114	143
4 Kåpe gjenget	4343166	GB41634470 01	126	158
5 Kåpe med O-ring	4343126	GB41636326 01	130	163
6 Festeskruer for servicepatron M5x40	4343216	GB41632731 02	52	65
7 Servicepatron inkl. topplokk 634955-01, Universal	4343196	GB41633877 01	527	659
8 Servicepatron Nordic TT-funksjon	4343059	GB41635678 8701	514	643
9 Spakfeste TP 6-19		GB41636319	52	65
10 Gummipakning for servicepatron, komplett	4343211	GB41633513 01	67	84
11 Utløpstut 240	4343353	GB41636246 01	1.190	1.488
12 Utløpstut 150	4342895	GB41633651	1.501	1.876
14 Utløpstut 200, ekstra høy svingbar tut f/benkebatteri	4342911	GB41634610	1.228	1.535
15 X-ringer	4343213	GB41633971 02	55	69
16 Slagbegrensningssats	4342754	GB41633972	52	65
18 Utløpstut 200 "ø22" 2007 04-	4342776	GB41637326 0	873	1.091
19 Slagbegrensningssats	4342716	GB41638450	100	125
20 Strålesamlere M24x1	4343241	GB41630131 01	92	115
21 Strålesamlere M22x1	4343242	GB41630129 01	92	115
22 Avstengningskran kompl.f/benkebatteri - før aug. 98 -1998	4343325	GB41634140 3301	124	155
23 Avstengningskran kompl.f/benkebatteri, krom 1998-	4343188	GB41635762 3301	185	231
24 Vridbar tilkbl.vinkel f/oppvaskmaskin på benk 1998 08-	4343189	GB41635790 01	549	686
25 O-ringsett f/utløpstut NordicPlus fra 2005	4342659	GB41637010 01	116	145
26 Distansering, o-ring samt glidring	4343218	GB41632952 01	60	75
27 SoftPex slange, 2 stk. L=400 mm, (M10x1-ø10)	4342633	GB41637161 02	185	231
28 SoftPex slange (M10x1-G1/2), lengde 440 mm	4342768	GB41638220 01	130	163
29 SoftPex slange (M8x1-ø10), lengde 400 mm	4342771	GB41638199 01	130	163
30 Kopling 10xG1/2, -201005	5080093	FG032033520	22	27
31 Kopling 10xG3/8, 201005-	5080086	FG032033420	17	22
32 Dusjslange G1/2xG1/2, -2010 05	4343804	GB41636263 00	102	128
33 Dusjslange G1/2xG3/8, 2010 05-	4342731	GB41638375 01	145	181
34 Selvstengende hånddusj	4343121	GB41633860 33	566	708
35 Selvstengende oppvaskbørste	4343209	GB41633861 25	662	828
36 Oppvaskbørste	4343177	GB41633858	266	333
38 Gjennomføringshylse krom (for slange med G1/2xG3/8 ansl) 2010 05-	4342732	GB41638374 01	183	229
39 Ettgrepsspak Pin Skandic 03	4346742	GB41636448 01	762	953
40 Ettgrepsspak Leg Skandic 03	4346741	GB41636447 01	762	953
41 Kåpe	4342669	GB41635680 01	357	446
42 Strålesamlere -2007 05	4342675	GB41636437 01	373	466
43 Strålesamlere 2007 05-	4342676	GB41637337 01	373	466
44 Utløpstut		GB41636441 01	829	1.036
45 Monteringsdetaljer	4340713	GB41634157 01	66	83
46 Monteringsdetaljer		GB41637011 01	66	83
47 Monteringsdetaljer	4343175	GB41636440 01	66	83
48 Monteringsverktøy 13/6kant.	4343341	GB43000014 10	178	223
Monteringsverktøysett	4343369	GB43000021 01	402	503
Hånddusj for Skandic Island	4342677	GB41637173	491	614

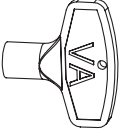
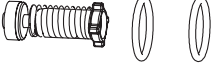
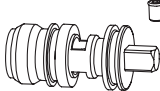
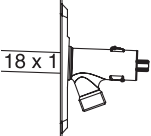

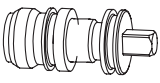
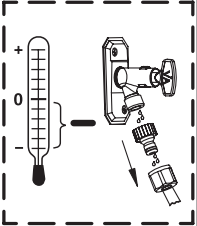
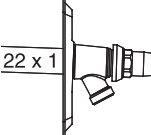
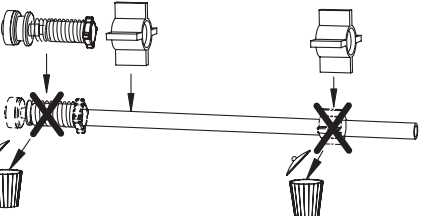
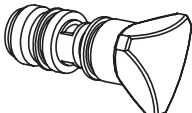




Oversikt ettgrepsspaker, dekkbrikker og servicepatroner

DETALJENUMMER OG PRODUKT	NRF. NR.	ART. NR.	VEIL. PRIS EKS. MVA.	VEIL. PRIS INKL. MVA.
1 Ettgrepsspak Logic	4342766	GB41638514 01	265	331
2 Ettgrepsspak Nautic	4343366	GB41637250	250	313
3 Ettgrepsspak HC Nautic	4342627	GB41637360 01	360	450
4 Ettgrepsspak HC Nautic (rød/blå merking)	4342735	GB41637363 01	373	466
5 Ettgrepsspak, servantbatteri Coloric	4342721	GB41637406	497	621
6 Ettgrepsspak Coloric kjøkken/dusj/badekar	4342722	GB41637407	444	555
7 Ettgrepsspak Nordic	4343347	GB41636617 01	185	231
8 Ettgrepsspak Leg Skandic 03	4342672	GB41636447 01	762	953
9 Ettgrepsspak Pin Skandic 03	4342673	GB41636448 01	762	953
11 Ettgrepsspak Pin mini Skandic 03	4342683	GB41636920 01	684	855
12 Ettgrepsspak ND40	4343127	GB41636337 01	207	259
15 Ettgrepsspak Arctic	4343142	GB41634621 01	236	295
17 Ettgrepsspak HC Nordic	4342991	GB41635430 01	360	450
19 UTGÅTT				
20 Dekkplugg for undermontert ettgrepsspak	4342661	GB41634828 01	114	143
21 Dekkplugg Nordic Plus	4343348	GB41635617 01	48	60
22 Topplokk (2 ben)	4343144	GB41634680 01	116	145
23 Topplokk (3 ben)		GB41634955 01	116	145
24 Topplokk Nordic oktober 1996-	4343154	GB41635410 01	58	73
25 Servicepatron m/verktøy f/Logic og Nautic	4343367	GB41637267 01	443	554
26 Servicepatron servant-/kjøkken Coloric	4342724	GB41637415	173	216
27 Servicepatron dusj/badekar Coloric	4342719	GB41637393	193	241
28 Servicepatron Nordic, 1982-	4343196	GB41633877 01	527	659
29 Servicepatron Nordic TT	4343059	GB41635678 8701	514	643
30 Servicepatron Nordic, m/ demper, April 1992-	4343161	GB41634650 01	464	580
32 Servicepatron komplett Nordic TT	4343051	GB41636395 01	723	904
33 Servicepatron Skandic 03 mini	4343358	GB41636654 01	566	708

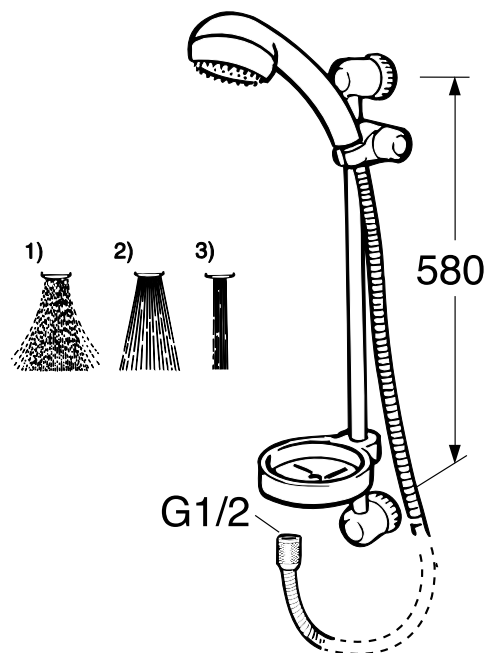
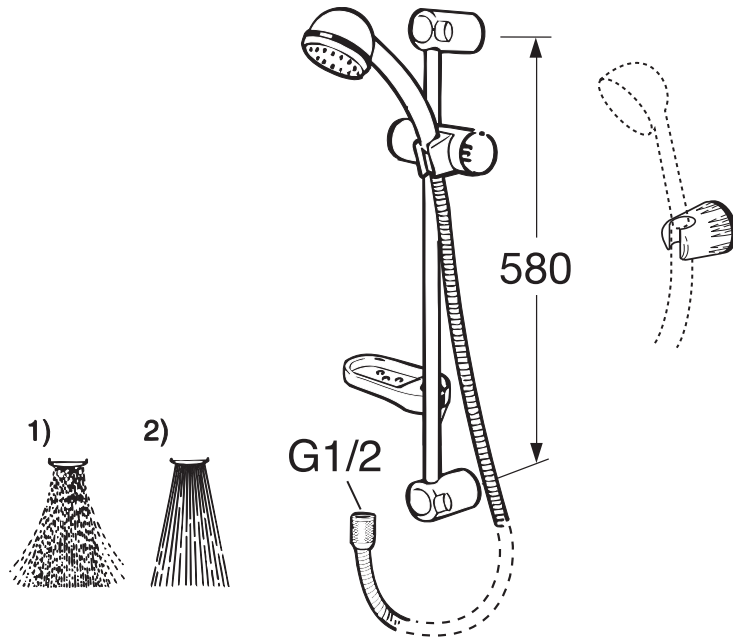


<p>FGO 64 05 60</p> 	<p>FGO 64 08 35</p> 	<p>FGO 64 08 36</p> 
<p>2003-</p>  <p>18 x 1</p>	<p>400mm: GB41 63 35 05 1000mm: GB41 63 35 06</p> 	<p>FGO 64 08 37</p>  
<p>1988 - 2003</p>  <p>22 x 1</p>		<p>FGO 64 08 41</p> 

RESERVEDELER

Utendørskran

DETALJENUMMER OG PRODUKT	NRF. NR.	ART. NR.	VEIL. PRIS EKS. MVA.	VEIL. PRIS INKL. MVA.
Nøkkel 8 mm, fra 1977	4342969	FG0640560	66	83
Komplett overdel (for nøkkel) u/dren.	4343273	FG0640548	145	181
Reservedelsssett komplett (etter 1986)	4343286	GB41633510 01	110	138
Spindelforl. 400 mm (etter 1986)	4343271	GB41633505 01	258	323
Spindelforl. 1000 mm (etter 1986)	4343272	GB41633506 01	418	523
Komplett overdel m/drenering f/101015	4343275	FG0640782	292	365
Tilbakeslagsventil Ø14 mm(f.o.m aug. 1996)	4343336	GB41634719 01	62	78
Fjærbelastet tilbakeslagsventil, type	4343084	FG0640835	51	64
Komplett overdel m/drenering f/nøkkel, NY	4343085	FG0640836	292	365
Komplett overdel u/drenering f/nøkkel, NY	4343086	FG0640837	145	181
Spindel med ratt 18 mm, krom	4342686	FG0640841	286	358



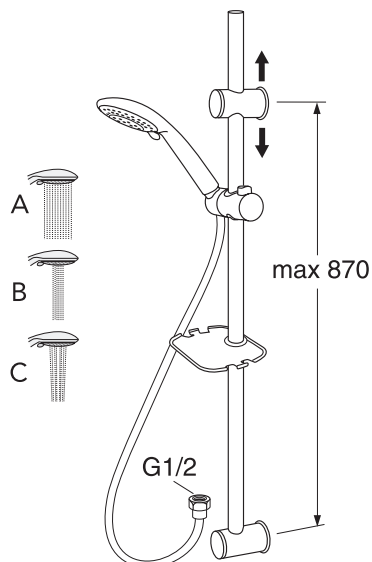
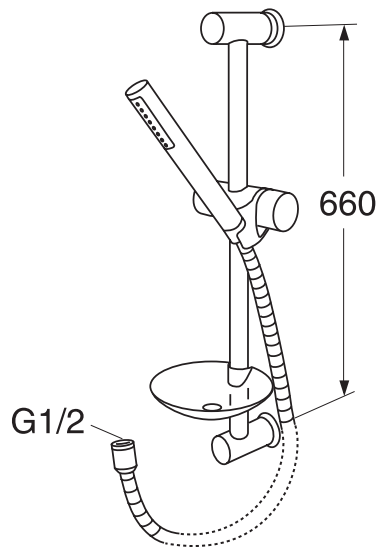
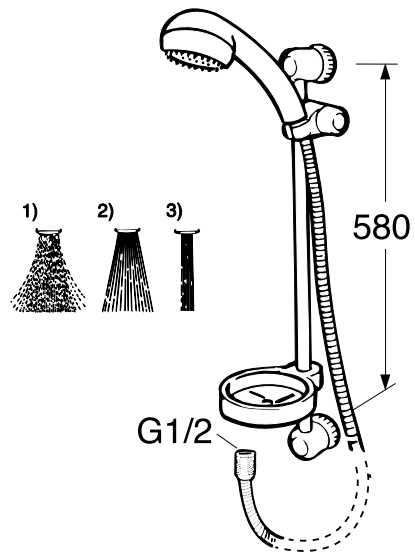


Nordic dusjsett

DETALJENUMMER OG PRODUKT	NRF. NR.	ART. NR.	VEIL. PRIS EKS. MVA.	VEIL. PRIS INKL. MVA.
Slange	4343811	GB41636266 00	145	181
Veggfeste, krom	4343801	GB41636254 00	150	188
Glider, krom	4343802	GB41636255 00	148	185
Hånddusj, krom	4343803	GB41636261 00	181	226
Hånddusjfeste vegg, krom	4340714	GB41637575	103	129
Såpekopp, transparent	43438 05	GB41636264 44	92	115

NordicPlus dusjgarnityr

DETALJENUMMER OG PRODUKT	NRF. NR.	ART. NR.	VEIL. PRIS EKS. MVA.	VEIL. PRIS INKL. MVA.
NordicPlus dusjgarnityr	4343807	GB41636256 00	179	224
Glider, krom	4343808	GB41636257 00	230	288
Hånddusj, krom	4343809	GB41636265 00	270	338
Slange 1,75 m, krom	4343811	GB41636266 00	145	181
Dusjomkaster f/dusjsett i off. miljø	4342734	GB41637320	659	824





Atlantic dusjgarnityr

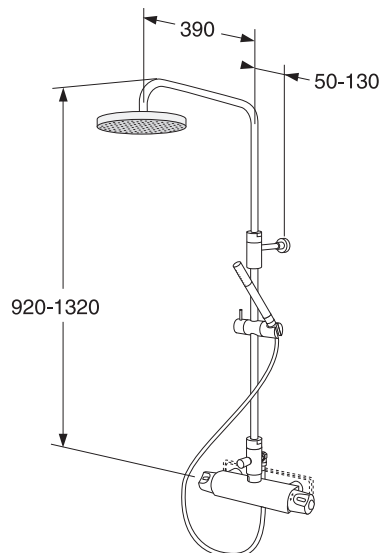
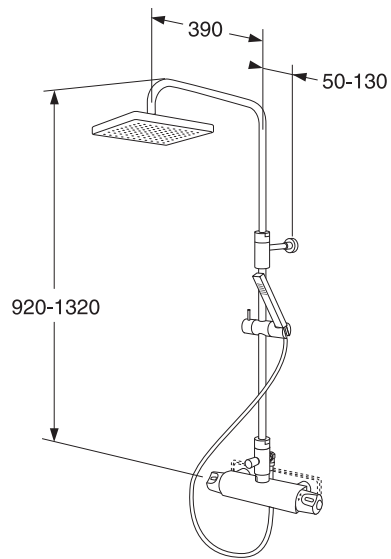
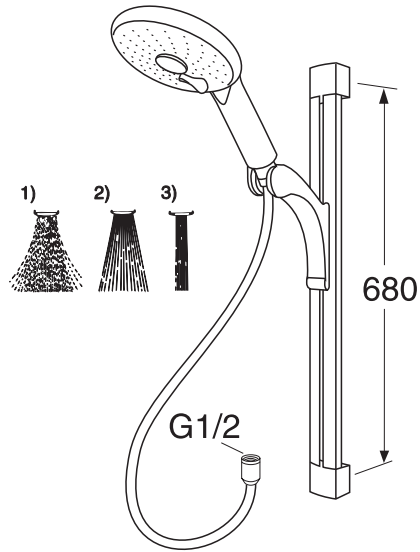
DETALJENUMMER OG PRODUKT	NRF. NR.	ART. NR.	VEIL. PRIS EKS. MVA.	VEIL. PRIS INKL. MVA.
Slange	4343811	GB41636266 00	145	181
Veggfeste	4342759	GB41638727 02	181	226
Såpekopp	4342761	GB41638728 01	174	218

Skandic 03 dusjgarnityr

DETALJENUMMER OG PRODUKT	NRF. NR.	ART. NR.	VEIL. PRIS EKS. MVA.	VEIL. PRIS INKL. MVA.
Hånddusj, krom	4342687	GB41636596 00	496	620
Såpekopp, transparent	4342688	GB41636597 44	123	154
Veggfeste, krom (2 stk)	4342689	GB41636598 00	1.015	1.269
Glider, krom	4342691	GB41636599 00	1.233	1.541

Dusjsett 1

DETALJENUMMER OG PRODUKT	NRF. NR.	ART. NR.	VEIL. PRIS EKS. MVA.	VEIL. PRIS INKL. MVA.
Hånddusj	4342757	GB41638725 01	270	338
Dusjslange	4343811	GB41636266 00	145	181
Veggfeste	4342759	GB41638727 02	181	226
Såpekopp	4342761	GB41638728 01	174	218
Glider	4342756	GB41638726 01	166	208



**Coloric dusjsett**

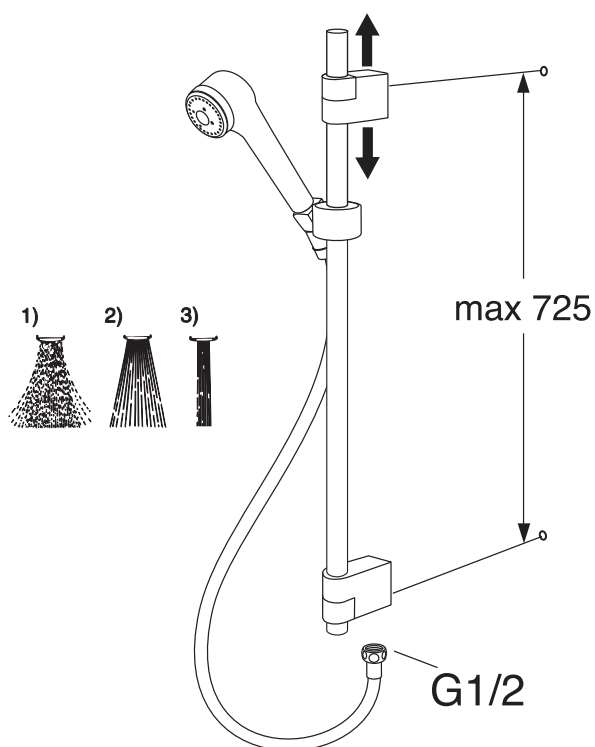
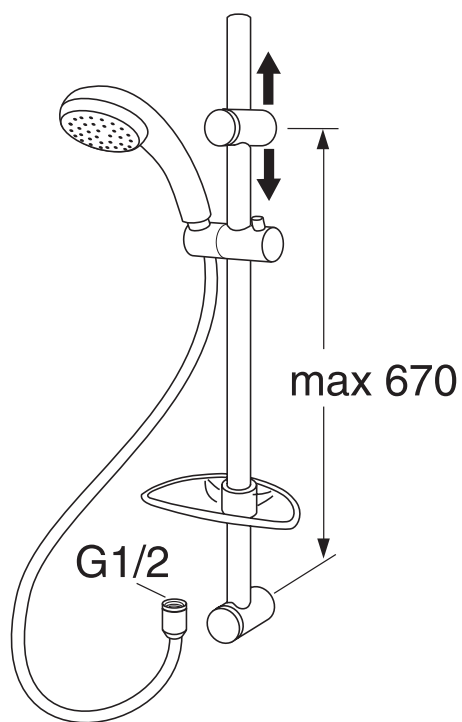
DETALJENUMMER OG PRODUKT	NRF. NR.	ART. NR.	VEIL. PRIS EKS. MVA.	VEIL. PRIS INKL. MVA.
Dusjslange	4343811	GB41636266 00	145	181
Hånddusj	4342762	GB41637562	527	659

G1 dusjsett

DETALJENUMMER OG PRODUKT	NRF. NR.	ART. NR.	VEIL. PRIS EKS. MVA.	VEIL. PRIS INKL. MVA.
Hånddusj G1	4342936	GB41638467	342	428
Slange G1/G2	4343811	GB41636266 00	145	181
Kit for sidemontering	4342933	GB41638464	368	460
Veggstag G1/G2	4342935	GB41638466	183	229
Omkaster	4342934	GB41638465	334	418
Glider G1/G2	4342941	GB41638472	150	188
Takdusch Square		GB41639443	847	1.059
Vinkel G1/G2		GB41637319	549	686
Pakninger G1/G2		GB41638589	51	64

G2 dusjsett

DETALJENUMMER OG PRODUKT	NRF. NR.	ART. NR.	VEIL. PRIS EKS. MVA.	VEIL. PRIS INKL. MVA.
Hånddusj G2	4342937	GB41638468	342	428
Slange G1/G2	4343811	GB41636266 00	145	181
Kit for sidemontering	4342933	GB41638464	368	460
Veggstag G1/G2	4342935	GB41638466	183	229
Omkaster	4342934	GB41638465	334	418
Glider G1/G2	4342941	GB41638472	150	188
Takdusch Round		GB41639440	847	1.059
Vinkel G1/G2		GB41637319	549	686



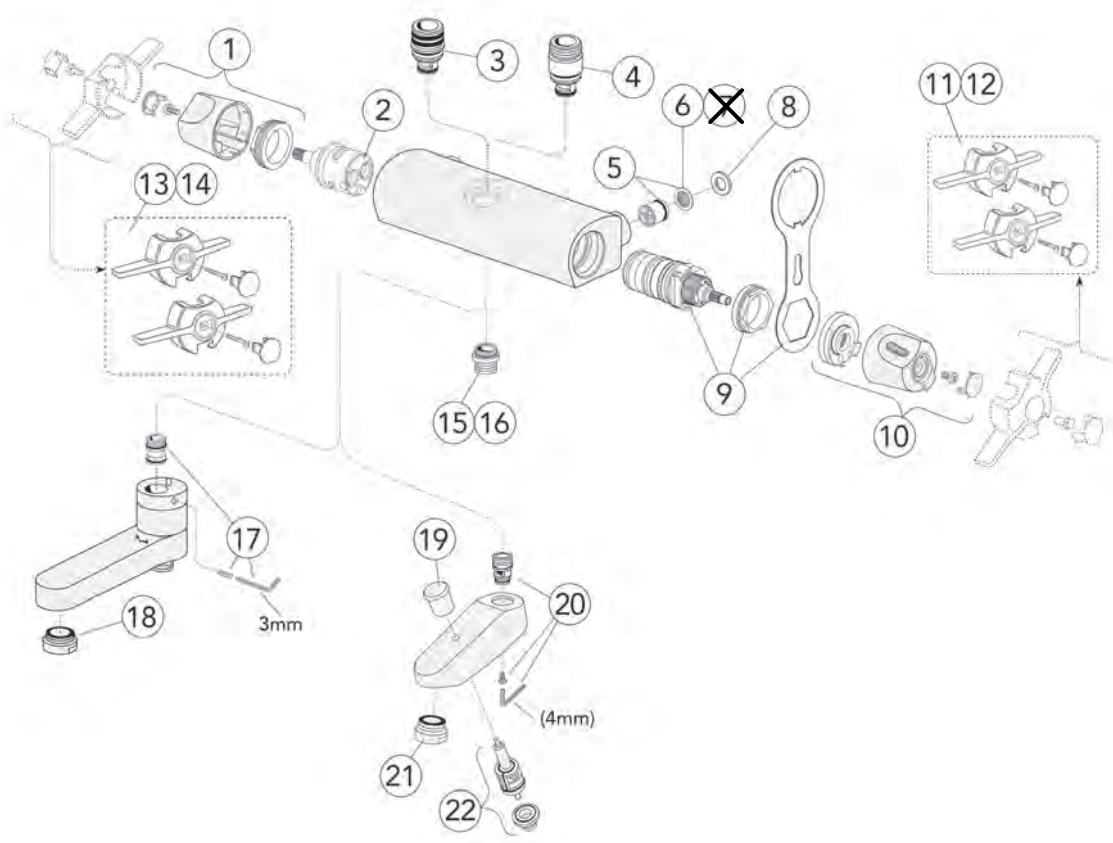
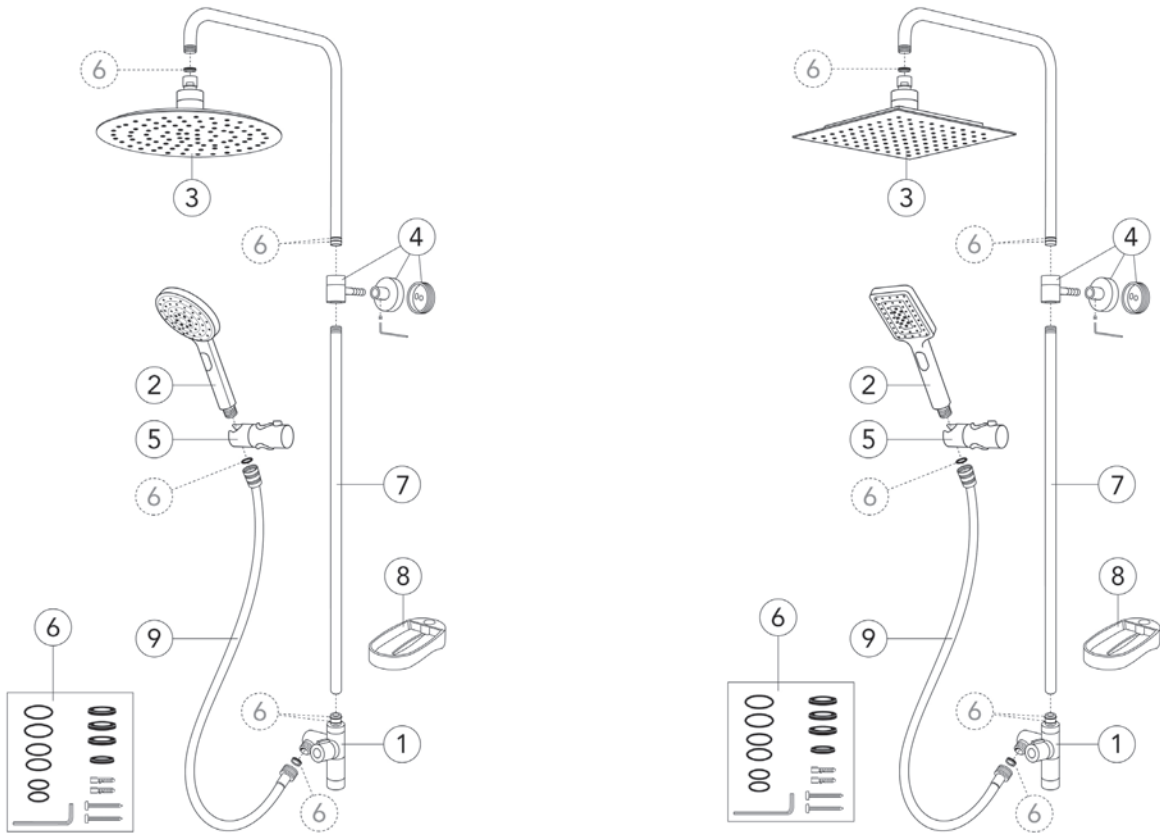


Nautic I dusjsett

DETALJENUMMER OG PRODUKT	NRF. NR.	ART. NR.	VEIL. PRIS EKS. MVA.	VEIL. PRIS INKL. MVA.
Hånddusj	4342757	GB41638725 01	270	338
Stang/glider/feste/såpekopp	4342706	GB41637577	534	668
Glider	4342944	GB41637584 01	277	346

Nautic II dusjsett

DETALJENUMMER OG PRODUKT	NRF. NR.	ART. NR.	VEIL. PRIS EKS. MVA.	VEIL. PRIS INKL. MVA.
Dusjslange	4342764	GB41637564	270	338
Hånddusj		GB41637561	534	668





Round dusjsett

DETALJENUMMER OG PRODUKT	NRF. NR.	ART. NR.	VEIL. PRIS EKS. MVA.	VEIL. PRIS INKL. MVA.
1 Omkaster		GB41639439	195	244
2 Hånddusj Round		GB41639440	342	428
3 Takdusj Round		GB41639442	847	1.059
4 Veggstang		GB41639444	188	235
5 Glider		GB41639445	227	284
6 Pakkningssats		GB41639446	77	96
7 Dusjstang forlenger 106cm		GB41639512	267	334
8 Såpekopp		GB41639513	91	114
9 Dusjslange	4343811	GB41636266 00	145	181
Vannstrømsparer G1/2" (12 l/min)		GB41639485	50	63

Square dusjsett

DETALJENUMMER OG PRODUKT	NRF. NR.	ART. NR.	VEIL. PRIS EKS. MVA.	VEIL. PRIS INKL. MVA.
1 Omkaster		GB41639439	195	244
2 Hånddusj Square		GB41639441	342	428
3 Takdusj Square		GB41639443	847	1.059
4 Veggfeste		GB41639444	188	235
5 Glider		GB41639445	227	284
6 Pakkningssats		GB41639446	77	96
7 Dusjstang forlenger 106cm		GB41639512	267	334
8 Såpekopp		GB41639513	91	114
9 Dusjslange	4343811	GB41636266 00	145	181
Vannstrømsparer G1/2" (12 l/min)		GB41639485	50	63

Termostat for Round og Square

DETALJENUMMER OG PRODUKT	NRF. NR.	ART. NR.	VEIL. PRIS EKS. MVA.	VEIL. PRIS INKL. MVA.
1 Ratt for mengdeside		GB41639456 01	114	143
2 Vender/Ventil overstyrke		GB41639500 01	2.186	2.733
3 Utløpsnippel for Square / Round dusjsett		GB41639453 01	74	93
4 Utløpsnippel 1/2"		GB41639457 01	93	116
5 Tilbakeslagsventil med filter	4343096	GB41632698 02	145	181
6 Filter for tilbakeslagsventil	4343065	GB41635633 02	48	60
8 Pakning ø24,2-15,3x3 for anslutning 150 cc		GB41635641	21	26
9 Termostatinsats (CA77N)	4342726	GB41638334 01	405	506
10 Ratt for temperatursiden (CA77N)	4341957	GB41638336 01	51	64
11 HC-spak for mengde/temperatursiden, grå	4342637	GB41637840 02	184	230
12 HC-spak for mengde/temperatursiden, rød		GB41637845 02	57	71
15 Anslutningsnippel G1/2-M20x1,5	4341962	GB41634757 01	134	168
16 Anslutningsnippel med tilbakeslagsventil G1/2-M20x1,5	4343363	GB41634756 01	134	168
17 Anslutningsnippel for omkastere/utløpstut	4343362	GB41636359 01	51	64
18 Strålsamlere M24x1 D	4342717	GB41637387 01	316	395
19 Trekk knappen for draomkaster		GB41636822 01	44	55
20 Anslutningsnippel for utløpstut	4343368	GB41637347	134	168
21 Strålsamlere M28x1, krom	4343123	GB41634555 01	316	395
22 Draomkastere	4341963	GB41636577 01	248	310
23 Dusjtermostat for Nautic		GB41215302	2.333	2.916
24 Dusjtermostat for Nordic3		GB41215603	2.333	2.916
25 Dusjtermostat for Estetic		GB41218302	2.675	3.344



RETNINGSLINJER FOR KUNDEREKLAMASJONER VILLEROY & BOCH NORGE AS

Av det nedenstående vil det fremgå hvilke retningslinjer som skal følges ved ulike reklamasjoner. Vi ber Dem spesielt påse at ingen varer returneres til Villeroy & Boch Norge AS før selskapet har avgitt sin uttalelse. På denne måten vil reklamasjonen få hurtigere og smidigere behandling.

A. Feil eller uoverensstemmelser som er oppstått i forbindelse med fakturering eller ekspedert kvantum.

Definisjon:

Kjøperen har mottatt riktig type varer, men feil er oppstått i faktureringen (f.eks. pris, avgift, utregning etc.) eller det mottatte kvantum stemmer ikke med pakkseddel/faktura.

Behandling:

Kjøperen må underrette Villeroy & Boch Norge AS om feilen. Villeroy & Boch Norge AS vil så raskt som mulig, foreta de nødvendige korrigeringer av fakturaen/levert kvantum. Kontakt Villeroy & Boch Norge AS ordrekontor.

B. Mottagelse av feil type vare.

Definisjon:

Det foreligger ikke noe kvalitetsproblem, men feil type varer er mottatt av kjøperen.

Alternativ kan være at:

1. Ordrebekreftelse ikke er kontrollert mot bestilling og avvik/feil har oppstått.
2. Kjøperen har bestilt feil vare
3. Villeroy & Boch Norge AS har levert feil type vare.

Behandling:

1. Dersom ordrebekreftelse ikke er kontrollert mot bestilling:
Ordrebekreftelse fra Villeroy & Boch Norge AS må umiddelbart kontrolleres mot bestilling slik at evt. avvik/feil kan bli korrigert. Hvis så ikke blir gjort og feil oppstår, må dette anses som feilbestilt og det vil bli fratrukket 40% i evt. returomkostninger.
2. Dersom Kjøperen har bestilt feil type varer:
 - a) Returanmodning må innkomme til Villeroy & Boch Norge AS innen 20 dager etter mottagelsen av varene.
 - b) Retur godkjennes kun for standard lagervare som normalt føres av Villeroy & Boch Norge AS. Kun komplette varer kan godkjennes. En vare som er spesialtilvirket for en kjøper eller som av andre grunner ikke kan betraktes som standard lagervare, godkjennes normalt ikke for retur. Kvalitetsreklamasjoner er unntatt fra denne regel.



RETNINGSLINJER FOR KUNDEREKLAMASJONER VILLEROY & BOCH NORGE AS

- c) Varene må være innpakket i originalemballasjen og være tilgjengelig for eventuell inspeksjon. Bare fullt salgbare varer godkjennes for retur.
 - d) Hvis varene godkjennes for retur, må kjøperen returnere varene innen 10 dager etter at han har mottatt godkjennelse på retur.
 - e) Retur av varer kan kun finne sted når godkjennelse fra Villeroy & Boch Norge AS foreligger. Returomkostninger fratrekkes med 40% i kreditnota. Fraktomkostninger belastes kjøper.
3. Villeroy & Boch Norge AS har levert feil type varer:
- a) Kjøperen må sende meddelelse om feilen innen 15 dager etter mottagelsen av varene.
 - b) Varene må være pakket i original emballasje, og være i salgbar stand.
 - c) Vi ber om at retur av varen ikke skjer før svar fra Villeroy & Boch Norge AS foreligger. Kontakt Villeroy & Boch Norge AS' ordrekontor.

NB! Returpapirer skal alltid inneholde riktig NRF-nr./art.nr., kundens bestillingsnummer, kundens og Villeroy & Boch Norge AS' returnr. samt årsak til retur. Dette er viktig.

Hvis returpapirer mangler noen av disse opplysningene, blir varen returnert til kundens adresse på dennes transportregning uten forvarsel.

C. Mottagelse av beskadigede varer.

Definisjon:

Ved mottagelse av varene oppdager kjøperen at disse er beskadiget.

1. NB! Når det gjelder transportskade forårsaket av vår transportør, skal fraktbrev med under skrift av sjåfør på bil der varen ble skadet alltid følge med som vedlegg til krav om erstatning eller kreditt, samt kundens bestillingsnummer.
2. Meddelelse om skaden blir sendt straks etter mottagelse av varene. Reklamasjoner som blir inngitt mer enn 15 dager etter levering, kan under ingen omstendigheter aksepteres.
3. Beskadigede varer inklusive emballasje må være tilgjengelig for destruksjon av representant fra Villeroy & Boch Norge AS.
4. Varene kan ikke returneres eller kasseres før godkjennelse er innhentet fra Villeroy & Boch Norge AS.



RETNINGSLINJER FOR KUNDEREKLAMASJONER VILLEROY & BOCH NORGE AS

D. Kvalitetsreklamasjoner.

Definisjon:

Kjøperen meddeler Villeroy & Boch Norge AS at han har kvalitetsproblemer med et produkt.

Behandling:

Kjøperen må umiddelbart underrette Villeroy & Boch Norge AS om kvalitetsproblemene.

Reklamasjonen må i alle tilfelle tydelig spesifisere mangelens art og omfang. Det må også oppgis for hvilket formål produktet er anskaffet. En prøve på produktet som er gjenstand for klage - skal om mulig medfølge den skriftlige reklamasjonen. Kjøperen må heller ikke i dette tilfellet returnere eller kassere varer før Villeroy & Boch Norge AS har gitt instruks om dette. Når en teknisk analyse av det defekte produktet er nødvendig, må denne utføres av en kvalifisert person. I enkelte tilfelle vil dette si at produktet må oversendes Villeroy & Boch Norge AS. NB! Gustavsberg (Vårgårda) og Dornbracht-armaturprodukter skal alltid returneres Villeroy & Boch Norge AS.

Villeroy & Boch Norge AS vil bestrebe seg på å behandle reklamasjoner så raskt som mulig. Hvis reklamasjonen godkjennes, vil Villeroy & Boch Norge AS kreditere kjøperen for det returnerte kvantum til opprinnelig verdi. Vi ber Dem spesielt legge merke til at Villeroy & Boch Norge AS kun forplikter seg til å erstatte det kvantum som har vist seg beheftet med feil. Villeroy & Boch Norge AS er ikke ansvarlig for noen som helst beskadigelse, tap eller skade, direkte eller indirekte, som følge av feil bruk av produktet.

NB!

Ved reklamasjon som skyldes produktfeil og mangler påført av Villeroy & Boch Norge AS, vennligst ta kontakt med serviceansvarlig hos Villeroy & Boch Norge AS, pr. telefon 67 97 82 50 eller 67 97 82 55 (direkte), pr. e-post dagfinn.braathen@gustavsberg.com eller pr. telefaks 67 97 16 57, eller distriktsrepresentant.

Faktura for utført reklamasjonsarbeid/produktreklamasjon på et Gustavsberg/Villeroy & Boch-produkt skal være merket med et nummer oppgitt av serviceansvarlig hos Villeroy & Boch Norge AS, samt kundens returnnummer.

NB!

Arbeid som skal gjøres ved reklamasjon må alltid godkjennes av serviceansvarlig i Villeroy & Boch Norge AS, Dagfinn Bråthen tlf.: 67 97 82 55/419 26 549.

E-post: dagfinn.braathen@gustavsberg.com. Eller distrikstansvarlig.

Det utarbeides en CRM på arbeidet som sendes til den som utfører arbeidet.

Kopi av CRM legges ved arbeids











A MEMBER OF THE
VILLEROY & BOCH GROUP

Villeroy & Boch Norge A/S
Luhrtoppen 2, 1470 Lørenskog
Tlf. 67 97 82 50 · Faks 67 97 16 57
www.gustavsberg.no · info.norway@gustavsberg.com