



# PRISLISTE GUSTAVSBERG 2017



SANITÆRPORSELEN, TILBEHØR, BADEROMSMØBLER, BADEKAR, DUSJ,  
BLANDEBATTERIER OG RESERVEDELER. VEILEDENDE PRISER

<b>Indeks</b> .....	2
<b>Sanitærporselen</b> .....	13
Gulvklosetter .....	13
Veggmonterte klosetter .....	16
Veggskåler .....	17
Klosettseter .....	18
Care Basic .....	20
Triomont innbyggingssystemer og trykkplater for veggmonterte klosetter .....	21
Bidéer .....	22
Urinaler og Nordic <sup>3</sup> servanter .....	23
Nautic servanter .....	24
Nautic servanter og søyler .....	25
Estetic servanter og søyler .....	26
Artic servanter og søyler .....	27
Logic servanter og søyler .....	28
Logic møbelservanter og Kompletterende servanter .....	30
Sykehus/HC-servanter .....	32
Vannlåser og tilbehør servant .....	34
<b>Tilbehør</b> .....	35
<b>Baderomsmøbler</b> .....	37
Nordic <sup>3</sup> baderomsmøbler og Nautic baderomsmøbler .....	37
Graphic baderomsmøbler .....	38
Artic baderomsmøbler .....	41
Håndtak og Knotter til Artic og Graphic .....	44
Utgående produkter .....	45
<b>Badekar</b> .....	57
Badekar i emaljert stålplate med hel- eller halvfrontstativ .....	57
Frittstående badekar .....	61
Innbyggingsbadekar i emaljert stålplate .....	63
Tilvalg: Skandic blandebatteri montert på badekarkanten .....	65
<b>Dusjvegger</b> .....	67
Slagdører .....	69
Dusjkabinetter med og uten blandebatteri .....	70
Badekarvegger .....	71
<b>Blandebatterier</b> .....	73
Nordic <sup>3</sup> servantkraner og Nautic servantkraner .....	73
Logic servantkraner og Coloric servantkraner .....	75
Estetic servantkraner .....	76
Berøringsfrie servantkraner og Nautic bidé kran .....	77
Nordic <sup>3</sup> dusjtermostat og Nautic dusjtermostat .....	78
Logic dusjtermostat og Estetic dusjtermostat .....	79
Coloric dusjtermostat og Nautic, Logic og Coloric termostat badebatteri .....	80
Estetic og Coloric ettgreps dusjbatterier og Skandic blandebatteri montert på badekarkanten .....	81
Hånddusj med veggfeste og Nautic ettgrepsbatterier for veggmontering .....	82
Nautic ettgreps badebatterier og Logic ettgrepsbatterier for veggmontering .....	83
Utløpstuter   Bunnventiler   Anslutningskoplinger   Eksenterkoplinger   Veggfester .....	84
Dusjsett .....	85
Faste dusjsett .....	86
Nordic <sup>3</sup> kjøkkenkran og Nautic Kjøkkenkraner .....	87
Logic kjøkkenkran .....	89
Coloric kjøkkenkran og Utekran .....	90
<b>Reservedeler</b> .....	91
Reservedeler sanitærporselen .....	92
Reservedeler møbler og øvrige .....	120
Reservedeler badekar og dusj .....	122
Reservedeler armatur .....	146

Alle priser er veiledende. Vi tar forbehold om endringer og eventuelle trykkfeil.



NRF. NR.	ART. NR.	SIDE	NRF. NR.	ART. NR.	SIDE	NRF. NR.	ART. NR.	SIDE		
4143984	GB41218324	41	79	4341936	GB41215333	80	4342743	GB41638520	23	75, 89, 90
4340302	GB41214045	74	74	4341937	GB41215352	77	4342744	GB41638520	36	75, 89, 90
4340303	GB41219151	23	76	4341939	GB41215387	78	4342745	GB41638520	38	75, 89, 90
4340305	GB41219151	46	76	4341941	GB41215604	78	4342746	GB41638528	25	79, 80
4340311	GB41219151	49	76	4341942	GB41215624	78	4342747	GB41638528	23	79, 80
4340323	GB41214934	83	83	4341948	GB41214904	79	4342748	GB41638528	36	79, 80
4340324	GB41214043	73	73	4341949	GB41214924	79	4342749	GB41638528	38	79, 80
4340325	GB41214081	77	77	4341952	GB41632814	02	4342751	GB41637282	01	163, 167
4340328	GB41218051	76	76	4341957	GB41638336	01	4342752	GB41638202		163, 179
4340329	GB41218051	23	76	4341958	GB41632815		4342753	GB41637261	01	151, 155, 161, 163, 165, 175, 179, 181
4340342	GB41218051	41	76	4341959	GB41638339	01				147, 149, 151, 157, 159
4340349	GB41218251	76	76	4341962	GB41634757	01	4342754	GB41633972		147, 149, 151, 155, 163, 175, 179, 183
4340352	GB41218251	23	76	4341963	GB41636577	01				147, 149, 151, 155, 157, 159
4340353	GB41218251	41	76				4342755	GB41633952	01	147, 149, 151, 155, 157, 159
4340356	GB41214951	75	75	4341975	GB41218304					191
4340357	GB41214961	75	75	4341976	GB41218304	23	4342757	GB41638725	01	191
4340358	GB41214991	75	75	4341977	GB41218304	41	4342759	GB41638727	02	191
4340359	GB41214981	77	77	4341982	GB41218324		4342761	GB41638728	01	191
4340365	GB41219051	23	75	4341983	GB41218324	23	4342762	GB41637562		193
4340366	GB41219051	46	75	4342125	GB41637173		4342763	GB41637560		195
4340369	GB41219051	49	75	4342624	GB41630184		4342764	GB41637564		195
4340381	GB41214041	73	73	4342625	GB41633616		4342765	GB41637571		195
4340383	GB41214141	74	74				4342766	GB41638514	01	151, 165, 181, 185
4340384	GB41214047	73	73	4342626	GB41633624		4342767	GB41638549	01	165, 175, 181
4340386	GB41214047	64	73				4342768	GB41638220	01	163, 165, 175, 179, 181, 183
4340387	GB41214147	74	74	4342627	GB41637360	01				161, 163, 165, 173
4340388	GB41214085	74	74	4342628	GB41104053	00				163, 165, 179, 183
4340389	GB41213051	73	73	4342632	GB41636424	01				161, 165, 167, 169, 173
4340391	GB41213043	73	73	4342633	GB41637161	02				167, 169
4340392	GB41213061	73	73				4342773	GB41638560	01	167, 169
4340393	GB41213081	77	77	4342634	GB41637315		4342775	GB41636629	01	167, 169
4340501	GB41214071	77	77	4342635	GB41637804	01				179, 183
4340502	GB41214145	74	74	4342636	GB41637810	01				153
4340503	GB41214185	74	74	4342637	GB41637840	02				78
4340677	GB41205361	89	89	4342638	GB41637450		4342781	GB41638760		153
4340692	GB41204956	89	89	4342639	FG079805705		4342782	GB41638283	01	153
4340693	GB41204996	89	89	4342641	GB41635944	01				153
4340695	GB41203056	87	87	4342643	GB41637164	02				151
4340696	GB41203096	87	87	4342651	GB41637453		4342786	GB41638525	01	151
4340713	GB41634157	163, 175, 179, 181, 183		4342653	GB41637445		4342787	GB41638545	01	151
4340714	GB41637575	82, 161, 163, 165, 173, 177, 189		4342655	GB41103305		4342788	GB41638542	01	151
				4342656	GB41633748		4342794	GB41215625		86
				4342659	GB41637010		4342795	GB41215620		86
				4342661	GB41634828	01	4342798	GB41638860		79
							4342799	GB41638860	23	79
							4342801	GB41638860	41	79
							4342811	GB41630151		84, 159
							4342815	GB41630191		84, 159
							4342819	GB41630194		84, 159
							4342868	GB41633614		84, 89, 147, 149, 151, 155, 157, 159
										83, 84, 147, 149, 151, 155, 157, 159
							4342877	GB41633632		151, 155, 157, 159
										84, 147, 149, 151, 155, 157, 159
							4342878	GB41633633		151, 155, 157, 159
										83, 84, 147, 149, 151, 155, 157, 159
							4342879	GB41633631		149, 151, 155, 157, 159
										183
							4342895	GB41633651		85
							4342896	GB41103250		80, 83, 84
							4342896	GB41636598	00	191
							4342905	GB41636820		191
							4342911	GB41634610		157
							4342917	GB41635270		84
							4342926	GB41637418		177
							4342931	GB41103225		86
							4342932	GB41103220		86
							4342933	GB41638464		86, 193
							4342934	GB41638465		193
							4342935	GB41638466		193
							4342936	GB41638467		193
							4342937	GB41638468		193
							4342938	GB41638469		193
							4342939	GB41638470		193
							4342941	GB41638472		193
							4342942	GB41638473		84
							4342944	GB41637584	01	195
							4342954	FG0105060		90
							4342955	FG0105070		90
							4342956	FG0105061		90
							4342969	FG0640560		187
							4342975	GB41630197		84, 159
							4342977	GB41630196		84, 159
							4342981	GB41630770		84
							4342991	GB41635430	01	159, 173, 183, 185
							4342994	GB41103017	23	85
							4343014	GB41634628	6101	185
							4343015	GB41634628	6201	185
							4343051	GB41636395	01	185
							4343054	GB41636575	01	73, 74, 75, 76, 77, 84, 163
							4343055	GB41630305		84, 163



NRF. NR.	ART. NR.	SIDE	NRF. NR.	ART. NR.	SIDE	NRF. NR.	ART. NR.	SIDE
4343059	GB41635678 8701	159, 173, 183, 185	4346742	GB41636448 01	173, 183	6020215	55509MR1	24
4343061	GB41636479 01	157	50800093	FG032033520	165	6020216	55569901	24
4343062	GB41636480 01	157	5080015	FG0640857	90	6020217	555699R1	24
4343065	GB41635633 02	147, 149, 151, 153, 157	5080086	FG032033420	179, 183	6020218	55569701	24
4343068	GB41634119	173	5080093	FG032033520	163, 179, 183	6020219	555697R1	24
4343071	FG0115080	84	5080123	FG032033520	177	6020221	55569801	24
4343076	FG0115050	84	6020007	GB1561479801	31	6020222	555698R1	24
4343084	FG0640835	187	6020008	GB1571279901	31	6020223	55569M01	24
4343085	FG0640836	187	6020016	7G285301	31	6020224	55569MR1	24
4343086	FG0640837	187	6020017	7G286001	31	6020225	55609901	24
4343088	FG0105062	90	6020019	GB1074010112	33	6020226	556099R1	24
4343096	GB41632698 02	147, 149, 151, 153, 157	6020021	GB157119600113	33	6020227	55609701	24
4343101	FG0115060	84	6020025	GB157119610105	33	6020228	556097R1	24
4343102	FG0115061	84	6020027	GB1573279801	32	6020229	55609801	24
4343103	FG0115062	84	6020028	GB157119990110	33	6020231	556098R1	24
4343104	FP636142	84	6020043	GB1074010102	33	6020232	55609M01	24
4343115	GB41631765 02	84	6020044	GB1074010101	33	6020233	55609MR1	24
4343118	GB41634525	84	6020054	GB114450R101	27	6020234	55659901	24
4343121	GB41633860 33	161, 163, 165, 173, 177, 179, 183	6020055	GB114550R101	27	6020235	556599R1	24
4343123	GB41634555 01147,	149, 151, 155, 157, 159	6020056	GB114600R101	27	6020236	55659701	24
4343124	GB41634799 0001	157, 159	6020057	GB114650R101	27	6020237	556597R1	24
4343125	GB41634834	183	6020058	GB114551R101	27, 48	6020238	55659801	24
4343126	GB41636326 01	159, 173, 183	6020059	GB114601R101	27	6020239	556598R1	24
4343127	GB41636337 01	173, 185	6020064	GB1059020101	30	6020241	55659M01	24
4343141	GB41102817	89	6020069	GB1059056101	30	6020242	55659MR1	24
4343142	GB41634621 01	185	6020084	GB41103880 23W	34	6020243	55709901	25
4343144	GB41634680 01	185	6020085	GB41103880 41W	34	6020244	557099R1	25
4343154	GB41635410 01	185	6020086	GB41103880 23L	34	6020245	55709801	25
4343161	GB41634650 01	185	6020087	GB41103880 41L	34	6020246	557098R1	25
4343166	GB41634470 01	159, 173, 183	6020088	GB1086020161	31	6020247	55709M01	25
4343175	GB41636440 01	183	6020089	GB1086030161	31	6020248	55709MR1	25
4343177	GB41633858	179, 183	6020092	GB157119630110	33	6020249	55459901	25
4343188	GB41635762 3301	163, 165, 175, 179, 181, 183	6020111	GB1145500101	27	6020251	554599R1	25
4343189	GB41635790 01	84, 87, 88, 163, 179, 183	6020112	GB1145510101	27, 48	6020252	55459801	25
4343196	GB41633877 01	159, 173, 183, 185	6020113	GB1144500101	27	6020253	554598R1	25
4343209	GB41633861 25	179, 183	6020114	GB1146500101	27	6020254	55559901	25
4343211	GB41633513 01	159, 173, 183	6020115	GB1146000101	27	6020255	555599R1	25
4343213	GB41633971 02	163, 175, 177, 179, 183	6020117	GB1146010101	27	6020256	55559801	25
4343216	GB41632731 02	159, 183	6020121	51939901	29	6020257	555598R1	25
4343217	GB41636302 02	173	6020122	519399R1	29	6020258	55629901	25, 45
4343218	GB41632952	179, 183	6020123	51949901	29	6020259	556299R1	25
4343241	GB41630131 01	147, 149, 151, 155, 157, 159, 163, 171, 173, 177, 179, 183	6020124	519499R1	29	6020261	55629801	25, 45
4343242	GB41630129 01	155, 159, 179, 183	6020125	51979R01	28	6020262	556298R1	25
4343271	GB41633505 01	187	6020126	51979RR1	28	6020265	55929901	25, 45
4343272	GB41633506 01	187	6020127	51979L01	28	6020266	559299R1	25, 45
4343273	FG0640548	187	6020128	51979LR1	28	6020267	55929801	25, 45
4343275	FG0640782	187	6020129	51989901	28	6020268	559298R1	25
4343286	GB41633510 01	187	6020131	519899R1	28	6020272	55129901	25, 46
4343295	GB41634045 01	157	6020132	53939R01	28	6020273	551299R1	25, 46
4343314	GB41634035 01	147, 149, 157	6020133	53939RR1	28	6020274	55129801	25, 46
4343319	GB41637280 01	163, 173, 177	6020134	53939L01	28	6020275	551298R1	25
4343325	GB41634140 3301	183	6020135	53939LR1	28	6020278	GB41636575 25	76
4343335	GB41634210	84, 155, 157, 159	6020143	51699901	30, 51, 53	6020279	GB41636575 23	76
4343336	GB41634719 01	187	6020144	516999R1	30, 51, 53	6020281	GB41636575 41	76
4343337	GB41632863 01	173	6020145	51719901	30, 51, 54	6020282	4G01A501	38
4343341	GB43000014 10	161, 163, 165, 167, 169, 173, 175, 177, 179, 181, 183	6020146	517199R1	30, 51, 54	6020283	4G00A501	41
4343344	GB41632625 01	163, 173	6020147	517199R1	30, 51, 54	6020284	4G00A401	41
4343347	GB41636617 01	159, 173, 183, 185	6020148	51889901	30, 52, 54	6020285	4G00C501	41
4343348	GB41635617 01	185	6020181	410350R1	26	6020286	4G014501	38
4343353	GB41636246 01	183	6020182	410350S3	26	6020287	4G016001	38
4343358	GB41636654 01	173, 185	6020183	410350S0	26	6020288	4G006001	40, 41
4343359	GB41636912 01	173	6020184	410360R1	26	6020289	4G018001	38
4343362	GB41636359 01	147, 149, 151, 155, 157, 159	6020185	410360S3	26	6020291	4G008001	41
4343363	GB41634756 01	147, 149, 151, 155, 159	6020186	410360S0	26	6020702	GB1149200100	28
4343366	GB41637250	85, 155, 163, 179, 185	6020187	72730001	26	6020703	GB1129200100	26, 29
4343367	GB41637267 01	151, 155, 161, 163, 165, 175, 179, 181, 185	6020188	72730036	26	6020706	GB1019400100	31
4343368	GB41637347	147, 149, 151, 155, 157	6020189	72730041	26	6020711	52959901	26, 29
4343369	GB43000021 01	163, 165, 167, 173, 177, 179, 181, 183	6020191	72970001	26	6021126	GB1149300100	28
4343681	GB41215325	86	6020192	72970036	26	6021127	GB1129300100	26, 29
4343682	GB41215320	86	6020193	72970041	26	6021128	GB1149310100	28
4343801	GB41636254 00	189	6020194	4G195501	32	6021222	41005001	23
4343802	GB41636255 00	189	6020195	4G196001	32	6021223	41005501	23
4343803	GB41636261 00	189	6020196	4G208001	32	6021905	GB41103880 00W	34
4343804	GB41636263 00	161, 163, 165, 173, 177, 179, 183	6020197	5G786001	32	6021907	GB41103880 00L	34
4343805	GB41636264 44	189	6020198	4G196101	32	6021909	94281061	32
4343807	GB41636256 00	189	6020201	55409R01	24	6021912	GB1922100802	121
4343808	GB41636257 00	189	6020202	55409RR1	24	6021913	87070000	31
4343809	GB41636265 00	189	6020203	55409L01	24	6022296	GB115500201201	13
4343811	GB41636266 00	82, 189, 191, 193	6020204	55409LR1	24	6022297	GB115591201201	13
4346741	GB41636447 01	173, 183	6020205	55409T01	24	6022298	GB1115002R1331G	14
			6020206	554097R1	24	6022301	GB111510201304	14
			6020207	55509901	24, 37	6022302	GB111510401205	14
			6020208	555099R1	24, 37	6022307	GB1115102R1304	14
			6020209	55509701	24, 37	6022308	GB11159120203	14
			6020211	555097R1	24	6022601	GB115546201201	13
			6020212	55509801	24, 37	6022602	GB115510201201	13
			6020213	555098R1	24	6022909	GB113500301203	13
			6020214	55509M01	24, 37	6022911	GB1030510152	15

NRF. NR. INDEKS



NRF. NR.	ART. NR.	SIDE	NRF. NR.	ART. NR.	SIDE	NRF. NR.	ART. NR.	SIDE
6022914	GB114300301231	15	6024972	GB1041060100	107	6025665	GB1921100390	117
6022915	GB114310301231	15	6024976	GB1929900338	105	6025666	GB1921100391	117
6022916	GB114330201231	17	6025351	GB1921101171	119	6025667	GB1921100392	117
6022924	GB1033930104	17	6025353	GB1929901991	97	6025668	GB1921100393	117
6022925	GB1033920104	17	6025404	9M11S136	18	6025669	GB19299NV036	15, 16, 93
6022926	GB113510301203	13	6025405	GB1919902065	19, 97	6025671	GB1911101291	97
6022929	GB1143003R1231	15	6025406	GB1919900910	19, 107	6025674	GB1921102028	115
6022932	GB1143302R1231	17	6025407	GB1919901286	19, 107	6025675	GB1929900503	16, 93, 95, 97, 101
6022943	GB111500201304	14	6025408	GB1929900227	19	6025677	92207401	93, 97, 101, 103
6022944	GB1115002R1304	14	6025411	GB1929900226	19, 109	6025681	GB41635960	99
6022946	GB115522201203	16	6025412	GB1919901702	19, 99	6025682	GB1043390101	99
6022955	GB115546301203	13	6025414	GB1919901950	19, 99	6025683	GB1043910101	99
6022956	GB1155463R1204	13	6025415	GB1919901900	19, 109	6025684	GB1919901839	97
6022957	GB115546601203	13	6025419	GB1919901601	19, 105	6025686	GB1929901545	99, 105
6022958	GB1155466R1205	13	6025421	GB1919901201	19, 99	6025687	GB19299U2940	105
6022959	GB1155006R140P	13	6025425	9M246101	18, 93	6025689	92242500	93
6022977	GB1183002R1231G	14	6025426	9M256101	18, 93	6025699	GB1929900310	99
6022978	GB1183002S3231G	14	6025427	9M265101	18, 93	6025701	GB1927634600	15, 97
6022979	GB1183002S0231G	14	6025428	9M265136	18, 93	6025704	GB1927569710	15, 97
6022981	GB1183002R1231	14	6025429	GB88306001	20	6025705	GB88305100	20
6022982	GB1183002S3231	14	6025431	GB88306004	20	6025727	GB1921101191	119
6022983	GB1183002R1221	14	6025432	GB88306015	20	6025728	GB1921101188	119
6022984	GB1039830104	15	6025434	GB88306036	20	6025729	GB1921101178	119
6022997	5G84R001	18	6025445	9M385101	19	6025737	GB1921102010	119
6022998	5G84HR01	18	6025456	9M646101	18, 95	6025738	GB1921102011	119
6023001	56939901	17	6025459	9M105101	19	6025739	GB1921102012	119
6023002	569399R1	17	6025461	9M105136	19	6025741	GB1921102013	119
6023007	GB19211000510	16, 17	6025462	9M105153	19	6025744	GB1921102016	119
6023008	GB1921100398	115, 117	6025463	9M106101	19	6025745	GB1921102017	119
6023011	GB115500301203	13	6025464	9M095101	19	6025746	GB19299P0109	93
6023012	GB1155003R1204	13	6025465	9M095136	19	6025747	GB19299P0111	93
6023013	GB115500301203G	13	6025466	9M095153	19	6025748	GB19299P0108	93
6023016	GB115500601203	13	6025467	9M096101	19	6025749	GB19299P0110	93
6023017	GB1155006R1204	13	6025469	9M676101	19	6025752	GB1921100111	115, 117, 119
6023018	GB115500601203G	13	6025507	GB1919902055	19, 97	6025756	GB1042980101	99
6023021	GB115510301203	13	6025508	9M165101	19, 101	6025757	GB1921102003	119
6023022	GB1155103R1203	13	6025509	9M165136	19, 101	6025758	GB88306000	93
6023023	GB1155103R123R	13	6025511	9M115101	18	6025759	GB88306051	97
6023024	GB115510601203	13	6025513	GB1919901610	19	6025793	GB19299U2937	99
6023025	GB115591301203	13	6025514	GB1919901960	19	6025798	GB19299KT959	119
6023026	GB1155913R1203	13	6025517	9M016101	18, 103	6025803	GB1921100095	97
6023027	GB115591601203	13	6025557	GB1929900344	105	6025807	GB19299T1956	97, 99, 105
6023028	GB1155916R1203	13	6025601	GB19299P0100	93	6025808	GB19299T1951	97, 99, 105
6023034	GB115530001000	17	6025602	GB19299P0101	93	6025812	GB19299TK962	93, 95, 97, 101, 103, 105
6023035	GB1155300R1000	17	6025603	GB19299P0102	93	6025813	GB19299TK960	97, 101, 103, 105
6023036	GB1115222R1203	16	6025604	GB19299P0103	93	6025815	GB19299K1956	97
6023037	GB111522201203	16	6025605	GB19299P0105	93	6025816	GB19299K1951	97
6023038	GB111522401205	16	6025606	GB19299P0106	93	6025823	GB1921102055	21
6023039	GB111546201203	14	6025611	GB88305101	20	6025831	GB19299TK961	97, 101, 103, 105
6023041	GB1115462R1203	14	6025614	GB19299P0112	93	6025833	GB1929903410	93, 97, 103
6023042	GB111546401205	14	6025615	GB19299P0113	93	6025834	GB1929900312	97, 99
6023601	GB1823000R1200	97	6025616	GB19299P0114	93	6025835	GB1929900021	93, 97, 99
6023602	GB1823100R1200	97	6025617	GB19299P0116	93	6025836	GB1929900325	97, 99, 105
6023603	GB182350001200	97	6025619	GB185580001200	93	6025838	GB1919901834	97
6023609	GB1823500R1200	97	6025622	92226100	93	6025839	GB19299U1931	99
6023611	GB1043050101	107	6025626	GB1921100394	21, 115, 117	6025842	GB1923100802	99, 121
6023612	7G061001	17	6025627	GB1921100395	117	6025844	GB1929900345	105
6023613	GB113530001000	17	6025628	GB88301801	20	6025845	GB1929900347	99, 105, 109
6023617	4G01R001	18	6025631	GB1919901845	97, 103	6025846	GB1929900356	105
6023618	4G95R001	18	6025632	GB1929951931	97	6025847	GB1929900381	93, 101, 105
6023623	GB1043340101	105	6025633	GB1929900365	97	6025848	GB1929901244	109
6023629	GB182391001200	97	6025634	GB1929900168	97, 103	6025849	GB1911101281	99
6023641	GB185500001200	93	6025636	GB88305500	20	6025851	GB1919901832	105
6023642	GB1855000R1200	93	6025637	GB88305501	20	6025856	GB1921100081	119
6023643	GB185510001200	93	6025638	GB1921100396	117	6025857	GB1921100082	119
6023644	GB1855100R1200	93	6025639	GB1921100397	117	6025858	GB1921100083	119
6023646	GB1855200R1200	93	6025641	GB1921102021	21	6025861	GB1921100094	119
6023647	GB115522301203	16	6025642	GB1921102022	22	6025862	GB1921100098	119
6023648	GB1155223R1205	16	6025643	GB1921102024	21	6025863	GB1921100099	119
6023649	GB115522601203	16	6025644	GB1921102025	21	6025865	GB1921100122	119
6023651	GB1155226R1205	16	6025645	GB1921102050	21	6025868	GB1921100107	119
6023652	GB1183300R1030	18	6025646	GB1921102051	21	6025871	GB1921100110	119
6023653	GB1183300S3030	18	6025647	GB1921102052	21	6025873	GB1921100114	119
6023654	GB1183300S0030	18	6025648	GB1921102053	21	6025874	GB1921100115	119
6023655	GB1183300R1020	18	6025649	GB1921102054	21	6025875	GB1921100116	119
6023658	GB1043900101	99	6025651	GB1921102060	21	6025877	GB1921100118	119
6023661	GB1043920101	99	6025652	GB1921102061	21	6025882	GB19299T2951	97, 101, 103, 105
6023663	GB1043940101	99	6025653	GB1921102066	21	6025883	GB19299T2952	97
6023664	GB1043950101	99	6025654	GB1921102067	21	6025884	GB19299T2953	97, 101, 103, 105
6023668	GB1823400R1200	97	6025655	GB1921102080	22	6025885	GB19299T2954	97
6024327	GB1042060101	107	6025656	GB1921102081	22	6025887	GB19299T2956	97, 101, 103, 105
6024332	GB1042300101	105	6025657	GB1921102085	22	6025889	GB19299T2958	97
6024339	GB1042640101	105	6025658	GB1921102086	22	6025893	GB1929901972	95, 97, 99, 101, 103, 105, 109
6024346	GB1042900101	99	6025659	GB1921102092	22			
6024962	GB19299K1931	97	6025661	GB1921102100	21, 34	6025895	GB1929901979	97, 99, 101, 103, 105, 109
6024963	GB19299T1929	105	6025662	GB8830700001	16	6025896	GB1929901974	97, 99, 107, 109
6024964	GB19299T2800	105	6025663	GB8830701001	16	6025898	GB1929901976	107
6024965	8193B901	103	6025664	GB8830709101	16	6025901	GB1929900500	101







NRF. NR.	ART. NR.	SIDE	NRF. NR.	ART. NR.	SIDE	NRF. NR.	ART. NR.	SIDE
7031063	GB71186000EL	51	7031387	GB71A673GBDH	47	7031565	GB7199H2CW128	44
7031065	GB71189000AG	51	7031388	GB71A674GBDH	47	7031566	GB7199H5WH128	44
7031066	GB71189000DH	51	7031389	GB71A671GBDH	46	7031567	GB7199H5BL128	44
7031067	GB71189000EL	51	7031391	GB71A672GBDH	46	7031568	GB7199H4CR224	44
7031069	GB71181200AG	52	7031392	A40260AG	47	7031569	GB7199H4BL224	44
7031071	GB71181200DH	52	7031393	A40260GB	47	7031571	GB7199K5BR000	44
7031072	GB71181200EL	52	7031394	A40290AG	47	7031572	GB7199K5CU000	44
7031077	GB71181000EL	52	7031395	A40290GB	47	7031573	GB7199K2CR000	44
7031079	GB71182000EL	52	7031397	GB7118620100	53	7031574	GB7199K6BL000	44
7031081	GB71187000EL	53	7031398	GB7118920100	54	7031575	GB7199K6WH000	44
7031082	GB711800001A	51, 52, 53	7031399	GB7118220100	54	7031576	GB7199K4CR000	44
7031083	GB711800001B	52, 52, 53	7031401	GB7118620001	53	7031577	GB71GCTC16DH	40
7031084	GB711800001C	51, 52	7031402	GB7118920001	54	7031578	GB71GCTC16GR	40
7031085	GB7118806000	56	7031403	GB7118220001	54	7031579	GB71GCTC16WS	40
7031086	GB7118809000	56	7031404	GB71186200WG	53	7031581	GB71GCTC32DH	40
7031087	GB7118801200	56	7031405	GB71189200WG	54	7031582	GB71GCTC32GR	40
7031089	GB41103822 00	35	7031406	GB71182200WG	54	7031583	GB71GCTC32WS	40
7031091	GB41103823 00	35	7031407	GB7118700001	55	7031584	GB1GCCLL30	40
7031093	GB41103827 00	35	7031408	GB71187000WG	55	7031585	GB7199K1PB000	44
7031095	GB41103830 00	35	7031409	GB7118826001	55	7031586	GB714870BO00	42
7031097	GB41103839 00	35	7031414	GB7118100001	54	7031587	GB71GCDR45	38
7031117	GB7118600036	51	7031415	GB71181000WG	54	7031588	GB7199H6BR020	44
7031118	GB7118600038	51	7031485	GB7148C128E	49	7031589	GB71GCVU45WS00	38
7031119	GB7118900036	51	7031486	GB7148C192E	49	7031591	GB7199H5WH032	44
7031121	GB7118900038	51	7031487	GB7148C320E	49	7031592	GB7199H5BL032	44
7031122	GB7118120036	52	7031488	GB7148A128F	49	7031593	GB1GCCLL50	40
7031123	GB7118120038	52	7031489	GB7148A192F	49	7031594	GB71GCDR60	38
7031124	GB7118100036	52	7031491	GB7148A320F	49	7031595	GB71GCVU60WS00	38
7031125	GB7118100038	52	7031492	GB7148C192G	49	7031596	GB71GCSC6016DH	39
7031126	GB7118200036	52	7031493	GB7148A192G	49	7031597	GB71GCSC6016GR	39
7031127	GB7118200038	52	7031494	GB711800001D	53, 54, 55	7031598	GB71GCSC6016WS	39
7031128	GB7118700036	53	7031495	GB711800001E96	53, 54, 55	7031599	GB71GCSC6032DH	39
7031129	GB7118700038	53	7031496	GB711800001E128	53, 54, 55	7031601	GB71GCSC6032GR	39
7031131	GB7118710100	53, 55	7031497	GB711800001E160	53, 54, 55	7031602	GB71GCSC6032WS	39
7031141	GB7118829001	55	7031498	GB714860BO0000	48	7031603	GB71GCTP6016DH	39
7031142	GB7118806011	56	7031499	GB714860NO0000	48	7031604	GB71GCTP6016GR	39
7031143	GB7118809011	56	7031501	GB714860DH0000	48	7031605	GB71GCTP6032DH	39
7031144	GB7118801211	56	7031502	GB714875BO0000	48	7031606	GB71GCTP6032GR	39
7031195	GB7118100100	52, 54	7031503	GB714875NO0000	48	7031609	GB714860DH00	41
7031197	GB71181000DH	52	7031504	GB714875DH0000	48	7031611	GB7199K3BC000	44
7031206	GB7118200100	52	7031505	GB714810BO0000	48	7031612	GB7199K3BB000	44
7031208	GB71182000DH	52	7031506	GB714810NO0000	48	7031613	GB71GCDR80	38
7031212	GB7118700100	53, 55	7031507	GB714810DH0000	48	7031614	GB71GCVU80WS00	38
7031214	GB71187000DH	53	7031508	GB714815BO0000	48	7031615	GB714880BL00	41
7031218	GB7118356001	56	7031509	GB714815NO0000	48	7031616	GB714880DH00	41
7031221	GB71185001R00	51	7031511	GB714815DH0000	48	7031617	GB71GCDR10	38
7031222	GB71185001L00	51	7031512	GB714870BO00BO	49	7031618	GB71GCVU10WS00	38
7031278	GB71A673CWDH	47	7031513	GB714870NO00NO	49	7031619	GB71488812BO	42
7031279	GB71A673AGDH	47	7031514	GB714870DH00DH	49	7031621	GB71488812DH	42
7031283	GB71A674CWDH	47	7031515	GB71488860BO	42, 49	7031622	GB7148801200U	43
7031284	GB71A674AGDH	47	7031516	GB71488860NO	49	7031623	GB7148801200	43
7031287	GB71A671CWDH	46	7031517	GB71488860DH	42, 49	7031624	GB714870DH00	42
7031288	GB71A671AGDH	46	7031518	GB71488875BO	49	7031625	GB71GCMC45DH	40
7031292	GB71A672CWDH	46	7031519	GB71488875NO	49	7031626	GB71GCMC60DH	40
7031293	GB71A672AGDH	46	7031521	GB71488875DH	49	7031627	GB71488880BO	42
7031296	A66600AG	45	7031522	GB71488810BO	42, 50	7031628	GB71488880DH	42
7031299	A66500AG	45	7031523	GB71488810NO	50	7031629	GB71GCMC80DH	40
7031303	A66400AG	46	7031524	GB71488810DH	42, 50	7031631	GB7148880000U	43
7031307	A67240FK	46, 47	7031525	GB71488815BO	50	7031632	GB7148880000	43
7031309	A67240FK	46, 47	7031526	GB71488815NO	50	7031633	GB71GCMC10DH	40
7031311	A67240FL	46, 47	7031527	GB71488815DH	50	7031634	GB714870WF00	42
7031329	A67260FK	45	7031531	GB71B03300E4	37	7031635	GB71GCVU45DH00	38
7031332	A67260FK	45	7031532	GB71B03300E9	37	7031636	GB71GCVU45GR00	38
7031333	A67260FL	45	7031533	GB71A47900E4	37	7031637	GB71GCVU60DH00	38
7031335	A67290FJ	45	7031534	GB71A47900E9	37	7031638	GB71GCVU60GR00	38
7031337	A67290FK	45	7031535	GB71B032E4WB	37	7031639	GB714860WF00	41
7031338	A67290FL	45	7031536	GB71B032E9WB	37	7031641	GB71GCVU80DH00	38
7031341	A67212FJ	46	7031537	GB71B032E4WBN	37	7031642	GB71GCVU80GR00	38
7031343	A67212FK	46	7031538	GB7148806000	43	7031643	GB71GCVU10DH00	38
7031344	A67212FL	46	7031539	GB7148806000U	43	7031644	GB71GCVU10GR00	38
7031365	B0015000	45	7031541	GB7148807500	50	7031671	GB714880WF00	41
7031366	B0015100	45	7031542	GB7148807500U	50	7031674	GB714810WF00	41
7031367	B0015200	46	7031547	GB714810BL00	41	7031676	GB714812WF00	41
7031368	A40360GB	47	7031548	GB714810DH00	41	7031678	GB714860BL00	41
7031369	A40390GB	48	7031549	GB7199H1CR096	44	7031683	GB71GCMC10GR	40
7031371	A90000AG	37	7031551	GB7199H3LB096	44	7031684	GB71GCMC80GR	40
7031374	GB71A903AGDH	45	7031552	GB71GCTP1216DH	39	7031685	GB71GCMC60GR	40
7031375	GB71A903GBDH	45	7031553	GB71GCTP1216GR	39	7031686	GB71GCMC45GR	40
7031376	GB71A903CWDH	45	7031554	GB71GCTP1232DH	39	7031687	GB714810AG00	41
7031377	GB71A904AGDH	45	7031555	GB71GCTP1232GR	39	7031688	GB714812AG00	41
7031378	GB71A904GBDH	45	7031556	GB714812BL00	41	7031689	GB714860AG00	41
7031379	GB71A904CWDH	45	7031557	GB714812DH00	41	7031691	GB714880AG00	41
7031381	GB71A905AGDH	46	7031558	GB7199H4CR128	44			
7031382	GB71A905GBDH	46	7031559	GB7199H4BL128	44			
7031383	GB71A905CWDH	46	7031561	GB7199H4CR160	44			
7031384	A66600GB	45	7031562	GB7199H4BL160	44			
7031385	A66500GB	45	7031563	GB7199H3LB128	44			
7031386	A66400GB	46	7031564	GB7199H2CW096	44			



ART. NR.	NRF. NR.	SIDE	ART. NR.	NRF. NR.	SIDE	ART. NR.	NRF. NR.	SIDE
41005001	6021222	23	55609MR1	6020233	24	A40390GB	7031369	48
41005501	6021223	23	55629801	6020261	45	A66400AG	7031303	46
410350R1	6020181	26	556298R1	6020261	25	A66400GB	7031386	46
410350S0	6020183	26	55629901	6020258	25, 45	A66500AG	7031299	45
410350S3	6020182	26	556299R1	6020259	25	A66500GB	7031385	45
410360R1	6020184	26	55659701	6020236	24	A66600AG	7031296	45
410360S0	6020186	26	556597R1	6020237	24	A66600GB	7031384	45
410360S3	6020185	26	55659801	6020238	24	A67212FJ	7031341	46
4G006001	40, 41	556598R1	6020239	24	A67212FK	7031343	46	
4G008001	6020291	41	55659901	6020234	24	A67212FL	7031344	46
4G00A401	6020284	41	556599R1	6020235	24	A67240FJ	7031307	46, 47
4G00A501	6020283	41	55659M01	6020241	24	A67240FK	7031309	46, 47
4G00C501	6020285	41	55659MR1	6020242	24	A67240FL	7031311	46, 47
4G014501	6020286	38	55709801	6020245	25	A67260FJ	7031329	45
4G016001	6020287	38	557098R1	6020246	25	A67260FK	7031332	45
4G018001	6020289	38	55709901	6020243	25	A67260FL	7031333	45
4G01A501	6020282	38	557099R1	6020244	25	A67290FJ	7031335	45
4G01R001	6023617	18	55709M01	6020247	25	A67290FK	7031337	45
4G195501	6020194	32	55709MR1	6020248	25	A67290FL	7031338	45
4G196001	6020195	32	55929801	6020267	25, 45	A90000AG	7031371	37
4G196101	6020198	32	559298R1	6020268	25	B0015000	7031365	45
4G208001	6020196	32	55929901	6020265	25, 45	B0015100	7031366	45
4G95R001	6023618	18	559299R1	6020266	25, 45	B0015200	7031367	46
51699901	6020143	30, 51, 53	55989901	6028611	22	FG0105060	4342954	90
516999R1	6020144	30, 51, 53	559899R1	6028612	22	FG0105061	4342956	90
51719901	6020145	30, 51, 54	55999901	6028613	22	FG0105062	4343088	90
517199R1	6020146	30, 51, 54	559999R1	6028614	22	FG0105070	4342955	90
51889901	6020147	30, 52, 54	56939901	6023001	17	FG0115050	4343076	84
518899R1	6020148	30, 52, 54	569399R1	6023002	17	FG0115060	4343101	84
51939901	6020121	29	5G786001	6020197	32	FG0115061	4343102	84
519399R1	6020122	29	5G84HR01	6022998	18	FG0115062	4343103	84
51949901	6020123	29	5G84R001	6022997	18	FG0115080	4343071	84
519499R1	6020124	29	72730001	6020187	26	FG032033420	5080086	179, 183
51979L01	6020127	28	72730036	6020188	26	FG032033520	50800093	163, 165,
51979LR1	6020128	28	72730041	6020189	26			177, 179, 183
51979R01	6020125	28	72970001	6020191	26	FG0640548	4343273	187
51979RR1	6020126	28	72970036	6020192	26	FG0640560	4342969	187
51989901	6020129	28	72970041	6020193	26	FG0640782	4343275	187
519899R1	6020131	28	7G061001	6023612	17	FG0640835	4343084	187
52959901	6020711	26, 29	7G285301	6020016	31	FG0640836	4343085	187
53939L01	6020134	28	7G286001	6020017	31	FG0640837	4343086	187
53939LR1	6020135	28	7G500001	6030004	23	FG0640841	4342686	187
53939R01	6020132	28	7G510001	6030005	23	FG0640857	5080015	90
53939RR1	6020133	28	8193B901	6024965	103	FG079805705	4342639	82, 84
55129801	6020274	25, 46	87070000	6021913	31	FP636142	4343104	84
551298R1	6020275	25	8780G101	6096502	18, 95	GB1019400100	6020706	31
55129901	6020272	25, 46	8780S101		18	GB1030510152	6022911	15
551299R1	6020273	25, 46	92207401	6025677	93, 97, 101, 103	GB1033920104	6022925	17
55409701	6020205	24	92226100	6025622	93	GB1033930104	6022924	17
554097R1	6020206	24	92241361		93	GB1039830104	6022984	15
55409L01	6020203	24	92241461		93	GB1041060100	6024972	107
55409LR1	6020204	24	92241961		95	GB1042060101	6024327	107
55409R01	6020201	24	92242001		93	GB1042300101	6024332	105
55409RR1	6020202	24	92242400		93	GB1042640101	6024339	105
55459801	6020252	25	92242500	6025689	93	GB1042900101	6024346	99
554598R1	6020253	25	93260000	6028621	23	GB1042980101	6025756	99
55459901	6020249	25	93270000	6028622	23	GB1043050101	6023611	107
554599R1	6020251	25	94281061	6021909	32	GB1043340101	6023623	105
55509701	6020209	24, 37	99320000	6030037	23	GB1043390101	6025682	99
555097R1	6020211	24	99330000	6030038	23	GB1043900101	6023658	99
55509801	6020212	24, 37	9M016101	6025517	18, 103	GB1043910101	6025683	99
555098R1	6020213	24	9M096101	6025467	19	GB1043920101	6023661	99
55509901	6020207	24, 37	9M09S101	6025464	19	GB1043940101	6023663	99
555099R1	6020208	24, 37	9M09S136	6025465	19	GB1043950101	6023664	99
55509M01	6020214	24, 37	9M09S153	6025466	19	GB1059020101	6020064	30
55509MR1	6020215	24	9M106101	6025463	19	GB1059056101	6020069	30
55559801	6020256	25	9M10S101	6025459	19	GB1074010101	6020044	33
555598R1	6020257	25	9M10S136	6025461	19	GB1074010102	6020043	33
55559901	6020254	25	9M10S153	6025462	19	GB1074010112	6020019	33
555599R1	6020255	25	9M11S101	6025511	18	GB1086020161	6020088	31
55569701	6020218	24	9M11S136	6025404	18	GB1086030161	6020089	31
555697R1	6020219	24	9M16S101	6025508	19, 101	GB111500201304	6022943	14
55569801	6020221	24	9M16S136	6025509	19, 101	GB1115002R1304	6022944	14
555698R1	6020222	24	9M246101	6025425	18, 93	GB1115002R1331G	6022298	14
55569901	6020216	24	9M256101	6025426	18, 93	GB111510201304	6022301	14
555699R1	6020217	24	9M26S101	6025427	18, 93	GB1115102R1304	6022307	14
55569M01	6020223	24	9M26S136	6025428	18, 93	GB111510401205	6022302	14
55569MR1	6020224	24	9M38S101	6025445	19	GB111522201203	6023037	16
55609701	6020227	24	9M646101	6025456	18, 95	GB1115222R1203	6023036	16
556097R1	6020228	24	9M676101	6025469	19	GB111522401205	6023038	16
55609801	6020229	24	A40260AG	7031392	47	GB111546201203	6023039	14
556098R1	6020231	24	A40260GB	7031393	47	GB1115462R1203	6023041	14
55609901	6020225	24	A40290AG	7031394	47	GB111546401205	6023042	14
556099R1	6020226	24	A40290GB	7031395	47	GB11159120203	6022308	14
55609M01	6020232	24	A40360GB	7031368	47	GB1129200100	6020703	26, 29





ART. NR.	NRF. NR.	SIDE	ART. NR.	NRF. NR.	SIDE	ART. NR.	NRF. NR.	SIDE
GB1129300100	6021127	26, 29	GB1823400R1200	6023668	97	GB1921101408	6025918	101
GB113500301203	6022909	13	GB182350001200	6023603	97	GB1921102003	6025757	119
GB113510301203	6022926	13	GB1823500R1200	6023609	97	GB1921102010	6025737	119
GB113530001000	6023613	17	GB182391001200	6023629	97	GB1921102011	6025738	119
GB1141000100	6028604	22	GB184200001200	6025906	101	GB1921102012	6025739	119
GB114100R100	6028607	22	GB184310001200	6025908	101	GB1921102013	6025741	119
GB1141300100	6028605	22	GB1843100R1200	6025917	101	GB1921102016	6025744	119
GB114130R100	6028608	22	GB184700001200		95	GB1921102017	6025745	119
GB114300301231	6022914	15	GB185500001200	6023641	93	GB1921102020	6025926	21
GB1143003R1231	6022929	15	GB1855000R1200	6023642	93	GB1921102021	6025641	21
GB114310301231	6022915	15	GB185510001200	6023643	93	GB1921102022	6025642	22
GB114330201231	6022916	17	GB1855100R1200	6023644	93	GB1921102024	6025643	21
GB1143302R1231	6022932	17	GB1855200R1200	6023646	93	GB1921102025	6025644	21
GB114330BLACK		17	GB185580001200	6025619	93	GB1921102027	6025927	21, 21, 22
GB1144500101	6020113	27	GB19111101281	6025849	99	GB1921102028	6025674	115
GB114450R101	6020054	27	GB19111101291	6025671	97	GB1921102029	6025928	21, 21, 22
GB1145500101	6020111	27	GB1919900910	6025406	19, 107	GB1921102030	6025929	21
GB114550R101	6020055	27	GB1919901201	6025421	19, 99	GB1921102031	6025931	21
GB1145510101	6020112	27, 48	GB1919901211	6096505	19, 97	GB1921102032	6025932	21
GB114551BLACK		27	GB1919901286	6025407	19, 107	GB1921102035	6025933	21
GB114551R101	6020058	27, 48	GB1919901601	6025419	19, 105	GB1921102036	6025934	21
GB1146000101	6020115	27	GB1919901610	6025513	19	GB1921102037	6025935	21
GB114600R101	6020056	27	GB1919901702	6025412	19, 99	GB1921102040	6025936	21
GB1146010101	6020117	27	GB1919901830	6026518	109	GB1921102042	6025938	21
GB114601R101	6020059	27	GB1919901831	6026519	99	GB1921102045	6025939	21
GB1146500101	6020114	27	GB1919901832	6025814	105	GB1921102047	6025942	21
GB114650R101	6020057	27	GB1919901834	6025838	97	GB1921102050	6025645	21
GB1149200100	6020702	28	GB1919901835	6025916	101	GB1921102051	6025646	21
GB1149300100	6021126	28	GB1919901839	6025684	97	GB1921102052	6025647	21
GB1149310100	6021128	28	GB1919901845	6025631	97, 103	GB1921102053	6025648	21
GB115500201201	6022296	13	GB1919901900	6025415	19, 109	GB1921102054	6025649	21
GB115500301203	6023011	13	GB1919901950	6025414	19, 99	GB1921102055	6025823	21
GB115500301203G	6023013	13	GB1919901960	6025514	19	GB1921102060	6025651	21
GB1155003R1204	6023012	13	GB1919902002	6096503	19, 97	GB1921102061	6025652	21
GB115500601203	6023016	13	GB1919902055	6025507	19, 97	GB1921102066	6025653	21
GB115500601203G	6023018	13	GB1919902065	6025405	19, 97	GB1921102067	6025654	21
GB1155006R1204	6023017	13	GB1919902070	6096504	19, 97	GB1921102080	6025655	22
GB1155006R140P	6022959	13	GB19211000510	6023007	16, 17	GB1921102081	6025656	22
GB115510201201	6022602	13	GB1921100081	6025856	119	GB1921102085	6025657	22
GB115510301203	6023021	13	GB1921100082	6025857	119	GB1921102086	6025658	22
GB1155103R1203	6023022	13	GB1921100083	6025858	119	GB1921102092	6025659	21, 22
GB1155103R123R	6023023	13	GB1921100094	6025861	119	GB1921102100	6025661	34
GB115510601203	6023024	13	GB1921100095	6025803	119	GB1922100802	6021912	121
GB115522201203	6022946	16	GB1921100098	6025862	119	GB1923100802	6025842	99, 121
GB115522301203	6023647	16	GB1921100099	6025863	119	GB1923101721	6032809	123
GB1155223R1205	6023648	16	GB1921100107	6025868	119	GB1927569710	6025704	15, 97
GB115522601203	6023649	16	GB1921100110	6025871	119	GB1927634600	6025701	15, 97
GB1155226R1205	6023651	16	GB1921100111	6025752	115, 117, 119	GB1929900021	6025835	93, 97, 99
GB115530001000	6023034	17	GB1921100114	6025873	119	GB1929900058	6026266	109
GB1155300R1000	6023035	17	GB1921100115	6025874	119	GB1929900168	6025634	97, 103
GB115546201201	6022601	13	GB1921100116	6025875	119	GB1929900208	6026366	109
GB115546301203	6022955	13	GB1921100118	6025877	119	GB1929900209	6026373	99, 105, 109
GB1155463R1204	6022956	13	GB1921100122	6025865	119	GB1929900211	6026201	111
GB115546601203	6022957	13	GB1921100370	6025943	115, 117	GB1929900216	6026541	109, 111
GB1155466R1205	6022958	13	GB1921100371	6025944	115, 117	GB1929900217	6026525	107, 109, 111
GB115591201201	6022297	13	GB1921100372	6025945	115, 117, 119	GB1929900226	6025411	19, 109
GB115591301203	6023025	13	GB1921100373	6025946	115, 117, 119	GB1929900227	6025408	19
GB1155913R1203	6023026	13	GB1921100375	6025947	115, 117	GB1929900228	6026244	113
GB115591601203	6023027	13	GB1921100376	6025948	115	GB1929900229	6026247	113
GB1155916R1203	6023028	13	GB1921100377	6025949	115	GB1929900233	6026262	113
GB1183002R1221	6022983	14	GB1921100378	6025951	115	GB1929900236	6026411	107, 111
GB1183002R1231	6022981	14	GB1921100379	6025952	115	GB1929900237	6026414	107, 111
GB1183002R1231G	6022977	14	GB1921100380	6025953	115, 117, 119	GB1929900238	6026421	107, 111
GB1183002S0231G	6022979	14	GB1921100381	6025954	115, 117, 119	GB1929900239	6025923	107, 111
GB1183002S3231	6022982	14	GB1921100382	6025955	115, 117, 119	GB1929900244	6026213	111
GB1183002S3231G	6022978	14	GB1921100383	6025956	115, 117	GB1929900260	6026212	99, 105, 107, 109, 111
GB1183300R1020	6023655	18	GB1921100384	6025957	115, 117			
GB1183300R1030	6023652	18	GB1921100385	6025958	115, 119	GB1929900282	6026581	99, 105, 109
GB1183300S0030	6023654	18	GB1921100386	6025959	115, 117, 119	GB1929900283	6026591	99
GB1183300S3030	6023653	18	GB1921100387	6025961	115	GB1929900291	6026221	111
GB1561479801	6020007	31	GB1921100388		115	GB1929900310	6025699	99
GB1563219901	6302991	32	GB1921100389		115	GB1929900312	6025834	97, 99
GB1563229901	6302992	32	GB1921100390	6025665	117	GB1929900315	6026543	109
GB157119600113	6020021	33	GB1921100391	6025666	117	GB1929900316	6026545	107
GB157119610105	6020025	33	GB1921100392	6025667	117	GB1929900319	6026527	97, 99, 103
GB157119630110	6020092	33	GB1921100393	6025668	117	GB1929900320	6026555	97, 99, 103
GB157119990110	6020028	33	GB1921100394	6025626	21, 115, 117	GB1929900324	6026389	99
GB1571279901	6020008	31	GB1921100395	6025627	117	GB1929900325	6025836	97, 99, 105
GB1573279801	6020027	32	GB1921100396	6025638	117	GB1929900330	6026282	113
GB182200001200	6092501	97	GB1921100397	6025639	117	GB1929900332	6025922	111
GB182300001200	6090202	97	GB1921100398	6023008	115, 117	GB1929900338	6024976	105
GB1823000R1200	6023601	97	GB1921101171	6025351	119	GB1929900344	6025557	105
GB182310001200	6090203	97	GB1921101178	6025729	119	GB1929900345	6025844	105
GB1823100R1200	6023602	97	GB1921101188	6025728	119	GB1929900347	6025845	99, 105, 109
GB182340001200	6090205	97	GB1921101191	6025727	119	GB1929900356	6025846	105



ART. NR.	NRF. NR.	SIDE	ART. NR.	NRF. NR.	SIDE	ART. NR.	NRF. NR.	SIDE
GB1929900361	6026592	99	GB2063685612		62	GB2162150100	6031196	57
GB1929900365	6025633	97, 95	GB2063685613		62	GB2162160100	6031197	58, 59
GB1929900381	6025847	93, 101, 105	GB2081220100	6030251	63	GB2165130100	6031155	57
GB1929900500	6025901	101	GB2081220111		63	GB2165140100	6031156	57
GB1929900502	6025902	101, 103	GB2081220112		63	GB2165150100	6031157	57
GB1929900503	6025675	16, 93, 95, 97, 101, 103	GB2081220113		63	GB2165160100	6031158	58, 59
			GB2081380100	6030252	64	GB2165700100	6031159	57, 58, 59
GB1929900504	6025904	101	GB2081380111		64	GB2170100100	6031127	60
GB1929900505	6025905	101	GB2081380112		64	GB2170130100	6031115	57
GB1929900506	6025924	103	GB2081380113		64	GB2170140100	6031116	57
GB1929901244	6025848	109	GB2082570100	6030257	64	GB2170150100	6031117	57
GB1929901453	6026511	107	GB2082580100	6030258	65	GB2170160100	6031118	58, 59
GB1929901545	6025686	99, 105	GB2083400100	6030246	63	GB2170163600	6030235	58, 59
GB1929901690		145	GB2083400111		63	GB2170163800	6030234	58, 59
GB1929901972	6025893	95, 97, 99, 101, 103, 105, 109	GB2083400112		63	GB2170165600	6030236	58, 59
			GB2083400113		63	GB2170170100	6031119	60
GB1929901974	6025896	97, 99, 107, 109	GB2083410100	6030253	64	GB2175100100	6031135	60
GB1929901976	6025898	107	GB2083411100	6030254	64	GB2175130100	6031136	57
GB1929901979	6025895	97, 99, 101, 103, 105, 109	GB2083500100	6030247	63	GB2175140100	6031137	57
			GB2083500111		63	GB2175150100	6031138	57
GB1929901991	6025353	97	GB2083500112		63	GB2175160100	6031139	58, 59
GB1929903410	6025833	93, 97, 103	GB2083500113		63	GB2175170100	6031162	60
GB19299K1931	6024962	97	GB2083600100	6030248	63	GB2175650100	6031163	60
GB19299K1951	6025816	97	GB2083600111		63	GB2175700100	6031164	57, 58, 59, 60
GB19299K1956	6025815	97	GB2083600112		63	GB2921200353	6031844	61, 62
GB19299K1959	6025798	97	GB2083600113		63	GB2921200358	6031842	61, 62
GB19299NV036	6025669	15, 16, 93	GB2083970100	6030249	63	GB2921200359	6031843	61, 62
GB19299P0100	6025601	93	GB2083970111		63	GB2924300155	6031722	63, 64, 65, 123
GB19299P0101	6025602	93	GB2083970112		63	GB2924300156	6031723	63, 64, 65, 123
GB19299P0102	6025603	93	GB2086830100	6030255	64	GB2924300160	6031825	125
GB19299P0103	6025604	93	GB2086831100	6030256	64	GB2929900037	6031841	123
GB19299P0105	6025605	93	GB208B080901		57, 58, 59, 60, 60, 61, 62, 63, 64, 65	GB2929900041	6031881	127
GB19299P0106	6025606	93			65	GB2929900048	6031874	125
GB19299P0108	6025748	93	GB208B090901		65	GB2929900110	6030157	123
GB19299P0109	6025746	93	GB208B231500	6030259	63, 64, 65	GB2929900112	6031952	123
GB19299P0110	6025749	93	GB2110160100	6030233	61	GB2929900115	6031865	123, 127
GB19299P0111	6025747	93	GB2110510100	6030201	60	GB2929900117	6031868	127
GB19299P0112	6025614	93	GB2110510111		60	GB2929900118	6031891	127
GB19299P0113	6025615	93	GB2110510112		60	GB2929900119	6031903	127
GB19299P0114	6025616	93	GB2110510113		60	GB2929900120	6031909	127
GB19299P0116	6025617	93	GB2113000100	6030203	57	GB2929900172	6031935	123, 125
GB19299P0201		95	GB2113000111		57	GB2929900174	6030553	123
GB19299P0202		95	GB2113000112		57	GB2929900175	6030129	123, 127
GB19299P0204		95	GB2113000113		57	GB2929900228	6031715	123
GB19299P0206		95	GB2114000100	6030204	57	GB2929920001	6031713	123
GB19299P0207		95	GB2114000111		57	GB2929970001	6031735	123
GB19299P0210		93	GB2114000112		57	GB2929970002	6031736	123
GB19299P0212		93	GB2114000113		57	GB2929970003	6031737	125
GB19299S1931	6025632	97	GB2115000100	6030207	57	GB2929970004	6030552	123
GB19299S3951		99	GB2115000111		57	GB35000001		145
GB19299T1929	6024963	105	GB2115000112		57	GB41102817	4343141	89
GB19299T1951	6025808	97, 99, 105	GB2115000113		57	GB41103017 23	4342994	85
GB19299T1956	6025807	97, 99, 105	GB2115700100	6030208	58	GB41103216	4342712	87
GB19299T2800	6024964	105	GB2115700111		58	GB41103220	4342932	86
GB19299T2951	6025882	97, 101, 103, 105	GB2115700112		58	GB41103225	4342931	86
GB19299T2952	6025883	97	GB2115700113		58	GB41103250	4342896	85
GB19299T2953	6025884	97, 101, 103, 105	GB2115710100	6030232	61	GB41103305	4342655	87
GB19299T2954	6025885	97	GB2115710111		61	GB41103390 23	4342699	85
GB19299T2956	6025887	97, 101, 103, 105	GB2115710113		61	GB41103390 46	4342701	85
GB19299T2958	6025889	97	GB2116000100	6030209	58	GB41103390 49	4342704	85
GB19299TK960	6025813	97, 101, 103, 105	GB2116000111		58	GB41103615	4342666	87
GB19299TK961	6025831	97, 101, 103, 105	GB2116000112		58	GB41103822 00	7031089	35
GB19299TK962	6025812	93, 95, 97, 101, 103, 105	GB2116000113	6030215	58	GB41103823 00	7031091	35
			GB2116030100		59	GB41103827 00	7031093	35
GB19299U1931	6025839	99	GB2116030111		59	GB41103830 00	7031095	35
GB19299U2937	6025793	99	GB2116030112		59	GB41103839 00	7031097	35
GB19299U2940	6025687	105	GB2116030113		59	GB41103844 00		36
GB1GCCLL30	7031584	40	GB2116070100	6030221	59	GB41103847 00		36
GB1GCCLL50	7031593	40	GB2116070111		59	GB41103850 00		36
GB2063160001	6030276	61	GB2116070112		59	GB41103880 00L	6021907	34
GB2063160012		61	GB2116070113		59	GB41103880 00W	6021905	34
GB2063160013		61	GB2117000100	6030217	60	GB41103880 23L	6020086	34
GB2063160101	6030273	61	GB2117000111		60	GB41103880 23W	6020084	34
GB2063160112		61	GB2117000112		60	GB41103880 41L	6020087	34
GB2063160113		61	GB2117000113		60	GB41103880 41W	6020085	34
GB2063165601	6030462	61	GB2117070100	6030222	60	GB41104053 00	4342628	85, 139, 141, 143
GB2063165612		61	GB2117070111		60	GB41203056	4340695	87
GB2063165613		61	GB2117070112		60	GB41203096	4340696	87
GB2063680001	6030277	62	GB2117070113		60	GB41204055	4340767	88
GB2063680012		62	GB2160130100	6031145	57	GB41204056	4340765	87
GB2063680013		62	GB2160140100	6031146	57	GB41204057	4340778	88
GB2063680101	6030264	62	GB2160150100	6031147	57	GB41204095	4340771	88
GB2063680112		62	GB2160160100	6031148	57	GB41204096	4340766	87
GB2063680113		62	GB2162130100	6031194	58, 59	GB41204097	4340779	88
GB2063685601	6030461	62	GB2162140100	6031195	57	GB41204155	4340768	88



ART. NR.	NRF. NR.	SIDE	ART. NR.	NRF. NR.	SIDE	ART. NR.	NRF. NR.	SIDE
GB41204155	88	88	GB41219223	80	80	GB41634757	147, 149, 149,	149
GB41204195	88	88	GB41219223	80	80		151, 155, 157, 159	159
GB41204195	88	88	GB41219224	80	80	GB41634799	0001	157, 159
GB41204956	89	89	GB41219224	80	80	GB41634828	01	151, 155, 159, 161,
GB41204958	90	90	GB41219224	80	80		163, 165, 173, 175,	185
GB41204996	89	89	GB41630129	155, 159, 179, 183				179, 181, 183, 185
GB41204998	90	90	GB41630131	147, 149, 151, 155,		GB41634834	4343125	183
GB41205081	84, 89, 90			157, 159, 163, 171,		GB41634955	01	185
GB41205361	89	89		173, 177, 179, 183, 159		GB41635175	01	159
GB41209055	90	90	GB41630151	84, 159		GB41635270	4342917	84
GB41209055	90	90	GB41630184	89, 155		GB41635410	01	185
GB41209055	90	90	GB41630191	84, 159		GB41635430	01	159, 173, 183, 185
GB41213043	73	73	GB41630194	84, 159		GB41635617	01	185
GB41213051	73	73	GB41630196	84, 159		GB41635633	02	147, 149,
GB41213061	73	73	GB41630197	84, 159				151, 153, 157
GB41213081	77	77	GB41630305	84, 163		GB41635671	02	173
GB41214004	82	82	GB41630770	84		GB41635678	8701	159, 173, 183, 185
GB41214014	82	82	GB41631765	84		GB41635680	01	173, 183
GB41214023	83	83	GB41631773	89		GB41635762	3301	163, 165, 175,
GB41214024	82, 89		GB41631830	149, 157				179, 181, 183
GB41214033	83	83	GB41632555	159		GB41635790	01	84, 87, 88,
GB41214035	83	83	GB41632625	163, 173				163, 179, 183
GB41214041	73	73	GB41632633	163		GB41635944	01	84
GB41214043	73	73	GB41632698	147, 149, 151,		GB41635960	6025681	99
GB41214045	74	74		153, 157		GB41636246	01	183
GB41214047	73	73	GB41632731	159, 183		GB41636254	00	189
GB41214047	73	73	GB41632814	149, 157		GB41636255	00	189
GB41214047	73	73	GB41632815	149, 157		GB41636256	00	189
GB41214071	77	77	GB41632834	163, 179		GB41636257	00	189
GB41214081	77	77	GB41632863	173		GB41636261	00	189
GB41214085	74	74	GB41632952	179		GB41636263	00	161, 163, 165,
GB41214141	74	74	GB41632952	183				173, 177, 179, 183
GB41214145	74	74	GB41633505	187		GB41636264	44	189
GB41214147	74	74	GB41633506	187		GB41636265	00	189
GB41214185	74	74	GB41633510	187		GB41636266	00	82, 189, 191, 193
GB41214245	74	74	GB41633513	159, 173, 183		GB41636302	02	173
GB41214264	89	89	GB41633614	84, 89, 147, 149,		GB41636319		173, 183
GB41214904	79	79		151, 155, 157, 159		GB41636326	01	159, 173, 183
GB41214924	79	79	GB41633616	84, 147, 149, 151,		GB41636337	01	173, 185
GB41214933	80	80		155, 157, 159		GB41636359	01	147, 149, 151,
GB41214934	83	83	GB41633624	84, 147, 149,				155, 157, 159
GB41214951	75	75		151, 155, 157, 159		GB41636395	01	185
GB41214961	75	75	GB41633631	83, 84, 147, 149,		GB41636424	01	4342632
GB41214981	77	77		151, 155, 157, 159		GB41636437	01	183
GB41214991	75	75	GB41633632	83, 84, 147, 149,		GB41636440	01	183
GB41215304	78, 80			151, 155, 157, 159		GB41636441	01	183
GB41215320	86	86	GB41633633	84, 147, 149,		GB41636447	01	173, 183, 185
GB41215324	78	78		151, 155, 157, 159		GB41636448	01	173, 183, 185
GB41215325	86	86	GB41633644	159		GB41636457	01	161, 165,
GB41215333	80	80		159				167, 169, 173
GB41215352	77	77	GB41633651	183		GB41636460	01	153, 157
GB41215387	78	78	GB41633748	87		GB41636465	01	4342684
GB41215604	78	78	GB41633858	179, 183		GB41636479	01	157
GB41215620	86	86	GB41633860	33	161, 163, 165,	GB41636480	01	157
GB41215624	78	78			173, 177, 179, 183	GB41636575	01	73, 74, 75,
GB41215625	86	86	GB41633861	25	179, 183			76, 77, 84, 163
GB41217143	65, 81		GB41633877	01	159, 173, 183, 185	GB41636575	23	6020279
GB41218004	81	81	GB41633952	01	147, 149, 151,	6020278		76
GB41218004	81	81			155, 157, 159	GB41636575	41	6020281
GB41218004	81	81	GB41633971	02	163, 175, 177,	GB41636577	01	147, 149, 151,
GB41218051	76	76			179, 183			155, 157, 159
GB41218051	76	76	GB41633972	4342754	147, 149, 151, 155,	GB41636596	00	82, 191
GB41218051	76	76			163, 175, 179, 183	GB41636597	44	4342688
GB41218251	76	76	GB41634002	6301993	70, 84	GB41636598	00	4342689
GB41218251	76	76	GB41634035	01	147, 149, 157	GB41636599	00	4342691
GB41218251	76	76	GB41634045	01	157	GB41636606	02	173
GB41218304	79	79	GB41634078	01	157	GB41636617	01	4343347
GB41218304	79	79	GB41634119	173		GB41636629	01	167, 169
GB41218304	79	79	GB41634140	3301	4343325	GB41636654	01	4343358
GB41218324	79	79	GB41634157	179		GB41636682		173, 185
GB41218324	79	79	GB41634157	01	163, 175, 181, 183	GB41636820		80, 83, 84
GB41218324	79	79	GB41634210	4343335	84, 155, 157, 159	GB41636912	01	4343359
GB41219004	81	81	GB41634470	01	159, 173, 183	GB41636920	01	4342683
GB41219004	81	81	GB41634525	84		GB41636921	01	173, 185
GB41219004	81	81	GB41634555	01	4343123	GB41636921	01	4342682
GB41219051	75	75			147, 149, 151,	GB41637010	01	179, 181, 183
GB41219051	75	75	GB41634610	4342911	155, 157, 159	GB41637011	01	183
GB41219051	75	75	GB41634621	01	183	GB41637161	02	84, 161, 163, 165,
GB41219051	75	75	GB41634628	6101	147, 149, 151, 155,			173, 175, 179, 181, 183
GB41219151	76	76	GB41634628	6201	185	GB41637164	02	84
GB41219151	76	76	GB41634650	01	4343014	GB41637173		4342677
GB41219204	80	80	GB41634680	01	4343015	GB41637237	01	183
GB41219204	80	80	GB41634719	01	4343015	GB41637238	01	171
GB41219223	80	80	GB41634756	01	4343161	GB41637239	01	171
					4343144	GB41637240	01	171
					4343336	GB41637241	01	171
					147, 149, 151,	GB41637242		171
					155, 159			



ART. NR.	NRF. NR.	SIDE	ART. NR.	NRF. NR.	SIDE	ART. NR.	NRF. NR.	SIDE
GB41637244		171	GB41638520 25	4342742	75, 89	GB7118700036	7031128	53
GB41637245		171	GB41638520 36	4342744	75, 89, 90	GB7118700038	7031129	53
GB41637250	4343366	85, 155, 163, 179, 185	GB41638520 38	4342745	75, 89, 90	GB71187000DH	7031214	53
GB41637260		177	GB41638525 01	4342786	151	GB71187000EL	7031081	53
GB41637261 01	4342753	151, 155, 161, 163, 165, 175, 179, 181	GB41638528 23	4342747	79, 80	GB71187000WG	7031408	55
GB41637267 01	4343367	151, 155, 161, 163, 165, 175, 179, 181, 185	GB41638528 25	4342746	79, 80	GB7118700100	7031212	53, 55
GB41637270 01	4342713	163, 173	GB41638528 36	4342748	79, 80	GB7118710100	7031131	53, 55
GB41637280 01	4343319	163, 173, 177	GB41638528 38	4342749	79, 80	GB7118801200	7031087	56
GB41637282 01	4342751	163, 167	GB41638529 01		151	GB7118801211	7031144	56
GB41637315	4342634	84, 157	GB41638530 01	4342785	151	GB7118806000	7031085	56
GB41637319		193	GB41638542 01	4342788	151	GB7118806011	7031142	56
GB41637320	4342734	189	GB41638544 01		167	GB7118809000	7031086	56
GB41637326 0	4342776	179, 183	GB41638545 01	4342787	151	GB7118809011	7031143	56
GB41637337 01	4342676	183	GB41638549 01	4342767	165, 175, 181	GB7118824600	7031024	55
GB41637347	4343368	147, 149, 151, 155, 157	GB41638557 01		167, 169	GB7118826001	7031409	55
GB41637360 01	4342627	85, 163, 179, 185, 155	GB41638560 01	4342773	167, 169	GB7118829001	7031141	55
GB41637363 01	4342735	155, 163, 179, 185	GB41638561		167, 169	GB7118900036	7031119	51
GB41637387 01	4342717	147, 149, 151, 153, 155, 177	GB41638589		193	GB7118900038	7031121	51
GB41637389 02	4342718	177	GB41638721 02		163	GB71189000AG	7031065	51
GB41637393	4342719	177, 185	GB41638725 01	4342757	191	GB71189000DH	7031066	51
GB41637406	4342721	177, 185	GB41638727 02	4342759	191	GB71189000EL	7031067	51
GB41637407	4342722	177, 185	GB41638728 01	4342761	191	GB7118900100	7031044	51
GB41637410	4342723	153, 177	GB41638739 01		167	GB7118900201	7031047	51
GB41637415	4342724	177, 185	GB41638753 01		181	GB7118920001	7031402	54
GB41637416	4342725	153, 177	GB41638754 01		181	GB71189200WG	7031405	54
GB41637418	4342926	177	GB41638760	4342781	78	GB7118920100	7031398	54
GB41637445	4342653	75, 84, 163	GB41638860	4342798	79	GB714810AG00	7031687	41
GB41637446		163	GB41638860 23	4342799	79	GB714810BL00	7031547	41
GB41637450	4342638	84, 163, 173	GB41638860 41	4342801	79	GB714810BO0000	7031505	48
GB41637453	4342651	163, 173	GB41639062 01		161, 175	GB714810DH00	7031548	41
GB41637560	4342763	195	GB41639066 01		175	GB714810DH0000	7031507	48
GB41637561		195	GB41639080 01		147	GB714810NO0000	7031506	48
GB41637562	4342762	193	GB41639097 01		161	GB714810WF00	7031674	41
GB41637564	4342764	195	GB41639125 01		169	GB714812AG00	7031688	41
GB41637571	4342765	195	GB43000014 10	4343341	161, 163, 165, 167, 169, 173, 175, 177, 179, 181, 183	GB714812BL00	7031556	41
GB41637575	4340714	82, 161, 163, 165, 173, 177, 189	GB43000021 01	4343369	163, 165, 167, 173, 177, 179, 181, 183	GB714812DH00	7031557	41
GB41637577	4342706	195	GB7118000004	7031002	51, 52	GB714812WF00	7031676	41
GB41637584 01	4342944	195	GB7118000001A	7031082	51, 52, 53	GB714815BO0000	7031508	48
GB41637804 01	4342635	85, 149, 157	GB7118000001B	7031083	52, 53	GB714815DH0000	7031511	48
GB41637810 01	4342636	85, 149, 157	GB7118000001C	7031084	51, 52	GB714815NO0000	7031509	48
GB41637840 02	4342637	85, 149, 157	GB7118000001D	7031494	53, 54, 55	GB714860AG00	7031689	41
GB41638196		179	GB7118000001E128	7031496	53, 54, 55	GB714860BL00	7031678	41
GB41638199 01	4342771	163, 165, 179, 183	GB7118000001E160	7031497	53, 54, 55	GB714860BO0000	7031498	48
GB41638202	4342752	163, 179	GB7118000001E96	7031495	53, 54, 55	GB714860DH00	7031609	41
GB41638220 01	4342768	163, 165, 175, 179, 181, 183	GB7118000220	7031025	40, 55	GB714860DH0000	7031501	48
GB41638224 01	4342769	161, 163, 165, 173	GB71181000001	7031414	54	GB714860NO0000	7031499	48
GB41638281 01	4342779	153	GB71181000036	7031124	52	GB714860WF00	7031639	41
GB41638283 01	4342782	153	GB71181000038	7031125	52	GB714870BO00	7031586	42
GB41638287 01	4342783	153	GB71181000038	7031125	52	GB714870BO00BO	7031512	49
GB41638334 01	4342726	147, 149, 151, 153	GB71181000038	7031125	52	GB714870DH00	7031624	42
GB41638336 01	4341957	149	GB711810000DH	7031197	52	GB714870DH00DH	7031514	49
GB41638339 01	4341959	147, 149, 151, 157	GB711810000EL	7031077	52	GB714870NO00NO	7031513	49
GB41638358 01	4342714	177	GB711810000EL	7031077	52	GB714870WF00	7031634	42
GB41638361 02	4342715	177	GB711810000WG	7031415	54	GB714875BO0000	7031502	48
GB41638374 01	4342732	179, 183	GB7118100100	7031195	52, 54	GB714875DH0000	7031504	48
GB41638375 01	4342731	179, 183	GB71181200036	7031122	52	GB714875NO0000	7031503	48
GB41638390	6030266	65, 81	GB71181200038	7031123	52	GB7148801000	7031503	48
GB41638429 01		177	GB711812000AG	7031069	52	GB7148801000U	7031623	43
GB41638450	4342716	179, 181, 183	GB711812000DH	7031071	52	GB7148801200	7031622	43
GB41638453 01	4340718	161, 163	GB711812000EL	7031072	52	GB7148801200U	7031622	43
GB41638457	4342942	84	GB711812000WG	7031045	52	GB7148801500	7031500	50
GB41638464	4342933	86, 193	GB7118220000	7031048	52	GB7148801500U	7031500	50
GB41638465	4342934	193	GB711822000WG	7031126	52	GB7148806000	7031538	43
GB41638466	4342935	193	GB71182200100	7031206	52	GB7148806000U	7031539	43
GB41638467	4342936	193	GB71183160AG	7031403	54	GB7148807500	7031541	50
GB41638468	4342937	193	GB7118356001	7031406	54	GB7148807500U	7031542	50
GB41638469	4342938	193	GB71185001L00	7031399	54	GB7148808000	7031632	43
GB41638470	4342939	193	GB71185001R00	7031018	56	GB7148808000U	7031631	43
GB41638472	4342941	193	GB71186000036	7031218	56	GB714880AG00	7031691	41
GB41638474 01		179	GB71186000038	7031222	51	GB714880BL00	7031615	41
GB41638509 01		181	GB711860000AG	7031221	51	GB714880DH00	7031616	41
GB41638514 01	4342766	151, 165, 181, 185	GB711860000DH	7031117	51	GB714880WF00	7031671	41
GB41638515 23	4342738	75, 83, 89, 90	GB711860000EL	7031118	51	GB71488810BO	7031522	42, 50
GB41638515 25	4342737	75, 83, 89, 90	GB71186000100	7031062	51	GB71488810DH	7031524	42, 50
GB41638515 36	4342739	75, 83, 89, 90	GB7118620001	7031063	51	GB71488810NO	7031523	50
GB41638515 38	4342741	75, 83, 89, 90	GB711862000WG	7031043	51	GB71488812BO	7031619	42
GB41638520 23	4342743	90, 75, 89, 90	GB7118620100	7031401	53	GB71488812DH	7031621	42
			GB7118620100	7031397	53	GB71488815BO	7031525	50
			GB7118700001	7031407	55	GB71488815DH	7031527	50
						GB71488815NO	7031526	50
						GB71488860BO	7031515	42, 49
						GB71488860DH	7031517	42, 49
						GB71488860NO	7031516	49
						GB71488875BO	7031518	49
						GB71488875DH	7031521	49





ART. NR.	NRF. NR.	SIDE	ART. NR.	NRF. NR.	SIDE	ART. NR.	NRF. NR.	SIDE
GB71488875NO	7031519	49	GB71GCTC16DH	7031577	40	UDW0090NAU221RN-01	6301555	67
GB71488880BO	7031627	42	GB71GCTC16GR	7031578	40	UDW0090NAU221RN-61	6301565	67
GB71488880DH	7031628	42	GB71GCTC16WS	7031579	40	UDW0090NAU222LN-01	6301578	68
GB7148A128F	7031488	49	GB71GCTC32DH	7031581	40	UDW0090NAU222LN-61	6301593	68
GB7148A192F	7031489	49	GB71GCTC32GR	7031582	40	UDW0090NAU222RN-01	6301579	68
GB7148A192G	7031493	49	GB71GCTC32WS	7031583	40	UDW0090NAU222RN-61	6301594	68
GB7148A320F	7031491	49	GB71GCTP1216DH	7031552	39	UDW0090SKA200LN-61	6301622	69
GB7148C128E	7031485	49	GB71GCTP1216GR	7031553	39	UDW0090SKA200RN-61	6301623	69
GB7148C192E	7031486	49	GB71GCTP1232DH	7031554	39	UDW0090SKA201LN-61	6301607	69
GB7148C192G	7031492	49	GB71GCTP1232GR	7031555	39	UDW0090SKA201RN-61	6301608	69
GB7148C320E	7031487	49	GB71GCTP6016DH	7031603	39	UDW0100NAU221LN-01	6301556	67
GB7148DR10		41	GB71GCTP6016GR	7031604	39	UDW0100NAU221LN-61	6301566	67
GB7148DR60		41	GB71GCTP6032DH	7031605	39	UDW0100NAU221RN-01	6301557	67
GB7148DR80		41	GB71GCTP6032GR	7031606	39	UDW0100NAU221RN-61	6301567	67
GB7199H1CR096	7031549	44	GB71GCVU10DH00	7031643	38	UDW0100NAU222LN-01	6301581	68
GB7199H2CW096	7031564	44	GB71GCVU10GR00	7031644	38	UDW0100NAU222LN-61	6301595	68
GB7199H2CW128	7031565	44	GB71GCVU10WS00	7031618	38	UDW0100NAU222RN-01	6301582	68
GB7199H3LB096	7031551	44	GB71GCVU45DH00	7031635	38	UDW0100NAU222RN-61	6301596	68
GB7199H3LB128	7031563	44	GB71GCVU45GR00	7031636	38	UDW0100SKA200LN-61	6301624	69
GB7199H4BL128	7031559	44	GB71GCVU45WS00	7031589	38	UDW0100SKA200RN-61	6301625	69
GB7199H4BL160	7031562	44	GB71GCVU60DH00	7031637	38	UDW0100SKA201LN-61	6301609	69
GB7199H4BL224	7031569	44	GB71GCVU60GR00	7031638	38	UDW0100SKA201RN-61	6301611	69
GB7199H4CR128	7031558	44	GB71GCVU60WS00	7031595	38	UDW8080NOC120W-01	6318326	70
GB7199H4CR160	7031561	44	GB71GCVU80DH00	7031641	38	UDW8080NOC120W-61	6318315	70
GB7199H4CR224	7031568	44	GB71GCVU80GR00	7031642	38	UDW8080NOC185W-01	6318327	70
GB7199H5BL032	7031592	44	GB71GCVU80WS00	7031614	38	UDW8080NOC185W-61	6318316	70
GB7199H5BL128	7031567	44	GB8118000002	7031022	121	UDW9090NAC120W-01	6318328	70
GB7199H5WH032	7031591	44	GB8128000100	7031019	121	UDW9090NAC164W-01	6318338	70
GB7199H5WH128	7031566	44	GB8148300001	7031035	121	UDW9090NAC164W-61	6318346	70
GB7199H6BR020	7031588	44	GB88170401	6026755	34	UDW9090NAC185W-01	6318339	70
GB7199K1PB000	7031585	44	GB88170701	6026758	34	UDW9090NAC185W-61	6318347	70
GB7199K2CR000	7031573	44	GB88170801	6026759	34	UDW9090NOA120W-61	6318318	70
GB7199K3BB000	7031612	44	GB88171101	6026763	20	UDW9090NOC185W-61	6318319	70
GB7199K3BC000	7031611	44	GB88171201	6026764	20	UDWDOORKNOBW-61	129, 131, 133, 135, 137, 139, 141, 143	
GB7199K4CR000	7031576	44	GB881712101	6025968	20			
GB7199K5BR000	7031571	44	GB88171301	6026765	20	UPGUALPALCV	137	
GB7199K5CU000	7031572	44	GB88171401	6026766	20	UPGUALPD	135	
GB7199K6BL000	7031574	44	GB88171501	6026767	20	UPGUALPQ	133	
GB7199K6WH000	7031575	44	GB88171701	6026769	20	UPGUBPP90-01	141	
GB71A47900E4	7031533	37	GB88301801	6025628	20	UPGUBPP90-61	141	
GB71A47900E9	7031534	37	GB88305100	6025705	20	UPGUCCCT-01	131	
GB71A671AGDH	7031288	46	GB88305101	6025611	20	UPGUCCCT-61	131	
GB71A671CWDH	7031287	46	GB88305500	6025636	20	UPGUCURSP	139, 143	
GB71A671GBDH	7031389	46	GB88305501	6025637	20	UPGUED01020	129, 133, 139, 141, 143	
GB71A672AGDH	7031293	46	GB88306000	6025758	93	UPGUED01024	131, 135	
GB71A672CWDH	7031292	46	GB88306001	6025429	20	UPGUED02063D-01	129, 131	
GB71A672GBDH	7031391	46	GB88306004	6025431	20	UPGUED02099	135	
GB71A673AGDH	7031279	47	GB88306015	6025432	20	UPGUED03030	129, 131, 141	
GB71A673CWDH	7031278	47	GB88306036	6025434	20	UPGUFY-011	133, 135, 137	
GB71A673GBDH	7031387	47	GB88306051	6025759	97	UPGUFY002-01	129, 131	
GB71A674AGDH	7031284	47	GB8830700001	6025662	16	UPGUFY002-61	129, 131	
GB71A674CWDH	7031283	47	GB8830701001	6025663	16	UPGUGHD	139, 141, 143	
GB71A674GBDH	7031388	47	GB8830709101	6025664	16	UPGUHWP-01	6301639	
GB71A903AGDH	7031374	45	U90600361	6030267	65, 81	UPGUHWP-61	6301641	
GB71A903CWDH	7031376	45	UCCOM1003		65	UPGUINSKALC	67, 68	
GB71A903GBDH	7031375	45	UCSPM0004		145	UPGUINSKBW-01	137	
GB71A904AGDH	7031377	45	UCSPM0004-01		145	UPGUINSKBW-61	139, 141	
GB71A904CWDH	7031379	45	UCSPM0021-00		145	UPGUINSKCU-01	139, 141	
GB71A904GBDH	7031378	45	UCSPM0021-01		145	UPGUINSKCU-61	139, 143	
GB71A905AGDH	7031381	46	UCSPM0022-01		145	UPGUINSKGD-01	139, 143	
GB71A905CWDH	7031383	46	UCSPM0052		145	UPGUINSKGD-61	131	
GB71A905GBDH	7031382	46	UCSPM0066		145	UPGUINSKGO-01	129	
GB71B032E4WB	7031535	37	UCSPM0077		145	UPGUINSKGO-61	129	
GB71B032E4WBN	7031537	37	UCSPM0079		145	UPGUINSKJD-61	133, 135	
GB71B032E9WB	7031536	37	UCSPM0089		145	UPGUINSKLQ-01	141	
GB71B03300E4	7031531	37	UCTAP0259		139, 141	UPGUINSKLQ-61	141	
GB71B03300E9	7031532	37	UDL0805NOC1W-01	6318317	70	UPGUMAGSP	137	
GB71GCDR10	7031617	38	UDL0905NAC4W-01	6318345	70, 141	UPGUPCC80-01	143	
GB71GCDR45	7031587	38	UDL0905NOA1W-01	6318325	70, 139	UPGUPCC90-01	139	
GB71GCDR60	7031594	38	UDW0070LOG170W-61	6301633	71	UPGUPCC90-61	139, 143	
GB71GCDR80	7031613	38	UDW0080LOG170W-61	6301635	71	UPGURSPG-6	129, 141	
GB71GCMC10DH	7031633	40	UDW0080NAU221LN-01	6301552	67	UPGURSPG-8	131	
GB71GCMC10GR	7031683	40	UDW0080NAU221LN-61	6301562	67	UPGUSWD-6	133	
GB71GCMC45DH	7031625	40	UDW0080NAU221RN-01	6301553	67	UPGUSWD-8	135, 137	
GB71GCMC45GR	7031686	40	UDW0080NAU221RN-61	6301563	67	UPGUSWD-8-L	133, 137	
GB71GCMC60DH	7031626	40	UDW0080NAU222LN-01	6301576	68	UPGUTFQ	141	
GB71GCMC60GR	7031685	40	UDW0080NAU222LN-61	6301591	68	UPGUTFS	139, 143	
GB71GCMC80DH	7031629	40	UDW0080NAU222RN-01	6301577	68	UPGUTHJ	133, 135, 137	
GB71GCMC80GR	7031684	40	UDW0080NAU222RN-61	6301592	68	UPGUWH-6-61/2	129, 131, 139, 141, 143	
GB71GCS6016DH	7031596	39	UDW0080SKA200LN-61	6301619	69	UPGUWH-8-61/2	131	
GB71GCS6016GR	7031597	39	UDW0080SKA200RN-61	6301621	69	UPGUYDG262-337	6301543	
GB71GCS6016WS	7031598	39	UDW0080SKA201LN-61	6301605	69	UPGUYDG262-69-01	143	
GB71GCS6032DH	7031599	39	UDW0080SKA201RN-61	6301606	69	UPGUYDG262-69-61	143	
GB71GCS6032GR	7031601	39	UDW0090NAU221LN-01	6301554	67			
GB71GCS6032WS	7031602	39	UDW0090NAU221LN-61	6301564	67			

## Gulvklosetter

	NRF. NR.	ART. NR.	VEIL. PRIS EKS. MVA.	VEIL. PRIS INKL. MVA.
	6022909	GB113500301203	2.485	3.106
<p>Nordic³ 3500 klosett, skjult S-lås, 3/6 ltr.</p>				
	6022926	GB113510301203	2.774	3.468
<p>Nordic³ 3510 klosett, P-lås, 3/6 ltr.</p>				
	6023016 6023017 6023018 6023011 6023012 6023013 6022296 6022959	GB115500601203 GB1155006R1204 GB115500601203G GB115500301203 GB1155003R1204 GB115500301203G GB115500201201 GB1155006R140P	2.838 3.601 2.980 2.838 3.733 2.980 2.998 3.733	3.548 4.501 3.725 3.548 4.666 3.725 3.748 4.666
<p>Nautic klosett 5500, skjult S-lås</p> <p>6 ltr 6 ltr, C+ ltr, u/skruehull f/liming 3/6 ltr 3/6 ltr, C+ 3/6 ltr, u/skruehull, f/liming 2/4 ltr, S-lås u/sete 6 ltr, u/sete, C+ m/ vandalsikker trykknapp</p>				
	6023024 6023021 6023022 6023023 6022602	GB115510601203 GB115510301203 GB1155103R1203 GB1155103R123R GB115510201201	3.270 3.285 4.038 4.724 3.285	4.088 4.106 5.048 5.905 4.106
<p>Nautic klosett 5510, skjult P-lås</p> <p>6 ltr 3/6 ltr 3/6 ltr, C+ 3/6 ltr, m/hvitt hardplast sete m/SC/QR, med C+ 2/4 ltr.</p>				
	6022957 6022958 6022955 6022956 6022601	GB115546601203 GB1155466R1205 GB115546301203 GB1155463R1204 GB115546201201	4.602 5.447 4.602 5.447 4.602	5.753 6.809 5.753 6.809 5.753
<p>Nautic klosett 5546, skjult S-lås, høy modell</p> <p>6 ltr 6 ltr, C+ 3/6 ltr 3/6 ltr, C+ 2/4 ltr</p>				
	6023027 6023028 6023025 6023026 6022297	GB115591601203 GB1155916R1203 GB115591301203 GB1155913R1203 GB115591201201	2.859 3.955 2.859 4.334 2.863	3.574 4.944 3.574 5.418 3.579
<p>Nautic klosett 5591, åpen S-lås, stor fot</p> <p>6 ltr 6 ltr, C+ 3/6 ltr 3/6 ltr, C+ 2/4 ltr</p>				

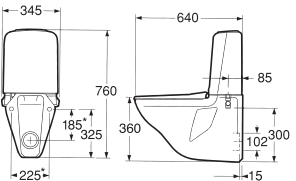
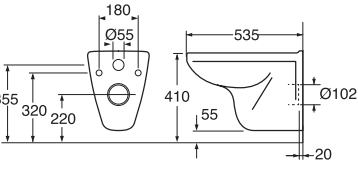
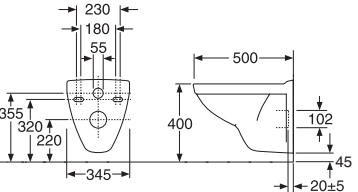
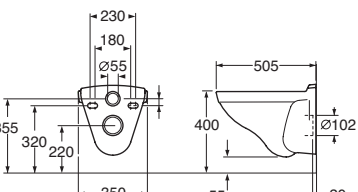
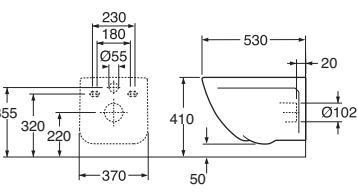
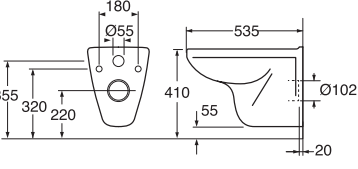
**Gulvklosetter med Hygienic Flush**

	NRF. NR.	ART. NR.	VEIL. PRIS EKS. MVA.	VEIL. PRIS INKL. MVA.
<p><b>Nautic 1500 Hygienic Flush</b> Klosett med skjult S-lås og åpen spylekant</p> <p>2/4 ltr u/sete 2/4 ltr u/sete, C+ 2/4ltr m/sete SC/QR, C+</p>	6022943 6022944 6022298	GB111500201304 GB1115002R1304 GB1115002R1331G	3.120 3.927 4.974	3.900 4.909 6.218
<p><b>Nautic 1510 Hygienic Flush</b> Klosett med skjult P-lås og åpen spylekant</p> <p>2/4 ltr u/sete 2/4 ltr u/sete, C+ 4 ltr u/sete, m/ høy spyleknapp</p>	6022301 6022307 6022302	GB111510201304 GB1115102R1304 GB111510401205	3.613 4.441 3.598	4.517 5.552 4.497
<p><b>Nautic 1546 Hygienic Flush</b> Klosett med skjult S-lås og åpen spylekant, høy modell</p> <p>2/4 ltr u/sete 2/4 ltr u/sete, C+ 4 ltr u/sete</p>	6023039 6023041 6023042	GB111546201203 GB1115462R1203 GB111546401205	5.063 5.991 5.063	6.328 7.489 6.328
<p><b>Nautic 1591 Hygienic Flush</b> Klosett med åpen S-lås og åpen spylekant, stor fot</p> <p>2/4 ltr u/sete</p>	6022308	GB11159120203	2.517	3.147
<p><b>Estetic 8300 med skjult S/P-lås, u/skruehull, for liming.</b> Klosett med åpen spylekant, 2/4 ltr, C+</p> <p>Hvit inkl sete med SC/QR Matt hvit inkl sete med SC/QR Sort inkl sete med SC/QR</p> <p><b>Estetic 8300 med skjult S/P-lås, m/skruehull.</b> Klosett med åpen spylekant, 2/4 ltr, C+</p> <p>Hvit inkl sete med SC/QR Hvit inkl sete med faste hengsler Matt hvit inkl sete med SC/QR For sort modell, velg 830 for liming.</p>	6022977 6022978 6022979  6022981 6022983 6022982	GB1183002R1231G GB1183002S3231G GB1183002S0231G  GB1183002R1231 GB1183002R1221 GB1183002S3231	5.655 7.069 7.069  5.682 6.422 7.069	7.069 8.836 8.836  7.103 8.028 8.836

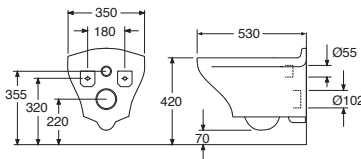
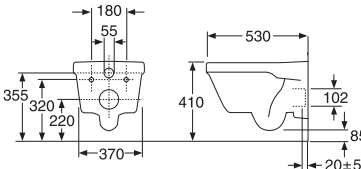
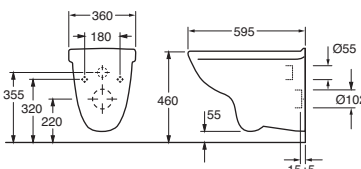
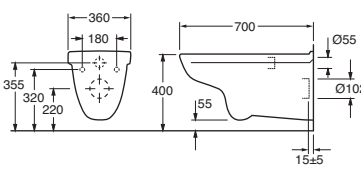
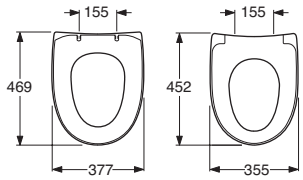
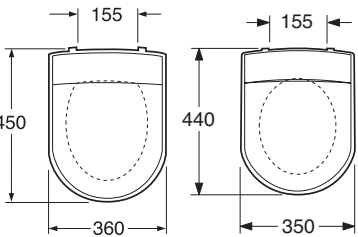
	NRF. NR.	ART. NR.	VEIL. PRIS EKS. MVA.	VEIL. PRIS INKL. MVA.
<p><b>Artic klosett 4300, S-lås, m/sete SC/QR</b>            3/6 ltr. m/sete SC/QR            3/6 ltr. m/sete SC/QR, C+</p>	6022914 6022929	GB114300301231 GB1143003R1231	5.522 6.274	6.903 7.843
<p><b>Artic klosett 4310, P-lås, m/sete SC/QR</b>            3/6 ltr. m/sete SC/QR</p>	6022915	GB114310301231	5.522	6.903
<p><b>Nordic klosett 398, m/P-lås, ekstra kort</b>            3/6 ltr</p>	6022984	GB1039830104	5.072	6.340
<p><b>Barneklosett 305, S-lås, m/hvitt sete u/lokk</b>            6 ltr. m/hvitt standardsete, u/lokk</p>	6022911	GB1030510152	5.776	7.220
<b>Tilleggsutstyr klosetter</b>				
<p>Vandalsikker trykknapp, enkelspyling, Rustfritt/sort</p>	6025669	GB19299NV036	844	1.055
<p><b>Forhøyningssokler på +6 cm</b>            Passer til klosett 2300            Passer til klosett 2310</p>	6025701 6025704	GB1927634600 GB1927569710	1.548 1.548	1.935 1.935



	NRF. NR.	ART. NR.	VEIL. PRIS EKS. MVA.	VEIL. PRIS INKL. MVA.
<p><b>Forhøyningssokler på +4 cm</b> Passer til Nautic klosett 5500</p>	6025662	GB8830700001	1.548	1.935
<p>Passer til Nautic klosett 5510</p>	6025663	GB8830701001	1.548	1.935
<p>Passer til Nautic klosett 5591</p>	6025664	GB8830709101	1.548	1.935
<p>Monteringsstativ f/vegghengt klosett og bide. <b>Kun veggfester.</b> <b>Tilleggsutstyr klosetter</b></p>	6023007	GB19211000510	1.451	1.814
	6025675 6025669	GB1929900503 GB19299NV036	117 844	146 1.055
<b>Veggmonterte klosetter</b>				
<p><b>Nautic 1522 Hygienic Flush</b> Veggskål med utvendig sisterne Åpen spylekant og høy spyleknapp</p>	6023037 6023036 6023038	GB111522201203 GB1115222R1203 GB111522401205	4.975 5.783 4.975	6.219 7.229 6.219
<p><b>Nautic 5522</b> Veggskål med utvendig sisterne</p>	6023649 6023651 6023647 6023648 6022946 6023007	GB115522601203 GB1155226R1205 GB115522301203 GB1155223R1205 GB115522201203 GB19211000510	4.523 5.257 4.523 5.257 1.451	5.654 6.571 5.654 6.571 1.814

	NRF. NR.	ART. NR.	VEIL. PRIS EKS. MVA.	VEIL. PRIS INKL. MVA.
 <p><b>GB 339 veggskål, m/utv.sisterne</b></p> <p>6 ltr, skjult P-lås 3/6 ltr., skjult P-lås Monteringsstativ f/vegghengt klosett og bide. Kun veggfester.</p>	6022925 6022924 6023007	GB1033920104 GB1033930104 GB19211000510	5.908 5.962 1.451	7.385 7.453 1.814
* Utbyesmodell. Anslutningsmått enl. tidligere Svensk standard				
<b>Veggskåler</b>				
 <p><b>Nordic<sup>3</sup> veggskål 3530</b></p>	6023613	GB113530001000	1.327	1.659
 <p><b>Nautic veggskål 5530</b></p> <p>5530 veggskål 5530 veggskål, C+</p>	6023034 6023035	GB115530001000 GB1155300R1000	1.442 2.190	1.803 2.738
 <p><b>Logic veggskål 5693, m/hvitt lux-sete</b></p> <p>5693 5693, C+</p>	6023001 6023002	56939901 569399R1	2.620 4.039	3.275 5.049
 <p><b>Artic veggskål 4330</b></p> <p>Med hvitt sete, SC/QR Med hvitt sete, SC/QR, C+ Sort veggskål med sort hardplast sete med SC/QR. Med C+</p>	6022916 6022932	GB114330201231 GB1143302R1231 GB114330BLACK	4.174 4.925 7.103	5.218 6.156 8.879
 <p><b>Saval 2.0 veggskål</b></p>	6023612	7G061001	1.152	1.440

**Veggskåler med Hygienic Flush**

	NRF. NR.	ART. NR.	VEIL. PRIS EKS. MVA.	VEIL. PRIS INKL. MVA.	
 <p><b>Estetic 8330 med åpen spylekant, C+</b></p> <p>Hvit inkl sete med SC/QR                      Matt hvit inkl sete med SC/QR                      Sort inkl sete med SC/QR                      Hvit inkl sete med faste hengsler</p>	6023652 6023653 6023654 6023655	GB1183300R1030 GB1183300S3030 GB1183300S0030 GB1183300R1020	4.171 5.215 5.215 3.863	5.214 6.519 6.519 4.829	
 <p><b>Hygienic Flush 5G84 med åpen spylekant</b></p> <p>Uten sete                      Med hvitt soft-Close og Quick-release sete</p>	6022997 6022998	5G84R001 5G84HR01	1.937 3.031	2.421 3.789	
 <p><b>Care 4G95 Hygienic Flush</b>                      Med åpen spylekant, 46cm høy modell</p> <p>Uten sete</p>	6023618	4G95R001	2.998	3.748	
 <p><b>Care 4G01 Hygienic Flush</b>                      Med åpen spylekant, 70cm lang modell</p> <p>Uten sete</p>	6023617	4G01R001	3.262	4.078	
<b>Klosettseter</b>					
<b>Seter til Nordic<sup>3</sup>/Saval 2.0</b>					
	Nordic <sup>3</sup> hvitt propensete Hvitt hardplastsete Hvitt soft-Close og Quick-release sete	6025456 6096502	9M646101 8780G101 8780S101	210 572 1.009	263 715 1.262
 <p><b>Passer til samtlige klosetter i Nautic-serien</b></p> <p>Standard propensete, hvit                      Lux-sete, hardplast, hvitt, rustfrie fester                      Lux-sete, hardplast, hvitt, SC/QR                      Lux-sete, hardplast, sort, SC/QR</p>	6025425 6025426 6025427 6025428	9M246101 9M256101 9M26S101 9M26S136	217 653 1.042 1.380	271 816 1.303 1.725	
 <p><b>Logic klosettseter</b></p> <p>Hardplast, hvitt, rustfrie fester                      Hardplast, hvitt, SC                      Hardplast, sort, SC</p>	6025517 6025511 6025404	9M016101 9M11S101 9M11S136	823 1.200 1.571	1.029 1.500 1.964	

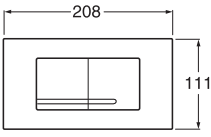
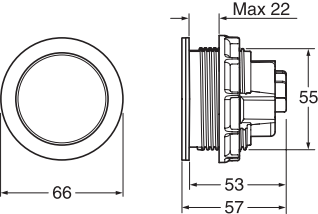
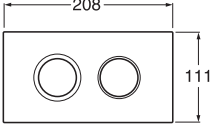
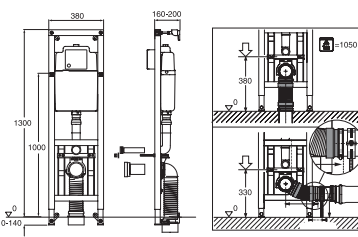
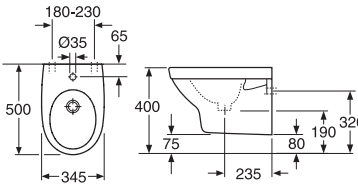
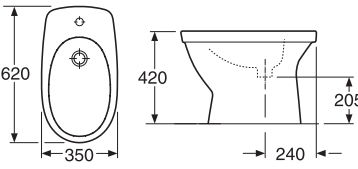
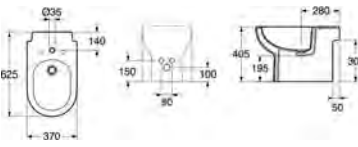
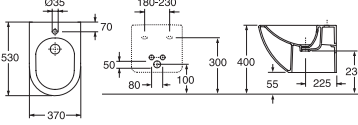
		NRF. NR.	ART. NR.	VEIL. PRIS EKS. MVA.	VEIL. PRIS INKL. MVA.
	<b>9M10 Estetic gulvklosettsete</b> Hvit hardplastsete med SC/QR Matt hvit hardplastsete med SC/QR Sort hardplastsete med SQ/QR Hvit hardplastsete med faste hengsler	6025459 6025462 6025461 6025463	9M10S101 9M10S1S3 9M10S136 9M106101	1.410 1.966 1.966 1.012	1.763 2.458 2.458 1.265
		<b>9M09 Estetic veggskålsete</b> Hvit hardplastsete med SC/QR Matt hvit hardplastsete med SC/QR Sort hardplastsete med SQ/QR Hvit hardplastsete med faste hengsler	6025464 6025466 6025465 6025467	9M09S101 9M09S1S3 9M09S136 9M096101	1.295 1.874 1.874 994
	<b>Sete til Care 4G01/4G95</b> Hvit hardplastsete med faste hengsler Hvit hardplastsete med SC/QR	6025469 6025445	9M676101 9M38S101	1.335 927	1.669 1.159
	<b>Artic/HygienicFlush</b> hardplastsete med SC/QR Hvitt Sort	6025508 6025509	9M16S101 9M16S136	1.593 1.966	1.991 2.458
	<b>Kompletterende seter</b> <b>Nordic seter til 390-serien</b> Propensete, hvitt, m/lokk Hvitt lux-sete m/rustfrie fester f/390. Butikkpakk. Sort lux-sete m/rustfrie fester f/390. Butikkpakk. Hvitt f/390 m/plastfester. Butikkpakk. Hvitt propensete f/325 Hvitt propensete f/305, m/lokk Hvitt propensete f/305, u/lokk Hvitt propensete f/315 Hardplast lux-sete f/325, m/lokk  <i>Setene passer til 2300, 2310, 2320, 2330, 2350 og 2391</i> Standard propensete, hvit Lux-sete, hvitt, rustfrie fester Hardplastsete, hvitt, rustfrie fester Lux-sete, hvitt, SC Lux-sete, sort, SC	6025412 6025414 6025514 6025421 6025411 6025406 6025407 6025408 6025415	GB1919901702 GB1919901950 GB1919901960 GB1919901201 GB1929900226 GB1919900910 GB1919901286 GB1929900227 GB1919901900  GB1919902002 GB1919902070 GB1919901211 GB1919902055 GB1919902065	210 823 1.216 545 281 1.076 281 320 858  210 815 544 1.042 1.309	263 1.029 1.520 681 351 1.345 351 400 1.073  263 1.019 680 1.303 1.636
	Hardplast, hvitt, rustfrie fester Hardplast, sort, rustfrie fester	6025419 6025513	GB1919901601 GB1919901610	1.216 1.445	1.520 1.806



Care Basic	NRF. NR.	ART. NR.	VEIL. PRIS EKS. MVA.	VEIL. PRIS INKL. MVA.		
	Nordic armstøtte f/2300 serien med hvitt sete	6025611	GB88305101	4.748	5.935	
	Nordic armstøtte f/2300- serien uten sete	6025705	GB88305100	4.030	5.038	
	Nautic Care 3055 armstøtte f/5500-serien u/ sete	6025636	GB88305500	3.577	4.471	
	Nautic 3055 armstøtte f/5500-serien m/hvitt sete	6025637	GB88305501	4.259	5.324	
	Nautic 3060 Care sete Diana, hvitt	6025429	GB88306001	1.196	1.495	
	Nautic 3060 Care sete Diana, rød	6025431	GB88306004	1.196	1.495	
	Nautic 3060 Care sete Diana, blått	6025432	GB88306015	1.196	1.495	
	Nautic 3060 Care sete Diana, sort	6025434	GB88306036	1.196	1.495	
	1711 Armstøtte u/støtteben f/veggmontering	6026763	GB88171101	2.512	3.140	
		1712 Armstøtte m/støtteben f/veggmontering 90,5 cm høy	6026764	GB88171201	2.344	2.930
		1712 Armstøtte m/støtteben f/veggmontering 80 cm høy	6025968	GB881712101	2.344	2.930
	1713 Armstøtte m/teleskopben f/veggmontering	6026765	GB88171301	3.301	4.126	
	Papirholder f/armstøtte	6026766	GB88171401	319	399	
	Papirholder f/Nordic/Nautic-armstøtte	6025628	GB88301801	174	218	
	Papirholder f/Nordic/Nautic-armstøtte	6025628	GB88301801	174	218	
	Papirholder f/armstøtte	6026766	GB88171401	319	399	
	Støtتهåndtak 306 mm	6026767	GB88171501	268	335	
	Støtتهåndtak 612 mm	6026769	GB88171701	396	495	

**Triomont innbyggingsystemer og trykkplater for veggmonterte klosetter**

	NRF. NR.	ART. NR.	VEIL. PRIS EKS. MVA.	VEIL. PRIS INKL. MVA.
	<b>Triomont XS, høy modell</b>			
	6025926	GB1921102020	2.652	3.315
	6025641	GB1921102021	3.171	3.964
	6025927	GB1921102027	210	263
	6025928	GB1921102029	210	263
	6025626	GB1921100394	337	421
	<b>Mekaniske trykkplater: Triomont XS, 3/6 ltr.</b>			
	6025933	GB1921102035	383	479
	6025934	GB1921102036	535	669
	6025935	GB1921102037	493	616
	6025939	GB1921102045	1.656	2.070
	6025942	GB1921102047	1.865	2.331
	6025647	GB1921102052	394	493
	6025648	GB1921102053	505	631
	6025649	GB1921102054	1.733	2.166
	6025823	GB1921102055	1.733	2.166
	<b>Triomont XS, 6 ltr.</b>			
	6025929	GB1921102030	383	479
	6025931	GB1921102031	535	669
	6025932	GB1921102032	493	616
	6025936	GB1921102040	1.656	2.070
6025938	GB1921102042	1.865	2.331	
6025645	GB1921102050	396	495	
6025646	GB1921102051	505	631	
	<b>Pneumatisk trykknapp til Triomont XS, 6 ltr.</b>			
	6025659	GB1921102092	718	898
	<b>Pneumatisk trykkplate til Triomont XS, 3/6 ltr,</b>			
	6025651	GB1921102060	545	681
	6025652	GB1921102061	718	898
	6025653	GB1921102066	1.979	2.474
	6025654	GB1921102067	1.979	2.474
	<b>Triomont XT, lav modell</b>			
	6025643	GB1921102024	2.815	3.519
	6025644	GB1921102025	3.334	4.168
6025927	GB1921102027	210	263	
6025928	GB1921102029	210	263	
6025626	GB1921100394	337	421	

	NRF. NR.	ART. NR.	VEIL. PRIS EKS. MVA.	VEIL. PRIS INKL. MVA.
 <p><b>Mekaniske trykkplater f/toppmontering til Triomont XT, lav modell</b></p> <p>3/6 ltr, hvit, plast 3/6 ltr, blank krom, plast</p>	6025655 6025656	GB1921102080 GB1921102081	396 505	495 631
 <p><b>Pneumatisk trykknapp f/veggmontering til Triomont XS og XT</b></p> <p>6 ltr, rustfritt stål</p>	6025659	GB1921102092	718	898
 <p><b>Pneumatisk trykkplate til Triomont XT lav modell</b></p> <p>3/6 ltr, hvit, plast 3/6 ltr, blank krom, plast</p>	6025657 6025658	GB1921102085 GB1921102086	545 718	681 898
 <p><b>Triomont XS Vario for mekaniske trykkplater (se XS monteringsstativ) for veggmontering Justerbar høyde av klosettet etter montering.</b></p> <p>Høy modell for montering mot vegg eller i hjørne Monteringssett; veggfester Monteringssett for hjørnemontering</p>	6025642 6025927 6025928	GB1921102022 GB1921102027 GB1921102029	6.931 210 210	8.664 263 263
<b>Bidéer</b>				
 <p><b>5598 Nautic bidé</b></p> <p>for veggmontering for veggmontering, C+</p>	6028611 6028612	55989901 559899R1	3.559 4.338	4.449 5.423
 <p><b>5599 Nautic bidé</b></p> <p>for gulvmontering for gulvmontering, C+</p>	6028613 6028614	55999901 559999R1	3.096 3.876	3.870 4.845
 <p><b>4100 Artic bidé</b></p> <p>for gulvmontering for gulvmontering, C+</p>	6028604 6028607	GB1141000100 GB114100R100	4.037 4.788	5.046 5.985
 <p><b>4130 Artic bidé</b></p> <p>for veggmontering for veggmontering, C+</p>	6028605 6028608	GB1141300100 GB114130R100	4.037 4.788	5.046 5.985

**Urinaler**

	NRF. NR.	ART. NR.	VEIL. PRIS EKS. MVA.	VEIL. PRIS INKL. MVA.	
	7G50 urinal, inkl. festedetaljer åpen vanntilkobling	6030004	7G500001	2.671	3.339
	Vannlås f/gulv (vertikalt)	6028622	93270000	532	665
	Vannlås f/vegg (horisontalt)	6028621	93260000	536	670
	7G51 urinal, inkl. festedetaljer skjult vanntilkobling	6030005	7G510001	2.671	3.339
	Vannlås f/gulv (vertikalt)	6028622	93270000	532	665
	Vannlås f/vegg (horisontalt)	6028621	93260000	536	670
	9932 00 Tilkoblingsnippel for åpen vanntilkobling	6030037	99320000	190	238
	9933 00 Tilkoblingsrør for skjult vanntilkobling	6030038	99330000	328	410

**Nordic<sup>3</sup> servanter**

	Nordic <sup>3</sup> servant for bolt/bærejern 500x370 mm	6021222	41005001	618	773
--	---	---------	----------	-----	-----

	Nordic <sup>3</sup> servant for bolt/bærejern 550x440 mm	6021223	41005501	556	695
--	---	---------	----------	-----	-----

SANITÆRPORSELEN

## Nautic servanter

	NRF. NR.	ART. NR.	VEIL. PRIS EKS. MVA.	VEIL. PRIS INKL. MVA.		
	<b>5540 Nautic servant for boltmontering 400x275 mm</b>					
		armaturhull høyre	6020201	55409R01	979	1.224
		armaturhull høyre, C+	6020202	55409RR1	1.731	2.164
		armaturhull venstre	6020203	55409L01	979	1.224
		armaturhull venstre, C+	6020204	55409LR1	1.731	2.164
		u/armaturhull u/armaturhull, C+	6020205 6020206	55409701 554097R1	979 1.731	1.224 2.164
	<b>5550 Nautic servant for bolt/bærejern 500x380 mm</b>					
		med armaturhull	6020207	55509901	676	845
		med armaturhull, C+	6020208	555099R1	1.402	1.753
		uten armaturhull	6020209	55509701	929	1.161
		uten armaturhull, C+	6020211	555097R1	1.682	2.103
		uten overløp	6020212	55509801	929	1.161
		uten overløp, C+	6020213	555098R1	1.682	2.103
		uten armaturhull og overløp uten armaturhull og overløp, C +	6020214 6020215	55509M01 55509MR1	929 1.682	1.161 2.103
	<b>5556 Nautic servant for bolt/bærejern 560x430 mm</b>					
		med armaturhull	6020216	55569901	641	801
		med armaturhull, C+	6020217	555699R1	1.342	1.678
		uten armaturhull	6020218	55569701	796	995
		uten armaturhull, C+	6020219	555697R1	1.549	1.936
		uten overløp	6020221	55569801	796	995
		uten overløp, C+	6020222	555698R1	1.549	1.936
		uten armaturhull og overløp uten armaturhull og overløp, C +	6020223 6020224	55569M01 55569MR1	796 1.549	995 1.936
	<b>5560 Nautic servant for bolt/bærejern 600x460 mm</b>					
		med armaturhull	6020225	55609901	796	995
		med armaturhull, C+	6020226	556099R1	1.549	1.936
		uten armaturhull	6020227	55609701	796	995
		uten armaturhull, C+	6020228	556097R1	1.549	1.936
		uten overløp	6020229	55609801	796	995
		uten overløp, C+	6020231	556098R1	1.549	1.936
		uten armaturhull og overløp uten armaturhull og overløp, C+	6020232 6020233	55609M01 55609MR1	796 1.549	995 1.936
	<b>5565 Nautic servant for bolt/bærejern-montering, 650x500 mm</b>					
		med armaturhull	6020234	55659901	1.769	2.211
		med armaturhull C+	6020235	556599R1	2.521	3.151
		uten armaturhull	6020236	55659701	1.769	2.211
		uten armaturhull, C+	6020237	556597R1	2.521	3.151
		uten overløp	6020238	55659801	1.769	2.211
		uten overløp, C+	6020239	556598R1	2.521	3.151
		uten armaturhull og overløp uten armaturhull og overløp, C+	6020241 6020242	55659M01 55659MR1	1.769 2.521	2.211 3.151



	NRF. NR.	ART. NR.	VEIL. PRIS EKS. MVA.	VEIL. PRIS INKL. MVA.
	<b>5570 Nautic servant for bolt/bærejern 700x500 mm</b>			
	med armaturhull			
	med armaturhull, C+			
	uten overløp			
	uten overløp, C+			
	uten armaturhull og overløp			
uten armaturhull og overløp, C+				
	<b>5545 Nautic oval servant for nedfelling 450x360 mm</b>			
	for nedfelling			
	for nedfelling, C+			
	uten overløp			
	uten overløp, C+			
	<b>5555 Nautic oval servant for nedfelling 550x440 mm</b>			
	for nedfelling			
	for nedfelling, C+			
	uten overløp			
	uten overløp, C+			
<b>Nautic servanter og søyler</b>				
	<b>5562 Nautic heldekkende servant 620x500 mm</b>			
	heldekkende servant			
	heldekkende servant, C+			
	uten overløp			
	uten overløp, C+			
	<b>5592 Nautic heldekkende servant 920x500 mm</b>			
	heldekkende servant			
	heldekkende servant, C+			
	uten overløp			
	uten overløp, C+			
	<b>5512 Nautic heldekkende servant 1220x500 mm</b>			
	heldekkende servant			
	heldekkende servant, C+			
	uten overløp			
	uten overløp, C+			

	NRF. NR.	ART. NR.	VEIL. PRIS EKS. MVA.	VEIL. PRIS INKL. MVA.
<p>2920 Nautic søyle i porselen til servant 5550, 5556, 5560 og 5570</p>	6020703	GB1129200100	1.854	2.318
<p>2930 Nautic halvsøyle i porselen til servant 5556, 5560, 5565 og 5570</p>	6021127	GB1129300100	1.792	2.240
<p>5295 Nautic halvsøyle i porselen til servant 5550</p>	6020711	52959901	1.792	2.240
<h3>Estetic servanter og søyler</h3>				
<p>Estetic for boltmontering, C+ 500x420 mm</p> <p>Hvit Matt hvitt Sort</p>	6020181 6020182 6020183	410350R1 410350S3 410350S0	2.434 3.043 3.043	3.042 3.803 3.803
<p>Estetic for boltmontering, C+ 610x485 mm</p> <p>Hvit Matt hvitt Sort</p>	6020184 6020185 6020186	410360R1 410360S3 410360S0	2.549 3.187 3.187	3.187 3.984 3.984
<p>Estetic 7273 Helsøyle i porselen Til servant 410360 Servanten må monteres eksakt etter søylens høyde</p> <p>Hvit Matt hvitt Sort</p>	6020187 6020189 6020188	72730001 72730041 72730036	1.622 1.970 1.970	2.028 2.463 2.463
<p>Estetic 7297 Halvsøyle i porselen Til servant 410360</p> <p>Hvit Matt hvitt Sort</p>	6020191 6020193 6020192	72970001 72970041 72970036	1.854 2.318 2.318	2.318 2.897 2.897

## Artic servanter og søyler

	NRF. NR.	ART. NR.	VEIL. PRIS EKS. MVA.	VEIL. PRIS INKL. MVA.	
	4450 Artic håndvask for bolt/bærejern 450x370 mm  med overløp med overløp, C+	6020113 6020054	GB1144500101 GB114450R101	1.486 2.239	1.858 2.799
	4550 Artic håndvask for bolt/bærejern 550x440 mm  med overløp med overløp, C+	6020111 6020055	GB1145500101 GB114550R101	1.504 2.256	1.880 2.820
	4600 Artic servant for bolt/bærejern 600x465 mm  med overløp med overløp, C+	6020115 6020056	GB1146000101 GB114600R101	1.611 2.363	2.014 2.954
	4650 Artic servant for bolt/bærejern 650x490 mm  med overløp med overløp, C+	6020114 6020057	GB1146500101 GB114650R101	2.017 2.769	2.521 3.461
	4551 Artic nedfellings servant 4551 Artic nedfellings servant, med C+ 4551 Artic nedfellings servant, sort	6020112 6020058	GB1145510101 GB114551R101 GB114551BLACK	1.765 2.518 3.874	2.206 3.148 4.842
	4601 Artic nedfellings servant 4601 Artic nedfellings servant, med C+	6020117 6020059	GB1146010101 GB114601R101	1.919 2.672	2.399 3.340

	NRF. NR.	ART. NR.	VEIL. PRIS EKS. MVA.	VEIL. PRIS INKL. MVA.
<p><b>Artic søyle/halvsøyle</b></p> <p>4920 søyle for servant 4550, 4600, 4650</p>	6020702	GB1149200100	1.165	1.456
<p>4930 halvsøyle for servant 4550, 4600, 4650</p>	6021126	GB1149300100	1.504	1.880
<p>4931 halvsøyle for håndvask 4450</p>	6021128	GB1149310100	1.504	1.880
<h3>Logic servanter og søyler</h3>				
<p><b>5393 Logic håndvask for bolt</b> 360x290 mm</p> <p>med overløp og hull høyre med overløp og hull høyre, C+ med overløp og hull venstre med overløp og hull venstre, C+</p>	6020132 6020133 6020134 6020135	53939R01 53939RR1 53939L01 53939LR1	897 1.651 897 1.651	1.121 2.064 1.121 2.064
<p><b>5197 Logic servant for bolt/bærejern</b> 500x265 mm</p> <p>med overløp og hull høyre med overløp og hull høyre, C+ med overløp og hull venstre med overløp og hull venstre, C+</p>	6020125 6020126 6020127 6020128	51979R01 51979RR1 51979L01 51979LR1	897 1.651 897 1.651	1.121 2.064 1.121 2.064
<p><b>5198 Logic asymmetrisk hjørneservant</b> for boltmontering, 570x370 mm</p> <p>med overløp med overløp, C+</p>	6020129 6020131	51989901 519899R1	1.034 1.788	1.293 2.235

	NRF. NR.	ART. NR.	VEIL. PRIS EKS. MVA.	VEIL. PRIS INKL. MVA.
<p><b>5193 Logic servant for bolt/bærejern 560x440 mm</b></p> <p>med overløb med overløb, C+</p>	6020121 6020122	51939901 519399R1	778 1.530	973 1.913
<p><b>5194 Logic servant for boltmontering 610x470 mm</b></p> <p>med overløb med overløb, C+</p>	6020123 6020124	51949901 519499R1	846 1.599	1.058 1.999
<p><b>2920 Logic søyle i porsele til servant 5193 og 5194</b></p>	6020703	GB1129200100	1.854	2.318
<p><b>2930 Logic halvsøyle i porsele til servant 5193 og 5194</b></p>	6021127	GB1129300100	1.792	2.240
<p><b>5295 Logic halvsøyle i porsele til servant 5198</b></p>	6020711	52959901	1.792	2.240



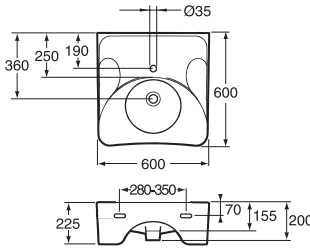
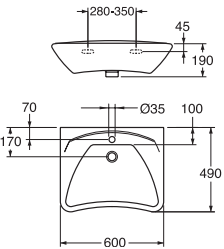
## Logic møbelservanter

	NRF. NR.	ART. NR.	VEIL. PRIS EKS. MVA.	VEIL. PRIS INKL. MVA.
<p><b>5169 Logic møbelservant f/bolter/skapmontering, 620x430 mm</b></p> <p>med overløb med overløb, C+</p>	6020143 6020144	51699901 516999R1	2.147 2.898	2.684 3.623
<p><b>5171 Logic møbelservant f/bolter/skapmontering, 920x430 mm</b></p> <p>med overløb med overløb C+</p>	6020145 6020146	51719901 517199R1	3.088 3.841	3.860 4.801
<p><b>5188 Logic møbelservant f/skapmontering, 1220x430 mm</b></p> <p>med overløb med overløb, C+</p>	6020147 6020148	51889901 518899R1	3.917 4.669	4.896 5.836
<b>Kompletterende servanter</b>				
<p><b>590-2 f/bolt/bærejern, 560x430mm med overløb</b></p>	6020064	GB1059020101	556	695
<p><b>590-3 f/bolt/bærejern, 490x360mm med overløb</b></p>	6020069	GB1059056101	617	771

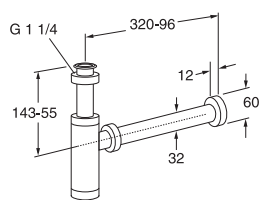
SANITÆRPORSELEN

	NRF. NR.	ART. NR.	VEIL. PRIS EKS. MVA.	VEIL. PRIS INKL. MVA.		
	6147 98	servant, oval, f/underliming 570x410mm	6020007	GB1561479801	2.583	3.229
	7127 99	servant, rund, f/underliming 445 mm	6020008	GB1571279901	2.278	2.848
	860-2	servant, med rørkonsoller, 600x455 mm 600x455 mm, C+ 940 Søyle f/servant 860-2	6020088	GB1086020161	3.468	4.335
	860-3	m/konsoller, u/overløp, 500x350 mm C+	6020706	GB1019400100	3.006	3.758
	7G28 60,	oval, f/nedfelling, 605x485mm	6020017	7G286001	1.705	2.131
	7G28 53,	oval, f/nedfelling, 535x440mm	6020016	7G285301	1.643	2.054
	6021913	Spennklammer f/montering 7G2860, 7G2853, bestill 2 stk. pr. servant	6021913	87070000	33	41

	NRF. NR.	ART. NR.	VEIL. PRIS EKS. MVA.	VEIL. PRIS INKL. MVA.
<p>6321 99 vask m/overløp, 500 x 400 mm</p>	6302991	GB1563219901	2.757	3.446
<p>6322 99 vask m/overløp, 600 x 500 mm 9428 overløpssett f/vask 6321, 6322</p>	6302992 6021909	GB1563229901 94281061	3.883 350	4.854 438
<p>7327 98 Hjørneservant, 555 x 450 mm f/bolt</p>	6020027	GB1573279801	1.926	2.408
<b>Sykehus/HC-servanter</b>				
<p>4G19 55 HC-servant m/overløps f/ bolt, 560x550 mm</p>	6020194	4G195501	3.237	4.046
<p>4G19 60 HC-servant m/overløps f/ bolt, 610x550 mm</p>	6020195	4G196001	3.419	4.274
<p>4G19 61 HC-servant u/overløps f/ bolt, 610x550 mm</p>	6020198	4G196101	3.419	4.274
<p>4G20 80 HC-servant m/overløp m/håndtak, f/ bolt, 800x550 mm</p>	6020196	4G208001	4.516	5.645
<p>5G78 60 HC-servant m/overløp f/ bolt, 600x490 mm</p>	6020197	5G786001	3.486	4.358

	NRF. NR.	ART. NR.	VEIL. PRIS EKS. MVA.	VEIL. PRIS INKL. MVA.	
	740-1 HC-servant, u/batterihull u/overløp f/bolt, 600x600 mm	6020019	GB1074010112	4.977	6.221
	740-1 HC-servant, m/batterihull m/overløp f/bolt, 600x600 mm	6020044	GB1074010101	4.443	5.554
	740-1 HC-servant, m/batterihull u/overløp f/bolt, 600x600 mm	6020043	GB1074010102	4.977	6.221
	7119 60 HC-servant u/overløp u/batterihull f/bolt, 600x490mm	6020021	GB157119600113	3.237	4.046
	7119 61 HC-servant u/overløp m/batterihull m/fleks.boltavst, 600x490mm	6020025	GB157119610105	3.816	4.770
	7119 63 HC-servant m/overløp m/batterihull f/bolt, 600x490mm	6020092	GB157119630110	3.419	4.274
	7119 99 HC-servant m/overløp m/sentrisk batterihull f/bolt, 700x560mm	6020028	GB157119990110	4.257	5.321
<b>(UTGÅENDE PRODUKT)</b>					

## Vannlåser



**3880 Vannlås for veggtilkobling**  
Består av en vannlås samt rør og hette for tilkobling mot vegg.

Krom  
Hvitt  
Sort

NRF. NR.

ART. NR.

 VEIL. PRIS  
EKS. MVA.

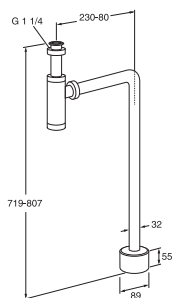
 VEIL. PRIS  
INKL. MVA.

6021905  
6020085  
6020084

GB41103880 00W  
GB41103880 41W  
GB41103880 23W

913  
1.808  
1.808

1.141  
2.260  
2.260



**3880 Vannlås for gulvtilkobling med L-rør.**  
Består av en vannlås samt L-rør og hette for tilkobling i gulv.  
Vannlåsen er spesielt egnet når avløpshullet er plassert nær vegg.

Krom  
Hvitt  
Sort

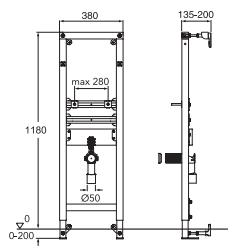
6021907  
6020087  
6020086

GB41103880 00L  
GB41103880 41L  
GB41103880 23L

1.102  
1.884  
1.884

1.378  
2.356  
2.356

## Tilbehør servant



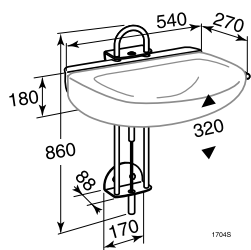
Triomont XS monteringsstativ for servant

6025661

GB1921102100

1.931

2.414



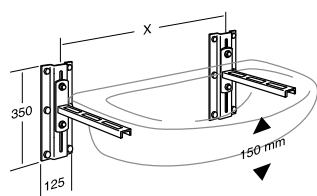
Servantløfter med gass-cylinder.  
Hev/senkbar 320 mm

6026755

GB88170401

10.536

13.170



Veggkonsoll f/boltmontert servant

6026758

GB88170701

2.511

3.139

Fleksibelt slangesett f/vann og avløp.  
Lengde 500 mm

6026759

GB88170801

1.370

1.713



**Baderomstilbehør G1**

	NRF. NR.	ART. NR.	VEIL. PRIS EKS. MVA.	VEIL. PRIS INKL. MVA.	
	G1-3822 Håndklestang, enkel	7031089	GB41103822 00	447	559
	G1-3823 Håndklestang, enkel	7031091	GB41103823 00	639	799
	G1-3827 Toalettpapirholderk	7031093	GB41103827 00	550	688
<p>G1 3830</p>	G1-3830 Toalettbørste med holder G3-3811 Reservebørste (passer også G1)	7031095	GB41103830 00 GB41103811 01	1.216 168	1.520 210
	G1-3839 Baderomshylle	7031097	GB41103839 00	1.090	1.363

## Baderomstilbehør G2

	NRF. NR.	ART. NR.	VEIL. PRIS EKS. MVA.	VEIL. PRIS INKL. MVA.
		G2-3844 Håndklehenger, krok	102	128
		G2-3847 Toalettppapirholder	198	248
<p>G2 3850</p>		G2-3850 Toalettbørste med holder G3-3811 Reservebørste (passer også G2)	552 168	690 210

## Nordic<sup>3</sup> baderomsmøbler

	NRF. NR.	ART. NR.	VEIL. PRIS EKS. MVA.	VEIL. PRIS INKL. MVA.
<p>Nordic<sup>3</sup> Servantskap med servant, 60x42/28 cm, hvit Høyglans</p>	7031535	GB71B032E4WB	2.192	2.740
<p>Nordic<sup>3</sup> Servantskap med servant, 60x42/28 cm, Lys Eik</p>	7031536	GB71B032E9WB	2.301	2.876
<p>Nordic<sup>3</sup> høyskap, 35x27 cm, hvit Nordic<sup>3</sup> høyskap, 35x27 cm, Lys Eik Nordic<sup>3</sup> Speilskap, 60x15 cm, skrog i hvitt Nordic<sup>3</sup> Speilskap, 60x15 cm, skrog i Lys Eik</p>	7031531 7031532 7031533 7031534	GB71B03300E4 GB71B03300E9 GB71A47900E4 GB71A47900E9	2.520 2.520 2.520 2.520	3.150 3.150 3.150 3.150
<h2>Nautic baderomsmøbler</h2>				
<p>Nautic Servantskap med servant, 57x44/28 cm, hvit høyglans</p>	7031537	GB71B032E4WBN	2.192	2.740
<p><b>Servant 5550 for bolt/bærejern, 500x380 mm</b></p> <p>Med armaturhull Med armaturhull, C+ Uten armaturhull Uten overløpshull Uten armaturhull og overløpshull</p> <p>A900 servantskap med venstrehengslet dør i hvit melamin, med fast hvit dekorlist</p>	6020207 6020208 6020209 6020212 6020214  7031371	55509901 555099R1 55509701 55509801 55509M01  A90000AG	676 1.402 929 929 929  	845 1.753 1.161 1.161 1.161  

## Graphic baderomsmøbler

	NRF. NR.	ART. NR.	VEIL. PRIS EKS. MVA.	VEIL. PRIS INKL. MVA.
<p>Graphic heldekkende servant, 450x410 mm</p> <p><b>Graphic servantskap med tre skuffer 450x410x565 mm</b></p> <p>Hvit glatt Grå glatt Hvit profilert</p> <p><b>Tilbehør</b></p> <p>Skuffeinnsats 450 mm, per stk</p>	6020286	4G014501	1.536	1.920
	7031635 7031636 7031589	GB71GCVU45DH00 GB71GCVU45GR00 GB71GCVU45WS00	5.664 6.048 6.048	7.080 7.560 7.560
	7031587	GB71GCDR45	768	960
<p>Graphic heldekkende servant, 600x410 mm</p> <p><b>Graphic servantskap med tre skuffer 600x410x565 mm</b></p> <p>Hvit glatt Grå glatt Hvit profilert</p> <p><b>Tilbehør</b></p> <p>Skuffeinnsats 600 mm, per stk</p>	6020287	4G016001	1.824	2.280
	7031637 7031638 7031595	GB71GCVU60DH00 GB71GCVU60GR00 GB71GCVU60WS00	5.760 6.720 6.720	7.200 8.400 8.400
	7031594	GB71GCDR60	768	960
<p>Graphic heldekkende servant, 800x410 mm</p> <p><b>Graphic servantskap med tre skuffer 800x410x565 mm</b></p> <p>Hvit glatt Grå glatt Hvit profilert</p> <p><b>Tilbehør</b></p> <p>Skuffeinnsats 800 mm, per stk</p>	6020289	4G018001	2.400	3.000
	7031641 7031642 7031614	GB71GCVU80DH00 GB71GCVU80GR00 GB71GCVU80WS00	6.144 7.104 7.104	7.680 8.880 8.880
	7031613	GB71GCDR80	1.152	1.440
<p>Graphic heldekkende servant, 1000x410 mm</p> <p><b>Graphic servantskap med tre skuffer 1000x410x565 mm</b></p> <p>Hvit glatt Grå glatt Hvit profilert</p> <p><b>Tilbehør</b></p> <p>Skuffeinnsats 1000 mm, per stk</p>	6020282	4G01A501	2.784	3.480
	7031643 7031644 7031618	GB71GCVU10DH00 GB71GCVU10GR00 GB71GCVU10WS00	6.720 7.680 7.680	8.400 9.600 9.600
	7031617	GB71GCDR10	1.344	1.680

	NRF. NR.	ART. NR.	VEIL. PRIS EKS. MVA.	VEIL. PRIS INKL. MVA.
<p><b>Graphic veggskap, dybde 160 mm.</b> Dørene har dempet lukking, inkludert to flyttbare hylleplater i glass</p> <p>Hvit glatt Grå glatt Hvit profilert</p>	7031596 7031597 7031598	GB71GCSC6016DH GB71GCSC6016GR GB71GCSC6016WS	3.360 3.744 3.744	4.200 4.680 4.680
<p><b>Graphic topplate med belysning til veggskap, dybde 160 mm, 600 mm</b></p> <p>Hvit Grå</p>	7031603 7031604	GB71GCTP6016DH GB71GCTP6016GR	3.072 3.360	3.840 4.200
<p><b>Graphic topplate med belysning til veggskap, dybde 160 mm, 1200 mm</b> bergenet for 2x600mm skap montert ved siden av hverandre</p> <p>Hvit Grå</p>	7031552 7031553	GB71GCTP1216DH GB71GCTP1216GR	3.360 3.744	4.200 4.680
<p><b>Graphic veggskap, dybde 320 mm.</b> Dørene har dempet lukking, inkludert to flyttbare hylleplater i glass</p> <p>Hvit glatt Grå glatt Hvit profilert</p>	7031599 7031601 7031602	GB71GCSC6032DH GB71GCSC6032GR GB71GCSC6032WS	3.744 4.032 4.032	4.680 5.040 5.040
<p><b>Graphic topplate med belysning til veggskap, dybde 320 mm, 600 mm.</b></p> <p>Hvit Grå</p>	7031605 7031606	GB71GCTP6032DH GB71GCTP6032GR	3.744 4.320	4.680 5.400
<p><b>Graphic topplate med belysning til veggskap, dybde 320 mm, 1200 mm</b> bergenet for 2x600mm skap montert ved siden av hverandre</p> <p>Hvit Grå</p>	7031554 7031555	GB71GCTP1232DH GB71GCTP1232GR	4.032 4.512	5.040 5.640



	NRF. NR.	ART. NR.	VEIL. PRIS EKS. MVA.	VEIL. PRIS INKL. MVA.
<p><b>Graphic høyskap, dybde 160 mm.</b> Vendbare dører for høyre-/venstremontering med dempet lukking. En fast hylleplate i tre, fire flyttbare i glass</p> <p>Hvit glatt Grå glatt Hvit profilert</p>	7031577 7031578 7031579	GB71GCTC16DH GB71GCTC16GR GB71GCTC16WS	5.280 5.664 5.664	6.600 7.080 7.080
<p><b>Graphic høyskap, dybde 320 mm.</b> Med smart oppbevaring i den øversete døren</p> <p>Hvit glatt Grå glatt Hvit profilert</p>	7031581 7031582 7031583	GB71GCTC32DH GB71GCTC32GR GB71GCTC32WS	6.240 6.624 6.624	7.800 8.280 8.280
<p><b>Graphic Speilskap</b> Dobbelsidig speil og dempet lukking. Inkludert to flyttbare hylleplater i glass, forstørrende speil og magnetlist som kan monteres på valgfritt sted. Baderomslampe og stikkontakt fås som tilvalg.</p> <p><b>Bredde 450 mm med en dør.</b></p> <p>Hvit Grå</p>	7031625 7031686	GB71GCMC45DH GB71GCMC45GR	3.072 3.360	3.840 4.200
<p><b>Bredde 600 mm med to dører</b></p> <p>Hvit Grå</p>	7031626 7031685	GB71GCMC60DH GB71GCMC60GR	3.744 4.032	4.680 5.040
<p><b>Bredde 800 mm med to dører</b></p> <p>Hvit Grå</p>	7031629 7031684	GB71GCMC80DH GB71GCMC80GR	4.320 4.512	5.400 5.640
<p><b>Bredde 1000 mm med to dører</b></p> <p>Hvit Grå</p>	7031633 7031683	GB71GCMC10DH GB71GCMC10GR	4.704 4.992	5.880 6.240
<p><b>Tilbehør</b></p> <p>LED-belysning 300 mm, IP44, 3000 K LED-belysning 500 mm, IP44, 3000 K Stikkontakt IP44 Artic heldekkende servant, 620x480 mm</p>	7031584 7031593 7031025 6020288	GB1GCCLL30 GB1GCCLL50 GB711800220 4G006001	1.344 1.632 209 1.920	1.680 2.040 261 2.400

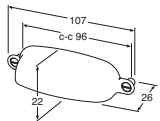
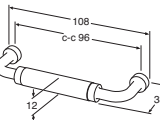

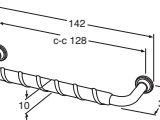
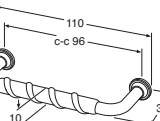
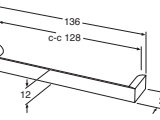
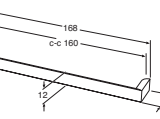
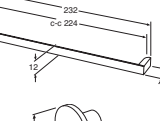
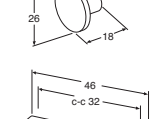
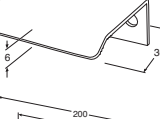
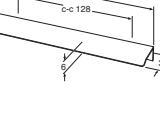
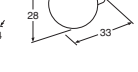
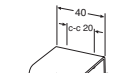

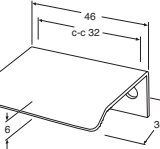
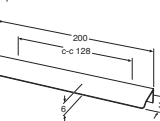
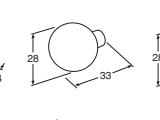
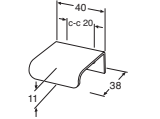

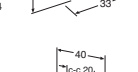

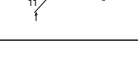

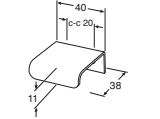
## NYE Artic baderomsmøbler

	NRF. NR.	ART. NR.	VEIL. PRIS EKS. MVA.	VEIL. PRIS INKL. MVA.
<p>Artic heldekkende servant, 620x480 mm</p> <p><b>Artic servantskap med to skuffer 620x480x585 mm</b></p> <p>Hvit glatt Hvit Speildør Svart eik Hvit melamin med greplist</p> <p><b>Tilbehør</b></p> <p>Skuffeinnsats 600 mm, per stk</p>	6020288	4G006001	1.920	2.400
	7031609	GB714860DH00	5.664	7.080
	7031639	GB714860WF00	5.664	7.080
	7031678	GB714860BL00	6.624	8.280
	7031689	GB714860AG00	4.704	5.880
		GB7148DR60	768	960
<p>Artic heldekkende servant, 820x480 mm</p> <p><b>Artic servantskap med to skuffer 820x480x585 mm</b></p> <p>Hvit glatt Hvit Speildør Svart eik Hvit melamin med greplist</p> <p><b>Tilbehør</b></p> <p>Skuffeinnsats 800 mm, per stk</p>	6020291	4G008001	2.496	3.120
	7031616	GB714880DH00	6.048	7.560
	7031671	GB714880WF00	6.048	7.560
	7031615	GB714880BL00	7.008	8.760
	7031691	GB714880AG00	5.088	6.360
		GB7148DR80	1.152	1.440
<p>Artic heldekkende servant m/ett batterihull 1020x480 mm</p> <p>Artic heldekkende servant m/to batterihull 1020x480 mm</p> <p><b>Artic servantskap med to skuffer 1020x480x585 mm</b></p> <p>Hvit glatt Hvit Speildør Svart eik Hvit melamin med greplist</p> <p><b>Tilbehør</b></p> <p>Skuffeinnsats 1000 mm, per stk</p>	6020283	4G00A501	2.976	3.720
	6020284	4G00A401	2.976	3.720
	7031548	GB714810DH00	6.528	8.160
	7031674	GB714810WF00	6.528	8.160
	7031547	GB714810BL00	7.488	9.360
7031687	GB714810AG00	5.568	6.960	
		GB7148DR10	1.440	1.800
<p>Artic heldekkende servant med to bassenger 1220x480 mm</p> <p><b>Artic servantskap med fire skuffer 1220x480x585 mm</b></p> <p>Hvit glatt Hvit Speildør Svart eik Hvit melamin med greplist</p> <p><b>Tilbehør</b></p> <p>Skuffeinnsats 600 mm, per stk</p>	6020285	4G00C501	3.360	4.200
	7031557	GB714812DH00	10.944	13.680
	7031676	GB714812WF00	11.904	14.880
	7031556	GB714812BL00	12.864	16.080
	7031688	GB714812AG00	9.600	12.000
		GB7148DR60	768	960

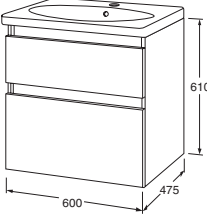
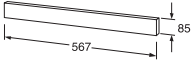
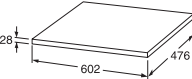
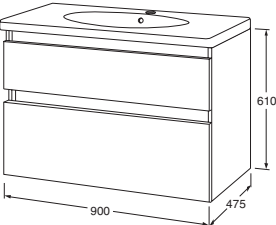
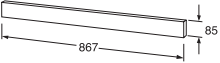

	NRF. NR.	ART. NR.	VEIL. PRIS EKS. MVA.	VEIL. PRIS INKL. MVA.
<p><b>Artic høyskap, dybde 370 mm.</b> Vendbare dører for høyre-/venstremontering med dempet lukking. En fast hylleplate i tre, tre flyttbare i glass.</p> <p>Hvit glatt Hvit Speildør Svart eik</p>	7031624 7031634 7031586	GB714870DH00 GB714870WF00 GB714870BO00	4.704 6.624 7.584	5.880 8.280 9.480
<p><b>Artic speilskap</b> Dobbelsidig speil og dempet lukking. Inkludert to flyttbare hylleplater i glass, forstørrende speil og magnetlist som kan monteres på valgfritt sted. LED-belysning over og under skapet, integrert stikkontakt inne i skapet. Bredde 600 mm med to dører.</p> <p>Hvit Svart eik</p>	7031517 7031515	GB71488860DH GB71488860BO	7.008 7.584	8.760 9.480
<p><b>Bredde 800 mm med to dører</b></p> <p>Hvit Svart eik</p>	7031628 7031627	GB71488880DH GB71488880BO	7.584 8.160	9.480 10.200
<p><b>Bredde 1000 mm med to dører</b></p> <p>Hvit Svart eik</p>	7031524 7031522	GB71488810DH GB71488810BO	7.968 8.544	9.960 10.680
<p><b>Bredde 1200 mm med 4 dører</b></p> <p>Hvit Svart eik</p>	7031621 7031619	GB71488812DH GB71488812BO	14.016 15.168	17.520 18.960

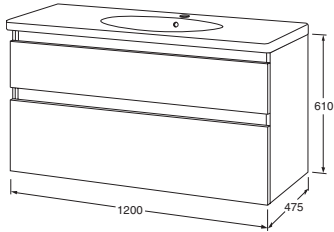
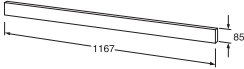
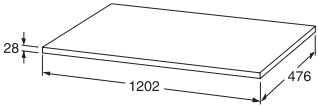
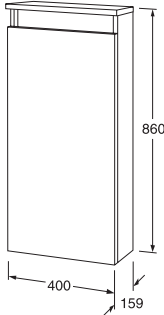
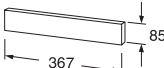
		NRF. NR.	ART. NR.	VEIL. PRIS EKS. MVA.	VEIL. PRIS INKL. MVA.
	<p><b>Artic speil</b> med og uten LED-belysning, IP44, 3000 K Bredde 600 mm</p>	<p>7031539 7031538</p>	<p>GB7148806000U GB7148806000</p>	<p>1.026 2.048</p>	<p>#N1283/A 2.560</p>
	<p><b>Bredde 800 mm</b></p>	<p>7031631 7031632</p>	<p>GB7148808000U GB7148808000</p>	<p>1.152 2.306</p>	<p>1.440 2.883</p>
	<p><b>Bredde 1000 mm</b></p>		<p>GB7148801000U GB7148801000</p>	<p>1.364 2.526</p>	<p>1.705 3.158</p>
	<p><b>Bredde 1200 mm</b></p>	<p>7031622 7031623</p>	<p>GB7148801200U GB7148801200</p>	<p>1.390 2.767</p>	<p>1.737 3.459</p>

## Håndtak og Knopper til Artic og Graphic

	NRF. NR.	ART. NR.	VEIL. PRIS EKS. MVA.	VEIL. PRIS INKL. MVA.
 <p>Samtidig håndtak og knopper passer på alle våre baderomsmøbler, flere av knottene kan også monteres på vegg som håndkleknagger.</p>				
Håndtak H1 Krom cc96	7031549	GB7199H1CR096	96	120
	7031564	GB7199H2CW096	144	180
Håndtak H2 Krom/Svart cc128	7031565	GB7199H2CW128	144	180
	7031585	GB7199K1PB000	96	120
	7031563	GB7199H3LB128	480	600
	7031551	GB7199H3LB096	432	540
	7031558	GB7199H4CR128	96	120
	7031559	GB7199H4BL128	96	120
	7031561	GB7199H4CR160	96	120
	7031562	GB7199H4BL160	96	120
	7031568	GB7199H4CR224	96	120
	7031569	GB7199H4BL224	96	120
	7031573	GB7199K2CR000	96	120
	7031571	GB7199K5BR000	96	120
	7031572	GB7199K5CU000	96	120
	7031591	GB7199H5WH032	96	120
	7031592	GB7199H5BL032	96	120
	7031566	GB7199H5WH128	96	120
	7031567	GB7199H5BL128	96	120
	7031611	GB7199K3BC000	144	180
	7031612	GB7199K3BB000	144	180
	7031576	GB7199K4CR000	96	120
	7031574	GB7199K6BL000	96	120
	7031575	GB7199K6WH000	96	120
	7031588	GB7199H6BR020	96	120

## UTGÅENDE produkter i Nautic sortimentet

	NRF. NR.	ART. NR.	VEIL. PRIS EKS. MVA.	VEIL. PRIS INKL. MVA.	
	<b>5562 Nautic heldekkende servant, 620x500 mm</b>				
	Uten blande batteri				
	6020258	55629901	2.147	2.684	
	Uten blande batteri, uten overløpshull				
	6020261	55629801	2.147	2.684	
	Finnes også med Ceramic +				
	<b>A903 servantskap med to skuffer, med hvit dekorlist</b>				
	Hvit høyglans				
	7031376	GB71A903CWDH	3.852	4.815	
	Matt grå				
7031375	GB71A903GBDH	3.221	4.026		
Hvit melamin					
7031374	GB71A903AGDH	3.221	4.026		
	<b>A672 60 Dekorlist* for fargebytte Aluminium</b>				
	<b>7031329</b>	<b>A67260FJ</b>	<b>639</b>	<b>799</b>	
	Sort				
	7031332	A67260FK	639	799	
	7031333	A67260FL	639	799	
	<b>A666 Topplate** 602 mm til servantskap A903</b>				
	Matt grå				
	7031384	A66600GB	1.502	1.878	
Hvit melamin					
7031296	A66600AG	1.124	1.405		
*) MERK! Bestill 2 stk. til hvert skap.					
**) For skap uten servanter se <a href="http://www.gustavsberg.no">www.gustavsberg.no</a>					
	<b>5592 Nautic heldekkende servant, 920x500 mm</b>				
	Uten blande batteri				
	6020265	55929901	3.088	3.860	
	Uten blande batteri, uten overløpshull				
	6020267	55929801	3.088	3.860	
	Finnes også med Ceramic +				
	6020266	559299r1	3.841	4.801	
	<b>A904 Servantskap, med hvit dekorlist</b>				
	Hvit høyglans				
	7031379	GB71A904CWDH	4.495	5.619	
	Matt grå				
	7031378	GB71A904GBDH	3.692	4.615	
	Hvit melamin				
	7031377	GB71A904AGDH	3.692	4.615	
		<b>A672 90 Dekorlist* for fargebytte</b>			
		Aluminium			
7031335		A67290FJ	663	829	
Sort					
7031337	A67290FK	663	829		
Rød					
7031338	A67290FL	663	829		
<b>Tilbehør</b>					
Skuffeinnsats					
7031366	B0015100	376	470		
	<b>A665 Topplate** 902 mm til servantskap A904.</b>				
	Leveres med to konsoller for ekstra stabilitet.				
	Matt grå				
7031385	A66500GB	1.914	2.393		
Hvit melamin					
7031299	A66500AG	1.736	2.170		
*) MERK! Bestill 2 stk. til hvert skap.					
**) For skap uten servanter se <a href="http://www.gustavsberg.no">www.gustavsberg.no</a>					

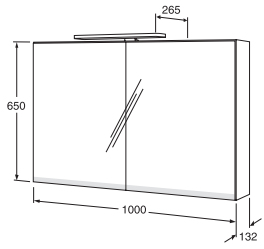
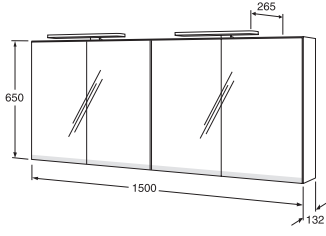
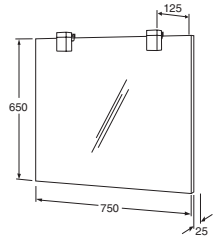
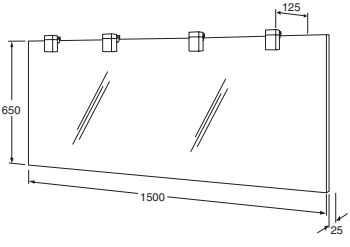
	NRF. NR.	ART. NR.	VEIL. PRIS EKS. MVA.	VEIL. PRIS INKL. MVA.
 <p><b>5512 Nautic heldekkende servant, 1220x500 mm</b></p> <p>Uten blande batteri Uten blande batteri, uten overløpshull Finnes også med Ceramic+</p> <p><b>A905 servantskap, med hvit dekorlist</b></p> <p>Hvit høyglans Matt grå Hvit melamin Tilbehør Skuffeinnsats</p>  <p><b>A672 12 Dekorlist* for fargebytte</b></p> <p>Aluminium Sort Rød</p>  <p><b>A664 Topplate** 1202 mm til servantskap A905.</b> Leveres med to konsoller for ekstra stabilitet.</p> <p>Matt grå Hvit melamin</p> <p>*) <b>MERK!</b> Bestill 2 stk. til hvert skap. **) For skap uten servanter se <a href="http://www.gustavsberg.no">www.gustavsberg.no</a></p>	6020272	55129901	3.920	4.900
	6020274	55129801	3.920	4.900
	6020273	551299R1	4.673	5.841
	7031383	GB71A905CWDH	5.135	6.419
	7031382	GB71A905GBDH	3.869	4.836
	7031381	GB71A905AGDH	3.869	4.836
	7031367	B0015200	415	519
	7031341	A67212FJ	765	956
	7031343	A67212FK	765	956
	7031344	A67212FL	765	956
 <p><b>A671 Veggskap med venstrehengslet dør, to glasshyller, med hvit dekorlist</b></p> <p>Hvit høyglans (skapstamme i hvit melamin) Matt grå Hvit melamin</p> <p><b>A672 Veggskap med høyrehengslet dør, to glasshyller, med hvit dekorlist</b></p> <p>Hvit høyglans Matt grå Hvit melamin</p>  <p><b>A672 40 Dekorlist for fargebytte</b></p> <p>Aluminium Sort Rød</p>	7031287	GB71A671CWDH	2.426	3.033
	7031389	GB71A671GBDH	2.297	2.871
	7031288	GB71A671AGDH	2.041	2.551
	7031292	GB71A672CWDH	2.426	3.033
	7031391	GB71A672GBDH	2.297	2.871
	7031293	GB71A672AGDH	2.041	2.551
	7031307	A67240FJ	561	701
	7031309	A67240FK	561	701
	7031311	A67240FL	561	701



	NRF. NR.	ART. NR.	VEIL. PRIS EKS. MVA.	VEIL. PRIS INKL. MVA.
	<p><b>A673 Høyskap med én skuff og venstre-hengslede dører samt tre glasshyller, med hvit dekorlist</b></p> <p>Hvit høyglans (skapstamme i hvit melamin) Matt grå Hvit melamin</p>	<p>7031278 GB71A673CWDH 7031387 GB71A673GBDH 7031279 GB71A673AGDH</p>	<p>5.233 5.105 4.565</p>	<p>6.541 6.381 5.706</p>
	<p><b>A674 Høyskap med én skuff og høyre-hengslede dører samt tre glasshyller, med hvit dekorlist</b></p> <p>Hvit høyglans Matt grå Hvit melamin</p>	<p>7031283 GB71A674CWDH 7031388 GB71A674GBDH 7031284 GB71A674AGDH</p>	<p>5.233 5.105 4.565</p>	<p>6.541 6.381 5.706</p>
<p><b>A672 40 Dekorlist* for fargebytte</b></p> <p>Aluminium Sort Rød</p>	<p>7031307 7031309 7031311</p>	<p>A67240FJ A67240FK A67240FL</p>	<p>561 561 561</p>	<p>701 701 701</p>
<p>* MERK! Bestill 3 stk. til hvert skap.</p>				
	<p><b>A402 60 Speilskap med to dører og belysning.</b> Speil også på innsiden av dørene. Strømbryter og 230 V stikkontakt inne i skapet. Leveres med fire glasshyller. For fast montering på vegg. Den elektriske installasjonen skal utføres av autorisert elektriker. Leveres med alt monteringsmateriell. Kapslingsklasse IP44. For montering i sone 2 på badet. Med to lysrør à 13 W.</p> <p>Matt grå Hvit</p>	<p>7031393 A40260GB 7031392 A40260AG</p>	<p>5.555 5.555</p>	<p>6.944 6.944</p>
	<p><b>A402 90 Speilskap med to dører og belysning.</b> Speil også på innsiden av dørene. Strømbryter og 230 V stikkontakt inne i skapet. Leveres med fire glasshyller. For fast montering på vegg. Den elektriske installasjonen skal utføres av autorisert elektriker. Leveres med alt monteringsmateriell. Kapslingsklasse IP44. For montering i sone 2 på badet. Med to lysrør à 14 W.</p> <p>Matt grå Hvit melamin</p>	<p>7031395 A40290GB 7031394 A40290AG</p>	<p>6.263 6.263</p>	<p>7.829 7.829</p>
	<p>A403 60 Speil med belysning Aluminium</p>	<p>7031368 A40360GB</p>	<p>2.644</p>	<p>3.305</p>

		NRF. NR.	ART. NR.	VEIL. PRIS EKS. MVA.	VEIL. PRIS INKL. MVA.
	A403 90 Speil med belysning Aluminium	7031369	A40390GB	3.275	4.094
<b>UTGÅENDE produkter i Artic sortimentet</b>					
	<b>4860 Servantskap med hel toppplate</b>  Black Oak Natural Oak Matte White Artic nedfellingsservant 4551 med C+	7031498 7031499 7031501 6020112 6020058	GB714860BO0000 GB714860NO0000 GB714860DH0000 GB1145510101 GB114551R101	6.881 6.719 5.374 1.765 2.518	8.601 8.399 6.718 2.206 3.148
	<b>Tilbehør</b>  Se håndtak side 42				
	<b>4875 Servantskap med hel toppplate</b>  Black Oak Natural Oak Matte White Artic nedfellingsservant 4551 med C+	7031502 7031503 7031504 6020112 6020058	GB714875BO0000 GB714875NO0000 GB714875DH0000 GB1145510101 GB114551R101	8.419 8.256 6.261 1.765 2.518	10.524 10.320 7.826 2.206 3.148
	<b>Tilbehør</b>  Se håndtak side 42				
	<b>48100 Servantskap med hel toppplate</b>  Black Oak Natural Oak Matte White Artic nedfellingsservant 4551 med C+	7031505 7031506 7031507 6020112 6020058	GB714810BO0000 GB714810NO0000 GB714810DH0000 GB1145510101 GB114551R101	9.472 9.229 7.129 1.765 2.518	11.840 11.536 8.911 2.206 3.148
	<b>Tilbehør</b>  Se håndtak side 42				
	<b>48150 Servantskap med hel toppplate</b>  Black Oak Natural Oak Matte White Artic nedfellingsservant 4551 med C+	7031508 7031509 7031511 6020112 6020058	GB714815BO0000 GB714815NO0000 GB714815DH0000 GB1145510101 GB114551R101	15.705 12.367 1.765 2.518	19.631 15.459 2.206 3.148
	<b>Tilbehør</b>  Se håndtak side 42				

	NRF. NR.	ART. NR.	VEIL. PRIS EKS. MVA.	VEIL. PRIS INKL. MVA.
	<p><b>4870 Høyskap</b> Vendbart for høyre- eller venstremonterte dører. Én fast og tre flyttbare hylleplater i tre.</p> <p>Black Oak Natural Oak Matte White</p> <p><b>Tilbehør</b> <i>Se håndtak side 42</i></p>	<p>7031512 GB714870BO00BO 7031513 GB714870NO00NO 7031514 GB714870DH00DH</p>	<p>5.804 5.461 4.435</p>	<p>7.255 6.826 5.544</p>
	<p><b>Håndtak</b> <b>Passer til alle skap</b></p> <p>Modell F, c-c 128 mm, Classy Chrome Modell F, c-c 192 mm, Classy Chrome Modell F, c-c 320 mm, Classy Chrome Modell F, c-c 128 mm, Anthracite Modell F, c-c 192 mm, Anthracite Modell F, c-c 320 mm, Anthracite Modell G, c-c 192 mm, Classy Chrome Modell G, c-c 192 mm, Anthracite</p>	<p>7031485 GB7148C128E 7031486 GB7148C192E 7031487 GB7148C320E 7031488 GB7148A128F 7031489 GB7148A192F 7031491 GB7148A320F 7031492 GB7148C192G 7031493 GB7148A192G</p>	<p>65 90 116 65 90 116 116 116</p>	<p>81 113 145 81 113 145 145 145</p>
	<p><b>4888 60 Speilskap med to dører og LED-belysning over og under skapet.</b> Speil også på innsiden av dørene. 230 V stikkontakt inne i skapet. Leveres med to flyttbare glasshyller. For fast montering på vegg. Den elektriske installasjonen skal utføres av autorisert elektriker. Leveres med alt monteringsmateriell. Kapslingsklasse IP44. For montering i sone 2 på badet. LED-belysning.</p> <p>Black Oak Natural Oak Matte White</p>	<p>7031515 GB71488860BO 7031516 GB71488860NO 7031517 GB71488860DH</p>	<p>4.853 4.648 4.443</p>	<p>6.066 5.810 5.554</p>
	<p><b>4888 75 Speilskap med to dører og LED-belysning over og under skapet.</b> Speil også på innsiden av dørene. 230 V stikkontakt inne i skapet. Leveres med to flyttbare glasshyller. For fast montering på vegg. Den elektriske installasjonen skal utføres av autorisert elektriker. Leveres med alt monteringsmateriell. Kapslingsklasse IP44. For montering i sone 2 på badet. LED-belysning.</p> <p>Black Oak Natural Oak Matte White</p>	<p>7031518 GB71488875BO 7031519 GB71488875NO 7031521 GB71488875DH</p>	<p>5.400 5.127 4.716</p>	<p>6.750 6.409 5.895</p>

	NRF. NR.	ART. NR.	VEIL. PRIS EKS. MVA.	VEIL. PRIS INKL. MVA.
 <p><b>4888 100 Speilskap med to dører og LED-belysning over og under skapet.</b>                      Speil også på innsiden av dørene.                      230 V stikkontakt inne i skapet.                      Leveres med to flyttbare glasshyller.                      For fast montering på vegg.                      Den elektriske installasjonen skal utføres av autorisert elektriker.                      Leveres med alt monteringsmateriell.                      Kapslingsklasse IP44.                      For montering i sone 2 på badet.                      LED-belysning.</p> <p>Black Oak                      Natural Oak                      Matte White</p>	7031522 7031523 7031524	GB71488810BO GB71488810NO GB71488810DH	6.084 5.810 5.264	7.605 7.263 6.580
 <p><b>4888 150 Speilskap med fire dører og LED-belysning over og under skapet.</b>                      Speil også på innsiden av dørene.                      230 V stikkontakt inne i skapet.                      Leveres med fire flyttbare glasshyller.                      For fast montering på vegg.                      Den elektriske installasjonen skal utføres av autorisert elektriker.                      Leveres med alt monteringsmateriell.                      Kapslingsklasse IP44.                      For montering i sone 2 på badet.                      LED-belysning.</p> <p>Black Oak                      Natural Oak                      Matte White</p>	7031525 7031526 7031527	GB71488815BO GB71488815NO GB71488815DH	9.160 8.818 8.545	11.450 11.023 10.681
 <p>4880 75 Speil med belysning                      4880 75 Speil uten belysning</p>	7031541 7031542	GB7148807500 GB7148807500U	2.185	2.731
 <p>4880 150 Speil med belysning                      4880 150 Speil uten belysning</p>		GB7148801500 GB7148801500U	3.385	4.231

## UTGÅENDE produkter i Logic sortimentet

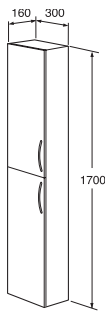
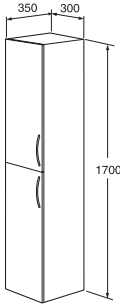
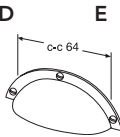
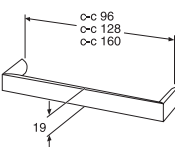
	NRF. NR.	ART. NR.	VEIL. PRIS EKS. MVA.	VEIL. PRIS INKL. MVA.
	<b>1850 Logic møbelpakke</b> Med servant 5189. Skapet har dører i hvit melamin, et hylleplan og medfølgende håndtak (modell A).			
	7031222	GB71185001L00	2.928	2.660
	7031221	GB71185001R00	2.928	2.660
	<b>Servant 5169 f/bolter/skapmontering, 620 x 430 mm</b> Med overløp Med overløp, C+ 1860 servantskap, skrog hvitt Skuffefront, Perfect White Skuffefront, Sinful Black Skuffefront, Moody Blue Skuffefront, Crazy Orange Skuffefront, Hvit melamin			
	6020143	51699901	2.147	2.684
	6020144	516999R1	2.898	3.623
	7031043	GB7118600100	2.397	2.996
	7031062	GB71186000DH	1.101	1.376
	7031063	GB71186000EL	1.101	1.376
	7031117	GB7118600036	1.101	1.376
	7031118	GB7118600038	1.101	1.376
	7031061	GB71186000AG	444	555
	<b>Tilbehør</b>			
	7031082	GB711800001A	63	79
	7031084	GB711800001C	137	171
	<b>Støtteben</b>			
	7031002	GB7118000004	191	239
	7031046	GB7118600201	732	915
	<b>Servant 5171 f/bolter/skapmontering, 920 x 430 mm</b> Med overløp Med overløp C+ 1890 servantskap, skrog hvitt Skuffefront, Perfect White Skuffefront, Sinful Black Skuffefront Moody Blue Skuffefront Crazy Orange Skuffefront, Hvit Melamin			
	6020145	51719901	3.088	3.860
	6020146	517199R1	3.841	4.801
	7031044	GB7118900100	2.605	3.256
	7031066	GB71189000DH	1.561	1.951
	7031067	GB71189000EL	1.561	1.951
	7031119	GB7118900036	1.561	1.951
	7031121	GB7118900038	1.561	1.951
	7031065	GB71189000AG	533	666
	<b>Tilbehør</b>			
	7031082	GB711800001A	63	79
	7031084	GB711800001C	137	171
	<b>Støtteben</b>			
	7031002	GB7118000004	191	239
	7031047	GB7118900201	1.101	1.376

	NRF. NR.	ART. NR.	VEIL. PRIS EKS. MVA.	VEIL. PRIS INKL. MVA.
	<p><b>1812 Logic sideskap i kombinasjon med 1860 Logic servantskap</b> f/bolter/skapmontering, 1220x430 mm 5188 heldekkende møbelservant</p> <p>Med overløp Med overløp C+</p>	<p>6020147 6020148</p> <p>51889901 518899R1</p>	<p>3.917 4.669</p>	<p>4.896 5.836</p>
	<p><b>For 120 cm løsning må 60 skap med front og håndtak bestilles i tillegg.</b></p> <p>1812 sideskap, skrog, hvitt (bestill 2 stk.) Dørfront, Perfect White (bestill 2 stk.) Dørfront, Sinful Black (bestill 2 stk.) Dørfront, Moody Blue (bestill 2 stk.) Dørfront, Crazy Orange (bestill 2 stk.) Dørfront, Hvit melamin (bestill 2 stk.)</p>	<p>7031045 7031071 7031072 7031122 7031123 7031069</p> <p>GB7118120100 GB71181200DH GB71181200EL GB7118120036 GB7118120038 GB71181200AG</p>	<p>844 724 724 724 724 222</p>	<p>1.055 905 905 905 905 278</p>
	<p><b>Tilbehør</b></p> <p>Håndtak A Håndtak B Håndtak C</p>	<p>7031082 7031083 7031084</p> <p>GB711800001A GB711800001B GB711800001C</p>	<p>63 94 137</p>	<p>79 118 171</p>
	<p><b>Støtteben</b></p> <p>Forkrommede. Justerbare 320–340 mm, 2 stk.</p> <p>Topplate 1200 mm til servantskap 1812+1860, hvit</p>	<p>7031002  7031048</p> <p>GB7118000004  GB7118120201</p>	<p>191  1.465</p>	<p>239  1.831</p>
	<p><b>1810 Veggskap</b> Dør for høyre- eller venstremontering. Med flyttbar hylle i tre.</p> <p>Veggskap skrog, hvitt Dør, Perfect White Dør, Sinful Black Dør, Moody Blue Dør, Crazy Orange Håndtak A Håndtak B</p>	<p>7031195 7031197 7031077 7031124 7031125 7031082 7031083</p> <p>GB7118100100 GB71181000DH GB71181000EL GB7118100036 GB7118100038 GB711800001A GB711800001B</p>	<p>737 1.140 1.140 1.140 1.140 63 94</p>	<p>921 1.425 1.425 1.425 1.425 79 118</p>
	<p><b>1820 Kassettskap</b> Med vendbar dør for høyre- eller venstremontering. Forkrommet håndtak bestilles separat.</p> <p>Kassettskap skrog, hvitt Dør, Perfect White Dør, Sinful Black Dør, Moody Blue Dør, Crazy Orange Håndtak A Håndtak B</p>	<p>7031206 7031208 7031079 7031126 7031127 7031082 7031083</p> <p>GB7118200100 GB71182000DH GB71182000EL GB7118200036 GB7118200038 GB711800001A GB711800001B</p>	<p>590 570 570 570 570 63 94</p>	<p>738 713 713 713 713 79 118</p>

	NRF. NR.	ART. NR.	VEIL. PRIS EKS. MVA.	VEIL. PRIS INKL. MVA.
	<b>1870 Høyskap, dybde 160 mm</b> Med to vendbare dører for høyre- eller venstremontering. Med to flyttbare hylleplan i tre. Forkrommede håndtak bestilles separat.			
	Høyskap skrog, hvitt, dybde 16 cm Dør, Perfect White (bestill 2 stk.) Dør, Sinful Black (bestill 2 stk.) Dør, Moody Blue (bestill 2 stk.) Dør, Crazy Orange (Bestill 2 stk.) Håndtak A (bestill 2 stk.) Håndtak B (bestill 2 stk.)	7031212 7031214 7031081 7031128 7031129 7031082 7031083	GB7118700100 GB71187000DH GB71187000EL GB7118700036 GB7118700038 GB711800001A GB711800001B	1.607 1.248 1.248 1.248 1.248 63 94
	<b>1871 Høyskap, dybde 350 mm</b> Med to vendbare dører for høyre- eller venstremontering. Med to flyttbare hyller i tre. Forkrommede håndtak bestilles separat.			
	Høyskap skrog, hvitt, dybde 35 cm Dør, Perfect White (bestill 2 stk.) Dør, Sinful Black (bestill 2 stk.) Dør, Moody Blue (bestill 2 stk.) Dør, Crazy Orange (Bestill 2 stk.) Håndtak A (Bestill 2 stk.) Håndtak B (Bestill 2 stk.)	7031131 7031214 7031081 7031128 7031129 7031082 7031083	GB7118710100 GB71187000DH GB71187000EL GB7118700036 GB7118700038 GB711800001A GB711800001B	2.085 1.248 1.248 1.248 1.248 63 94
	<b>Logic møbelservant 5169, f/bolter/skapmontering</b>			
	Med overløp Med overløp, C+ 1862 servantskap med to skuffer og fleksibel vannlås Skrog, hvitt Skuffefront, Classy White Skuffefront, Woody Grey	6020143 6020144  7031397 7031401 7031404	51699901 516999R1  GB7118620100 GB7118620001 GB71186200WG	2.147 2.898  2.981 2.583 2.264
	<b>Tilbehør</b> Håndtak. Bestill ønsket antall.			
Modell D Modell E96 Modell E128 Modell E160	7031494 7031495 7031496 7031497	GB711800001D GB711800001E96 GB711800001E128 GB711800001E160	91 81 91 98	114 101 114 123



	NRF. NR.	ART. NR.	VEIL. PRIS EKS. MVA.	VEIL. PRIS INKL. MVA.
<p><b>Logic møbelservant 5171, f/bolter/skapmontering</b></p> <p>Med overløp Med overløp C+</p>	6020145 6020146	51719901 517199R1	3.088 3.841	3.860 4.801
<p><b>1892 servantskap med to skuffer og fleksibel vannlås</b></p> <p>Skrog, hvitt Skuffefront, Classy White Skuffefront, Woody Grey</p>	7031398 7031402 7031405	GB7118920100 GB7118920001 GB71189200WG	3.135 3.146 2.786	3.919 3.933 3.483
<p><b>Tilbehør</b></p> <p>Håndtak. Bestill ønsket antall.</p>				
<p>Modell D</p> <p>Modell E96</p> <p>Modell E128</p> <p>Modell E160</p>	7031494 7031495 7031496 7031497	GB711800001D GB711800001E96 GB711800001E128 GB711800001E160	91 81 91 98	114 101 114 123
<p><b>Logic møbelservant 5188 f/skapmontering</b></p> <p>Med overløp Med overløp, C+</p>	6020147 6020148	51889901 518899R1	3.917 4.669	4.896 5.836
<p><b>1822 servantskap med to skuffer og fleksibel vannlås</b></p> <p>Skrog, hvitt Skuffefront, Classy White Skuffefront, Woody Grey</p>	7031399 7031403 7031406	GB7118220100 GB7118220001 GB71182200WG	3.634 4.276 3.606	4.543 5.345 4.508
<p><b>Tilbehør</b></p> <p>Håndtak. Bestill ønsket antall.</p>				
<p>Modell D</p> <p>Modell E96</p> <p>Modell E128</p> <p>Modell E160</p>	7031494 7031495 7031496 7031497	GB711800001D GB711800001E96 GB711800001E128 GB711800001E160	91 81 91 98	114 101 114 123
<p><b>1810 Veggskap</b></p> <p>Vendbare dører for høyre-/venstremontering, inklusive én flyttbar hylleplate.</p> <p>Veggskap skrog, hvitt Dør, Classy White Dør, Woody Grey</p>	7031195 7031414 7031415	GB7118100100 GB7118100001 GB71181000WG	737 1.223 1.215	921 1.529 1.519
<p><b>Tilbehør</b></p> <p>Håndtak. Bestill ønsket antall.</p>				
<p>Modell D</p> <p>Modell E96</p> <p>Modell E128</p> <p>Modell E160</p>	7031494 7031495 7031496 7031497	GB711800001D GB711800001E96 GB711800001E128 GB711800001E160	91 81 91 98	114 101 114 123

	NRF. NR.	ART. NR.	VEIL. PRIS EKS. MVA.	VEIL. PRIS INKL. MVA.
   	<p><b>1870 Høyskap, dybde 160 mm</b> Vendbare dører for høyre-/venstremontering, inklusive to flyttbare hylleplater.</p> <p>Høyskap skrog, hvitt, dybde 16 cm Dør, Classy White (bestill 2 stk.) Dør, Woody Grey (bestill 2 stk.)</p>	<p>7031212 GB7118700100 1.607 2.009 7031407 GB7118700001 2.007 2.509 7031408 GB71187000WG 1.509 1.886</p>		
	<p><b>1871 Høyskap, dybde 350 mm</b> Høyskap skrog, hvitt, dybde 35 cm Dør, Classy White (bestill 2 stk.) Dør, Woody Grey (bestill 2 stk.)</p> <p>Tilbehør</p> <p>Håndtak. Bestill ønsket antall. Modell D Modell E96 Modell E128 Modell E160</p>	<p>7031131 GB7118710100 2.085 2.606 7031407 GB7118700001 2.007 2.509 7031408 GB71187000WG 1.509 1.886</p>		
	<p>7031494 GB711800001D 91 114 7031495 GB711800001E96 81 101 7031496 GB711800001E128 91 114 7031497 GB711800001E160 98 123</p>			
	<p><b>1882 60 Speilskap med to dører</b> Speil også på innsiden av dørene. To flyttbare hylleplater i glass. Kan kompletteres med belysning og/eller stikkontakt med IP 44.</p> <p>Hvitt</p> <p><b>Tilbehør</b></p> <p>Lysrampe, IP44 W8 Stikkontakt IP44</p>	<p>7031409 GB7118826001 3.508 4.385</p> <p>7031024 GB7118824600 508 635 7031025 GB711800220 209 261</p>		
	<p><b>1882 90 Speilskap med tre dører</b> Består av enheter på henholdsvis 60 og 30 cm. Velg om enheten på 30 cm skal være til høyre eller venstre. Speil også på innsiden av dørene. To flyttbare hylleplater i glass. Kan kompletteres med belysning og/eller stikkontakt med IP 44.</p> <p>Hvit</p> <p><b>Tilbehør</b></p> <p>Lysrampe, IP44 W8 Stikkontakt IP44</p>	<p>7031141 GB7118829001 5.217 6.521</p> <p>7031024 GB7118824600 508 635 7031025 GB711800220 209 261</p>		

	NRF. NR.	ART. NR.	VEIL. PRIS EKS. MVA.	VEIL. PRIS INKL. MVA.
<p><b>1835 Speil 600 x 720 mm</b> Passer til belysningsrampe 1831</p> <p><b>Tilbehør</b></p> <p><b>1831 Lysrampe</b> Med to innfelte LED-lamper og 230 V-uttak, for tilkobling til jordfeilbryter. For fastmontering på vegg i kombinasjon med Speil 1835.</p> <p>Hvit</p>	7031218	GB7118356001	1.089	1.361
	7031018	GB71183160AG	2.640	3.300
<p><b>1880-60 Speil med belysning</b> Beregnet for fast montering på vegg. Elektrisk installasjon må utføres av autorisert installatør. Alle monteringsdetaljer medfølger. Kapslingsklasse IP44. For montering i område 2 i baderommet. Med to lysrør á 13 W.</p> <p>1880-60 speil 600 x 650 mm 1880-60 speil 600 x 650 mm, med stikkontakt</p>	7031085 7031142	GB7118806000 GB7118806011	2.854 3.020	3.568 3.775
<p><b>1880-90 Speil med belysning</b> Beregnet for fast montering på vegg. Elektrisk installasjon må utføres av autorisert installatør. Alle monteringsdetaljer medfølger. Kapslingsklasse IP44. For montering i område 2 i baderommet. Med to lysrør á 13 W.</p> <p>1880-90 speil 900 x 650 mm 1880-90 speil 900 x 650 mm, med stikkontakt</p>	7031086 7031143	GB7118809000 GB7118809011	3.252 3.415	4.065 4.269
<p><b>1880-120 Speil med belysning</b> Beregnet for fast montering på vegg. Elektrisk installasjon må utføres av autorisert installatør. Alle monteringsdetaljer medfølger. Kapslingsklasse IP44. For montering i område 2 i baderommet. Med to lysrør á 13 W.</p> <p>1880-120 speil 1200 x 650 mm 1880-120 speil 1200 x 650 mm, med stikkontakt</p>	7031087 7031144	GB7118801200 GB7118801211	3.649 3.808	4.561 4.760

**Badekar i emaljert stålplate med hel- eller halvfrontstativ**

	NRF. NR.	ART. NR.	VEIL. PRIS EKS. MVA.	VEIL. PRIS INKL. MVA.		
	<b>1300 Badekar 1300x700 mm</b> uten ben m/bunnventil og utløpsrør, hvitt		6030203	GB2113000100	5.492	6.865
	7013 Helfrontstativ m/en front og gav, hvitt		6031115	GB2170130100	2.924	3.655
	7513 Tilleggsfront		6031136	GB2175130100	1.035	1.294
	7570 Tilleggsende		6031164	GB2175700100	469	586
	6013 Halvfrontstativ m/en front og en gav		6031145	GB2160130100	2.733	3.416
	6513 Tilleggsfront		6031155	GB2165130100	947	1.184
	6570 Tilleggsgev		6031159	GB2165700100	409	511
	6213 Kompletteringssett front/gavl For komplettering av allerede installert halvfront til helfront		6031194	GB2162130100	751	939
	1300 Badekar med glazeplus			GB2113000113	7.156	8.945
	1300 Badekar med antisklibehandling			GB2113000112	7.156	8.945
	1300 Badekar med borehull for to støttehåndtak			GB2113000111	7.156	8.945
	To støttehåndtak			GB208B080901	1.997	2.496
	<b>1400 Badekar 1400x700 mm</b> uten ben m/bunnventil og utløpsrør		6030204	GB2114000100	3.869	4.836
	7014 Helfrontstativ		6031116	GB2170140100	2.479	3.099
	7514 Tilleggsfront		6031137	GB2175140100	1.035	1.294
	7570 Tilleggsgev		6031164	GB2175700100	469	586
	6014 Halvfrontstativ m/front og en gav		6031146	GB2160140100	2.733	3.416
	6514 Tilleggsgev		6031156	GB2165140100	947	1.184
	6570 Tilleggsgev		6031159	GB2165700100	409	511
	6214 Kompletteringssett front/gavl For komplettering av allerede installert halvfront til helfront		6031195	GB2162140100	751	939
	1400 Badekar med glazeplus			GB2114000113	5.532	6.915
	1400 Badekar med antisklibehandling			GB2114000112	5.532	6.915
	1400 Badekar med borehull for to støttehåndtak			GB2114000111	5.532	6.915
	To støttehåndtak			GB208B080901	1.997	2.496
	<b>1500 Badekar 1500x700mm, uten ben</b> m/bunnventil og utløpsrør, hvitt		6030207	GB2115000100	4.048	5.060
	7015 Helfrontstativ m/front og en gav, hvit		6031117	GB2170150100	2.479	3.099
	7515 Tilleggsfront		6031138	GB2175150100	1.035	1.294
	7570 Tilleggsgev		6031164	GB2175700100	469	586
	6015 Halvfrontstativ med en front og en gav		6031147	GB2160150100	2.733	3.416
	6515 Tilleggsfront		6031157	GB2165150100	947	1.184
	6570 Tilleggsfront		6031159	GB2165700100	409	511
	6215 Kompletteringssett, front/gavl For komplettering av allerede installert halvfront til helfront		6031196	GB2162150100	751	939
	1500 Badekar med glazeplus			GB2115000113	5.712	7.140
	1500 Badekar med antisklibehandling			GB2115000112	5.712	7.140
	1500 Badekar med borehull for to støttehåndtak			GB2115000111	5.712	7.140
	To støttehåndtak			GB208B080901	1.997	2.496

	NRF. NR.	ART. NR.	VEIL. PRIS EKS. MVA.	VEIL. PRIS INKL. MVA.
<p><b>1570 Badekar 1570x700 mm uten ben, m/bunnventil og utløpsrør</b></p> <p>Hvitt. For rehabilitering 7016 Helfrontstativ m/front og gavl, hvitt Crazy Orange Moody Blue Sinful Black</p> <p>7516 Tilleggsfront 7570 Tilleggsgavl</p> <p>6016 Halvfrontstativ m/front og en gavl 6516 Tilleggsfront 6570 Tilleggsgavl</p> <p>6216 Kompletteringssett front/gavl For komplettering av allerede installert halvfront til helfront</p> <p>1570 Badekar med glazeplus 1570 Badekar med antisklibehandling 1570 Badekar med borehull for to støtتهåndtak</p> <p>To støtتهåndtak</p>	6030208	GB2115700100	4.820	6.025
	6031118	GB2170160100	2.479	3.099
	6030234	GB2170163800	3.457	4.321
	6030235	GB2170163600	3.457	4.321
	6030236	GB2170165600	3.457	4.321
	6031139	GB2175160100	1.035	1.294
	6031164	GB2175700100	469	586
	6031148	GB2160160100	2.733	3.416
	6031158	GB2165160100	947	1.184
	6031159	GB2165700100	409	511
	6031197	GB2162160100	751	939
		GB2115700113	6.485	8.106
		GB2115700112	6.485	8.106
		GB2115700111	6.485	8.106
		GB208B080901	1.997	2.496
<p><b>Badekar i emaljert ståplate med hel- eller halvfrontstativ</b></p>				
<p><b>1600 Badekar 1600x700mm uten ben, m/bunnventil og utløpsrør</b></p> <p>7016 Helfrontstativ m/front og gavl Crazy Orange Moody Blue Sinful Black</p> <p>7516 Tilleggsfront 7570 Tilleggsgavl</p> <p>6016 Halvfrontstativ m/front og en gavl 6516 Tilleggsfront 6570 Tilleggsgavl</p> <p>6216 Kompletteringssett front/gavl For komplettering av allerede installert halvfront til helfront</p> <p>1600 Badekar med glazeplus 1600 Badekar med antisklibehandling 1600 Badekar med borehull for to støtتهåndtak</p> <p>To støtتهåndtak</p>	6030209	GB2116000100	3.379	4.224
	6031118	GB2170160100	2.479	3.099
	6030234	GB2170163800	3.457	4.321
	6030235	GB2170163600	3.457	4.321
	6030236	GB2170165600	3.457	4.321
	6031139	GB2175160100	1.035	1.294
	6031164	GB2175700100	469	586
	6031148	GB2160160100	2.733	3.416
	6031158	GB2165160100	947	1.184
	6031159	GB2165700100	409	511
	6031197	GB2162160100	751	939
		GB2116000113	5.043	6.304
		GB2116000112	5.043	6.304
		GB2116000111	5.043	6.304
		GB208B080901	1.997	2.496

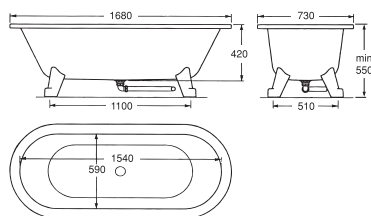
	NRF. NR.	ART. NR.	VEIL. PRIS EKS. MVA.	VEIL. PRIS INKL. MVA.		
<p><b>1603 Duokar 1600x700mm</b> uten ben, m/bunnventil og utløpsrør</p>	6030215	GB2116030100	7.961	9.951		
	7016 Helfrontstativ med en front og en gavl, hvitt	6031118	GB2170160100	2.479	3.099	
	Crazy Orange	6030234	GB2170163800	3.457	4.321	
	Moody Blue	6030235	GB2170163600	3.457	4.321	
	Sinful Black	6030236	GB2170165600	3.457	4.321	
	7516 Tilleggsfront	6031139	GB2175160100	1.035	1.294	
	7570 Tilleggs-gavl	6031164	GB2175700100	469	586	
	6016 Halvfrontstativ med en front og en gavl	6031148	GB2160160100	2.733	3.416	
	6516 Tilleggsfront	6031158	GB2165160100	947	1.184	
	6570 Tilleggs-gavl	6031159	GB2165700100	409	511	
<p><b>1607 Kombikar 1600x700mm</b> uten ben, med bunnventil og utløpsrør</p>	6031197	GB2162160100	751	939		
	6216 Kompletteringssett front/gavl For komplettering av allerede installert halvfront til helfront	6031197	GB2162160100	751	939	
	1603 Badekar med glazeplus		GB2116030113	9.586	11.983	
	1603 Badekar med antisklibehandling		GB2116030112	9.586	11.983	
	1603 Badekar med borehull for to støttehåndtak		GB2116030111	9.586	11.983	
	To støttehåndtak		GB208B080901	1.997	2.496	
	<p><b>1607 Kombikar 1600x700mm</b> uten ben, med bunnventil og utløpsrør</p>	6030221	GB2116070100	11.190	13.988	
		7016 Helfrontstativ med en front og en gavl, hvitt	6031118	GB2170160100	2.479	3.099
		Crazy Orange	6030234	GB2170163800	3.457	4.321
		Moody Blue	6030235	GB2170163600	3.457	4.321
Sinful Black		6030236	GB2170165600	3.457	4.321	
7516 Tilleggsfront		6031139	GB2175160100	1.035	1.294	
7570 Tilleggs-gavl		6031164	GB2175700100	469	586	
6016 Halvfrontstativ med en front og en gavl		6031148	GB2160160100	2.733	3.416	
6516 Tilleggsfront		6031158	GB2165160100	947	1.184	
6570 Tilleggs-gavl		6031159	GB2165700100	409	511	
<p><b>1607 Kombikar 1600x700mm</b> uten ben, med bunnventil og utløpsrør</p>	6031197	GB2162160100	751	939		
	6216 Kompletteringssett front/gavl For komplettering av allerede installert halvfront til helfront	6031197	GB2162160100	751	939	
	1607 Badekar med glazeplus		GB2116070113	12.853	16.066	
	1607 Badekar med antisklibehandling		GB2116070112	12.853	16.066	
	1607 Badekar med borehull for to støttehåndtak		GB2116070111	12.853	16.066	
	To støttehåndtak		GB208B080901	1.997	2.496	

	NRF. NR.	ART. NR.	VEIL. PRIS EKS. MVA.	VEIL. PRIS INKL. MVA.	
<p><b>1707 Badekar 1700x700mm. Hvitt.</b> uten ben, m/bunnventil og utløpsrør</p> <p>7017 Helfrontstativ med en front og en gavl 7517 Tilleggsfront 7570 Tilleggsgavl</p> <p>1707 Badekar med glazeplus 1707 Badekar med antisklibbehandling 1707 Badekar med borehull for to støttehåndtak</p> <p>To støttehåndtak</p>	6030222	GB2117070100	11.190	13.988	
	6031119	GB2170170100	2.479	3.099	
	6031162	GB2175170100	1.160	1.450	
	6031164	GB2175700100	469	586	
		GB2117070113	12.853	16.066	
		GB2117070112	12.853	16.066	
		GB2117070111	12.853	16.066	
		GB208B080901	1.997	2.496	
	<p><b>1700 Badekar 1700x700 mm</b> uten benstilling med bunnventil</p> <p>7017 Helfrontstativ med en front og en gavl</p> <p>7517 Tilleggsfront 7570 Tilleggsgavl</p> <p>1700 Badekar med glazeplus 1700 Badekar med antisklibbehandling 1700 Badekar med borehull for to støttehåndtak</p> <p>To støttehåndtak</p>	6030217	GB2117000100	4.170	5.213
		6031119	GB2170170100	2.479	3.099
6031162		GB2175170100	1.160	1.450	
6031164		GB2175700100	469	586	
		GB2117000113	5.835	7.294	
		GB2117000112	5.835	7.294	
		GB2117000111	5.835	7.294	
		GB208B080901	1.997	2.496	
<p><b>1051 Sittebadekar 1050x650 mm. Hvitt.</b> uten ben, m/bunnventil og utløpsrør.</p> <p>7010 Helfrontstativ med en front og en gavl 7510 Tilleggsfront 7565 Tilleggsgavl</p> <p>1051 Badekar med glazeplus 1051 Badekar med antisklibbehandling 1051 Badekar med borehull for to støttehåndtak</p> <p>To støttehåndtak</p>		6030201	GB2110510100	5.557	6.946
		6031127	GB2170100100	3.346	4.183
	6031135	GB2175100100	1.035	1.294	
	6031163	GB2175650100	469	586	
		GB2110510113	7.220	9.025	
		GB2110510112	7.220	9.025	
		GB2110510111	7.220	9.025	
		GB208B060901			



## Frittstående badekar i emaljert stål

	NRF. NR.	ART. NR.	VEIL. PRIS EKS. MVA.	VEIL. PRIS INKL. MVA.		
		<b>1571 Badekar. 1570x700 mm</b> uten stativ med oppløtsventil	6030232	GB2115710100	4.825	6.031
		1016 Stativ med justerbare ben	6030233	GB2110160100	1.783	2.229
		1051 Badekar med glazeplus 1051 Badekar med borehull for to støttehåndtak		GB2115710113 GB2115710111	6.490	8.113
		To støttehåndtak		GB208B060901		
		<b>6316 Frittstående badekar, 1580x680 mm</b> Perfect White, inklusiv hvite ben, forkrommet bunnventil, hvitt avløpsrør	6030273	GB2063160101	10.306	12.883
		<b>6316 Frittstående badekar, 1580x680 mm</b> Perfect White, uten ben, med forkrommet bunnventil og hvitt avløpsrør	6030276	GB2063160001	8.953	11.191
		<b>Badekar i Sinful Black, 1580x680 mm</b> uten ben, med forkrommet bunnventil, hvitt avløpsrør	6030462	GB2063165601	11.394	14.243
		<i>Løse ben for komplettering av kar</i> <b>OBS! Bestill to par pr kar</b>				
		Perfect White ben, par	6031844	GB2921200353	880	1.100
		Sinful Black ben, par	6031843	GB2921200359	880	1.100
		Classy Chrome ben, par	6031842	GB2921200358	2.376	2.970
		6316 hvitt, med hvite ben. Med glazeplus, forkrommet bunnventil, hvitt avløpsrør		GB2063160113	11.972	14.965
		Med antisklibehandling, forkrommet bunnventil, hvitt avløpsrør		GB2063160112	11.972	14.965
		6316 hvitt, uten ben*. Med glazeplus, forkrommet bunnventil, hvitt avløpsrør		GB2063160013	10.617	13.271
		Med antisklibehandling, forkrommet bunnventil, hvitt avløpsrør		GB2063160012	10.617	13.271
		6316 sort, uten ben. Med glazeplus, forkrommet bunnventil, hvitt avløpsrør		GB2063165613	13.057	16.321
		Med antisklibehandling, forkrommet bunnventil, hvitt avløpsrør		GB2063165612	13.057	16.321
	To støttehåndtak		GB208B080901	1.997	2.496	



**6368 Frittstående badekar, 680x730 mm**  
med ben i Perfect White, med forkrommet  
bunnventil, hvitt avløpsrør

**6368 Frittstående badekar uten ben**  
1680x730 mm, med forkrommet bunnventil,  
hvitt avløpsrør

**Badekar i Sinful Black, 1580x680 mm**  
uten ben, med forkrommet bunnventil,  
hvitt avløpsrør

*Løse ben for komplettering av kar*  
**OBS! Bestill to par pr kar.**

Perfect White ben, par  
Sinful Black ben, par  
Classy Chrome ben, par

6368 hvitt, med ben i Perfect White  
med glazeplus, forkrommetbunnventil,  
hvitt avløpsrør

Med antisklihandling, forkrommet  
bunnventil, hvitt avløpsrør

6368 hvitt, uten ben\* Med glazeplus,  
forkrommet bunnventil, hvitt avløpsrør

Med antisklibehandling, forkrommet  
bunnventil, hvitt avløpsrør

6368 Sinful Black, uten ben\* Med glazeplus,  
forkrommet bunnventil, hvitt avløpsrør

Med antisklibehandling, forkrommet  
bunnventil, hvitt avløpsrør

To støttehåndtak

NRF. NR.	ART. NR.	VEIL. PRIS EKS. MVA.	VEIL. PRIS INKL. MVA.
6030264	GB2063680101	10.884	13.605
6030277	GB2063680001	9.254	11.568
6030461	GB2063685601	11.959	14.949
6031844	GB2921200353	880	1.100
6031843	GB2921200359	880	1.100
6031842	GB2921200358	2.376	2.970
	GB2063680113	12.547	15.684
	GB2063680112	12.547	15.684
	GB2063680013	10.917	13.646
	GB2063680012	10.917	13.646
	GB2063685613	13.646	17.058
	GB2063685612	13.646	17.058
	GB208B080901	1.997	2.496

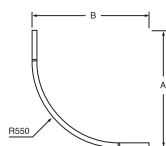
## Innbyggingsbadekar i emaljert stålplate

	NRF. NR.	ART. NR.	VEIL. PRIS EKS. MVA.	VEIL. PRIS INKL. MVA.	
	3400 Badekar for innbygging, 1400x700 mm	6030246	4.756	5.945	
	Ben til badekar for innbygging Overløpssystem Propp og vrider	6030259 6031722 6031723	GB2083400100 GB208B231500 GB2924300155 GB2924300156	404 850 306	505 1.063 383
	<b>3400 badekar for innbygging uten ben</b>				
	Med glazeplus Med antisklibehandling Med borehull for støttehåndtak		GB2083400113 GB2083400112 GB2083400111	6.379 6.379 6.379	7.974 7.974 7.974
	To støttehåndtak		GB208B080901	1.997	2.496
	3500 Badekar for innbygging, 1500x700 mm	6030247	3.233	4.041	
	Ben til badekar for innbygging Overløp Propp og vrider	6030259 6031722 6031723	GB208B231500 GB2924300155 GB2924300156	404 850 306	505 1.063 383
	<b>3500 badekar for innbygging uten ben</b>				
	Med glazeplus Med antisklibehandling Med borehull for støttehåndtak		GB2083500113 GB2083500112 GB2083500111	4.857 4.857 4.857	6.071 6.071 6.071
	To støttehåndtak		GB208B080901	1.997	2.496
	3600 Badekar for innbygging, 1600x700 mm	6030248	3.233	4.041	
	Ben til badekar for innbygging Overløpssystem Propp og vrider	6030259 6031722 6031723	GB208B231500 GB2924300155 GB2924300156	404 850 306	505 1.063 383
	<b>3600 badekar for innbygging uten ben</b>				
	Med glazeplus Med antisklibehandling Med borehull for støttehåndtak		GB2083600113 GB2083600112 GB2083600111	4.857 4.857 4.857	6.071 6.071 6.071
	To støttehåndtak		GB208B080901	1.997	2.496
	3970 Badekar for innbygging, 1700x700 mm	6030249	4.133	5.166	
	Ben til badekar for innbygging Overløpssystem Propp og vrider	6030259 6031722 6031723	GB208B231500 GB2924300155 GB2924300156	404 850 306	505 1.063 383
	<b>3970 badekar for innbygging uten ben</b>				
	Med antisklibehandling Med borehull for støttehåndtak		GB2083970112 GB2083970111	5.758 5.758	7.198 7.198
	To støttehåndtak		GB208B080901	1.997	2.496
	1220 Duocar for innbygging, 1600x700 mm	6030251	7.552	9.440	
	Ben til badekar for innbygging Overløpssystem Propp og vrider	6030259 6031722 6031723	GB208B231500 GB2924300155 GB2924300156	404 850 306	505 1.063 383
	<b>1220 badekar for innbygging uten ben</b>				
	Med glazeplus Med antisklibehandling Med borehull for støttehåndtak		GB2081220113 GB2081220112 GB2081220111	9.174 9.174	11.468 11.468
	To støttehåndtak		GB208B080901	1.997	2.496

	NRF. NR.	ART. NR.	VEIL. PRIS EKS. MVA.	VEIL. PRIS INKL. MVA.
	1380 Duokar for innbygging, 1700x750 mm Ben til badekar for innbygging Overløp Propp og vrider	6030252 6030259 6031722 6031723	7.552 404 850 306	9.440 505 1.063 383
	<b>1380 badekar for innbygging uten ben</b> Med glazeplus Med antisklibehandling Med borehull for støttehåndtak  To støttehåndtak		GB2081380100 GB208B231500 GB2924300155 GB2924300156  GB2081380113 GB2081380112 GB2081380111  GB208B080901	9.174 9.174 9.174  1.997
	3410 Badekar for innbygging, 1600x700 mm Ben til badekar for innbygging Overløpssystem Propp og vrider	6030253 6030259  6031723	7.552 404 850 306	9.440 505 1.063 383
	To støttehåndtak	GB208B080901	1.997	2.496
	3411 Badekar for innbygging, 1700x700 mm Ben til badekar for innbygging Overløpssystem Propp og vrider	6030254 6030259  6031723	7.552 404 850 306	9.440 505 1.063 383
	To støttehåndtak	GB208B080901	1.997	2.496
	6830 Badekar for innbygging, 1800x800 mm Ben til badekar for innbygging Overløpssystem Propp og vrider	6030255 6030259 6031722 6031723	13.039 404 850 306	16.299 505 1.063 383
	To støttehåndtak	GB208B080901	1.997	2.496
	6831 Badekar for innbygging, 1900x900 mm Ben til badekar for innbygging Overløpssystem Propp og vrider	6030256 6030259 6031722 6031723	15.826 404 850 306	19.783 505 1.063 383
	To støttehåndtak	GB208B080901	1.997	2.496
	<b>2570 Badekar for innbygging</b> 157x700 mm Venstre Ben til badekar for innbygging Overløpssystem Propp og vrider	6030257 6030259 6031722 6031723	7.731 404 850 306	9.664 505 1.063 383
	To støttehåndtak	GB208B080901	1.997	2.496

	NRF. NR.	ART. NR.	VEIL. PRIS EKS. MVA.	VEIL. PRIS INKL. MVA.
<p><b>2580 Badekar for innbygging</b> 1570x700 mm Høyre Ben til badekar for innbygging Overløpssystem Propp og vrider  To støttehåndtak</p>	6030258 6030259 6031722 6031723	GB2082580100 GB208B231500 GB2924300155 GB2924300156	7.731 404 850 306	9.664 505 1.063 383
<p><b>Tilvalg</b> <b>Skandic blandebatteri montert på badekarkanten</b></p> <p><b>Skandic termostatbatteri</b> Med uttrekkbar håndduj Multiplex Trio, fylling via overløp</p>	6030265 6030267	GB41217143 U90600361	3.989 3.921	4.986 4.901
<p><b>Skandic termostatbatteri</b> Med uttrekkbar håndduj Tut</p>	6030265 6030266	GB41217143 GB41638390	3.989 332	4.986 415
Ventilasjonsrist		UCCOM1003	2.104	2.630
<p><b>Håndtak</b> (angi plassering ved bestilling) 1 stk. 2 stk.</p>		GB208B090901 GB208B080901	996 1.997	1.245



**DUSJVEGGER**

**NQ halvrundt dusjhjørne AxB med skyvedører**

 NQ80G-C 80 x 80 cm, dør venstre, krom  
 NQ80G-C 80 x 80 cm, dør høyre, krom

 6301562  
 6301563

 UDW0080NAU221LN-61  
 UDW0080NAU221RN-61

 3.780  
 3.780

 4.725  
 4.725

 NQ90G-C 90 x 90 cm, dør venstre, krom  
 NQ90G-C 90 x 90 cm, dør høyre, krom

 6301564  
 6301565

 UDW0090NAU221LN-61  
 UDW0090NAU221RN-61

 3.617  
 3.617

 4.521  
 4.521

NE-C Utforingsprofil 40–65mm, krom

6301641

UPGUHWP-61

1.042

1.303

*NB! Alt av monteringsdeler ligger i høyre dørpakke.*
**(UTGÅENDE PRODUKTER)**

 NQ100G-C 100 x 100 cm, dør venstre, krom  
 NQ100G-C 100 x 100 cm, dør høyre, krom

 6301566  
 6301567

 UDW0100NAU221LN-61  
 UDW0100NAU221RN-61

 4.029  
 4.029

 5.036  
 5.036

 NQ80G-W 80 x 80 cm, dør venstre, hvit  
 NQ80G-W 80 x 80 cm, dør høyre, hvit

 6301552  
 6301553

 UDW0080NAU221LN-01  
 UDW0080NAU221RN-01

 3.780  
 3.780

 4.725  
 4.725

 NQ90G-W 90 x 90 cm, dør venstre, hvit  
 NQ90G-W 90 x 90 cm, dør høyre, hvit

 6301554  
 6301555

 UDW0090NAU221LN-01  
 UDW0090NAU221RN-01

 3.531  
 3.531

 4.414  
 4.414

 NQ100G-W 100 x 100 cm, dør venstre, hvit  
 NQ100G-W 100 x 100 cm, dør høyre, hvit

 6301556  
 6301557

 UDW0100NAU221LN-01  
 UDW0100NAU221RN-01

 4.029  
 4.029

 5.036  
 5.036

NE-W Utforingsprofil, 40–65 mm, hvit

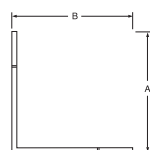
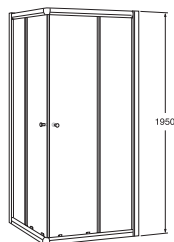
6301639

UPGUHWP-01

784

980




**NC firkantet dusjhjørne AxB med skyvedører**

 NC80G-C, 80x80 cm, dør venstre, krom  
 NC80G-C, 80x80 cm, dør høyre, krom

NRF. NR.

ART. NR.

 VEIL. PRIS  
EKS. MVA.

 VEIL. PRIS  
INKL. MVA.

 6301591  
6301592

 UDW0080NAU222LN-61  
UDW0080NAU222RN-61

 3.487  
3.487

 4.359  
4.359

 NC90G-C, 90x90 cm, dør venstre, krom  
 NC90G-C, 90x90 cm, dør høyre, krom

 6301593  
6301594

 UDW0090NAU222LN-61  
UDW0090NAU222RN-61

 3.167  
3.167

 3.959  
3.959

NE-C Utforingsprofil 40–65 mm, krom

6301641

UPGUHWP-61

1.042

1.303

**NB! Alt av monteringsdeler ligger i høyre dørpakke.**

Forskjellige størrelser kan kombineres med hverandre.

**(UTGÅENDE PRODUKTER)**

 NC100G-C, 100x100 cm, dør venstre, krom  
 NC100G-C, 100x100 cm, dør høyre, krom

 6301595  
6301596

 UDW0100NAU222LN-61  
UDW0100NAU222RN-61

 3.776  
3.776

 4.720  
4.720

 NC80G-W 80 cm dør venstre, hvit  
 NC80G-W 80 cm dør høyre, hvit

 6301576  
6301577

 UDW0080NAU222LN-01  
UDW0080NAU222RN-01

 3.406  
3.406

 4.258  
4.258

 NC90G-W 90 cm, dør venstre, hvit  
 NC90G-W 90 cm, dør høyre, hvit

 6301578  
6301579

 UDW0090NAU222LN-01  
UDW0090NAU222RN-01

 3.091  
3.091

 3.864  
3.864

 NC100G-W 100 cm, dør venstre, hvit  
 NC100G-W 100 cm, dør høyre, hvit

 6301581  
6301582

 UDW0100NAU222LN-01  
UDW0100NAU222RN-01

 3.776  
3.776

 4.720  
4.720

NC810G-W Dusjhjørne, dør 80 cm venstre

6301576

UDW0080NAU222LN-01

3.406

4.257

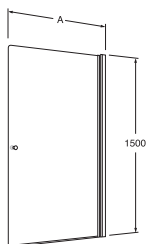
## Slagdører

	NRF. NR.	ART. NR.	VEIL. PRIS EKS. MVA.	VEIL. PRIS INKL. MVA.
	<b>SQ dusjhjørne AXB med buede slagdører</b> SQ80G buet slagdør 80 cm venstre, krom SQ80G buet slagdør 80 cm høyre, krom			
	6301605	UDW0080SKA201LN-61	4.098	5.123
	6301606	UDW0080SKA201RN-61	4.098	5.123
	SQ90G buet slagdør 90 cm venstre, krom SQ90G buet slagdør 90 cm høyre, krom			
	6301607	UDW0090SKA201LN-61	3.579	4.474
	6301608	UDW0090SKA201RN-61	3.579	4.474
	SC-E utføringsprofil til slagdører, krom 25 mm			
	6301543	UPGUYDG262-337	459	574
	<b>NB! Alt av monteringsdeler ligger i høyre dørpakke.</b> Forskjellige størrelser kan kombineres med hverandre.			
	<b>(UTGÅENDE PRODUKTER)</b> SQ100G buet slagdør 100 cm venstre, krom SQ100G buet slagdør 100 cm høyre, krom			
6301609	UDW0100SKA201LN-61	4.188	5.235	
6301611	UDW0100SKA201RN-61	4.188	5.235	
	<b>SC dusjhjørne med rette slagdører</b> SC80G rett slagdør 80 cm venstre, krom SC80G rett slagdør 80 cm høyre, krom			
	6301619	UDW0080SKA200LN-61	3.946	4.933
	6301621	UDW0080SKA200RN-61	3.946	4.933
	SC90G rett slagdør 90 cm venstre, krom SC90G rett slagdør 90 cm høyre, krom			
	6301622	UDW0090SKA200LN-61	3.579	4.474
	6301623	UDW0090SKA200RN-61	3.579	4.474
	SC-E utføringsprofil til slagdører, krom 25 mm			
	6301543	UPGUYDG262-337	442	552
	<b>NB! Alt av monteringsdeler ligger i høyre dørpakke.</b> Forskjellige størrelser kan kombineres med hverandre.			
	<b>(UTGÅENDE PRODUKTER)</b> SC100G rett slagdør 100 cm venstre, krom SC100G rett slagdør 100 cm høyre, krom			
6301624	UDW0100SKA200LN-61	4.045	5.056	
6301625	UDW0100SKA200RN-61	4.045	5.056	

**Dusjkabinetter med blandebatteri**

	NRF. NR.	ART. NR.	VEIL. PRIS EKS. MVA.	VEIL. PRIS INKL. MVA.
	<b>NACC firkantet hjørnekabinett med blandebatteri, krom profiler</b> Dørsats 90x90 cm, dusjsett, håndtak Bakvegger 90x90cm Dusjkar 90x90cm	6318318 UDW9090NOA120W-61 6318347 UDW9090NAC185W-61 6318325 UDL0905NOA1W-01	6.101 4.704 1.729	7.626 5.880 2.161
	<b>NACC firkantet hjørnekabinett med blandebatteri, hvite profiler</b> Dørsats 90x90 cm, dusjsett, håndtak Bakvegger 90x90cm Dusjkar 90x90cm	6318328 UDW9090NAC120W-01 6318339 UDW9090NAC185W-01 6318325 UDL0905NOA1W-01	5.957 4.650 1.729	7.446 5.813 2.161
<b>(UTGÅENDE PRODUKTER)</b>				
	<b>NACQ halvrunder hjørnekabinett med blandebatteri, krom profiler</b> Dørsats 90x90 cm, dusjsett, håndtak Bakvegger 90x90cm Dusjkar 90x90cm	6318346 UDW9090NAC164W-61 6318347 UDW9090NAC185W-61 6318345 UDL0905NAC4W-01	7.113 4.704 2.015	8.891 5.880 2.519
	<b>NACQ halvrunder hjørnekabinett med blandebatteri, med hvite profiler</b> Dørsats 90x90 cm, dusjsett, håndtak Bakvegger 90x90cm Dusjkar 90x90cm	6318338 UDW9090NAC164W-01 6318339 UDW9090NAC185W-01 6318345 UDL0905NAC4W-01	6.858 4.650 2.015	8.573 5.813 2.519
<b>(UTGÅENDE PRODUKTER)</b>				
<b>Dusjkabinetter uten blandebatteri</b>				
	<b>NCC firkantet hjørnekabinett, 80x80cm krom profiler</b> Dørsats 80x80 cm, dusjsett, håndtak Bakvegger 80x80cm Dusjkar 80x80cm	6318315 UDW8080NOC120W-61 6318316 UDW8080NOC185W-61 6318317 UDL0805NOC1W-01	6.350 2.339 1.458	7.938 2.924 1.823
	<b>NCC firkantet hjørnekabinett, 80x80cm hvite profiler</b> Dørsats 80x80 cm, dusjsett, håndtak Bakvegger 80x80cm Dusjkar 80x80cm	6318326 UDW8080NOC120W-01 6318327 UDW8080NOC185W-01 6318317 UDL0805NOC1W-01	5.150 1.974 1.458	6.438 2.468 1.823
<b>(UTGÅENDE PRODUKTER)</b>				
	<b>NCC firkantet hjørnekabinett, 90x90cm krom profiler</b> Dørsats 90x90 cm, dusjsett, håndtak Bakvegger 90x90cm Dusjkar 90x90cm	6318318 UDW9090NOA120W-61 6318319 UDW9090NOC185W-61 6318325 UDL0905NOA1W-01	6.101 2.339 1.729	7.626 2.924 2.161
	<b>(UTGÅENDE PRODUKTER)</b>			
	Rett kobling for tilkobling av blandebatteri (2 stk.)	6301993 GB41634002	181	226
<b>(UTGÅENDE PRODUKTER)</b>				

**Badekarvegger**



**LB badekarvegg**  
 LB70G badekarvegg 70 cm Krom/glass  
 LB80G badekarvegg 80 cm Krom/glass

NRF. NR.

ART. NR.

VEIL. PRIS  
EKS. MVA.

VEIL. PRIS  
INKL. MVA.

6301633  
6301635

UDW0070LOG170W-61  
UDW0080LOG170W-61

3.577  
3.715

4.471  
4.644

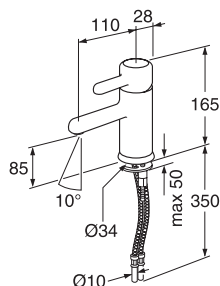


## Nordic<sup>3</sup> servantkraner

	NRF. NR.	ART. NR.	VEIL. PRIS EKS. MVA.	VEIL. PRIS INKL. MVA.
	<p><b>Nordic<sup>3</sup> servantkran</b></p> <p>Med bunnventil Uten bunnventil</p>	<p>4340391 4340389</p> <p>GB41213043 GB41213051</p>	<p>998 834</p>	<p>1.248 1.043</p>
	<p><b>Nordic<sup>3</sup> servantkran</b></p> <p>Med sidedusj og veggfeste</p>	<p>4340392</p> <p>GB41213061</p>	<p>1.473</p>	<p>1.841</p>
<h2>Nautic servantkraner</h2>				
	<p><b>Nautic servantkran</b></p> <p>Med oppløftsventil Med kjedefeste, uten bunnventil</p> <p><b>Tilbehør</b></p> <p>Push- down ventil</p>	<p>4340381 4340384</p> <p>GB41214041 GB41214047</p> <p>4343054</p> <p>GB41636575 01</p>	<p>1.337 883</p> <p>352</p>	<p>1.671 1.104</p> <p>440</p>
	<p><b>Nautic servantkran</b></p> <p>Med silventil</p>	<p>4340324</p> <p>GB41214043</p>	<p>1.329</p>	<p>1.661</p>
	<p><b>Nautic servantkran med 160 mm spak</b></p> <p>Med kjedefeste, uten bunnventil, krom Servantkran m/kjedefeste, støpt tut 150 mm, HC-spak</p>	<p>4340386 4341166</p> <p>GB41214047 64 GB41214045 64</p>	<p>1.255 1.693</p>	<p>1.569 2.116</p>

	NRF. NR.	ART. NR.	VEIL. PRIS EKS. MVA.	VEIL. PRIS INKL. MVA.
<p><b>Nautic servantkran med håndduşj og veggfeste</b></p> <p>Med oppløftsventil Med kjedefeste, uten bunnventil</p>	4340383 4340387	GB41214141 GB41214147	2.227 1.816	2.784 2.270
<p><b>Nautic servantkran med 150 mm utløpstut. Svingbar tut 80°</b></p> <p>Uten bunnventil</p>	4340302	GB41214045	1.367	1.709
<p><b>Nautic servantkran med 150 mm utløpstut. Svingbar tut 80°, med håndduşj og veggfeste</b></p> <p>Uten bunnventil</p> <p><b>Tilbehør</b></p> <p>Push- down ventil</p>	4340502  4343054	GB41214145  GB41636575 01	2.256  352	2.820  440
Nautic servantkran m/150 mm tut m/avst.kran	4340388	GB41214085	1.783	2.229
Nautic servantkran m/150 mm tut m/avst./sideduşj	4340503	GB41214185	2.674	3.343
Nautic servantkran m/150 mm tut forhøyd	4341165	GB41214245	1.918	2.398

## Logic servantkraner



### Logic servantkran

Classy Chrome med kjedefeste  
Spak for utbytting til farge:  
Sinful Black  
Perfect White  
Moody Blue  
Crazy Orange

NRF. NR.

ART. NR.

VEIL. PRIS  
EKS. MVA.

VEIL. PRIS  
INKL. MVA.

4340356

GB41214951

1.194

1.493

4342738

GB41638515 23

322

403

4342737

GB41638515 25

322

403

4342739

GB41638515 36

322

403

4342741

GB41638515 38

322

403

### Tilbehør

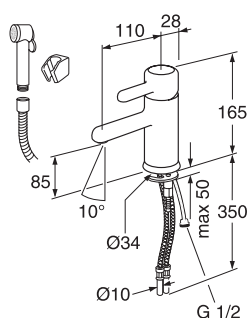
Push-down ventil

4343054

GB41636575 01

352

440



### Logic servantkran med håndduj og veggfeste

Classy Chrome med kjedefeste

### Spak for utbytting til farge:

Sinful Black  
Perfect White  
Moody Blue  
Crazy Orange

4340357

GB41214961

1.608

2.010

4342738

GB41638515 23

322

403

4342737

GB41638515 25

322

403

4342739

GB41638515 36

322

403

4342741

GB41638515 38

322

403

### Tilbehør

Push-down ventil, Classy Chrome

4343054

GB41636575 01

352

440

### Logic servantkran med håndduj, veggfeste og avstengning for vaskemaskin

Classy Chrome, uten oppløftsventil

4340358

GB41214991

2.121

2.651

### Tilbehør

Push-down ventil, Classy Chrome  
Silventil

4343054

GB41636575 01

352

440

4342653

GB41637445

451

564

### Spak og ratt for utbytting til farge:

Sinful Black  
Perfect White  
Moody Blue  
Crazy Orange

4342743

GB41638520 23

415

519

4342742

GB41638520 25

415

519

4342744

GB41638520 36

415

519

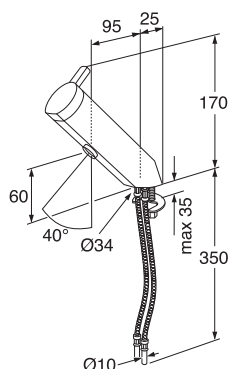
4342745

GB41638520 38

415

519

## Coloric servantkraner



### Coloric servantkran uten bunnventil

Sinful Black  
Rough Aluminium  
Passionate Red

4340365

GB41219051 23

2.091

2.614

4340366

GB41219051 46

2.091

2.614

4340369

GB41219051 49

2.091

2.614

### Tilbehør

Push-down ventil

4343054

GB41636575 01

352

440



	NRF. NR.	ART. NR.	VEIL. PRIS EKS. MVA.	VEIL. PRIS INKL. MVA.
	<b>Coloric servantkran uten bunnventil med håndduj og veggfeste</b>			
	4340303	GB41219151 23	2.805	3.506
	4340305	GB41219151 46	2.805	3.506
	4340311	GB41219151 49	2.805	3.506
<b>Tilbehør</b>				
4343054	GB41636575 01	352	440	
<b>Estetic servantkraner</b>				
	<b>Estetic servantbatteri uten bunnventil innholder under 0,1% bly</b>			
	4340328	GB41218051	1.893	2.366
	4340329	GB41218051 23	3.029	3.787
4340342	GB41218051 41	3.029	3.787	
	<b>Estetic servantbatteri, høy modell passer som kjøkkenbatteri eller for servant som er montert på benkeplate. Uten bunnventil.</b>			
	4340349	Gb41218251	2.698	3.373
	4340352	Gb41218251 23	4.318	5.397
	4340353	Gb41218251 41	4.318	5.397
	<b>Estetic push-downventil med proselenspropp</b>			
	6020278	GB41636575 25	701	877
	6020279	GB41636575 23	1.029	1.286
	6020281	GB41636575 41	1.029	1.286

**Berøringsfrie servantkraner**

	NRF. NR.	ART. NR.	VEIL. PRIS EKS. MVA.	VEIL. PRIS INKL. MVA.	
	<b>Nordic<sup>3</sup> berøringsfri servantkran</b>				
	Uten bunnventil	4340393	GB41213081	2.585	3.231
	<b>Tilbehør</b>				
	Push-down ventil	4343054	GB41636575 01	352	440
	<b>Nautic berøringsfri servantkran</b>				
	Uten bunnventil	4340325	GB41214081	2.874	3.593
	<b>Tilbehør</b>				
	Push-down ventil	4343054	GB41636575 01	352	440
	<b>Logic berøringsfri servantkran</b>				
	Uten bunnventil, Classy Chrome	4340359	GB41214981	3.126	3.908
	<b>Tilbehør</b>				
	Push-down ventil, Classy Chrome	4343054	GB41636575 01	352	440
	<b>Nautic termostat servantkran</b>				
	Med HC/spak, fast tut, krom	4341937	GB41215352	2.750	3.438
<b>Nautic bidé kran</b>					
	<b>Nautic bidékran med leddet strålesamler Med oppløftsventil</b>				
	Krom	4340501	GB41214071	1.801	2.251

## Nordic<sup>3</sup> dusjtermostat

	NRF. NR.	ART. NR.	VEIL. PRIS EKS. MVA.	VEIL. PRIS INKL. MVA.
<p><b>Nordic<sup>3</sup> dusjtermostat med dusjtilkopling nedover 150 c-c</b></p> <p>Krom</p>	4341941	GB41215604	1.274	1.593
<p><b>Nordic<sup>3</sup> dusjtermostat med dusjtilkopling oppover 150 c-c</b></p> <p>Krom</p>	4341942	GB41215624	1.600	2.000

## Nautic dusjtermostat

<p><b>Nautic vannbesparende dusjtermostat med dusjtilkopling nedover. 150 c-c</b></p> <p>Krom</p>	4341932	GB41215304	1.274	1.593
<p><b>Nautic dusjtermostat med dusjtilkopling oppover 150 c-c</b></p> <p>Krom</p>	4341935	GB41215324	1.600	2.000

<p><b>Nautic Combi vannbesparende termostat dusjpakke</b></p> <p>150 c-c.</p> <p><i>Dusjpakken består av: Blandebatteri: 4341932 Dusjsett krom: 4342896 med slange 1,75 m, veggstang med fester, glider, såpekopp</i></p>	4341939	GB41215387	1.780	2.225
---	---------	------------	-------	-------

<p><b>Dreibar badekartut</b></p> <p><i>Passer til dusjtermostater (produsert 01.2013 og senere).</i></p>	4342781	GB41638760	662	828
--	---------	------------	-----	-----

BLANDEBATTERIER

## Logic dusjtermostat

	NRF. NR.	ART. NR.	VEIL. PRIS EKS. MVA.	VEIL. PRIS INKL. MVA.
<p><b>Logic dusjtermostat med dusjtilkopling nedover 150 c-c</b></p> <p>Classy Chrome</p> <p><b>For utbytting til farge</b> <b>Sett med mengde- og temperaturred</b></p> <p>Sinful Black Perfect White Moody Blue Crazy Orange</p>	4341948	GB41214904	1.743	2.179
<p><b>Logic dusjtermostat med termostat og dusjtilkopling oppover 150 c-c</b></p> <p>Classy Chrome</p> <p><b>For utbytting til farge</b> <b>Sett med mengde- og temperaturred</b></p> <p>Sinful Black Perfect White Moody Blue Crazy Orange</p>	4341949	GB41214924	1.743	2.179
<b>Estetic dusjtermostat</b>				
<p><b>Estetic dusjtermostat med dusjtilkobling nedover, 150 c-c</b></p> <p>Krom Sort Matt hvitt</p>	4341975 4341976 4341977	GB41218304 GB41218304 23 GB41218304 41	2.198 3.557 3.557	2.747 4.446 4.446
<p><b>Estetic dusjtermostat med dusjtilkobling oppover, 150 c-c</b></p> <p>Krom Sort Matt hvitt</p>	4341982 4341983 4143984	GB41218324 GB41218324 23 GB41218324 41	2.434 3.922 3.922	3.043 4.903 4.903
<p><b>Estetic badekartut</b></p> <p>Krom Sort Matt hvitt</p>	4342798 4342799 4342801	GB41638860 GB41638860 23 GB41638860 41	1.349 2.022 2.022	1.686 2.527 2.527

## Coloric dusjtermostat

	NRF. NR.	ART. NR.	VEIL. PRIS EKS. MVA.	VEIL. PRIS INKL. MVA.	
	<b>Coloric dusjtermostat med dusjtilkopling nedover</b>				
	Sinful Black	4341885	GB41219204 23	2.133	2.666
	Rough Aluminium	4341886	GB41219204 46	2.133	2.666
	Passionate Red	4341889	GB41219204 49	2.133	2.666
	<b>Coloric dusjtermostat med dusjtilkopling oppover</b>				
	Sinful Black	4341892	GB41219224 23	2.133	2.666
	Rough Aluminium	4341893	GB41219224 46	2.133	2.666
	Passionate Red	4341899	GB41219224 49	2.133	2.666

## Nautic termostatbatteri til badekar

	<b>Nautic termostat badekarbatteri, fast badekartut og draomkaster/vender 150 c-c</b>			
	Krom	4341936	GB41215333	1.978
<b>Blandebatteriet består av:</b>				
Termostat dusjbatteri	4341932	GB41215304	1.274	1.593
Badekartut	4342905	GB41636820	561	701

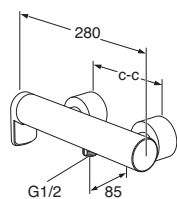
## Logic termostat badebatteri

	<b>Logic termostat badebatterier 150 c-c</b>			
	Classy Chrome	4340995	GB41214933	2.158
<b>For utbytting til farge</b>				
<b>Sett med mengde og temperaturratt</b>				
Sinful Black	4342747	GB41638528 23	452	565
Perfect White	4342746	GB41638528 25	452	565
Moody Blue	4342748	GB41638528 36	452	565
Crazy Orange	4342749	GB41638528 38	452	565

## Coloric termostat badebatteri

	<b>Coloric termostat badekarbatteri med draomkaster/vender</b>				
	Sinful Black	4341901	GB41219223 23	2.769	3.461
	Rough Aluminium	4341902	GB41219223 46	2.769	3.461
	Passionate Red	4341906	GB41219223 49	2.769	3.461

## Estetic ettgreps dusjbatterier



**Estetic dusjbatteri 150 c-c**  
Dusjtilkobling på undersiden

Krom  
Sort  
Matt hvitt

NRF. NR.

ART. NR.

VEIL. PRIS  
EKS. MVA.

VEIL. PRIS  
INKL. MVA.

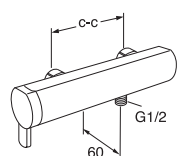
4341008  
4341009  
4341012

GB41218004  
GB41218004 23  
GB41218004 41

1.758  
2.813  
2.813

2.198  
3.516  
3.516

## Coloric ettgreps dusjbatteri



**Coloric dusjbatteri 150 c-c med eksenter for å montere som 160 c-c.**  
Dusjtilkobling på undersiden.

Sinful Black  
Rough Aluminium  
Passionate Red

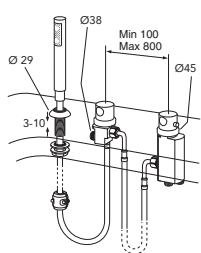
4340904  
4340905  
4340914

GB41219004 23  
GB41219004 46  
GB41219004 49

2.031  
2.031  
2.031

2.539  
2.539  
2.539

## Skandic blandebatteri montert på badekarkanten



**Skandic termostatbatteri**

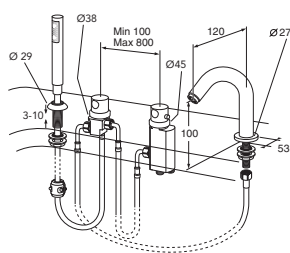
med uttrekkbar hånddusj  
Multiplex Trio, fylling via overløp

6030265  
6030267

GB41217143  
U90600361

3.989  
3.921

4.986  
4.901



**Skandic termostatbatteri**

med uttrekkbar hånddusj  
Tut

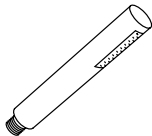
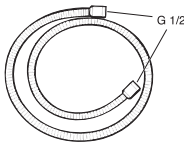
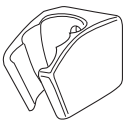
6030265  
6030266

GB41217143  
GB41638390

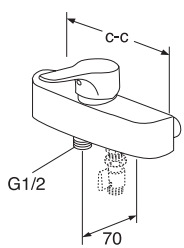
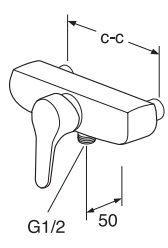
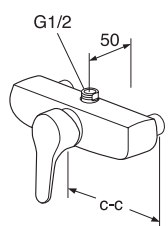
3.989  
332

4.986  
415

**Håndduj med veggfeste**

		NRF. NR.	ART. NR.	VEIL. PRIS EKS. MVA.	VEIL. PRIS INKL. MVA.
	Håndduj Scandic	4342687	GB41636596 00	452	565
	Slange til håndduj	4343811	GB41636266 00	131	164
	Veggfeste til håndduj	4340714	GB41637575	94	118

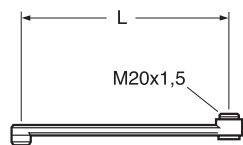
**Nautic ettgrepsbatterier for veggmontering**

	<b>Nautic veggbatteri med spak framover</b> Dusjtilkobling på undersiden og med ekstra vannutløp  150 c-c Rett kuleventil med avstengning, for ekstra vannuttak	4340941 4342639	GB41214004 FG079805705	1.267 157	1.584 197
	<b>Nautic veggbatteri med spak nedover</b> Dusjtilkobling på undersiden  150 c-c	4340943	GB41214014	1.667	2.084
	<b>Nautic veggbatteri med spak nedover</b> Dusjtilkobling på oversiden og plugget utløp på undersiden  150 c-c	4340944	GB41214024	1.787	2.234

## Nautic ettgreps badebatterier

	NRF. NR.	ART. NR.	VEIL. PRIS EKS. MVA.	VEIL. PRIS INKL. MVA.
<p><b>Nautic badebatteri med integrert tut og draomkaster/vender</b> 150 c-c</p> <p>Krom</p>	4340945	GB41214023	2.114	2.643
<p><b>Nautic badebatteri med fast tut og draomkaster /vender</b> 150 c-c</p> <p>Krom</p>	4340946	GB41214033	2.039	2.549
<p><b>Nautic badebatteri med svingbar tut og draomkaster/vender</b> 150 c-c</p> <p>Krom</p>	4340947	GB41214035	2.810	3.513
<h2>Logic ettgrepsbatterier for veggmontering</h2>				
<p><b>Logic ettgreps veggbatteri</b> 150 c-c</p> <p>Classy Chrome</p>	4340323	GB41214934	1.567	1.959
<p><b>Logic utløpstut til</b></p> <p>Badekar m/draomkaster /vender</p> <p>85mm utløpstut</p> <p>150mm utløpstut</p>	4342905 4342879 4342877	GB41636820 GB41633631 GB41633632	561 416 416	701 520 520
<p><b>Spak for utskiftning av farge:</b></p> <p>Sinful Black</p> <p>Perfect White</p> <p>Moody Blue</p> <p>Crazy Orange</p>	4342738 4342737 4342739 4342741	GB41638515 23 GB41638515 25 GB41638515 36 GB41638515 38	322 322 322 322	403 403 403 403



**Utløpstuter | Bunnventiler | Anslutningskoplinger  
Eksenterkoplinger | Veggfester**

**Utløpstuter og bunnventiler**

Utløpstut, rett svingbar 85 mm, fkr  
 Utløpstut, rett svingbar 150 mm, fkr  
 Utløpstut, rett svingbar 200 mm, fkr  
 Utløpstut, rett svingbar 250 mm, fkr  
 Utløpstut, rett svingbar 350 mm, fkr  
 Utløpstut, rett svingbar 400 mm, fkr  
 Utløpstut 945 mm (dobbl. svingbar)  
 f/veggbatteri

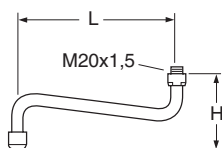
NRF. NR.

ART. NR.

 VEIL. PRIS  
EKS. MVA.

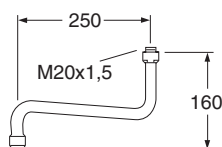
 VEIL. PRIS  
INKL. MVA.

4342879	GB41633631	416	520
4342877	GB41633632	416	520
4342878	GB41633633	554	693
4342868	GB41633614	574	718
4342625	GB41633616	733	916
4342626	GB41633624	766	958
4342811	GB41630151	1.597	1.996



S-tut 150 mm svingbar  
 S-tut 250 mm svingbar  
 S-tut 350 mm svingbar

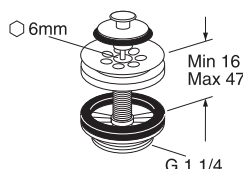
4342815	GB41630191	311	389
4342819	GB41630194	421	526
4342975	GB41630197	340	425



Utløpstut 250 mm svingbar  
 Fast utløpstut 140 mm  
 Omkasterhus m/draomkaster  
 /forskjellige tuter  
 Badekartut m/draomkaster  
 f/veggbatteri, fkr  
 Svingbar tut m/omkasterhus L=350  
 Selvstengende hånddusj m/slange  
 f/veggbatteri

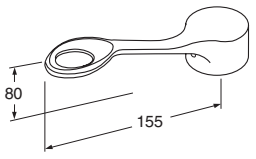
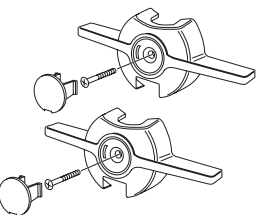
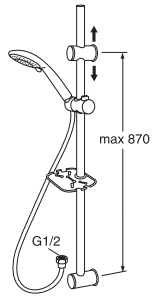
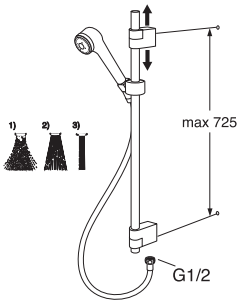
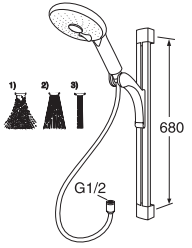
4342977	GB41630196	340	425
4342981	GB41630770	387	484
4342634	GB41637315	600	750
4342905	GB41636820	561	701
4342917	GB41635270	1.651	2.064
4343335	GB41634210	723	904

BLANDEBATTERIER


**Bunnventiler | Anslutningskoplinger  
Eksenterkoplinger | Veggfester**

Silventil m/overløp m/plugg, fkr  
 "Push down" ventil, fkr  
 Oppløftventil, ekskl. stang, krom  
 Stang f/oppløftventil 375 mm, krom  
 Blanderfeste f/utvendig rørføring  
 u/avstengning  
 Blanderfeste f/skjult rørføring  
 u/avstengning  
 Blanderfeste f/skjult rørføring  
 f/PEX-rør Dy 12x2,0 fkr  
 Blanderfeste f/skjult rørføring  
 f/PEX-rør Dy 15x2,5 fkr  
 Blanderfeste f/skjult rørføring  
 f/PEX-rør Dy 16x2,2 fkr  
 Kopl. sett f/PEX-rør Dy 12x2,0  
 f/blanderfeste  
 Eksenterkopling 3/4" x 1/2". Pr. stk.  
 Rett kobling f/dusjkabinett. Pr. par  
 Anslutningskobl. f/badebatteri  
 f/vulstmontering  
 Kuleventil rett f/veggbatteri  
 m/e.vannuttak m/foravst.  
 Vridbar tilkoblingsvinkel  
 f/oppvaskmaskin over benk  
 Avstengningskran f/oppv.maskin  
 f/benkemont, fkr  
 SoftPEX-slanger 2 stk. L=400mm  
 SoftPEX-slanger 2 stk. L=600 mm  
 Kobberrør 1 stk.  
 "Legionella" dreneringsventil f/mont.  
 mellom batteri/slange  
 Stabiliseringsstag

4342653	GB41637445	451	564
4343054	GB41636575 01	352	440
4342638	GB41637450	491	614
4343055	GB41630305	100	125
4343071	FG0115080	519	649
4343076	FG0115050	286	358
4343101	FG0115060	311	389
4343102	FG0115061	311	389
4343103	FG0115062	311	389
4343104	FP636142		
4343115	GB41631765 02	237	296
6301993	GB41634002	181	226
4343118	GB41634525	295	369
4342639	FG079805705	157	197
4343189	GB41635790 01	499	624
4340745	GB41205081	1.080	1.350
4342633	GB41637161 02	168	210
4342643	GB41637164 02	162	203
4342632	GB41636424 01	112	140
4342641	GB41635944 01	581	726
4342942	GB41638457	178	223

	NRF. NR.	ART. NR.	VEIL. PRIS EKS. MVA.	VEIL. PRIS INKL. MVA.
 <p><b>Spaker, kranoverdel f/sykehus/handikapbatterier</b></p> <p>Ettgreps HC spak Nautic. Rød/blå merking Spesialoverdel m/ker.tetn. f/216503 m/160 mm spak Nautic Ratt mengdeside f/termostatbatteri, krom Nautic Ratt temperaturside f/termostatbatteri, krom</p>  <p>HC vingspaker f/termostatbatteri, par Forlenget spak til alle Nautic ettgrepskraner, krom</p>	4342627	GB41637360 01	327	409
	4342994	GB41103017 23	237	296
	4342635	GB41637804 01	105	131
	4342636	GB41637810 01	105	131
	4342637	GB41637840 02	167	209
	4343366	GB41637250	227	284
<b>Dusjsett</b>				
 <p><b>Dusjsett I med 1,75 m slange</b></p> <p>Såpehylle med knagger er inkludert, Krom</p>	4342896	GB41103250	435	544
	<b>Dusjsett II med 1,75 m slange, krom</b>			
 <p><b>Dusjsett II med 1,75 m slange, krom</b></p>	4342628	GB41104053 00	825	1.031
	<b>Coloric dusjsett med 1,75 m slange</b>			
 <p><b>Coloric dusjsett med 1,75 m slange</b></p> <p>Sinful Black Rough Aluminium Passionate Red</p>	4342699	GB41103390 23	1.480	1.850
	4342701	GB41103390 46	1.480	1.850
	4342704	GB41103390 49	1.480	1.850

## Faste dusjsett

	NRF. NR.	ART. NR.	VEIL. PRIS EKS. MVA.	VEIL. PRIS INKL. MVA.
<p><b>G1 Dusjsett</b> inkl. Nordic<sup>3</sup> dusjtermostat</p> <p>150 c-c</p>	4342794	GB41215625	4.255	5.319
<p><b>G2 Dusjsett</b> inkl. Nordic<sup>3</sup> dusjtermostat</p> <p>150 c-c</p>	4342795	GB41215620	4.255	5.319
<p><b>G1 Dusjsett inkl. Nautic dusjtermostat</b></p> <p>150 c-c</p> <p>G1 Dusjsett uten blandebatteri, for kombinasjon med blandebatteri med dusjtilkobling på oversiden</p> <p><b>Består av:</b> Fast takdusj Hånddusj på glider Draomkaster/vender 1,75 m metallomspunnet slange</p>	4343681 4342931	GB41215325 GB41103225	4.387 3.289	5.484 4.111
<p><b>Tilbehør</b></p> <p>Kit for montering på dusjbatteri som har dusjtilkobling på undersiden</p>	4342933	GB41638464	335	419
<p><b>G2 Dusjsett inkl. Nautic dusjtermostat</b></p> <p>150 c-c</p> <p>G2 Dusjsett uten blandebatteri, for kombinasjon med blandebatteri med dusjtilkobling på oversiden</p> <p><b>Består av:</b> Fast takdusj Hånddusj på glider Draomkaster/vender 1,75 m metallomspunnet slange</p>	4343682 4342932	GB41215320 GB41103220	4.387 3.289	5.484 4.111
<p><b>Tilbehør</b></p> <p>Kit for montering på dusjbatteri som har dusjtilkobling på undersiden</p>	4342933	GB41638464	335	419

BLANDEBATTERIER

		NRF. NR.	ART. NR.	VEIL. PRIS EKS. MVA.	VEIL. PRIS INKL. MVA.
	Dusjsett Legionella m/dren.ventil, veggfeste, spiralslange	4342712	GB41103216	1.799	2.249
	Fast dusjrør m/sil f/montering på overside termostatbatteri Klammer for fast dusjrør Sporenippel 12 l/min.	4342655 4342656 4342666	GB41103305 GB41633748 GB41103615	1.015 206 62	1.269 258 78
<b>Nordic<sup>3</sup> kjøkkenkran</b>					
	<b>Nordic<sup>3</sup> kjøkkenkran med høy tut, uten avstengning for oppvaskmaskin</b>  Krom	4340695	GB41203056	1.228	1.535
	<b>Nordic<sup>3</sup> kjøkkenkran med høy tut, med avstengning for oppvaskmaskin</b>  Krom	4340696	GB41203096	1.586	1.983
<b>Nautic kjøkkenkran</b>					
	<b>Nautic kjøkkenkran med høy tut, uten avstengning for oppvaskmaskin</b>  Krom	4340765	GB41204056	1.304	1.630
	<b>Nautic kjøkkenkran med høy tut, med avstengning for oppvaskmaskin</b>  Krom Tilkoplingsvinkel for oppvaskmaskin på benk	4340766 4343189	GB41204096 GB41635790 01	1.723 499	2.154 624

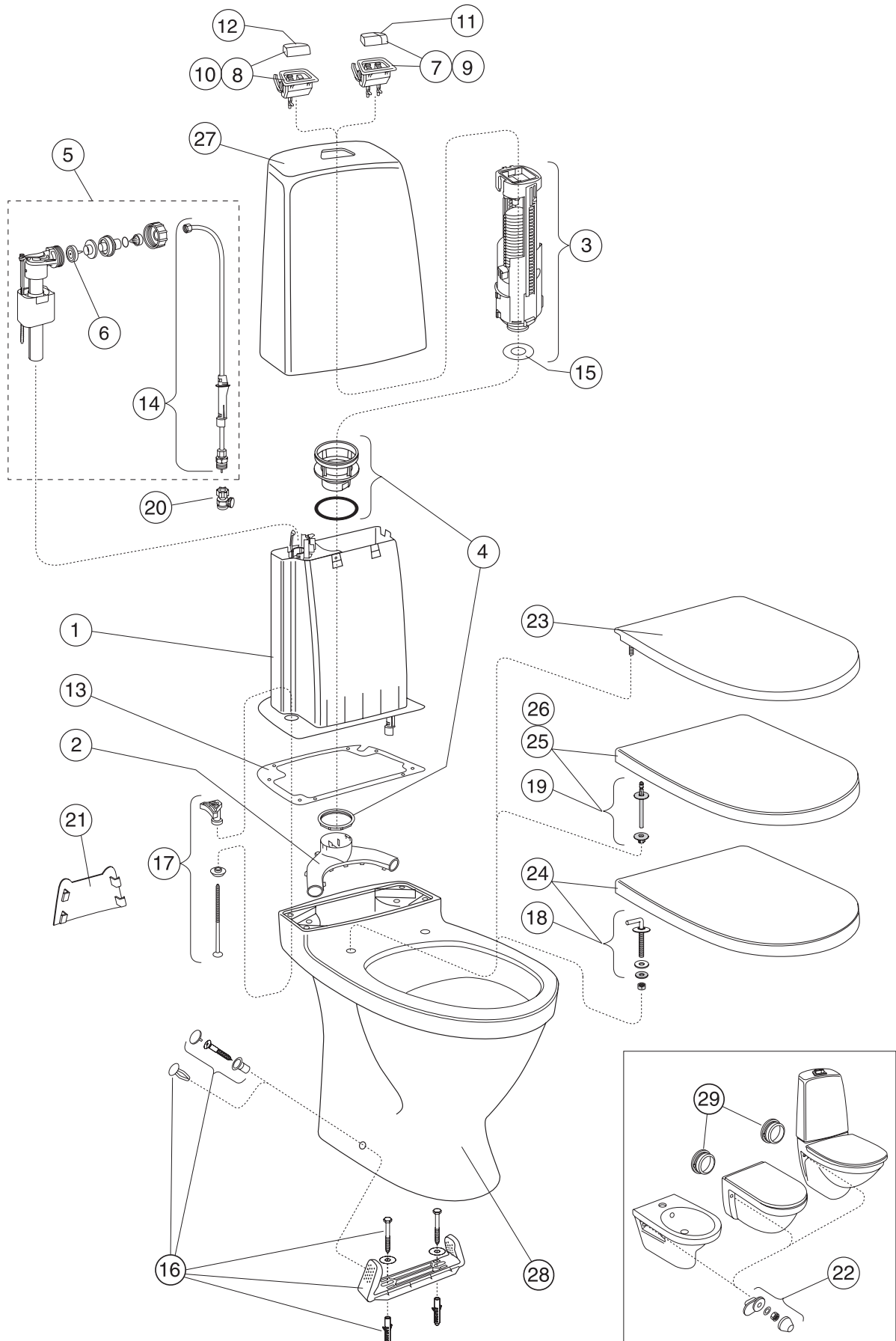
	NRF. NR.	ART. NR.	VEIL. PRIS EKS. MVA.	VEIL. PRIS INKL. MVA.
	4340778	GB41204057	1.335	1.669
	4340779 4343189	GB41204097 GB41635790 01	1.764 499	2.205 624
	4340767	GB41204055	1.304	1.630
	4340768	GB41204155	2.297	2.871
	4340769	GB41204155 88	2.520	3.150
	4340771	GB41204095	1.723	2.154
	4340772	GB41204195	2.717	3.396
	4340773	GB41204195 88	2.941	3.676
	4343189	GB41635790 01	499	624

	NRF. NR.	ART. NR.	VEIL. PRIS EKS. MVA.	VEIL. PRIS INKL. MVA.	
	<b>Nautic kjøkkenkran for veggmontering med svingbar tut på oversiden.</b> Blandebatteriet består av veggbatteri med dusjtilkopling oppover, med lugget uttak nedover.				
	Krom	4340944	GB41214024	1.787	2.234
<b>Tut for montering på oversiden</b>					
Krom	4342624	GB41630184	574	718	
	<b>Nautic kjøkkenkran for veggmontering med svingbar tut (undermontert) og med ekstra vannuttak.</b> Batteriet har tilkopling ned, pluggede tilkoplinger for ekstra vannuttak og tilbakeslagsventiler i innløpet.				
	<b>Blandebatteriet består av:</b>				
Forspylingsbatteri med ekstra vannuttak	4341163	GB41214264	1.787	2.234	
Svingbar utløpstut 250 mm, rett	4342868	GB41633614	574	718	
	Nautic storkjøkken termostatbatt. (160 c-c)/tilbakeslagsventiler, tut 350mm Forspylingsdusj, tot.høyde 1000 mm Forhøyningsrør m/tilkopl. f/benkemontering				
	4340677	GB41205361	2.694	3.368	
	4342125 4343141	GB41631773 GB41102817	5.518	6.898	
<b>Logic kjøkkenkran</b>					
	<b>Logic kjøkkenkraner med høy tut</b>				
	Classy Chrome	4340692	GB41204956	1.701	2.126
	<b>Spak for utskiftning av farge:</b>				
	Sinful Black	4342738	GB41638515 23	322	403
	Perfect White	4342737	GB41638515 25	322	403
	Moody Blue	4342739	GB41638515 36	322	403
	Crazy Orange	4342741	GB41638515 38	322	403
Avstengningskran f/oppv.maskin f/benkemont.fkr	4340745	GB41205081	1.080	1.350	
	<b>Logic kjøkkenkraner med høy tut og avstenging for oppvaskmaskin</b>				
	Classy Chrome	4340693	GB41204996	2.112	2.640
	<b>Spak og ratt for utskiftning av farge:</b>				
	Sinful Black	4342743	GB41638520 23	415	519
	Perfect White	4342742	GB41638520 25	415	519
	Moody Blue	4342744	GB41638520 36	415	519
	Crazy Orange	4342745	GB41638520 38	415	519

	NRF. NR.	ART. NR.	VEIL. PRIS EKS. MVA.	VEIL. PRIS INKL. MVA.		
	<b>Logic kjøkkenkran med høy tut og dusjmunnstykke</b>					
	Classy Chrome					
	<b>Spak og ratt for utskiftning av farge:</b>					
	Sinful Black		GB41638515 23		322	403
	Perfect White		GB41638515 25		322	403
Moody Blue		GB41638515 36		322	403	
Crazy Orange		GB41638515 38		322	403	
	<b>Logic kjøkkenkran med høy tut, dusjmunnstykke og avstengning for oppvaskmaskin.</b>					
	Classy Chrome					
	<b>Spak og ratt for utskiftning av farge:</b>					
	Sinful Black		GB41638520 23		415	519
	Perfect White		GB41638520 23		415	519
Moody Blue		GB41638520 36		415	519	
Crazy Orange		GB41638520 38		415	519	
<b>Coloric kjøkkenkran</b>						
	<b>Coloric kjøkkenkran</b>					
	Sinful Black		GB41209055 23		3.663	4.579
	Rough Aluminium		GB41209055 46		3.663	4.579
	Passionate Red		GB41209055 49		3.663	4.579
<b>Tilbehør</b>						
Avstengningskran for oppvaskmaskin for benkemontering		GB41205081		1.080	1.350	
<b>Utekran</b>						
	<b>Frostsikker med typegodkjent tilbakeslagsventil og nøkkel</b>					
	Selvdrenerende, 400mm Butikkpkn. Kartong		FG0105062		821	1.026
	Selvdrenerende, 400mm Leveres i 10 pkn.		FG0105060		782	978
Selvdrenerende, 1000mm		FG0105070		1.816	2.270	
	<b>Utekran med typegodkjent tilbakeslagsventil og ratt</b>					
	Selvdrenerende, 400mm		FG0105061		1.166	1.458
	<b>T-rør med vakuumentil</b>					
Monteres i rørledning foran utekranen		FG0640857		614	768	



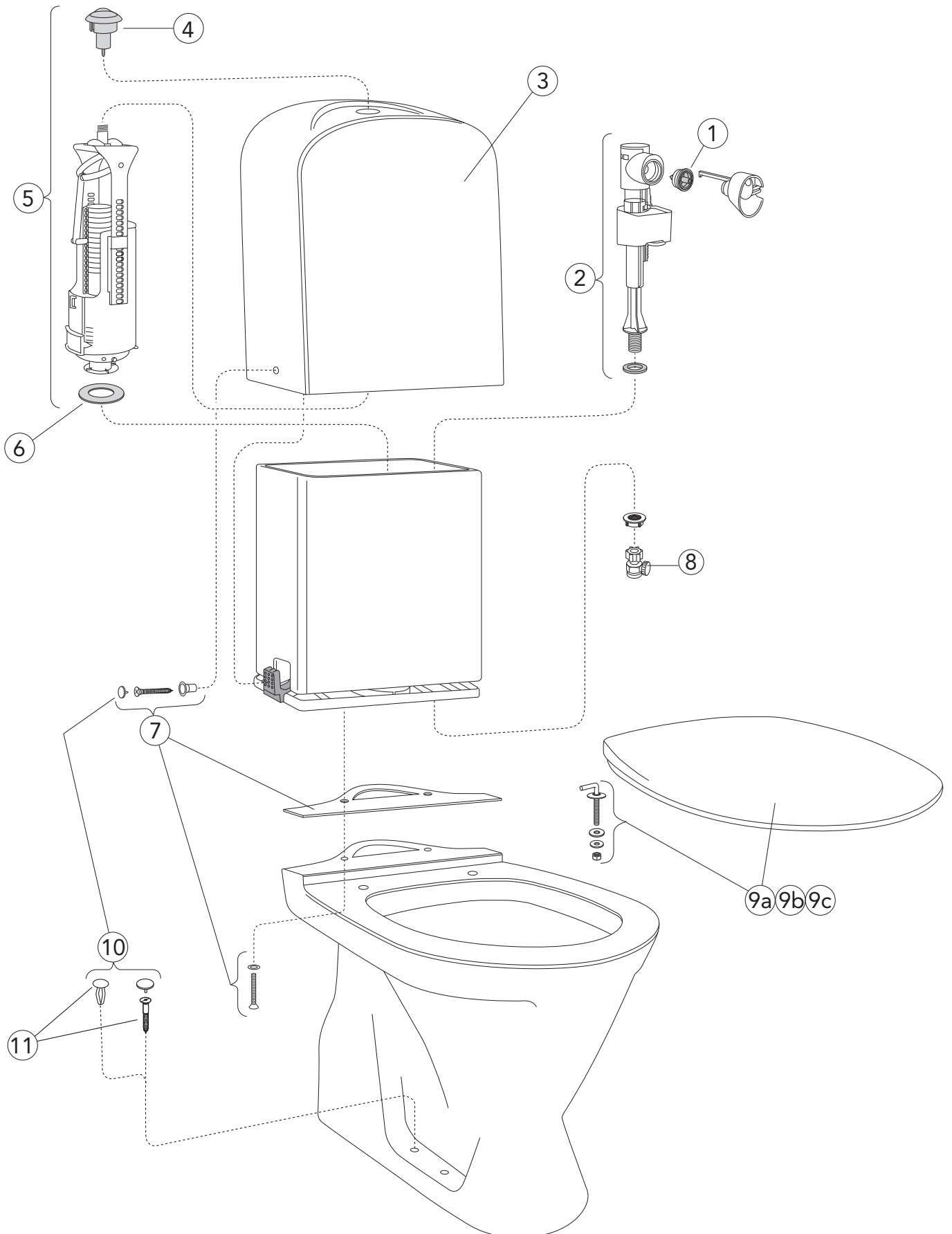




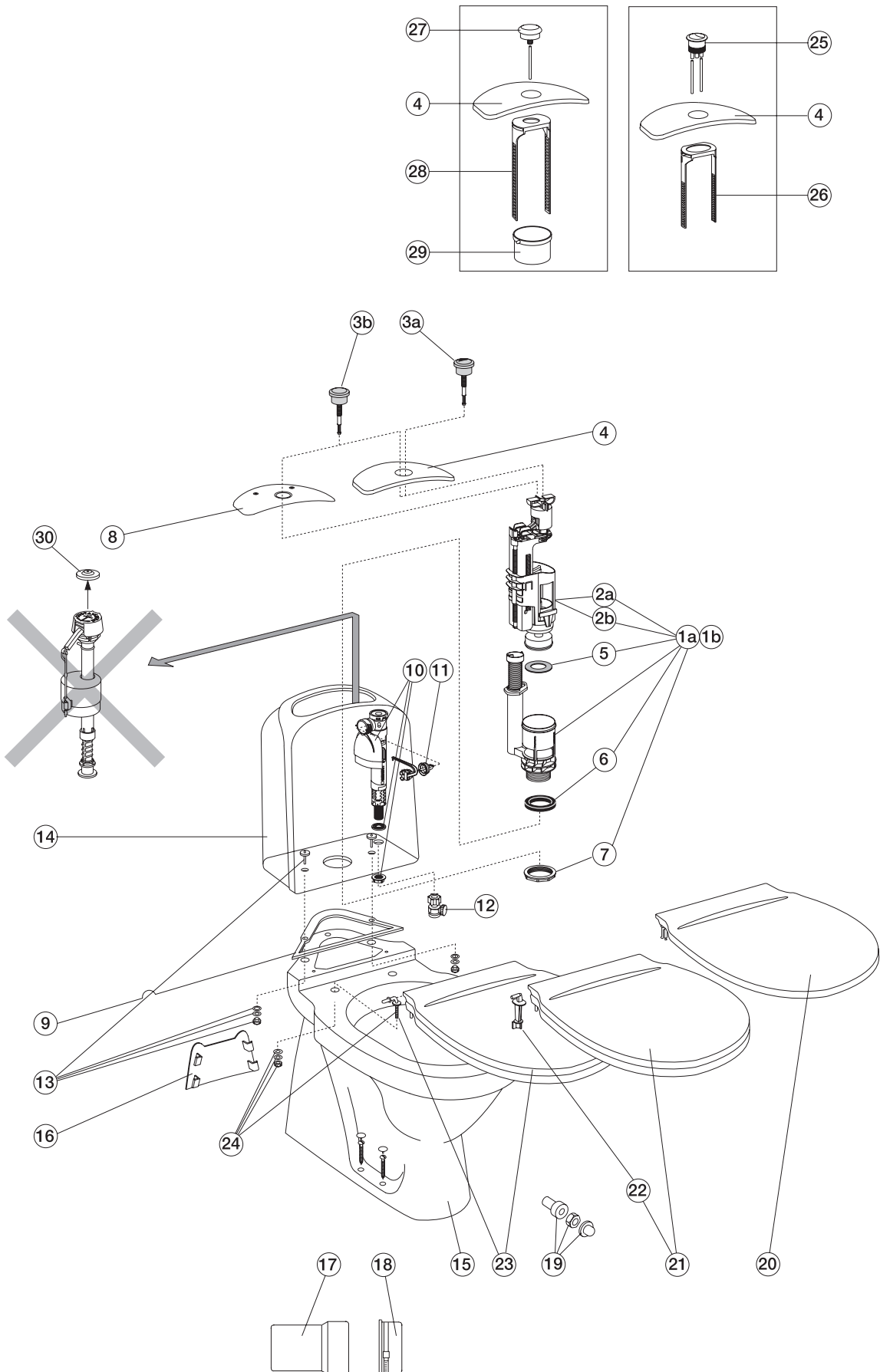
RESERVEDELER



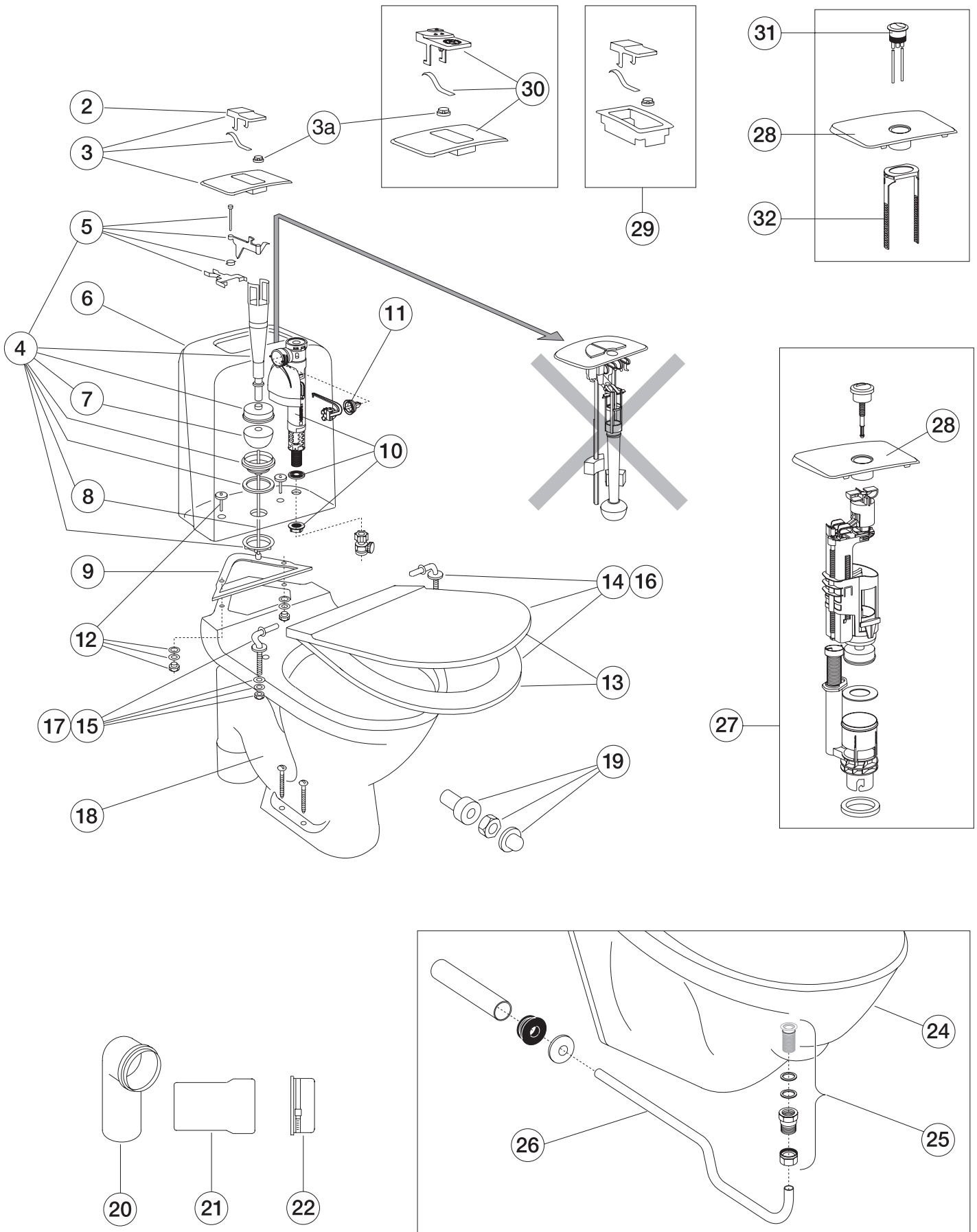
DETALJENUMMER OG PRODUKT	NRF. NR.	ART. NR.	VEIL. PRIS EKS. MVA.	VEIL. PRIS INKL. MVA.
1 Plastsisterne komplett	6025601	GB19299P0100	1.061	1.326
2 Spylørør	6025602	GB19299P0101	106	133
3 Utløpsventil	6025603	GB19299P0102	397	496
4 Bunnventilsett	6025604	GB19299P0103	106	133
5 Flottørventil	6025605	GB19299P0105	397	496
6 Membran	6025606	GB19299P0106	80	100
7 Trykknapp duo, hvit, komplett	6025748	GB19299P0108	140	175
8 Trykknapp enkel, hvit, komplett	6025746	GB19299P0109	140	175
9 Trykknapp duo, krom, komplett	6025749	GB19299P0110	140	175
10 Trykknapp enkel, krom, komplett	6025747	GB19299P0111	140	175
11 Trykknapp duo, krom	6025614	GB19299P0112	132	165
12 Trykknapp enkel, krom	6025615	GB19299P0113	132	165
13 Sистерepakning	6025616	GB19299P0114	54	68
14 Innløpsrør	6025617	GB19299P0116	185	231
15 Ventilhuspakning	6025812	GB19299TK962	67	84
16 Gulvfeste	6025689	92242500	158	198
17 Sisternebolter	6025622	92226100	132	165
18 Faste hengsler til nye Nautic seter		92241361	716	895
19 Hengsler til nye Nautic seter m/SC/QR		92241461	716	895
Støtputer til nye Nautic seter		92242001	38	48
Soft Close demper til nye Nautic seter		92242400	160	213
20 Avstengningsventil	6025675	GB1929900503	117	146
21 Dekkluke for klosett 5500	6025833	GB1929903410	140	175
22 Festedetaljer klosett 5530/5522	6025677	92207401	128	160
23 Nautic standard propensete, hvit	6025425	9M246101	217	271
24 Nautic lux-sete i hardplast m/rustfrie fester	6025426	9M256101	653	816
25 Nautic lux-sete m/SC/QR , h vitt	6025427	9M26S101	1.042	1.303
26 Nautic lux-sete m/SC/QR , svart	6025428	9M26S136	1.380	1.725
27 Porselensisterne	6025619	GB185580001200	1.061	1.326
28 Skål f/5500	6023641	GB185500001200	2.628	3.285
Skål f/ 5500 med C+	6023642	GB1855000R1200	3.251	4.064
Skål f/5510	6023643	GB185510001200	3.251	4.064
Skål f/5510 med C+	6023644	GB1855100R1200	3.251	4.064
Skål f/5520 med C+	6023646	GB1855200R1200	4.378	5.473
29 Mansjett med slangeklemme for stuss	6025835	GB1929900021	226	283
Gulvfeste for bidé	6025847	GB1929900381	158	198
Nautic Vandalsikker trykknapp, enkelspyling. Rustfritt/svart.	6025669	GB19299NV036	844	1.055
Hengsler Nautic HC-seter	6025758	GB88306000	355	444
Lav spyleknapp komplett (1500 Hygienic Flush)		GB19299P0210	140	175
Lav spyleknapp, stor og liten (1500 Hygienic Flush)		GB19299P0212	132	165



DETALJENUMMER OG PRODUKT	NRF. NR.	ART. NR.	VEIL. PRIS EKS. MVA.	VEIL. PRIS INKL. MVA.
1 Membran		GB19299P0206	80	100
2 Innløpsventil	6025893	GB1929901972	522	653
3 Sisterne (lokk)		GB184700001200	1.061	1.326
4 Trykknapp		GB19299P0201	188	235
5 Utløpsventil med trykknapp		GB19299P0202	397	496
6 Bunnpakning	6025812	GB19299TK962	67	84
7 Skruer og sisternepakning		GB19299P0204	186	233
8 Avstengningsventil	6025675	GB1929900503	117	146
9a Propensete	6025456	9M646101	210	263
9b Sete for Saval 2.0/Nordic3	6096502	8780G101	572	715
9c Rustfrie hengsler f/Saval 2.0/Nordic3		92241961	127	159
10 Poser med propper		GB19299P0207	33	41
11 Skruer gulv: 4 skruer, 4 dekkpropper, 4 limpropper		GB1929900365	64	80

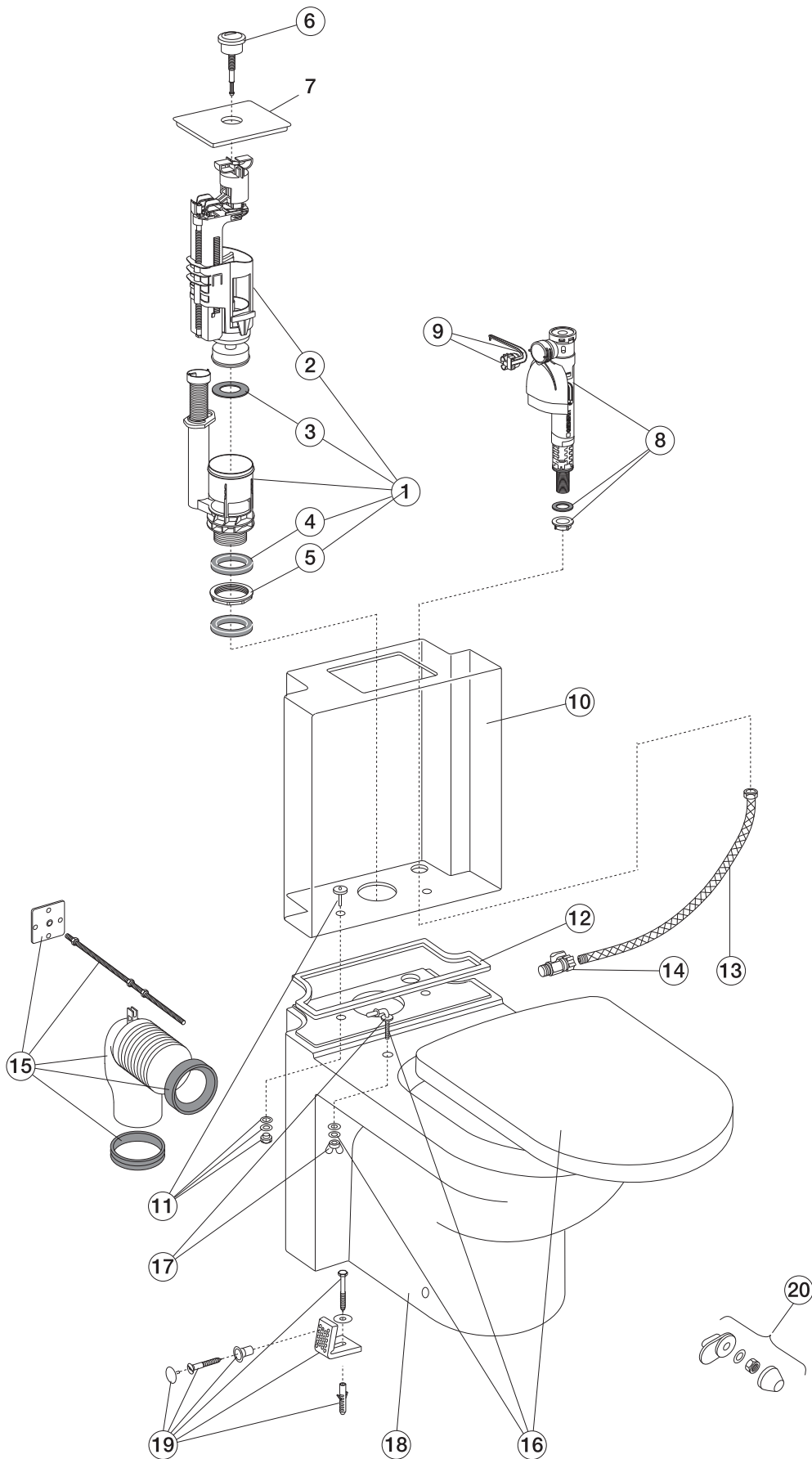


DETALJENUMMER OG PRODUKT	NRF. NR.	ART. NR.	VEIL. PRIS EKS. MVA.	VEIL. PRIS INKL. MVA.
1a T2 Komplette ventil, duo	6025887	GB19299T2956	594	743
1b T2 Komplette ventil, enkel	6025889	GB19299T2958	569	711
2a T2 Ventilhus Duo	6025884	GB19299T2953	220	275
2b T2 Ventilhus Enkel	6025885	GB19299T2954	220	275
3a T2 Trykknapp Duo, krom	6025882	GB19299T2951	188	235
3b T2 Trykknapp Enkel, krom	6025883	GB19299T2952	179	224
4 T2/T1/K sisternelokk, hvit	6024962	GB19299K1931	158	198
Sisternelokk matt krom f/Nordic Star	6025632	GB19299S1931	215	269
5 T2/T1/K Ventilhuspakning	6025812	GB19299TK962	67	84
6 T2/T1/K bunnventilpakning	6025831	GB19299TK961	63	79
7 T2/T1/K mutter til bunnventil	6025813	GB19299TK960	54	68
8 T2 sisternelokk Public 6 ltr.rustfritt	6025353	GB1929901991	641	801
9 Systernepakning	6026555	GB1929900320	64	80
10 GB Universal flottørventil	6025893	GB1929901972	522	653
*) GB Flottørventil for sideforbinding	6025896	GB1929901974	597	746
11 GB Membran/hus sett universal	6025895	GB1929901979	122	153
12 Avstengningsventil	6025675	GB1929900503	117	146
13 Systernebolt	6026527	GB1929900319	149	186
14 Systerne	6092501	GB182200001200	1.439	1.799
15 Skål 2300, hvit	6090202	GB182300001200	2.628	3.285
Skål 2300 med C+	6023601	GB1823000R1200	3.251	4.064
Skål 2310, hvit	6090203	GB182310001200	2.628	3.285
Skål 2310 med C+	6023602	GB1823100R1200	3.251	4.064
Skål 2340, hvit	6090205	GB182340001200	4.364	5.455
Skål 2340 med C+	6023668	GB1823400R1200	4.988	6.235
Skål 2350, hvit	6023603	GB182350001200	4.364	5.455
Skål 2350 med C+	6023609	GB1823500R1200	4.988	6.235
Skål 2391, hvit	6023629	GB182391001200	2.668	3.335
16 Dekkluge f/2300, 2340	6025833	GB1929903410	140	175
17 Overgangsrør veggmont. 2320	6025834	GB1929900312	153	191
18 Mansjett med slangeklemme for stuss	6025835	GB1929900021	226	283
19 Veggmontasjesats, hvit til klosett 2320	6025836	GB1929900325	128	160
Veggmont.sett f/ 2330 (for ovale bolthull)	6025677	92207401	128	160
20 Nordic standard propensete, hvitt	6096503	GB1919902002	210	263
21 Nordic hardplastsete(Polypipe) m/rustfrie fester	6096505	GB1919901211	544	680
Nordic hardplastsete med soft close, hvitt	6025507	GB1919902055	1.042	1.303
Nordic hardplastsete m/soft close, sort	6025405	GB1919902065	1.309	1.636
Nordic lux-sete m/rustfrie fester	6096504	GB1919902070	815	1.019
22a Rustfrie fester f/hardplastsete(Polypipe)-2007	6025671	GB1911101291	302	378
23 Lift-off setefester (par)	6025684	GB1919901839	171	214
24 Rustfrie fester f/lux-sete(Pressalit)	6025838	GB1919901834	302	378
24a Festedetaljer for soft close seter (par)	6025631	GB1919901845	435	544
25 T1 komplett knapp, Duo, fkr.	6025808	GB19299T1951	188	235
26 T1 Festeboyle, Duo	6025807	GB19299T1956	155	194
27 K komplett knapp, enkel, 6 ltr	6025816	GB19299K1951	179	224
28 K festeboyle, enkel, 6 ltr	6025815	GB19299K1956	155	194
29 K adapter, til 6 ltr, Kega till Twico II (gammel-ny utløpsventil)	6025798	GB19299KT959	92	115
Skruepose (skruer/plugger/limplugger 4 st)	6025633	GB1929900365	64	80
Limplugger f/festehull i foten (4 st)	6025634	GB1929900168	33	41
Forhøyningssokkel f/2300	6025701	GB1927634600	1.548	1.935
Forhøyningssokker f/2310	6025704	GB1927569710	1.548	1.935
Hengsler Nordic HC-seter	6025759	GB88306051	355	444



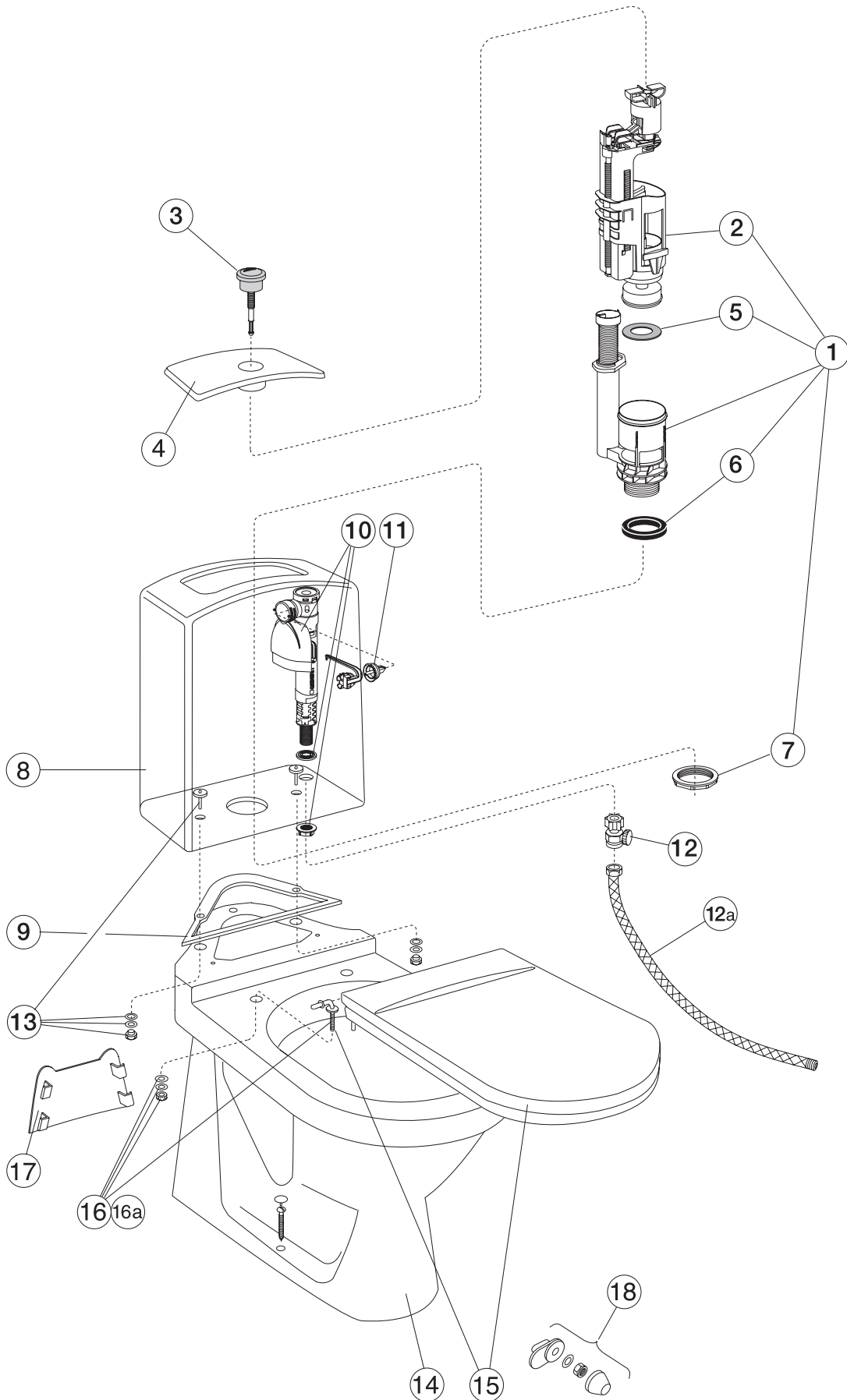
DETALJENUMMER OG PRODUKT	NRF. NR.	ART. NR.	VEIL. PRIS EKS. MVA.	VEIL. PRIS INKL. MVA.
3 ST-17 Sisternelokk med trykknapp, hvit	6026591	GB1929900283	261	326
3a Lokkmutter	6025686	GB1929901545	52	65
4 ST-Bunnventil	6026581	GB1929900282	296	370
5 ST-22 Løfteanordning	6026373	GB1929900209	110	138
6 Sистерne uten lokk, uten armatur	6024346	GB1042900101	1.439	1.799
Ditto til klosett 398	6025756	GB1042980101	2.060	2.575
7 Ventilball Universal	6026212	GB1929900260	91	114
8 ST-2 senterstang	6025845	GB1929900347	68	85
9 Sистерnepakning	6026555	GB1929900320	64	80
10 GB Flottørventil	6025893	GB1929901972	522	653
*) GB Flottørventil sidekoplet	6025896	GB1929901974	597	746
11 GB Membransett	6025895	GB1929901979	122	153
12 Sистерnebolt	6026527	GB1929900319	149	186
13 Standardsete	6025412	GB1919901702	210	263
14 Hardplastsete	6025421	GB1919901201	545	681
15 Plastfester	6025849	GB1911101281	278	348
16 Hardplastsete med rustfrie fester, hvit	6025414	GB1919901950	823	1.029
17 Rustfrie fester (par)	6026519	GB1919901831	302	378
18 Skål f/ 339	6025682	GB1043390101	4.727	5.909
Skål f/390	6023658	GB1043900101	2.275	2.844
Skål f/ 391	6025683	GB1043910101	2.514	3.143
Skål f/392/398 P-lås, hvit	6023661	GB1043920101	2.481	3.101
Skål f/394	6023663	GB1043940101	3.738	4.673
Skål f/ 395	6023664	GB1043950101	4.934	6.168
19 Veggmonteringssett, hvitt	6025836	GB1929900325	128	160
20 Avløpsstuss til klosett 392, 398	6025699	GB1929900310	277	346
21 Overgangsrør, veggmontering	6025834	GB1929900312	153	191
22 Mansjett med slangeklemme for stuss	6025835	GB1929900021	226	283
25 Tilkopling f/urinsepareringsrør	6025681	GB41635960	107	134
27 U2 Utskifningsventil Nordic Duo	6025793	GB19299U2937	594	743
28 U2/U1 lokk f/utskifningsventil duo, hvit	6025839	GB19299U1931	158	198
29 NT-27 Trykknapp/Ramme, Arctic, hvit**	6026389	GB1929900324	168	210
30 Sisternelokk m/trykknapp til Nordic Duo	6026592	GB1929900361	277	346
31 T1 komplett knapp, Duo	6025808	GB19299T1951	188	235
32 T1 festeboyle, Duo	6025807	GB19299T1956	155	194
Keramisk gummi	6025842	GB1923100802	381	476
Trykknapp for 394		GB19299S3951	188	235





RESERVEDELER

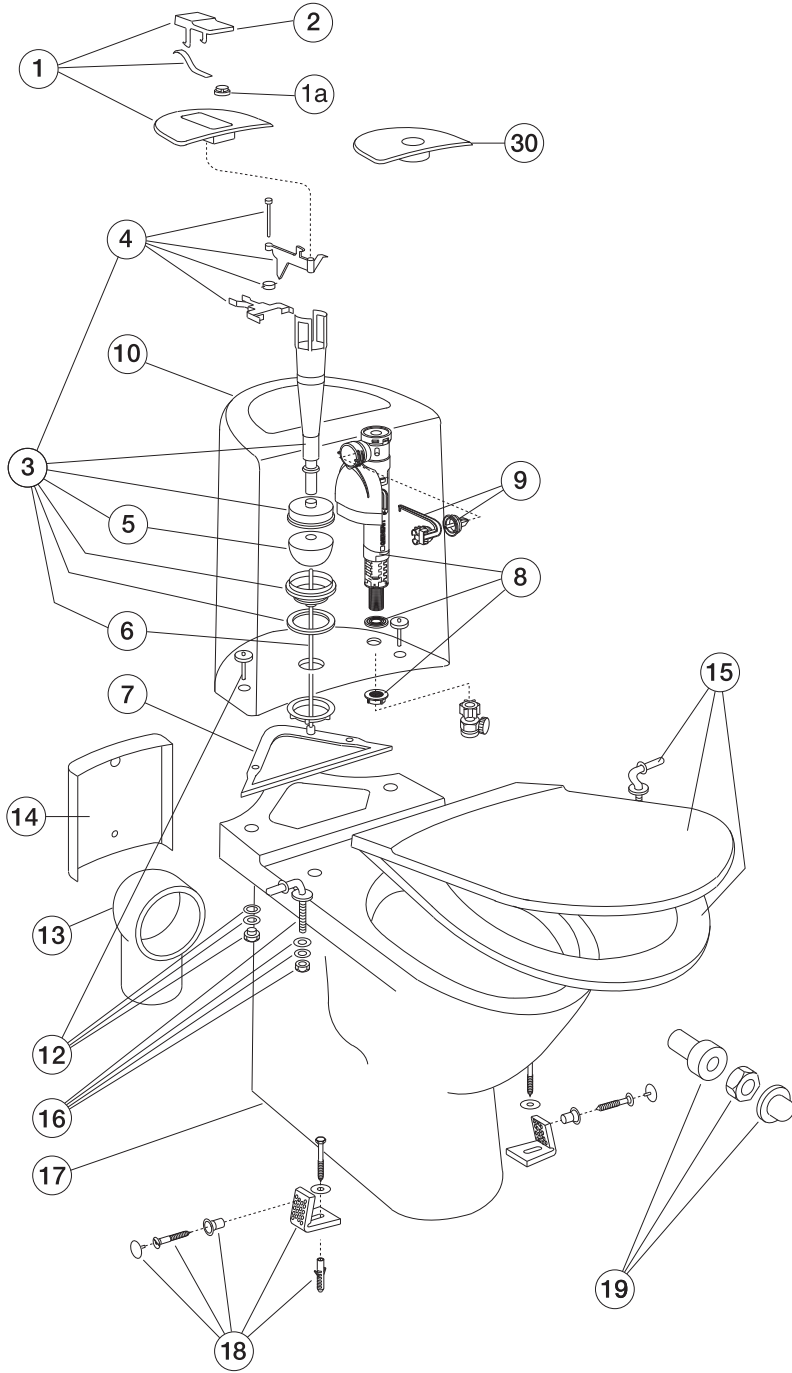
DETALJENUMMER OG PRODUKT	NRF. NR.	ART. NR.	VEIL. PRIS EKS. MVA.	VEIL. PRIS INKL. MVA.
1 T2 Ventil, Duo	6025887	GB19299T2956	594	743
2 T2 Ventilhus Duo	6025884	GB19299T2953	220	275
3 T1/T2/K Ventilhuspakning	6025812	GB19299TK962	67	84
4 T1/T2/K bunnventilpakning	6025831	GB19299TK961	63	79
5 Mutter til bunnventil	6025813	GB19299TK960	54	68
6 T2 Trykknapp Duo, krom	6025882	GB19299T2951	188	235
7 T2 sisternelokk Artic	6025901	GB1929900500	153	191
8 GB Flottørventil	6025893	GB1929901972	522	653
9 GB Membransett	6025895	GB1929901979	122	153
10 Sистерne uten lokk og armatur f/4300, 4310	6025906	GB184200001200	2.020	2.525
11 Sистерnebolter	6025905	GB1929900505	144	180
12 Sистерnepakning	6025904	GB1929900504	74	93
13 Fleksibel tilkoplingslange	6025902	GB1929900502	131	164
14 Avstengningsventil	6025675	GB1929900503	117	146
15 Avløpsstuss Variobend	6025918	GB1921101408	681	851
16 Artic hardplastsete med SC/QR, hvitt	6025508	9M16S101	1.593	1.991
Artic hardplastsete med SC/QR, sort	6025509	9M16S136	1.966	2.458
17 Rustfrie setefester, (par)	6025916	GB1919901835	295	369
18 Skål f/4300/4310	6025908	GB184310001200	4.417	5.521
Skål f/ 4300/4310 med C+	6025917	GB1843100R1200	5.042	6.303
19 Gulvfeste	6025847	GB1929900381	158	198
20 Veggmonteringssett f/ 4330, hvit	6025677	92207401	128	160



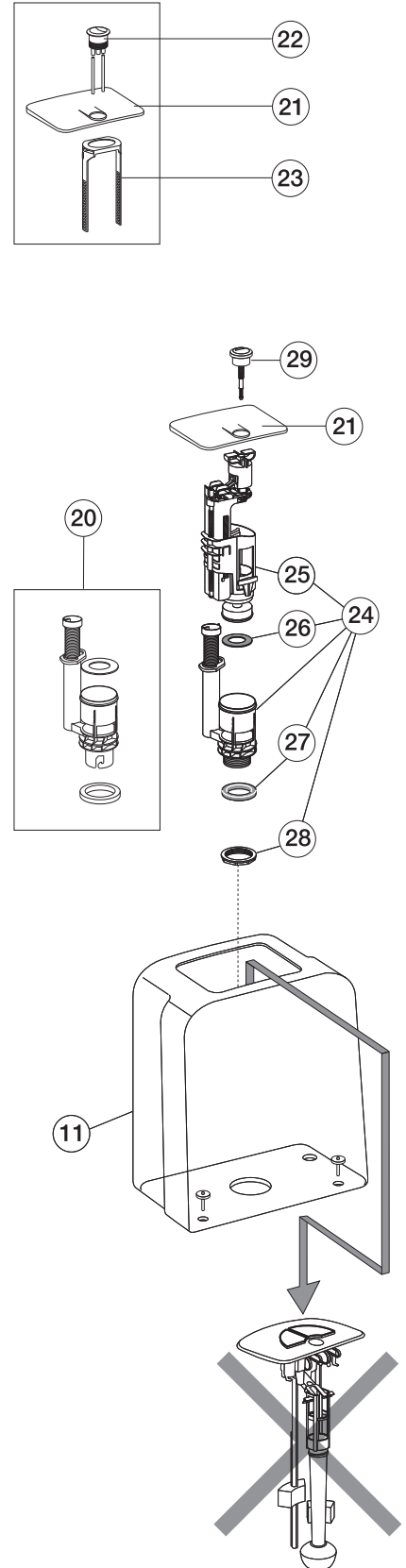
RESERVEDELER

DETALJENUMMER OG PRODUKT	NRF. NR.	ART. NR.	VEIL. PRIS EKS. MVA.	VEIL. PRIS INKL. MVA.
1 T2 ventil duo	6025887	GB19299T2956	594	743
2 T2 ventilhus Duo	6025884	GB19299T2953	220	275
3 T2 Trykknapp Duo, krom	6025882	GB19299T2951	188	235
4 Sisternelokk	6024965	8193B901	304	380
5 T2/T1/K ventilhuspakning	6025812	GB19299TK962	67	84
6 T2/T1/K binventilpakning	6025831	GB19299TK961	63	79
7 T2/T1/K mutter f/bunnventil	6025813	GB19299TK960	54	68
9 Sistenerpakning f/klosett 5696 S-lås	6026555	GB1929900320	64	80
Sistenerpakning f/klosett 5696 P-lås	6025924	GB1929900506	63	79
10 GB flottørventil	6025893	GB1929901972	522	653
11 GB membransett	6025895	GB1929901979	122	153
12 Avstengningsventil	6025903	GB1929900503	117	146
12a Fleksibel tilkoplingslange	6025902	GB1929900502	131	164
13 Sisternebolt	6026527	GB1929900319	149	186
15 Logic hardplastsete med rustfrie fester	6025517	9M016101	823	1.029
16 Festedetaljer for soft close seter	6025631	GB1919901845	435	544
17 Dekkluke 5696	6025833	GB1929903410	140	175
18 Festedetaljer for veggskål	6025677	92207401	128	160
Limplugger for festehull i fot (4 stk)	6025634	GB1929900168	33	41

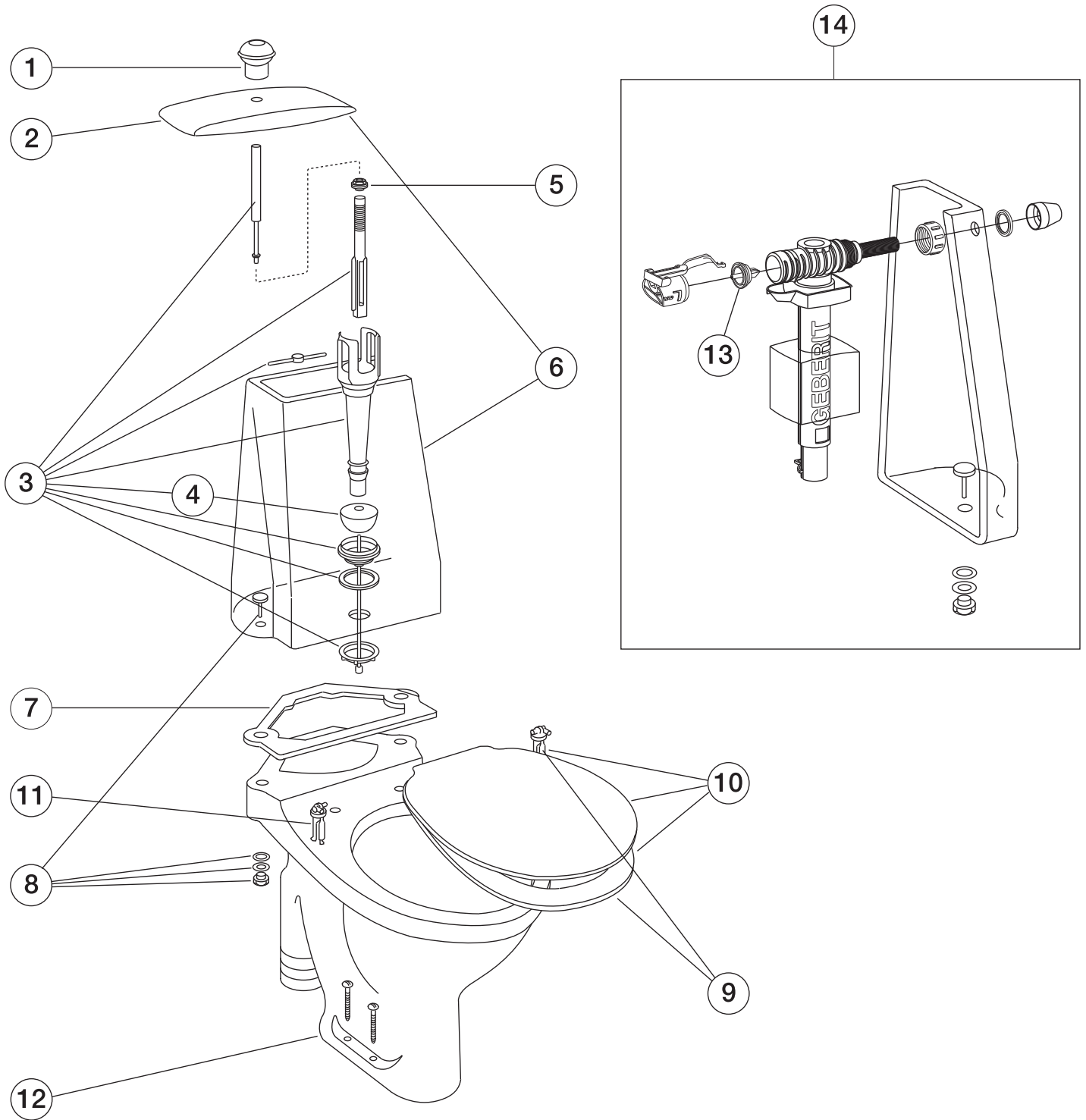
Skandic



Classic



DETALJENUMMER OG PRODUKT	NRF. NR.	ART. NR.	VEIL. PRIS EKS. MVA.	VEIL. PRIS INKL. MVA.
1 ST-24 Sisternelokk m/trykknapp, hvit	6024976	GB1929900338	485	606
1a Lokkmutter	6025686	GB1929901545	52	65
3 ST-Bunnventil	6026581	GB1929900282	296	370
4 ST-22 Løftestang	6026373	GB1929900209	110	138
5 NP/NT/ST Ventilball	6026212	GB1929900260	91	114
6 ST-2 senterstang	6025845	GB1929900347	68	85
7 Sisternepakning	6025557	GB1929900344	100	125
8 GB Flottøventil	6025893	GB1929901972	522	653
9 GB Membransett	6025895	GB1929901979	122	153
10 Sистерne u/lokk og u/armatur f/330, 334, hvitt	6024332	GB1042300101	1.632	2.040
11 Sистерne u/lokk og u/armatur f/360,364	6024339	GB1042640101	1.632	2.040
12 Sистерnebolt, par	6025846	GB1929900356	209	261
13 Avløpstuss til klosett 330, 360	6025844	GB1929900345	584	730
15 Hardplastsete med rustfrie fester	6025419	GB1919901601	1.216	1.520
16 Rustfrie setefester	6025851	GB1919901832	302	378
Skål f/334, 364, hvit	6023623	GB1043340101	3.692	4.615
18 Gulvfeste	6025847	GB1929900381	158	198
19 Veggmonteringssett f/ 333, hvit	6025836	GB1929900325	128	160
20 U2 ventilunderdel	6025687	GB19299U2940	376	470
21 Sisternelokk Classic T2/T1/U2/U1, duo	6024963	GB19299T1929	323	404
22 T1 Knapp Duo	6025808	GB19299T1951	188	235
23 T1 Festeboyle, Duo	6025807	GB19299T1956	155	194
24 T2 komplett Ventil Duo	6025887	GB19299T2956	594	743
25 T2 Ventilhus Duo	6025884	GB19299T2953	220	275
26 Ventilhuspakning	6025812	GB19299TK962	67	84
27 Bunnventilpakning	6025831	GB19299TK961	63	79
28 Mutter til bunnventil	6025813	GB19299TK960	54	68
29 T2 Trykknapp Duo, krom	6025882	GB19299T2951	188	235
30 Sisternelokk Skandic, rund knapp	6024964	GB19299T2800	323	404

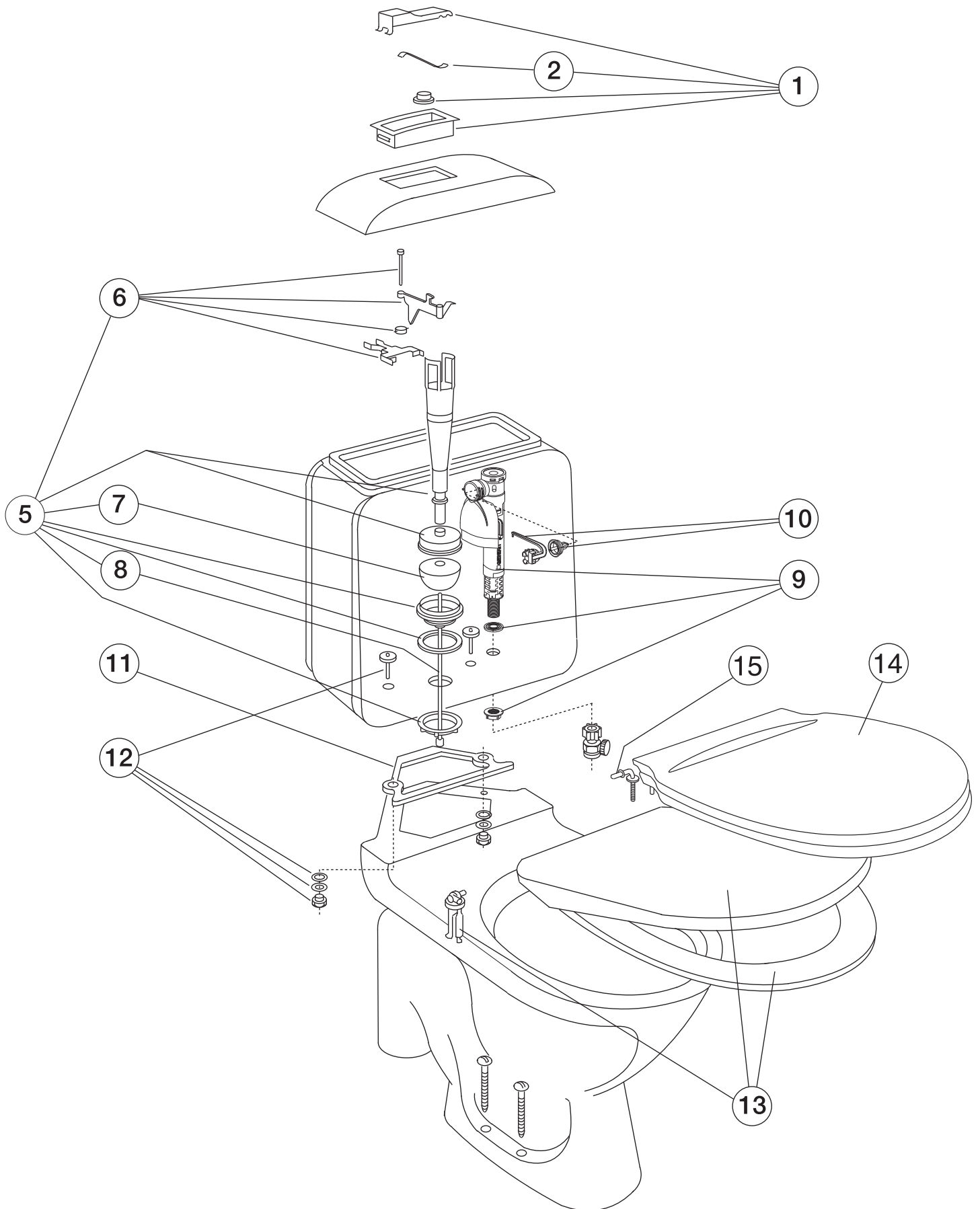




## Reservevedler - Barneklosett 305, 1950

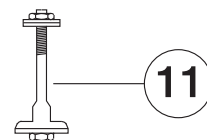
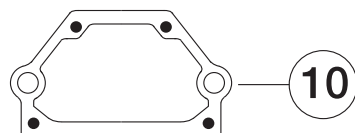
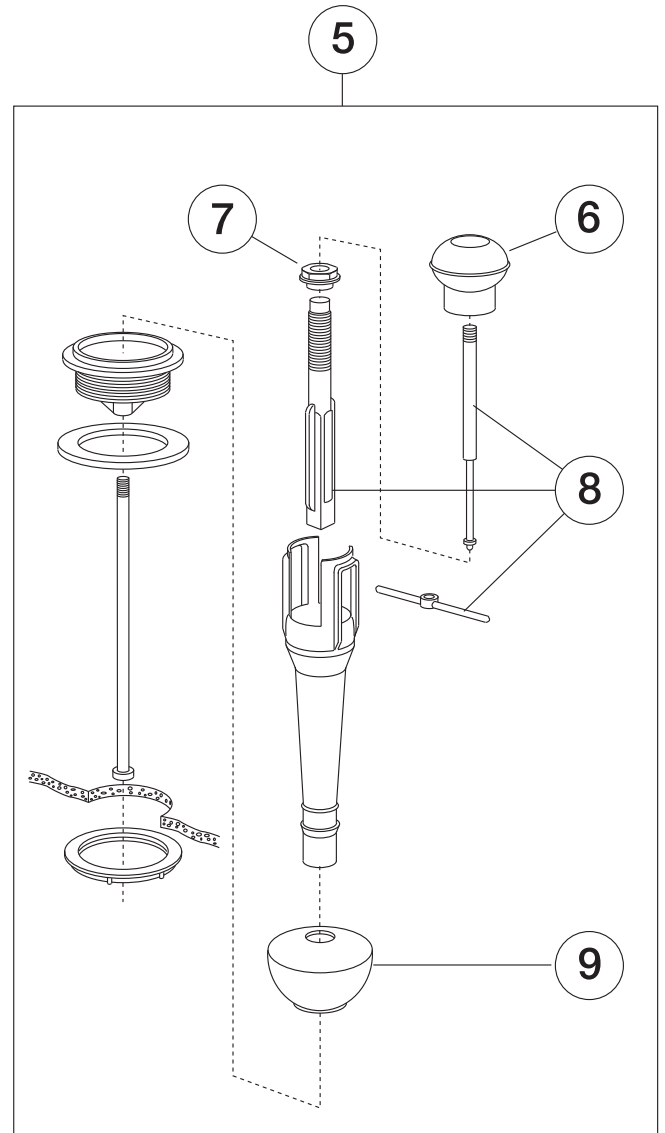
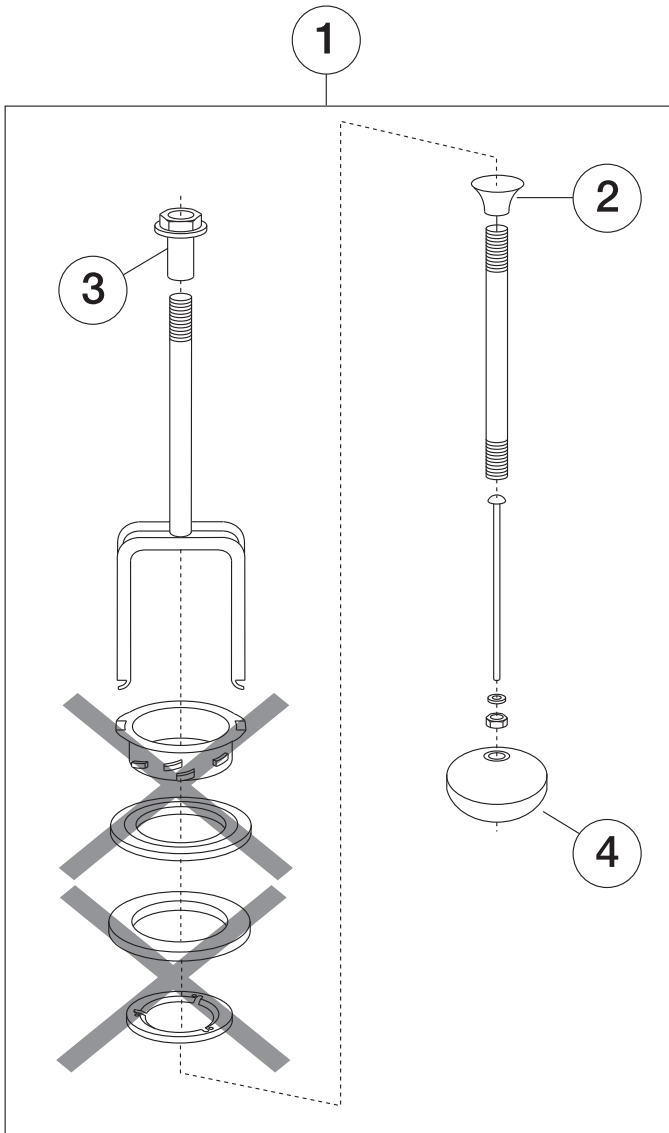
DETALJENUMMER OG PRODUKT	NRF. NR.	ART. NR.	VEIL. PRIS EKS. MVA.	VEIL. PRIS INKL. MVA.
1 NP-11 Løfteknott	6026414	GB1929900237	75	94
2 Sisternelokk (år 1992-)	6024972	GB1041060100	379	474
3 NP-20 Bunnventil (år 1982-)	6026421	GB1929900238	523	654
4 NP/NT/ST Ventilball	6026213	GB1929900260	91	114
5 NP-10 Lokkmutter	6026411	GB1929900236	61	76
6 Sистерne med lokk, uten armatur (år 1992-)	6024327	GB1042060101	2.482	3.103
7 Sистерnepakning	6026545	GB1929900316	74	93
8 Sистерnebolt	6026525	GB1929900217	149	186
9 Hvit propensete f/305 uten lokk	6025407	GB1919901286	281	351
10 Hvit propensete f/305 med lokk	6025406	GB1919900910	1.076	1.345
11 Ekspansjonsfeste f/propensete	6026511	GB1929901453	59	74
12 Skål	6023611	GB1043050101	4.621	5.776
13 GB Membransett	6025898	GB1929901976	122	153
14 GB Flottørventil, sidekoblet	6025896	GB1929901974	597	746
NP, Evalet 210, 220, 230, NP21 løftestang	6025923	GB1929900239	165	206





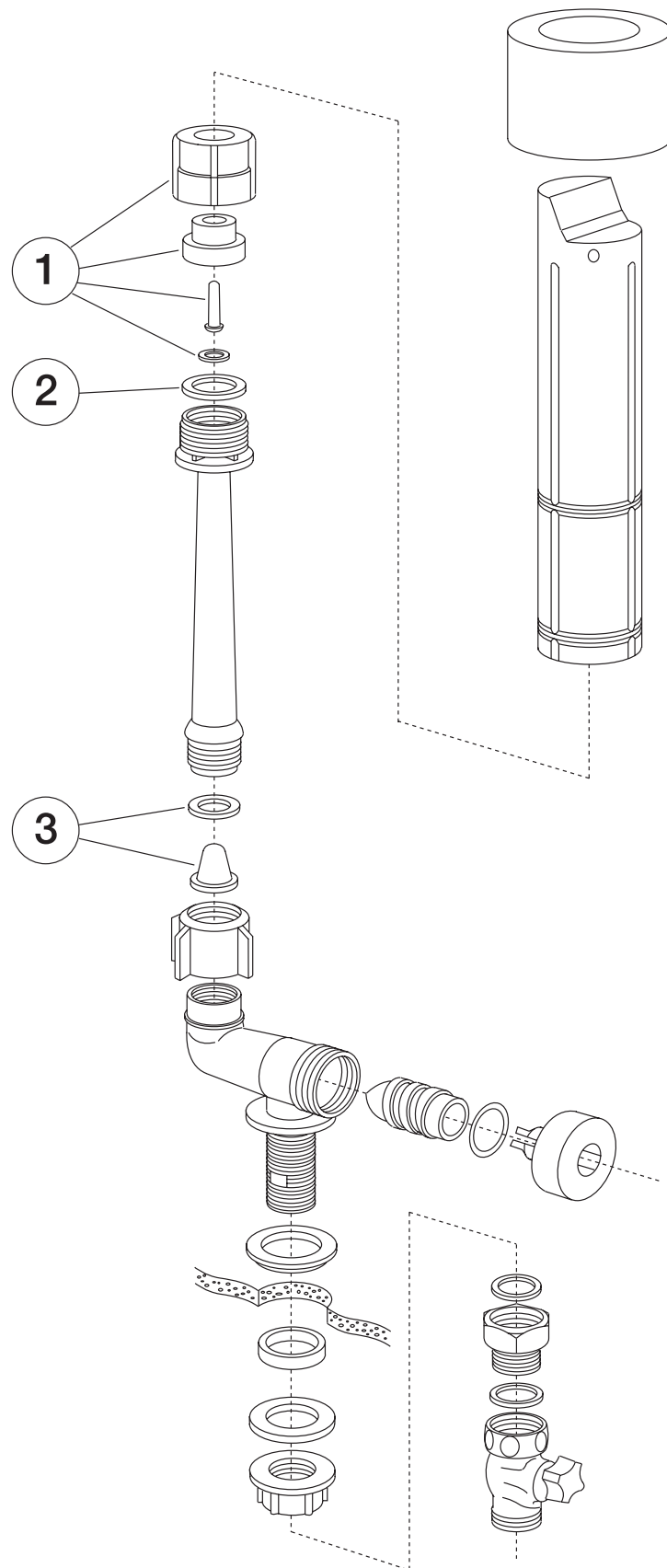


DETALJENUMMER OG PRODUKT	NRF. NR.	ART. NR.	VEIL. PRIS EKS. MVA.	VEIL. PRIS INKL. MVA.
1 NT-21 trykknapp/ramme, hvit	6026366	GB1929900208	178	223
2 Fjær	6025848	GB1929901244	44	55
5 ST-Bunnventil	6026581	GB1929900282	296	370
6 ST-22 løfteanordning	6026373	GB1929900209	110	138
7 NP/NT/ST Ventilball	6026212	GB1929900260	91	114
8 ST-2 senterstang	6025845	GB1929900347	68	85
9 GB Flottørventil	6025893	GB1929901972	522	653
*) GB Flottørventil sidekoplet	6025896	GB1929901974	597	746
10 GB Membransett	6025895	GB1929901979	122	153
11 Sisternepakning f/klosett 325	6026541	GB1929900216	64	80
Sisternepakning f/344	6026543	GB1929900315	64	80
12 Sisternebolt f/315/325	6026525	GB1929900217	149	186
13 Hvitt propensete f/325	6025411	GB1929900226	281	351
14 Hvitt universalsete f/325	6025415	GB1919901900	858	1.073
15 Rustfrie fester, stillbare	6026518	GB1919901830	131	164
Nippelmuffe - TF35	6026266	GB1929900058	85	106





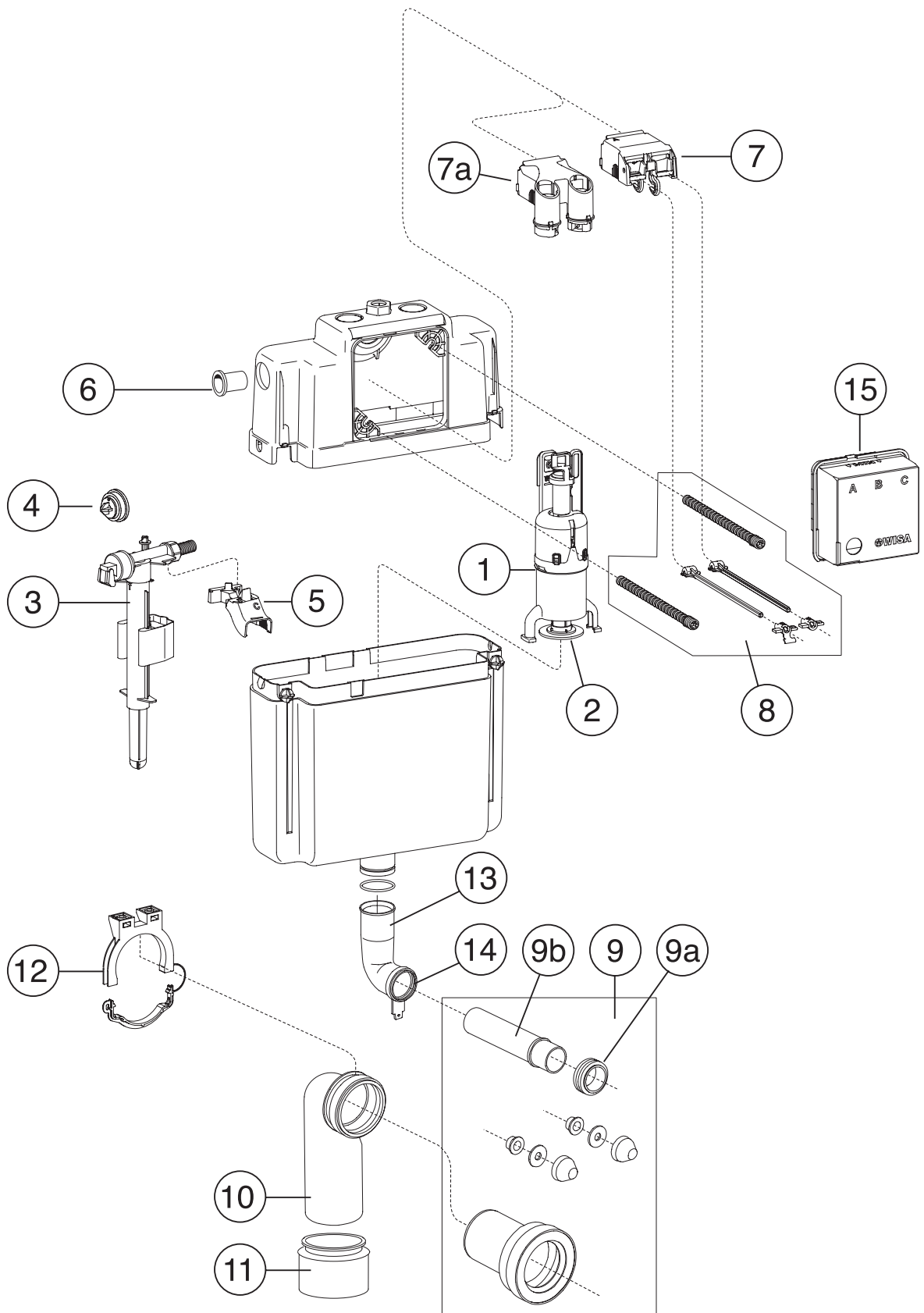
DETALJENUMMER OG PRODUKT	NRF. NR.	ART. NR.	VEIL. PRIS EKS. MVA.	VEIL. PRIS INKL. MVA.
1 NC Bunnventil til samtlige modeller prod. før 1982 utenom 305 og gamle 360	6026201	GB1929900211	569	711
2 NC-10 Løfteknapp	6026221	GB1929900291	77	96
3 NC-8 Lokkmutter	6025922	GB1929900332	29	36
4 NC-5 Ventilball Universal	6026213	GB1929900244	91	114
5 NP-20 løfteventil	6026421	GB1929900238	523	654
6 NP-11 Løfteknott	6026414	GB1929900237	75	94
7 NP-10 toppmutter	6026411	GB1929900236	61	76
8 NP-21 Løfestang	6025923	GB1929900239	165	206
9 NP/NT/ST Ventilball	6026212	GB1929900260	91	114
10 Sisternepakning f/ 315/325	6026541	GB1929900216	64	80
11 Sisternebolt f/315/325	6026525	GB1929900217	149	186





DETALJENUMMER OG PRODUKT	NRF. NR.	ART. NR.	VEIL. PRIS EKS. MVA.	VEIL. PRIS INKL. MVA.
1 TF-33 Servoventil	6026262	GB1929900233	132	165
2 TF-11 Membran	6026247	GB1929900229	64	80
3 TF-9 Sil, pakning	6026244	GB1929900228	64	80
TP-10 Membran	6026282	GB1929900330	52	65

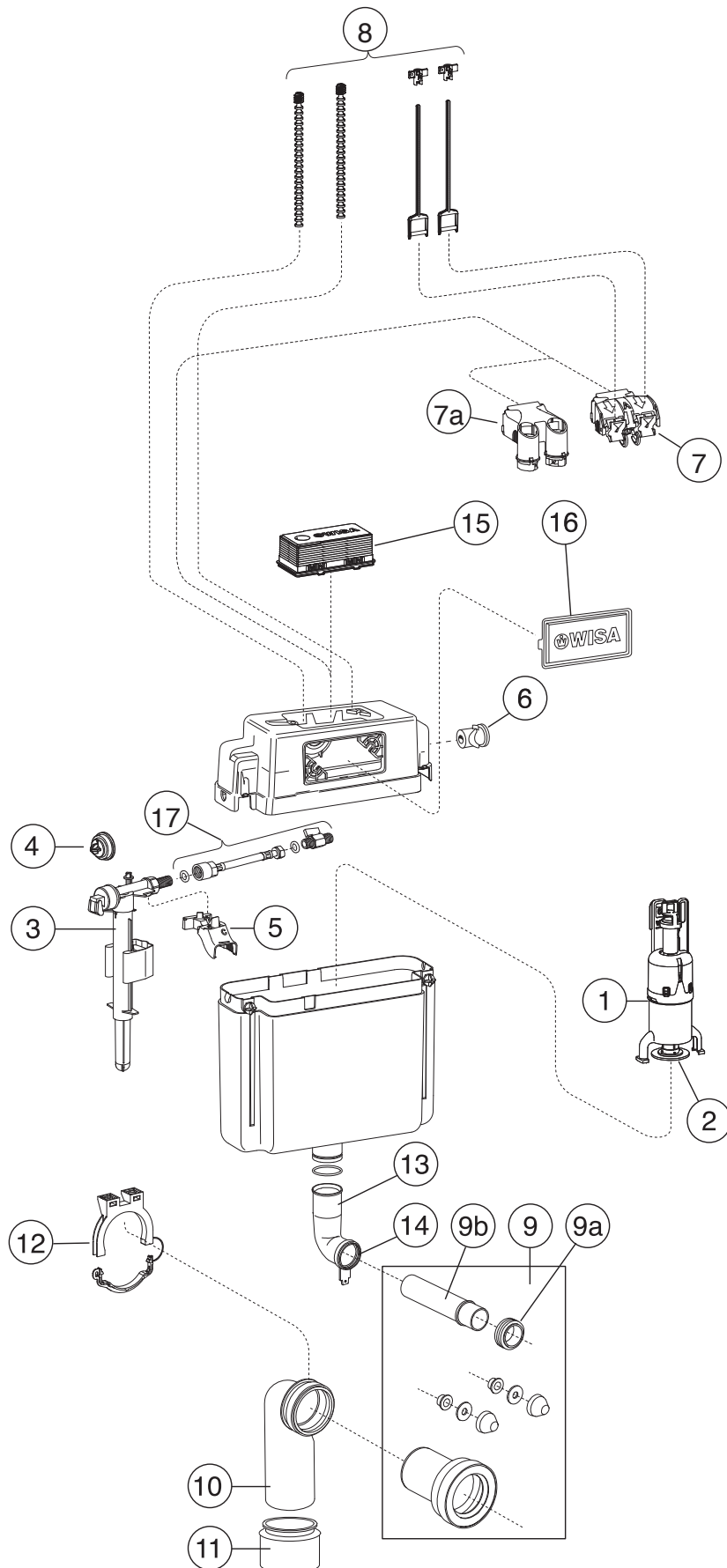
*OBS! Samtlige gamle, komplette flottørventiler erstattes av GB flottørventil - se side F11 detalje 10.*



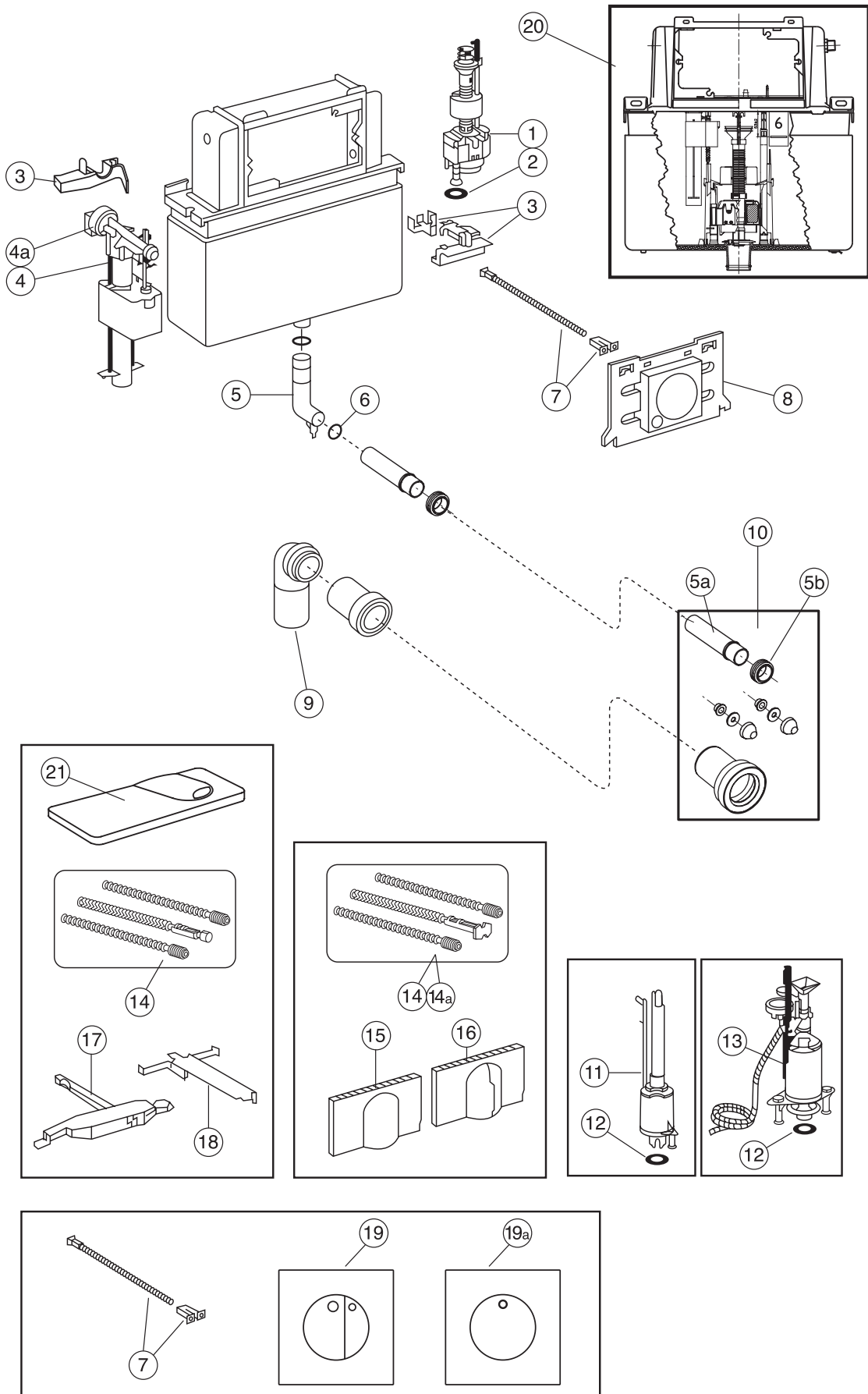
RESERVEDELER

DETALJENUMMER OG PRODUKT	NRF. NR.	ART. NR.	VEIL. PRIS EKS. MVA.	VEIL. PRIS INKL. MVA.
1 Bunnventil Duo/Enkel	6025943	GB1921100370	341	426
2 Tetning bunnventil	6025944	GB1921100371	139	174
3 Flottørventil	6025945	GB1921100372	499	624
4 Membran	6025946	GB1921100373	131	164
5 Feste flottørventil	6025947	GB1921100375	143	179
6 Hylse XS m/besk.rør 18-28 mm	6025948	GB1921100376	258	323
7 Mekanisk løfteanordning XS	6025949	GB1921100377	198	248
7a Pneumatisk løfteanordning	6025626	GB1921100394	337	421
8 Sett med fiksering/manøverpinner enkelspylning XS	6025951	GB1921100378	186	233
8 Sett med fiksering/manøverpinner dobbelspylning XS	6025952	GB1921100379	198	248
9 Sett klosett-tilkopl.	6025953	GB1921100380	603	754
Spylørør L= 300 mm				
Tilkopling spylørør				
Avløpsrør L = 300 mm				
Veggmonteringssett				
9a Tilkopling spylørør	6025954	GB1921100381	139	174
9b Spylørør L= 300 mm	6025752	GB1921100111	181	226
10 Avløpsbend 90x90 mm	6025955	GB1921100382	347	434
11 Exsenter 90x110 mm	6025956	GB1921100383	271	339
12 Fiksering avløpsbend	6025957	GB1921100384	158	198
13 Spylørør med feste XS	6025958	GB1921100385	234	293
14 Tetningsring spylørør XS	6025959	GB1921100386	136	170
15 Beskyttelseskappe XS	6025961	GB1921100387	178	223
Boltesett for XS	6025674	GB1921102028	85	106
Pakning mot vegg bak klosett		GB1921100388	97	121
Pneumatisk slange for trykkplate XS/XT	6023008	GB1921100398	126	158
Rep. sett for feste m/trykknapp		GB1921100389	148	185





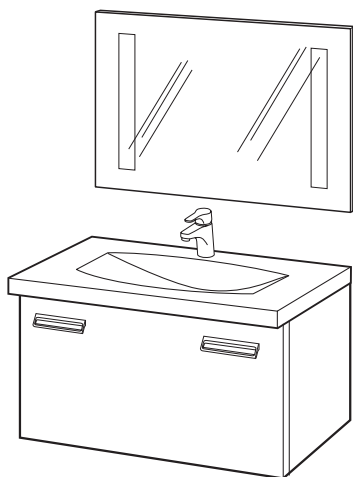
DETALJENUMMER OG PRODUKT	NRF. NR.	ART. NR.	VEIL. PRIS EKS. MVA.	VEIL. PRIS INKL. MVA.
1 Bunnventil	6025943	GB1921100370	341	426
2 Tetning bunnventil	6025944	GB1921100371	139	174
3 Flottørventil	6025945	GB1921100372	499	624
4 Membran	6025946	GB1921100373	131	164
5 Feste flottørventil	6025947	GB1921100375	143	179
6 Hylse XT for beskyttelsesrør 18-28 mm	6025667	GB1921100392	255	319
7 Feste med løfte krok XT	6025627	GB1921100395	198	248
7a Pneumatisk løfteanordning	6025626	GB1921100394	337	421
8 Sett med fiksering/manøverpinner XT	6025666	GB1921100391	198	248
9 Sett klosett tilkpl.	6025953	GB1921100380	603	754
Spylerør L= 300 mm				
Tilkopling spylerør				
Avløpsrør L = 300 mm				
Veggmonteringssett				
9a Tilkopling spylerør	6025954	GB1921100381	139	174
9b Spylerør L= 300 mm	6025752	GB1921100111	181	226
10 Avløpsbend 90x90 mm	6025955	GB1921100382	347	434
11 Exsenter 90x110 mm	6025956	GB1921100383	271	339
12 Fiksering avløpsbend	6025957	GB1921100384	158	198
13 Spylerør med feste	6025639	GB1921100397	158	198
14 Tetningsring spylerør	6025959	GB1921100386	136	170
15 Beskyttelseskappe XT	6025665	GB1921100390	174	218
16 Dekkåpe XT	6025638	GB1921100396	174	218
17 Fleksibel tilkoblingslangesett	6025668	GB1921100393	328	410
Pneumatisk slange for XS/XT trykkplater	6023008	GB1921100398	126	158



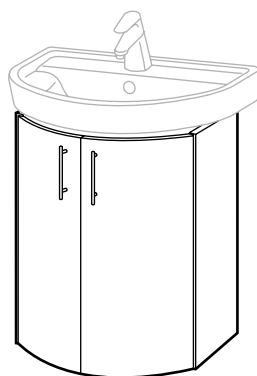
RESERVEDELER



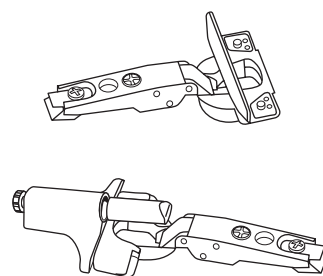
DETALJENUMMER OG PRODUKT	NRF. NR.	ART. NR.	VEIL. PRIS EKS. MVA.	VEIL. PRIS INKL. MVA.
1 Bunnventil	6025803	GB1921100095	652	815
2 Tetning bunnventil, duo	6025871	GB1921100110	42	53
3 Feste flottørventil	6025868	GB1921100107	210	263
3a Brygge og feste for utløpsventil	6025865	GB1921100122	210	263
4 Flottørventil	6025945	GB1921100372	499	624
4a Membran flottørventil	6025946	GB1921100373	131	164
5 Spylørør bend m/feste	6025958	GB1921100385	234	293
5a Spylørør L= 300 mm	6025752	GB1921100111	181	226
5b Tilkopling spylørør	6025954	GB1921100381	139	174
6 Tetningsring spylørør	6025959	GB1921100386	136	170
7 Distanse/låsepinne duo/enkel for pos 19	6025873	GB1921100114	191	239
8 Beskyttelseskappe for pos. 19	6025874	GB1921100115	210	263
9 Avløpsbend 90x110 mm	6025875	GB1921100116	685	856
10 Sett klosett tilkoppl.	6025953	GB1921100380	603	754
9b Spylørør L= 300 mm	6025752	GB1921100111	181	226
10 Avløpsbend 90x90 mm	6025955	GB1921100382	347	434
Spylørør L= 300 mm				
Tilkopling spylørør				
Avløpsrør L = 300 mm				
Veggmonteringssett				
11 Bunnventil enkel	6025857	GB1921100082	218	273
12 Tetning bunnventil enkel/pneumatisk	6025858	GB1921100083	43	54
13 Bunnventil Pneumatisk	6025856	GB1921100081	1.810	2.263
14 Distanse/låsepinne enkel for pos 15 och 21	6025861	GB1921100094	191	239
14a Distanse/låsepinne duo for pos 16	6025862	GB1921100098	191	239
15 Kompl. frontluke eldre utførelse enkelspylning, hvit	6025351	GB1921101171	499	624
16 Kompl. frontluke duo	6025729	GB1921101178	515	644
17 Hevearm Triomont 2903	6025863	GB1921100099	95	119
18 Brygge Triomont 2903	6025877	GB1921100118	74	93
19 Frontpanel Triomont Universal, Duo				
Hvit	6025737	GB1921102010	383	479
Matt krom	6025739	GB1921102012	812	1.015
Blank krom	6025744	GB1921102016	812	1.015
19a Frontpanel Triomont Universal, enkelspylning				
Hvit	6025738	GB1921102011	383	479
Matt krom	6025741	GB1921102013	812	1.015
Blank krom	6025745	GB1921102017	812	1.015
20 Komplette sisterner uten spylørørbend (nr 5) og uten besk.kåpe (nr 8)	6025757	GB1921102003	1.918	2.398
21 Toppbetjent panel, hvit	6025727	GB1921101191	303	379
Toppbetjent panel, krom	6025728	GB1921101188	588	735



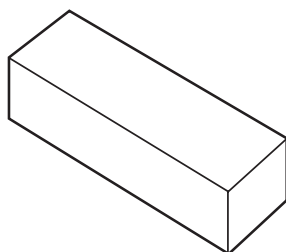
Logic



Nordic II



Hengsler til Logicmøbler



Keramisk gummi

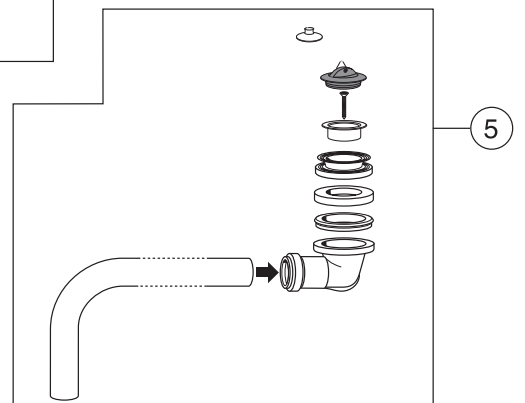
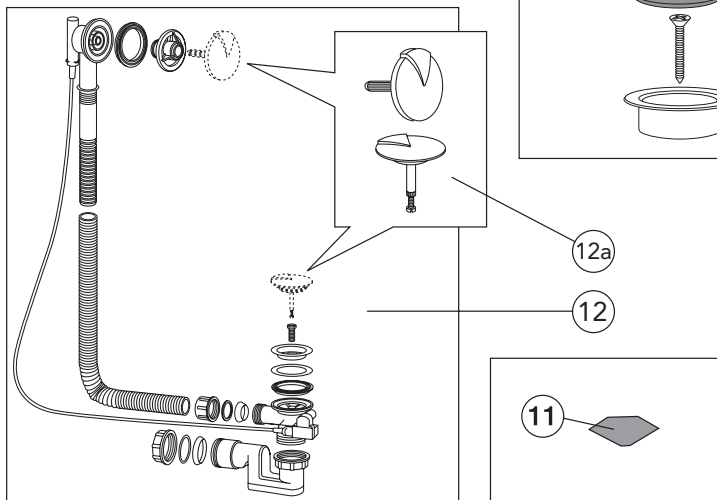
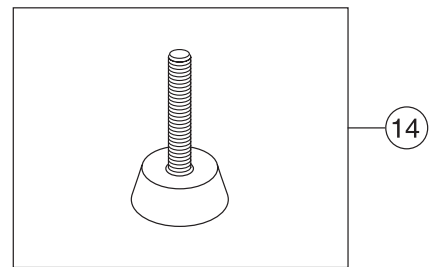
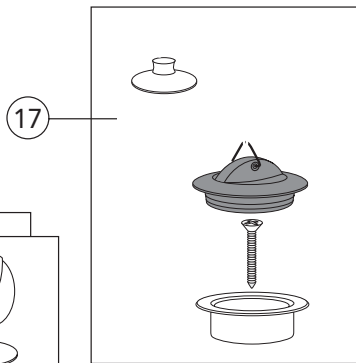
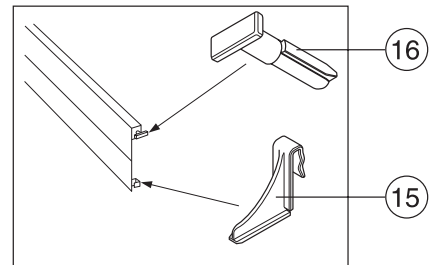
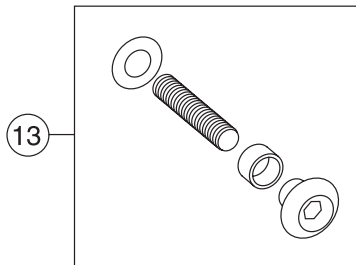
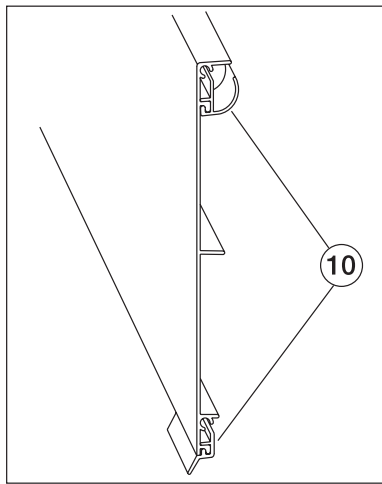
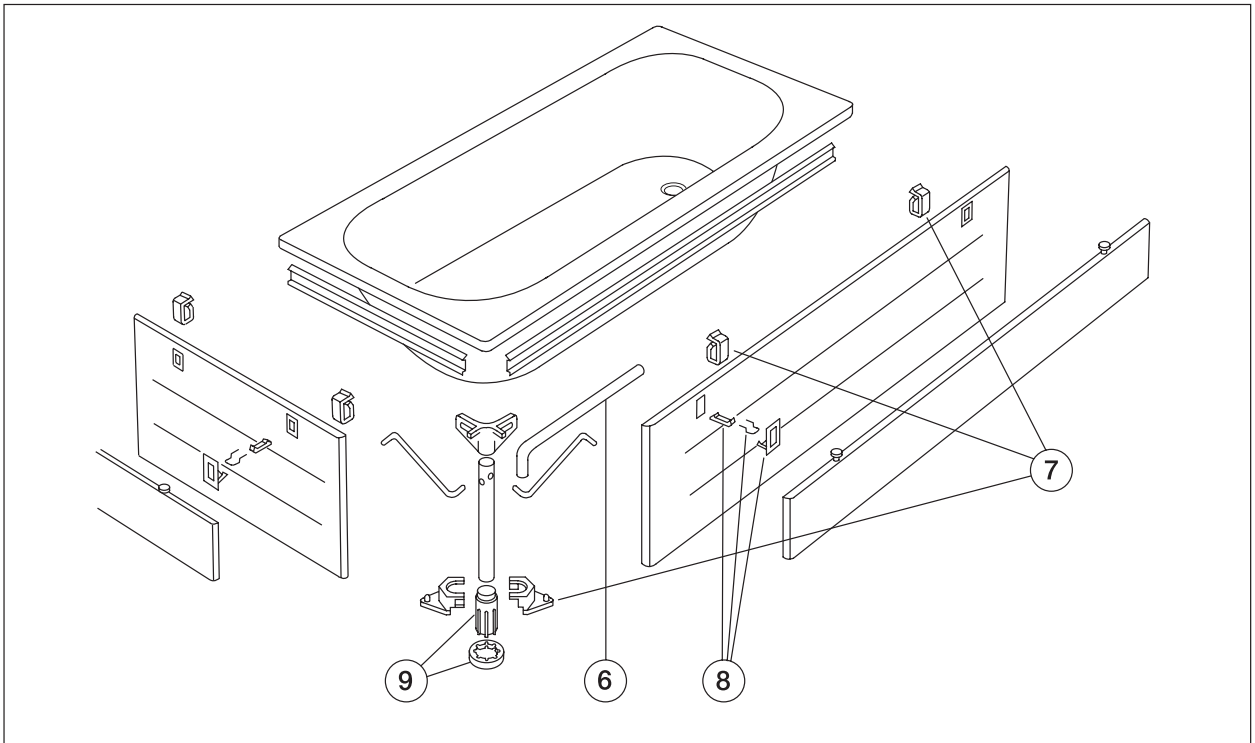
Såpedispenser

**Møbler**

DETALJENUMMER OG PRODUKT	NRF. NR.	ART. NR.	VEIL. PRIS EKS. MVA.	VEIL. PRIS INKL. MVA.
<b>Nordic II</b> Dør 2800/2810/2820, høyre/venstre, hvit 2003-2011	7031019	GB8128000100	1.145	1.431
<b>Artic</b> Transformator 6-pol 2005-	7031035	GB8148300001	255	319
<b>Logic</b> Hengsler (par) 2009-	7031022	GB8118000002	191	239

**Øvrige**

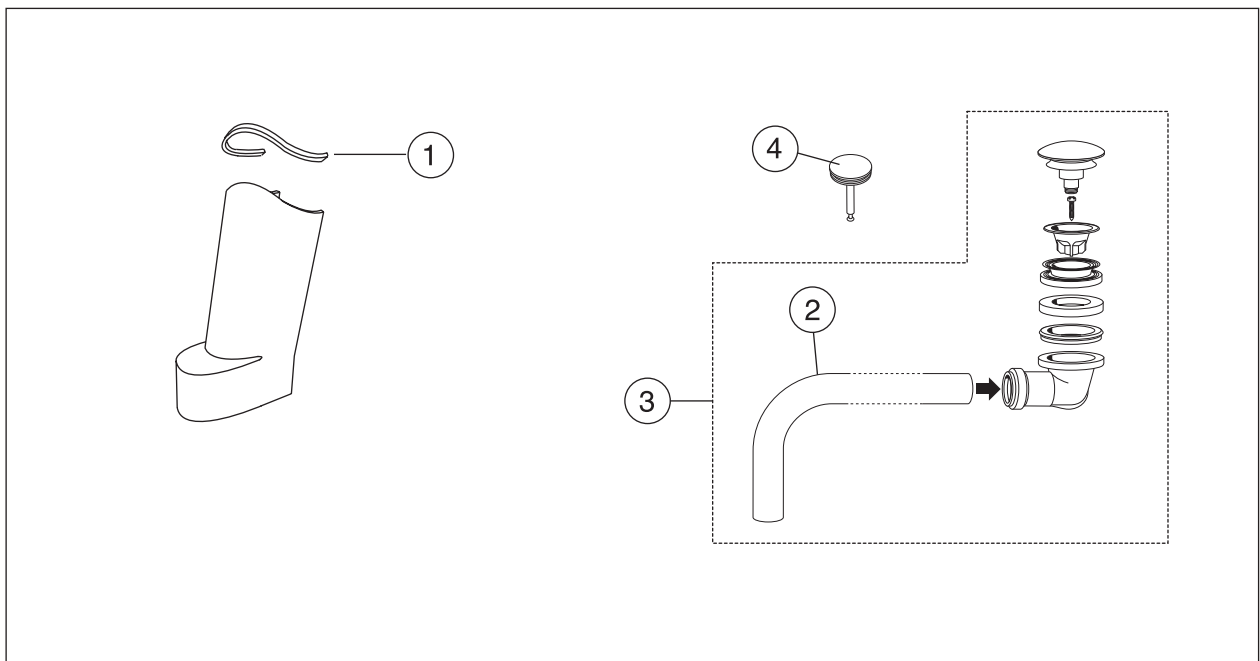
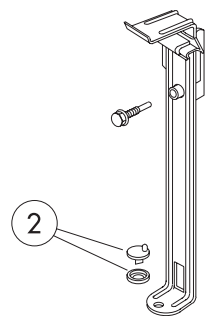
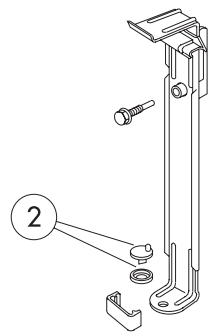
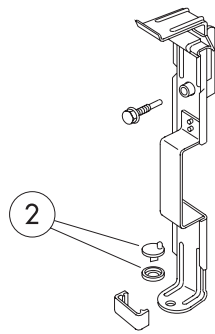
DETALJENUMMER OG PRODUKT	NRF. NR.	ART. NR.	VEIL. PRIS EKS. MVA.	VEIL. PRIS INKL. MVA.
Såpedispenser, komplett	6021912	GB1922100802	1.128	1.410
<b>Øvrig</b> Keramisk gummi	6025842	GB1923100802	381	476



**Badekar**

DETALJENUMMER OG PRODUKT	ÅRSTALL	NRF. NR.	ART. NR.	VEIL. PRIS EKS. MVA.	VEIL. PRIS INKL. MVA.
5 Ventilhus med propp til samtlige standardbadekar	2009-	6030129	GB2929900175	93	116
6 Utløpsrør til samtlige standardbadekar, hvit		6031935	GB2929900172	144	180
7 Front/Gavl feste for badekar	1992-2000	6031952	GB2929900112	103	129
8 Frontlås til samtlige badekar, hvit	1986-2000	6031865	GB2929900115	61	76
9 Badekarben	1991-2000	6031841	GB2929900037	100	125
10 Hake + fjær til helfrontstativ	2000-2009	6031715	GB2929900228	149	186
11 Hjørnebeskyttelse til samtlige standard-badekar for frontstativ (4 styck)	2000-	6030157	GB2929900110	197	246
12 Avløpsett	2011-	6031722	GB2924300155	850	1.063
12a Ventilpropp/vrider	2000-	6031723	GB2924300156	306	383
13 Monteringsdetaljer till designfronter/gavlur	2001-2011	6031713	GB2929920001	23	29
14 Stillbare føtter ti l hel-, halv- samt designfrontstativ (4 stk)	2002-	6030552	GB2929970004	176	220
15 Pløstneppert f/sokkel helfront/gavel	2009-	6031735	GB2929970001	126	158
16 Styrestift f/sokkel helfront/gavl	2009-	6031736	GB2929970002	77	96
17 Utbyttepropp (sil, skrue, svart gummipropp og kjede)	2010-	6030553	GB2929900174	93	116
Tube med emaljelakk. Hvit	2001-	6032809	GB1923101721	162	203





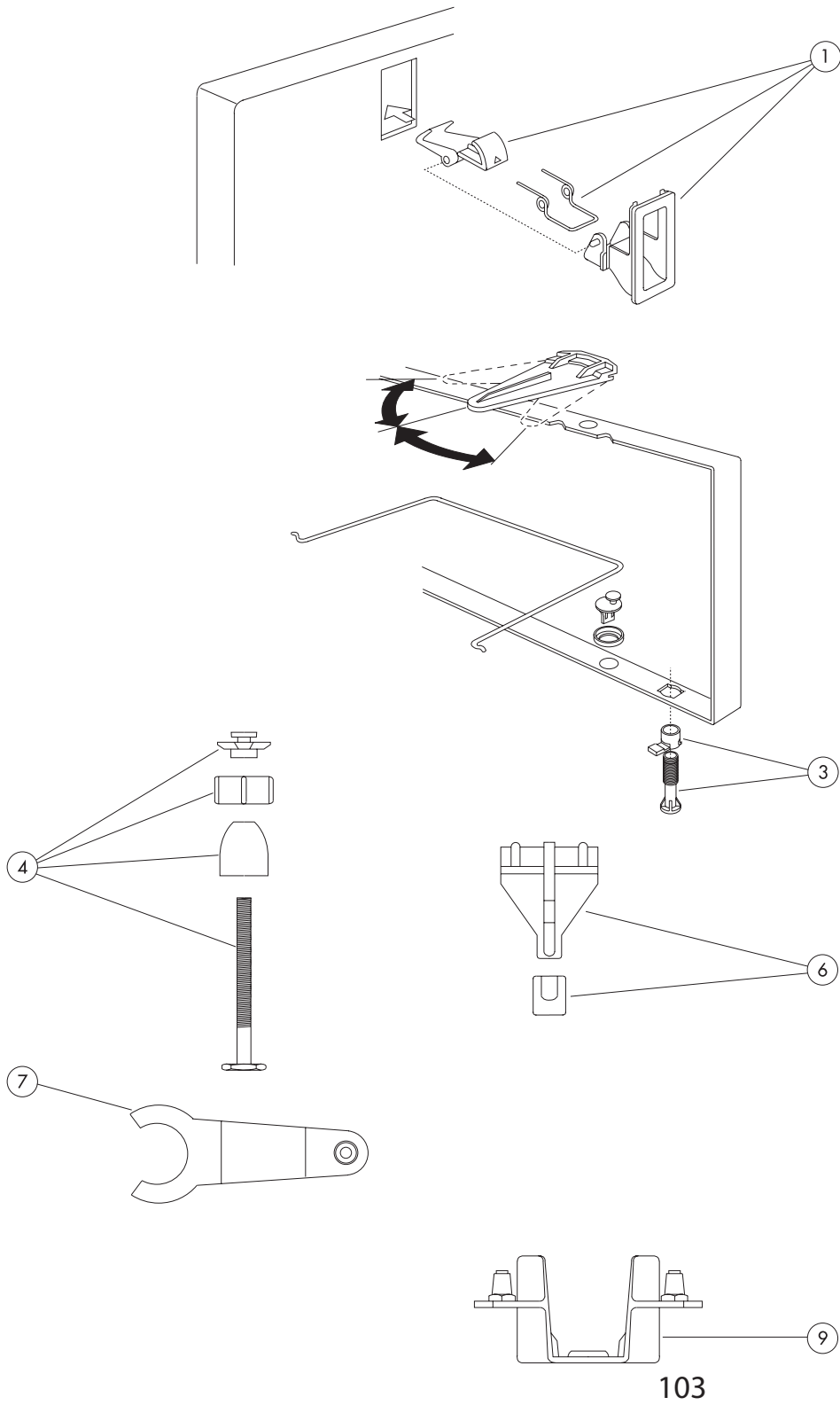


## Frontfester

DETALJENUMMER OG PRODUKT	ÅRSTALL	NRF. NR.	ART. NR.	VEIL. PRIS EKS. MVA.	VEIL. PRIS INKL. MVA.
2 Exenter, pakning for front til badekar: 3165-2-86, 165-2, 4005-2, 4155-2, 4305-2, 4405-3, 3165-3-9000, 4405-3-9000	-1992	6031874	GB2929900048	30	38

## Badekar 6316/6368

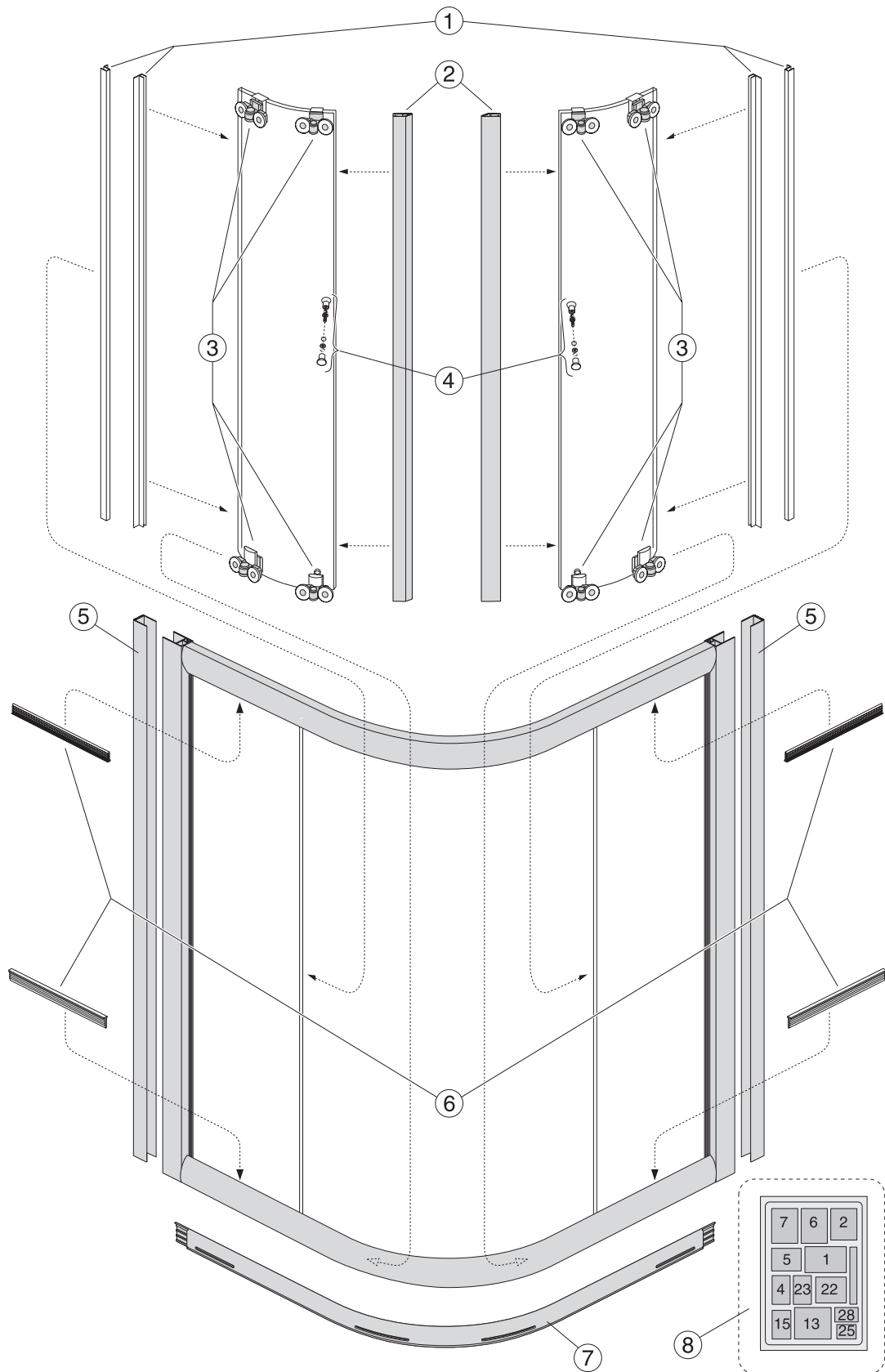
DETALJENUMMER OG PRODUKT	ÅRSTALL	NRF. NR.	ART. NR.	VEIL. PRIS EKS. MVA.	VEIL. PRIS INKL. MVA.
2 Utløpsrør, hvit		6031935	GB2929900172	144	180
3 Bunnventil pop-up, komplett til samtlige standardbadkar	-2009	6031737	GB2929970003	547	684
4 Propp f/wirereg.bunnventil, hvit	1998-2009	6031825	GB2924300160	71	89



RESERVEDELER

## Badekarsfront og gavl

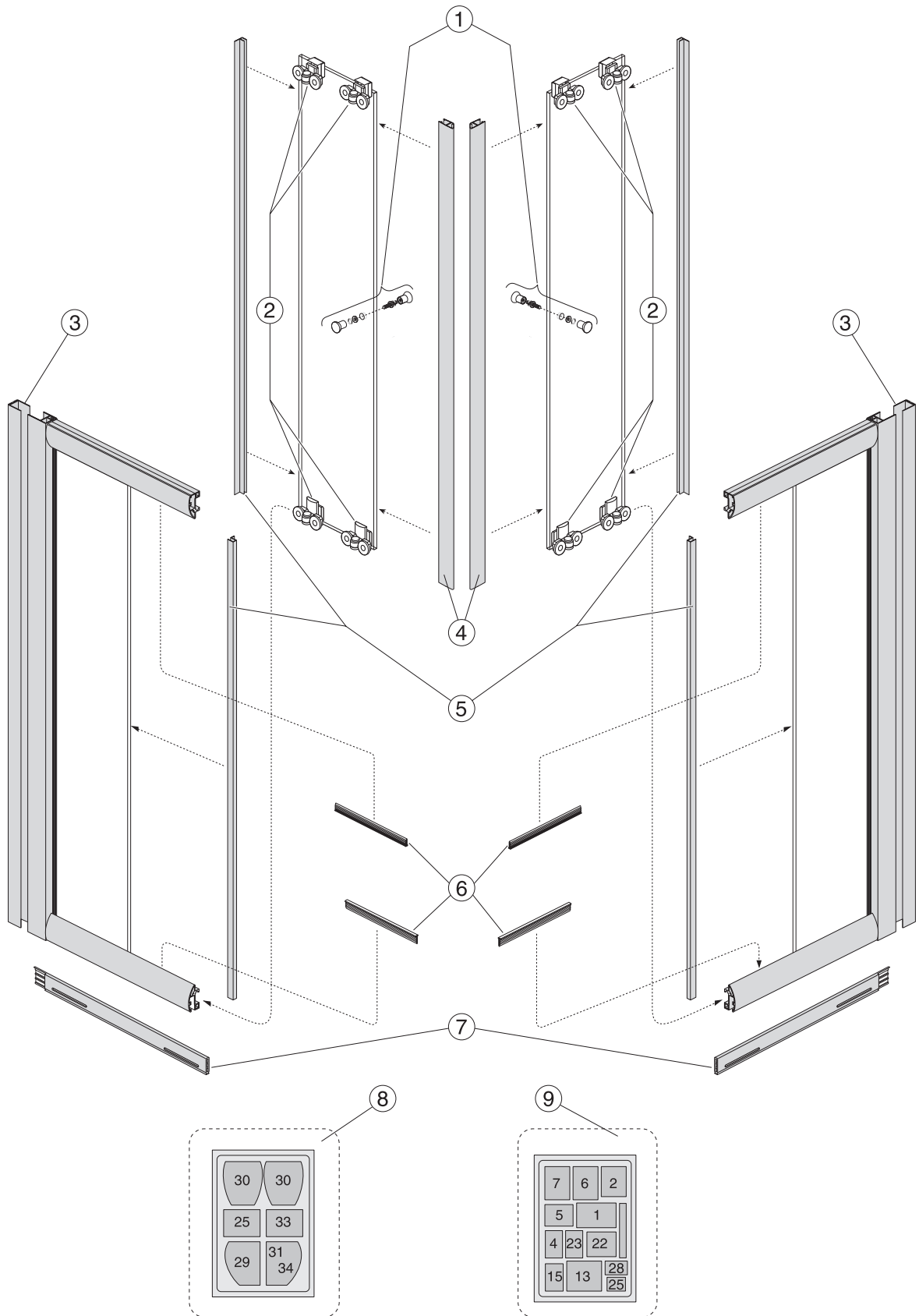
DETALJENUMMER OG PRODUKT	ÅRSTALL	NRF. NR.	ART. NR.	VEIL. PRIS EKS. MVA.	VEIL. PRIS INKL. MVA.
1 Frontlås, snøpert.Mod.5-6-7. GB/Evalet, hvit	1986-1992	6031865	GB2929900115	61	76
3 Front/gavlstøtte til badekar: 3160, 4401, 3165, 3165-3-9000 4005, 4155-2, 4305, 4405, 4405-3-9000	-1992	6031868	GB2929900117	72	90
4 Front/gavlstøtte til badekar: 3006, 4001, 4150, 4301	-1988	6031891	GB2929900118	72	90
6 Øvre front/gavlfeste til badekar: 3006, 4001, 4150, 4301	-1988	6031881	GB2929900041	75	94
7 Fronthake til badekar: 3006, 4001	-1988	6031909	GB2929900120	54	68
9 Øvre frontfeste til badekar: 3160	-1991	6031903	GB2929900119	31	39
Ventilpropp m/O-ring fra 2001		6030129	GB2929900175	93	116



RESERVEDELER

## NQ halvrundt dushjørne med skyvedører

DETALJENUMMER OG PRODUKT	ART. NR.	VEIL. PRIS EKS. MVA.	VEIL. PRIS INKL. MVA.
1 Tetningslister, 2009-	UPGURSPG-6	282	353
2 Magnetlister, 2009-	UPGUED01020	282	353
3 Trinser, doble, sett 4 stk. Oppe nede for en dør	UPGUWH-6-61/2	209	261
4 Dørhåndtak	UDWDOORKNOBW-61	209	261
5 Veggprofil hvit	UPGUFY002-01	201	251
Veggprofil krom	UPGUFY002-61	201	251
6 Tetningslister	UPGUED03030	282	353
7 Justerbar gulvprofil	UPGUED02063D-01	209	261
8 Monteringsdetaljer, hvit	UPGUINSKGQ-01	209	261
Monteringsdetaljer, krom	UPGUINSKGQ-61	209	261

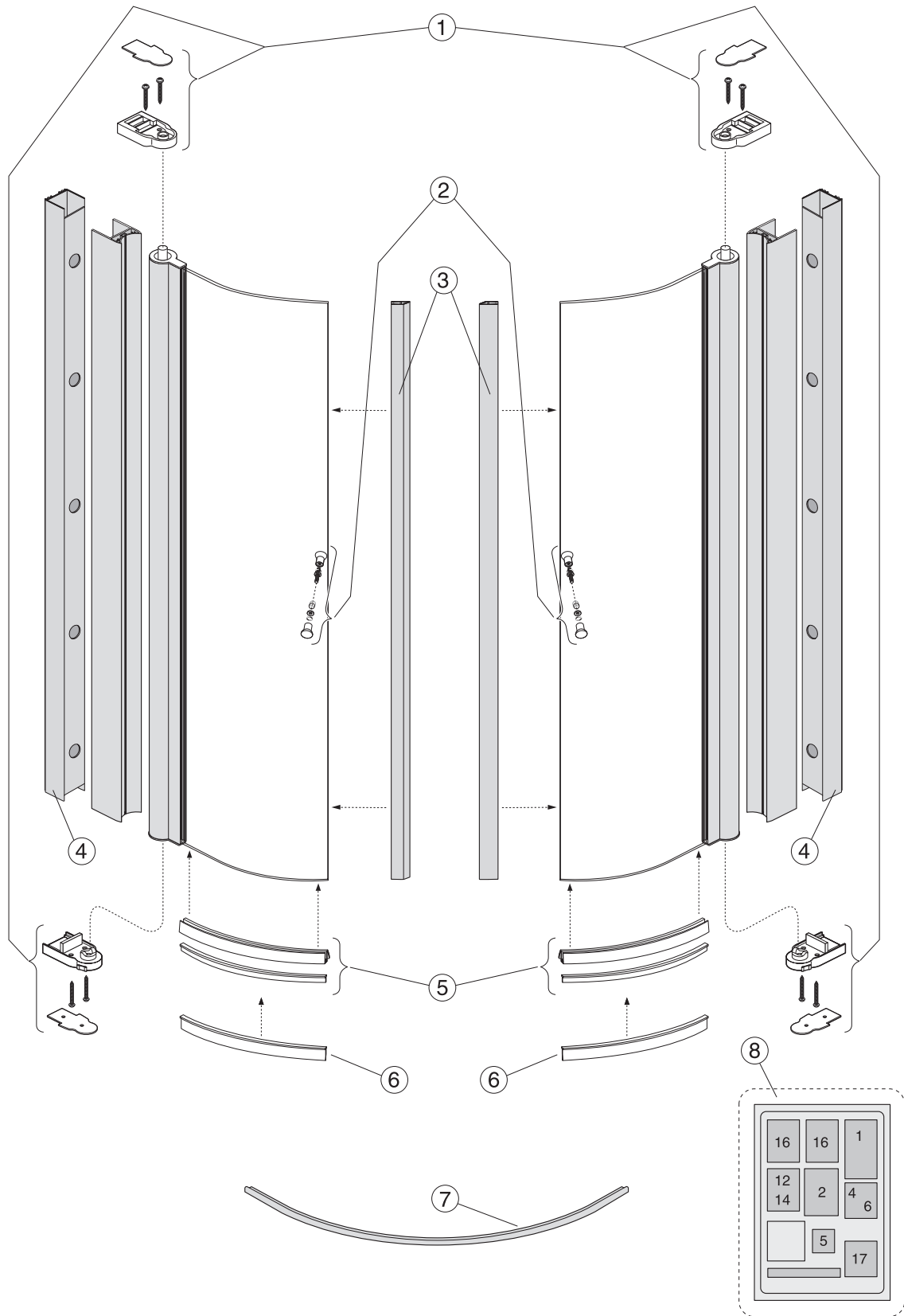


RESERVEDELER

## NC firkantet dusjhjørne med skyvedører

DETALJENUMMER OG PRODUKT	ART. NR.	VEIL. PRIS EKS. MVA.	VEIL. PRIS INKL. MVA.
1 Dørhåndtak, 2009-	UDWDOORKNOBW-61	29	36
2 Trinser, 2009-	UPGUWH-6-61/2	209	261
3 Veggprofil, hvit	UPGUFY002-01	201	251
Veggprofil, krom	UPGUFY002-61	201	251
4 Magnetlister	UPGUED01024	282	353
5 Tetningslister	UPGURSPG-8	209	261
6 Tetningslister	UPGUED03030	282	353
7 Gummisokkel m/hjul	UPGUED02063D-01	209	261
Monteringsdetaljer, hvit	UPGUCCT-01	209	261
8 Monteringsdetaljer, krom	UPGUCCT-61	209	261
Monteringsdetaljer, hvit	UPGUINSKGD-01	209	261
9 Monteringsdetaljer, krom	UPGUINSKGD-61	209	261
Trinser	UPGUWH-8-61/2	209	261



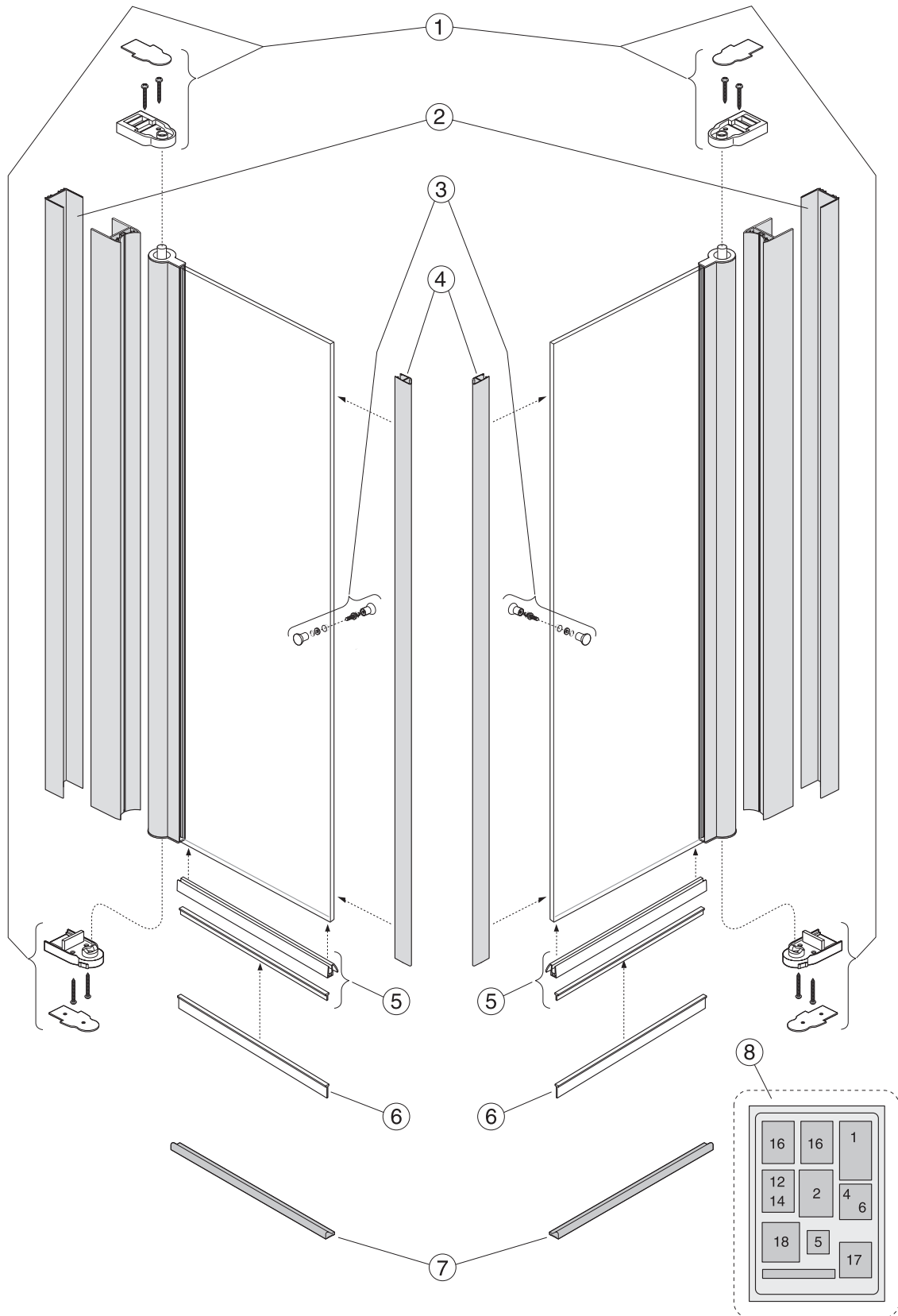


RESERVEDELER



## SQ dusjhjørne med buede slagdører

DETALJENUMMER OG PRODUKT	ART. NR.	VEIL. PRIS EKS. MVA.	VEIL. PRIS INKL. MVA.
1 Hjørnebeslag f/dør, opp/nede, 2009-	UPGUTHJ	282	353
2 Dørhåndtak, krom	UDWDOORKNOBW-61	209	261
3 Magnetlister	UPGUED01020	282	353
4 Veggprofil	UPGUFY-011	223	279
5 Tetningslist komplett	UPGUSWD-6	282	353
6 Tetningslist ekstra høy	UPGUSWD-8-L	282	353
7 Sokkel	UPGUALPQ	587	734
8 Monteringsdetaljer, krom	UPGUINSKJD-61	282	353

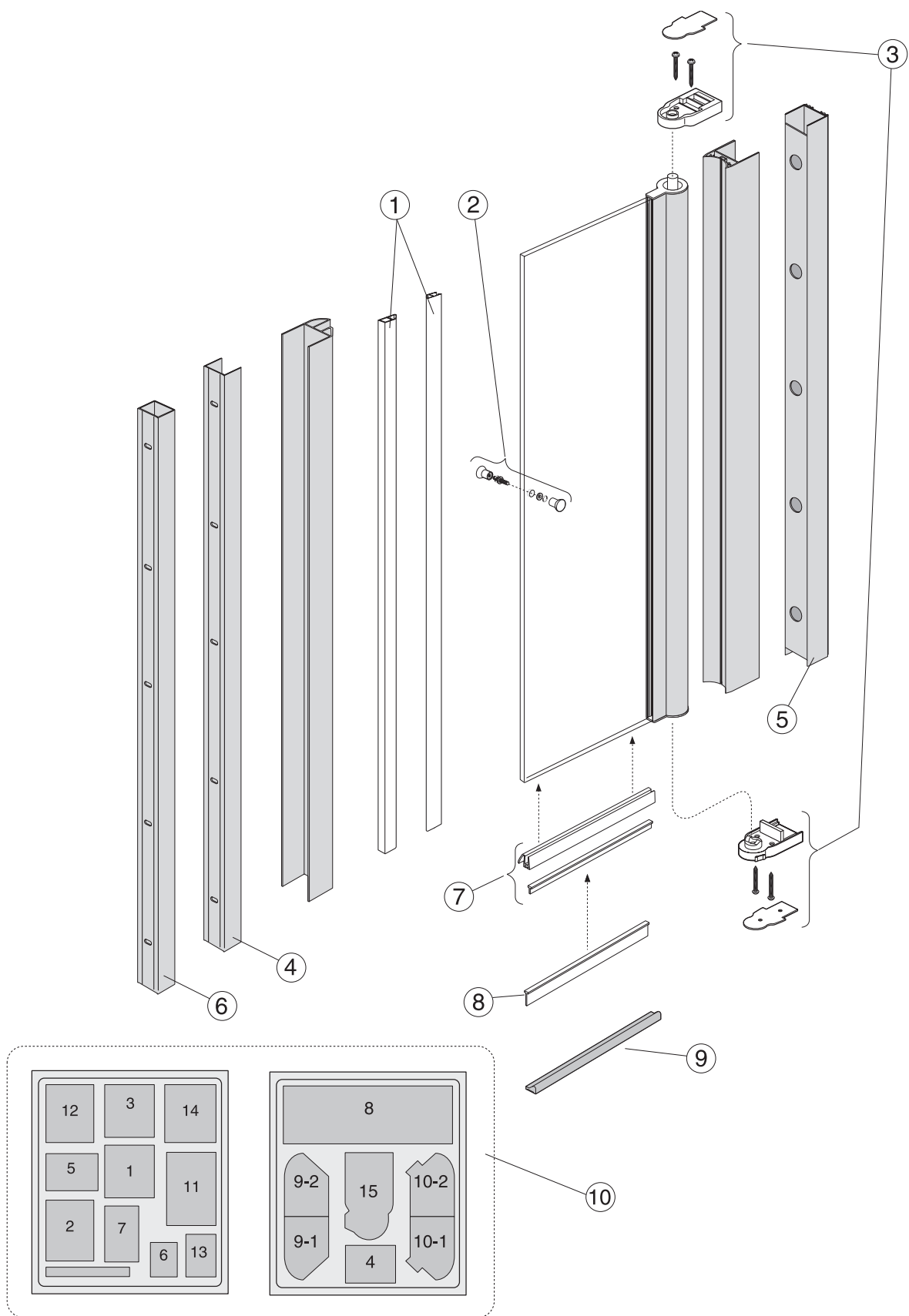


RESERVEDELER

16	16	1
12	2	4
14		6
18	5	17

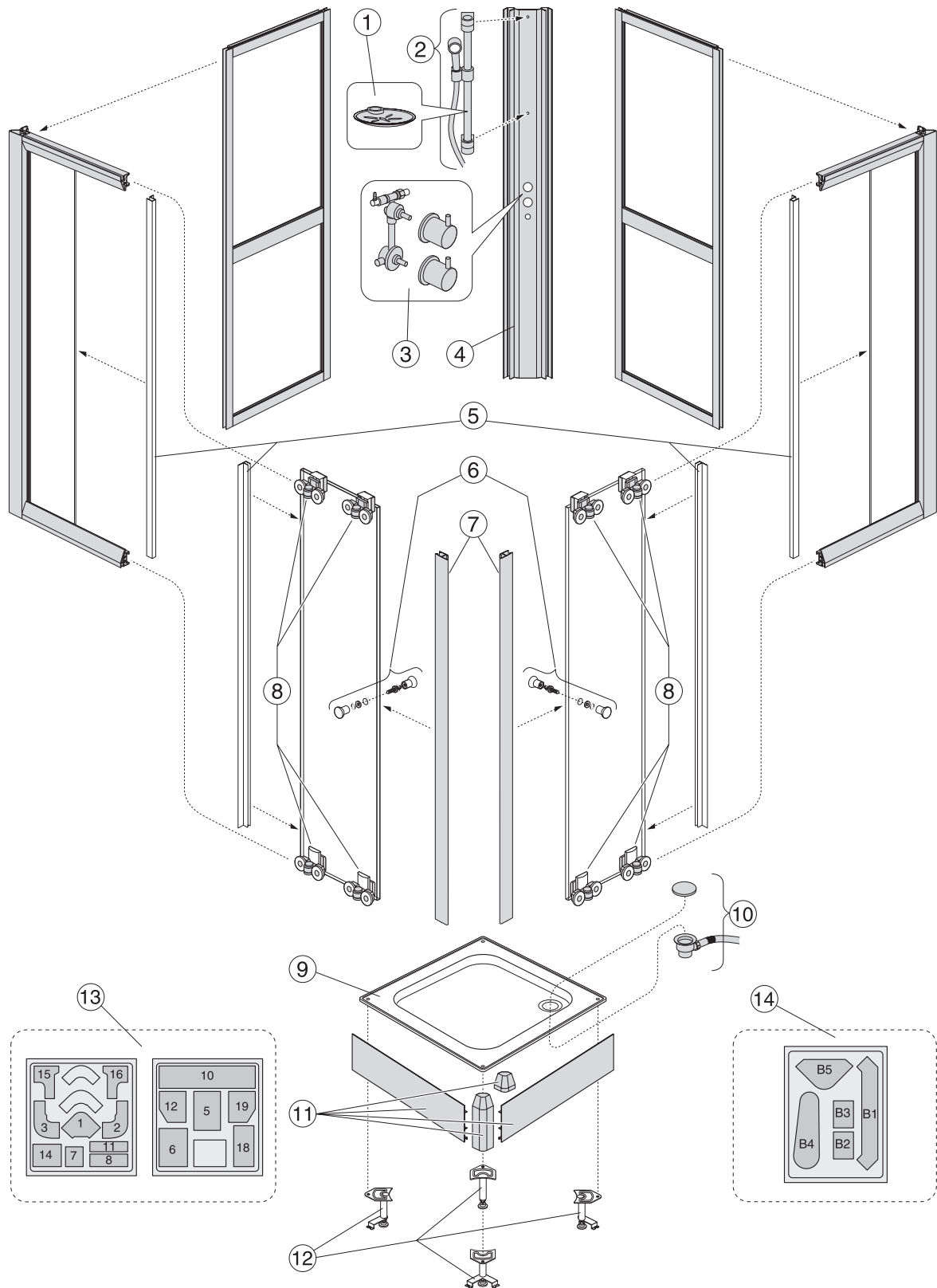
## SC dusjhjørne med rette slagdører

DETALJENUMMER OG PRODUKT	ART. NR.	VEIL. PRIS EKS. MVA.	VEIL. PRIS INKL. MVA.
1 Hjørnebeslag, 2009-	UPGUTHJ	282	353
2 Veggprofil	UPGUFY-011	223	279
3 Dørhåndtak	UDWDOORKNOBW-61	209	261
4 Magnetlister	UPGUED01024	282	353
5 Tetningslister komplett	UPGUSWD-8	282	353
6 Tetningslister ekstra høy	UPGUED02099	276	345
7 Sokkel	UPGUALPD	551	689
8 Monteringsdetaljer	UPGUINSKJD-61	282	353



## SA slagdører for nisjemontering

DETALJENUMMER OG PRODUKT	ART. NR.	VEIL. PRIS EKS. MVA.	VEIL. PRIS INKL. MVA.
1 Magnetlister, 2009-	UPGUMAGSP	282	353
2 Dørhåndtak, 2009-	UDWDOORKNOBW-61	209	261
3 Monteringsdetaljer for dørprofil, 2009-	UPGUTHJ	282	353
4 Veggprofil, 2009-	UPGUFY-011	223	279
5 Tetningslist komplett, 2009-	UPGUSWD-8	282	353
6 Tetningslist ekstra høy, 2009-	UPGUSWD-8-L	282	353
7 Sokkel, 2009-	UPGUALPALCV	551	689
8 Monteringdetaljer, 2009-	UPGUINSKALC	282	353

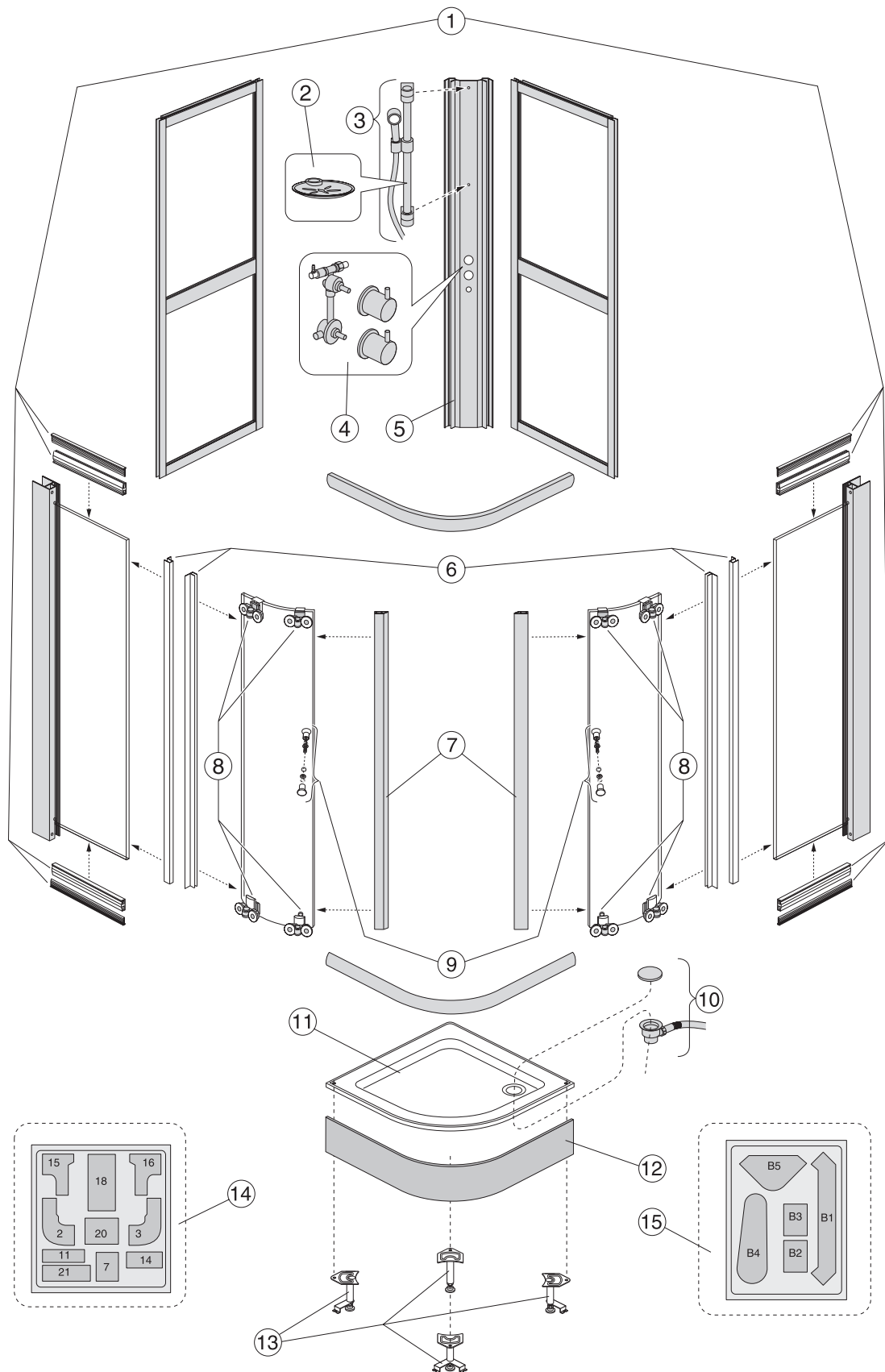


RESERVEDELER

**NACC dusjkabinett**

DETALJENUMMER OG PRODUKT	NRF. NR.	ART. NR.	VEIL. PRIS EKS. MVA.	VEIL. PRIS INKL. MVA.
<b>Med blandebatteri, år 2010-</b>				
2 Dusjsett	4342628	GB41104053 00	825	1.031
3 Blandebatteri		UCTAP0259	879	1.099
5 Tetningslister		UPGUCURSP	209	261
6 Dørhåndtak		UDWDOORKNOBW-61	209	261
7 Magnetlister		UPGUED01020	282	353
8 Trinser		UPGUWH-6-61/2	209	261
9 Dusjkar	6318325	UDL0905NOA1W-01	1.729	2.161
10 Avløpssett		UPGUGHD	96	120
Frontpanel, krom		UPGUPCC90-61	1.070	1.338
11 Frontpanel, hvit		UPGUPCC90-01	1.070	1.338
12 Fotsats		UPGUTFS	183	229
Monteringsdetaljer, krom		UPGUINSKCU-61	282	353
13 Monteringsdetaljer, hvit		UPGUINSKCU-01	282	353
Monteringsdetaljer, krom		UPGUINSKBW-61	282	353
14 Monteringsdetaljer, hvit		UPGUINSKBW-01	282	353

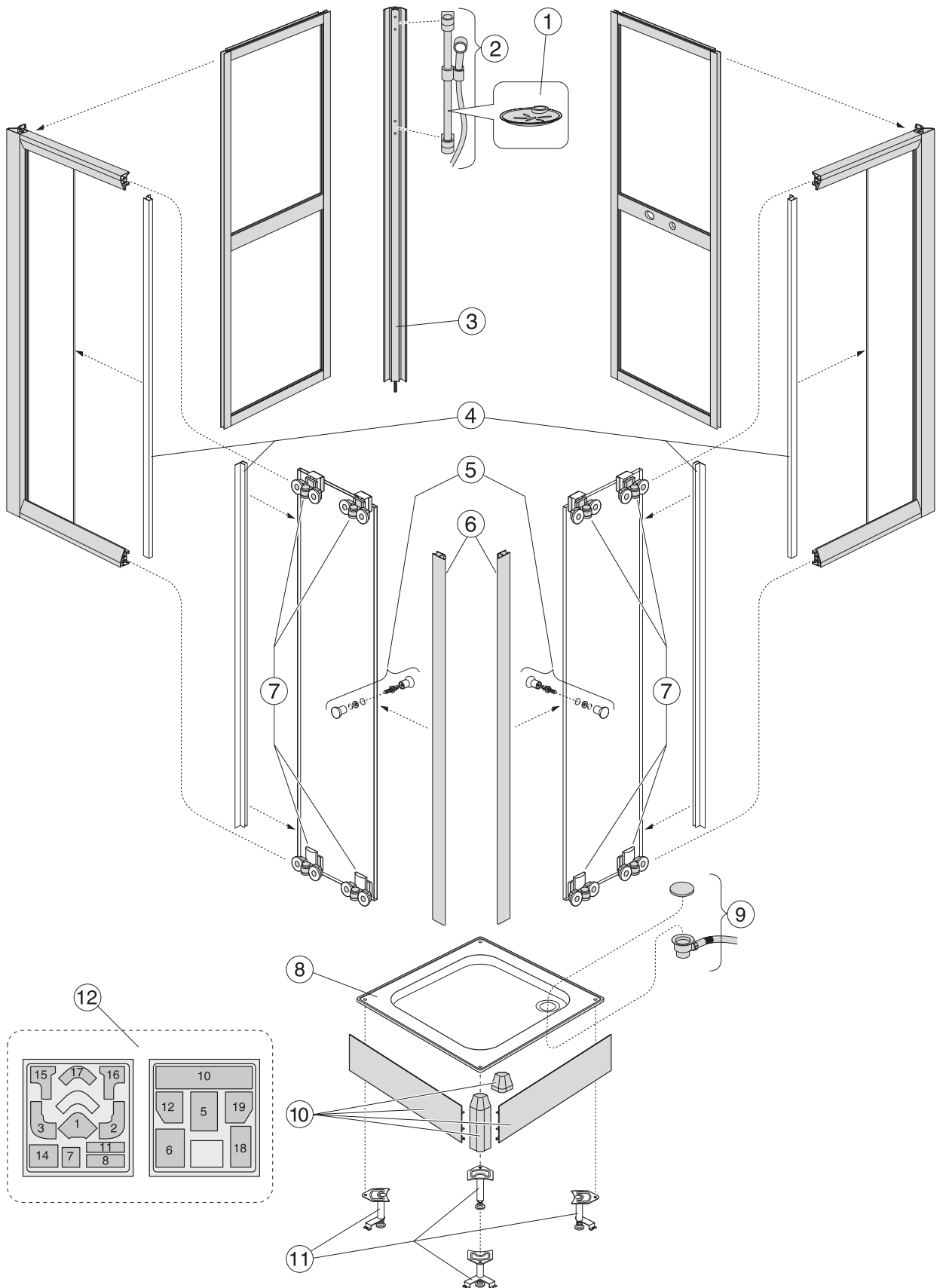




RESERVEDELER

## NACQ halvrundt hjørnekabinett

DETALJENUMMER OG PRODUKT	NRF. NR.	ART. NR.	VEIL. PRIS EKS. MVA.	VEIL. PRIS INKL. MVA.
<b>Med blandebatteri, år 2010-</b>				
1 Tetningslister		UPGUED03030	282	353
3 Dusjsett II	4342628	GB41104053 00	825	1.031
4 Blandebatteri		UCTAP0259	879	1.099
6 Tetningslister		UPGURSPG-6	282	353
7 Magnetlister		UPGUED01020	282	353
8 Trinser		UPGUWH-6-61/2	209	261
9 Dørhåndtak		UDWDOORKNOBW-61	209	261
10 Avløpssett		UPGUGHD	96	120
11 Dusjkar	6318325	UDL0905NAC4W-01	2.015	2.519
Frontpanel, krom		UPGUBP90-61	1.070	1.338
12 Frontpanel, hvit		UPGUBP90-01	1.070	1.338
13 Fotsats		UPGUTFQ	183	229
Monteringsdetaljer, krom		UPGUINSKLQ-61	282	353
14 Monteringsdetaljer, hvit		UPGUINSKLQ-01	282	353
Monteringsdetaljer, krom		UPGUINSKBW-61	282	353
15 Monteringsdetaljer, hvit		UPGUINSKBW-01	282	353



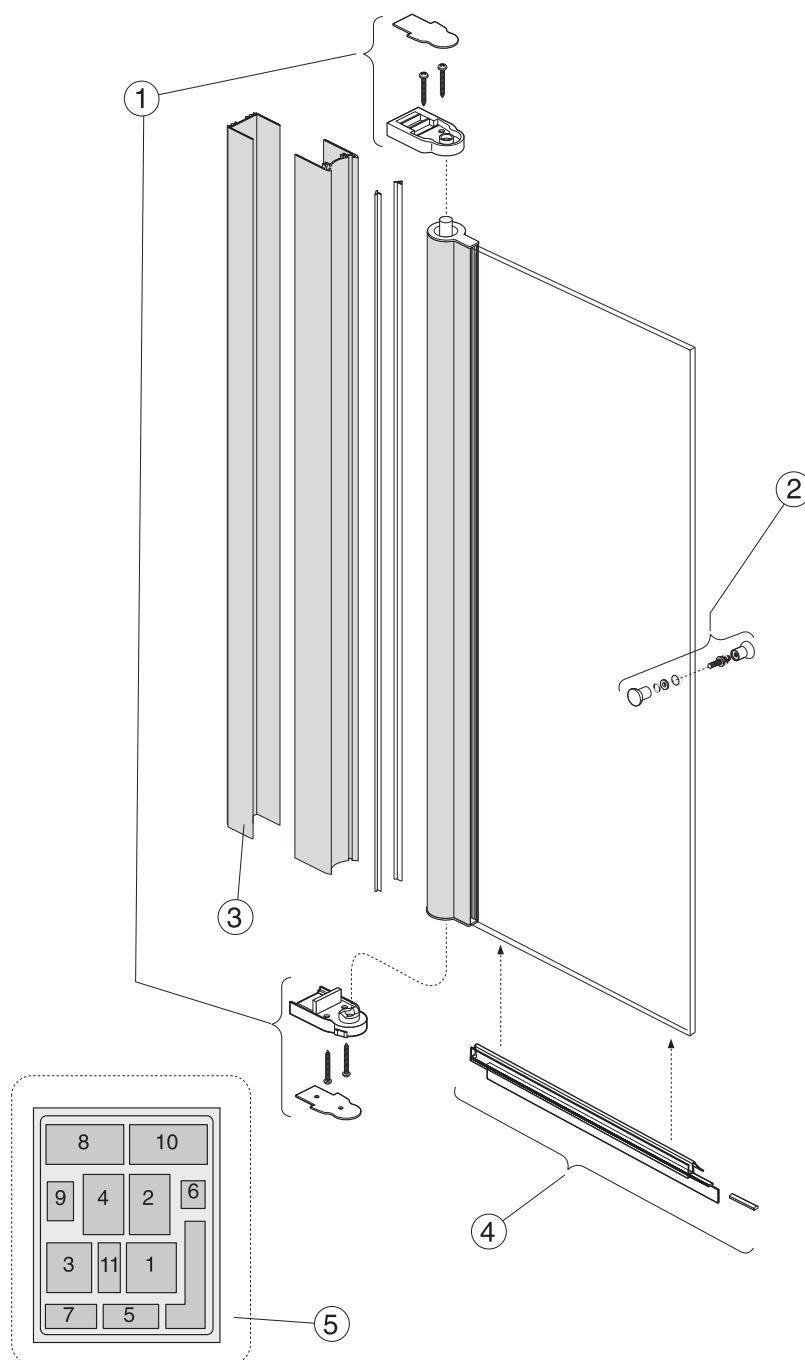
RESERVEDELER

## NCC og NOC firkantet hjørnekabinett

DETALJENUMMER OG PRODUKT	NRF. NR.	ART. NR.	VEIL. PRIS EKS. MVA.	VEIL. PRIS INKL. MVA.
2 Dusjsett	4342628	GB41104053 00	825	1.031
3 Hjørnestolpe, krom		UPGUYDG262-69-61	308	385
Hjørnestolpe, hvit		UPGUYDG262-69-01	285	356
4 Tetningslister		UPGUCURSP	209	261
5 Dørhåndtak		UDWDOORKNOBW-61	209	261
6 Magnetlister		UPGUED01020	282	353
7 Trinser		UPGUWH-6-61/2	209	261
9 Avløpssett		UPGUGHD	96	120
10 Frontpanel, krom		UPGUPCC90-61	1.070	1.338
Frontpanel, hvit		UPGUPCC80-01	1.070	1.338
11 Fotsats		UPGUTFS	183	229
Monteringsdetaljer, krom		UPGUINSKCU-61	282	353
12 Monteringsdetaljer, hvit		UPGUINSKCU-01	282	353

LB badekarvegg

DETALJENUMMER OG PRODUKT	ART. NR.	VEIL. PRIS EKS. MVA.	VEIL. PRIS INKL. MVA.
1 Monteringsdetaljer f/dør UPGUTHWF7201	UPGUTHWF7201	151	189
2 Dørhåndtak	UDWDOORKNOB2W-61	209	261
3 Veggprofil	UPGUDS249	223	279
4 Sokkel	UPGUWDWF7201	551	689
5 Monteringsdetaljer	UPGUINWF7201	282	353



RESERVEDELER



## Reserveleder - Dusjkabinett RCCN, Halvrund hjørnedusj QCN og Firkantet hjørnedusj CSN

### Dusjkabinett RCCN

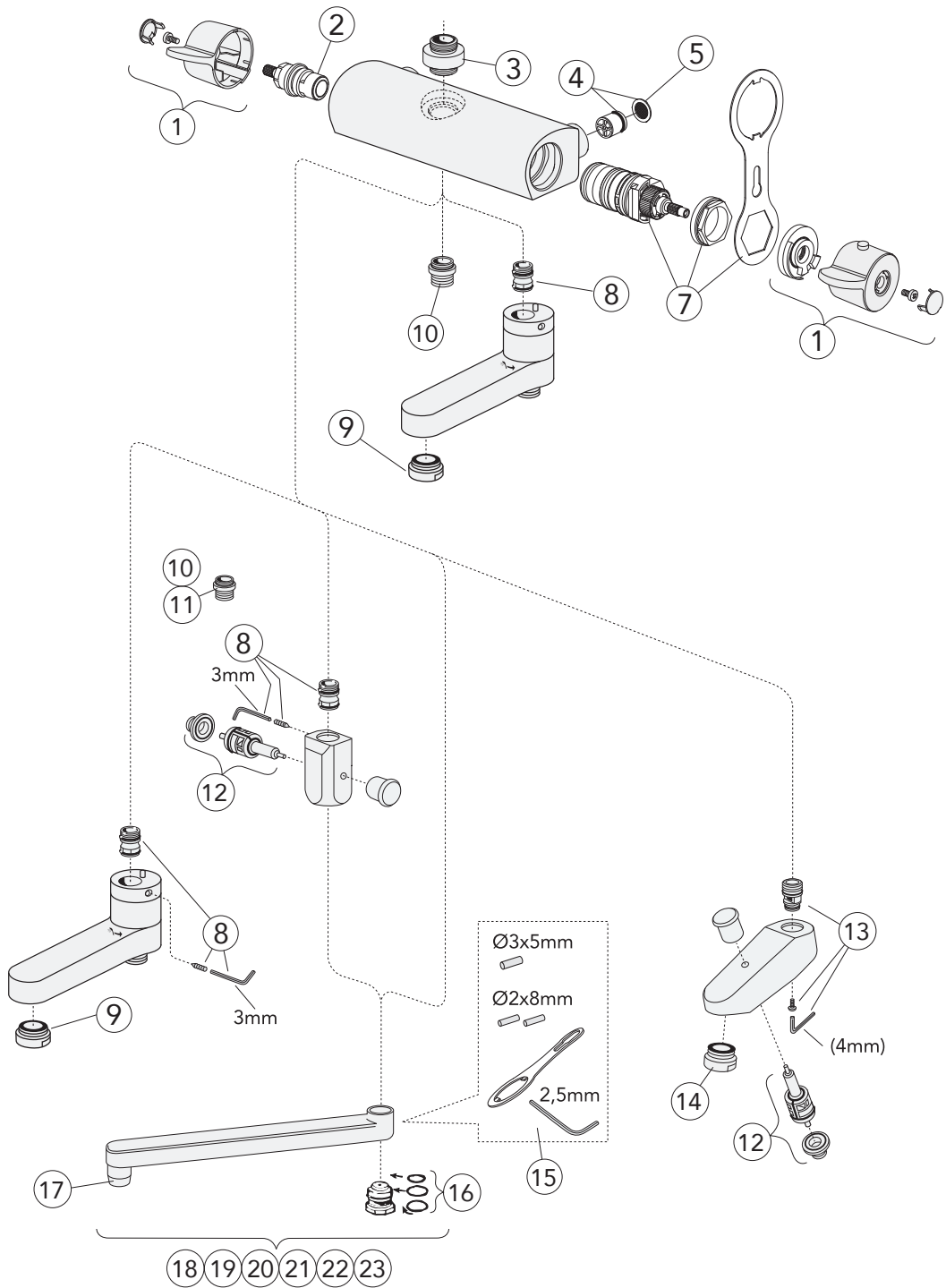
DETALJENUMMER OG PRODUKT	ART. NR.	VEIL. PRIS EKS. MVA.	VEIL. PRIS INKL. MVA.
Hjulsett 4 stk	UCSPM0004-01	197	246
Monteringssett	UCSPM0022-01	56	70
Pakningssett	UCSPM0066	56	70
Silikonlist	UCSPM0077	409	511
Dusjgarnityr for RCCN kabinett	GB35000001	554	693
Såpekopp	UCSPM0079	43	54
Hårsil	GB1929901690	43	54
Panel 80 cm, pr. stk.	UCSPM0089	297	371

### Halvrund hjørnedusj QCN

DETALJENUMMER OG PRODUKT	ART. NR.	VEIL. PRIS EKS. MVA.	VEIL. PRIS INKL. MVA.
<b>Fram til 2005 doble trinser</b>			
Monteringssett 1, komplett, alum.	UCSPM0021-00	128	160
Monteringssett 1, komplett, hvit	UCSPM0021-01	128	160
Monteringssett 2, komplett, hvit	UCSPM0022-01	56	70
Pakningssett 6 komplett	UCSPM0052	334	418

### Firkantet hjørnedusj CSN

DETALJENUMMER OG PRODUKT	ART. NR.	VEIL. PRIS EKS. MVA.	VEIL. PRIS INKL. MVA.
Hjulsett av 4 stk	UCSPM0004	197	246
Monteringssett 1, komplett, alum.	UCSPM0021-00	128	160
Monteringssett 1, komplett, hvit	UCSPM0021-01	128	160
Monteringssett 2, komplett, hvit	UCSPM0022-01	56	70
Pakningssett 6 komplett	UCSPM0052	334	418



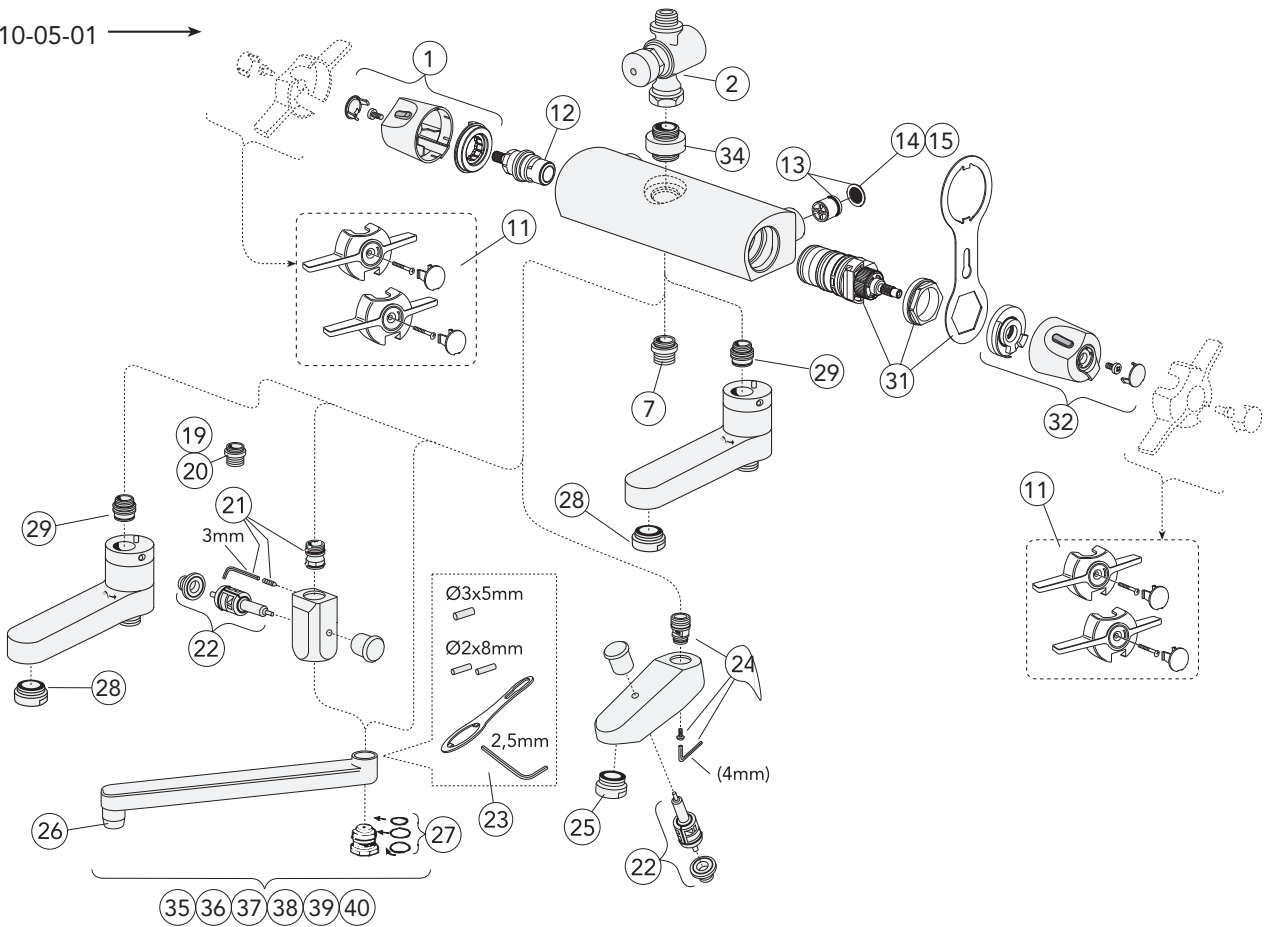
RESERVEDELER

## Nordic<sup>3</sup> termostatbatterier

DETALJENUMMER OG PRODUKT	NRF. NR.	ART. NR.	VEIL. PRIS EKS. MVA.	VEIL. PRIS INKL. MVA.
1 Ratt for mengde -og temperatursiden		GB41639080 01	152	190
2 Ventiloverstykk	4343314	GB41634035 01	122	153
3 Tilkoblingsnippel G1/2xG1/2	4341959	GB41638339 01	47	59
4 Tilbakeslagsventil med filter	4343096	GB41632698 02	131	164
5 Filter for tilbakeslagsventil	4343065	GB41635633 02	44	55
7 Termostatinsats (CA77N)	4342726	GB41638334 01	369	461
8 Tilkoblingsnippel for omkaster	4343362	GB41636359 01	47	59
9 Strålesamler M24x1 D	4342717	GB41637387 01	287	359
10 Tilkoblingsnippel G1/2-M20x1,5	4341962	GB41634757 01	122	153
11 Tilkoblingsnippel med Tilbakeslagsventil G1/2-M20x1,5	4343363	GB41634756 01	122	153
12 Draomkaster	4341963	GB41636577 01	225	281
13 Tilkoblingsnippel for utløpstut	4343368	GB41637347	122	153
14 Strålesamlere M28x1, krom	4343123	GB41634555 01	287	359
15 Detaljer for slagbegrensning tut	4342754	GB41633972	48	60
16 O-ringsats for utløpstut	4342755	GB41633952 01	49	61
17 Strålesamlere M24x1 B	4343241	GB41630131 01	84	105
18 Svingbar utløpstut 85 mm	4342879	GB41633631	416	520
19 Svingbar utløpstut 150 mm	4342877	GB41633632	416	520
20 Svingbar utløpstut 200 mm	4342878	GB41633633	554	693
21 Svingbar utløpstut 250 mm	4342868	GB41633614	574	718
22 Svingbar utløpstut 350 mm	4342625	GB41633616	733	916
23 Svingbar utløpstut 400 mm	4342626	GB41633624	766	958



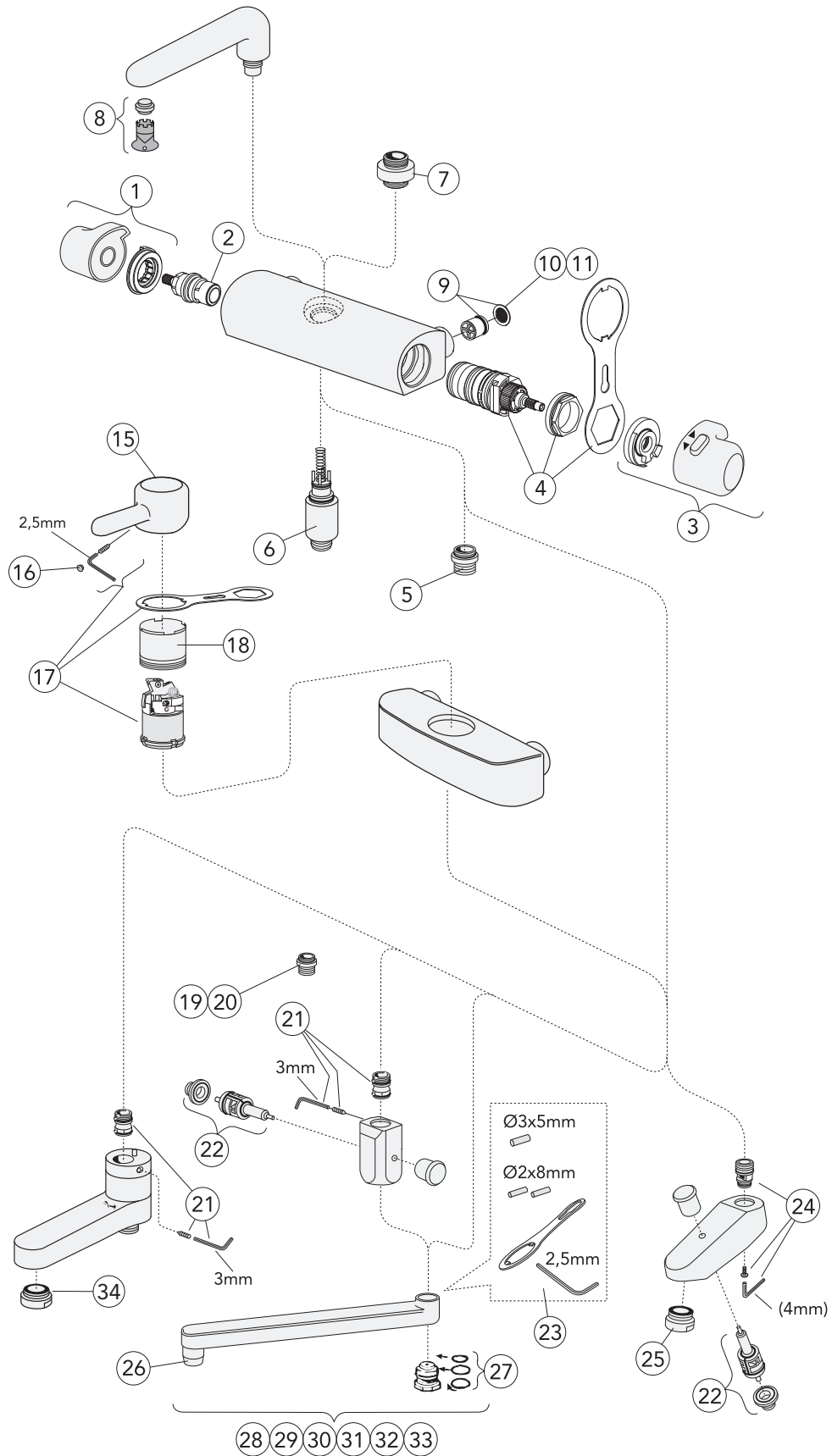
2010-05-01 →



RESERVEDELER

## Nautic termostatbatterier

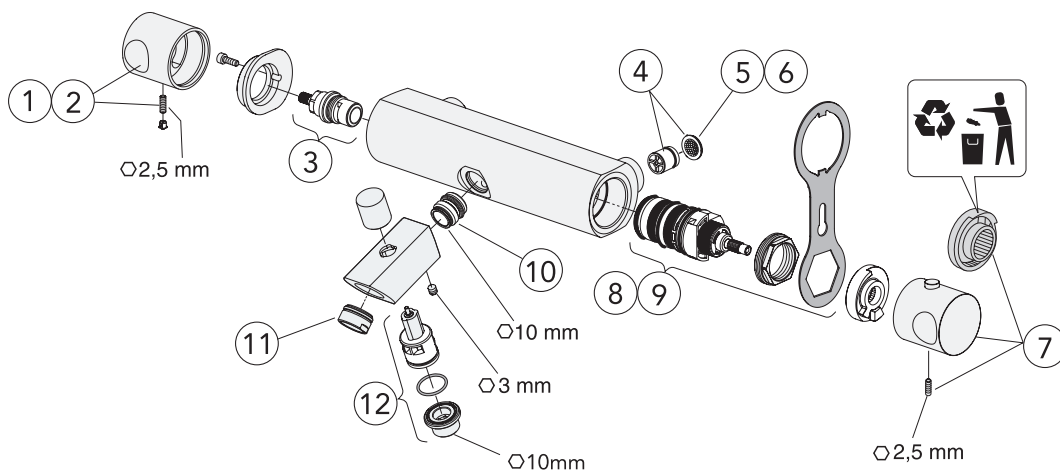
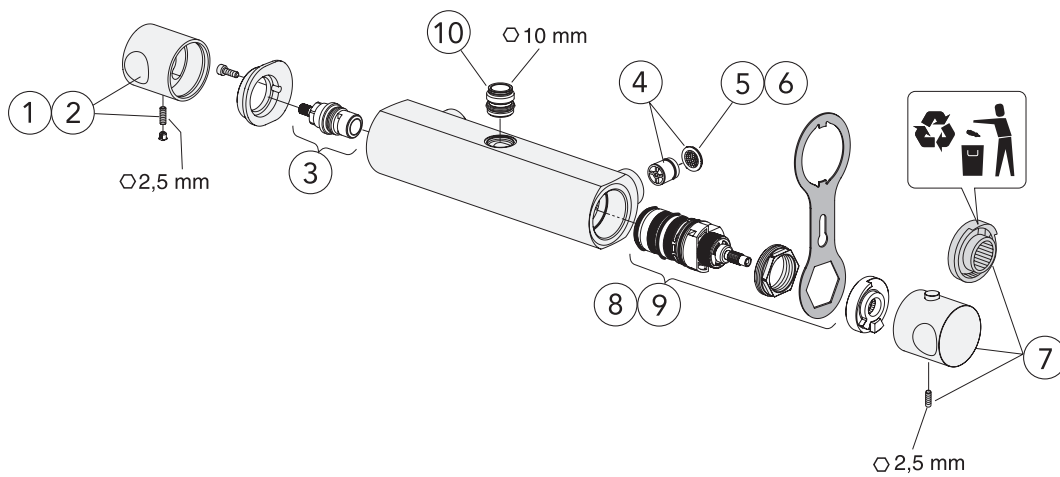
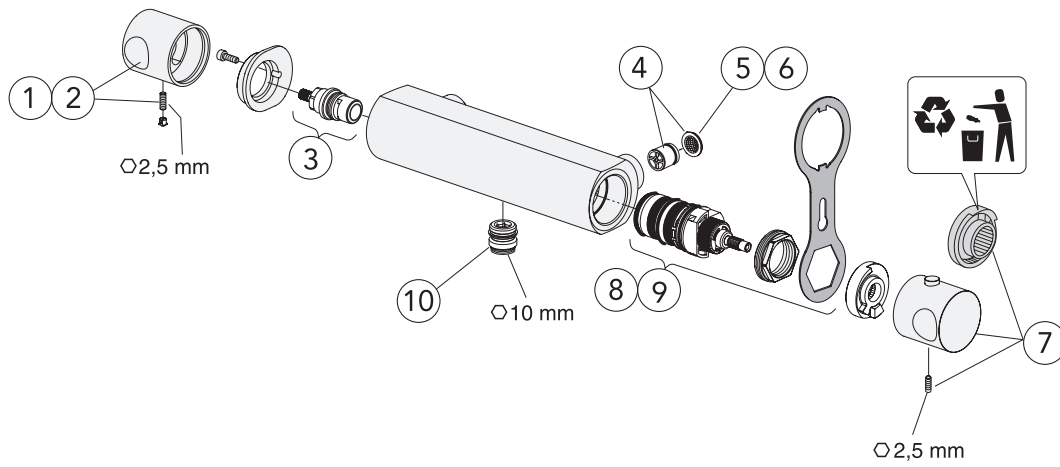
DETALJENUMMER OG PRODUKT	NRF. NR.	ART. NR.	VEIL. PRIS EKS. MVA.	VEIL. PRIS INKL. MVA.
1 Ratt for mengdeside	4342635	GB41637804 01	105	131
2 Tidsinnstilt trykkventil		GB41631830	4.571	5.714
6 Tilkoblingsnippel med tilbakeslagsventil G1/2-G1/2	4341952	GB41632814 02	122	153
7 Tilkoblingsnippel M20x1,5-G1/2 for dusjslange	4341962	GB41634757 01	122	153
11 HC spak for mengde/temperatursiden	4342637	GB41637840 02	167	209
12 Ventiloverstykke	4343314	GB41634035 01	122	153
13 Tilbakeslagsventil med filter	4343096	GB41632698 02	131	164
14 Filter for tilbakeslagsventil	4343065	GB41635633 02	44	55
19 Tilkoplingsnippel G1/2-M20x1,5	4341962	GB41634757 01	122	153
20 Tilkoplingsnippel med tilbakeslagsventil G1/2-M20x1,5	4343363	GB41634756 01	122	153
21 Tilkoblingsnippel for omkastere	4343362	GB41636359 01	47	59
22 Draomkastere	4341963	GB41636577 01	225	281
23 Detaljer for slagbegrensning tut	4342754	GB41633972	48	60
24 Tilkoblingsnippel for utløpstut	4343368	GB41637347	122	153
25 Strålesamlere M28x1, krom	4343123	GB41634555 01	287	359
26 Strålesamlere M24x1 B	4343241	GB41630131 01	84	105
27 O-ringsats for utløpstut	4342755	GB41633952 01	49	61
28 Strålesamlere M24x1 D	4342717	GB41637387 01	287	359
29 Tilkoblingsnippel for omkastere	4343362	GB41636359 01	47	59
31 Termostatinnsats (CA77N)	4342726	GB41638334 01	369	461
32 Ratt for temperatursiden (CA77N)	4341957	GB41638336 01	47	59
33 Tilkoplingsnippel G1/2xG1/2	4341958	GB41632815	122	153
34 Tilkoplingsnippel G1/2-G1/2	4341959	GB41638339 01	47	59
35 Svingbar utløpstut 85 mm	4342879	GB41633631	416	520
36 Svingbar utløpstut 150mm	4342877	GB41633632	416	520
37 Svingbar utløpstut 200mm	4342878	GB41633633	554	693
38 Svingbar utløpstut 250mm	4342868	GB41633614	574	718
39 Svingbar utløpstut 350mm	4342625	GB41633616	733	916
40 Svingbar utløpstut 400mm	4342626	GB41633624	766	958
Temperaturatt	4342636	GB41637810 01	105	131





## Logic termostat/ettgrepsbatteri

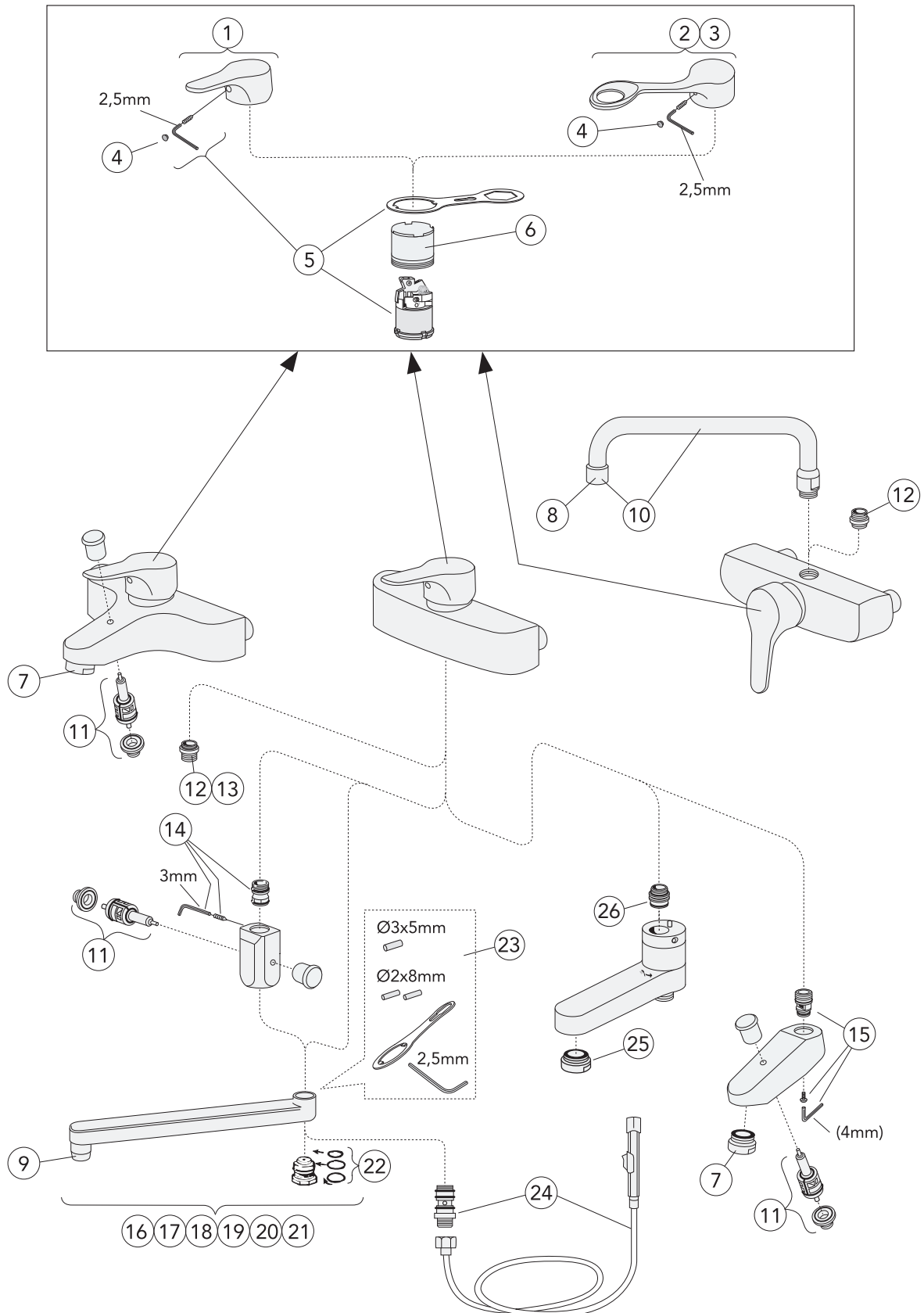
DETALJENUMMER OG PRODUKT	NRF. NR.	ART. NR.	VEIL. PRIS EKS. MVA.	VEIL. PRIS INKL. MVA.
1 Ratt for mengdeside	4342785	GB41638530 01	104	130
2 Ventiloverstykk		GB41638529 01	122	153
3 Ratt for temperaturside	4342786	GB41638525 01	104	130
4 Termostatinnsetts for dusjslange	4342726	GB41638334 01	369	461
5 Tilkoblingsnippel M20x1,5-G1/2	4341962	GB41634757 01	122	153
6 Omkaster	4342787	GB41638545 01	225	281
7 Tilkoblingsnippel G1/2xG1/2	4341959	GB41638339 01	47	59
8 Strålesamler, Cache-CC-STD M24x1 "D"	4342788	GB41638542 01	286	358
9 Tilbakeslagsventil med filter	4343096	GB41632698 02	131	164
10 Filter for tilbakeslagsventil	4343065	GB41635633 02	44	55
15 Ettgrepspak Logic	4342766	GB41638514 01	242	303
16 Dekkplugg rød/blå merking	4342661	GB41634828 01	104	130
17 Servicepatron Logic/Nautic	4343367	GB41637267 01	403	504
18 Låsring M45x1,5	4342753	GB41637261 01	115	144
19 Tilkoblingsnippel G1/2-M20x1,5	4341962	GB41634757 01	122	153
20 Tilkoblingsnippel m/tilbakeslagsventil G1/2-M20x1,5	4343363	GB41634756 01	122	153
21 Tilkoblingsnippel for omkaster	4343362	GB41636359 01	47	59
22 Draomkaster	4341963	GB41636577 01	225	281
23 Detaljer for slagbegrensning tut	4342754	GB41633972	48	60
24 Tilkoblingsnippel for utløpstut	4343368	GB41637347	122	153
25 Strålesamler M28x1, krom	4343123	GB41634555 01	287	359
26 Strålesamler M24x1	4343241	GB41630131 01	84	105
27 O-ring for utløpstut	4342755	GB41633952 01	49	61
28 Svingbar utløpstut 85 mm	4342879	GB41633631	416	520
29 Svingbar utløpstut 150 mm	4342877	GB41633632	416	520
30 Svingbar utløpstut 200 mm	4342878	GB41633633	554	693
31 Svingbar utløpstut 250 mm	4342868	GB41633614	574	718
32 Svingbar utløpstut 350 mm	4342625	GB41633616	733	916
33 Svingbar utløpstut 400 mm	4342626	GB41633624	766	958
34 Strålesamler M24x1 D	4342717	GB41637387 01	287	359



RESERVELEDER

## Coloric termostatbatterier

DETALJENUMMER OG PRODUKT	NRF. NR.	ART. NR.	VEIL. PRIS EKS. MVA.	VEIL. PRIS INKL. MVA.
1 Ratt for mengdesiden -2010.09	4342779	GB41638281 01	470	588
2 Ratt for mengdesiden 2010.09-	4342684	GB41636465 01	703	879
3 Ventiloverstykke	4342782	GB41638283 01	121	151
4 Bakventil med filter	4343096	GB41632698 02	131	164
5 Filter for bakventil	4343065	GB41635633 02	44	55
7 Ratt for temperatursiden	4342685	GB41636460 01	703	879
8 Termostatinnsets -2010.09	4342783	GB41638287 01	369	461
9 Termostatinnsets (CA77N) 2010.09-	4342726	GB41638334 01	369	461
10 Tilkoplingnippel M20x1,5-G1/2	4342723	GB41637410	121	151
11 Strålesamler M24x1	4342717	GB41637387 01	287	359
12 Draomkaster	4342725	GB41637416	313	391

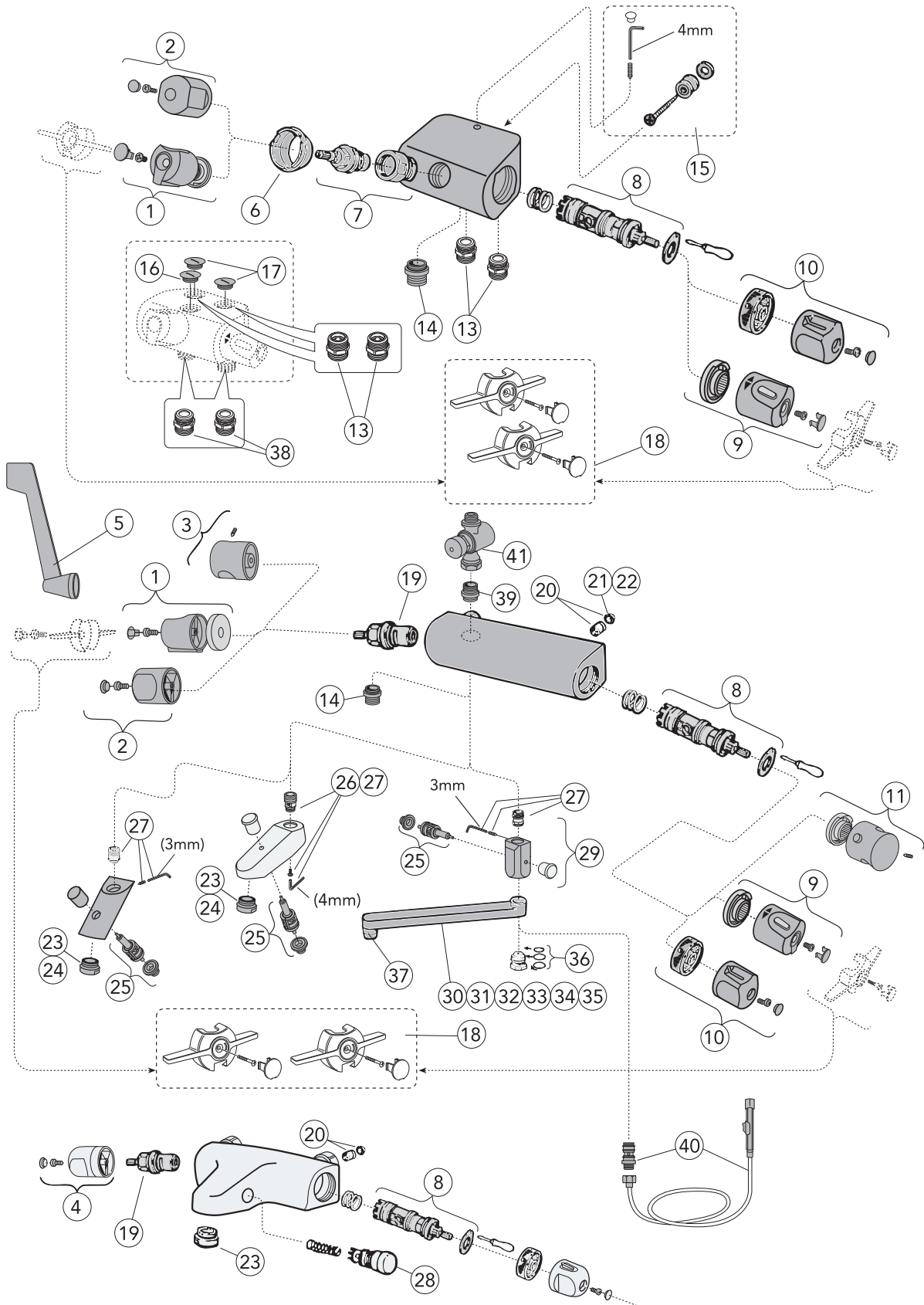


RESERVEDELER

## Nautic dusj- og badekarsbatterier

DETALJENUMMER OG PRODUKT	NRF. NR.	ART. NR.	VEIL. PRIS EKS. MVA.	VEIL. PRIS INKL. MVA.
1 Ettgrepsspak Nautic	4343366	GB41637250	227	284
2 Ettgrepsspak HC Nautic		GB41637360 01	327	409
3 Ettgrepsspak HC Nautic (Rød/blå markering)	4342627	GB41637363 01	340	425
4 Dekkplugg Rød/blå merking	4342661	GB41634828 01	104	130
5 Servicepatron m/verktøy Nautic/Logic	4343367	GB41637267 01	403	504
6 Låsring M45x1,5	4342753	GB41637261 01	115	144
7 Strålesamlere M28x1	4343123	GB41634555 01	287	359
8 Strålesamlere M22x1	4343242	GB41630129 01	84	105
9 Strålesamlere M24x1	4343241	GB41630131 01	84	105
10 Utløpstut 250	4342624	GB41630184	574	718
11 Draomkaster	4341963	GB41636577 01	225	281
12 Tilkoplingsnippel G1/2-M20x1,5	4341962	GB41634757 01	122	153
13 Tilobl.nippel m/tilb.sl.ventil f/dusjslange G1/2-M20x1,5	4343363	GB41634756 01	122	153
14 Tilkoplingsnippel for omkastere	4343362	GB41636359 01	47	59
15 Tilkoplingsnippel for badekartut	4343368	GB41637347	122	153
16 Svingbar utløpstut 85 mm	4342879	GB41633631	416	520
17 Svingbar utløpstut 150 mm	4342877	GB41633632	416	520
18 Svingbar utløpstut 200 mm	4342878	GB41633633	554	693
19 Svingbar utløpstut 250 mm	4342868	GB41633614	574	718
20 Svingbar utløpstut 350 mm	4342625	GB41633616	733	916
21 Svingbar utløpstut 400 mm	4342626	GB41633624	766	958
22 O-ringsats for utløpstut	4342755	GB41633952 01	49	61
23 Detaljer for slagbegrensning tut	4342754	GB41633972	48	60
24 Hånddusj for veggmonterte blandebatterier m/slange	4343335	GB41634210	723	904
25 Strålesamler M24x1 D	4342717	GB41637387 01	287	359
26 Tilkoplingsnippel M20x1,5	4343362	GB41636359 01	47	59

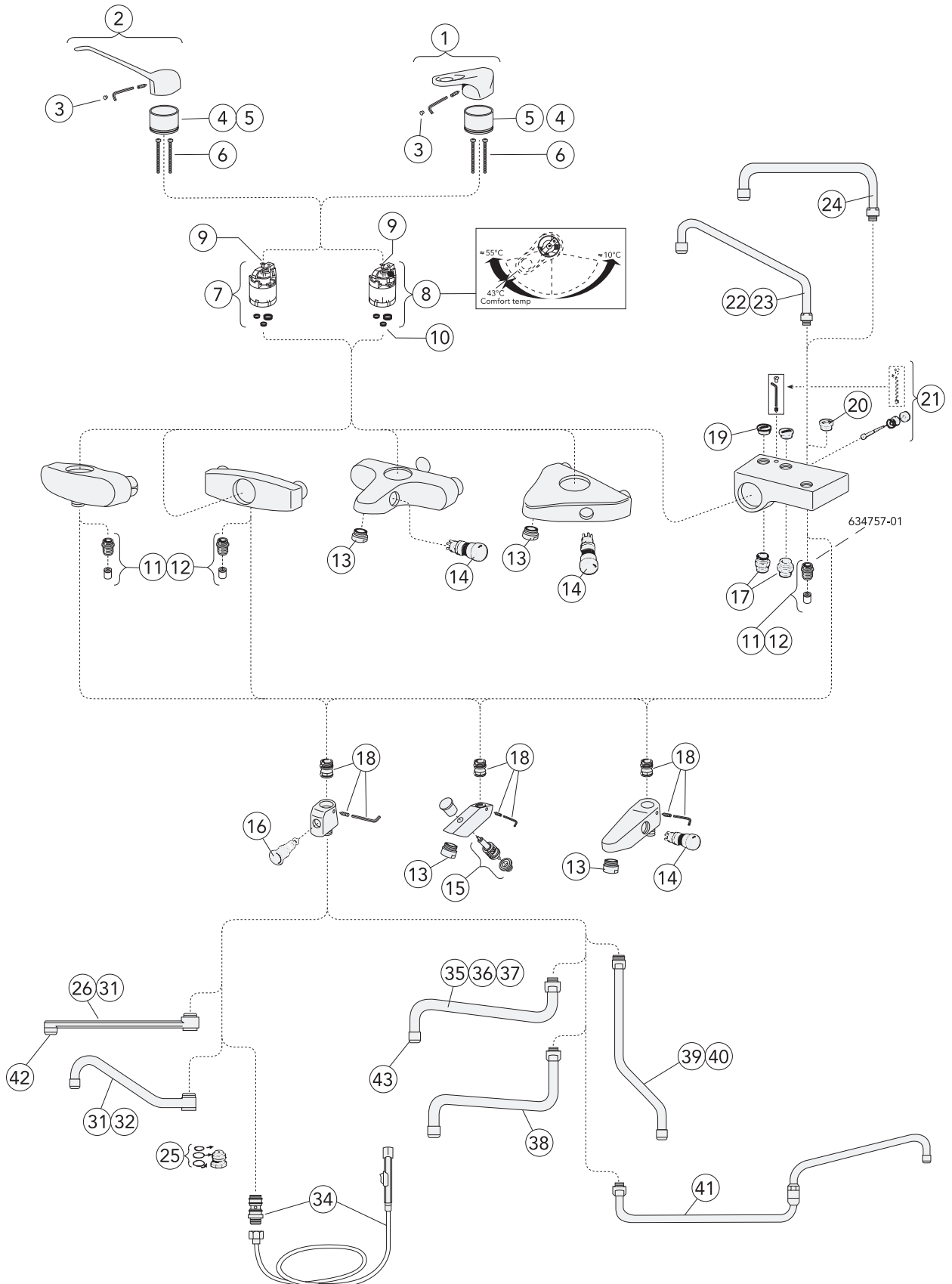






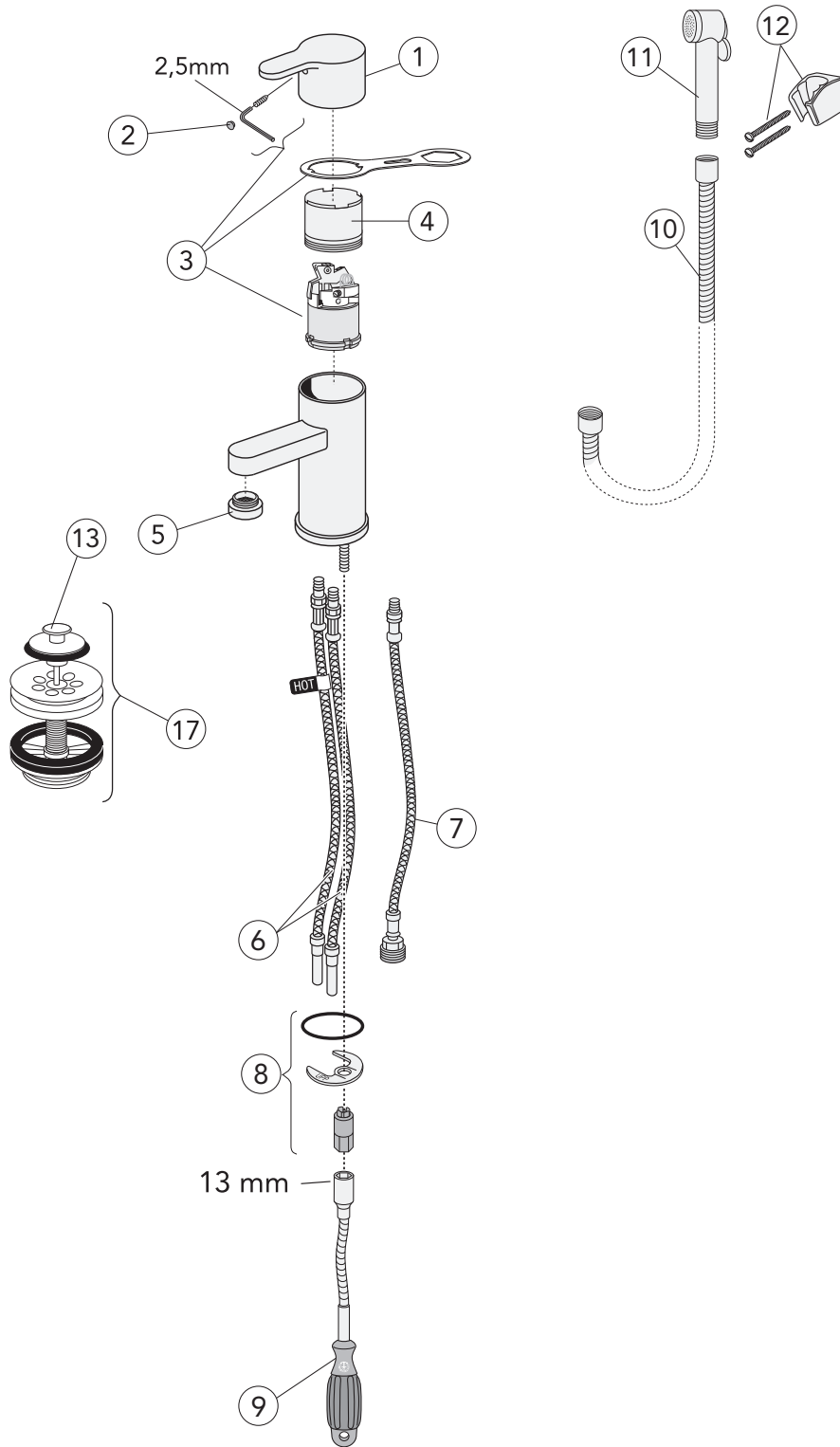
## Nordic, Nautic og Skandic termostatbatterier

DETALJENUMMER OG PRODUKT	NRF. NR.	ART. NR.	VEIL. PRIS EKS. MVA.	VEIL. PRIS INKL. MVA.
1 Ratt for mengdesiden Nautic	4342635	GB41637804 01	105	131
2 Ratt for mengdsiden Nordic	4343061	GB41636479 01	105	131
3 Ratt for mengdsiden Skandic 03	4342684	GB41636465 01	703	879
8 Termostatinnsetts	4343295	GB41634045 01	422	528
9 Ratt for temperatursiden Nautic (gammel)	4342636	GB41637810 01	105	131
10 Ratt for temperatursiden Nordic	4343062	GB41636480 01	107	134
11 Ratt for temperatursiden Skandic 03	4342685	GB41636460 01	703	879
13 Tilkoblingsnippel med tilbakeslagsventil G1/2-G1/2	4341952	GB41632814 02	122	153
14 Utløpsnippel M20x1,5-G1/2	4341962	GB41634757 01	122	153
18 HC spak for mengde/temperatursiden	4342637	GB41637840 02	167	209
19 Kompl. overdel f/mengdeside	4343314	GB41634035 01	122	153
20 Tilbakeslagsventil med filter	4343096	GB41632698 02	131	164
21 Filter for tilbakeslagsventil	4343065	GB41635633 02	44	55
23 Strålesamler M28x1, krom	4343123	GB41634555 01	287	359
24 Strålesamler M28x1, grå	4342692	GB41634078 01	290	363
25 Draomkaster	4341963	GB41636577 01	225	281
26 Tilkoblingsnippelsnippel 20x1,5 2007 10-	4343368	GB41637347	122	153
27 Tilkoblingsnippelsnippel M20x1,5 -2007 10	4343362	GB41636359 01	47	59
28 Omkaster	4343124	GB41634799 0001	157	196
29 Omkaster	4342634	GB41637315	600	750
30 Svingbar utløpstut 85 mm	4342879	GB41633631	416	520
31 Svingbar utløpstut 150 mm	4342877	GB41633632	416	520
32 Svingbar utløpstut 200 mm	4342878	GB41633633	554	693
33 Svingbar utløpstut 250 mm	4342868	GB41633614	574	718
34 Svingbar utløpstut 350 mm	4342625	GB41633616	733	916
35 Svingbar utløpstut 400 mm	4342626	GB41633624	766	958
36 O-ringsats for utløpstut	4342755	GB41633952 01	49	61
37 Strålesamlere M24x1	4343241	GB41630131 01	84	105
38 Tilkoblingsnippel G1/2xG1/2	4341958	GB41632815	122	153
39 Utløpsnippel G1/2xG1/2	4341959	GB41638339 01	47	59
40 Håndduj for veggmonterte blandebatterier m/slange	4343335	GB41634210	723	904
41 Tidsinnstilt trykkventil (Presto)		GB41631830	4.571	5.714



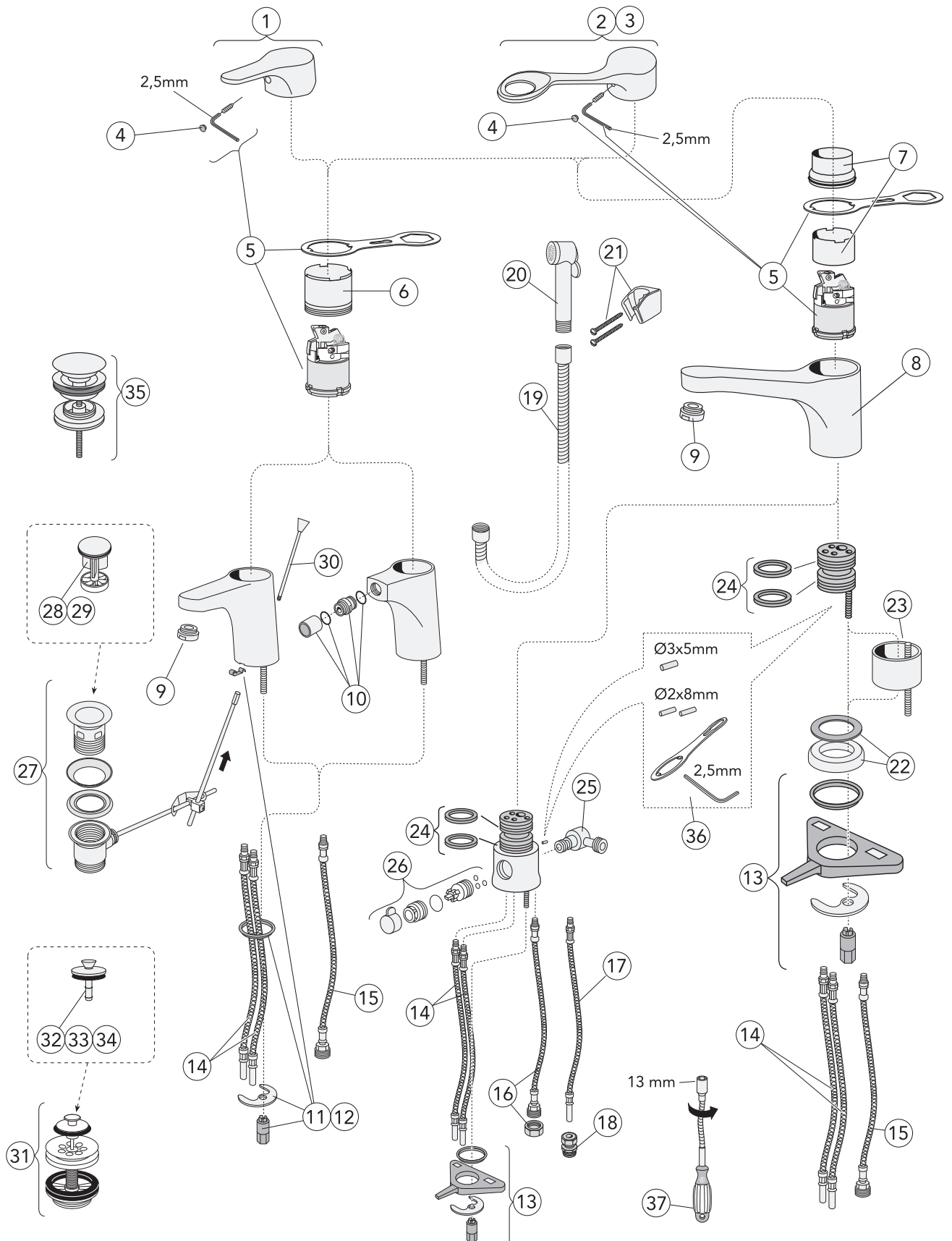
## Nordic vegg batterier

DETALJENUMMER OG PRODUKT	NRF. NR.	ART. NR.	VEIL. PRIS EKS. MVA.	VEIL. PRIS INKL. MVA.
1 Ettgrepspak Nordic	4343347	GB41636617 01	168	210
2 Ettgrepspak RH Nordic	4342991	GB41635430 01	327	409
3 Dekkkplugg rød/blå merking	4342661	GB41634828 01	104	130
4 Kåpe gjenget	4343166	GB41634470 01	115	144
5 Kåpe med O-ring	4343126	GB41636326 01	118	148
6 Skrue M5x40	4343216	GB41632731 02	48	60
7 Servicepatron inkl. topplokk(634955-01)	4343196	GB41633877 01	478	598
8 Servicepatron TT-funksjon	4343059	GB41635678 8701	468	585
10 Gummipakning f/servicepatron	4343211	GB41633513 01	61	76
11 Tilkoplingsnippel G1/2-M20x1,5	4341962	GB41634757 01	122	153
12 Tilkoplingsnippel med backventil G1/2-M20x1,5	4343363	GB41634756 01	122	153
13 Strålsamlere M28x1	4343123	GB41634555 01	287	359
14 Omkastere	4343124	GB41634799 0001	157	196
15 Draomkastere	4341963	GB41636577 01	225	281
16 Draomkastere		GB41635175 01	225	281
18 Tilkoplingsnippel for omkastere	4343362	GB41636359 01	47	59
25 O-ringsats for utløpstut	4342755	GB41633952 01	49	61
26 Svingbar utløpstut 85 mm	4342879	GB41633631	416	520
27 Svingbar utløpstut 150 mm	4342877	GB41633632	416	520
28 Svingbar utløpstut 200 mm	4342878	GB41633633	554	693
29 Svingbar utløpstut 250 mm	4342868	GB41633614	574	718
30 Svingbar utløpstut 350 mm	4342625	GB41633616	733	916
31 Svingbar utløpstut 400 mm	4342626	GB41633624	766	958
32 Svingbar utløpstut 250 mm		GB41633644	412	515
33 Svingbar utløpstut 410 mm		GB41633646	661	826
34 Hånddusj for veggmonterte blandebatterier	4343335	GB41634210	723	904
35 Svingbar utløpstut 150 mm	4342815	GB41630191	311	389
36 Svingbar utløpstut 250 mm	4342819	GB41630194	421	526
37 Svingbar utløpstut 350 mm	4342975	GB41630197	340	425
38 Svingbar utløpstut 250 mm	4342977	GB41630196	340	425
39 Fast utløpstut 250 mm		GB41632555	400	500
41 Svingbar utløpstut 945 mm	4342811	GB41630151	1.597	1.996
42 Strålesamlere M24x1	4343241	GB41630131 01	84	105
43 Strålesamlere M22x1	4343242	GB41630129 01	84	105
Strålesamlere M24x1		GB41630131 01	84	105



**Nordic<sup>3</sup> servantkraner**

DETALJENUMMER OG PRODUKT	NRF. NR.	ART. NR.	VEIL. PRIS EKS. MVA.	VEIL. PRIS INKL. MVA.
1 Ettgreppspak Nordic <sup>3</sup>		GB41639062 01	227	284
2 Dekkplugg	4342661	GB41634828 01	104	130
3 Servicepatron m/verktøy for Nordic <sup>3</sup> / Nautic/Logic	4343367	GB41637267 01	403	504
4 Låsering M45x1,5	4342753	GB41637261 01	115	144
5 Strålesamler, M24x1		GB41639097 01	84	105
6 SoftPex slanger (M10x1-ø10)	4342633	GB41637161 02	168	210
7 SoftPex slange (M10x1-G1/2)	4342769	GB41638224 01	118	148
8 Monteringsdetaljer	4342772	GB41636457 01	60	75
9 Monteringsverktøy 13/6k	4343341	GB43000014 10	162	203
10 Dusjslange Biflex 1,75m G1/2xG1/2	4343804	GB41636263 00	93	116
11 Selvstengende hånddusj	4343121	GB41633860 33	515	644
12 Hånddusjfeste	4340714	GB41637575	94	118
13 Propp till silpluggventil (ø36 mm) 2010 05-	4340718	GB41638453 01	68	85

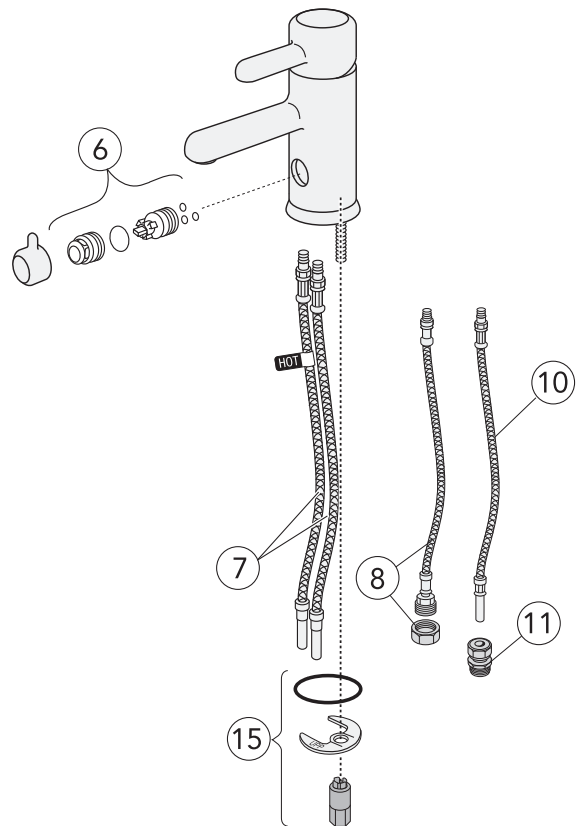
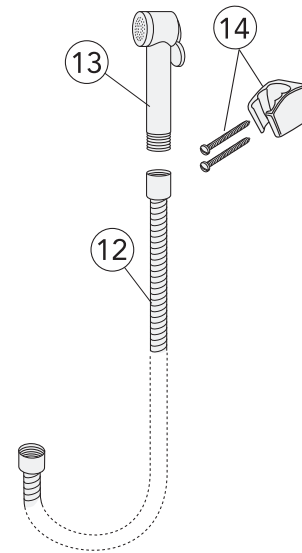
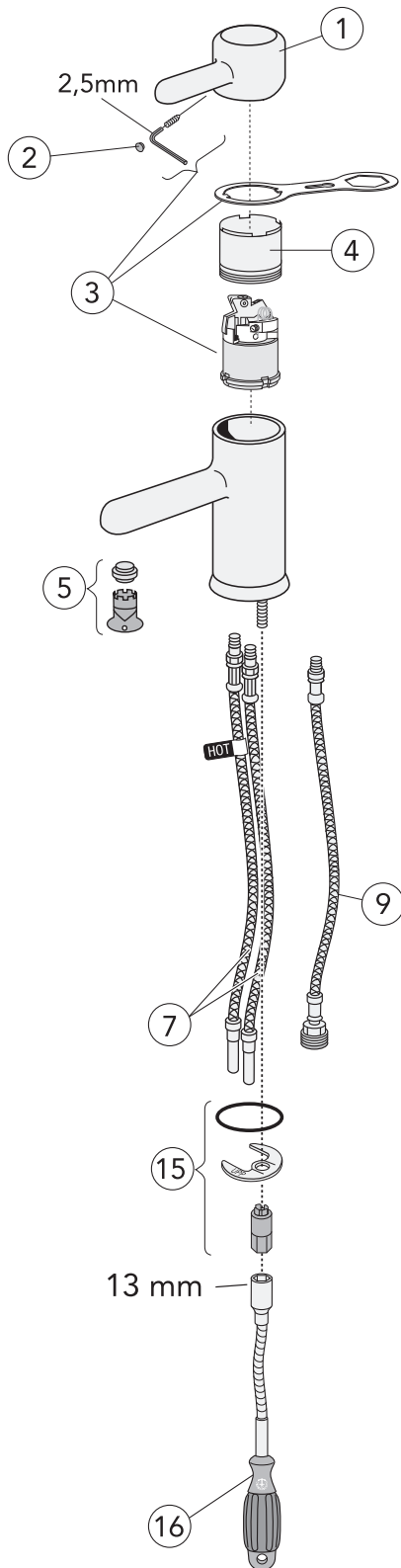




## Nautic servant- og bidekraner

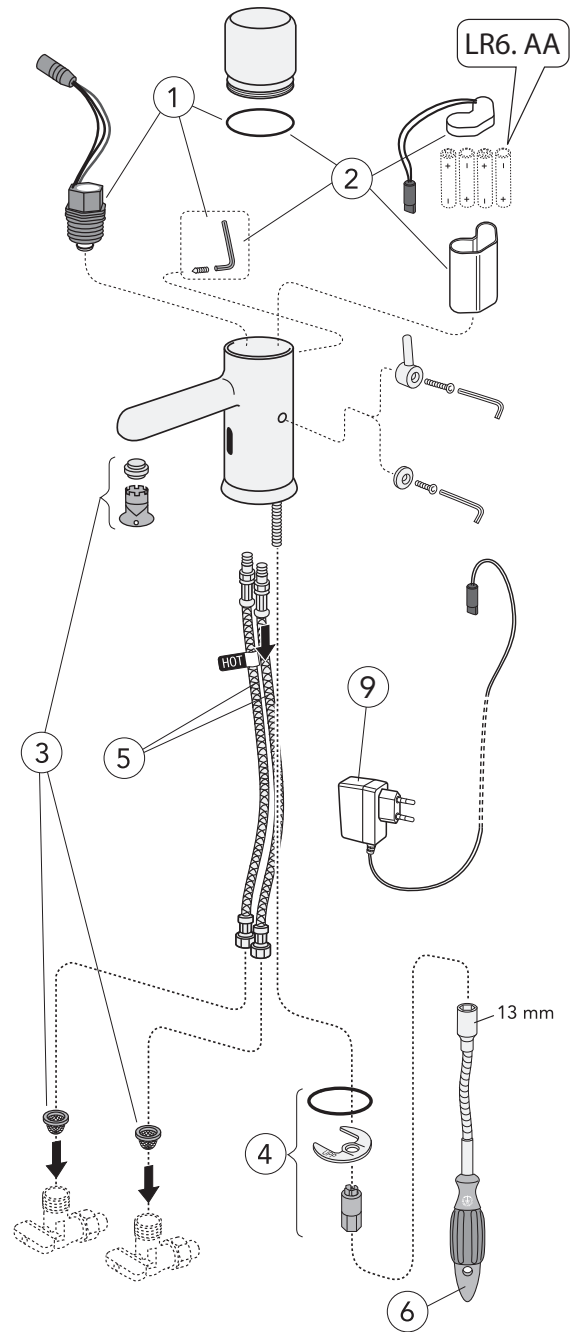
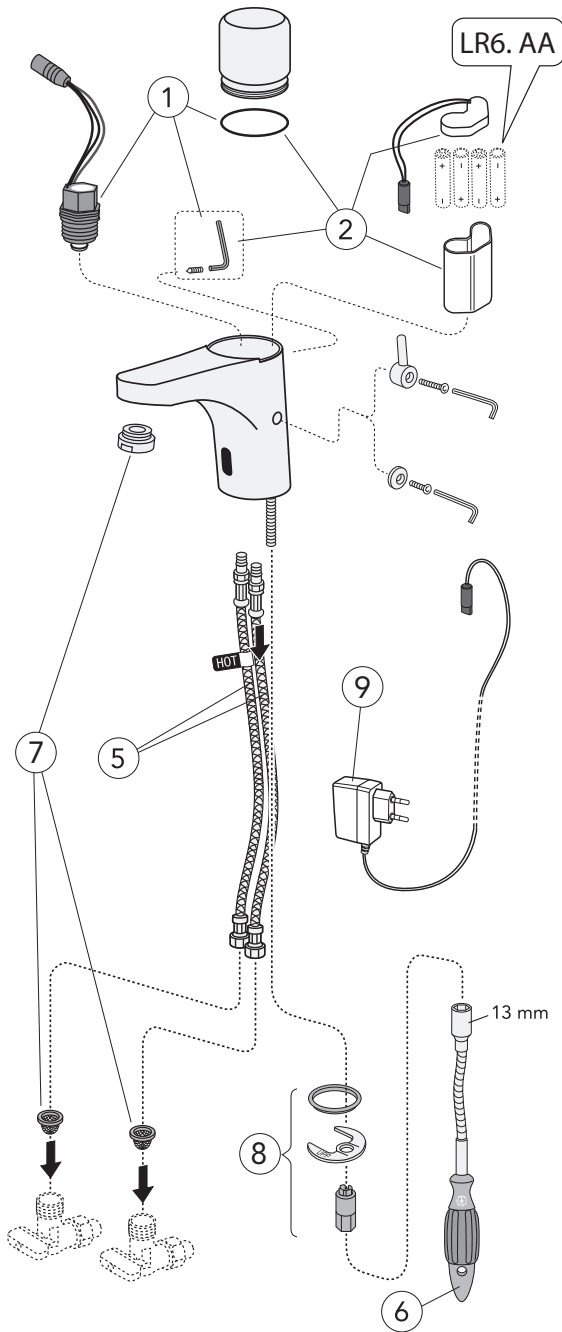
DETALJENUMMER OG PRODUKT	NRF. NR.	ART. NR.	VEIL. PRIS EKS. MVA.	VEIL. PRIS INKL. MVA.
1 Ettgrepsspak Nautic	4343366	GB41637250	227	284
2 Ettgrepsspak HC Nautic	4342627	GB41637360 01	327	409
3 Ettgrepsspak HC Nautic (Rød/blå merking)		GB41637363 01	340	425
4 Dekkplugg rød/blå merking	4342661	GB41634828 01	104	130
5 Servicpatron m/verktøy Nautic/Logic	4343367	GB41637267 01	403	504
6 Låsering M45x1,5	4342753	GB41637261 01	115	144
7 Låsering kjøkken med lav utløpstut	4342752	GB41638202	114	143
9 Strålesamler M24x1	4343241	GB41630131 01	84	105
10 Strålesamler M18x1 m/kuleledd f/bidetbatteri	4342713	GB41637270 01	62	78
11 Monteringspose (servant-bidébatteri), -september 2011	4343319	GB41637280 01	66	83
12 Monteringsdetaljer (servant-bidébatteri), september 2011-	4342751	GB41637282 01	60	75
13 Monteringsdetaljer (kjøkkenbatteri) u/avst.	4340713	GB41634157 01	60	75
14 SoftPex slange (M10x1-ø10) lengde 440 mm	4342633	GB41637161 02	168	210
15 SoftPex slange(M10x1-G1/2), lengde 300 mm	4342769	GB41638224 01	118	148
16 SoftPex slange (M10x1-G1/2), lengde 440 mm	4342768	GB41638220 01	118	148
17 SoftPex slange (M8x1-ø10), lengde 400 mm	4342771	GB41638199 01	118	148
SoftPex slange (ny)(svivel)(2015-)		GB41638721 02	168	210
18 Kobling 10xG1/2	5080093	FG032033520	19	24
19 Dusjslange G1/2xG1/2	4343804	GB41636263 00	93	116
20 Selvstengende hånddusj	4343121	GB41633860 33	515	644
21 Hånddusjfeste	4340714	GB41637575	94	118
23 Forhøyingsdel 50 mm	4340715	GB41632834	715	894
24 X-ringer for utløpstut	4343213	GB41633971 02	49	61
25 Tilkoppl.vinkel f/oppv.m. o/benk	4343189	GB41635790 01	499	624
26 Avstengningskran kompl.f/benkebatteri, krom	4343188	GB41635762 3301	168	210
27 Oppløftsventil	4342638	GB41637450	491	614
28 Propp med o-ring -2007 05 (ø40 mm)	4343344	GB41632625 01	68	85
29 Propp m/oppløftsventil 2007 05- (ø38 mm)	4342651	GB41637453	114	143
30 Løftestang	4343055	GB41630305	100	125
31 Silventil	4342653	GB41637445	451	564
32 Propp til silpluggventil -2007 11	4340716	GB41632633 01	68	85
33 Propp til silpluggventil(ø43,5 mm) -2008 11 -2010 05		GB41637446	68	85
34 Propp til silpluggventil 2010 05-2011 01	4340718	GB41638453 01	68	85
35 Push-down ventil	4343054	GB41636575 01	352	440
36 Detaljer for slagbegrensningstut	4342754	GB41633972	48	60
37 Monteringsverktøy 13/6k	4343341	GB43000014 10	162	203
Monteringsverktøysett	4343369	GB43000021 01	366	458





**Logic servantkran**

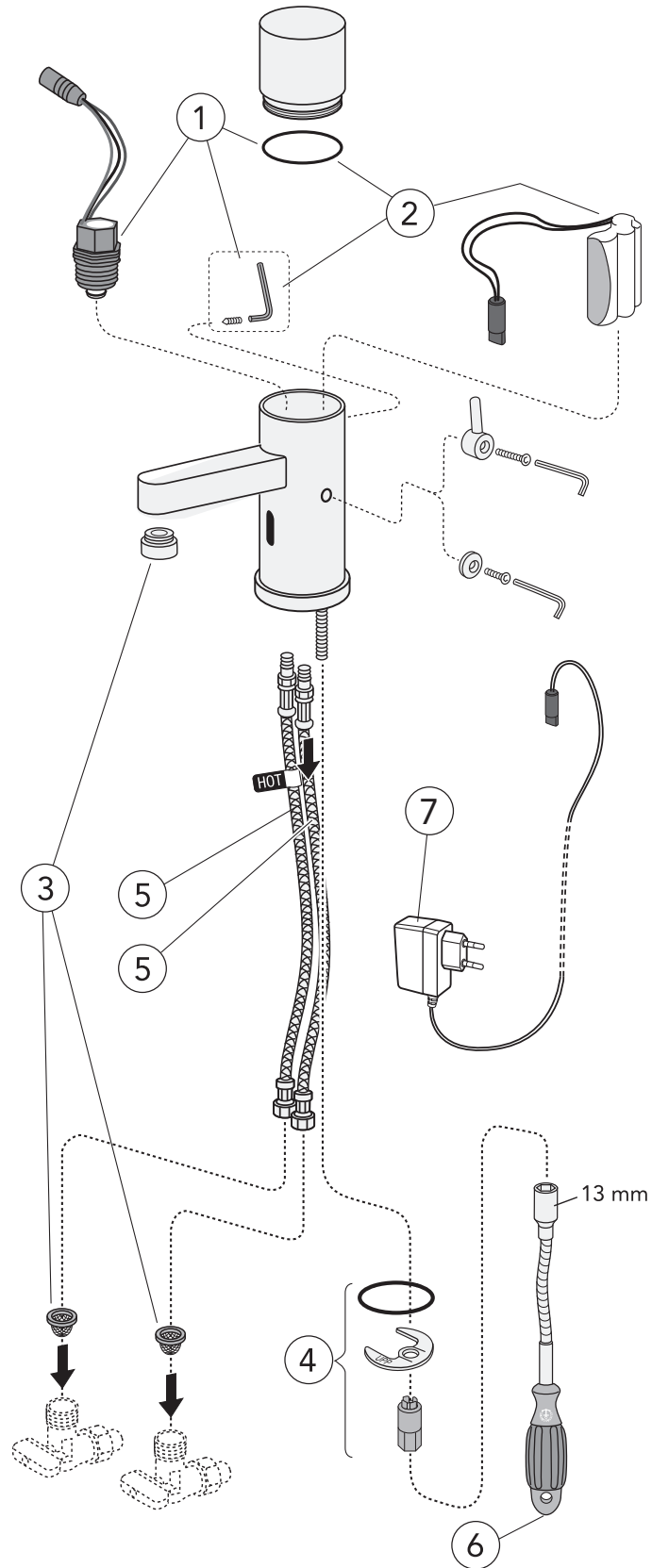
DETALJENUMMER OG PRODUKT	NRF. NR.	ART. NR.	VEIL. PRIS EKS. MVA.	VEIL. PRIS INKL. MVA.
1 Ettgrepsspak Logic	4342766	GB41638514 01	242	303
2 Dekkplugg	4342661	GB41634828 01	104	130
3 Servicepatron m/verktøy for Nautic/Logic	4343367	GB41637267 01	403	504
4 Låsering M45x1,5	4342753	GB41637261 01	115	144
5 Strålesamler, med perlator M18,5x1-B	4342767	GB41638549 01	84	105
6 Avstengningskran komplett for kjøkkenbatteri	4343188	GB41635762 3301	168	210
7 SoftPex slange (M10x1-ø10)	4342633	GB41637161 02	168	210
8 SoftPex slange ( M10x1-G1/2)	4342768	GB41638220 01	118	148
9 SoftPex slange ( M10x1-G1/2)	4342769	GB41638224 01	118	148
10 SoftPex slange ( M8x1-ø10)	4342771	GB41638199 01	118	148
11 Kobling	50800093	FG032033520	19	24
12 Dusjslange	4343804	GB41636263 00	93	116
13 Selvstengende hånddusj	4343121	GB41633860 33	515	644
14 Hånddusjefeste	4340714	GB41637575	94	118
15 Monteringsdetaljer	4342772	GB41636457 01	60	75
16 Monteringsverktøy 13/6k	4343341	GB43000014 10	162	203
Monteringsverktøysett	4343369	GB43000021 01	366	458





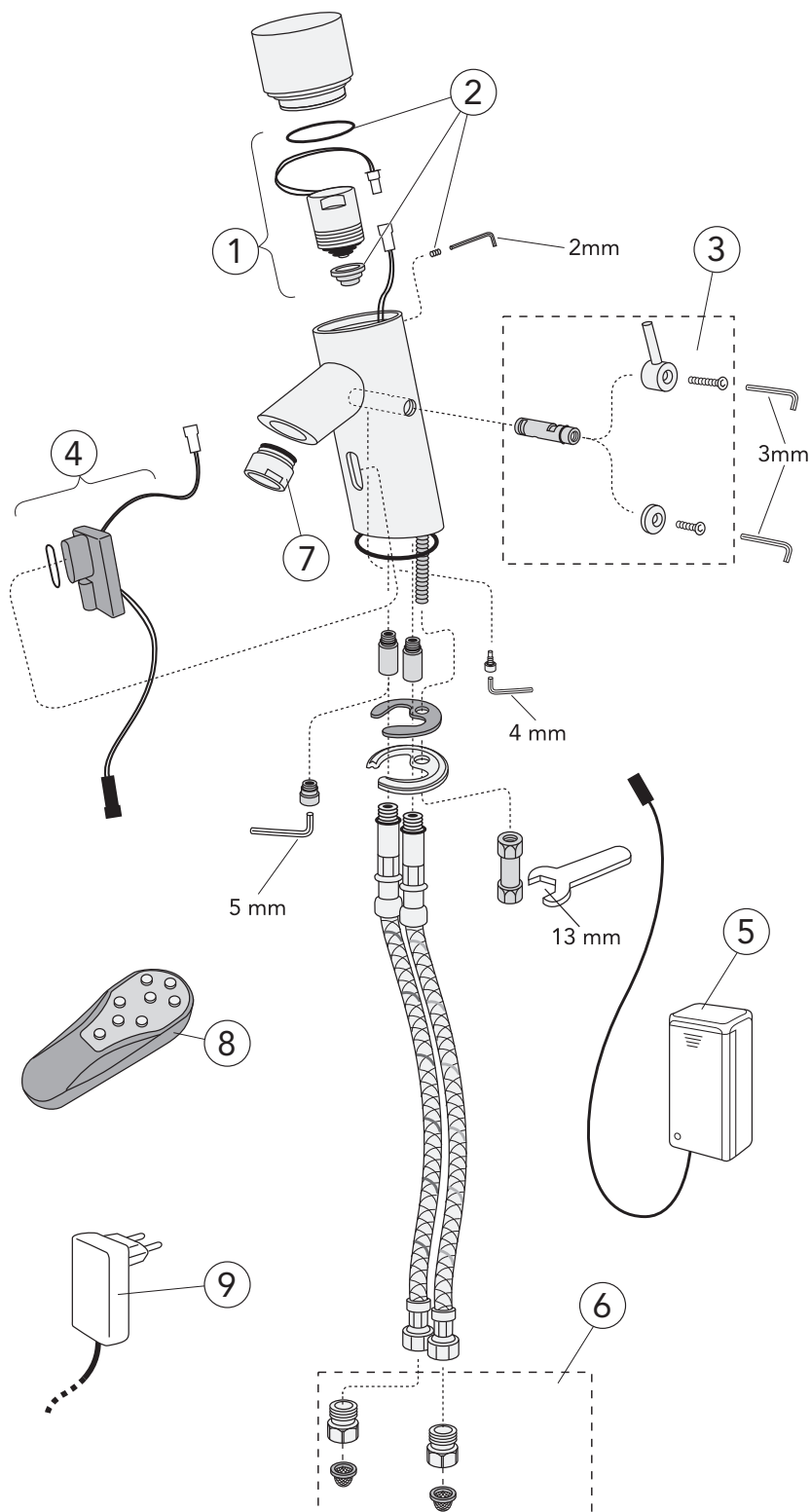
## Nautic/Logic servantkran, elektronisk

DETALJENUMMER OG PRODUKT	NRF. NR.	ART. NR.	VEIL. PRIS EKS. MVA.	VEIL. PRIS INKL. MVA.
1 Magnetventil		GB41638557 01	908	1.135
2 Batteri	4342773	GB41638560 01	318	398
3 Filter, perlator Logic		GB41638544 01	84	105
4 Monteringssats	4342772	GB41636457 01	60	75
5 SoftPex slange (M10x1-G3/8)	4342775	GB41636629 01	97	121
6 Monteringsverktøy	4343341	GB43000014 10	162	203
7 Filter, perlator Nautic		GB41638739 01	84	105
8 Monteringssats Nautic	4342751	GB41637282 01	60	75
9 Transformator		GB41638561	219	274
Monteringsverktøysett	4343369	GB43000021 01	366	458



**Nordic<sup>3</sup> servantkran, elektronisk**

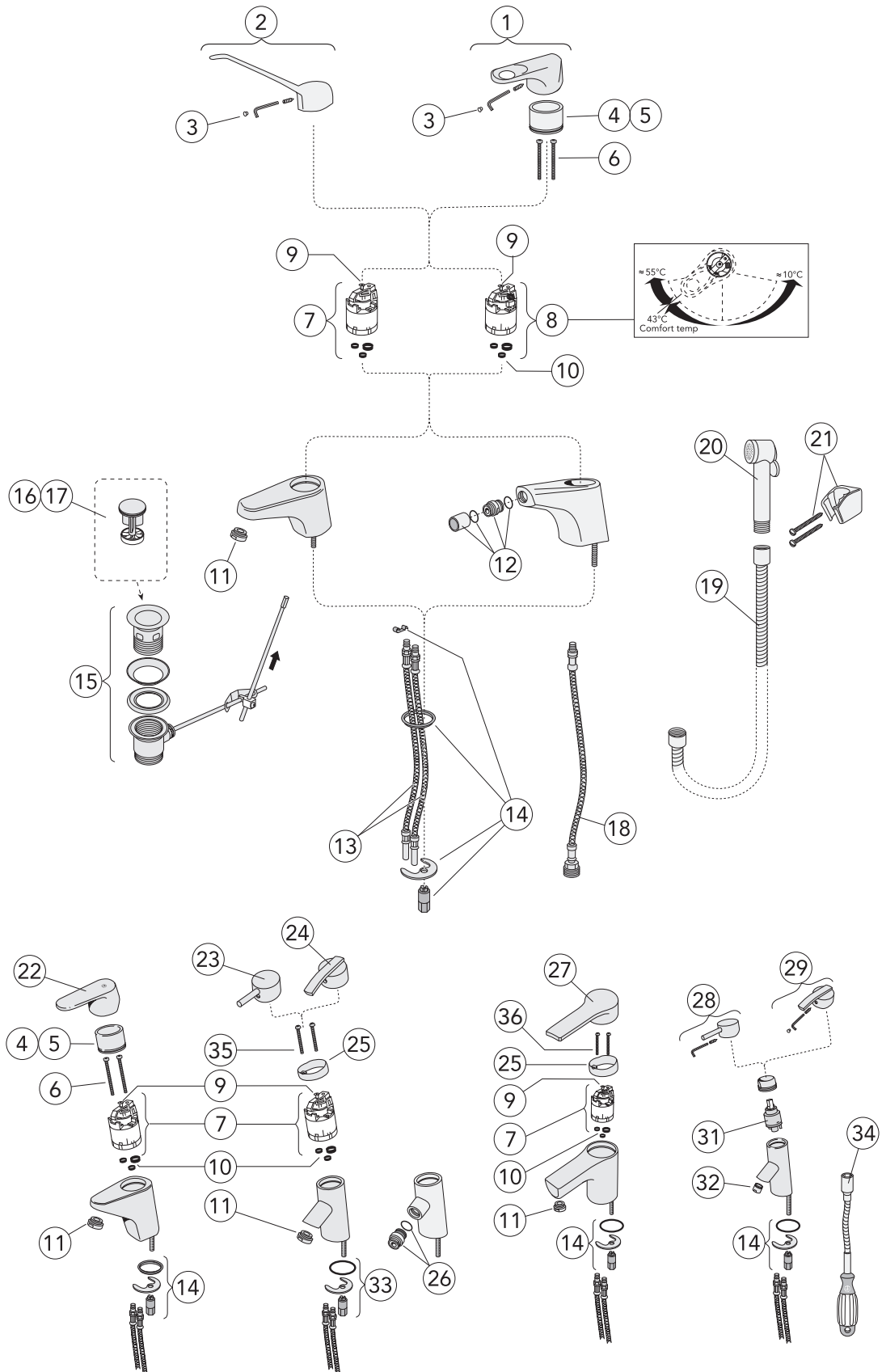
DETALJENUMMER OG PRODUKT	NRF. NR.	ART. NR.	VEIL. PRIS EKS. MVA.	VEIL. PRIS INKL. MVA.
1 Magnetventil		GB41638557 01	908	1.135
2 Batteripakke	4342773	GB41638560 01	318	398
3 Filter, strålesamler		GB41639125 01	84	105
4 Monteringssats	4342772	GB41636457 01	60	75
5 SoftPex slange (M10x1-G3/8)	4342775	GB41636629 01	97	121
6 Monteringsverktøy 13/6k	4343341	GB43000014 10	162	203
7 Transformator, 6 Volt		GB41638561	219	274



## Scandic servantkran, elektronisk

DETALJENUMMER OG PRODUKT	NRF. NR.	ART. NR.	VEIL. PRIS EKS. MVA.	VEIL. PRIS INKL. MVA.
1 Magnetventil		GB41637245	908	1.135
2 O-ring og membran, UTGÅENDE		GB41637237 01	97	121
3 Detaljer for temperaturjustering		GB41637238 01	113	141
4 Sensor		GB41637239 01	127	159
5 Batteriskuff		GB41637240 01	318	398
6 Tilkoplingsnippel		GB41637241 01	60	75
7 Strålsamler Perlator M24x1	4343241	GB41630131 01	84	105
8 Fjernkontroll, Skandic elektronisk, UTGÅENDE		GB41637242	1.058	1.323
9 Transformator 9 Volt Skandic electronic		GB41637244	217	271



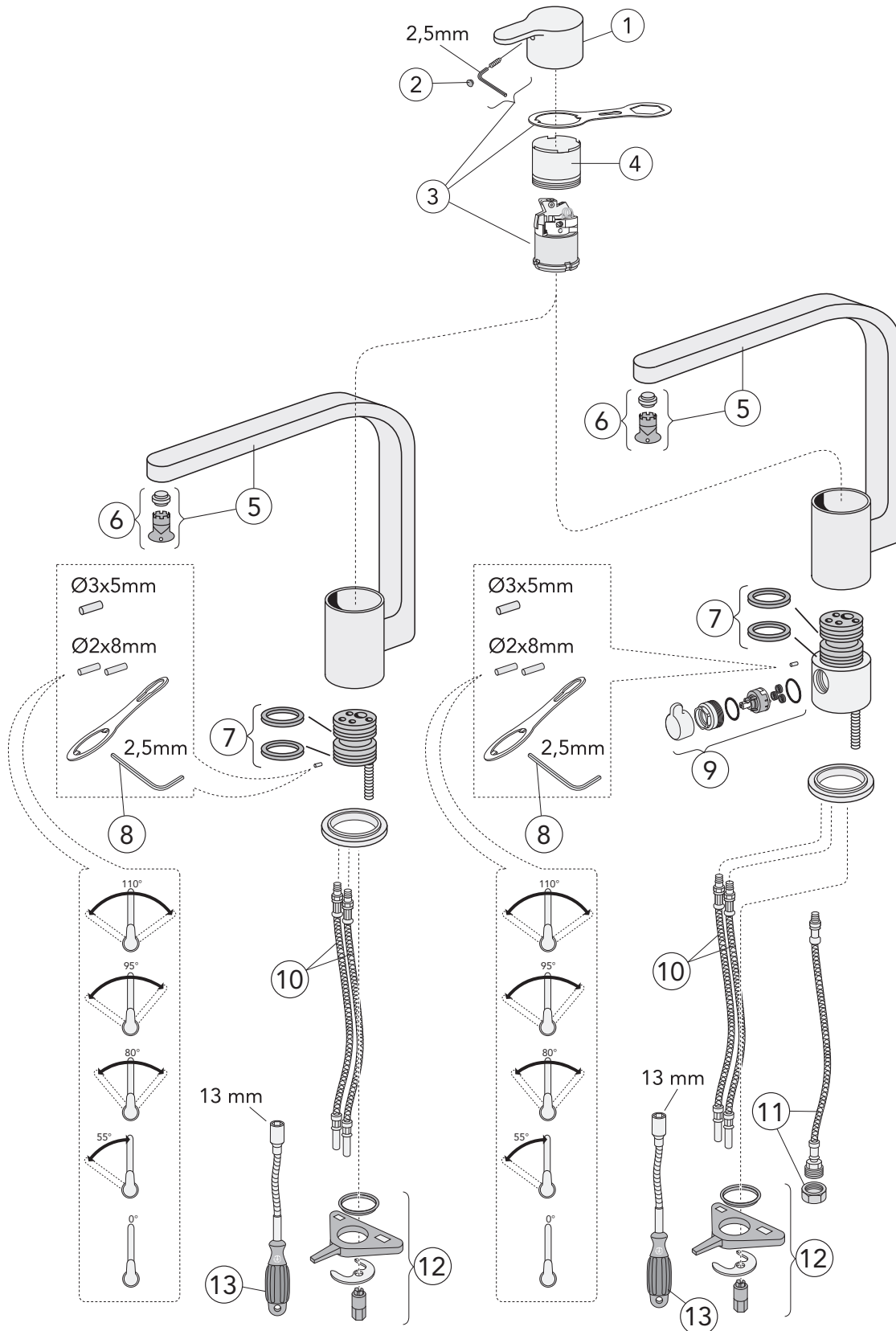


RESERVEDELER



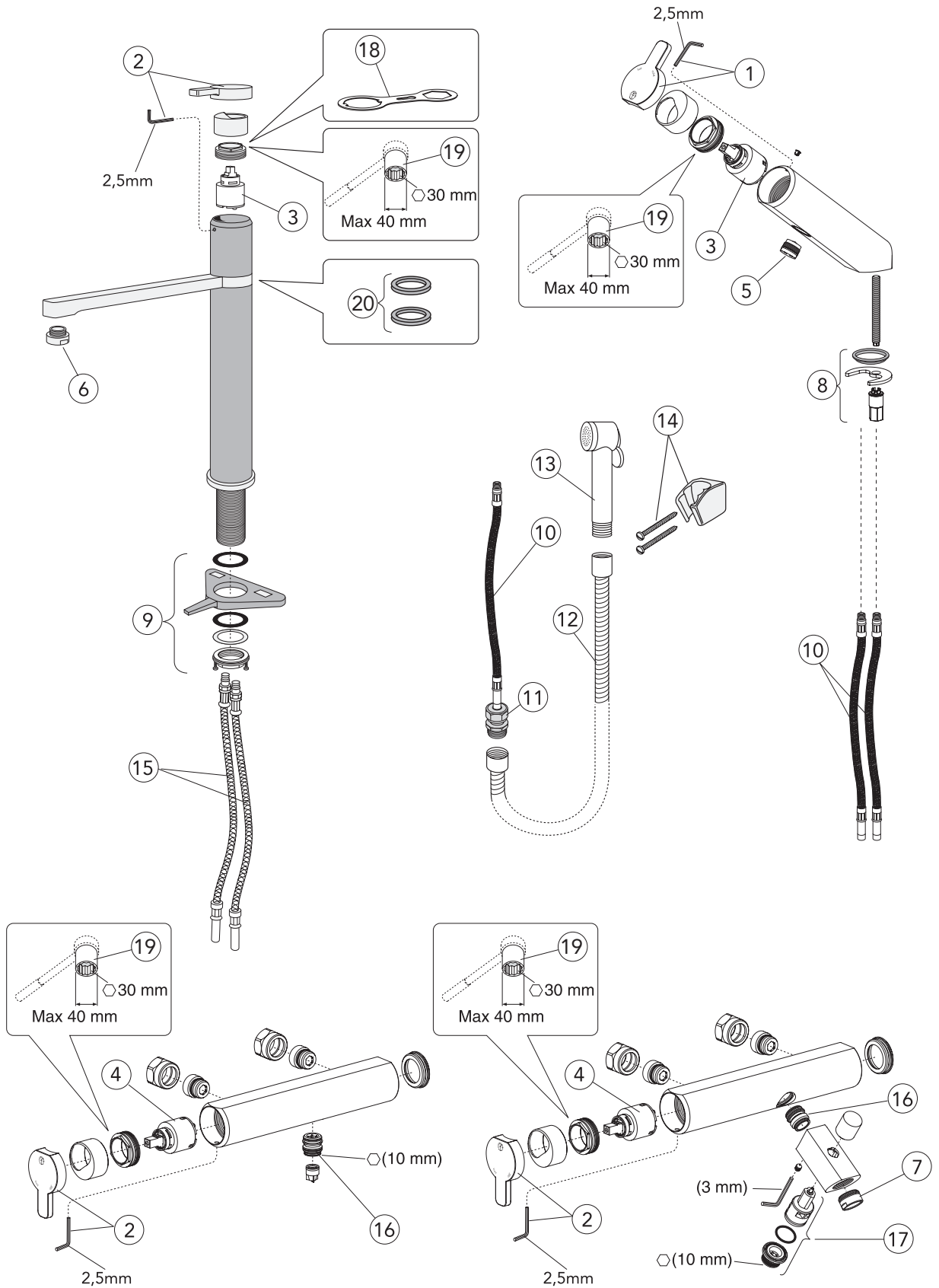
## Nordic, Skandic, ND40, Centic servant- og bidekran

DETALJENUMMER OG PRODUKT	NRF. NR.	ART. NR.	VEIL. PRIS EKS. MVA.	VEIL. PRIS INKL. MVA.
1 Ettgrepsspak Nordic	4343347	GB41636617 01	168	210
2 HC Ettgrepsspak Nordic	4342991	GB41635430 01	327	409
3 Dekkplugg, rød/blå merking	4342661	GB41634828 01	104	130
4 Kåpe gjenget	4343166	GB41634470 01	115	144
5 Kåpe med O-ring	4343126	GB41636326 01	118	148
6 Festeskruer for servicepatron M5x63	4343217	GB41636302 02	127	159
7 Servicepatron inkl. topplokk 634955-01, Universal	4343196	GB41633877 01	478	598
8 Servicepatron Nordic TT-funksjon	4343059	GB41635678 8701	468	585
9 Spakfeste TP 6-19		GB41636319	48	60
10 Gummipakning for servicepatron, komplett	4343211	GB41633513 01	61	76
11 Strålesamlere M24x1	4343241	GB41630131 01	84	105
12 Perlator f/bidetbatteri	4342713	GB41637270 01	62	78
13 SoftPex slange (M10x1-ø10), 440 mm	4342633	GB41637161 02	168	210
14 Monteringsdetaljer	4343319	GB41637280 01	66	83
15 Oppløftsventil u/løftestang, krom	4342638	GB41637450	491	614
16 Propp m/O-ring -2007 05	4343344	GB41632625 01	68	85
17 Propp m/oppløftsventil 2007 0-	4342651	GB41637453	114	143
18 SoftPex slang (M10x1-G1/2), 300 mm	4342769	GB41638224 01	118	148
19 Dusjslange G1/2xG1/2	4343804	GB41636263 00	93	116
20 Selvstengende hånddusj	4343121	GB41633860 33	515	644
21 Handdusjefeste	4340714	GB41637575	94	118
22 Ettgrepsspak ND40	4343127	GB41636337 01	188	235
23 Ettgrepsspak Pin Skandic 03	4346742	GB41636448 01	693	866
24 Ettgrepsspak Leg Skandic 03	4346741	GB41636447 01	693	866
25 Kåpe	4342669	GB41635680 01	325	406
26 Strålesamlre/kullet M24x1	4343337	GB41632863 01	63	79
28 Ettgrepsspak Pin mini Skandic 03	4346745	GB41636920 01	622	778
29 Ettgrepsspak Leg mini Skandic 03	4346746	GB41636921 01	622	778
31 Servicepatron 35	4343358	GB41636654 01	515	644
32 Strålsamler/perlator M18x1	4343359	GB41636912 01	66	83
33 Monteringsdetaljer	4342772	GB41636457 01	60	75
34 Monteringsverktøy13/6 kant. Monteringsverktøysett	4343341 4343369	GB43000014 10 GB43000021 01	162 366	203 458
35 Festeskruer M5x42 for Skandic 03		GB41636606 02	50	63
36 Festeskruer M4x56 for Centic		GB41635671 02	50	63
Kjedefeste	4343068	GB41634119	44	55



**Nordic<sup>3</sup> kjøkkenbatteri**

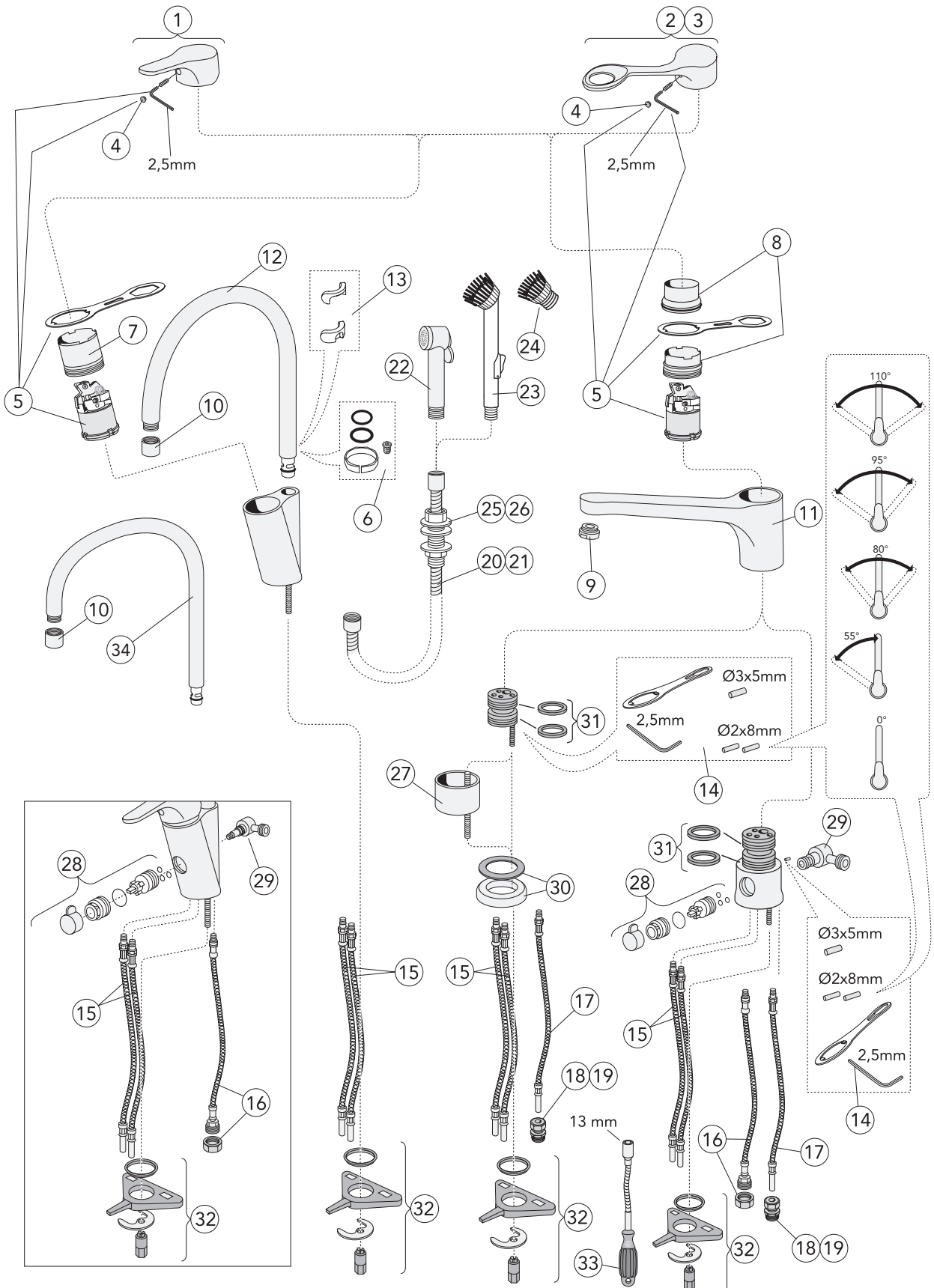
DETALJENUMMER OG PRODUKT	NRF. NR.	ART. NR.	VEIL. PRIS EKS. MVA.	VEIL. PRIS INKL. MVA.
1 Ettgreppspak Nordic <sup>3</sup>		GB41639062 01	227	284
2 Dekkplugg rød/blå merking	4342661	GB41634828 01	104	130
3 Servicepatron	4343367	GB41637267 01	403	504
4 Låsering M45x1,5	4342753	GB41637261 01	115	144
5 Utløpstut		GB41639066 01	1.140	1.425
6 Strålesamler, Caché-HC-TJ-maie M18,5x1-B	4342767	GB41638549 01	84	105
7 X-ringer	4343213	GB41633971 02	49	61
8 Detaljer for slagbegrensning - utløpstut	4342754	GB41633972	48	60
9 Avstengningskran komplett 1998 08-	4343188	GB41635762 3301	168	210
10 SoftPex slanger (M10x1-ø10)	4342633	GB41637161 02	168	210
11 SoftPex slange (M10x1-G1/2)	4342768	GB41638220 01	118	148
12 Monteringsdetaljer (kjøkkenbatteri)	4340713	GB41634157 01	60	75
13 Monteringsverktøy 13/6kant.	4343341	GB43000014 10	162	203





## Coloric servant-, kjøkken-, dusj- og badekar batterier

DETALJENUMMER OG PRODUKT	NRF. NR.	ART. NR.	VEIL. PRIS EKS. MVA.	VEIL. PRIS INKL. MVA.
1 Ettgrepspak servantbatterier Coloric	4342721	GB41637406	453	566
2 Ettgrepspak Kjøkken/kar/dusjblatt, Coloric	4342722	GB41637407	404	505
3 Servicepatron servant/kjøkkenbatt, Coloric	4342724	GB41637415	157	196
4 Servicepatron kar/dusjbatterier Coloric	4342719	GB41637393	176	220
5 Strålesamlere M18,5x1	4342926	GB41637418	205	256
6 Strålesamlere M24x1 "A"	4343241	GB41630131 01	84	105
7 Strålesamlere M24x1 "D"	4342717	GB41637387 01	287	359
8 Monteringsdetaljer servantbatterier	4343319	GB41637280 01	66	83
9 Monteringsdetaljer kjøkkenbatterier	4342714	GB41638358 01	60	75
10 SoftPex slange	4342718	GB41637389 02	188	235
11 Kobling 10xG1/2	5080123	FG032033520	19	24
12 Dusjslange G1/2xG1/2	4343804	GB41636263 00	93	116
13 Selvstengende hånddusj	4343121	GB41633860 33	515	644
14 Hånddusj feste	4340714	GB41637575	94	118
15 SoftPex slange	4342715	GB41638361 02	188	235
16 Tilkoblingsnippel utløp	4342723	GB41637410	121	151
17 Draomkastare	4342725	GB41637416	313	391
Monteringsverktøy 13/6k	4343341	GB43000014 10	162	203
Monteringsverktøysett	4343369	GB43000021 01	366	458
18 Verktøy Nautic		GB41637260	127	159
19 Hylse NV		GB41638429 01	167	209
20 X-ringer	4343213	GB41633971 02	49	61

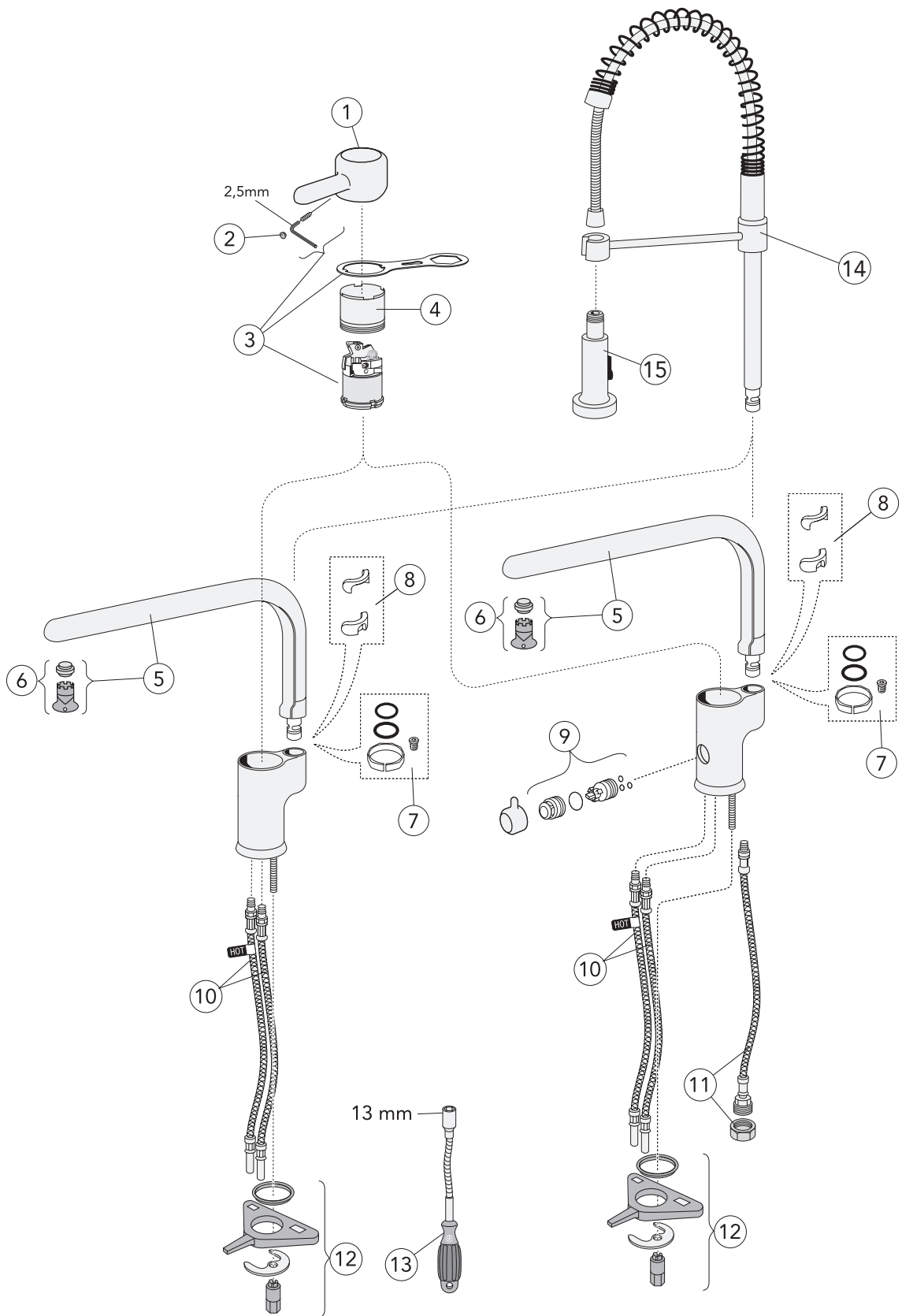




## Nautic kjøkkenbatterier

DETALJENUMMER OG PRODUKT	NRF. NR.	ART. NR.	VEIL. PRIS EKS. MVA.	VEIL. PRIS INKL. MVA.
1 Ettgrepspak Nautic	4343366	GB41637250	227	284
2 Ettgrepspak HC Nautic	4342627	GB41637360 01	327	409
3 Ettgreps HC spak Nautic (rød/blå merking)	4342735	GB41637363 01	340	425
4 Dekkplugg rød/blå merking	4342661	GB41634828 01	104	130
5 Servicepatron Nautic	4343367	GB41637267 01	403	504
6 O-ringsats	4342659	GB41637010 01	106	133
7 Låsering M45x1,5	4342753	GB41637261 01	115	144
8 Låsering kj.batt med lav utløpstut	4342752	GB41638202	114	143
9 Strålsamlere M24x1	4343241	GB41630131 01	84	105
10 Strålsamlere M22x1	4343242	GB41630129 01	84	105
11 Utløpstut		GB41638196	1.140	1.425
12 Utløpstut Nautic/Nordic -2007 04	4342776	GB41637326 0	794	993
13 Slagbegrensningssats - utløpstut	4342716	GB41638450	91	114
14 Detaljer for slagbegrensning	4342754	GB41633972	48	60
15 SoftPex slange (M10x1-ø10)	4342633	GB41637161 02	168	210
16 SoftPex slange (M10x1-G1/2), lengde 440 mm	4342768	GB41638220 01	118	148
17 SoftPex slange (M8x1-ø10), lengde 400 mm	4342771	GB41638199 01	118	148
18 Kobling 10xG1/2, -201005	5080093	FG032033520	19	24
19 Kobling 10xG3/8, 201005-	5080086	FG032033420	15	19
20 Dusjslange G1/2xG1/2, -2010 05	4343804	GB41636263 00	93	116
21 Dusjslange G1/2xG3/8, 2010 05-	4342731	GB41638375 01	131	164
22 Selvstengende hånddusj	4343121	GB41633860 33	515	644
23 Selvstengende oppvaskbørste	4343209	GB41633861 25	603	754
24 Oppvaskbørste	4343177	GB41633858	243	304
26 Gjennomføringshylse krom (for slange med G1/2xG3/8 ansl) 2010 05-	4342732	GB41638374 01	166	208
27 Forhøyningsdel 50mm	4340715	GB41632834	715	894
28 Avstengningskran komplett 1998 08-	4343188	GB41635762 3301	168	210
29 Tilkoblingsvinkel til benkoppvaskmaskin	4343189	GB41635790 01	499	624
30 Sokkel for benkebatteri	4343218	GB41632952	54	68
31 X-ring for utløpstut	4343213	GB41633971 02	49	61
32 Monteringsdetaljer (kjøkkenbatterier)	4340713	GB41634157	60	75
33 Monteringsverktøy 13/6kant.	4343341	GB43000014 10	162	203
Monteringsverktøysett	4343369	GB43000021 01	366	458
34 Utløpstut Nautic		GB41638474 01	364	455

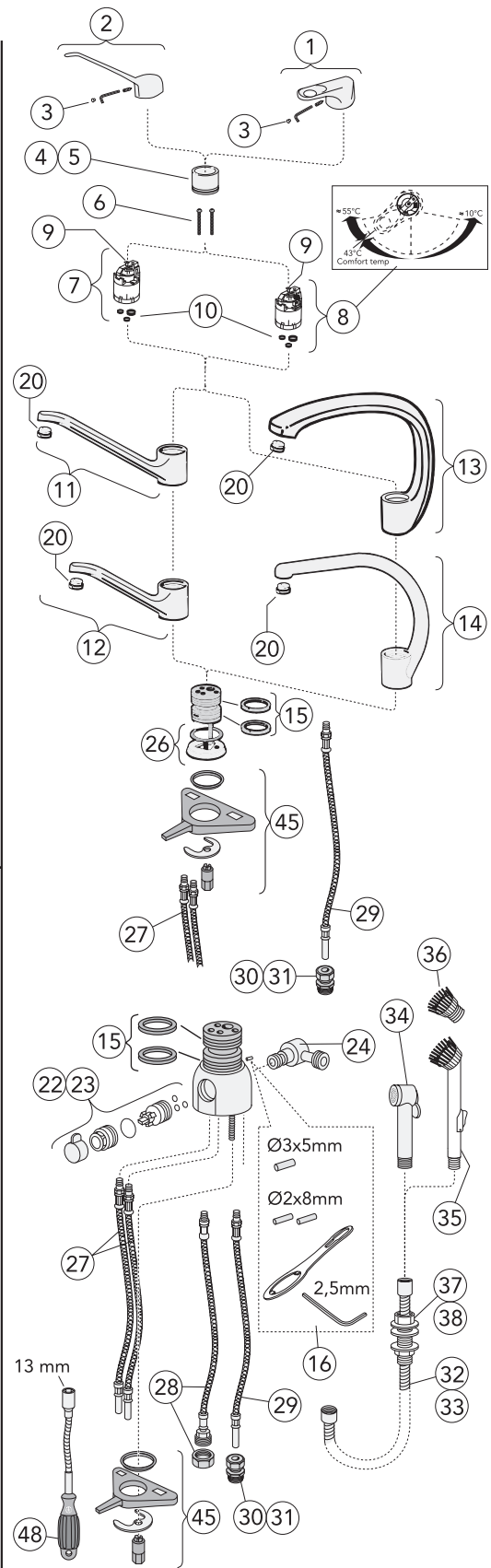
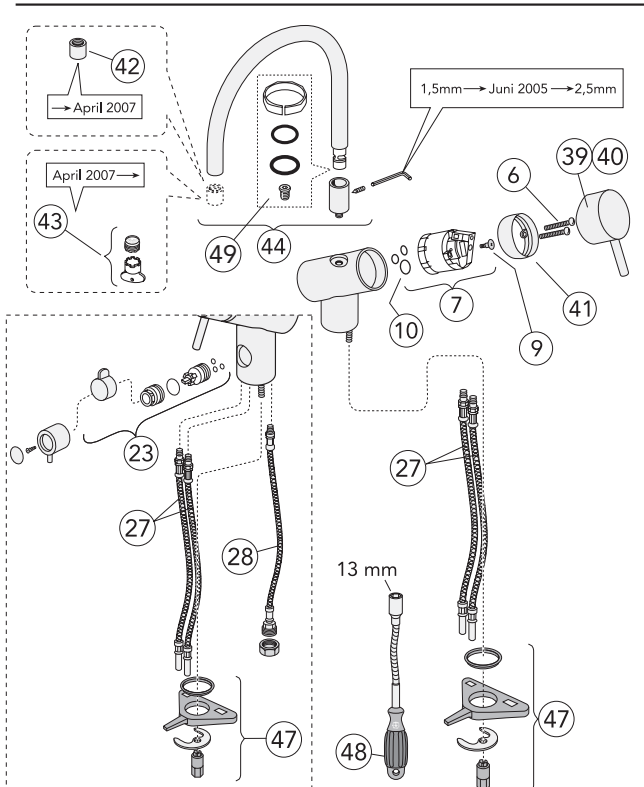
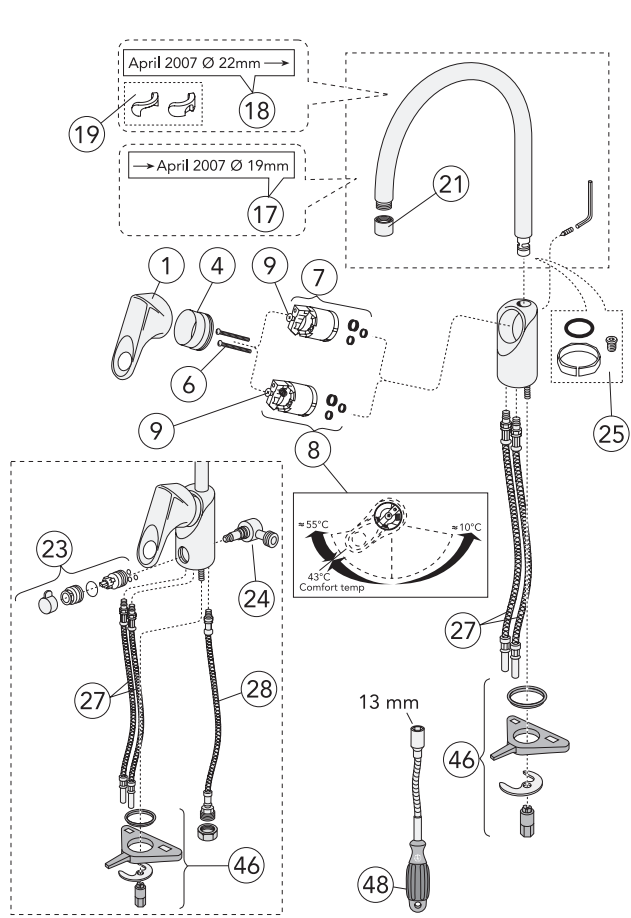




RESERVEDELER

## Logic kjøkkenkran

DETALJENUMMER OG PRODUKT	NRF. NR.	ART. NR.	VEIL. PRIS EKS. MVA.	VEIL. PRIS INKL. MVA.
1 Ettgrepsspak Logic	4342766	GB41638514 01	242	303
2 Dekkplugg	4342661	GB41634828 01	104	130
3 Servicepatron med verktøy for Logic og Nautic	4343367	GB41637267 01	403	504
4 Kåpe	4342753	GB41637261 01	115	144
5 Utløpstut		GB41638509 01	806	1.008
6 Strålesamler, M18, 5 x 1-B m/verktøy	4342767	GB41638549 01	84	105
7 O-ringsett	4342659	GB41637010 01	106	133
8 Sperrestift for svingradius	4342716	GB41638450	91	114
9 Avstengningskran komplett f/kjøkkenbatteri	4343188	GB41635762 3301	168	210
10 SoftPex slange (M10x1-ø10)	4342633	GB41637161 02	168	210
11 SoftPex slange (M10x1-G1/2)	4342768	GB41638220 01	118	148
12 Monteringsdetaljer	4340713	GB41634157 01	60	75
13 Monteringsverktøy	4343341	GB43000014 10	162	203
Monteringsverktøysett	4343369	GB43000021 01	366	458
14 Utløpstut (fjær, slange og innfestning)		GB41638753 01	1.830	2.288
15 Dusjhåndtak		GB41638754 01	681	851





## Nordic, Skandic, ND40 kjøkkenkraner

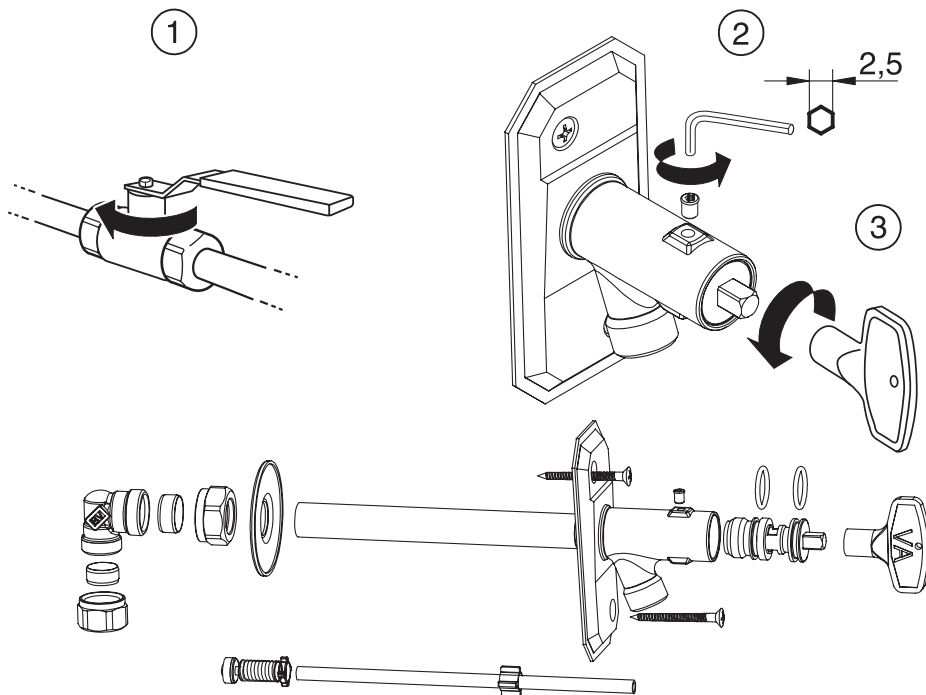
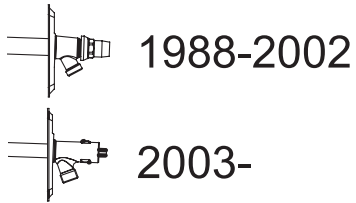
DETALJENUMMER OG PRODUKT	NRF. NR.	ART. NR.	VEIL. PRIS EKS. MVA.	VEIL. PRIS INKL. MVA.
1 Ettgrepsspak Nordic	4343347	GB41636617 01	168	210
2 Ettgrepsspak RH Nordic	4342991	GB41635430 01	327	409
3 Dekkplugg, rød/blå merking	4342661	GB41634828 01	104	130
4 Kåpe gjenget	4343166	GB41634470 01	115	144
5 Kåpe med O-ring	4343126	GB41636326 01	118	148
6 Festeskruer for servicepatron M5x40	4343216	GB41632731 02	48	60
7 Servicepatron inkl. topplokk 634955-01, Universal	4343196	GB41633877 01	478	598
8 Servicepatron Nordic TT-funksjon	4343059	GB41635678 8701	468	585
9 Spakfeste TP 6-19		GB41636319	48	60
10 Gummipakning for servicepatron, komplett	4343211	GB41633513 01	61	76
11 Utløpstut 240	4343353	GB41636246 01	1.082	1.353
12 Utløpstut 150	4342895	GB41633651	1.367	1.709
13 Utløpstut 200 , høy støpt tut	4343125	GB41634834	1.059	1.324
14 Utløpstut 200, ekstra høy svingbar tut f/benkebatteri	4342911	GB41634610	1.118	1.398
15 X-ringer	4343213	GB41633971 02	49	61
16 Slagbegrensningssats	4342754	GB41633972	48	60
18 Utløpstut 200 "ø22" 2007 04-	4342776	GB41637326 0	794	993
19 Slagbegrensningssats	4342716	GB41638450	91	114
20 Strålesamlere M24x1	4343241	GB41630131 01	84	105
21 Strålesamlere M22x1	4343242	GB41630129 01	84	105
22 Avstengningskran kompl.f/benkebatteri - før aug. 98 -1998	4343325	GB41634140 3301	113	141
23 Avstengningskran kompl.f/benkebatteri, krom 1998-	4343188	GB41635762 3301	168	210
24 Vridbar tilkbl.vinkel f/oppvaskmaskin på benk 1998 08-	4343189	GB41635790 01	499	624
25 O-ringsett f/utløpstut NordicPlus fra 2005	4342659	GB41637010 01	106	133
26 Distansering, o-ring samt glidring	4343218	GB41632952 01	54	68
27 SoftPex slange, 2 stk. L=400 mm, (M10x1-ø10)	4342633	GB41637161 02	168	210
28 SoftPex slange (M10x1-G1/2), lengde 440 mm	4342768	GB41638220 01	118	148
29 SoftPex slange (M8x1-ø10), lengde 400 mm	4342771	GB41638199 01	118	148
30 Kopling 10xG1/2, -201005	5080093	FG032033520	19	24
31 Kopling 10xG3/8, 201005-	5080086	FG032033420	15	19
32 Dusjslange G1/2xG1/2, -2010 05	4343804	GB41636263 00	93	116
33 Dusjslange G1/2xG3/8, 2010 05-	4342731	GB41638375 01	131	164
34 Selvtstengende hånddusj	4343121	GB41633860 33	515	644
35 Selvtstengende oppvaskbørste	4343209	GB41633861 25	603	754
36 Oppvaskbørste	4343177	GB41633858	243	304
38 Gjennomføringshylse krom (for slange med G1/2xG3/8 ansl) 2010 05-	4342732	GB41638374 01	166	208
39 Ettgrepsspak Pin Skandic 03	4346742	GB41636448 01	693	866
40 Ettgrepsspak Leg Skandic 03	4346741	GB41636447 01	693	866
41 Kåpe	4342669	GB41635680 01	325	406
42 Strålesamlere -2007 05	4342675	GB41636437 01	340	425
43 Strålesamlere 2007 05-	4342676	GB41637337 01	340	425
44 Utløpstut		GB41636441 01	754	943
45 Monteringsdetaljer	4340713	GB41634157 01	60	75
46 Monteringsdetaljer		GB41637011 01	60	75
47 Monteringsdetaljer	4343175	GB41636440 01	60	75
48 Monteringsverktøy 13/6kant.	4343341	GB43000014 10	162	203
Monteringsverktøysett	4343369	GB43000021 01	366	458
Hånddusj for Skandic Island	4342677	GB41637173	447	559

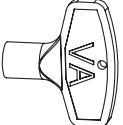
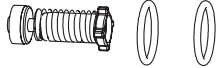
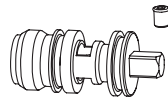
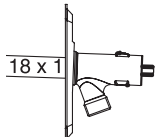

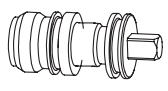
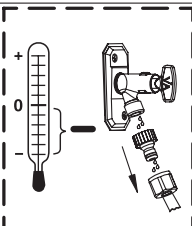
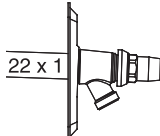
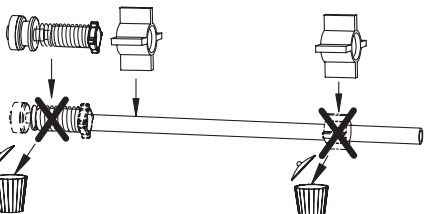
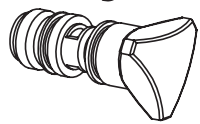




## Oversikt ettgrepsspaker, dekkbrikker og servicepatroner

DETALJENUMMER OG PRODUKT	NRF. NR.	ART. NR.	VEIL. PRIS EKS. MVA.	VEIL. PRIS INKL. MVA.
1 Ettgrepsspak Logic	4342766	GB41638514 01	242	303
2 Ettgrepsspak Nautic	4343366	GB41637250	227	284
3 Ettgrepsspak HC Nautic	4342627	GB41637360 01	327	409
4 Ettgrepsspak HC Nautic (rød/blå merking)	4342735	GB41637363 01	340	425
5 Ettgrepsspak, servantbatteri Coloric	4342721	GB41637406	453	566
6 Ettgrepsspak Coloric kjøkken/dusj/badekar	4342722	GB41637407	404	505
7 Ettgrepsspak Nordic	4343347	GB41636617 01	168	210
8 Ettgrepsspak Leg Skandic 03	4342672	GB41636447 01	693	866
9 Ettgrepsspak Pin Skandic 03	4342673	GB41636448 01	693	866
10 Ettgrepsspak Leg mini Skandic 03	4342682	GB41636921 01	622	778
11 Ettgrepsspak Pin mini Skandic 03	4342683	GB41636920 01	622	778
12 Ettgrepsspak ND40	4343127	GB41636337 01	188	235
15 Ettgrepsspak Arctic	4343142	GB41634621 01	214	268
17 Ettgrepsspak HC Nordic	4342991	GB41635430 01	327	409
18 Ettgrepsspak HC 125 Nordic	4343014	GB41634628 6101	415	519
19 Ettgrepsspak HC 180 Nordic	4343015	GB41634628 6201	415	519
20 Dekkplugg for undermontert ettgrepsspak	4342661	GB41634828 01	104	130
21 Dekkplugg Nordic Plus	4343348	GB41635617 01	44	55
22 Topplokk (2 ben)	4343144	GB41634680 01	106	133
23 Topplokk (3 ben)		GB41634955 01	106	133
24 Topplokk Nordic oktober 1996-	4343154	GB41635410 01	52	65
25 Servicepatron m/verktøy f/Logic og Nautic	4343367	GB41637267 01	403	504
26 Servicepatron servant-/kjøkken Coloric	4342724	GB41637415	157	196
27 Servicepatron dusj/badekar Coloric	4342719	GB41637393	176	220
28 Servicepatron Nordic, 1982-	4343196	GB41633877 01	478	598
29 Servicepatron Nordic TT	4343059	GB41635678 8701	468	585
30 Servicepatron Nordic, m/ demper, April 1992-	4343161	GB41634650 01	422	528
32 Servicepatron komplett Nordic TT	4343051	GB41636395 01	658	823
33 Servicepatron Skandic 03 mini	4343358	GB41636654 01	515	644



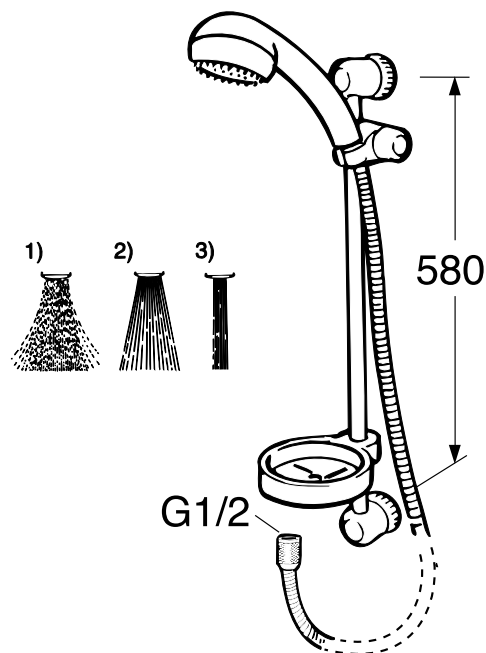
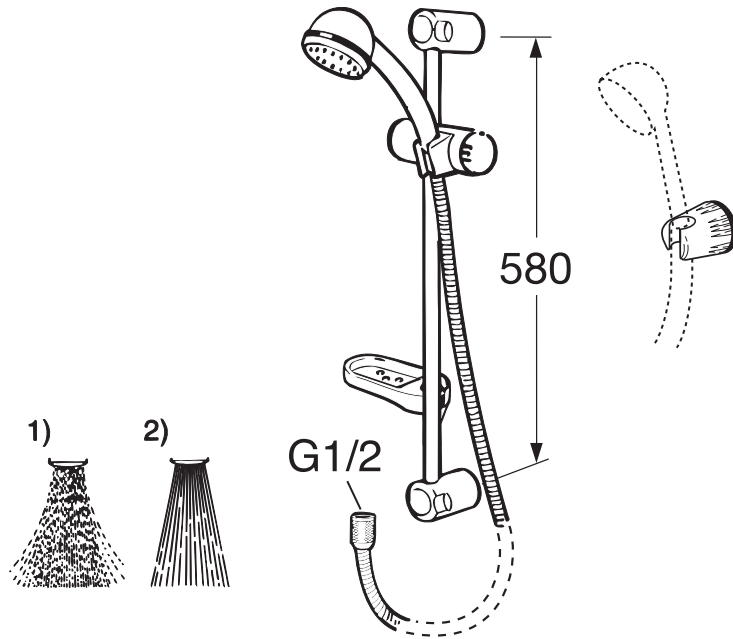
<p>FGO 64 05 60</p> 	<p>FGO 64 08 35</p> 	<p>FGO 64 08 36</p> 
<p>2003-</p>  <p>18 x 1</p>	<p>400mm: GB41 63 35 05 1000mm: GB41 63 35 06</p> 	<p>FGO 64 08 37</p>  
<p>1988 - 2003</p>  <p>22 x 1</p>		<p>FGO 64 08 41</p> 

RESERVEDELER

**Utendørskran**

DETALJENUMMER OG PRODUKT	NRF. NR.	ART. NR.	VEIL. PRIS EKS. MVA.	VEIL. PRIS INKL. MVA.
Nøkkel 8 mm, fra 1977	4342969	FG0640560	60	75
Komplett overdel (for nøkkel) u/dren.	4343273	FG0640548	131	164
Reservedelsssett komplett (etter 1986)	4343286	GB41633510 01	100	125
Spindelforl. 400 mm (etter 1986)	4343271	GB41633505 01	235	294
Spindelforl. 1000 mm (etter 1986)	4343272	GB41633506 01	379	474
Komplett overdel m/drenering f/101015	4343275	FG0640782	266	333
Tilbakeslagsventil Ø14 mm( f.o.m aug. 1996)	4343336	GB41634719 01	56	70
Fjærbelastet tilbakeslagsventil, ny type	4343084	FG0640835	47	59
Komplett overdel m/drenering f/nøkkel, ny type	4343085	FG0640836	266	333
Komplett overdel u/drenering f/nøkkel, ny type	4343086	FG0640837	131	164
Spindel med ratt 18 mm, krom	4342686	FG0640841	261	326





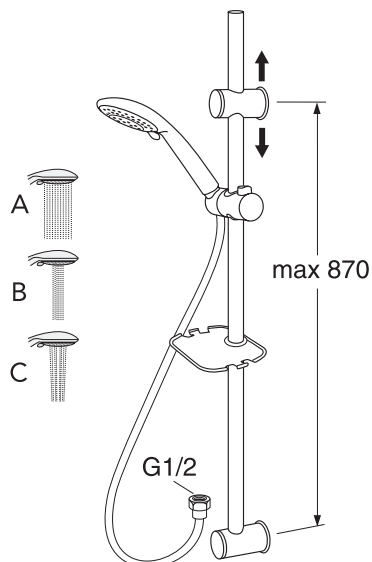
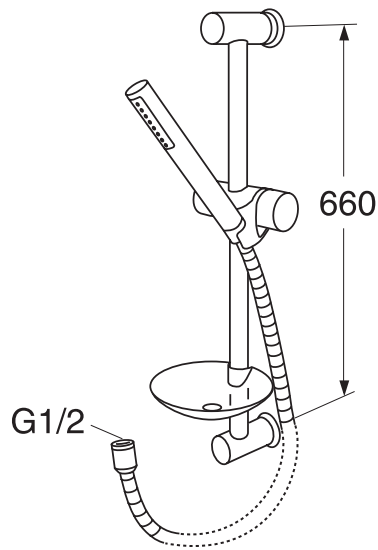
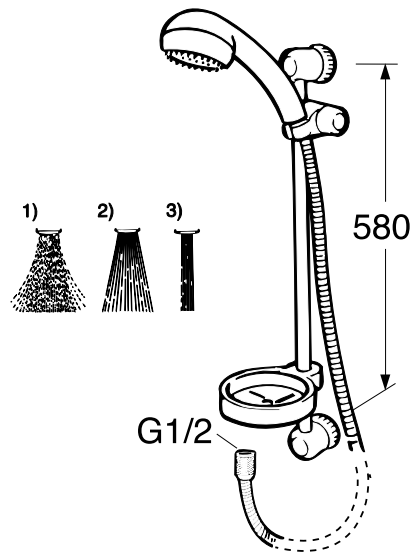


## Nordic dusjsett

DETALJENUMMER OG PRODUKT	NRF. NR.	ART. NR.	VEIL. PRIS EKS. MVA.	VEIL. PRIS INKL. MVA.
Slange	4343811	GB41636266 00	131	164
Veggfeste, krom	4343801	GB41636254 00	136	170
Glider, krom	4343802	GB41636255 00	134	168
Hånddusj, krom	4343803	GB41636261 00	165	206
Hånddusjfeste vegg, krom	4340714	GB41637575	94	118
Såpekopp, transparent	43438 05	GB41636264 44	84	105

## NordicPlus dusjgarnityr

DETALJENUMMER OG PRODUKT	NRF. NR.	ART. NR.	VEIL. PRIS EKS. MVA.	VEIL. PRIS INKL. MVA.
NordicPlus dusjgarnityr	4343807	GB41636256 00	163	204
Glider, krom	4343808	GB41636257 00	209	261
Hånddusj, krom	4343809	GB41636265 00	246	308
Slange 1,75 m, krom	4343811	GB41636266 00	131	164
Dusjomkaster f/dusjsett i off. miljø	4342734	GB41637320	600	750





## Atlantic dusjgarnityr

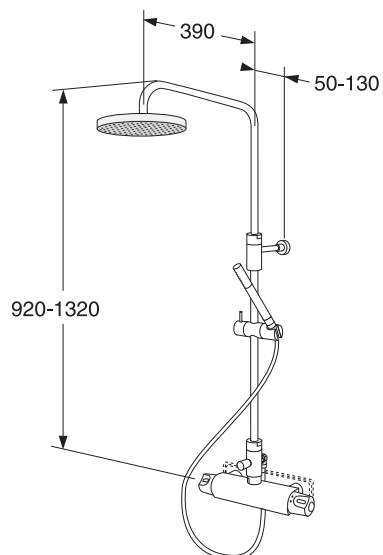
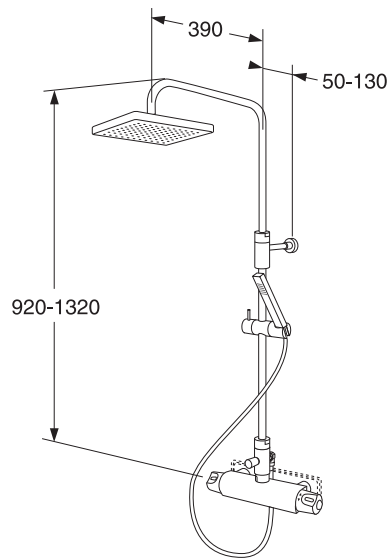
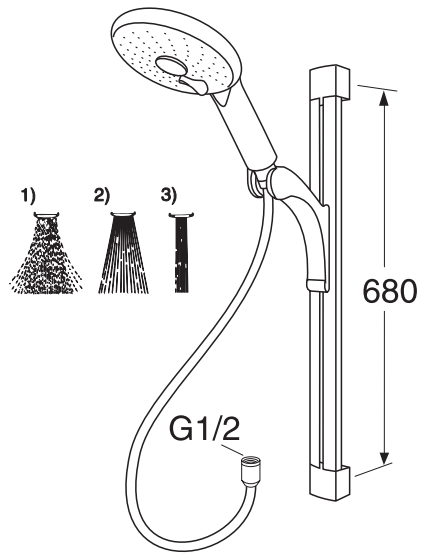
DETALJENUMMER OG PRODUKT	NRF. NR.	ART. NR.	VEIL. PRIS EKS. MVA.	VEIL. PRIS INKL. MVA.
Slange	4343811	GB41636266 00	131	164
Veggfeste	4342759	GB41638727 02	165	206
Såpekopp	4342761	GB41638728 01	158	198

## Skandic 03 dusjgarnityr

DETALJENUMMER OG PRODUKT	NRF. NR.	ART. NR.	VEIL. PRIS EKS. MVA.	VEIL. PRIS INKL. MVA.
Hånddusj, krom	4342687	GB41636596 00	452	565
Såpekopp, transparent	4342688	GB41636597 44	112	140
Veggfeste, krom (2 stk)	4342689	GB41636598 00	924	1.155
Glider, krom	4342691	GB41636599 00	1.122	1.403

## Dusjsett 1

DETALJENUMMER OG PRODUKT	NRF. NR.	ART. NR.	VEIL. PRIS EKS. MVA.	VEIL. PRIS INKL. MVA.
Hånddusj	4342757	GB41638725 01	246	308
Dusjslange	4343811	GB41636266 00	131	164
Veggfeste	4342759	GB41638727 02	165	206
Såpekopp	4342761	GB41638728 01	158	198



**Coloric dusjsett**

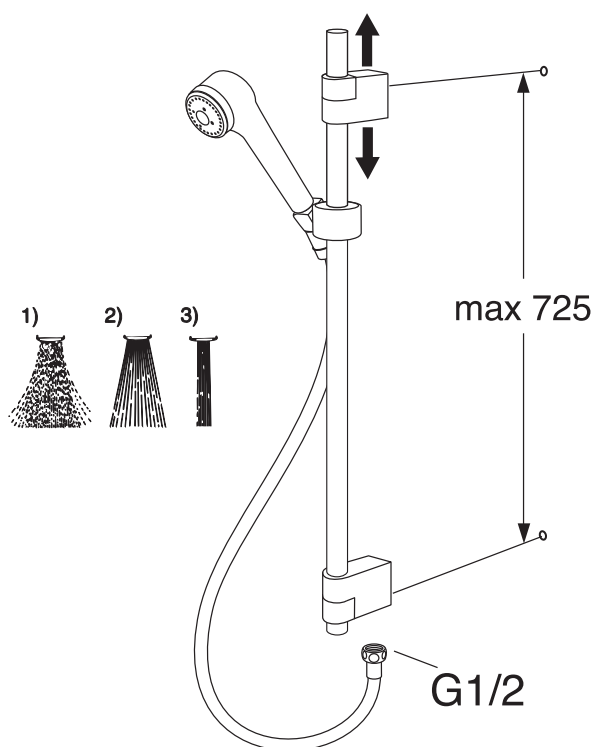
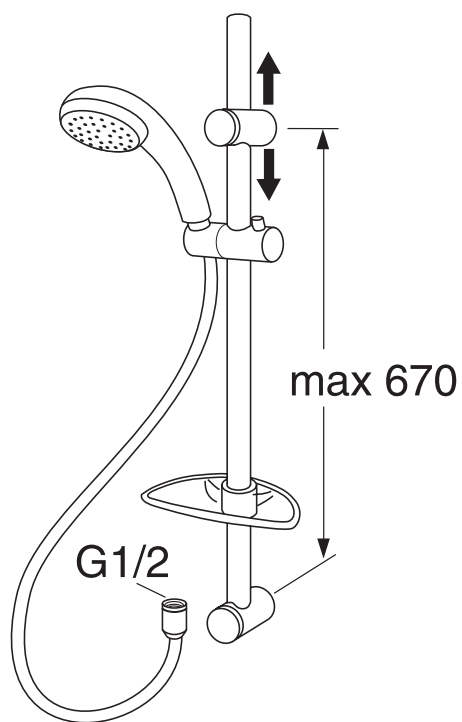
DETALJENUMMER OG PRODUKT	NRF. NR.	ART. NR.	VEIL. PRIS EKS. MVA.	VEIL. PRIS INKL. MVA.
Dusjslange	4343811	GB41636266 00	131	164
Hånddusj	4342762	GB41637562	478	598

**G1 dusjsett**

DETALJENUMMER OG PRODUKT	NRF. NR.	ART. NR.	VEIL. PRIS EKS. MVA.	VEIL. PRIS INKL. MVA.
Hånddusj G1	4342936	GB41638467	224	280
Slange G1/G2	4343811	GB41636266 00	131	164
Kit for sidemontering	4342933	GB41638464	335	419
Veggstag G1/G2	4342935	GB41638466	166	208
Omkafter	4342934	GB41638465	303	379
Glider G1/G2	4342941	GB41638472	136	170
Takdusj G1	4342938	GB41638469	753	941
Vinkel G1/G2		GB41637319	499	624
Pakninger G1/G2		GB41638589	47	59

**G2 dusjsett**

DETALJENUMMER OG PRODUKT	NRF. NR.	ART. NR.	VEIL. PRIS EKS. MVA.	VEIL. PRIS INKL. MVA.
Hånddusj G2	4342937	GB41638468	215	269
Slange G1/G2	4343811	GB41636266 00	131	164
Kit for sidemontering	4342933	GB41638464	335	419
Veggstag G1/G2	4342935	GB41638466	166	208
Omkafter	4342934	GB41638465	303	379
Glider G1/G2	4342941	GB41638472	136	170
Takdusj G2	4342939	GB41638470	628	785
Vinkel G1/G2		GB41637319	499	624





## Nautic I dusjsett

DETALJENUMMER OG PRODUKT	NRF. NR.	ART. NR.	VEIL. PRIS EKS. MVA.	VEIL. PRIS INKL. MVA.
Hånddusj	4342763	GB41637560	246	308
Stang/glider/feste/såpekopp	4342706	GB41637577	485	606
Glider	4342944	GB41637584 01	252	315

## Nautic II dusjsett

DETALJENUMMER OG PRODUKT	NRF. NR.	ART. NR.	VEIL. PRIS EKS. MVA.	VEIL. PRIS INKL. MVA.
Dusjslange	4342764	GB41637564	246	308
Glider, stang, fester	4342765	GB41637571	485	606
Hånddusj		GB41637561	485	606



## RETNINGSLINJER FOR KUNDEREKLAMASJONER VILLEROY & BOCH NORGE AS

Av det nedenstående vil det fremgå hvilke retningslinjer som skal følges ved ulike reklamasjoner. Vi ber Dem spesielt påse at ingen varer returneres til Villeroy & Boch Norge AS før selskapet har avgitt sin uttalelse. På denne måten vil reklamasjonen få hurtigere og smidigere behandling.

### A. Feil eller uoverensstemmelser som er oppstått i forbindelse med fakturering eller ekspedert kvantum.

#### Definisjon:

Kjøperen har mottatt riktig type varer, men feil er oppstått i faktureringen (f.eks. pris, avgift, utregning etc.) eller det mottatte kvantum stemmer ikke med pakkseddel/faktura.

#### Behandling:

Kjøperen må underrette Villeroy & Boch Norge AS om feilen. Villeroy & Boch Norge AS vil så raskt som mulig, foreta de nødvendige korrigeringer av fakturaen/levert kvantum. Kontakt Villeroy & Boch Norge AS ordrekontor.

### B. Mottagelse av feil type vare.

#### Definisjon:

Det foreligger ikke noe kvalitetsproblem, men feil type varer er mottatt av kjøperen.

#### Alternativ kan være at:

1. Ordrebekreftelse ikke er kontrollert mot bestilling og avvik/feil har oppstått.
2. Kjøperen har bestilt feil vare
3. Villeroy & Boch Norge AS har levert feil type vare.

#### Behandling:

1. Dersom ordrebekreftelse ikke er kontrollert mot bestilling:  
Ordrebekreftelse fra Villeroy & Boch Norge AS må umiddelbart kontrolleres mot bestilling slik at evt. avvik/feil kan bli korrigert. Hvis så ikke blir gjort og feil oppstår, må dette anses som feilbestilt og det vil bli fratrukket 40% i evt. returomkostninger.
2. Dersom Kjøperen har bestilt feil type varer:
  - a) Returanmodning må innkomme til Villeroy & Boch Norge AS innen 20 dager etter mottagelsen av varene.
  - b) Retur godkjennes kun for standard lagervare som normalt føres av Villeroy & Boch Norge AS. Kun komplette varer kan godkjennes. En vare som er spesialtilvirket for en kjøper eller som av andre grunner ikke kan betraktes som standard lagervare, godkjennes normalt ikke for retur. Kvalitetsreklamasjoner er unntatt fra denne regel.



## RETNINGSLINJER FOR KUNDEREKLAMASJONER VILLEROY & BOCH NORGE AS

- c) Varene må være innpakket i originalemballasjen og være tilgjengelig for eventuell inspeksjon. Bare fullt salgbare varer godkjennes for retur.
  - d) Hvis varene godkjennes for retur, må kjøperen returnere varene innen 10 dager etter at han har mottatt godkjennelse på retur.
  - e) Retur av varer kan kun finne sted når godkjennelse fra Villeroy & Boch Norge AS foreligger. Returomkostninger fratrekkes med 40% i kreditnota. Fraktomkostninger belastes kjøper.
3. Villeroy & Boch Norge AS har levert feil type varer:
- a) Kjøperen må sende meddelelse om feilen innen 15 dager etter mottagelsen av varene.
  - b) Varene må være pakket i original emballasje, og være i salgbar stand.
  - c) Vi ber om at retur av varen ikke skjer før svar fra Villeroy & Boch Norge AS foreligger. Kontakt Villeroy & Boch Norge AS' ordrekontor.

NB! Returpapirer skal alltid inneholde riktig NRF-nr./art.nr., kundens bestillingsnummer, kundens og Villeroy & Boch Norge AS' returnr. samt årsak til retur. Dette er viktig.

Hvis returpapirer mangler noen av disse opplysningene, blir varen returnert til kundens adresse på dennes transportregning uten forvarsel.

### C. Mottagelse av beskadigede varer.

#### Definisjon:

Ved mottagelse av varene oppdager kjøperen at disse er beskadiget.

1. NB! Når det gjelder transportskade forårsaket av vår transportør, skal fraktbrev med under skrift av sjåfør på bil der varen ble skadet alltid følge med som vedlegg til krav om erstatning eller kreditt, samt kundens bestillingsnummer.
2. Meddelelse om skaden blir sendt straks etter mottagelse av varene. Reklamasjoner som blir inngitt mer enn 15 dager etter levering, kan under ingen omstendigheter aksepteres.
3. Beskadigede varer inklusive emballasje må være tilgjengelig for destruksjon av representant fra Villeroy & Boch Norge AS.
4. Varene kan ikke returneres eller kasseres før godkjennelse er innhentet fra Villeroy & Boch Norge AS.



## RETNINGSLINJER FOR KUNDEREKLAMASJONER VILLEROY & BOCH NORGE AS

### D. Kvalitetsreklamasjoner.

#### Definisjon:

Kjøperen meddeler Villeroy & Boch Norge AS at han har kvalitetsproblemer med et produkt.

#### Behandling:

Kjøperen må umiddelbart underrette Villeroy & Boch Norge AS om kvalitetsproblemene.

Reklamasjonen må i alle tilfelle tydelig spesifisere mangelens art og omfang. Det må også oppgis for hvilket formål produktet er anskaffet. En prøve på produktet som er gjenstand for klage - skal om mulig medfølge den skriftlige reklamasjonen. Kjøperen må heller ikke i dette tilfellet returnere eller kassere varer før Villeroy & Boch Norge AS har gitt instruks om dette. Når en teknisk analyse av det defekte produktet er nødvendig, må denne utføres av en kvalifisert person. I enkelte tilfelle vil dette si at produktet må oversendes Villeroy & Boch Norge AS. NB! Gustavsberg (Vårgårda) og Dornbracht-armaturprodukter skal alltid returneres Villeroy & Boch Norge AS.

Villeroy & Boch Norge AS vil bestrebe seg på å behandle reklamasjoner så raskt som mulig. Hvis reklamasjonen godkjennes, vil Villeroy & Boch Norge AS kreditere kjøperen for det returnerte kvantum til opprinnelig verdi. Vi ber Dem spesielt legge merke til at Villeroy & Boch Norge AS kun forplikter seg til å erstatte det kvantum som har vist seg beheftet med feil. Villeroy & Boch Norge AS er ikke ansvarlig for noen som helst beskadigelse, tap eller skade, direkte eller indirekte, som følge av feil bruk av produktet.

#### NB!

Ved reklamasjon som skyldes produktfeil og mangler påført av Villeroy & Boch Norge AS, vennligst ta kontakt med serviceansvarlig hos Villeroy & Boch Norge AS, pr. telefon 67 97 82 50 eller 67 97 82 55 (direkte), pr. e-post [dagfinn.braathen@gustavsberg.com](mailto:dagfinn.braathen@gustavsberg.com) eller pr. telefaks 67 97 16 57, eller distriktsrepresentant.

Faktura for utført reklamasjonsarbeid/produktreklamasjon på et Gustavsberg/Villeroy & Boch-produkt skal være merket med et nummer oppgitt av serviceansvarlig hos Villeroy & Boch Norge AS, samt kundens returnnummer.

#### NB!

Arbeid som skal gjøres ved reklamasjon må alltid godkjennes av serviceansvarlig i Villeroy & Boch Norge AS, Dagfinn Bråthen tlf.: 67 97 82 55/419 26 549.

E-post: [dagfinn.braathen@gustavsberg.com](mailto:dagfinn.braathen@gustavsberg.com). Eller distrikstansvarlig.

Det utarbeides en CRM på arbeidet som sendes til den som utfører arbeidet.

Kopi av CRM legges ved arbeids

## SMARTE SYMBOLER FOR SMARTE LØSNINGER

### STILLE PÅFYLLING OG TØRT



DEN HELEDEKKEDE SISTEREN SKJULER EN SEPARAT INNERTANK. DETTE VIRKER LYDDEPENDE OG FORHINDRER KONDENS. \*SÅ STØV IKKE FÅR FØTE\*

### INGEN SMUSSFELLER



PÅ ALLE NAUTIC KLOSETTER MED SYNLIG SISTERNE ER SKJØTEN MELLOM SKÅL OG SISTERNE FLYTTET OPP. DEN GLATTE PORSELENSKAPPEN HINDRER AT SMUSS SAMLER SEG OG LETTER RENGJØRINGEN.

### CERAMICPLUS = C+



MANGE AV PRODUKTENE VÅRE KAN LEVERES MED OVERFLATEBEHANDLINGEN C+. DEN GIR PORSELENET EN SMUSSAVVISENDE OVERFLATE SOM HINDRER KALK OG SMUSS I Å FESTE SEG. C+ ER OGSÅ BRA FOR MILJØET. ETTERSOM DEN GJØR AT DU KLARER DEG MED MINDRE OG MILDERE VASKEMIDDEL VED RENGJØRING.

### QUICK RELEASE



MED QUICK RELEASE KAN DU LØFTE AV TOALETTSETET MED ET ENKELT HÅNDGREP. UTEN Å MÅTTE BRUKE VERKTØY. DERMED KAN DU RENGJØRE SETET OG KLOSETTET HVER FOR SEG. NOE SOM ER BÅDE ENKLERE OG MER HYGIENISK.

### SOFT CLOSE



HARDE, EKSklusive TOALETTSETER HAR TIDLIGERE VÆRT FORBUNDET MED HØYT LYDNIVÅ NÅR DE LEGGES NED. SOFT CLOSE-FUNKSJONEN HAR LØST DETTE PROBLEMET VED HJELP AV EN DEMPER SOM ER INNEBYGD I SETET OG GJØR AT DET LEGGES NED MYKT OG LYDLØST. DEMPEREN HAR INGEN DIREKTE KONTAKT MED PORSELENET. NOE SOM GJØR RENGJØRINGEN ENKLERE OG SETET MER HYGIENISK.

### HYGIENIC FLUSH



SMARTERE SPYLING SOM GIR BEDRE HYGIENE OG FORENKLER RENHOLDET. DET INNOVATIVE DESIGNET MED ÅPEN SPYLEKANT OG GLATTE OVERFLATER, ELIMINERER ALLE EVENTUELLE SMUSSFELLER. HYGIENIC FLUSH MINIMERER BEHOVET FOR STERKE RENGJØRINGSMIDLER.

### 2/4 LITERS SPYLING



NOEN AV VÅRE KLOSETTER KAN BESTILLES MED LAV SPYLEKNAPP SOM ER INNSTILT PÅ EN LAVERE SPYLEMENGDE, 2/4 LITER. DETTE SPARER BÅDE VANN OG MILJØ.

### M.O.D. / URINERINGSAVSTAND



KLOSETTETS FREMRE KANT ER SPESIELT UTFORMET FOR Å GI EKSTRA AVSTAND VED SITTENDE URINERING. DEN ØKTE AVSTANDEN HINDRER SØL OG UHYGIENISK BERØRING AV PORSELENET. SMART PRODUKTUTVIKLING SOM GIR BEDRE HYGIENE OG ØKT KOMFORT.

M.O.D. = MALE ORGAN DISTANCE

### VIPP-IN



UNDERKANTEN PÅ DUSJHJØRNET, DER DØREN MØTER GULVPROFILEN, ER VANLIGVIS VANSKELIG Å HOLDE REN. MED VIPP-IN-FUNKSJONEN ER DET ENKELT Å LØSNE DUSJDØRENE FRA GULVPROFILEN FOR MER EFFEKTIV RENGJØRING OG BEDRE HYGIENE.

### HENGSLER MED HEVE- OG SENKEMEKANISME



HENGLER MED HEVE- OG SENKEMEKANISME ER EN SMART DETALJ SOM HEVER DUSJDØREN 5 MM HVER GANG DU ÅPNER OG LUKKER DEN. DERMED REDUSERES SLITASJE PÅ GULV OG DUSJDØRER TIL ET MINIMUM. EN PRAKTISK FUNKSJON SOM GIR EN EKSKLUSIV, LUKSURIØS FØLELSE.

### CLEAR GLASS



DUSJVEGGER UTSETTES STADIG FOR VANN, SÅPE, OLJER, SJAMPO OG KALK. DERFOR ER ALLE DUSJENE FRA GUSTAVSBERG UTSTYRT MED CLEAR GLASS. EN BESKYTTENDE OVERFLATE SOM FORENKLER RENGJØRINGEN OG REDUSERER BEHOVET FOR VASKEMIDLER.

### MØBLER MED SOFT CLOSE



AKUSTIKKEN PÅ ET BADEROM KAN FØRE TIL Å PLUTSELIGE, HØYE LYDER OPPLIVES SOM SÆRLIG FORSTYRENDE. MED SOFT CLOSE STENGES SKAPDØRER OG SKUFFER MYKT OG LYDLØST.

### ECO-TAP / ENERGISPARING



EN REVOLUSJONERENDE ENERGIBESPARENDE FUNKSJON SOM KAN REDUSERE FORBRUKET MED 50 PROSENT. DEN ENKLE LØSNINGEN LIGGER I AT SPAKEN AKTIVT MÅ FØRES HELT UT TIL VENSTRE FOR AT VANNET SKAL OPPNÅ MAKSIMUMSTEMPERATUR. NÅR DU SLIPPER SPAKEN, GÅR DEN TILBAKE TIL DET FORHÅNDSINNSTILTE KOMFORTTRINNET MED EN TEMPERATUR PÅ OMKRING 38 TIL 40 GRADER. KOMFORTTEMPERATUREN ER FULLSTENDIG REGULERBAR FOR INDIVIDUELL TILPASNING.

### ECO-TAP / VANNSPARING



BLANDEBATTERIET HJELPER DEG Å UNNGÅ Å BRUKE MER VANN ENN NØDVENDIG. NORMALSTILLINGEN GIR EN FORHÅNDSINNSTILT KOMFORTGJENNOMSTRØMNING SOM ER TILSTREKkelig TIL FOR EKSEMPEL OPPVASK OG VASK AV HENDER. FULL VANNGJENNOMSTRØMNING OPPNÅS VED Å LØFTE SPAKEN TIL DEN ØVERSTE STILLINGEN. NÅR DU SLIPPER SPAKEN, GÅR DEN AUTOMATISK TILBAKE TIL KOMFORTGJENNOMSTRØMNINGEN. FUNKSJONEN FOR GJENNOMSTRØMNING ER FULLSTENDIG REGULERBAR FOR INDIVIDUELL TILPASNING.

### ECO-START



ET ENERGIBESPARENDE BLANDEBATTERI SOM STARTER PÅ EN TEMPERATUR PÅ 17 GRADER I NORMALSTILLING (SPAKEN RETT FREM). NOE SOM GJØR AT DU SPARER BÅDE ENERGI OG PENGER.

### BERØRINGSFRITT BLANDEBATTERI



DEN SMARTE SENSORTEKNOLOGIEN HJELPER DEG Å SPARE VANN OG ENERGI HELT AUTOMATISK. BLANDEBATTERIET ÅPNEKES AUTOMATISK NÅR DU HOLDER HENDENE I RIKTIG POSISJON, OG STENGES SÅ SNART DU FJERNER DEM. VED RENGJØRING HOLDER DU FOR FØLEROYET, SÅ DEAKTIVERES BLANDEBATTERIET MIDLERTIDIG. DRIVES AV STANDARD-BATTERI ELLER TRANSFORMATOR.

### JEVNT TRYKK



TERMOSTATBATTERIENE HAR INNEBYGD AUTOMATISK SKÅLDINGS- BESKYTTELSE OG TEMPERATURFØLER SAMT TYPEGODKJENTE TILBAKELAGSVENTILER. DERFOR REAGERER DE RASKT PÅ DE TRYK- OG TEMPERATURFORANDRINGENE SOM KAN OPPSTÅ I VANNET, OG JEVNER DEM UT.

### ANTIBAKTERIELL FARGE



ALLE FARGELAKKERTE SPAKER OG VRIDERE PÅ BLANDEBATTERIENE I LOGIC-SERIEN HAR EN ANTIBAKTERIELL OVERFLATEBEHANDLING SOM MOTVIRKER SPREDNING AV BAKTERIER (FEKS. PNEUMOKOKKER OG MULTIRESISTENTE BAKTERIER), VIRUS OG SOPP. OVERFLATEBEHANDLINGEN HAR EN LANGVARIG OG DOKUMENTERT EFFEKT PÅ MINST FEM ÅR.

### SELVREPARERENDE FARGE



MINDRE RIPER SOM OPPSTÅR PÅ FARGELAKKERTE SPAKER OG VRIDERE PÅ BLANDEBATTERIENE I LOGIC-SERIEN, FORSVINNER AV SEG SELV TAKKET VÆRE DE UNIKE, SELVREPARERENDE EGENSKAPENE. DEN LAKKERTE OVERFLATEBEHANDLINGEN GIR BLANDEBATTERIET LENGRE LEVETID OG REDUSERER RISIKOEN FOR SPREDNING AV BAKTERIER.

### SAFE TOUCH



SAMTLIGE TERMOSTATBATTERIER FRA GUSTAVSBERG HAR EN SAFE TOUCH FUNKSJON. DETTE INNEBÆRER AT BLANDEBATTERIENE ER KONSTRURERT SÅ VARMVANNET LEDES LANGS BLANDEBATTERIETS BAKSIDE. DETTE MINIMERER VARMEN PÅ TERMOSTATENS FRAMSIDE, OG MINSKER RISIKOEN FOR Å BRENNE SEG.

### BLYFRITT



BLANDEBATTERIENE ER PRODUSERT I ET MATERIALE SOM GIR MINDRE ENN 0.1% BLY AV TOTALVEKTEN. MILJØSMARTE BLANDEBATTERIER SOM OPPFYLLER TØFFE KRAV NÅR DET GJELDER FOREKOMSTEN AV BLY. BLANDEBATTERIENE ER DISKRET LASERMERKET MED SYMBOLET PÅ BAKSIDEN FOR SPORBARHET.

### GLAZEPLUS



BADEKARENE VÅRE KAN LEVERES MED EN EKSTRA OVERFLATEBEHANDLING SOM VI KALLER GLAZEPLUS. EN KRYSTALLKALKAR POLYMERFILM SOM BESKYTTER OVERFLATEN PÅ BADEKARET MOT SMUSS OG KALKAVLEIRINGER. NOE SOM FORENKLER RENGJØRINGEN OG REDUSERER BEHOVET FOR VASKEMIDLER.

### ANTISKL



BADEKARET KAN LEVERES MED EN ANTISKLBEHANDLING DER KVARTSAND ER BRENT INN I EMALJEN I ET ESTETISK, NØYTRALT MØNSTER. OVERFLATEN REDUSERER RISIKOEN FOR FALLULYKKER VED INN- OG UTSTIGNING. DEN ER PLESSERT I FOTENDEN AV BADEKARET, SLIK AT BADEOPPLEVSELSEN IKKE PÅVIRKES NEGATIVT.

### STØTTEHÅNDTAK



BADEKARET KAN BESTILLES MED EGNE STØTTEHÅNDTAK PÅ BADEKARKANTEN, SOM FORENKLER OG ØKER SIKKERHETEN VED INN- OG UTSTIGNING.





## VILLEROY & BOCH NORGE AS

### HOVEDKONTOR

Fakturaadresse: Postboks 13, 1471 Lørenskog  
Besøksadresse: Luhrtoppen 2, 1470 Lørenskog  
Tlf. 67 97 82 50, faks 67 97 16 57  
E-post: info.norway@gustavsberg.com

### KUNDESERVICE, ordre og support

E-post bestilling: ordregb@gustavsberg.com

Minka Sehic, tlf. 67 97 82 53, sehic.minka@gustavsberg.com

Line Andersen, tlf. 67 97 82 63, line.andersen@gustavsberg.com

Anne Gunn Aamodt, CRM teknisk, tlf.dir. 67 97 82 66, annegunn.aamodt@gustavsberg.com

### TEKNISK SERVICE, reklamasjoner, reservedeler og support

Dagfinn Bråthen, teknisk ansvarlig, tlf.dir. 67 97 82 55, dagfinn.braathen@gustavsberg.com

Marius Henriksen, prosjektkoordinator og teknisk support, tlf.dir. 67 97 82 56, mobil 977 30 002, marius.henriksen@gustavsberg.com

Anne Gunn Aamodt, CRM teknisk, tlf.dir. 67 97 82 66, annegunn.aamodt@gustavsberg.com

### SALG Villeroy & Boch Premium

Erik Hansen, mobil 958 25 335, erik.hansen@gustavsberg.com

### SALG Gustavsberg og Villeroy & Boch Basic

Oslo, Akershus, Østfold, Hedmark og Oppland  
Torbjørn Hansen, mobil 468 19 951, torbjorn.hansen@gustavsberg.com

Buskerud, Vestfold, Telemark, Aust- og Vest-Agder, Oppland vest, Rogaland t.o.m. Stavanger  
Anita Irene Hagh, mobil 468 79 790, anita.hagh@gustavsberg.com

Hordaland, Sogn og Fjordane, Møre og Romsdal, Rogaland til Haugesund  
Helge Olsnes, mobil 908 94 490, helge.olsnes@gustavsberg.com

Sør- og Nord-Trøndelag, Nordland, Troms og Finmark  
Thor Johan Aar, mobil 979 70 001, thorjohan.aar@gustavsberg.com

Stavanger

Åge Jensen, mobil 905 40 114, agej@kl-jensen.no

### ØKONOMI OG ADMINISTRASJON

Mai Randi Havnø, tlf.dir. 679 78 251, mairandi.havno@gustavsberg.com

Bjørn Fredricson, Daglig leder  
Mobil 909 15 171, bjorn.fredricson@gustavsberg.com

Tor Strand Jacobsen, markedssjef  
Mobil 905 57 704, torstrand.jacobsen@gustavsberg.com

### MARKEDSSUPPORT

Suzi Gukasjan, tlf. 67 97 82 54, suzi.gukasjan@gustavsberg.com

---



A MEMBER OF THE  
VILLEROY & BOCH GROUP

Villeroy & Boch Norge A/S  
Luhrtoppen 2, 1470 Lørenskog  
Tlf. 67 97 82 50 · Faks 67 97 16 57  
[www.gustavsberg.no](http://www.gustavsberg.no) · [info.norway@gustavsberg.com](mailto:info.norway@gustavsberg.com)