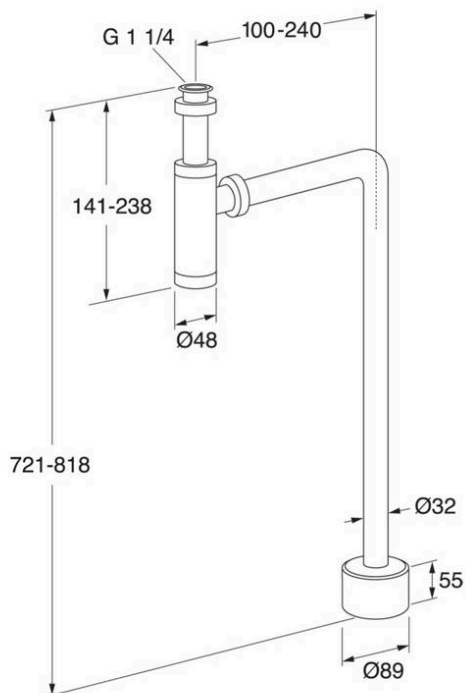


Water trap Round, floor connection

Matt black

GUSTAVSBERG /
SMARTER BATHROOMS



Product features

- An exclusive design
- Made of brass
- Adjustable height and depth

Article number etc.

RSK-nr:

ART-nr:

EAN-nr:

GB41109939 53

7393792234177

Packaging

L: 330,00 x W: 155,00 x H: 65,00 mm.

Weight: 1,05 kg

Energy labeling and certifications

Assembling & Care

Mounted according to the instructions.



Villeroy & Boch Gustavsberg AB / Box 400, 134 29 Gustavsberg, Sweden / Tel: +46 (0) 8-570 391 00 | Fax +46 8 570 320 36 /

www.gustavsberg.com / info@gustavsberg.com