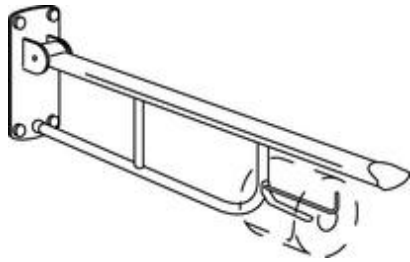


GBG Paper holder for armrest 1711/1712/1713



Article Id :
GB88171401

EAN Code :
7393792212236

The picture shows

Paper holder for armrest 1711, 1712 and 1713.

Description

Paper holder for fixing in armrest 1711, 1712 and 1713. The product is CE marked.

Logistics

0.2 kg with packaging.

Components Connection

Stainless steel

Montage

According to supplied installation instructions.

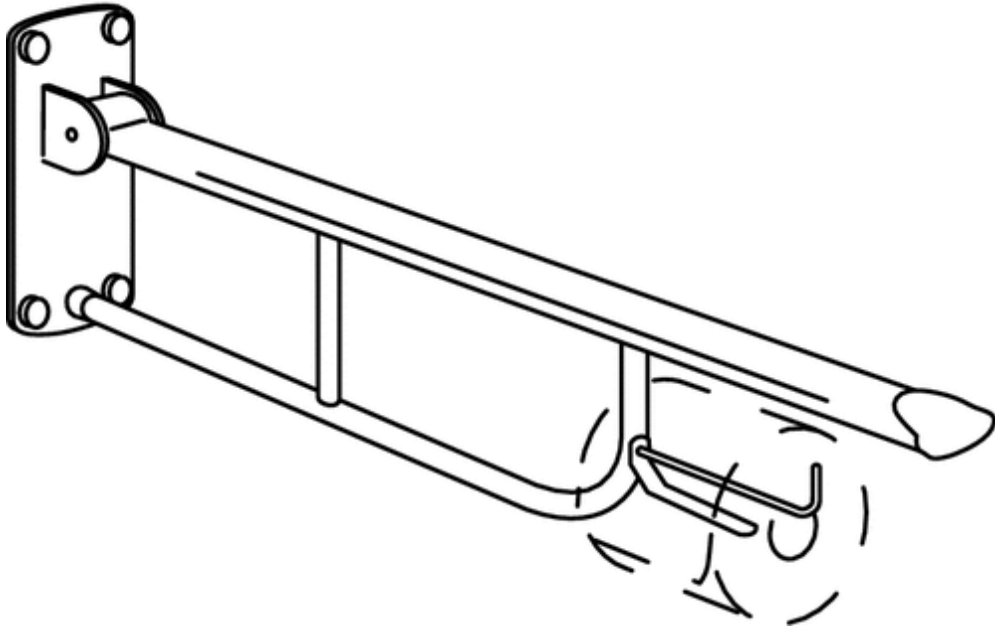


Variants

-

Accessories

-



Copyright © 2007 Gustavsberg. All Rights Reserved