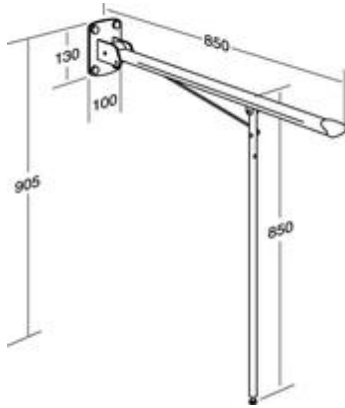


GBG Armrest for wall installation with support legs



Article Id :
GB88171201

EAN Code :
7393792212212

The picture shows

Armrest with support legs for wall installation.

Description

Armrest for wall installation with support legs. The armrest can be folded up. Depth in folded up position 140 mm. Ergonomic end button provides good grip when moving to and from the sitting position. The hinge can be adjusted so that the armrest lowers slowly. Paper holder available as an accessory. The product is CE marked.

Logistics

4 kg with packaging.

Components Connection

Steel with Rilsan paint. Rilsan is a powder paint (thermoplastic polyamide) with extremely good properties against rust, bumps, knocks, wear and chemical effects.

Complementary information

Armrest 1712 can be supplemented with paper holder 1714.

Montage

According to supplied installation instructions.

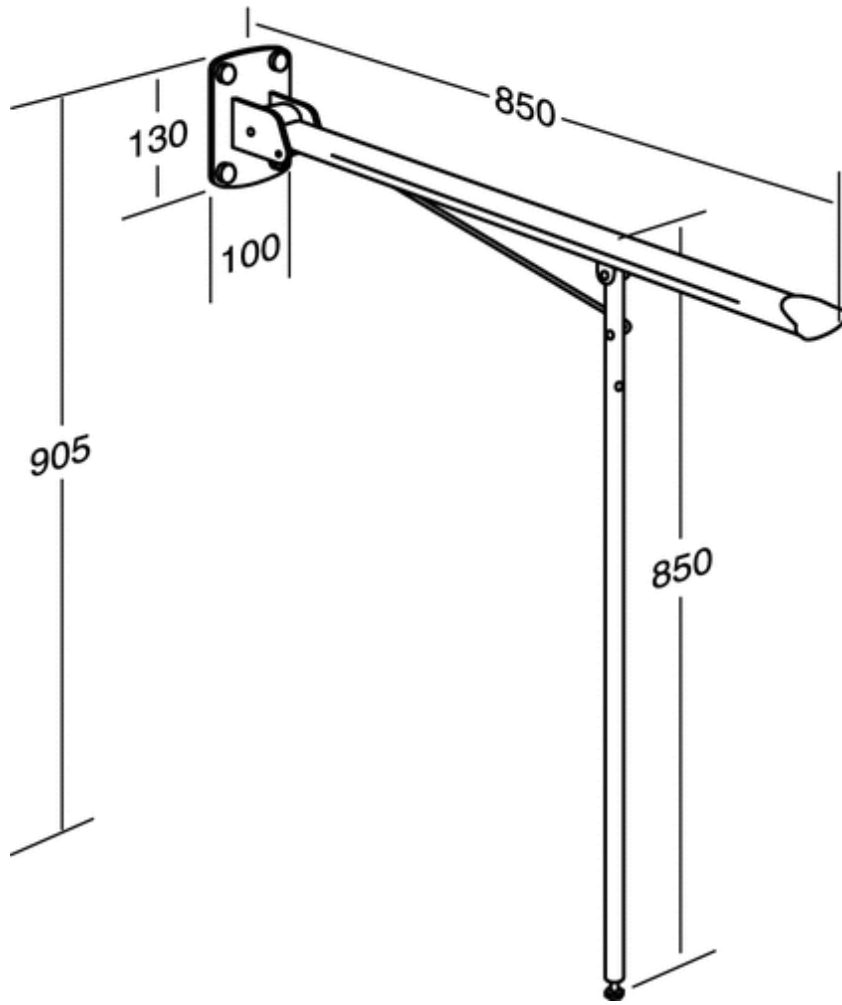


Variants

-

Accessories

-



Copyright © 2007 Gustavsberg. All Rights Reserved