

GBG G2 Toothbrush glass with holder



Article Id :
GB41103853 00

EAN Code :
7391530059297

The picture shows

Toothbrush glass with holder

Montage

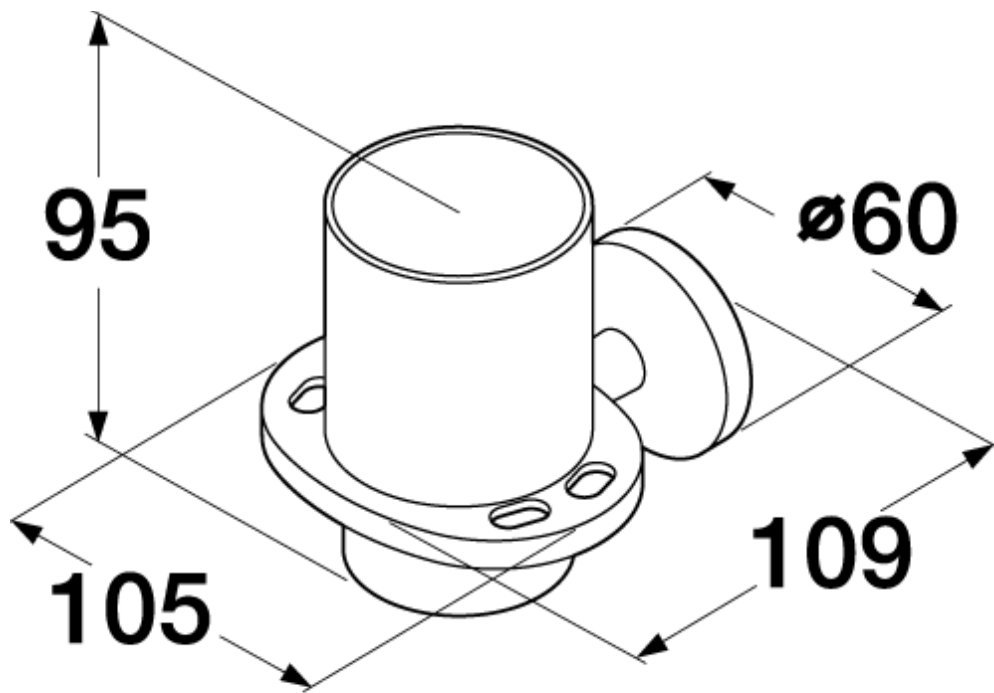
Elegant installation. One to two installation plates secured into the wall and then the part inserted onto them and secured using screws from underneath.

Variants

-

Accessories

-



G2-3853

