

GBG Nautic Kitchen sink mixer 160 c-c



Article Id :

EAN Code :

The picture shows

Kitchen sink mixer Nautic 204081 with low cast spout, for table.

Complementary information

- Ceramic seal
- Plugged connections for additional water outlets Hw and Cw
- Safety module [AA]
- Spout swivel 110°

Montage

Before installation, the pipes must be flushed clean as far as the mixer. The mixer is connected to the cold water pipe on the right and hot water pipe on the left. Water pressure: max 1000 kPa. Hot water temperature: max 80°C.

With patterned bench panels, sealant is recommended between the mixer and bench. We apologize but we cannot accept responsibility for faults resulting from incorrect installation.

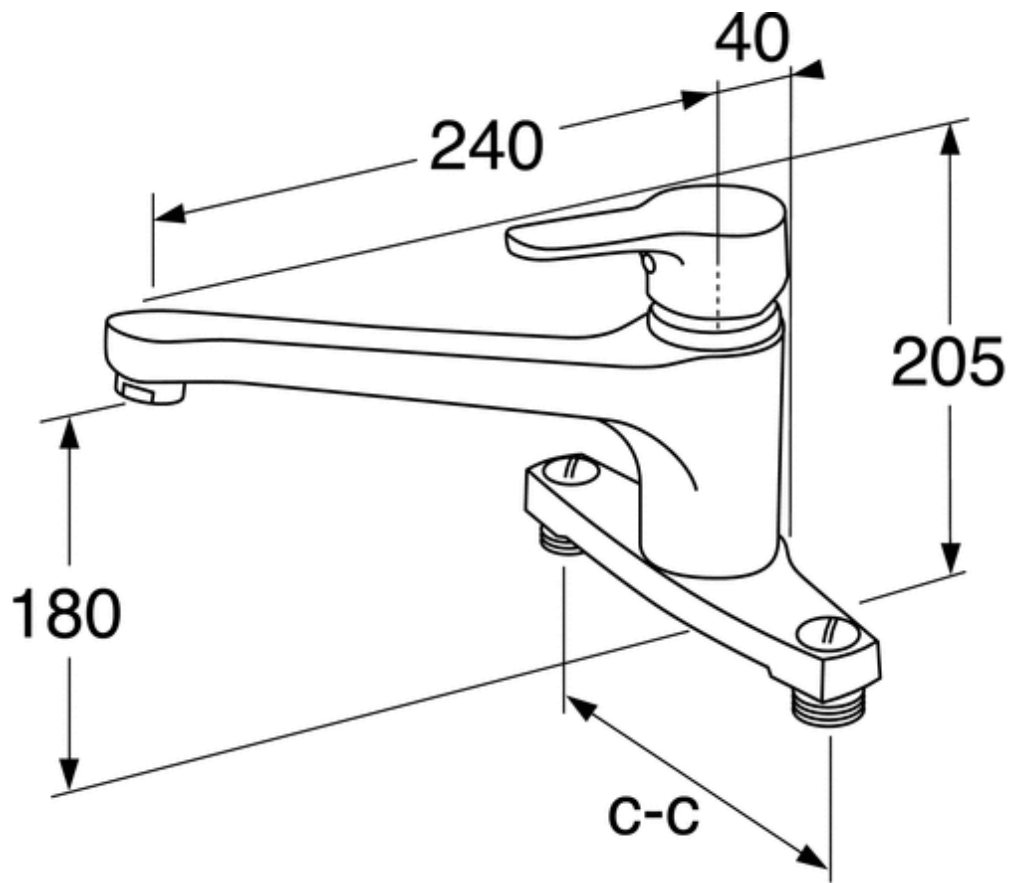


Variants

-

Accessories

Swivel limit kit for swivel spout



Copyright © 2007 Gustavsberg. All Rights Reserved