

GBG 2320 6 I, wall mounted, without seat



Article Id :

EAN Code :

The picture showsWC Nordic 2320 for wall mounting in white. With 3/6 liters, double flushing and hard seat.

Logistics

29 kg with packaging without seat. Seat weights: standard seat with cover 1 kg. hard seat with stainless steel mountings 3 kg.

Components Connection

Float valve: GB with shut-off valve connection R1/2" external thread. The waste fitting has button controlled half- and full flushing (double flushing). Set at 3/6 liters on delivery, alternatively with button controlled waste fitting for single flushing set at 6 liters.

Complementary information

Can be supplemented with: Fixture 382 57 50 – see page XXX. Raised or non-chromed button - see page xxx. Wooden seat - see page xxx.

Montage

Installed on bolts against wall. Washers, gaskets and nuts (M12) supplied, but not bolts. Bolt protrusion from ready wall must be 50 ± 2 mm. Plastic connector for drain connection, rubber bellows and hose clamp are supplied. See supplied installation instructions and installation kit for relevant WC seat. For installation on fragile walls, Gustavsberg's fixture SRS 382 57 50 is recommended. According to the AMA the seat height should be 450 mm which corresponds to a c-c dimension between the existing floor and the center of the waste of 280 mm.

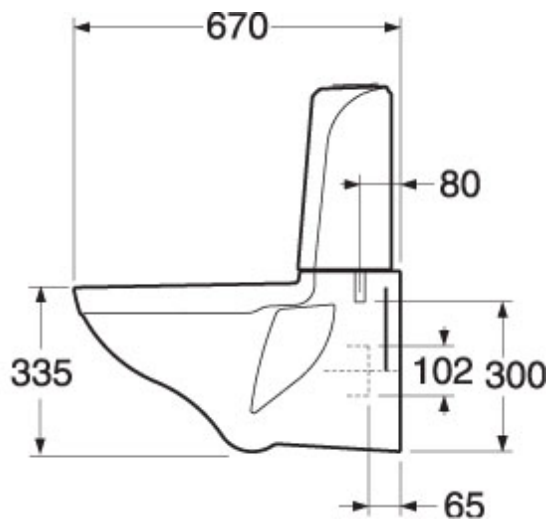
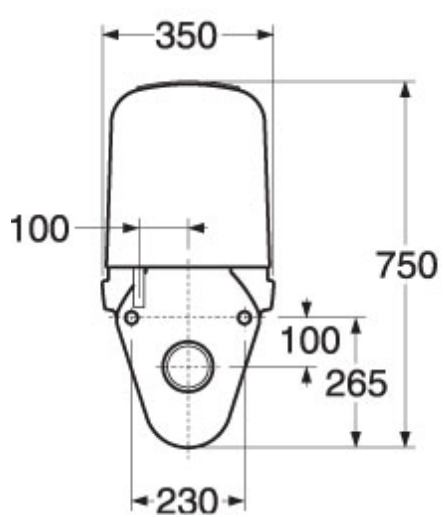


Variants

GBG 2320 6 I, wall mounted, without seat

Accessories

-



Copyright © 2007 Gustavsberg. All Rights Reserved