

GBG 2320 3/6 I wall mounted, standard seat



Article Id :
GB112320301211

EAN Code :
7391530051260

The picture shows

Nordic is replaced by Nautic

Logistics

29 kg with packaging without seat. Seat weights: standard seat 1 kg, hard seat 3 kg.

Components Connection

Float valve: GB with shut-off valve connection R1/2" external thread. The waste fitting has button controlled half and full flushing (double flushing). Set at 3/6 liters on delivery, alternatively with button controlled waste fitting for single flushing set at 6 liters.

Complementary information

Can be supplemented with: Fixture – see page xxx. Seat with soft close – see page xx. Wooden seat – see page xx. Raised or non-chromed button – see page xx.

Montage

Installed on bolts against wall. Washers, gaskets and nuts (M12) supplied, but not bolts. Bolt protrusion from prepared wall must be 50 ± 2 mm. Plastic connector for drain connection, rubber bellows and hose clamp are supplied. See supplied installation instructions and installation kit for relevant WC seat. For installation on fragile walls, Gustavsberg's fixture SRS 382 57 50 is recommended. According to the AMA the seat height should be 450 mm which corresponds to a c-c dimension between the existing floor and the center of the waste of 280 mm.



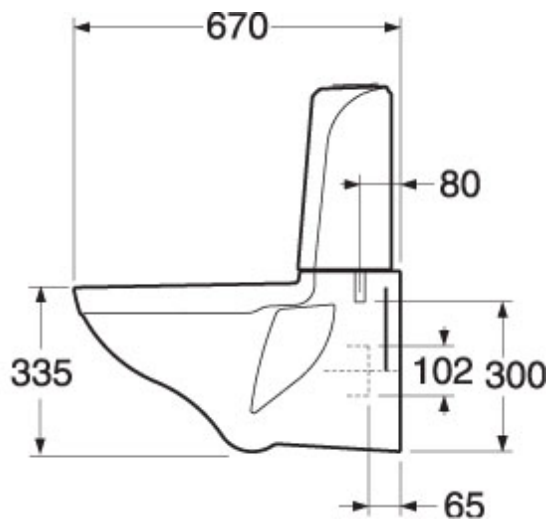
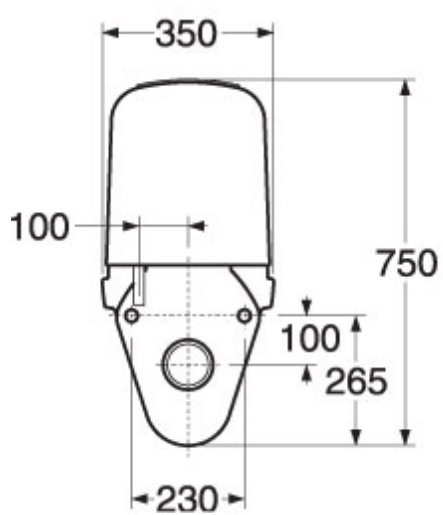
Variants

GBG 2320 6 I, wall mounted, without seat

GBG 2320 3/6 I, wall mounted, without seat

Accessories

-



Copyright © 2007 Gustavsberg. All Rights Reserved