

# GBG 4330, wall mounted without cistern, hard black seat



**Article Id :**  
GB114330001060

**EAN Code :**  
7391530059662

## The picture shows

WC 4330 Artic for wall mounting in white. With hard black seat and stainless steel mountings.

## Description

Designed for combination with integrated cistern and any fixture.

## Approval & standards

CE approved and Nordic Quality certified. Product follows AMA recommendations, SS-EN 38 dimensioning and SS-EN 997 function. "Säker vatteninstallation" compliant.

## Logistics

24.5 kg with packaging without seat. Weight seat: hard seat with stainless steel mountings 3 kg.

## Complementary information

Can be supplemented with: Triomont WC-fixture. Seat with soft close function.

## Montage

Installed on bolts against wall. Washers, gaskets and nuts (M12) supplied, but not bolts. Bolt protrusion from ready wall must be  $90 \pm 2$  mm. See supplied installation instructions for relevant WC seat. Combined with integrated cistern and any fixture. According to the AMA the seat height should be 450 mm which corresponds to a c-c dimension between the existing floor and the center of the waste of 270 mm.

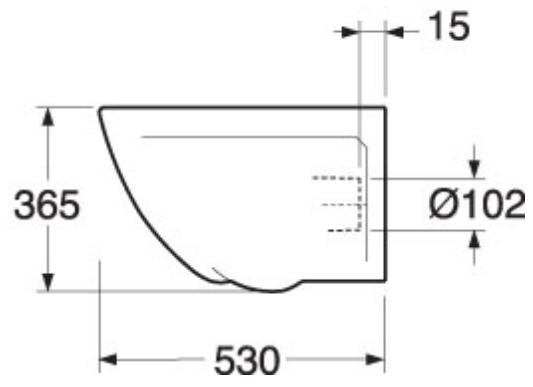
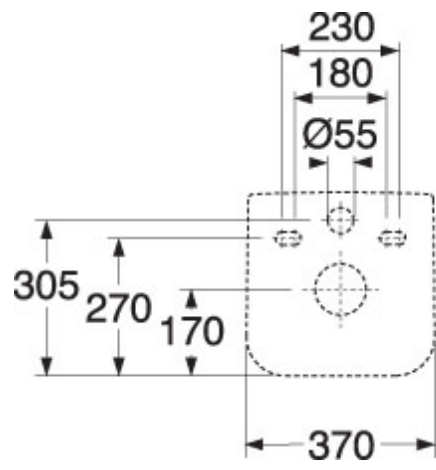


## Variants

GBG 4330, wall mounted without cistern, C+, hard black seat

## Accessories

-



Copyright © 2007 Gustavsberg. All Rights Reserved