

GBG 4330, wall mounted without cistern, hard seat



Article Id :
GB114330201231

EAN Code :
7391530058498

The picture shows

WC 4330 for wall mounting in white. With hard seat and stainless steel mountings.

Approval & standards

CE approved and Nordic Quality certified. Product follows AMA recommendations, SS-EN 38 dimensioning and SS-EN 997 function. "Säker vatteninstallation" compliant.

Logistics

24.5 kg with packaging without seat. Weight seat: hard seat with stainless steel mountings 3 kg.

Complementary information

Can be supplemented with: Triomont WC-fixture. Seat with soft close function.

Montage

Designed for combination with integrated cistern and any fixture. Installed on bolts against wall. Washers, gaskets and nuts (M12) supplied, but not bolts. Bolt protrusion from ready wall must be 90 ± 2 mm. See supplied installation instructions for relevant WC seat. Combined with integrated cistern and any fixture. According to the AMA the seat height should be 450 mm which corresponds to a c-c dimension between the existing floor and the center of the waste of 270 mm.

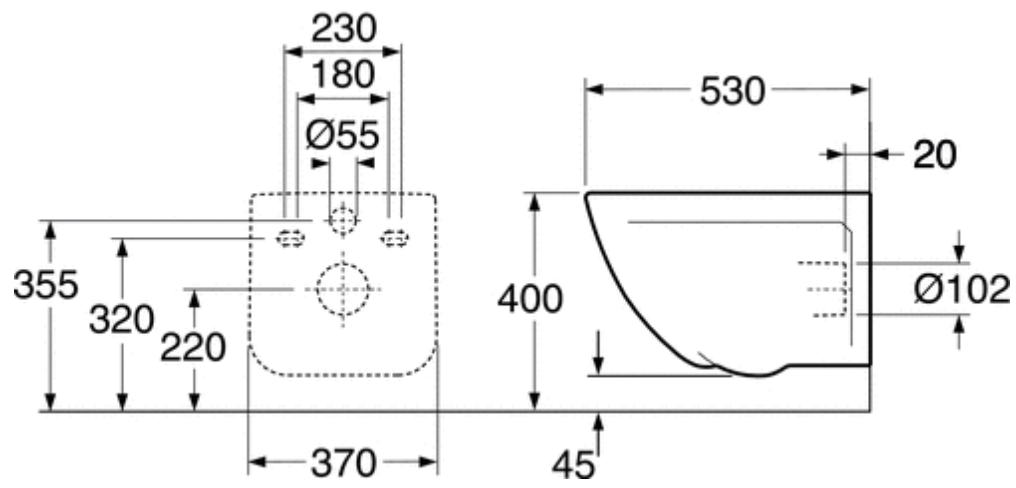


Variants

GBG 4330, wall mounted without cistern, C+, hard seat

Accessories

-



Copyright © 2007 Gustavsberg. All Rights Reserved