

GBG 339 2/4 I, Reconditioned, wall mounted, standard seat



Article Id :
GB1033940101

EAN Code :
7391530046327

The picture shows

WC 339 Reconditioned for wall installation with offset dimension according to previous standard. 2/4 l double flushing with standard seat.

Approval & standards

The product follows AMA recommendations. SS EN 997-function.

Logistics

28 kg with packaging without seat. Seat weights: standard seat with cover 1 kg. hard seat with stainless steel mountings 3 kg.

Components Connection

Float valve: GB with shut-off valve connection R1/2" external thread. The waste fitting has button controlled half- and full flushing (double flushing). Set at 2.4/4.2 liters on delivery.

Montage

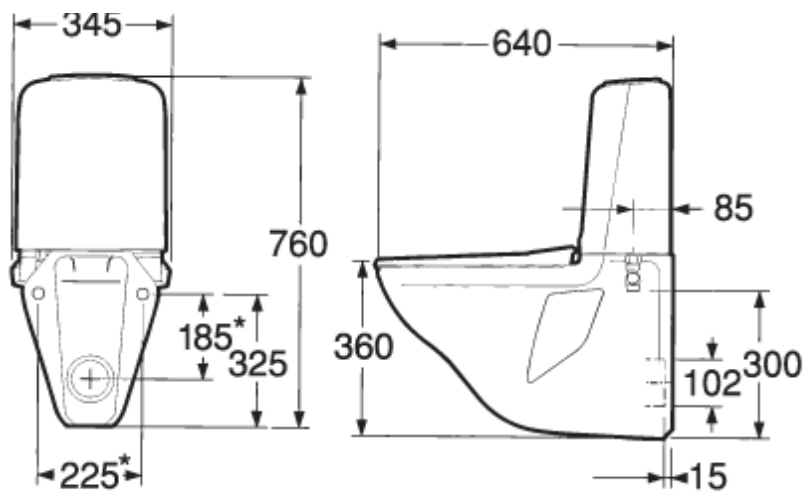
Primarily designed for replacement of older wall mounted wc seats. Installed on bolts against wall. Washers, gaskets and nuts (M12) supplied, but not bolts. Bolt protrusion from ready wall must be 50 ± 2 mm. Plastic connector for drain connection, rubber bellows and hose clamp are supplied. See supplied installation instructions for relevant WC seat. For bolt heights of 385 mm, keep a height of 440 mm at the rear edge of the porcelain's seat surface and 420 mm at the front edge of the bowl.

Variants

-

Accessories

-



* Utbytesmodell. Anslutningsmått enl. tidigare Svensk standard



Copyright © 2007 Gustavsberg. All Rights Reserved