



PRISLISTE GUSTAVSBERG 2015



SANITÆRPORSELEN, TILBEHØR, BADEROMSMØBLER, BADEKAR, DUSJ,
BLANDEBATTERIER OG RESERVEDELER. VEILEDENDE PRISER



VILLEROY & BOCH NORGE AS

HOVEDKONTOR

Fakturaadresse: Postboks 13, 1471 Lørenskog
Besøksadresse: Luhrtoppen 2, 1470 Lørenskog
Tlf. 67 97 82 50, faks 67 97 16 57
E-post: info.norway@gustavsberg.com

KUNDESERVICE, ordre og support

E-post bestilling: ordregb@gustavsberg.com

KUNDESERVICE

Björg Ingebretsen, dir.tlf. 67 97 82 53, bjorg.ingebretsen@gustavsberg.com

Suzi Gukasjan, tlf. 67 97 82 54, suzi.gukasjan@gustavsberg.com

Anne Berit Norén, tlf.: 67 97 82 63, anneberit.noren@gustavsberg.com

TEKNISK SERVICE, reklamasjoner, reservedeler og support

Dagfinn Bråthen, teknisk ansvarlig, tlf.dir. 67 97 82 55, dagfinn.braathen@gustavsberg.com

Marius Henriksen, prosjektkoordinator og teknisk support, tlf.dir. 67 97 82 56, marius.henriksen@gustavsberg.com

Anne Gunn Aamodt, CRM teknisk, tlf.dir. 67 97 82 66, annegunn.aamodt@gustavsberg.com

SALG Villeroy & Boch Premium

Erik Hansen, mobil 958 25 335, erik.hansen@gustavsberg.com
Bjørn Jacobsen, mobil 916 44 062, bjorn.jacobsen@gustavsberg.com (slutter 1. mai 2015)

SALG Gustavsberg og Villeroy & Boch Basic

Oslo, Akershus, Østfold, Hedmark og Oppland
Torbjørn Hansen, mobil 468 19 951, torbjorn.hansen@gustavsberg.com

Buskerud, Vestfold, Telemark, Aust- og Vest-Agder, Oppland vest, Rogaland t.o.m. Stavanger
Anita Irene Hagh, mobil 468 79 790, anita.hagh@gustavsberg.com

Hordaland, Sogn og Fjordane, Møre og Romsdal, Rogaland til Haugesund
Helge Olsnes, mobil 908 94 490, helge.olsnes@gustavsberg.com

Sør- og Nord-Trøndelag, Nordland og Troms
Thor Johan Aar, mobil 979 70 001, thorjohan.aar@gustavsberg.com

Finnmark

Anita Meian, mobil 479 99 777, anita.meian@gustavsberg.com

MARKEDSSUPPORT

Catherine H. Granås, markedscoordinator, tlf.dir. 67 97 82 61, catherine.granas@gustavsberg.com

ØKONOMI OG ADMINISTRASJON

Mai Randi Havnø, tlf.dir. 67 97 82 51, mairandi.havno@gustavsberg.com

Anita Meian, tlf.dir. 67 97 82 57, mobil 479 99 777, anita.meian@gustavsberg.com

Bjørn Fredricson, Daglig leder
Mobil 909 15 171, bjorn.fredricson@gustavsberg.com

Indeks	2
Sanitærporselen	13
Gulvklosetter	13-15
Trykknapper Nautic og gulvklosetter	14
Tilleggsutstyr klosetter	16
Veggmonterte klosetter og veggskåler	17
Veggmonterte klosetter og Klosettseter	18
Care Basic	21
Triomont innbyggingssystemer og trykkplater for veggmonterte klosetter	22
Bidéer og urinaler	24
Nordic ³ servanter og Nautic servanter	25
Nautic servanter og søyler	27
Artic servanter og søyler	28
Logic servanter og søyler	29
Logic møbelservanter og Kompletterende servanter	31
Sykehus/HC-servanter	33
Vannlåser og tilbehør servant	34
Tilbehør	35
Baderomsmøbler	37
Nordic ³ baderomsmøbler	37
Nautic baderomsmøbler	37
Artic baderomsmøbler	41
Logic baderomsmøbler	46
Badekar	51
Badekar i emaljert stålplate med hel- eller halvfrontstativ	51
Frittstående badekar	55
Innbyggingsbadekar i emaljert stålplate	57
Tilvalg: Skandic blandebatteri montert på badekarkanten	59
Dusjvegger	61
Slagdører	63
Dusjkabinetter med og uten blandebatteri	64
Badekarvegger	65
Blandebatterier	67
Nordic ³ servantkraner og Nautic servantkraner	67
Logic servantkraner og Coloric servantkraner	69
Berøringsfrie servantkraner	70
Nautic bidé kran, Nordic ³ dusjtermostat og Nautic dusjtermostat	71
Logic dusjtermostat	72
Coloric dusjtermostat, Nautic termostatbatteri og Logic termostat badebatteri	73
Coloric termostat badebatteri, Coloric ettgreps dusjbatterier og Skandic blandebatteri montert på badekarkanten	74
Hånddusj med veggfeste og Nautic ettgrepsbatterier for veggmontering	75
Nautic ettgreps badebatterier og Logic ettgrepsbatterier for veggmontering	76
Utløpstuter Bunnventiler Anslutningskoplinger Eksenterkoplinger Veggfester	77
Dusjsett	78
Faste dusjsett	79
Nordic ³ kjøkkenkran og Nautic Kjøkkenkraner	80
Logic kjøkkenkran	83
Coloric kjøkkenkran og Utekran	84
Reservedeler	85
Reservedeler sanitærporselen	87
Reservedeler møbler og øvrige	115
Reservedeler badekar og dusj	117
Reservedeler armatur	141

Alle priser er veiledende. Vi tar forbehold om endringer og eventuelle trykkfeil.



NRF. NR.	ART. NR.	SIDE	NRF. NR.	ART. NR.	SIDE	NRF. NR.	ART. NR.	SIDE
4340301	GB41216352	68	4341932	GB41215304	71, 73	4342735	GB41637363 01	165, 171
4340302	GB41214045	68	4341935	GB41215324	71	4342737	GB4163851525	69, 76, 83
4340303	GB4121915123	70	4341936	GB41205333	73	4342738	GB4163851523	69, 76, 83
4340305	GB4121915146	70	4341937	GB41215352	70	4342739	GB4163851536	69, 76, 83
4340311	GB4121915149	70	4341939	GB41215387	72	4342741	GB4163851538	69, 76, 83
4340323	GB41214934	76	4341941	GB41215604	71	4342742	GB4163852023	83
4340324	GB41214043	67	4341942	GB41215624	71		GB4163852025	69, 83
4340325	GB41214081	70	4341948	GB41214904	72	4342743	GB4163852023	69, 83
4340356	GB41214951	69	4341949	GB41214924	72	4342744	GB4163852036	69, 83
4340357	GB41214951	69	4341952	GB41632814 02	141, 149	4342745	GB4162752038	83
4340358	GB41214991	69	4341957	GB41638336 01	141		GB4163852038	69, 83
4340359	GB41214981	70	4341958	GB41632815	141, 149	4342746	GB4163852825	72, 73
4340365	GB4121905123	69	4341959	GB41638339 01	141, 143, 149	4342747	GB4163852823	72, 73
4340366	GB4121905146	69	4341962	GB41634757 01	141, 143, 147, 149, 151	4342748	GB4163852836	72, 73
4340369	GB4121905149	69	4341963	GB41636577 01	141, 143, 147, 149, 151	4342749	GB4163852838	72, 73
4340381	GB41214041	67	4342125	GB41631773	83	4342751	GB41637282 01	153, 157
4340383	GB41214141	68	4342624	GB41630184	82, 147	4342752	GB41638202	153, 165
4340384	GB41214047	67	4342625	GB41633616	77, 141, 143, 147, 149, 151	4342753	GB41637261 01	143, 147, 153, 155, 165, 167
4340386	GB4121404764	67	4342626	GB41633624	77, 141, 143, 147, 149, 151			
4340387	GB41214147	68	4342627	GB41637360 01	78, 147, 153, 165, 171	4342754	GB41633972	141, 143, 147, 153, 165, 169
4340388	GB41214085	68	4342628	GB41104053 00	78, 133, 135, 137	4342755	GB41633952 01	141, 143, 147, 149, 151
4340389	GB41213051	67	4342632	GB4163642401	77	4342756	GB41638726 01	177
4340391	GB41213043	67	4342633	GB41637161 02	77, 153, 155, 161	4342757	GB41638725 01	177
4340392	GB41213061	67			165, 167, 169	4342759	GB41638727 02	177
4340393	GB41213081	70	4342634	GB41637315	77, 149	4342761	GB41638728 01	177
4340501	GB41214071	71	4342635	GB41637804 01	78, 141, 149	4342762	GB41637562	179
4340502	GB41214145	68	4342636	GB41637810 01	78, 141, 149	4342763	GB41637560	181
4340503	GB41214185	68	4342637	GB41637840 02	78, 141, 149	4342764	GB41637564	181
4340677	GB41205361	83	4342638	GB41637450	77, 153, 161	4342765	GB41637571	181
4340692	GB41204956	83	4342639	FG079805705	75, 77	4342766	GB41638514 01	143, 155, 167, 171
4340693	GB41204996	83	4342641	GB4163594401	77	4342767	GB41638549 01	155
4340695	GB41203056	80	4342642	GB4163716002	77	4342768	GB41638220 01	153, 155, 165, 167, 169
4340696	GB41203096	80	4342643	GB4163716402	77	4342769	GB41638224 01	153, 155, 161
4340713	GB41634157	165	4342651	GB41637453	153, 161	4342771	GB41638199 01	153, 155, 165, 169
	GB41634157 01	153, 167, 169	4342653	GB41637445	69, 77, 153	4342772	GB41636457 01	155, 157, 161, 165, 169
4340714	GB41637575	75, 153, 155, 161, 163, 175	4342655	GB41103305	80	4342773	GB41638560 01	157
4340715	GB41632834	153, 165	4342656	GB41633748	80	4342775	GB41636629 01	157
4340716	GB41632633 01	153	4342659	GB41637010 01	165, 167, 169	4342779	GB41638281 01	145
4340718	GB41638453 01	153	4342661	GB41634828 01	143, 147, 151, 153, 155, 161, 165, 167, 169, 171	4342781	GB41638760	72
4340723	GB4120905523	84				4342782	GB41638283 01	145
4340724	GB4120905546	84	4342666	GB41103615	80	4342783	GB41638287 01	145
4340727	GB4120905549	84	4342669	GB41635680 01	161, 169	4342785	GB41638530 01	143
4340745	GB41205081	77, 83, 84	4342672	GB41636447 01	171	4342786	GB41638525 01	143
4340765	GB41204056	80	4342673	GB41636448 01	171	4342787	GB41638545 01	143
4340766	GB41204096	80	4342675	GB41636437 01	169	4342788	GB41638542 01	143
4340767	GB41204055	81	4342676	GB41637337 01	169	4342794	GB41215625	79
4340768	GB41204155	81	4342677	GB41637173	169	4342795	GB41215625	79
4340769	GB4120415588	81	4342682	GB41636921 01	171	4342811	GB41630151	77, 151
4340771	GB41204095	82	4342683	GB41636920 01	171	4342815	GB41630191	77, 151
4340772	GB41204195	82	4342684	GB41636465 01	145, 149	4342819	GB41630194	77, 151
4340773	GB4120419588	82	4342685	GB41636460 01	145, 149	4342834	GB41630199	77
4340778	GB41204057	81	4342686	FG0640841	173	4342868	GB41633614	77, 82, 141, 143, 147, 149, 151
4340779	GB41204097	81	4342687	GB41636596 00	75, 177			
4340781	GB41204958	83	4342688	GB41636597 44	177	4342877	GB41633632	76, 77, 141, 143, 147, 149, 151
4340782	GB41204998	83	4342689	GB41636598 00	177			
4340904	GB4121900423	74	4342691	GB41636599 00	177	4342878	GB41633633	77, 141, 143, 147, 149, 151
4340905	GB4121900446	74	4342692	GB41634078 01	149	4342879	GB41633631	76, 77, 141, 143, 147, 149, 151
4340914	GB4121900449	74	4342699	GB4110339023	78			
4340941	GB41214004	75	4342701	GB4110339046	78	4342895	GB41633651	169
4340943	GB41214014	75	4342704	GB4110339049	78	4342896	GB41103250	78
4340944	GB41214024	75, 82	4342706	GB41637577	181	4342905	GB41636820	73, 76, 77
4340945	GB41214023	76	4342712	GB41103216	80	4342911	GB41634610	169
4340946	GB41214033	76	4342713	GB41637270 01	153, 161	4342917	GB41635270	77
4340947	GB41214035	76	4342714	GB41638358 01	163	4342926	GB41637418	163
4340995	GB41214933	73	4342715	GB41638361 02	163	4342931	GB41103225	79
4341163	GB41214264	82	4342716	GB41638450	165, 167, 169	4342932	GB41103220	79
4341165	GB41214245	68	4342717	GB41637387 01	141, 143, 145, 147, 163	4342933	GB41638464	79, 179
4341166	GB4121404564	67	4342718	GB41637389 02	163	4342934	GB41638465	179
4341885	GB4121920423	73	4342719	GB41637393	163, 171	4342935	GB41638466	179
4341886	GB4121920446	73	4342721	GB41637406	163, 171	4342936	GB41638467	179
4341889	GB4121920449	73	4342722	GB41637407	163, 171	4342937	GB41638468	179
4341892	GB4121922423	73	4342723	GB41637410	145, 163	4342938	GB41638469	179
4341893	GB4121922446	73	4342724	GB41637415	163, 171	4342939	GB41638470	179
4341899	GB4121922449	73	4342725	GB41637416	145, 163	4342941	GB41638472	179
4341901	GB4121922323	74	4342726	GB41638334 01	141, 143, 145, 165, 169	4342942	GB41638457	78
4341902	GB4121922346	74	4342732	GB41638374 01	165, 169	4342944	GB41637584 01	181
4341906	GB4121922349	74	4342734	GB41637320	175	4342954	FG0105060	84



NRF. NR.	ART. NR.	SIDE	NRF. NR.	ART. NR.	SIDE	NRF. NR.	ART. NR.	SIDE
4342955	FG0105070	84	4343344	GB41632625 01	153, 161	6020133	53939RR1	29
4342956	FG0105061	84	4343347	GB41636617 01	151, 161, 169, 171	6020134	53939L01	29
4342969	FG0640560	173	4343348	GB41635617 01	171	6020135	53939LR1	29
4342975	GB41630197	77, 151	4343353	GB41636246 01	169	6020143	51699901	31, 44, 47
4342976	GB41630198	77	4343357	GB41636655 01	161	6020144	516999R1	31, 44, 47
4342977	GB41630196	77, 151	4343358	GB41636654 01	161, 171	6020145	51719901	31, 45, 47
4342981	GB41630770	77	4343359	GB41636912 01	161	6020146	517199R1	31, 45, 47
4342991	GB41635430 01	151, 161, 169, 171	4343362	GB41636359 01	141, 143, 147, 149, 151	6020147	51889901	31, 45, 47
4342994	GB4110301723	78	4343363	GB41634756 01	141, 143, 147, 151	6020148	518899R1	31, 45, 47
4343014	GB41634628 6101	171	4343366	GB41637250	78, 147, 153, 165, 171	6020149	GB108602R161	32
4343015	GB41634628 6201	171	4343367	GB41637267 01	143, 147, 153, 155, 165, 167, 171	6020157	GB108603R161	32
4343051	GB41636395 01	171				6020201	55409R01	25
4343054	GB41636575 01	67-70, 77, 153	4343368	GB41637347	141, 143, 147, 149	6020202	55409RR1	25
4343055	GB41630305	77, 153	4343369	GB43000021 01	153, 155, 157, 161, 163, 165, 167, 169	6020203	55409L01	25
4343059	GB41635678 8701	151, 161, 169, 171				6020204	55409LR1	25
4343061	GB41636479 01	149	4343451	GB41633560	173	6020205	55409701	25
4343062	GB41636480 01	149	4343681	GB41215325	79	6020206	554097R1	25
4343065	GB41635633 02	141, 143, 145, 149	4343682	GB41215320	79	6020207	55509901	25, 37
4343068	GB41634119	161	4343801	GB41636254 00	175	6020208	555099R1	25, 37
4343071	FG0115080	77	4343802	GB41636255 00	175	6020209	55509701	25, 37
4343076	FG0115050	77	4343803	GB41636261 00	175	6020211	555097R1	25
4343084	FG0640835	173	4343804	GB41636263 00	153, 155, 161, 163, 165, 169	6020212	55509801	25, 37
4343085	FG0640836	173				6020213	555098R1	25
4343086	FG0640837	173	4343805	GB41636264 44	175	6020214	55509M01	25, 37
4343088	FG0105062	84	4343807	GB41636256 00	175	6020215	55509MR1	25
4343096	GB41632698 02	141, 143, 145, 149	4343808	GB41636257 00	175	6020216	55569901	25
4343101	FG0115060	77	4343809	GB41636265 00	175	6020217	555699R1	25
4343102	FG0115061	77	4343811	GB41636266 00	75, 175, 177, 179	6020218	55569701	25
4343103	FG0115062	77	4343812	GB41636264 00	175	6020219	555697R1	25
4343104	FP636142	77	4343826	GB41634784 00	177	6020221	55569801	25
4343115	GB4163176502	77	4346741	GB41636447 01	161, 169	6020222	555698R1	25
4343118	GB41634525	77	4346742	GB41636448 01	161, 169	6020223	55569M01	25
4343121	GB41633860 33	153, 155, 161, 163, 165, 169	4346745	GB41636920 01	161	6020224	55569MR1	25
4343122	GB41633863 33	165, 169	4346746	GB41636921 01	161	6020225	55569901	26
4343123	GB41634555 01	141, 143, 147, 149, 151	5080015	FG0640857	84	6020226	556099R1	26
4343124	GB41634799 0001	149, 151	5080086	FG032033420	165, 169	6020227	55609701	26
4343125	GB41634834	169	5080093	FG032033520	153, 165, 169	6020228	556097R1	26
4343126	GB41636326 01	151, 161, 169	5080123	FG032033520	163	6020229	55609801	26
4343127	GB41636337 01	161, 171	6020007	GB1561479801	32	6020231	556098R1	26
4343141	GB41102817	83	6020008	GB1571279901	32	6020232	55609M01	26
4343142	GB41634621 01	171	6020016	7G285301	32	6020233	55609MR1	26
4343144	GB41634680 01	171	6020017	7G286001	32	6020234	55659901	26
4343154	GB41635410 01	171	6020019	GB1074010112	33	6020235	556599R1	26
4343161	GB41634650 01	171	6020021	GB157119600113	33	6020236	55659701	26
4343166	GB41634470 01	151, 161, 169	6020025	GB157119610105	33	6020237	556597R1	26
4343175	GB41636440 01	169	6020027	GB1573279801	33	6020238	55659801	26
4343177	GB41633858	165, 169	6020028	GB157119990110	33	6020239	556598R1	26
4343188	GB41635762 3301	153, 155, 165, 167, 169	6020043	GB1074010102	33	6020241	55659M01	26
4343189	GB41635790 01	77, 80-82, 153, 165, 169	6020044	GB1074010101	33	6020242	55659MR1	26
4343196	GB41633877 01	151, 161, 169, 171	6020054	GB114450R101	28	6020243	55709901	26
4343209	GB41633861 25	165, 169	6020055	GB114550R101	28	6020244	557099R1	26
4343211	GB41633513 01	151, 161, 169	6020056	GB114600R101	28	6020245	55709701	26
4343213	GB41633971 02	153, 165, 169	6020057	GB114650R101	28	6020246	557097R1	26
4343216	GB41632731 02	151, 169	6020058	GB114551R101	28, 41	6020247	55709801	26
4343217	GB41636302 02	161	6020059	GB114601R101	28	6020248	557098R1	26
4343218	GB41632952	165	6020064	GB1059020101	31	6020249	55459901	26
	GB41632952 01	169	6020069	GB1059056101	31	6020251	554599R1	26
4343241	GB41630131 01	141, 143, 147, 149, 151, 153, 159, 161, 161, 163, 165, 169	6020088	GB1086020161	32	6020252	55459801	26
			6020089	GB1086030161	32	6020253	554598R1	26
4343242	GB41630129 01	147, 151, 165, 169	6020092	GB157119630110	33	6020254	55559901	26
4343243	GB41638218 01	153	6020111	GB1145500101	28	6020255	555599R1	26
4343271	GB41633505 01	173	6020112	GB1145510101	28, 41	6020256	55559801	26
4343272	GB41633506 01	173	6020113	GB1144500101	28	6020257	555598R1	26
4343273	FG0640548	173	6020114	GB1146500101	28	6020258	55629901	27, 38
4343275	FG0640782	173	6020115	GB1146000101	28	6020259	556299R1	27
4343286	GB41633510 01	173	6020117	GB1146010101	28	6020261	55629801	38
4343292	GB41634769 01	149	6020121	51939901	30		556298R1	27
4343294	GB41634768 01	149	6020122	519399R1	30	6020262	556298R1	27
4343295	GB41634045 01	149	6020123	51949901	30	6020265	55929901	27, 38
4343314	GB41634035 01	141, 149	6020124	519499R1	30	6020266	559299R1	27
4343319	GB41637280 01	153, 161, 163	6020125	51979R01	29	6020267	55929801	27, 38
4343325	GB41634140 3301	169	6020126	51979RR1	29	6020268	559298R1	27
4343335	GB41634210	77, 147, 149, 151	6020127	51979L01	29	6020272	55129901	27, 39
4343336	GB41634719 01	173	6020128	51979LR1	29	6020273	551299R1	27
4343337	GB41632863 01	161	6020129	51989901	29	6020274	55129801	27, 39
4343341	GB43000014 10	153, 155, 157, 161, 163, 165, 167, 169	6020131	519899R1	29	6020275	551298R1	27
			6020132	53939R01	29	6020702	GB1149200100	29

NRF. NR. INDEKS



NRF. NR.	ART. NR.	SIDE	NRF. NR.	ART. NR.	SIDE	NRF. NR.	ART. NR.	SIDE
6020703	GB1129200100	27, 30	6023647	GB115522301203	17	6025642	GB1921102022	23
6020706	GB1019400100	32	6023648	GB1155223R1205	17	6025643	GB1921102024	22
6020711	52959901	27, 30	6023649	GB115522601203	17	6025644	GB1921102025	22
6021126	GB1149300100	29	6023651	GB1155226R1205	17	6025645	GB1921102050	22
6021127	GB1129300100	27, 30	6023658	GB1043900101	93	6025646	GB1921102051	22
6021128	GB1149310100	29	6023661	GB1043920101	93	6025647	GB1921102052	22
6021222	41005001	25	6023662	GB1043930101	93	6025648	GB1921102053	22
6021223	41005501	25	6023663	GB1043940101	93	6025649	GB1921102054	22
6021905	GB41103880 00W	34	6023664	GB1043950101	93	6025651	GB1921102060	22
6021907	GB41103880 00L	34	6023666	GB1823200R1200	91	6025652	GB1921102061	22
6021909	94281061	33	6023668	GB1823400R1200	91	6025653	GB1921102066	22
6021912	GB1922100802	115	6024327	GB1042060101	101	6025654	GB1921102067	22
6021913	87070000	32	6024332	GB1042300101	99	6025655	GB1921102080	23
6022296	GB115500201201	13	6024339	GB1042640101	99	6025656	GB1921102081	23
6022297	GB115591201201	13	6024346	GB1042900101	93	6025657	GB1921102085	23
6022298	GB1115002R1331G	14	6024962	GB19299K1931	91	6025658	GB1921102086	23
6022601	GB115546201201	13	6024963	GB19299T1929	99	6025659	GB1921102092	22, 23
6022602	GB115510201201	13	6024964	GB19299T2800	99	6025661	GB1921102100	34
6022909	GB113500301203	13	6024965	GB8193B901	97	6025662	GB8830700001	16
6022911	GB1030510152	15	6024972	GB1041060100	101	6025663	GB8830701001	16
6022914	GB114300301231	14	6024976	GB1929900338	99	6025664	GB8830709101	16
6022915	GB114310301231	14	6025351	GB1921101171	113	6025665	GB1921100390	111
6022916	GB114330201231	17	6025353	GB1929901991	91	6025666	GB1921100391	111
6022922	GB1039436103	15	6025404	9M11S136	19	6025667	GB1921100392	111
6022924	GB1033930102	17	6025405	GB1919902065	20, 91	6025668	GB1921100393	111
6022925	GB1033920104	17	6025406	GB1919900910	20, 101	6025669	GB19299NV036	14, 16, 87
6022926	GB113510301203	13	6025407	GB1919901286	20, 101	6025671	GB1911101291	91
6022928	GB1039820102	15	6025408	GB1929900227	20	6025674	GB1921102028	109
6022929	GB1143003R1231	14	6025411	GB1929900226	20, 103	6025675	GB1929900503	16, 91, 95
6022932	GB1143302R1231	17	6025412	GB1919901702	20, 93	6025677	92207401	87, 91, 95
6022955	GB115546301203	13	6025414	GB1919901950	20, 93	6025681	GB41635960	93
6022956	GB1155463R1204	13	6025415	GB1919901900	20, 103	6025682	GB1043390101	93
6022957	GB115546601203	13	6025419	GB1919901601	20, 99	6025683	GB1043910101	93
6022958	GB1155466R1205	13	6025421	GB1919901201	20, 93	6025684	GB1919901839	91
6022959	GB1155006R140P	13	6025425	9M246101	18, 87	6025685	GB1043930191	93
6022963	GB1039020102	14	6025426	9M256101	18, 87	6025686	GB1929901545	93, 99
6022964	GB1039220102	15	6025427	9M265101	18, 87	6025687	GB19299U2940	99
6022984	GB1039830104	15	6025428	9M265136	18, 87	6025688	GB41635959	93
6022997	5G84R001	18	6025429	GB88306001	21	6025689	92242500	87
6022998	5G84HR01	18	6025431	GB88306004	21	6025699	GB1929900310	93
6023001	56939901	17	6025432	GB88306015	21	6025701	GB1927634600	16, 91
6023002	569399R1	17	6025434	GB88306036	21	6025704	GB1927569710	16, 91
6023007	GB19211000510	16, 17	6025456	9M646101	18, 89	6025705	GB88305100	21
6023008	GB1921100398	109, 111	6025507	GB1919902055	20, 91	6025711	GB1043970101	93
6023011	GB115500301203	13	6025508	9M165101	19, 95	6025727	GB1921101191	113
6023012	GB1155003R1204	13	6025509	9M165136	19, 95	6025728	GB1921101188	113
6023013	GB115500301203G	13	6025511	9M11S101	19	6025729	GB1921101178	113
6023016	GB115500601203	13	6025512	GB1919901966	20	6025737	GB1921102010	113
6023017	GB1155006R1204	13	6025513	GB1919901610	20	6025738	GB1921102011	113
6023018	GB115500601203G	13	6025514	GB1919901960	20	6025739	GB1921102012	113
6023021	GB115510301203	13	6025517	9M016101	19, 97	6025741	GB1921102013	113
6023022	GB1155103R1203	13	6025557	GB1929900344	99	6025744	GB1921102016	113
6023023	GB1155103R123R	13	6025601	GB19299P0100	87	6025745	GB1921102017	113
6023024	GB115510601203	13	6025602	GB19299P0101	87	6025746	GB19299P0109	14, 87
6023025	GB115591301203	13	6025603	GB19299P0102	87	6025747	GB19299P0111	14, 87
6023026	GB1155913R1203	13	6025604	GB19299P0103	87	6025748	GB19299P0108	14, 87
6023027	GB115591601203	13	6025605	GB19299P0105	87	6025749	GB19299P0110	14, 87
6023028	GB1155916R1203	13	6025606	GB19299P0106	87	6025752	GB1921100111	109, 113
6023034	GB115530001000	17	6025611	GB88305101	21	6025756	GB1042980101	93
6023035	GB1155300R1000	17	6025614	GB19299P0112	14, 87	6025757	GB1921102003	113
6023601	GB1823000R1200	91	6025615	GB19299P0113	14, 87	6025758	GB88306000	87
6023602	GB1823100R1200	91	6025616	GB19299P0114	87	6025759	GB88306051	91
6023603	GB182350001200	91	6025617	GB19299P0116	87	6025793	GB19299U2937	93
6023609	GB1823500R1200	91	6025619	GB185580001200	87	6025798	GB19299KT959	91
6023611	GB1043050101	301	6025622	92226100	87	6025803	GB1921100095	113
6023612	7G061001	18	6025626	GB1921100394	22, 109, 111	6025807	GB19299T1956	91, 93, 99
6023613	GB113530001000	17	6025627	GB1921100395	111	6025808	GB19299T1951	91, 93, 99
6023614	GB115522201203	17	6025628	GB88301801	21	6025812	GB19299TK962	87, 91, 95, 97, 99
6023621	GB1043300101	99	6025631	GB1919901845	91, 97	6025813	GB19299TK960	91, 95, 97, 99
6023623	GB1043340101	99	6025632	GB19299S1931	91	6025815	GB19299K1956	91
6023629	GB182391001200	91	6025633	GB1929900365	91, 97	6025816	GB19299K1951	91
6023641	GB185500001200	87	6025634	GB1929900168	91, 97	6025831	GB19299TK961	91, 95, 97, 99
6023642	GB1855000R1200	87	6025636	GB88305500	21	6025833	GB1929903410	87, 91, 97
6023643	GB185510001200	87	6025637	GB88305501	21	6025834	GB1929900312	91, 93
6023644	GB1855100R1200	87	6025638	GB1921100396	111	6025835	GB1929900021	87, 91, 93
6023645	GB185520001200	87	6025639	GB1921100397	111	6025836	GB1929900325	91, 93, 99
6023646	GB1855200R1200	87	6025641	GB1921102021	22	6025837	GB1919901212	91



NRF. NR.	ART. NR.	SIDE	NRF. NR.	ART. NR.	SIDE	NRF. NR.	ART. NR.	SIDE
6025838	GB1919901834	91	6026201	GB1929900211	105	6030257	GB2082570100	58
6025839	GB19299U1931	93	6026212	GB1929900260	93, 99, 103, 105	6030258	GB2082580100	59
6025842	GB1923100802	93, 115	6026213	GB1929900244	105	6030259	GB208B231500	57-59
6025844	GB1929900345	99		GB1929900260	101	6030264	GB2063680101	56
6025845	GB1929900347	93, 99, 103	6026221	GB1929900291	105	6030265	GB41217143	59, 74
6025846	GB1929900356	99	6026244	GB1929900228	107	6030266	GB41638390	59, 74
6025847	GB1929900381	87, 95, 99	6026247	GB1929900229	107	6030267	U90600361	59, 74
6025848	GB1929901244	103	6026262	GB1929900233	107	6030268	U9009063000	59
6025849	GB1911101281	93	6026266	GB1929900058	103	6030273	GB2063160101	55
6025851	GB1919901832	99	6026282	GB1929900330	107	6030276	GB2063160001	55
6025855	GB1929903411	99	6026366	GB1929900208	103	6030277	GB2063680001	56
6025856	GB1921100081	113	6026373	GB1929900209	93, 99, 103	6030461	GB2063685601	56
6025857	GB1921100082	113	6026389	GB1929900324	93	6030462	GB2063165601	55
6025858	GB1921100083	113	6026411	GB1929900236	101, 105	6030552	GB2929970004	117
6025861	GB1921100094	113	6026414	GB1929900237	101, 105	6030553	GB2929900174	117
6025862	GB1921100098	113	6026421	GB1929900238	101, 105	6031115	GB2170130100	51
6025863	GB1921100099	113	6026511	GB1929901453	101	6031116	GB2170140100	51
6025865	GB1921100122	113	6026518	GB1919901830	103	6031117	GB2170150100	51
6025868	GB1921100107	113	6026519	GB1919901831	93	6031118	GB2170160100	52, 53
6025871	GB1921100110	113	6026525	GB1929900217	101, 103, 105	6031119	GB2170170100	54
6025873	GB1921100114	113	6026527	GB1929900319	91, 93, 97, 103, 105	6031127	GB2170100100	54
6025874	GB1921100115	113	6026543	GB1929900315	103	6031135	GB2175100100	54
6025875	GB1921100116	113	6026545	GB1929900316	101	6031136	GB2175130100	51
6025877	GB1921100118	113	6026555	GB1929900320	91, 93, 97	6031137	GB2175140100	51
6025882	GB19299T2951	91, 95, 97, 99	6026568	GB1929900337	99	6031138	GB2175150100	51
6025883	GB19299T2952	91	6026581	GB1929900282	93, 99, 103	6031139	GB2175160100	52, 53
6025884	GB19299T2953	91, 95, 97, 99	6026591	GB1929900283	93	6031145	GB2160130100	51
6025885	GB19299T2954	91	6026592	GB1929900361	93	6031146	GB2160140100	51
6025887	GB19299T2956	91, 95, 97, 99	6026755	GB88170401	34	6031147	GB2160150100	51
6025889	GB19299T2958	91	6026758	GB88170701	34	6031148	GB2160160100	52, 53
6025893	GB1929901972	89, 91, 93, 95, 97, 99, 103	6026759	GB88170801	34	6031155	GB2165130100	51
6025895	GB1929901979	91, 93, 95, 97, 99, 103	6026763	GB88171101	21	6031156	GB2165140100	51
6025896	GB1929901974	91, 93, 101, 103	6026764	GB88171201	21	6031157	GB2165150100	51
6025898	GB1929901976	101	6026765	GB88171301	21	6031158	GB2165160100	52, 53
6025901	GB1929900500	95	6026766	GB88171401	21	6031159	GB2165700100	51-53
6025902	GB1929900502	95, 97	6026767	GB88171501	21	6031162	GB2175170100	54
6025903	GB1929900503	87, 97	6026769	GB88171701	21	6031163	GB2175650100	54
6025904	GB1929900504	95	6028604	GB1141000100	24	6031164	GB2175700100	51-54
6025905	GB1929900505	95	6028605	GB1141300100	24	6031194	GB2162130100	51
6025906	GB184200001200	95	6028607	GB114100R100	24	6031195	GB2162140100	51
6025908	GB184310001200	95	6028608	GB114130R100	24	6031196	GB2162150100	51
6025916	GB1919901835	95	6028611	55989901	24	6031197	GB2162160100	52, 53
6025917	GB1843100R1200	95	6028612	559899R1	24	6031713	GB2929920001	117
6025918	GB1921101408	95	6028613	55999901	24	6031715	GB2929900228	117
6025922	GB1929900332	105	6028614	559999R1	24	6031722	GB2924300155	57-59, 117
6025923	GB1929900239	101, 105	6028621	93260000	24	6031723	GB2924300156	57-59, 117
6025924	GB1929900506	97	6030004	7G500001	24	6031732	GB2924300164	55, 56
6025926	GB1921102020	22	6030005	7G510001	24	6031734	GB2924300166	119
6025927	GB1921102027	22, 23	6030037	99320000	24	6031735	GB2929970001	117
6025928	GB1921102029	22, 23	6030038	99330000	24	6031736	GB2929970002	117
6025929	GB1921102030	22	6030129	GB2929900175	117, 121	6031737	GB2929970003	119
6025931	GB1921102031	22	6030157	GB2929900110	117	6031825	GB2924300160	119
6025932	GB1921102032	22	6030201	GB2110510100	54	6031841	GB2929900037	117
6025933	GB1921102035	22	6030203	GB2113000100	51	6031842	GB2921200358	55, 56
6025934	GB1921102036	22	6030204	GB2114000100	51	6031843	GB2921200359	55, 56
6025935	GB1921102037	22	6030207	GB2115000100	51	6031844	GB2921200353	55, 56
6025936	GB1921102040	22	6030208	GB2115700100	52	6031865	GB2929900115	117, 121
6025938	GB1921102042	22	6030209	GB2116000100	52	6031868	GB2929900117	121
6025939	GB1921102045	22	6030215	GB2116030100	53	6031874	GB2929900048	119
6025942	GB1921102047	22	6030217	GB2117000100	54	6031881	GB2929900041	121
6025943	GB1921100370	109, 111	6030221	GB2116070100	53	6031891	GB2929900118	121
6025944	GB1921100371	109, 111	6030222	GB2117070100	54	6031903	GB2929900119	121
6025945	GB1921100372	109, 111, 113	6030232	GB2115710100	55	6031909	GB2929900120	121
6025946	GB1921100373	109, 111, 113	6030233	GB2110160100	55	6031935	GB2929900172	117, 119
6025947	GB1921100375	109, 111	6030234	GB2170163800	52, 53	6031952	GB2929900112	117
6025948	GB1921100376	109	6030235	GB2170163600	52, 53	6032809	GB1923101721	117
6025949	GB1921100377	109	6030236	GB2170165600	52, 53	6090202	GB182300001200	91
6025951	GB1921100378	109	6030246	GB2083400100	57	6090203	GB182310001200	91
6025952	GB1921100379	109	6030247	GB2083500100	57	6090204	GB182320001200	91
6025953	GB1921100380	109, 111, 113	6030248	GB2083600100	57	6090205	GB182340001200	91
6025954	GB1921100381	109, 111, 113	6030249	GB2083970100	57	6092501	GB182200001200	91
6025955	GB1921100382	109, 111, 113	6030251	GB2081220100	57	6096502	8780G101	18, 89
6025956	GB1921100383	109, 111	6030252	GB2081380100	58	6096503	GB1919902002	20, 91
6025957	GB1921100384	109, 111	6030253	GB2083410100	58	6096504	GB1919902070	20, 91
6025958	GB1921100385	109, 113	6030254	GB2083411100	58	6096505	GB1919901211	20, 91
6025959	GB1921100386	109, 111, 113	6030255	GB2086830100	58	6301543	UPGUYDG262-337	63
6025961	GB1921100387	109	6030256	GB2086831100	58	6301552	UDW0080NAU221LN-01	61

NRF. NR. INDEKS



NRF. NR.	ART. NR.	SIDE	NRF. NR.	ART. NR.	SIDE	NRF. NR.	ART. NR.	SIDE
6301553	UDW0080NAU221RN-01	61	7031066	GB71189000DH	45	7031379	GB71A904CWDH	38
6301554	UDW0090NAU221LN-01	61	7031067	GB71189000EL	45	7031381	GB71A905AGDH	39
6301555	UDW0090NAU221RN-01	61	7031069	GB71181200AG	45	7031382	GB71A905GBDH	39
6301556	UDW0100NAU221LN-01	61	7031071	GB71181200DH	45	7031383	GB71A905CWDH	39
6301557	UDW0100NAU221RN-01	61	7031072	GB71181200EL	45	7031384	A66600GB	38
6301562	UDW0080NAU221LN-61	61	7031077	GB71181000EL	46	7031385	A66500GB	38
6301563	UDW0080NAU221RN-61	61	7031079	GB71182000EL	46	7031386	A66400GB	39
6301564	UDW0090NAU221LN-61	61	7031081	GB71187000EL	46	7031387	GB71A673GBDH	40
6301565	UDW0090NAU221RN-61	61	7031082	GB711800001A	44, 45, 46	7031388	GB71A674GBDH	40
6301566	UDW0100NAU221LN-61	61	7031083	GB711800001B	45, 46	7031389	GB71A671GBDH	39
6301567	UDW0100NAU221RN-61	61	7031084	GB711800001C	44, 45	7031391	GB71A672GBDH	39
6301576	UDW0080NAU222LN-01	62	7031085	GB7118806000	49	7031392	A40260AG	40
6301577	UDW0080NAU222RN-01	62	7031086	GB7118809000	49	7031393	A40260GB	40
6301578	UDW0090NAU222LN-01	62	7031087	GB7118801200	50	7031394	A40290AG	40
6301579	UDW0090NAU222RN-01	62	7031089	GB4110382200	35	7031395	A40290GB	40
6301581	UDW0100NAU222LN-01	62	7031091	GB4110382300	35	7031397	GB7118620100	47
6301582	UDW0100NAU222RN-01	62	7031093	GB4110382700	35	7031398	GB7118920100	47
6301591	UDW0080NAU222LN-61	62	7031095	GB4110383000	35	7031399	GB7118220100	47
6301592	UDW0080NAU222RN-61	62	7031097	GB4110383900	35	7031401	GB7118620001	47
6301593	UDW0090NAU222LN-61	62	7031117	GB7118600036	44	7031402	GB7118920001	47
6301594	UDW0090NAU222RN-61	62	7031118	GB7118600038	44	7031403	GB7118220001	47
6301595	UDW0100NAU222LN-61	62	7031119	7118900036	45	7031404	GB71186200WG	47
6301596	UDW0100NAU222RN-61	62	7031121	GB7118900038	45	7031405	GB71189200WG	47
6301605	UDW0080SKA201LN-61	63	7031122	GB7118120036	45	7031406	GB71182200WG	47
6301606	UDW0080SKA201RN-61	63	7031123	GB7118120038	45	7031407	GB7118700001	48
6301607	UDW0090SKA201LN-61	63	7031124	GB7118100036	46	7031408	GB71187000WG	48
6301608	UDW0090SKA201RN-61	63	7031125	GB7118100038	46	7031409	GB7118826001	48
6301609	UDW0100SKA201LN-61	63	7031126	GB7118200036	46	7031414	GB7118100001	48
6301611	UDW0100SKA201RN-61	63	7031127	GB7118200038	46	7031415	GB71181000WG	48
6301619	UDW0080SKA200LN-61	63	7031128	GB7118700036	46	7031485	GB7118920001	42
6301621	UDW0080SKA200RN-61	63	7031129	GB7118700038	46	7031486	GB7148C192E	42
6301622	UDW0090SKA200LN-61	63	7031131	GB7118710100	46, 48	7031487	GB7148C320E	42
6301623	UDW0090SKA200RN-61	63	7031141	GB7118829001	49	7031488	GB7148A128F	42
6301624	UDW0100SKA200LN-61	63	7031142	GB7118806011	49	7031489	GB7148A192F	42
6301625	UDW0100SKA200RN-61	63	7031143	GB7118809011	49	7031491	GB7148A320F	42
6301626	UDW0080SKA100W-61	63	7031144	GB7118801211	50	7031492	GB7148C192G	42
6301628	UDW0090SKA100W-61	63	7031195	GB7118100100	46, 48	7031493	GB7148A192G	42
6301631	UDW0100SKA100W-61	63	7031197	GB71181000DH	46	7031494	GB711800001D	47, 48
6301633	UDW0070LOG170W-61	65	7031206	GB7118200100	46	7031495	GB711800001E96	47, 48
6301635	UDW0080LOG170W-61	65	7031208	GB71182000DH	46	7031496	GB711800001E128	47, 48
6301639	UPGUHWP-01	61, 62	7031212	GB7118700100	46, 48	7031497	GB711800001E160	47, 48
6301641	UPGUHWP-61	61, 62	7031214	GB71187000DH	46	7031498	GB714860B00000	41
6301993	GB41634002	65, 77	7031218	GB7118356001	49	7031499	GB714860N00000	41
6302991	GB1563219901	33	7031221	GB71185001R00	44	7031501	GB714860DH0000	41
6302992	GB1563229901	33	7031222	GB71185001L00	44	7031502	GB714875B00000	41
6318315	UDW8080NOC120W-61	64	7031278	GB71A673CWDH	40	7031503	GB714875N00000	41
6318316	UDW8080NOC185W-61	64	7031279	GB71A673AGDH	40	7031504	GB714875DH0000	41
6318317	UDL0805NOC1W-01	64	7031283	GB71A674CWDH	40	7031505	GB714810B00000	41
6318318	UDW9090NOA120W-61	64	7031284	GB71A674AGDH	40	7031506	GB714810N00000	41
6318319	UDW9090NOC185W-61	64	7031287	GB71A671CWDH	39	7031507	GB714810DH0000	41
6318325	UDL0905NAC4W-01	135	7031288	GB71A671AGDH	39	7031508	GB714815B00000	41
	UDL0905NOA1W-01	64, 133	7031292	GB71A672CWDH	39	7031509	GB714815N00000	41
6318326	UDW8080NOC120W-01	64	7031293	GB71A672AGDH	39	7031511	GB714815DH0000	41
6318327	UDW8080NOC185W-01	64	7031296	A66600AG	38	7031512	GB714870B000BO	42
6318328	UDW9090NAC120W-01	64	7031299	A66500AG	38	7031513	GB714870N000NO	42
6318338	UDW9090NAC164W-01	64	7031303	A66400AG	39	7031514	GB714870DH00DH	42
6318339	UDW9090NAC185W-01	64	7031307	A67240FJ	39, 40	7031515	GB71488860BO	42
6318345	UDL0905NAC4W-01	64	7031309	A67240FK	39, 40	7031516	GB71488860NO	42
6318346	UDW9090NAC164W-61	64	7031311	A67240FL	39, 40	7031517	GB71488860DH	42
6318347	UDW9090NAC185W-61	64	7031329	A67260FJ	38	7031518	GB71488875BO	42
7031002	GB7118000004	44, 45	7031332	A67260FK	38	7031519	GB71488875NO	42
7031018	GB71183160AG	49	7031333	A67260FL	38	7031521	GB71488875DH	42
7031019	GB8128000100	115	7031335	A67290FJ	38	7031522	GB71488810BO	43
7031022	GB8118000002	115	7031337	A67290FK	38	7031523	GB71488810NO	43
7031024	GB7118824600	49	7031338	A67290FL	38	7031524	GB71488810DH	43
7031025	GB7118002200	49	7031341	A67212FJ	39	7031525	GB71488815BO	43
7031035	GB8148300001	115	7031343	A67212FK	39	7031526	GB71488815NO	43
7031043	GB7118600100	44	7031344	A67212FL	39	7031527	GB71488815DH	43
7031044	GB7118900100	45	7031365	B0015000	38	7031531	GB71B03300E4	37
7031045	GB7118120100	45	7031366	B0015100	38	7031532	GB71B03300E9	37
7031046	GB7118600201	44	7031367	B00152	39	7031533	GB71A47900E4	37
7031047	GB7118900201	45	7031371	A90000AG	37	7031534	GB71A47900E9	37
7031048	GB7118120201	45	7031374	GB71A903AGDH	38	7031535	GB71B032E4WB	37
7031061	GB71186000AG	44	7031375	GB71A903GBDH	38	7031536	GB71B032E9WB	37
7031062	GB71186000DH	44	7031376	GB71A903CWDH	38	7031537	GB71B032E4WBH	37
7031063	GB71186000EL	44	7031377	GB71A904AGDH	38	50800093	FG032033520	155
7031065	GB71189000AG	45	7031378	GB71A904GBDH	38			



ART. NR.	NRF. NR.	SIDE	ART. NR.	NRF. NR.	SIDE	ART. NR.	NRF. NR.	SIDE
41005001	6021222	25	55659MR1	6020242	26	FG0105061	4342956	84
41005501	6021223	25	55709701	6020245	26	FG0105062	4343088	84
51699901	6020143	31, 44, 47	557097R1	6020246	26	FG0105070	4342955	84
516999R1	6020144	31, 44, 47	55709801	6020247	26	FG0115050	4343076	77
51719901	6020145	31, 45, 47	557098R1	6020248	26	FG0115060	4343101	77
517199R1	6020146	31, 45, 47	55709901	6020243	26	FG0115061	4343102	77
51889901	6020147	31, 45, 47	557099R1	6020244	26	FG0115062	4343103	77
518899R1	6020148	31, 45, 47	55929801	6020267	27, 38	FG0115080	4343071	77
51939901	6020121	30	559298R1	6020268	27	FG032033420	5080086	165, 169
519399R1	6020122	30	55929901	6020265	27, 38	FG032033520	5080093	153, 165, 169
51949901	6020123	30	559299R1	6020266	27		5080123	163
519499R1	6020124	30	55989901	6028611	24		50800093	155
51979L01	6020127	29	559899R1	6028612	24	FG0640548	4343273	173
51979LR1	6020128	29	55999901	6028613	24	FG0640560	4342969	173
51979R01	6020125	29	559999R1	6028614	24	FG0640782	4343275	173
51979RR1	6020126	29	56939901	6023001	17	FG0640835	4343084	173
51989901	6020129	29	569399R1	6023002	17	FG0640836	4343085	173
519899R1	6020131	29	5G84HR01	6022998	18	FG0640837	4343086	173
52959901	6020711	27, 30	5G84R001	6022997	18	FG0640841	4342686	173
53939L01	6020134	29	7118900036	7031119	45	FG0640857	5080015	84
53939LR1	6020135	29	7G061001	6023612	18	FG079805705	4342639	75, 77
53939R01	6020132	29	7G285301	6020016	32	FP636142	4343104	77
53939RR1	6020133	29	7G286001	6020017	32	GB1019400100	6020706	32
55129801	6020274	27, 39	7G500001	6030004	24	GB1030510152	6022911	15
551298R1	6020275	27	7G510001	6030005	24	GB1033920104	6022925	17
55129901	6020272	27, 39	87070000	6021913	32	GB1033930102	6022924	17
551299R1	6020273	27	8780G101	6096502	18, 89	GB1039020102	6022963	14
55409701	6020205	25	92207401	6025677	87, 91, 95	GB1039220102	6022964	15
554097R1	6020206	25	92226100	6025622	87	GB1039436103	6022922	15
55409L01	6020203	25	92241361		87	GB1039820102	6022928	15
55409LR1	6020204	25	92241461		87	GB1039830104	6022984	15
55409R01	6020201	25	92241961		89	GB1041060100	6024972	101
55409RR1	6020202	25	92242001		87	GB1042060101	6024327	101
55459801	6020252	26	92242400		87	GB1042300101	6024332	99
554598R1	6020253	26	92242500	6025689	87	GB1042640101	6024339	99
55459901	6020249	26	93260000	6028621	24	GB1042900101	6024346	93
554599R1	6020251	26	93270000	6028622	24	GB1042980101	6025756	93
55509701	6020209	25, 37	94281061	6021909	33	GB1043050101	6023611	101
555097R1	6020211	25	99320000	6030037	24	GB1043300101	6023621	99
55509801	6020212	25, 37	99330000	6030038	24	GB1043340101	6023623	99
555098R1	6020213	25	9M016101	6025517	19, 97	GB1043390101	6025682	93
55509901	6020207	25, 37	9M11S101	6025511	19	GB1043900101	6023658	93
555099R1	6020208	25, 37	9M11S136	6025404	19	GB1043910101	6025683	93
55509M01	6020214	25, 37	9M16S101	6025508	19, 95	GB1043920101	6023661	93
55509MR1	6020215	25	9M16S136	6025509	19, 95	GB1043930101	6023662	93
55559801	6020256	26	9M246101	6025425	18, 87	GB1043930191	6025685	93
555598R1	6020257	26	9M256101	6025426	18, 87	GB1043940101	6023663	93
55559901	6020254	26	9M26S101	6025427	18, 87	GB1043950101	6023664	93
555599R1	6020255	26	9M26S136	6025428	18, 87	GB1043970101	6025711	93
55569701	6020218	25	9M646101	6025456	18, 89	GB1059020101	6020064	31
555697R1	6020219	25	A40260AG	7031392	40	GB1059056101	6020069	31
55569801	6020221	25	A40260GB	7031393	40	GB1074010101	6020044	33
555698R1	6020222	25	A40290AG	7031394	40	GB1074010102	6020043	33
55569901	6020216	25	A40290GB	7031395	40	GB1074010112	6020019	33
555699R1	6020217	25	A66400AG	7031303	39	GB1086020161	6020088	32
55569M01	6020223	25	A66400GB	7031386	39	GB108602R161	6020149	32
55569MR1	6020224	25	A66500AG	7031299	38	GB1086030161	6020089	32
55609701	6020227	26	A66500GB	7031385	38	GB108603R161	6020157	32
556097R1	6020228	26	A66600AG	7031296	38	GB1115002R1331G	6022298	14
55609801	6020229	26	A66600GB	7031384	38	GB1129200100	6020703	27, 30
556098R1	6020231	26	A67212FJ	7031341	39	GB1129300100	6021127	27, 30
55609901	6020225	26	A67212FK	7031343	39	GB113500301203	6022909	13
556099R1	6020226	26	A67212FL	7031344	39	GB113510301203	6022926	13
55609M01	6020232	26	A67240FJ	7031307	39, 40	GB113530001000	6023613	17
55609MR1	6020233	26	A67240FK	7031309	39, 40	GB1141000100	6028604	24
55629801	6020261	38	A67240FL	7031311	39, 40	GB114100R100	6028607	24
556298R1	6020261	27	A67260FJ	7031329	38	GB1141300100	6028605	24
	6020262	27	A67260FK	7031332	38	GB114130R100	6028608	24
55629901	6020258	27, 38	A67260FL	7031333	38	GB114300301231	6022914	14
556299R1	6020259	27	A67290FJ	7031335	38	GB1143003R1231	6022929	14
55659701	6020236	26	A67290FK	7031337	38	GB114310301231	6022915	14
556597R1	6020237	26	A67290FL	7031338	38	GB114330201231	6022916	17
55659801	6020238	26	A90000AG	7031371	37	GB1143302R1231	6022932	17
556598R1	6020239	26	B0015000	7031365	38	GB114330BLACK		17
55659901	6020234	26	B0015100	7031366	38	GB1144500101	6020113	28
556599R1	6020235	26	B00152	7031367	39	GB114450R101	6020054	28
55659M01	6020241	26	FG0105060	4342954	84	GB1145500101	6020111	28



ART. NR.	NRF. NR.	SIDE	ART. NR.	NRF. NR.	SIDE	ART. NR.	NRF. NR.	SIDE
GB114550R101	6020055	28	GB1919901201	6025421	20, 93	GB1921102016	6025744	113
GB1145510101	6020112	28, 41	GB1919901211	6096505	20, 91	GB1921102017	6025745	113
GB114551R101	6020058	28, 41	GB1919901212	6025837	91	GB1921102020	6025926	22
GB1146000101	6020115	28	GB1919901286	6025407	20, 101	GB1921102021	6025641	22
GB114600R101	6020056	28	GB1919901601	6025419	20, 99	GB1921102022	6025642	23
GB1146010101	6020117	28	GB1919901610	6025513	20	GB1921102024	6025643	22
GB114601R101	6020059	28	GB1919901702	6025412	20, 93	GB1921102025	6025644	22
GB1146500101	6020114	28	GB1919901830	6026518	103	GB1921102027	6025927	22, 23
GB114650R101	6020057	28	GB1919901831	6026519	93	GB1921102028	6025674	109
GB1149200100	6020702	29	GB1919901832	6025851	99	GB1921102029	6025928	22, 23
GB1149300100	6021126	29	GB1919901834	6025838	91	GB1921102030	6025929	22
GB1149310100	6021128	29	GB1919901835	6025916	95	GB1921102031	6025931	22
GB115500201201	6022296	13	GB1919901839	6025684	91	GB1921102032	6025932	22
GB115500301203	6023011	13	GB1919901845	6025631	91, 97	GB1921102035	6025933	22
GB115500301203G	6023013	13	GB1919901900	6025415	20, 103	GB1921102036	6025934	22
GB1155003R1204	6023012	13	GB1919901950	6025414	20, 93	GB1921102037	6025935	22
GB115500601203	6023016	13	GB1919901960	6025514	20	GB1921102040	6025936	22
GB115500601203G	6023018	13	GB1919901966	6025512	20	GB1921102042	6025938	22
GB1155006R1204	6023017	13	GB1919902002	6096503	20, 91	GB1921102045	6025939	22
GB1155006R140P	6022959	13	GB1919902055	6025507	20, 91	GB1921102047	6025942	22
GB115510201201	6022602	13	GB1919902065	6025405	20, 91	GB1921102050	6025645	22
GB115510301203	6023021	13	GB1919902070	6096504	20, 91	GB1921102051	6025646	22
GB1155103R1203	6023022	13	GB19211000510	6023007	16, 17	GB1921102052	6025647	22
GB1155103R123R	6023023	13	GB1921100081	6025856	113	GB1921102053	6025648	22
GB115510601203	6023024	13	GB1921100082	6025857	113	GB1921102054	6025649	22
GB115522201203	6023614	17	GB1921100083	6025858	113	GB1921102060	6025651	22
GB115522301203	6023647	17	GB1921100094	6025861	113	GB1921102061	6025652	22
GB1155223R1205	6023648	17	GB1921100095	6025803	113	GB1921102066	6025653	22
GB115522601203	6023649	17	GB1921100098	6025862	113	GB1921102067	6025654	22
GB1155226R1205	6023651	17	GB1921100099	6025863	113	GB1921102080	6025655	23
GB115530001000	6023034	17	GB1921100107	6025868	113	GB1921102081	6025656	23
GB1155300R1000	6023035	17	GB1921100110	6025871	113	GB1921102085	6025657	23
GB115546201201	6022601	13	GB1921100111		111, 113	GB1921102086	6025658	23
GB115546301203	6022955	13		6025752	109, 113	GB1921102092	6025659	22, 23
GB1155463R1204	6022956	13	GB1921100114	6025873	113	GB1921102100	6025661	34
GB115546601203	6022957	13	GB1921100115	6025874	113	GB1922100802	6021912	115
GB1155466R1205	6022958	13	GB1921100116	6025875	113	GB1923100802	6025842	93, 115
GB115591201201	6022297	13	GB1921100118	6025877	113	GB1923101721	6032809	117
GB115591301203	6023025	13	GB1921100122	6025865	113	GB1927569710	6025704	16, 91
GB1155913R1203	6023026	13	GB1921100370	6025943	109, 111	GB1927634600	6025701	16, 91
GB115591601203	6023027	13	GB1921100371	6025944	109, 111	GB1929900021	6025835	87, 91, 93
GB1155916R1203	6023028	13	GB1921100372	6025945	109, 111, 113	GB1929900058	6026266	103
GB1561479801	6020007	32	GB1921100373	6025946	109, 111, 113	GB1929900168	6025634	91, 97
GB1563219901	6302991	33	GB1921100375	6025947	109, 111	GB1929900208	6026366	103
GB1563229901	6302992	33	GB1921100376	6025948	109	GB1929900209	6026373	93, 99, 103
GB157119600113	6020021	33	GB1921100377	6025949	109	GB1929900211	6026201	105
GB157119610105	6020025	33	GB1921100378	6025951	109	GB1929900216	6026541	103, 105
GB157119630110	6020092	33	GB1921100379	6025952	109	GB1929900217	6026525	101, 103, 105
GB157119990110	6020028	33	GB1921100380	6025953	109, 111, 113	GB1929900226	6025411	20, 101, 103, 105
GB1571279901	6020008	32	GB1921100381	6025954	109, 111, 113	GB1929900227	6025408	20
GB1573279801	6020027	33	GB1921100382	6025955	109, 111, 113	GB1929900228	6026244	107
GB182200001200	6092501	91	GB1921100383	6025956	109, 111	GB1929900229	6026247	107
GB182300001200	6090202	91	GB1921100384	6025957	109, 111	GB1929900233	6026262	107
GB1823000R1200	6023601	91	GB1921100385	6025958	109, 113	GB1929900237	6026414	101, 105
GB182310001200	6090203	91	GB1921100386	6025959	109, 111, 113	GB1929900238	6026421	101, 105
GB1823100R1200	6023602	91	GB1921100387	6025961	109	GB1929900239	6025923	101, 105
GB182320001200	6090204	91	GB1921100388		109	GB1929900244	6026213	105
GB1823200R1200	6023666	91	GB1921100389		109	GB1929900260	6026212	93, 99, 103, 105
GB182340001200	6090205	91	GB1921100390	6025665	111		6026213	101
GB1823400R1200	6023668	91	GB1921100391	6025666	111	GB1929900282	6026581	93, 99, 103
GB182350001200	6023603	91	GB1921100392	6025667	111	GB1929900283	6026591	93
GB1823500R1200	6023609	91	GB1921100393	6025668	111	GB1929900291	6026221	105
GB182391001200	6023629	91	GB1921100394	6025626	22, 109, 111	GB1929900310	6025699	93
GB184200001200	6025906	95	GB1921100395	6025627	111	GB1929900312	6025834	91, 93
GB184310001200	6025908	95	GB1921100396	6025638	111	GB1929900315	6026543	103
GB1843100R1200	6025917	95	GB1921100397	6025639	111	GB1929900316	6026545	101
GB184700001200		89	GB1921100398	6023008	109, 111	GB1929900319	6026527	91, 93, 97
GB185500001200	6023641	87	GB1921101171	6025351	113	GB1929900320	6026555	91, 93, 97
GB1855000R1200	6023642	87	GB1921101178	6025729	113	GB1929900324	6026389	93
GB185510001200	6023643	87	GB1921101188	6025728	113	GB1929900325	6025836	91, 93, 99
GB1855100R1200	6023644	87	GB1921101191	6025727	113	GB1929900330	6026282	107
GB185520001200	6023645	87	GB1921101408	6025918	95	GB1929900332	6025922	105
GB1855200R1200	6023646	87	GB1921102003	6025757	113	GB1929900337	6026568	99
GB185580001200	6025619	87	GB1921102010	6025737	113	GB1929900338	6024976	99
GB1911101281	6025849	93	GB1921102011	6025738	113	GB1929900344	6025557	99
GB1911101291	6025671	91	GB1921102012	6025739	113	GB1929900345	6025844	99
GB1919900910	6025406	20, 101	GB1921102013	6025741	113	GB1929900347	6025845	93, 99, 103



ART. NR.	NRF. NR.	SIDE	ART. NR.	NRF. NR.	SIDE	ART. NR.	NRF. NR.	SIDE
GB1929900356	6025846	99	GB2063680001	6030277	56	GB2116070111		53
GB1929900361	6026592	93	GB2063680012		56	GB2116070112		53
GB1929900365		89	GB2063680013		56	GB2116070113		53
	6025633	91, 97	GB2063680101	6030264	56	GB2117000100	6030217	54
GB1929900381	6025847	87, 95, 99	GB2063680112		56	GB2117000111		54
GB1929900500	6025901	95	GB2063680113		56	GB2117000112		54
GB1929900502	6025902	95, 97	GB2063685601	6030461	56	GB2117000113		54
GB1929900503		89	GB2063685612		56	GB2117070100	6030222	54
	6025675	16, 91, 95	GB2063685613		56	GB2117070111		54
	6025903	87, 97	GB2081220100	6030251	57	GB2117070112		54
GB1929900504	6025904	95	GB2081220111		57	GB2117070113		54
GB1929900505	6025905	95	GB2081220112		57	GB2160130100	6031145	51
GB1929900506	6025924	97	GB2081220113		57	GB2160140100	6031146	51
GB1929901244	6025848	103	GB2081380100	6030252	58	GB2160150100	6031147	51
GB1929901453	6026511	101	GB2081380111		58	GB2160160100	6031148	52, 53
GB1929901545	6025686	93, 99	GB2081380112		58	GB2162130100	6031194	51
GB1929901690		139	GB2081380113		58	GB2162140100	6031195	51
GB1929901972	6025893	89, 91, 93, 95, 97, 99, 103	GB2082570100	6030257	58	GB2162150100	6031196	51
			GB2082580100	6030258	59	GB2162160100	6031197	52, 53
GB1929901974	6025896	91, 93, 101, 103	GB2083400100	6030246	57	GB2165130100	6031155	51
GB1929901976	6025898	101	GB2083400111		57	GB2165140100	6031156	51
GB1929901979	6025895	91, 93, 95, 97, 99, 103	GB2083400112		57	GB2165150100	6031157	51
GB1929901991	6025353	91	GB2083400113		57	GB2165160100	6031158	52, 53
GB1929903410	6025833	87, 91, 97	GB2083410100	6030253	58	GB2165700100	6031159	51, 52, 53
GB1929903411	6025855	99	GB2083411100	6030254	58	GB2170100100	6031127	54
GB19299K1931	6024962	91	GB2083500100	6030247	57	GB2170130100	6031115	51
GB19299K1951	6025816	91	GB2083500111		57	GB2170140100	6031116	51
GB19299K1956	6025815	91	GB2083500112		57	GB2170150100	6031117	51
GB19299K1959	6025798	91	GB2083500113		57	GB2170160100	6031118	52, 53
GB19299NV036	6025669	14, 16, 87	GB2083600100	6030248	57	GB2170163600	6030235	52, 53
GB19299P0100	6025601	87	GB2083600111		57	GB2170163800	6030234	52, 53
GB19299P0101	6025602	87	GB2083600112		57	GB2170165600	6030236	52, 53
GB19299P0102	6025603	87	GB2083600113		57	GB2170170100	6031119	54
GB19299P0103	6025604	87	GB2083970100	6030249	57	GB2175100100	6031135	54
GB19299P0105	6025605	87	GB2083970111		57	GB2175130100	6031136	51
GB19299P0106	6025606	87	GB2083970112		57	GB2175140100	6031137	51
GB19299P0108	6025748	14, 87	GB2083970113		57	GB2175150100	6031138	51
GB19299P0109	6025746	14, 87	GB2086830100	6030255	58	GB2175160100	6031139	52, 53
GB19299P0110	6025749	14, 87	GB2086831100	6030256	58	GB2175170100	6031162	54
GB19299P0111	6025747	14, 87	GB2088060901		51-59	GB2175650100	6031163	54
GB19299P0112	6025614	14, 87	GB2088090901		59	GB2175700100	6031164	51, 52, 53, 54
GB19299P0113	6025615	14, 87	GB2088231500	6030259	57, 58	GB2921200353	6031844	55, 56
GB19299P0114	6025616	87	GB2088596901		58	GB2921200358	6031842	55, 56
GB19299P0116	6025617	87	GB2110160100	6030233	55	GB2921200359	6031843	55, 56
GB19299P0201		89	GB2110510100	6030201	54	GB2924300155	6031722	57, 85, 59, 117
GB19299P0202		89	GB2110510111		54	GB2924300156	6031723	57-59, 117
GB19299P0204		89	GB2110510112		54	GB2924300160	6031825	119
GB19299P0206		89	GB2110510113		54	GB2924300164	6031732	55, 56
GB19299P0207		89	GB2113000100	6030203	51	GB2924300166	6031734	119
GB19299S1931	6025632	91	GB2113000111		51	GB2929900037	6031841	117
GB19299S3951		93	GB2113000112		51	GB2929900041	6031881	121
GB19299T1929	6024963	99	GB2113000113		51	GB2929900048	6031874	119
GB19299T1951	6025808	91, 93, 99	GB2114000100	6030204	51	GB2929900110	6030157	117
GB19299T1956	6025807	91, 93, 99	GB2114000111		51	GB2929900112	6031952	117
GB19299T2800	6024964	99	GB2114000112		51	GB2929900115	6031865	117, 121
GB19299T2951	6025882	91, 95, 97, 99	GB2114000113		51	GB2929900117	6031868	121
GB19299T2952	6025883	91	GB2115000100	6030207	51	GB2929900118	6031891	121
GB19299T2953	6025884	91, 95, 97, 99	GB2115000111		51	GB2929900119	6031903	121
GB19299T2954	6025885	91	GB2115000112		51	GB2929900120	6031909	121
GB19299T2956	6025887	91, 95, 97, 99	GB2115000113		51	GB2929900172	6031935	117, 119
GB19299T2958	6025889	91	GB2115700100	6030208	52	GB2929900174	6030553	117
GB19299TK960	6025813	91, 95, 97, 99	GB2115700111		52	GB2929900175	6030129	117, 121
GB19299TK961	6025831	91, 95, 97, 99	GB2115700112		52	GB2929900228	6031715	117
GB19299TK962		89	GB2115700113		52	GB2929920001	6031713	117
	6025812	87, 91, 95, 97, 99	GB2115710100	6030232	55	GB2929970001	6031735	117
GB19299U1931	6025839	93	GB2115710111		55	GB2929970002	6031736	117
GB19299U2937	6025793	93	GB2115710112		55	GB2929970003	6031737	119
GB19299U2940	6025687	99	GB2115710113		55	GB2929970004	6030552	117
GB2063160001	6030276	55	GB2116000100	6030209	52	GB35000001		139
GB2063160012		55	GB2116000111		52	GB41102817	4343141	83
GB2063160013		55	GB2116000112		52	GB4110301723	4342994	78
GB2063160101	6030273	55	GB2116000113		52	GB41103216	4342712	80
GB2063160112		55	GB2116030100	6030215	53	GB41103220	4342932	79
GB2063160113		55	GB2116030111		53	GB41103225	4342931	79
GB2063165601	6030462	55	GB2116030112		53	GB41103250	4342896	78
GB2063165612		55	GB2116030113		53	GB41103305	4342655	80
GB2063165613		55	GB2116070100	6030221	53	GB4110339023	4342699	78



ART. NR.	NRF. NR.	SIDE	ART. NR.	NRF. NR.	SIDE	ART. NR.	NRF. NR.	SIDE
GB4110339046	4342701	78	GB41215620	4342795	79	GB41633863 33	4343122	165, 169
GB4110339049	4342704	78	GB41215624	4341942	71	GB41633877 01	4343196	151, 161, 169, 171
GB41103615	4342666	80	GB41215625	4342794	79	GB41633952 01	4342755	141, 143, 147, 149, 151
GB4110381101		35, 36	GB41216352	4340301	68			
GB4110382200	7031089	35	GB41217143	6030265	59, 74	GB41633971 02	4343213	153, 165, 169
GB4110382300	7031091	35	GB4121900423	4340904	74	GB41633972	4342754	141, 143, 153, 165, 169
GB4110382700	7031093	35	GB4121900446	4340905	74			
GB4110383000	7031095	35	GB4121900449	4340914	74	GB41634002	6301993	65, 77
GB4110383900	7031097	35	GB4121905123	4340365	69	GB41634035 01	4343314	141, 149
GB4110384400		36	GB4121905146	4340366	69	GB41634045 01	4343295	149
GB4110384700		36	GB4121905149	4340369	69	GB41634078 01	4342692	149
GB4110385000		36	GB4121915123	4340303	70	GB41634119	4343068	161
GB41103880 00L	6021907	34	GB4121915146	4340305	70	GB41634140 3301	4343325	169
GB41103880 00W	6021905	34	GB4121915149	4340311	70	GB41634157	4340713	165
GB41104053 00	4342628	78, 133, 135, 137	GB4121920423	4341885	73	GB41634157 01	4340713	153, 167, 169
GB41203056	4340695	80	GB4121920446	4341886	73	GB41634210	4343335	77, 147, 149, 151
GB41203096	4340696	80	GB4121920449	4341889	73	GB41634470 01	4343166	151, 161, 169
GB41204055	4340767	81	GB4121922323	4341901	74	GB41634525	4343118	77
GB41204056	4340765	80	GB4121922346	4341902	74	GB41634555 01	4343123	141, 143, 147, 149, 151
GB41204057	4340778	81	GB4121922349	4341906	74			
GB41204095	4340771	82	GB4121922423	4341892	73	GB41634610	4342911	169
GB41204096	4340766	80	GB4121922446	4341893	73	GB41634621 01	4343142	171
GB41204097	4340779	81	GB4121922449	4341899	73	GB41634628 6101	4343014	171
GB41204155	4340768	81	GB4162752038	4342745	83	GB41634628 6201	4343015	171
GB4120415588	4340769	81	GB41630129 01	4343242	147, 151, 165, 169	GB41634650 01	4343161	171
GB41204195	4340772	82	GB41630131 01		151	GB41634680 01	4343144	171
GB4120419588	4340773	82		4343241	141, 143, 147, 149, 151, 153, 159, 161, 163, 165, 169	GB41634719 01	4343336	173
GB41204956	4340692	83				GB41634756 01	4343363	141, 143, 147, 151
GB41204958	4340781	83	GB41630151	4342811	77, 151	GB41634757 01	4341962	141, 143, 147, 149, 151
GB41204996	4340693	83	GB41630184	4342624	82, 147			
GB41204998	4340782	83	GB41630191	4342815	77, 151	GB41634768 01	4343294	149
GB41205081	4340745	77, 83, 84	GB41630194	4342819	77, 151	GB41634769 01	4343292	149
GB41205333	4341936	73	GB41630196	4342977	77, 151	GB41634784 00	4343826	177
GB41205361	4340677	83	GB41630197	4342975	77, 151	GB41634799 0001	4343124	149, 151
GB4120905523	4340723	84	GB41630198	4342976	77	GB41634810 01		171
GB4120905546	4340724	84	GB41630199	4342834	77	GB41634828 01	4342661	143, 147, 151, 153, 155, 161, 165, 167, 169, 171
GB4120905549	4340727	84	GB41630305	4343055	77, 153			
GB41213043	4340391	67	GB41630770	4342981	77	GB41634834	4343125	169
GB41213051	4340389	67	GB4163176502	4343115	77	GB41634955 01		171
GB41213061	4340392	67	GB41631773	4342125	83	GB41635175 01		151
GB41213081	4340393	70	GB41631830		141, 149	GB41635270	4342917	77
GB41214004	4340941	75	GB41632555		151	GB41635410 01	4343154	171
GB41214014	4340943	75	GB41632625 01	4343344	153, 161	GB41635430 01	4342991	151, 161, 169, 171
GB41214023	4340945	76	GB41632633 01	4340716	153	GB41635617 01	4343348	171
GB41214024	4340944	75, 82	GB41632698 02	4343096	141, 143, 145, 149	GB41635633 02	4343065	141, 143, 145, 149
GB41214033	4340946	76	GB41632731 02	4343216	151, 169	GB41635671 02		161
GB41214035	4340947	76	GB41632814 02	4341952	141, 149	GB41635678 8701	4343059	151, 161, 169, 171
GB41214041	4340381	67	GB41632815	4341958	141, 149	GB41635680 01	4342669	161, 169
GB41214043	4340324	67	GB41632834	4340715	153, 165	GB41635762 3301	4343188	153, 155, 165, 167, 169
GB41214045	4340302	68	GB41632863 01	4343337	161			
GB4121404564	4341166	67	GB41632952	4343218	165	GB41635790 01	4343189	80-82, 153, 165, 169
GB41214047	4340384	67	GB41632952 01	4343218	169	GB4163594401	4342641	77
GB4121404764	4340386	67	GB41633505 01	4343271	173	GB41635959	6025688	93
GB41214071	4340501	71	GB41633506 01	4343272	173	GB41635960	6025681	93
GB41214081	4340325	70	GB41633510 01	4343286	173	GB41636246 01	4343353	169
GB41214085	4340388	68	GB41633513 01	4343211	151, 161, 169	GB41636254 00	4343801	175
GB41214141	4340383	68	GB41633560	4343451	173	GB41636255 00	4343802	175
GB41214145	4340502	68	GB41633614	4342868	77, 82, 141, 143, 147, 149, 151	GB41636256 00	4343807	175
GB41214147	4340387	68				GB41636257 00	4343808	175
GB41214185	4340503	68	GB41633616	4342625	77, 141, 143, 147, 149, 151	GB41636261 00	4343803	175
GB41214245	4341165	68				GB41636263 00	4343804	153, 155, 161, 163, 165, 169
GB41214264	4341163	82	GB41633624	4342626	77, 141, 143, 147, 149, 151			
GB41214904	4341948	72				GB41636264 00	4343812	175
GB41214924	4341949	72	GB41633631	4342879	76, 77, 141, 143, 147, 149, 151	GB41636264 44	4343805	175
GB41214933	4340995	73				GB41636265 00	4343809	175
GB41214934	4340323	76	GB41633632	4342877	76, 77, 141, 143, 147, 149, 151	GB41636266 00	4343811	75, 175, 177, 179
GB41214951	4340356	69				GB41636302 02	4343217	161
	4340357	69	GB41633633	4342878	77, 141, 143, 147, 149, 151	GB41636319		161, 169
	4340359	70				GB41636326 01	4343126	151, 161, 169
GB41214981	4340358	69	GB41633644		151	GB41636337 01	4343127	161, 171
GB41214991	4340358	69	GB41633646		151	GB41636359 01	4343362	141, 143, 147, 149, 151
GB41215304	4341932	71, 73	GB41633646		169			
GB41215320	4343682	79	GB41633651	4342895	169	GB41636395 01	4343051	171
GB41215324	4341935	71	GB41633748	4342656	80	GB4163642401	4342632	77
GB41215325	4343681	79	GB41633858	4343177	165, 169	GB41636437 01	4342675	169
GB41215352	4341937	70	GB41633860 33	4343121	153, 155, 161, 163, 165, 169	GB41636440 01	4343175	169
GB41215387	4341939	72						
GB41215604	4341941	71	GB41633861 25	4343209	165, 169	GB41636441 01		169



ART. NR.	NRF. NR.	SIDE	ART. NR.	NRF. NR.	SIDE	ART. NR.	NRF. NR.	SIDE
GB41636447 01	4342672	171	GB41637560	4342763	181	GB41638760	4342781	72
	4346741	161, 169	GB41637561		181	GB43000014 10	4343341	153, 155, 157, 161, 163, 165, 167, 169
GB41636448 01	4342673	171	GB41637562	4342762	179			
	4346742	161, 169	GB41637564	4342764	181	GB43000021 01	4343369	153, 155, 157, 161, 163, 165, 167, 169
GB41636457 01	4342772	155, 157, 161	GB41637571	4342765	181			
GB41636460 01	4342685	145, 149	GB41637575	4340714	75, 153, 155, 161, 163, 175	GB711800004	7031002	44-45
GB41636465 01	4342684	145, 149				GB711800001A	7031082	44, 46
GB41636479 01	4343061	149	GB41637577	4342706	181	GB711800001B	7031083	45, 46
GB41636480 01	4343062	149	GB41637584 01	4342944	181	GB711800001C	7031084	44, 45
GB41636501 01		161, 171	GB41637804 01	4342635	78, 141, 149	GB711800001D	7031494	47, 48
GB41636575 01	4343054	67-70, 77, 153	GB41637810 01	4342636	78, 141, 149	GB711800001E128	7031496	47, 48
GB41636577 01	4341963	141, 143, 147, 149, 151	GB41637840 02	4342637	78, 141, 149	GB711800001E160	7031497	47, 48
			GB41638196		165	GB711800001E96	7031495	47, 48
GB41636596 00	4342687	75, 177	GB41638199 01	4342771	153, 155, 165, 169	GB711800220	7031025	49
GB41636597 44	4342688	177				GB7118100001	7031414	48
GB41636598 00	4342689	177	GB41638202	4342752	153, 163	GB7118100036	7031124	46
GB41636599 00	4342691	177	GB41638218 01	4343243	153	GB7118100038	7031125	46
GB41636606 02		161	GB41638220 01	4342768	153, 155, 165, 167, 169	GB71181000DH	7031197	46
GB41636617 01	4343347	151, 161, 169, 171				GB71181000EL	7031077	46
GB41636629 01	4342775	157	GB41638224 01	4342769	153, 155, 161	GB71181000WG	7031415	48
GB41636654 01	4343358	161, 171	GB41638281 01	4342779	145	GB7118100100	7031195	46-48
GB41636655 01	4343357	161	GB41638283 01	4342782	145	GB7118120036	7031122	45
GB41636820	4342905	73, 76, 77	GB41638287 01	4342783	145	GB7118120038	7031123	45
GB41636912 01	4343359	161	GB41638334 01	4342726	141, 143, 145	GB71181200AG	7031069	45
GB41636920 01	4342683	171	GB41638336 01	4341957	141	GB71181200DH	7031071	45
	4346745	161	GB41638339 01	4341959	141, 143, 149	GB71181200EL	7031072	45
GB41636921 01	4342682	171	GB41638358 01	4342714	163	GB7118120100	7031045	45
	4346746	161	GB41638361 02	4342715	163	GB7118120201	7031048	45
GB41637010 01	4342659	165, 167, 169	GB41638374 01	4342732	165, 169	GB7118200036	7031126	46
GB41637011 01		169	GB41638375 01	4342731	165, 169	GB7118200038	7031127	46
GB4163716002	4342642	77	GB41638390	6030266	59, 74	GB71182000DH	7031208	46
GB41637161 02	4342633	77, 153, 155, 161, 165, 167, 169	GB41638450	4342716	165, 167, 169	GB71182000EL	7031079	46
			GB41638453 01	4340718	153	GB7118200100	7031206	46
GB4163716402	4342643	77	GB41638457	4342942	78	GB7118220001	7031403	47
GB41637173	4342677	169	GB41638464	4342933	79, 179	GB71182200WG	7031406	47
GB41637237 01		159	GB41638465	4342934	179	GB7118220100	7031399	47
GB41637238 01		159	GB41638466	4342935	179	GB71183160AG	7031018	49
GB41637239 01		159	GB41638467	4342936	179	GB7118356001	7031218	49
GB41637240 01		159	GB41638468	4342937	179	GB71185001L00	7031222	44
GB41637241 01		159	GB41638469	4342938	179	GB71185001R00	7031221	44
GB41637242		159	GB41638470	4342939	179	GB7118600036	7031117	44
GB41637244		159	GB41638472	4342941	179	GB7118600038	7031118	44
GB41637245		159	GB41638474 01		165	GB71186000AG	7031061	44
GB41637250	4343366	78, 147, 153, 165, 171	GB41638509 01		167	GB71186000DH	7031062	44
			GB41638514 01	4342766	143, 155, 167, 171	GB71186000EL	7031063	44
GB41637261 01	4342753	143, 147, 153, 155, 165, 167	GB4163851523	4342738	69, 76, 83	GB7118600100	7031043	44
			GB4163851525	4342737	69, 76, 83	GB7118600201	7031046	44
GB41637267 01	4343367	143, 147, 153, 155, 165, 167, 171	GB4163851536	4342739	69, 76, 83	GB7118620001	7031401	47
			GB4163851538	4342741	69, 76, 83	GB71186200WG	7031404	47
GB41637270 01	4342713	153, 161	GB4163852023	4342742	83	GB7118620100	7031397	47
GB41637280 01	4343319	153, 161, 163				GB7118700001	7031407	48
GB41637282 01	4342751	153, 157	GB4163852025	4342742	69, 83	GB7118700036	7031128	46
GB41637315	4342634	77, 149	GB4163852036	4342744	69, 83	GB7118700038	7031129	46
GB41637319		179	GB4163852038	4342745	69, 83	GB71187000DH	7031214	46
GB41637320	4342734	175	GB41638525 01	4342786	143	GB71187000EL	7031081	46
GB41637326 0	4342776	165, 169	GB4163852823	4342747	72, 73	GB71187000WG	7031408	48
GB41637337 01	4342676	169	GB4163852825	4342746	72, 73	GB7118700100	7031212	46, 48
GB41637347	4343368	141, 143, 147, 149	GB4163852836	4342748	72, 73	GB7118710100	7031131	46, 48
GB41637360 01		147	GB4163852838	4342749	72, 73	GB7118801200	7031087	50
	4342627	78, 147, 153, 165, 171	GB41638529 01		143	GB7118801211	7031144	50
			GB41638530 01	4342785	143	GB7118806000	7031085	49
GB41637363 01		153	GB41638542 01	4342788	143	GB7118806011	7031142	49
	4342735	165, 171	GB41638544 01		157	GB7118809000	7031086	49
GB41637387 01	4342717	141, 143, 145, 147, 163	GB41638545 01	4342787	143	GB7118809011	7031143	49
			GB41638549 01		167	GB7118824600	7031024	49
GB41637389 02	4342718	163			155	GB7118826001	7031409	48
GB41637393	4342719	163, 171	GB41638557 01		157	GB7118829001	7031141	49
GB41637406	4342721	163, 171	GB41638560 01	4342773	157	GB7118900038	7031121	45
GB41637407	4342722	163, 171	GB41638561		157	GB71189000AG	7031065	45
GB41637410	4342723	145, 163	GB41638589		179	GB71189000DH	7031066	45
GB41637415	4342724	163, 171	GB41638725 01	4342757	177	GB71189000EL	7031067	45
GB41637416	4342725	145, 163	GB41638726 01	4342756	177	GB7118900100	7031044	45
GB41637418	4342926	163	GB41638727 02	4342759	177	GB7118900201	7031047	45
GB41637445	4342653	69, 77, 153	GB41638728 01	4342761	177	GB7118920001	7031402	47
GB41637446		153	GB41638739 01		157	GB71189200WG	7031405	47
GB41637450	4342638	77, 153, 161	GB41638753 01		167	GB7118920100	7031398	47
GB41637453	4342651	153, 161	GB41638754 01		167	GB714810B00000	7031505	41



ART. NR.	NRF. NR.	SIDE	ART. NR.	NRF. NR.	SIDE	ART. NR.	NRF. NR.	SIDE
GB714810DH0000	7031507	41	GB88305100	6025705	21	UDW9090NAC164W-01	6318338	64
GB714810NO0000	7031506	41	GB88305101	6025611	21	UDW9090NAC164W-61	6318346	64
GB714815BO0000	7031508	41	GB88305500	6025636	21	UDW9090NAC185W-01	6318339	64
GB714815DH0000	7031511	41	GB88305501	6025637	21	UDW9090NAC185W-61	6318347	64
GB714815NO0000	7031509	41	GB88306000	6025758	87	UDW9090NOA120W-61	6318318	64
GB714860BO0000	7031498	41	GB88306001	6025429	21	UDW9090NOC185W-61	6318319	64
GB714860DH0000	7031501	41	GB88306004	6025431	21	UDWDOORKNOB2W-61		138
GB714860NO0000	7031499	41	GB88306015	6025432	21	UDWDOORKNOBW-61	123, 125, 127, 129,	
GB714870BO00BO	7031512	42	GB88306036	6025434	21		131, 133, 135, 137	
GB714870DH00DH	7031514	42	GB88306051	6025759	91	UPGUALPALCV		131
GB714870NO00NO	7031513	42	GB8830700001	6025662	16	UPGUALPD		129
GB714875BO0000	7031502	41	GB8830701001	6025663	16	UPGUALPQ		127
GB714875DH0000	7031504	41	GB8830709101	6025664	16	UPGUBG-SF-3		137
GB714875NO0000	7031503	41	U900030247-QS		139	UPGUBP90-01		135
GB7148801000		43, 44	U9009063000	6030268	59	UPGUBP90-61		135
GB71488810BO	7031522	43	U90600361	6030267	59, 74	UPGUCCT-01		125
GB71488810DH	7031524	43	UCCOM1003		59	UPGUCCT-61		125
GB71488810NO	7031523	43	UCDOR0880-01		139	UPGUCURSP		133
GB71488815BO	7031525	43	UCSPM0004-01		139	UPGUDS249		138
GB71488815DH	7031527	43	UCSPM0021-00		139	UPGUED01020	123, 127, 133, 135, 137	
GB71488815NO	7031526	43	UCSPM0021-01		139	UPGUED01024		125, 129
GB71488860BO	7031515	42	UCSPM0022-01		139	UPGUED02063D-01		123, 125
GB71488860DH	7031517	42	UCSPM0052		139	UPGUED02099		127, 129
GB71488860NO	7031516	42	UCSPM0066		139	UPGUED03030		123, 125, 135
GB71488875BO	7031518	42	UCSPM0077		139	UPGUFY-011		127, 129, 131
GB71488875DH	7031521	42	UCSPM0079		139	UPGUFY002-01		123, 125
GB71488875NO	7031519	42	UCSPM0089		139	UPGUFY002-61		123, 125
GB7148A128F	7031488	42	UCTAP0259		133, 135	UPGUGHD		133
GB7148A192F	7031489	42	UDL0805NOC1W-01	6318317	64	UPGUHWP-01	6301639	61, 62
GB7148A192G	7031493	42	UDL0905NAC4W-01	6318325	64, 135	UPGUHWP-61	6301641	61, 62
GB7148A320F	7031491	42	UDL0905NOA1W-01	6318325	64, 133	UPGUINSKALC		131
GB7148C128E	7031485	42	UDW0070LOG170W-61	6301633	65	UPGUINSKBW-01		133, 135
GB7148C192E	7031486	42	UDW0080LOG170W-61	6301635	65	UPGUINSKBW-61		133, 135
GB7148C192G	7031492	42	UDW0080NAU221LN-01	6301552	61	UPGUINSKCU-01		133, 137
GB7148C320E	7031487	42	UDW0080NAU221LN-61	6301562	61	UPGUINSKCU-61		133, 137
GB71A47900E4	7031533	37	UDW0080NAU221RN-01	6301553	61	UPGUINSKGD-01		125
GB71A47900E9	7031534	37	UDW0080NAU221RN-61	6301563	61	UPGUINSKGD-61		125
GB71A671AGDH	7031288	39	UDW0080NAU222LN-01	6301576	62	UPGUINSKGQ-01		123
GB71A671CWDH	7031287	39	UDW0080NAU222LN-61	6301591	62	UPGUINSKGQ-61		123
GB71A671GBDH	7031389	39	UDW0080NAU222RN-01	6301577	62	UPGUINSKJD-61		127, 129
GB71A672AGDH	7031293	39	UDW0080NAU222RN-61	6301592	62	UPGUINSKLD-01		135
GB71A672CWDH	7031292	39	UDW0080SKA100W-61	6301626	63	UPGUINSKLQ-61		135
GB71A672GBDH	7031391	39	UDW0080SKA200LN-61	6301619	63	UPGUINWF7201		138
GB71A673AGDH	7031279	40	UDW0080SKA200RN-61	6301621	63	UPGUMAGSP		131
GB71A673CWDH	7031278	40	UDW0080SKA201LN-61	6301605	63	UPGUPCC80-01		137
GB71A673GBDH	7031387	40	UDW0080SKA201RN-61	6301606	63	UPGUPCC90-01		133
GB71A674AGDH	7031284	40	UDW0090NAU221LN-01	6301554	61	UPGUPCC90-61		133, 137
GB71A674CWDH	7031283	40	UDW0090NAU221LN-61	6301564	61	UPGURSPG-6		123, 135
GB71A674GBDH	7031388	40	UDW0090NAU221RN-01	6301555	61	UPGURSPG-8		125
GB71A903AGDH	7031374	38	UDW0090NAU221RN-61	6301565	61	UPGUSWD-6		127
GB71A903CWDH	7031376	38	UDW0090NAU222LN-01	6301578	62	UPGUSWD-8		129, 131
GB71A903GBDH	7031375	38	UDW0090NAU222LN-61	6301593	62	UPGUSWD-8-L		131
GB71A904AGDH	7031377	38	UDW0090NAU222RN-01	6301579	62	UPGUTFQ		135
GB71A904CWDH	7031379	38	UDW0090NAU222RN-61	6301594	62	UPGUTFS		133
GB71A904GBDH	7031378	38	UDW0090SKA100W-61	6301628	63	UPGUTHJ		127
GB71A905AGDH	7031381	39	UDW0090SKA200LN-61	6301622	63	UPGUTHWF7201		138
GB71A905CWDH	7031383	39	UDW0090SKA200RN-61	6301623	63	UPGUWDF7201		138
GB71A905GBDH	7031382	39	UDW0090SKA201LN-61	6301607	63	UPGUWH-6-61/2	123, 125, 133, 135, 137	
GB71B032E4WB	7031535	37	UDW0090SKA201RN-61	6301608	63	UPGUWH-8-6 1/2		125
GB71B032E4WBN	7031537	37	UDW0100NAU221LN-01	6301556	61	UPGUYDG262-337	6301543	63
GB71B032E9WB	7031536	37	UDW0100NAU221LN-61	6301566	61	UPGUYDG262-69-01		137
GB71B03300E4	7031531	37	UDW0100NAU221RN-01	6301557	61	UPGUYDG262-69-61		137
GB71B03300E9	7031532	37	UDW0100NAU221RN-61	6301567	61			
GB8118000002	7031022	115	UDW0100NAU222LN-01	6301581	62			
GB8128000100	7031019	115	UDW0100NAU222LN-61	6301595	62			
GB8148300001	7031035	115	UDW0100NAU222RN-01	6301582	62			
GB8193B901	6024965	97	UDW0100NAU222RN-61	6301596	62			
GB88170401	6026755	34	UDW0100SKA100W-61	6301631	63			
GB88170701	6026758	34	UDW0100SKA200LN-61	6301624	63			
GB88170801	6026759	34	UDW0100SKA200RN-61	6301625	63			
GB88171101	6026763	21	UDW0100SKA201LN-61	6301609	63			
GB88171201	6026764	21	UDW0100SKA201RN-61	6301611	63			
GB88171301	6026765	21	UDW8080NOC120W-01	6318326	64			
GB88171401	6026766	21	UDW8080NOC120W-61	6318315	64			
GB88171501	6026767	21	UDW8080NOC185W-01	6318327	64			
GB88171701	6026769	21	UDW8080NOC185W-61	6318316	64			
GB88301801	6025628	21	UDW9090NAC120W-01	6318328	64			

Gulvklosetter

	NRF. NR.	ART. NR.	VEIL. PRIS EKS. MVA.	VEIL. PRIS INKL. MVA.
<p>NORDIC³ 3500 klosett, skjult S-lås, 3/6 ltr.</p>	6022909	GB113500301203	2.343	2.929
<p>NORDIC³ 3510 klosett, P-lås, 3/6 ltr.</p>	6022926	GB113510301203	2.615	3.269
<p>Nautic klosett 5500, skjult S-lås</p> <p>6 ltr 6 ltr, C+ 6 ltr, u/skruehull f/liming 3/6 ltr 3/6 ltr, C+ 3/6 ltr, u/skruehull, f/liming 2/4 ltr, S-lås uten sete 6 ltr., u/sete, m/C+ m/ vandalsikker trykknapp</p>	6023016 6023017 6023018 6023011 6023012 6023013 6022296 6022959	GB115500601203 GB1155006R1204 GB115500601203G GB115500301203 GB1155003R1204 GB115500301203G GB115500201201 GB1155006R140P	2.675 3.394 2.809 2.675 3.518 2.809 2.826 3.518	3.344 4.243 3.511 3.344 4.398 3.511 3.533 4.398
<p>Nautic klosett 5510, skjult P-lås</p> <p>6 ltr 3/6 ltr 3/6 ltr, C+ 3/6 ltr. m/hvitt hardplast sete m/SC/QR, med C+ 2/4 ltr.</p>	6023024 6023021 6023022 6023023 6022602	GB115510601203 GB115510301203 GB1155103R1203 GB1155103R123R GB115510201201	3.083 3.096 3.806 4.452 3.096	3.854 3.870 4.758 5.565 3.870
<p>Nautic klosett 5546, skjult S-lås, høy modell</p> <p>6 ltr 6 ltr, C+ 3/6 ltr 3/6 ltr., C+ 2/4 ltr</p>	6022957 6022958 6022955 6022956 6022601	GB115546601203 GB1155466R1205 GB115546301203 GB1155463R1204 GB115546201201	4.338 5.134 4.338 5.134 4.338	5.423 6.418 5.423 6.418 5.423
<p>Nautic klosett 5591, åpen S-lås, stor fot</p> <p>6 ltr 6 ltr, C+ 3/6 ltr 3/6 ltr., C+ 2/4 ltr</p>	6023027 6023028 6023025 6023026 6022297	GB115591601203 GB1155916R1203 GB115591301203 GB1155913R1203 GB115591201201	2.695 3.728 2.695 4.085 2.699	3.369 4.660 3.369 5.106 3.374

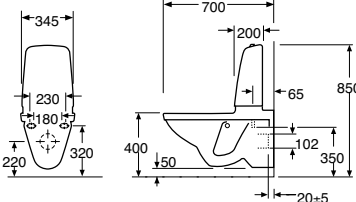
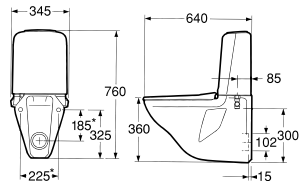
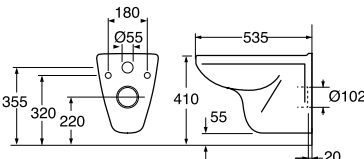
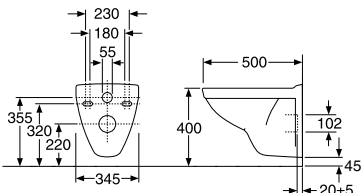
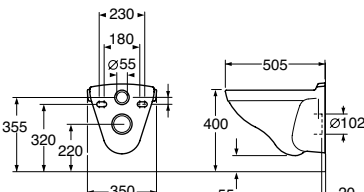
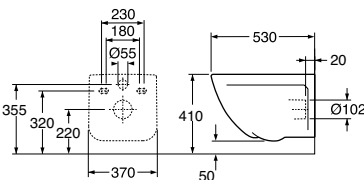
	NRF. NR.	ART. NR.	VEIL. PRIS EKS. MVA.	VEIL. PRIS INKL. MVA.
<p>Nautic 1500 Hygienic Flush Klosett med skjult S-lås og åpen spylekant</p> <p>Inklusiv SC og QR sete og CeramicPlus</p>	6022298	GB1115002R1331G	4.688	5.860
<p>Trykknapper Nautic</p> <p>Trykknapp duo, hvit, komplett Trykknapp enkel, hvit, komplett Trykknapp duo, krom, komplett Trykknapp enkel, krom, komplett Trykknapp duo, krom Trykknapp enkel, krom Vandalsikker trykknapp, enkelspyling, Rustfritt/sort</p>	6025748 6025746 6025749 6025747 6025614 6025615 6025669	GB19299P0108 GB19299P0109 GB19299P0110 GB19299P0111 GB19299P0112 GB19299P0113 GB19299NV036	132 132 132 132 124 124 795	165 165 165 165 155 155 994
<p>Gulvklosetter</p>				
<p>Artic klosett 4300, S-lås, m/sete SC/QR</p> <p>3/6 ltr. m/sete SC/QR 3/6 ltr. m/sete SC/QR, C+</p>	6022914 6022929	GB114300301231 GB1143003R1231	5.205 5.914	6.506 7.393
<p>Artic klosett 4310, P-lås, m/sete SC/QR</p> <p>3/6 ltr. m/sete SC/QR</p>	6022915	GB114310301231	5.205	6.506
<p>Nordic klosett 390, åpen S-lås</p> <p>6 ltr</p>	6022963	GB1039020102	2.313	2.891

	NRF. NR.	ART. NR.	VEIL. PRIS EKS. MVA.	VEIL. PRIS INKL. MVA.
<p>Nordic klosett 392, m/P-lås</p> <p>6 ltr</p>	6022964	GB1039220102	2.615	3.269
<p>Nordic klosett 394, skjult S-lås</p> <p>3/6 ltr</p>	6022922	GB1039436103	2.284	2.855
<p>Nordic klosett 398, m/P-lås, ekstra kort</p> <p>6 ltr 3/6 ltr</p>	6022928 6022984	GB1039820102 GB1039830104	4.594 4.781	5.743 5.976
<p>Barneklosett 305, S-lås, m/hvitt sete u/lokk</p> <p>6 ltr. m/hvitt standardsete, u/lokk</p>	6022911	GB1030510152	5.445	6.806

Tilleggsutstyr klosetter

	NRF. NR.	ART. NR.	VEIL. PRIS EKS. MVA.	VEIL. PRIS INKL. MVA.
<p>Forhøyningssokler på +6 cm</p> <p>Passer til klosett 2300 Passer til klosett 2310</p>	6025701 6025704	GB1927634600 GB1927569710	1.459 1.459	1.824 1.824
<p>Forhøyningssokler på +4 cm</p> <p>Passer til Nautic klosett 5500</p>	6025662	GB8830700001	1.459	1.824
<p>Passer til Nautic klosett 5510</p>	6025663	GB8830701001	1.459	1.824
<p>Passer til Nautic klosett 5591</p>	6025664	GB8830709101	1.459	1.824
<p>Monteringsstativ f/vegghengt klosett og bide. Kun veggfester.</p> <p>Tilleggsutstyr klosetter</p> <p>Klosettcran m/sil og halvkobling Nautic vandalsikker trykknapp, enkelsyling, rustfritt/sort</p>	6023007 6025675 6025669	GB19211000510 GB1929900503 GB19299NV036	1.368 111 795	1.710 139 994

Veggmonterte klosetter

	NRF. NR.	ART. NR.	VEIL. PRIS EKS. MVA.	VEIL. PRIS INKL. MVA.
 <p>Nautic veggskål 5522 med utvendig systerne</p> <p>6 ltr 6 ltr, C+ 3/6 ltr 3/6, C + 2/4 ltr Monteringsstativ f/vegghengt klosett og bide. Kun veggfester.</p>	6023649 6023651 6023647 6023648 6023614 6023007	GB115522601203 GB1155226R1205 GB115522301203 GB1155223R1205 GB115522201203 GB19211000510	4.263 4.955 4.263 4.955 4.263 1.368	5.329 6.194 5.329 6.194 5.329 1.710
 <p>GB 339 veggskål, m/utv.sisterne</p> <p>6 ltr, skjult P-lås 3/6 ltr., skjult P-lås Monteringsstativ f/vegghengt klosett og bide. Kun veggfester.</p>	6022925 6022924 6023007	GB1033920104 GB1033930102 GB19211000510	5.569 5.619 1.368	6.961 7.024 1.710
* Utbytesmodell. Anslutningsmått enl. tidligere Svensk standard				
Veggskåler				
 <p>Nordic³ veggskål 3530</p>	6023613	GB113530001000	1.250	1.563
 <p>Nautic veggskål 5530</p> <p>5530 veggskål 5530 veggskål, C+</p>	6023034 6023035	GB115530001000 GB1155300R1000	1.359 2.064	1.699 2.580
 <p>Logic veggskål 5693, m/hvitt lux-sete</p> <p>5693 5693, C+</p>	6023001 6023002	56939901 569399R1	2.470 3.178	3.088 3.973
 <p>Artic veggskål 4330</p> <p>Med hvitt sete, SC/QR Med hvitt sete, SC/QR, C+ Sort veggskål med sort hardplast sete med SC/QR. Med C+</p>	6022916 6022932	GB114330201231 GB1143302R1231 GB114330BLACK	3.934 4.643 6.696	4.918 5.804 8.370

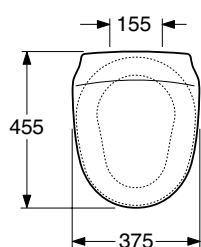
Veggmonterte klosetter

	NRF. NR.	ART. NR.	VEIL. PRIS EKS. MVA.	VEIL. PRIS INKL. MVA.
	Hygienic Flush 5G84 med åpen spylekant Uten sete Med hvitt soft-Close og Quick-release sete		1.826	2.283
	6022997	5G84R001	2.857	3.571
	6023612	7G061001	1.085	1.356

KlosettSeter

Seter til Nordic³/Saval 2.0 Nordic ³ hvitt propensete Hvitt hardplastsete				
	6025456	9M646101	198	248
	6096502	8780G101	539	674
 	Passer til samtlige klosetter i Nautic-serien Standard propensete, hvit Lux-sete, hardplast, hvitt, rustfrie fester Lux-sete, hardplast, hvitt, SC/QR Lux-sete, hardplast, sort, SC/QR		205	256
	6025425	9M246101	616	770
	6025426	9M256101	983	1.229
	6025427	9M265101	1.301	1.626
	6025428	9M265136		

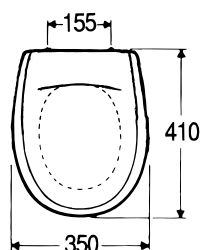
	NRF. NR.	ART. NR.	VEIL. PRIS EKS. MVA.	VEIL. PRIS INKL. MVA.
	Logic klosettseter			
	Hardplast, hvitt, rustfrie fester Hardplast, hvitt, SC Hardplast, sort, SC			
	6025517	9M016101	776	970
	6025511	9M11S101	1.131	1.414
	6025404	9M11S136	1.481	1.851
	Artic/HygienicFlush hardplastsete med SC/QR			
	Hvitt Sort			
	6025508	9M16S101	1.502	1.878
	6025509	9M16S136	1.853	2.316



Kompletterende seter
Nordic seter til 390-serien

Propensete, hvitt, m/lokk
Hvitt lux-sete m/rustfrie fester f/390.
Butikkpakk.
Sort lux-sete m/rustfrie fester f/390.
Butikkpakk.
Hvitt f/390 m/plastfester. Butikkpakk.
Sort f/Nordic Public 391/392/393/394395P
m/spesialfester

NRF. NR.	ART. NR.	VEIL. PRIS EKS. MVA.	VEIL. PRIS INKL. MVA.
6025412	GB1919901702	198	248
6025414	GB1919901950	776	970
6025514	GB1919901960	1.147	1.434
6025421	GB1919901201	514	643
6025512	GB1919901966	1.792	2.240



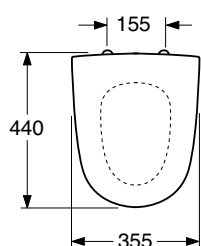
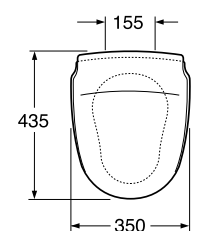
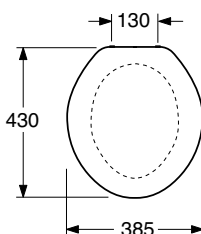
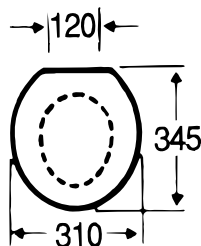
Hvitt propensete f/325
Hvitt propensete f/305, m/lokk
Hvitt propensete f/305, u/lokk
Hvitt propensete f/315
Hardplast lux-sete f/325, m/lokk

6025411	GB1929900226	265	331
6025406	GB1919900910	1.015	1.269
6025407	GB1919901286	265	331
6025408	GB1929900227	302	378
6025415	GB1919901900	809	1.011

**Setene passer til 2300, 2310, 2320,
2330, 2350 og 2391**

Standard propensete, hvit
Lux-sete, hvitt, rustfrie fester
Hardplastsete, hvitt, rustfrie fester
Lux-sete, hvitt, SC
Lux-sete, sort, SC
Skandic/Classic klosettseter
Hardplast, hvitt, rustfrie fester
Hardplast, sort, rustfrie fester

6096503	GB1919902002	198	248
6096504	GB1919902070	768	960
6096505	GB1919901211	513	641
6025507	GB1919902055	983	1.229
6025405	GB1919902065	1.234	1.543
6025419	GB1919901601	1.147	1.434
6025513	GB1919901610	1.362	1.703



Care Basic

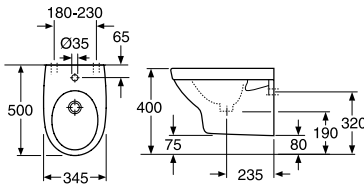
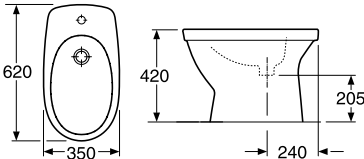
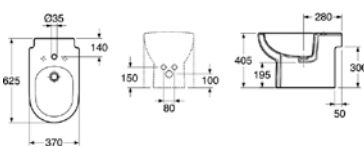
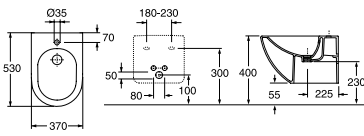
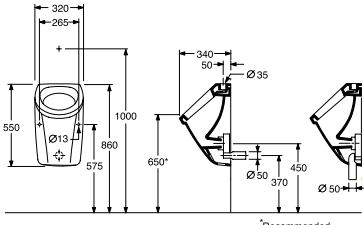
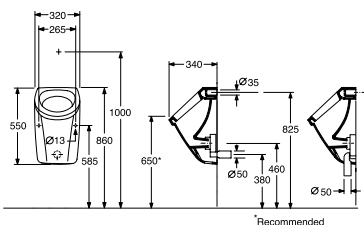
	NRF. NR.	ART. NR.	VEIL. PRIS EKS. MVA.	VEIL. PRIS INKL. MVA.	
	Nordic armstøtte f/2300 serien med hvitt sete	6025611	GB88305101	4.262	5.328
	Nordic armstøtte f/2300- serien uten sete	6025705	GB88305100	3.618	4.523
	Nautic Care 3055 armstøtte f/5500-serien u/ sete	6025636	GB88305500	3.212	4.015
	Nautic 3055 armstøtte f/5500-serien m/hvitt sete	6025637	GB88305501	3.823	4.779
	Nautic 3060 Care sete Diana, hvitt	6025429	GB88306001	1.074	1.343
	Nautic 3060 Care sete Diana, rød	6025431	GB88306004	1.074	1.343
	Nautic 3060 Care sete Diana, blått	6025432	GB88306015	1.074	1.343
	Nautic 3060 Care sete Diana, sort	6025434	GB88306036	1.074	1.343
	1711 Armstøtte u/støtteben f/veggmontering	6026763	GB88171101	2.255	2.819
	1712 Armstøtte m/støtteben f/veggmontering	6026764	GB88171201	2.105	2.631
	1713 Armstøtte m/teleskopben f/veggmontering	6026765	GB88171301	2.963	3.704
	Papirholder f/armstøtte	6026766	GB88171401	286	358
	Papirholder f/Nordic/Nautic-armstøtte	6025628	GB88301801	156	195
	Papirholder f/Nordic/Nautic-armstøtte	6025628	GB88301801	156	195
	Papirholder f/armstøtte	6026766	GB88171401	286	358
	Støttehåndtak 306 mm	6026767	GB88171501	241	301
	Støttehåndtak 612 mm	6026769	GB88171701	355	444

Triomont innbyggingsystemer og trykkplater for veggmonterte klosetter

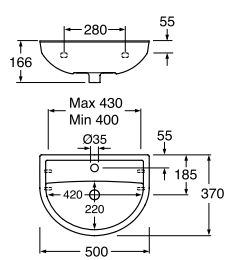
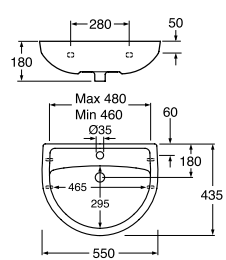
	NRF. NR.	ART. NR.	VEIL. PRIS EKS. MVA.	VEIL. PRIS INKL. MVA.	
	Triomont XS, høy modell				
	6025926	GB1921102020	2.500	3.125	
	6025641	GB1921102021	2.989	3.736	
	6025927	GB1921102027	198	248	
	6025928	GB1921102029	198	248	
	6025626	GB1921100394	317	396	
Triomont ombyggningsdel for XS og XT fra mekanisk til pneumatisk					
	Mekaniske trykkplater: Triomont XS, 3/6 ltr.				
	6025933	GB1921102035	361	451	
	6025934	GB1921102036	504	630	
	6025935	GB1921102037	465	581	
	6025939	GB1921102045	1.561	1.951	
	6025942	GB1921102047	1.758	2.198	
	6025647	GB1921102052	372	465	
	6025648	GB1921102053	476	595	
	6025649	GB1921102054	1.634	2.043	
	Triomont XS, 6 ltr.				
	6025929	GB1921102030	361	451	
	6025931	GB1921102031	504	630	
	6025932	GB1921102032	465	581	
	6025936	GB1921102040	1.561	1.951	
6025938	GB1921102042	1.758	2.198		
6025645	GB1921102050	373	466		
6025646	GB1921102051	476	595		
	Pneumatisk trykknapp til Triomont XS, 6 ltr.				
	6025659	GB1921102092	677	846	
	Pneumatisk trykkplate til Triomont XS, 3/6 ltr,				
	6025651	GB1921102060	514	643	
	6025652	GB1921102061	677	846	
	6025653	GB1921102066	1.865	2.331	
	6025654	GB1921102067	1.865	2.331	
	3/6 ltr, hvit, plast 3/6 ltr, blank krom, plast 3/6 ltr, hvit, glass 3/6 ltr, sort, glass				
		Triomont XT, lav modell			
		6025643	GB1921102024	2.653	3.316
6025644		GB1921102025	3.143	3.929	
6025927		GB1921102027	198	248	
6025928		GB1921102029	198	248	
6025626		GB1921100394	317	396	
Triomont ombyggningsdel for XS og XT fra mekanisk til pneumatisk					

	NRF. NR.	ART. NR.	VEIL. PRIS EKS. MVA.	VEIL. PRIS INKL. MVA.
<p>Mekaniske trykkplater f/toppmontering til Triomont XT, lav modell</p> <p>3/6 ltr, hvit, plast 3/6 ltr, blank krom, plast</p>	6025655 6025656	GB1921102080 GB1921102081	373 476	466 595
<p>Pneumatisk trykknapp f/veggmontering til Triomont XS og XT</p> <p>6 ltr, rustfritt stål</p>	6025659	GB1921102092	677	846
<p>Pneumatisk trykkplate til Triomont XT lav modell</p> <p>3/6 ltr, hvit, plast 3/6 ltr, blank krom, plast</p>	6025657 6025658	GB1921102085 GB1921102086	514 677	643 846
<p>Triomont XS Vario for mekaniske trykkplater (se XS monteringsstativ) for veggmontering Justerbar høyde av klosettet etter montering.</p> <p>Høy modell for montering mot vegg eller i hjørne Monteringssett; veggfester Monteringssett for hjørnemontering</p>	6025642 6025927 6025928	GB1921102022 GB1921102027 GB1921102029	6.533 198 198	8.166 248 248

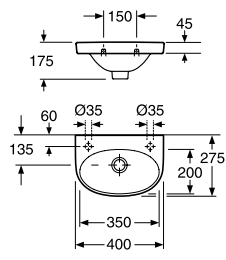
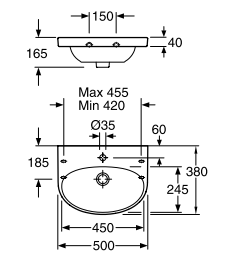
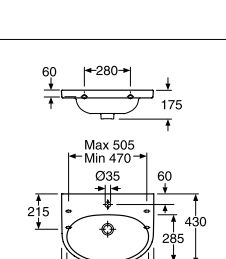
Bidéer

	NRF. NR.	ART. NR.	VEIL. PRIS EKS. MVA.	VEIL. PRIS INKL. MVA.
 <p>5598 Nautic bidé for veggmontering for veggmontering, C+</p>	6028611 6028612	55989901 559899R1	3.354 4.089	4.193 5.111
 <p>5599 Nautic bidé for gulvmontering for gulvmontering, C+</p>	6028613 6028614	55999901 559999R1	2.918 3.653	3.648 4.566
 <p>4100 Artic bidé for gulvmontering for gulvmontering, C+</p>	6028604 6028607	GB1141000100 GB114100R100	3.805 4.514	4.756 5.643
 <p>4130 Artic bidé for veggmontering for veggmontering, C+</p>	6028605 6028608	GB1141300100 GB114130R100	3.805 4.514	4.756 5.643
Urinaler				
 <p>7G50 urinal, inkl. festedetaljer åpen vanntilkobling Vannlås f/gulv (vertikalt) Vannlås f/vegg (horisontalt)</p>	6030004 6028622 6028621	7G500001 93270000 93260000	2.517 499 499	3.146 624 624
 <p>7G51 urinal, inkl. festedetaljer skjult vanntilkobling Vannlås f/gulv (vertikalt) Vannlås f/vegg (horisontalt)</p>	6030005 6028622 6028621	7G510001 93270000 93260000	2.517 499 499	3.146 624 624
		9932 00 Tilkoblingsnippel for åpen vanntilkobling	179	224
		9933 00 Tilkoblingsrør for skjult vanntilkobling	309	386

Nordic³ servanter

	NRF. NR.	ART. NR.	VEIL. PRIS EKS. MVA.	VEIL. PRIS INKL. MVA.
 <p>Nordic³ servant for bolt/bærejern 500x370 mm</p>	6021222	41005001	583	729
 <p>Nordic³ servant for bolt/bærejern 550x440 mm</p>	6021223	41005501	524	655

Nautic servanter

 <p>5540 Nautic servant for boltmontering 400x275 mm</p> <p>armaturhull høyre armaturhull høyre, C+ armaturhull venstre armaturhull venstre, C+ u/armaturhull u/armaturhull, C+</p>	6020201 6020202 6020203 6020204 6020205 6020206	55409R01 55409RR1 55409L01 55409LR1 55409701 554097R1	922 1.632 922 1.632 922 1.632	1.153 2.040 1.153 2.040 1.153 2.040
 <p>5550 Nautic servant for bolt/bærejern 500x380 mm</p> <p>med armaturhull med armaturhull, C+ uten armaturhull uten armaturhull, C+ uten overløp uten overløp, C+ uten armaturhull og overløp uten armaturhull og overløp, C +</p>	6020207 6020208 6020209 6020211 6020212 6020213 6020214 6020215	55509901 555099R1 55509701 555097R1 55509801 555098R1 55509M01 55509MR1	597 1.321 876 1.585 876 1.585 876 1.585	746 1.651 1.095 1.981 1.095 1.981 1.095 1.981
 <p>5556 Nautic servant for bolt/bærejern 560x430 mm</p> <p>med armaturhull med armaturhull, C+ uten armaturhull uten armaturhull, C+ uten overløp uten overløp, C+ uten armaturhull og overløp uten armaturhull og overløp, C +</p>	6020216 6020217 6020218 6020219 6020221 6020222 6020223 6020224	55569901 555699R1 55569701 555697R1 55569801 555698R1 55569M01 55569MR1	541 1.265 750 1.460 750 1.460 750 1.460	676 1.581 938 1.825 938 1.825 938 1.825

		NRF. NR.	ART. NR.	VEIL. PRIS EKS. MVA.	VEIL. PRIS INKL. MVA.
	5560 Nautic servant for bolt/bærejern 600x460 mm				
	med armaturhull	6020225	55609901	750	938
	med armaturhull, C+	6020226	556099R1	1.460	1.825
	uten armaturhull	6020227	55609701	750	938
	uten armaturhull, C+	6020228	556097R1	1.460	1.825
	uten overløp	6020229	55609801	750	938
	uten overløp, C+	6020231	556098R1	1.460	1.825
	uten armaturhull og overløp	6020232	55609M01	750	938
uten armaturhull og overløp, C+	6020233	55609MR1	1.460	1.825	
Nautic servanter					
	5565 Nautic servant for bolt/bærejern-montering, 650x500 mm				
	med armaturhull	6020234	55659901	1.667	2.084
	med armaturhull C+	6020235	556599R1	2.377	2.971
	uten armaturhull	6020236	55659701	1.667	2.084
	uten armaturhull, C+	6020237	556597R1	2.377	2.971
	uten overløp	6020238	55659801	1.667	2.084
	uten overløp, C+	6020239	556598R1	2.377	2.971
	uten armaturhull og overløp	6020241	55659M01	1.667	2.084
uten armaturhull og overløp, C+	6020242	55659MR1	2.377	2.971	
	5570 Nautic servant for bolt/bærejern 700x500 mm				
	med armaturhull	6020243	55709901	1.865	2.331
	med armaturhull, C+	6020244	557099R1	2.574	3.218
	uten overløp	6020245	55709701	1.865	2.331
	uten overløp, C+	6020246	557097R1	2.574	3.218
	uten armaturhull og overløp	6020247	55709801	1.865	2.331
	uten armaturhull og overløp, C+	6020248	557098R1	2.574	3.218
		5545 Nautic oval servant for nedfelling 450x360 mm			
for nedfelling		6020249	55459901	1.748	2.185
for nedfelling, C+		6020251	554599R1	2.398	2.998
uten overløp		6020252	55459801	1.748	2.185
uten overløp, C+		6020253	554598R1	2.398	2.998
	5555 Nautic oval servant for nedfelling 550x440 mm				
	for nedfelling	6020254	55559901	1.748	2.185
	for nedfelling, C+	6020255	555599R1	2.398	2.998
	uten overløp	6020256	55559801	1.748	2.185
	uten overløp, C+	6020257	555598R1	2.398	2.998

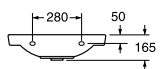
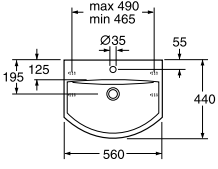
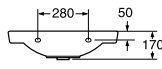
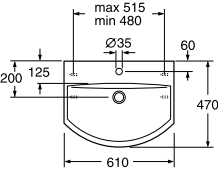
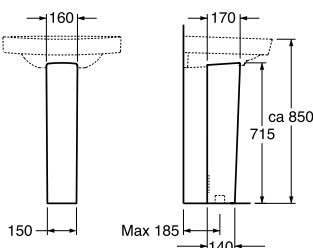
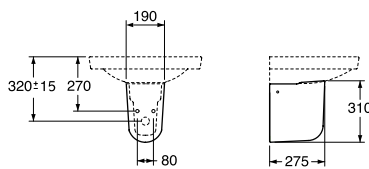
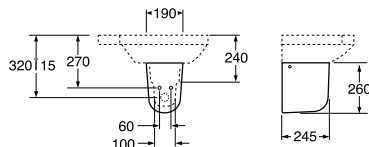
Nautic servanter og søyler

	NRF. NR.	ART. NR.	VEIL. PRIS EKS. MVA.	VEIL. PRIS INKL. MVA.
<p>5562 Nautic heldekkende servant 620x500 mm</p> <p>heldekkende servant heldekkende servant, C+ uten overløp uten overløp, C+</p>	6020258 6020259 6020261 6020262	55629901 556299R1 556298R1 556298R1	2.023 3.516 2.732 2.732	2.529 4.395 3.415 3.415
<p>5592 Nautic heldekkende servant 920x500 mm</p> <p>heldekkende servant heldekkende servant, C+ uten overløp uten overløp, C+</p>	6020265 6020266 6020267 6020268	55929901 559299R1 55929801 559298R1	2.911 3.620 2.911 3.620	3.639 4.525 3.639 4.525
<p>5512 Nautic heldekkende servant 1220x500 mm</p> <p>heldekkende servant heldekkende servant, C+ uten overløp uten overløp, C+</p>	6020272 6020273 6020274 6020275	55129901 551299R1 55129801 551298R1	3.695 4.405 3.695 4.405	4.619 5.506 4.619 5.506
<p>2920 Nautic søyle i porselen til servant 5550, 5556, 5560 og 5570</p>	6020703	GB1129200100	1.748	2.185
<p>2930 Nautic halvsøyle i porselen til servant 5556, 5560, 5565 og 5570</p>	6021127	GB1129300100	1.689	2.111
<p>5295 Nautic halvsøyle i porselen til servant 5550</p>	6020711	52959901	1.689	2.111

Artic servanter og søjler

	NRF. NR.	ART. NR.	VEIL. PRIS EKS. MVA.	VEIL. PRIS INKL. MVA.
<p>4450 Artic håndvask for bolt/bærejern 550x440 mm</p> <p>med overløb med overløb, C+</p>	6020113 6020054	GB1144500101 GB114450R101	1.401 2.111	1.751 2.639
<p>4550 Artic håndvask for bolt/bærejern 450x370 mm</p> <p>med overløb med overløb, C+</p>	6020111 6020055	GB1145500101 GB114550R101	1.417 2.126	1.771 2.658
<p>4600 Artic servant for bolt/bærejern 600x465 mm</p> <p>med overløb med overløb, C+</p>	6020115 6020056	GB1146000101 GB114600R101	1.518 2.227	1.898 2.784
<p>4650 Artic servant for bolt/bærejern 650x490 mm</p> <p>med overløb med overløb, C+</p>	6020114 6020057	GB1146500101 GB114650R101	1.901 2.610	2.376 3.263
<p>4551 Artic nedfellingsservant 4551 Artic nedfellingsservant, med C+</p>	6020112 6020058	GB1145510101 GB114551R101	1.664 2.374	2.080 2.968
<p>4601 Artic nedfellingsservant 4601 Artic nedfellingsservant, med C+</p>	6020117 6020059	GB1146010101 GB114601R101	1.809 2.518	2.261 3.148

	NRF. NR.	ART. NR.	VEIL. PRIS EKS. MVA.	VEIL. PRIS INKL. MVA.
<p>Artic søyle/halvsøyle</p> <p>4920 søyle for servant 4550, 4600, 4650</p>	6020702	GB1149200100	1.098	1.373
<p>4930 halvsøyle for servant 4550, 4600, 4650</p>	6021126	GB1149300100	1.417	1.771
<p>4931 halvsøyle for håndvask 4450</p>	6021128	GB1149310100	1.417	1.771
<p>Logic servanter og søyler</p>				
<p>5393 Logic håndvask for bolt 360x290 mm</p> <p>med overløp og hull høyre med overløp og hull høyre, C+ med overløp og hull venstre med overløp og hull venstre, C+</p>	6020132 6020133 6020134 6020135	53939R01 53939RR1 53939L01 53939LR1	846 1.556 846 1.556	1.058 1.945 1.058 1.945
<p>5197 Logic servant for bolt/bærejern 500x265 mm</p> <p>med overløp og hull høyre med overløp og hull høyre, C+ med overløp og hull venstre med overløp og hull venstre, C+</p>	6020125 6020126 6020127 6020128	51979R01 51979RR1 51979L01 51979LR1	846 1.556 846 1.556	1.058 1.945 1.058 1.945
<p>5198 Logic asymmetrisk hjørneservant for boltmontering, 570x370 mm</p> <p>med overløp med overløp, C+</p>	6020129 6020131	51989901 519899R1	975 1.685	1.219 2.106

	NRF. NR.	ART. NR.	VEIL. PRIS EKS. MVA.	VEIL. PRIS INKL. MVA.
 <p>5193 Logic servant for bolt/bærejern 560x440 mm</p>				
 <p>5194 Logic servant for boltmontering 610x470 mm</p>	6020121 6020122	51939901 519399R1	733 1.442	916 1.803
 <p>med overløb med overløb, C+</p>				
 <p>med overløb med overløb, C+</p>	6020123 6020124	51949901 519499R1	797 1.507	996 1.884
 <p>2920 Logic søyle i porselelen til servant 5193 og 5194</p>	6020703	GB1129200100	1.748	2.185
 <p>2930 Logic halvsøyle i porselelen til servant 5193 og 5194</p>	6021127	GB1129300100	1.689	2.111
 <p>5295 Logic halvsøyle i porselelen til servant 5198</p>	6020711	52959901	1.689	2.111

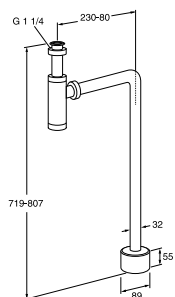
Logic møbelservanter

	NRF. NR.	ART. NR.	VEIL. PRIS EKS. MVA.	VEIL. PRIS INKL. MVA.
<p>5169 Logic møbelservant f/bolter/skapmontering, 620x430 mm</p> <p>med overløb med overløb, C+</p>	6020143 6020144	51699901 516999R1	2.023 2.732	2.529 3.415
<p>5171 Logic møbelservant f/bolter/skapmontering, 920x430 mm</p> <p>med overløb med overløb C+</p>	6020145 6020146	51719901 517199R1	2.911 3.620	3.639 4.525
<p>5188 Logic møbelservant f/skapmontering, 1220x430 mm</p> <p>med overløb med overløb, C+</p>	6020147 6020148	51889901 518899R1	3.692 4.401	4.615 5.501
Kompletterende servanter				
<p>590-2 f/bolt/bærejern, 560x430mm med overløb</p>	6020064	GB1059020101	524	655
<p>590-3 f/bolt/bærejern, 490x360mm med overløb</p>	6020069	GB1059056101	582	728

		NRF. NR.	ART. NR.	VEIL. PRIS EKS. MVA.	VEIL. PRIS INKL. MVA.
	6147 98 servant, oval, f/underliming 570x410mm	6020007	GB1561479801	2.435	3.044
	7127 99 servant, rund, f/underliming 445 mm	6020008	GB1571279901	2.148	2.685
	860-2 servant, med rørkonsoller, 600x455 mm	6020088	GB1086020161	3.269	4.086
	860-2 servant, med rørkonsoller, 600x455 mm, C+	6020149	GB108602R161	3.979	4.974
	940 Søyle f/servant 860-2	6020706	GB1019400100	2.047	2.559
	860-3 m/konsoller, u/overløp, 500x350 mm	6020089	GB1086030161	2.833	3.541
	860-3 m/konsoller, u/overløp, 500x350 mm C+	6020157	GB108603R161	3.543	4.429
	7G28 60, oval, f/nedfelling, 605x485mm	6020017	7G286001	1.607	2.009
	7G28 53, oval, f/nedfelling, 535x440mm	6020016	7G285301	1.549	1.936
	Spennklammer f/montering 7G2860, 7G2853, bestill 2 stk. pr. servant	6021913	87070000	31	39

	NRF. NR.	ART. NR.	VEIL. PRIS EKS. MVA.	VEIL. PRIS INKL. MVA.
<p>Servanter for plassering på benk</p> <p>6321 99 vask m/overløp, 500 x 400 mm</p>	6302991	GB1563219901	2.599	3.249
<p>6322 99 vask m/overløp, 600 x 500 mm 9428 overløpssett f/vask 6321, 6322</p>	6302992 6021909	GB1563229901 94281061	3.660 319	4.575 399
<p>7327 98 Hjørneservant, 555 x 450 mm f/bolt</p>	6020027	GB1573279801	1.816	2.270
<p>Sykehus/HC-servanter</p>				
<p>740-1 HC-servant, u/batterihull u/overløp f/bolt, 600x600 mm 740-1 HC-servant, m/batterihull m/overløp f/bolt, 600x600 mm 740-1 HC-servant, m/batterihull u/overløp f/bolt, 600x600 mm</p>	6020019 6020044 6020043	GB1074010112 GB1074010101 GB1074010102	4.691 4.188 4.691	5.864 5.235 5.864
<p>7119 60 HC-servant u/overløp u/batterihull f/bolt, 600x490mm 7119 61 HC-servant u/overløp m/batterihull m/fleks.boltavst, 600x490mm 7119 63 HC-servant m/overløp m/batterihull f/bolt, 600x490mm 7119 99 HC-servant m/overløp m/sentrisk batterihull f/bolt, 700x560mm</p>	6020021 6020025 6020092 6020028	GB157119600113 GB157119610105 GB157119630110 GB157119990110	3.051 3.597 3.222 4.013	3.814 4.496 4.028 5.016

Vannlåser

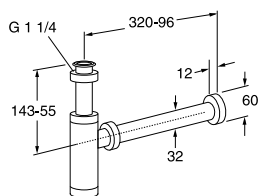


3880 Vannlås for veggtilkobling
Består av en vannlås samt rør og hette for tilkobling mot vegg.

Vannlås for veggtilkobling
3880 Vannlås for gulvtilkobling med L-rør.

Består av en vannlås samt L-rør og hette for tilkobling i gulv.
Vannlåsen er spesielt egnet når avløpshullet er plassert nær vegg.

Vannlås for gulvtilkobling



NRF. NR.

ART. NR.

 VEIL. PRIS
EKS. MVA.

 VEIL. PRIS
INKL. MVA.

6021905

GB41103880 00W

860

1.075

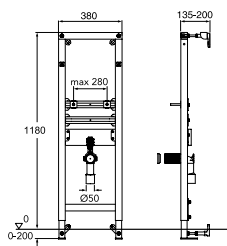
6021907

GB41103880 00L

1.039

1.299

Tilbehør servant



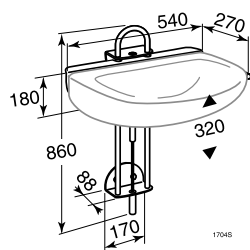
Triomont XS monteringsstativ for servant

6025661

GB1921102100

1.820

2.275



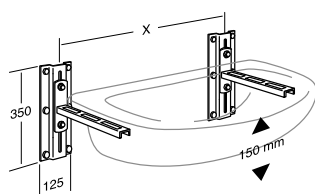
Servantløfter med gass-cylinder.
Hev/senkbar 320 mm

6026755

GB88170401

9.458

11.823



Veggekonsoll f/boltmontert servant

6026758

GB88170701

2.254

2.818

Fleksibelt slangesett f/vann og avløp.
Lengde 500 mm

6026759

GB88170801

1.230

1.538

Baderomstilbehør G1

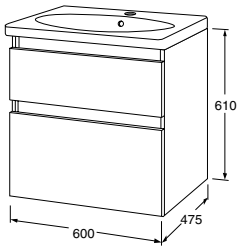
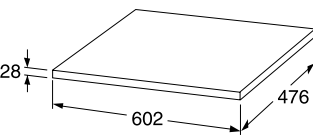
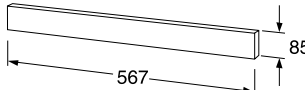
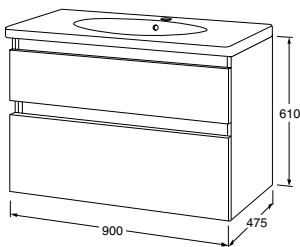
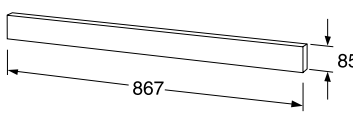
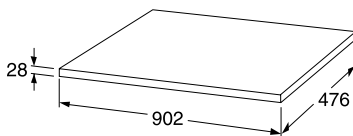
	NRF. NR.	ART. NR.	VEIL. PRIS EKS. MVA.	VEIL. PRIS INKL. MVA.	
	G1-3822 Håndklestang, enkel	7031089	GB4110382200	421	526
	G1-3823 Håndklestang, enkel	7031091	GB4110382300	602	753
	G1-3827 Toalettpapirholderk	7031093	GB4110382700	518	648
<p>G1 3830</p>	G1-3830 Toalettbørste med holder G3-3811 Reservebørste (passer også G1)	7031095	GB4110383000 GB4110381101	1.147 158	1.434 198
	G1-3839 Baderomshylle	7031097	GB4110383900	1.027	1.284

Baderomstilbehør G2

	NRF. NR.	ART. NR.	VEIL. PRIS EKS. MVA.	VEIL. PRIS INKL. MVA.
		GB4110384400	96	120
		GB4110384700	186	233
<p>G2 3850</p>		GB4110385000 GB4110381101	520 158	650 198

Nordic³ baderomsmøbler

	NRF. NR.	ART. NR.	VEIL. PRIS EKS. MVA.	VEIL. PRIS INKL. MVA.	
	7031535	GB71B032E4WB	2.066	2.583	
	7031536	GB71B032E9WB	2.169	2.711	
	7031531 7031532 7031533 7031534	GB71B03300E4 GB71B03300E9 GB71A47900E4 GB71A47900E9	2.376 2.376 2.376 2.376	2.970 2.970 2.970 2.970	
Nautic baderomsmøbler					
	7031537	GB71B032E4WBN	2.066	2.583	
	Servant 5550 for bolt/bærejern, 500x380 mm Med armaturhull Med armaturhull, C+ Uten armaturhull Uten overløpshull Uten armaturhull og overløpshull A900 sevantskap med venstrehengslet dør i hvit melamin, med fast hvit dekorlist ..	6020207 6020208 6020209 6020212 6020214 7031371	55509901 555099R1 55509701 55509801 55509M01 A90000AG	597 1.321 876 876 876 1.399	746 1.651 1.095 1.095 1.095 1.749

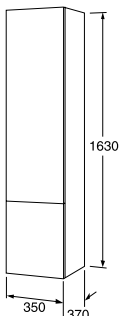
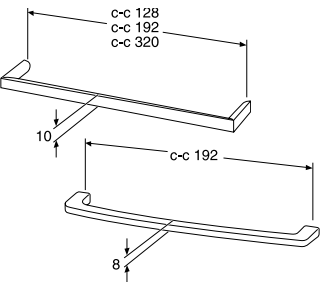
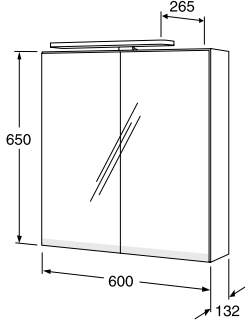
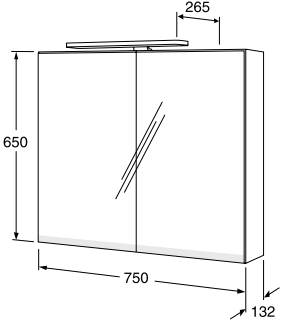
	NRF. NR.	ART. NR.	VEIL. PRIS EKS. MVA.	VEIL. PRIS INKL. MVA.		
	5562 Nautic heldekkende servant, 620x500 mm					
		6020258	55629901	2.023	2.529	
		6020261	55629801	2.023	2.529	
	Uten blandebeateri Uten blandebeateri, uten overløpshull Finnes også med Ceramic +					
	A903 servantskap med to skuffer, med hvit dekorlist					
		7031376	GB71A903CWDH	3.631	4.539	
		7031375	GB71A903GBDH	3.036	3.795	
		7031374	GB71A903AGDH	3.036	3.795	
	Hvit høyglans Matt grå Hvit melamin A672 60 Dekorlist* for fargebytte					
		7031329	A67260FJ	602	753	
		7031332	A67260FK	602	753	
		7031333	A67260FL	602	753	
	TILBEHØR					
		7031365	B0015000	298	373	
	Skuffeinnsats					
	A666 Topplate** 602 mm til servantskap A903					
		7031384	A66600GB	1.416	1.770	
		7031296	A66600AG	1.059	1.324	
	Matt grå Hvit melamin					
		*) MERK! Bestill 2 stk. til hvert skap. **) For skap uten servanter se www.gustavsberg.no				
						
		5592 Nautic heldekkende servant, 920x500 mm				
			6020265	55929901	2.911	3.639
			6020267	55929801	2.911	3.639
		6020267	55929801	2.911	3.639	
Uten blandebeateri Uten blandebeateri, uten overløpshull Finnes også med Ceramic +						
A904 Servantskap, med hvit dekorlist						
		7031379	GB71A904CWDH	4.237	5.296	
		7031378	GB71A904GBDH	3.480	4.350	
		7031377	GB71A904AGDH	3.480	4.350	
Hvit høyglans Matt grå Hvit melamin A672 90 Dekorlist* for fargebytte						
	7031335	A67290FJ	625	781		
	7031337	A67290FK	625	781		
	7031338	A67290FL	625	781		
	TILBEHØR					
		7031366	B0015100	354	443	
	Skuffeinnsats					
	A665 Topplate** 902 mm til servantskap A904 Leveres med to konsoller for ekstra stabilitet.					
		7031385	A66500GB	1.804	2.255	
		7031299	A66500AG	1.636	2.045	
	Matt grå Hvit melamin					
		*) MERK! Bestill 2 stk. til hvert skap. **) For skap uten servanter se www.gustavsberg.no				

	NRF. NR.	ART. NR.	VEIL. PRIS EKS. MVA.	VEIL. PRIS INKL. MVA.
<p>5512 Nautic heldekkende servant, 1220x500 mm</p> <p>Uten blandebatteri Uten blandebatteri, uten overløpshull Finnes også med Ceramic +</p> <p>A905 servantskap, med hvit dekorlist</p> <p>Hvit høyglans Matt grå Hvit melamin</p> <p>TILBEHØR</p> <p>Skuffeinnsats A672 12 Dekorlist* for fargebytte Aluminium Sort Rød</p> <p>A664 Topplate** 1202 mm til servantskap A905 Leveres med to konsoller for ekstra stabilitet.</p> <p>Matt grå Hvit melamin</p> <p>*) MERK! Bestill 2 stk. til hvert skap. **) For skap uten servanter se www.gustavsberg.no</p>	6020272	55129901	3.695	4.619
	6020274	55129801	3.695	4.619
	6020267	55929801	2.911	3.639
	7031383	GB71A905CWDH	4.840	6.050
	7031382	GB71A905GBDH	3.647	4.559
	7031381	GB71A905AGDH	3.647	4.559
	7031367	B00152	391	489
	7031341	A67212FJ	721	901
	7031343	A67212FK	721	901
	7031344	A67212FL	721	901
<p>A671 Veggskap med venstrehengslet dør, to glasshyller, med hvit dekorlist</p> <p>Hvit høyglans (skapstamme i hvit melamin) Matt grå Hvit melamin</p> <p>A672 Veggskap med høyrehengslet dør, to glasshyller, med hvit dekorlist</p> <p>Hvit høyglans Matt grå Hvit melamin</p> <p>A672 40 Dekorlist for fargebytte</p> <p>Aluminium Sort Rød</p>	7031287	GB71A671CWDH	2.286	2.858
	7031389	GB71A671GBDH	2.165	2.706
	7031288	GB71A671AGDH	1.924	2.405
	7031292	GB71A672CWDH	2.286	2.858
	7031391	GB71A672GBDH	2.165	2.706
	7031293	GB71A672AGDH	1.924	2.405
	7031307	A67240FJ	529	661
	7031309	A67240FK	529	661
	7031311	A67240FL	529	661

	NRF. NR.	ART. NR.	VEIL. PRIS EKS. MVA.	VEIL. PRIS INKL. MVA.	
	A673 Høyskap med én skuff og venstrehengslede dører samt tre glasshyller, med hvit dekorlist				
	Hvit høyglans (skapstamme i hvit melamin) Matt grå Hvit melamin	7031278 7031387 7031279	GB71A673CWDH GB71A673GBDH GB71A673AGDH	4.933 4.812 4.303	6.166 6.015 5.379
	A674 Høyskap med én skuff og høyrehengslede dører samt tre glasshyller, med hvit dekorlist				
	Hvit høyglans Matt grå Hvit melamin	7031283 7031388 7031284	GB71A674CWDH GB71A674GBDH GB71A674AGDH	4.933 4.812 4.303	6.166 6.015 5.379
	A672 40 Dekorlist* for fargebytte				
	Aluminium Sort Rød	7031307 7031309 7031311	A67240FJ A67240FK A67240FL	529 529 529	661 661 661
* MERK! Bestill 3 stk. til hvert skap.					
	A402 60 Speilskap med to dører og belysning.				
	Speil også på innsiden av dørene. Strømbryter og 230 V stikkontakt inne i skapet. Leveres med fire glasshyller. For fast montering på vegg. Den elektriske installasjonen skal utføres av autorisert elektriker. Leveres med alt monteringsmateriell. Kapslingsklasse IP44. For montering i sone 2 på badet. Med to lysrør à 13 W.				
	Matt grå Hvit	7031393 7031392	A40260GB A40260AG	5.236 5.236	6.545 6.545
	A402 90 Speilskap med to dører og belysning.				
	Speil også på innsiden av dørene. Strømbryter og 230 V stikkontakt inne i skapet. Leveres med fire glasshyller. For fast montering på vegg. Den elektriske installasjonen skal utføres av autorisert elektriker. Leveres med alt monteringsmateriell. Kapslingsklasse IP44. For montering i sone 2 på badet. Med to lysrør à 14 W.				
	Matt grå Hvit melamin	7031395 7031394	A40290GB A40290AG	5.904 5.904	7.380 7.380

Artic baderomsmøbler

	NRF. NR.	ART. NR.	VEIL. PRIS EKS. MVA.	VEIL. PRIS INKL. MVA.
<p>4860 Servantskap med hel topplate</p> <p>Black Oak Natural Oak Matte White</p> <p>Artic nedfellingservant 4551 med C+</p> <p>TILBEHØR</p> <p>Se håndtak side 42</p>	7031498	GB714860BO0000	6.486	8.108
	7031499	GB714860NO0000	6.333	7.916
	7031501	GB714860DH0000	5.065	6.331
	6020112	GB1145510101	1.664	2.080
	6020058	GB114551R101	2.374	2.968
<p>4875 Servantskap med hel topplate</p> <p>Black Oak Natural Oak Matte White</p> <p>Artic nedfellingservant 4551 med C+</p> <p>TILBEHØR</p> <p>Se håndtak side 42</p>	7031502	GB714875BO0000	7.936	9.920
	7031503	GB714875NO0000	7.783	9.729
	7031504	GB714875DH0000	5.902	7.378
	6020112	GB1145510101	1.664	2.080
	6020058	GB114551R101	2.374	2.968
<p>48100 Servantskap med hel topplate</p> <p>Black Oak Natural Oak Matte White</p> <p>Artic nedfellingservant 4551 med C+</p> <p>TILBEHØR</p> <p>Se håndtak side 42</p>	7031505	GB714810BO0000	8.928	11.160
	7031506	GB714810NO0000	8.699	10.874
	7031507	GB714810DH0000	6.719	8.399
	6020112	GB1145510101	1.664	2.080
	6020058	GB114551R101	2.374	2.968
<p>48150 Servantskap med hel topplate</p> <p>Black Oak Natural Oak Matte White</p> <p>Artic nedfellingservant 4551 med C+</p> <p>TILBEHØR</p> <p>Se håndtak side 42</p>	7031508	GB714815BO0000	15.566	19.458
	7031509	GB714815NO0000	14.804	18.505
	7031511	GB714815DH0000	11.657	14.571
	6020112	GB1145510101	1.664	2.080
	6020058	GB114551R101	2.374	2.968

	NRF. NR.	ART. NR.	VEIL. PRIS EKS. MVA.	VEIL. PRIS INKL. MVA.
 <p>4870 Høyskap Vendbart for høyre- eller venstre- monterte dører. Én fast og tre flyttbare hylleplater i tre.</p> <p>Black Oak Natural Oak Matte White</p> <p>TILBEHØR</p> <p>Se håndtak side 42</p>	7031512 7031513 7031514	GB714870BO00BO GB714870NO00NO GB714870DH00DH	5.471 5.148 4.181	6.839 6.435 5.226
 <p>Håndtak Passer til alle skap</p> <p>Modell F, c-c 128 mm, Classy Chrome Modell F, c-c 192 mm, Classy Chrome Modell F, c-c 320 mm, Classy Chrome Modell F, c-c 128 mm, Anthracite Modell F, c-c 192 mm, Anthracite Modell F, c-c 320 mm, Anthracite Modell G, c-c 192 mm, Classy Chrome Modell G, c-c 192 mm, Anthracite</p>	7031485 7031486 7031487 7031488 7031489 7031491 7031492 7031493	GB7148C128E GB7148C192E GB7148C320E GB7148A128F GB7148A192F GB7148A320F GB7148C192G GB7148A192G	61 84 110 61 84 110 110 110	76 105 138 76 105 138 138 138
 <p>4888 60 Speilskap med to dører og LED-belysning over og under skapet.</p> <p>Speil også på innsiden av dørene. 230 V stikkontakt inne i skapet. Leveres med to flyttbare glasshyller. For fast montering på vegg. Den elektriske installasjonen skal utføres av autorisert elektriker. Leveres med alt monteringsmateriell. Kapslingsklasse IP44. For montering i sone 2 på badet. LED-belysning.</p> <p>Black Oak Natural Oak Matte White</p>	7031515 7031516 7031517	GB71488860BO GB71488860NO GB71488860DH	4.575 4.382 4.188	5.719 5.478 5.235
 <p>4888 75 Speilskap med to dører og LED-belysning over og under skapet.</p> <p>Speil også på innsiden av dørene. 230 V stikkontakt inne i skapet. Leveres med to flyttbare glasshyller. For fast montering på vegg. Den elektriske installasjonen skal utføres av autorisert elektriker. Leveres med alt monteringsmateriell. Kapslingsklasse IP44. For montering i sone 2 på badet. LED-belysning.</p> <p>Black Oak Natural Oak Matte White</p>	7031518 7031519 7031521	GB71488875BO GB71488875NO GB71488875DH	5.090 4.833 4.446	6.363 6.041 5.558

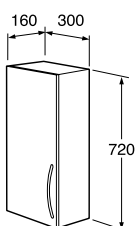
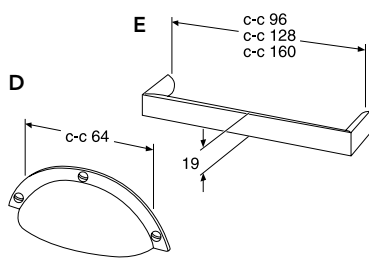
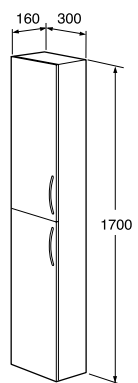
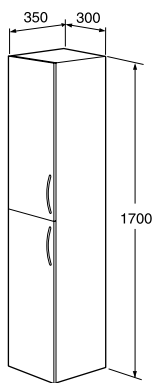
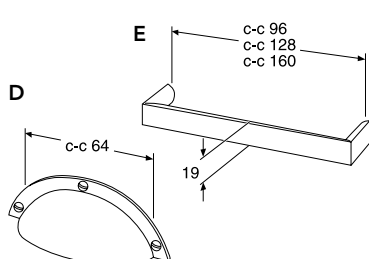
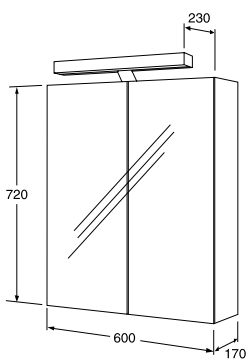
	NRF. NR.	ART. NR.	VEIL. PRIS EKS. MVA.	VEIL. PRIS INKL. MVA.
<p>4888 100 Speilskap med to dører og LED-belysning over og under skapet.</p> <p>Speil også på innsiden av dørene. 230 V stikkontakt inne i skapet. Leveres med to flyttbare glasshyller. For fast montering på vegg. Den elektriske installasjonen skal utføres av autorisert elektriker. Leveres med alt monteringsmateriell. Kapslingsklasse IP44. For montering i sone 2 på badet. LED-belysning.</p> <p>Black Oak Natural Oak Matte White</p>	7031522 7031523 7031524	GB71488810BO GB71488810NO GB71488810DH	5.735 5.477 4.962	7.169 6.846 6.203
<p>4888 150 Speilskap med fire dører og LED-belysning over og under skapet.</p> <p>Speil også på innsiden av dørene. 230 V stikkontakt inne i skapet. Leveres med fire flyttbare glasshyller. For fast montering på vegg. Den elektriske installasjonen skal utføres av autorisert elektriker. Leveres med alt monteringsmateriell. Kapslingsklasse IP44. For montering i sone 2 på badet. LED-belysning.</p> <p>Black Oak Natural Oak Matte White</p>	7031525 7031526 7031527	GB71488815BO GB71488815NO GB71488815DH	8.634 8.312 8.054	10.793 10.390 10.068
<p>4880 60 speil med belysning 4880 60 speil uten belysning</p>		GB7148806000 GB7148806000U	1930 967	2.413 1.209
<p>4880 75 Speil med belysning 4880 75 Speil uten belysning</p>		GB7148807500 GB7148807500U	2.059 1.128	2.574 1.410

	NRF. NR.	ART. NR.	VEIL. PRIS EKS. MVA.	VEIL. PRIS INKL. MVA.
<p>4880 100 Speil med belysning 4880 100 Speil uten belysning</p>		GB7148801000 GB7148801000U	2.381 1.285	2.976 1.606
<p>4880 150 Speil med belysning 4880 150 Speil uten belysning</p>		GB7148801500 GB7148801500U	3.190 2.249	3.988 2.811
Logic baderomsmøbler				
<p>1850 Logic møbelpakke Med servant 5189. Skapet har dører i hvit melamin, et hylleplan og medfølgende håndtak (modell A).</p> <p>Møbelpakke med armaturhull til venstre på servanten 703 12 22 Møbelpakke med armaturhull til høyre på servanten 703 12 21</p>		GB71185001L00 GB71185001R00	2.760 2.760	3.450 3.450
<p>Servant 5169 f/bolter/skapmontering, 620 x 430 mm</p> <p>Med overløp 6020143 Med overløp, C+ 6020144</p> <p>1860 servantskap, skrog hvitt Skuffefront, Perfect White 7031043 Skuffefront, Sinful Black 7031062 Skuffefront, Moody Blue 7031063 Skuffefront, Crazy Orange 7031117 Skuffefront, Hvit melamin 7031118 7031061</p>		51699901 516999R1	2.023 2.732	2.529 3.415
<p>TILBEHØR</p> <p>Håndtak A 7031082 Håndtak C 7031084</p> <p>Støtteben</p> <p>Forkrommede. Justerbare 320–340 mm, 2 stk. 7031002 Topplate* 600 mm til servantskap 1860, hvit 7031046</p>		GB711800001A GB711800001C	59 129	74 161
<p>A</p> <p>C</p>		GB7118000004 GB7118600201	180 690	225 863

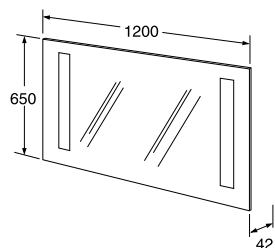
	NRF. NR.	ART. NR.	VEIL. PRIS EKS. MVA.	VEIL. PRIS INKL. MVA.	
	Servant 5171 f/bolter/skapmontering, 920 x 430 mm				
		6020145	51719901	2.911	3.639
		6020146	517199R1	3.620	4.525
		1890 servantskap, skrog hvitt			
		7031044	GB7118900100	2.455	3.069
		7031066	GB71189000DH	1.472	1.840
		7031067	GB71189000EL	1.472	1.840
		7031119	7118900036	1.472	1.840
		7031121	GB7118900038	1.472	1.840
		7031065	GB71189000AG	502	628
		TILBEHØR			
			Håndtak (MERK! Bestill 2 stk.)		
	7031082	GB711800001A	59	74	
	7031084	GB711800001C	129	161	
	Støtteben				
	Forkrommede. Justerbare 320–340 mm, 2 stk.				
	7031002	GB7118000004	180	225	
	7031047	GB7118900201	1.038	1.298	
	1812 Logic sideskap i kombinasjon med 1860 Logic servantskap f/bolter/skapmontering, 1220x430 mm 5188 heldekkende møbelservant				
		6020147	51889901	3.692	4.615
		6020148	518899R1	4.401	5.501
		Med overløp Med overløp C+			
		For 120 cm løsning må 60 skap med front og håndtak bestilles i tillegg.			
		7031045	GB7118120100	795	994
		7031071	GB71181200DH	683	854
		7031072	GB71181200EL	683	854
		7031122	GB7118120036	683	854
		7031123	GB7118120038	683	854
		7031069	GB71181200AG	210	263
		TILBEHØR			
	Håndtak A				
	7031082	GB711800001A	59	74	
	7031083	GB711800001B	88	110	
	7031084	GB711800001C	129	161	
	Støtteben				
	Forkrommede. Justerbare 320–340 mm, 2 stk.				
	7031002	GB7118000004	180	225	
	7031048	GB7118120201	1.381	1.726	
	Topplate 1200 mm til servantskap 1812+1860, hvitt				

	NRF. NR.	ART. NR.	VEIL. PRIS EKS. MVA.	VEIL. PRIS INKL. MVA.
	1810 Veggskap Dør for høyre- eller venstremontering. Med flyttbar hylle i tre.			
	Veggskap skrog, hvitt Dør, Perfect White Dør, Sinful Black Dør, Moody Blue Dør, Crazy Orange Håndtak A Håndtak B	7031195 7031197 7031077 7031124 7031125 7031082 7031083	GB7118100100 GB71181000DH GB71181000EL GB7118100036 GB7118100038 GB711800001A GB711800001B	695 1.075 1.075 1.075 1.075 59 88
	1820 Kassettskap Med vendbar dør for høyre- eller venstremontering. Forkrommet håndtak bestilles separat.			
	Kassettskap skrog, hvitt Dør, Perfect White Dør, Sinful Black Dør, Moody Blue Dør, Crazy Orange Håndtak A Håndtak B	7031206 7031208 7031079 7031126 7031127 7031082 7031083	GB7118200100 GB71182000DH GB71182000EL GB7118200036 GB7118200038 GB711800001A GB711800001B	556 537 537 537 537 59 88
	1870 Høyskap, dybde 160 mm Med to vendbare dører for høyre- eller venstremontering. Med to flyttbare hylleplan i tre. Forkrommede håndtak bestilles separat.			
	Høyskap skrog, hvitt, dybde 16 cm Dør, Perfect White (bestill 2 stk.) Dør, Sinful Black (bestill 2 stk.) Dør, Moody Blue (bestill 2 stk.) Dør, Crazy Orange (Bestill 2 stk.) Håndtak A (bestill 2 stk.) Håndtak B (bestill 2 stk.)	7031212 7031214 7031081 7031128 7031129 7031082 7031083	GB7118700100 GB71187000DH GB71187000EL GB7118700036 GB7118700038 GB711800001A GB711800001B	1.515 1.177 1.177 1.177 1.177 59 88
	1871 Høyskap, dybde 350 mm Med to vendbare dører for høyre- eller venstremontering. Med to flyttbare hyller i tre. Forkrommede håndtak bestilles separat.			
	Høyskap skrog, hvitt, dybde 35 cm Dør, Perfect White (bestill 2 stk.) Dør, Sinful Black (bestill 2 stk.) Dør, Moody Blue (bestill 2 stk.) Dør, Crazy Orange (Bestill 2 stk.) Håndtak A (Bestill 2 stk.) Håndtak B (Bestill 2 stk.)	7031131 7031214 7031081 7031128 7031129 7031082 7031083	GB7118710100 GB71187000DH GB71187000EL GB7118700036 GB7118700038 GB711800001A GB711800001B	1.965 1.177 1.177 1.177 1.177 59 88

	NRF. NR.	ART. NR.	VEIL. PRIS EKS. MVA.	VEIL. PRIS INKL. MVA.
<p>Logic møbelservant 5169, f/bolter/skapmontering</p> <p>Med overløp Med overløp, C+</p> <p>1862 servantskap med to skuffer og fleksibel vannlås</p> <p>Skrog, hvitt Skuffefront, Classy White Skuffefront, Woody Grey</p> <p>TILBEHØR</p> <p>Håndtak. Bestill ønsket antall.</p> <p>Modell D Modell E96 Modell E128 Modell E160</p>	6020143	51699901	2.023	2.529
	6020144	516999R1	2.732	3.415
	7031397	GB7118620100	2.810	3.513
	7031401	GB7118620001	2.435	3.044
	7031404	GB71186200WG	2.134	2.668
	7031494	GB711800001D	85	106
	7031495	GB711800001E96	77	96
	7031496	GB711800001E128	85	106
	7031497	GB711800001E160	92	115
	<p>Logic møbelservant 5171, f/bolter/skapmontering</p> <p>Med overløp Med overløp C+</p> <p>1892 servantskap med to skuffer og fleksibel vannlås</p> <p>Skrog, hvitt Skuffefront, Classy White Skuffefront, Woody Grey</p> <p>TILBEHØR</p> <p>Håndtak. Bestill ønsket antall.</p> <p>Modell D Modell E96 Modell E128 Modell E160</p>	6020145	51719901	2.911
6020146		517199R1	3.620	4.525
7031398		GB7118920100	2.955	3.694
7031402		GB7118920001	2.965	3.706
7031405		GB71189200WG	2.626	3.283
7031494		GB711800001D	85	106
7031495		GB711800001E96	77	96
7031496		GB711800001E128	85	106
7031497		GB711800001E160	92	115
<p>Logic møbelservant 5188 f/skapmontering</p> <p>Med overløp Med overløp, C+</p> <p>1822 servantskap med to skuffer og fleksibel vannlås</p> <p>Skrog, hvitt Skuffefront, Classy White Skuffefront, Woody Grey</p> <p>TILBEHØR</p> <p>Håndtak. Bestill ønsket antall.</p> <p>Modell D Modell E96 Modell E128 Modell E160</p>		6020147	51889901	3.692
	6020148	518899R1	4.401	5.501
	7031399	GB7118220100	3.425	4.281
	7031403	GB7118220001	4.030	5.038
	7031406	GB71182200WG	3.399	4.249
	7031494	GB711800001D	85	106
	7031495	GB711800001E96	77	96
	7031496	GB711800001E128	85	106
	7031497	GB711800001E160	92	115

	NRF. NR.	ART. NR.	VEIL. PRIS EKS. MVA.	VEIL. PRIS INKL. MVA.
 <p>1810 Veggskap Vendbare dører for høyre-/venstremontering, inklusive én flyttbar hylleplate.</p> <p>Veggskap skrog, hvitt Dør, Classy White Dør, Woody Grey</p> <p>TILBEHØR Håndtak. Bestill ønsket antall.</p> <p>Modell D Modell E96 Modell E128 Modell E160</p> 	7031195 7031414 7031415	GB7118100100 GB7118100001 GB71181000WG	695 1.152 1.146	869 1.440 1.433
 <p>1870 Høyskap, dybde 160 mm</p> <p>Vendbare dører for høyre-/venstremontering, inklusive to flyttbare hylleplater.</p> <p>Høyskap skrog, hvitt, dybde 16 cm Dør, Classy White (bestill 2 stk.) Dør, Woody Grey (bestill 2 stk.)</p>  <p>1871 Høyskap, dybde 350 mm</p> <p>Høyskap skrog, hvitt, dybde 35 cm Dør, Classy White (bestill 2 stk.) Dør, Woody Grey (bestill 2 stk.)</p> <p>TILBEHØR Håndtak. Bestill ønsket antall.</p> <p>Modell D Modell E96 Modell E128 Modell E160</p> 	7031212 7031407 7031408	GB7118700100 GB7118700001 GB71187000WG	1.515 1.892 1.422	1.894 2.365 1.778
 <p>1882 60 Speilskap med to dører</p> <p>Speil også på innsiden av dørene. To flyttbare hylleplater i glass. Kan kompletteres med belysning og/eller stikkontakt med IP 44.</p> <p>Hvitt</p> <p>TILBEHØR Lysrampe, IP44 W8 Stikkontakt IP44</p>	7031409 7031024 7031025	GB7118826001 GB7118824600 GB711800220	3.307 479 197	4.134 599 246

	NRF. NR.	ART. NR.	VEIL. PRIS EKS. MVA.	VEIL. PRIS INKL. MVA.
<p>1882 90 Speilskap med tre dører</p> <p>Består av enheter på henholdsvis 60 og 30 cm. Velg om enheten på 30 cm skal være til høyre eller venstre. Speil også på innsiden av dørene. To flyttbare hylleplater i glass. Kan kompletteres med belysning og/eller stikkontakt med IP 44.</p> <p>Hvit</p> <p>TILBEHØR</p> <p>Lysrampe, IP44 W8 Stikkontakt IP44</p>	7031141	GB7118829001	4.917	6.146
<p>1835 Speil 600 x 720 mm</p> <p>Passer til belysningsrampe 1831</p> <p>TILBEHØR</p> <p>1831 Lysrampe</p> <p>Med to innfelte LED-lamper og 230 V-uttak, for tilkobling til jordfeilbryter. For fastmontering på vegg i kombinasjon med Speil 1835.</p> <p>Hvit</p>	7031218	GB7118356001	1.026	1.283
<p>1880-60 Speil med belysning</p> <p>Beregnet for fast montering på vegg. Elektrisk installasjon må utføres av autorisert installatør. Alle monteringsdetaljer medfølger. Kapslingsklasse IP44. For montering i område 2 i baderommet. Med to lysrør á 13 W.</p> <p>1880-60 speil 600 x 650 mm 1880-60 speil 600 x 650 mm, med stikkontakt</p>	7031085 7031142	GB7118806000 GB7118806011	2.690 2.847	3.363 3.559
<p>1880-90 Speil med belysning</p> <p>Beregnet for fast montering på vegg. Elektrisk installasjon må utføres av autorisert installatør. Alle monteringsdetaljer medfølger. Kapslingsklasse IP44. For montering i område 2 i baderommet. Med to lysrør á 13 W.</p> <p>1880-90 speil 900 x 650 mm 1880-90 speil 900 x 650 mm, med stikkontakt</p>	7031086 7031143	GB7118809000 GB7118809011	3.065 3.219	3.831 4.024


1880-120 Speil med belysning

Beregnet for fast montering på vegg.
 Elektrisk installasjon må utføres av autorisert installatør.
 Alle monteringsdetaljer medfølger.
 Kapslingsklasse IP44.
 For montering i område 2 i baderommet.
 Med to lysrør á 13 W.

1880-120 speil 1200 x 650 mm
 1880-120 speil 1200 x 650 mm,
 med stikkontakt

NRF. NR.

ART. NR.

 VEIL. PRIS
 EKS. MVA.

 VEIL. PRIS
 INKL. MVA.

 7031087
 7031144

 GB7118801200
 GB7118801211

 3.440
 3.589

 4.300
 4.486

Badekar i emaljert stålplate med hel- eller halvfrontstativ

	NRF. NR.	ART. NR.	VEIL. PRIS EKS. MVA.	VEIL. PRIS INKL. MVA.
<p>1300 Badekar 1300x700 mm uten ben m/bunnventil og utløpsrør, hvitt</p> <p>7013 Helfrontstativ m/en front og gavl, hvitt 7513 Tilleggsfront 7570 Tilleggsende</p> <p>6013 Halvfrontstativ m/en front og en gavl 6513 Tilleggsfront 6570 Tilleggsgavl</p> <p>6213 Kompletteringssett front/gavl For komplettering av allerede installert halvfront til helfront</p> <p>1300 Badekar med glazeplus 1300 Badekar med antisklibehandling 1300 Badekar med borehull for to støttehåndtak</p> <p>To støttehåndtak</p>	6030203	GB2113000100	5.177	6.471
	6031115	GB2170130100	2.756	3.445
	6031136	GB2175130100	976	1.220
	6031164	GB2175700100	442	553
	6031145	GB2160130100	2.576	3.220
	6031155	GB2165130100	892	1.115
	6031159	GB2165700100	385	481
	6031194	GB2162130100	708	885
		GB2113000113	6.746	8.433
		GB2113000112	6.746	8.433
		GB2113000111	6.746	8.433
		GB208B080901	1.883	2.354
<p>1400 Badekar 1400x700 mm uten ben m/bunnventil og utløpsrør</p> <p>7014 Helfrontstativ 7514 Tilleggsfront 7570 Tilleggsgavl</p> <p>6014 Halvfrontstativ m/front og en gavl 6514 Tilleggsgavl 6570 Tilleggsgavl</p> <p>6214 Kompletteringssett front/gavl For komplettering av allerede installert halvfront til helfront</p> <p>1400 Badekar med glazeplus 1400 Badekar med antisklibehandling 1400 Badekar med borehull for to støttehåndtak</p> <p>To støttehåndtak</p>	6030204	GB2114000100	3.647	4.559
	6031116	GB2170140100	2.337	2.921
	6031137	GB2175140100	976	1.220
	6031164	GB2175700100	442	553
	6031146	GB2160140100	2.576	3.220
	6031156	GB2165140100	892	1.115
	6031159	GB2165700100	385	481
	6031195	GB2162140100	708	885
		GB2114000113	5.215	6.519
		GB2114000112	5.215	6.519
		GB2114000111	5.215	6.519
		GB208B080901	1.883	2.354
<p>1500 Badekar 1500x700mm, uten ben m/bunnventil og utløpsrør, hvitt</p> <p>7015 Helfrontstativ m/front og en gavl, hvit 7515 Tilleggsfront 7570 Tilleggsgavl</p> <p>6015 Halvfrontstativ med en front og en gavl 6515 Tilleggsfront 6570 Tilleggsfront</p> <p>6215 Kompletteringssett, front/gavl For komplettering av allerede installert halvfront til helfront</p> <p>1500 Badekar med glazeplus 1500 Badekar med antisklibehandling 1500 Badekar med borehull for to støttehåndtak</p> <p>To støttehåndtak</p>	6030207	GB2115000100	3.816	4.770
	6031117	GB2170150100	2.258	2.823
	6031138	GB2175150100	943	1.179
	6031164	GB2175700100	427	534
	6031147	GB2160150100	2.489	3.111
	6031157	GB2165150100	862	1.078
	6031159	GB2165700100	372	465
	6031196	GB2162150100	708	885
		GB2115000113	5.384	6.730
		GB2115000112	5.384	6.730
		GB2115000111	5.384	6.730
		GB208B080901	1.883	2.354

	NRF. NR.	ART. NR.	VEIL. PRIS EKS. MVA.	VEIL. PRIS INKL. MVA.	
<p>1570 Badekar 1570x700 mm uten ben, m/bunnventil og utløpsrør</p> <p>Hvitt. For rehabilitering 7016 Helfrontstativ m/front og gavl, hvitt Crazy Orange Moody Blue Sinful Black</p> <p>7516 Tilleggsfront 7570 Tilleggsgavl</p> <p>6016 Halvfrontstativ m/front og en gavl 6516 Tilleggsfront 6570 Tilleggsgavl</p> <p>6216 Kompletteringssett front/gavl For komplettering av allerede installert halvfront til helfront</p> <p>1570 Badekar med glazeplus 1570 Badekar med antisklibehandling 1570 Badekar med borehull for to støttehåndtak</p> <p>To støttehåndtak</p>	6030208	GB2115700100	4.544	5.680	
	6031118	GB2170160100	2.337	2.921	
	6030234	GB2170163800	3.258	4.073	
	6030235	GB2170163600	3.258	4.073	
	6030236	GB2170165600	3.258	4.073	
	6031139	GB2175160100	976	1.220	
	6031164	GB2175700100	442	553	
	6031148	GB2160160100	2.576	3.220	
	6031158	GB2165160100	892	1.115	
	6031159	GB2165700100	385	481	
	6031197	GB2162160100	708	885	
			GB2115700113	6.113	7.641
			GB2115700112	6.113	7.641
			GB2115700111	6.113	7.641
			GB208B080901	1.883	2.354
<p>Badekar i emaljert stålplate med hel- eller halvfrontstativ</p>					
<p>1600 Badekar 1600x700mm uten ben, m/bunnventil og utløpsrør</p> <p>7016 Helfrontstativ m/front og gavl Crazy Orange Moody Blue Sinful Black</p> <p>7516 Tilleggsfront 7570 Tilleggsgavl</p> <p>6016 Halvfrontstativ m/front og en gavl 6516 Tilleggsfront 6570 Tilleggsgavl</p> <p>6216 Kompletteringssett front/gavl For komplettering av allerede installert halvfront til helfront</p> <p>1600 Badekar med glazeplus 1600 Badekar med antisklibehandling 1600 Badekar med borehull for to støttehåndtak</p> <p>To støttehåndtak</p>	6030209	GB2116000100	3.185	3.981	
	6031118	GB2170160100	2.337	2.921	
	6030234	GB2170163800	3.258	4.073	
	6030235	GB2170163600	3.258	4.073	
	6030236	GB2170165600	3.258	4.073	
	6031139	GB2175160100	976	1.220	
	6031164	GB2175700100	442	553	
	6031148	GB2160160100	2.576	3.220	
	6031158	GB2165160100	892	1.115	
	6031159	GB2165700100	385	481	
	6031197	GB2162160100	708	885	
			GB2116000113	4.753	5.941
			GB2116000112	4.753	5.941
			GB2116000111	4.753	5.941
			GB208B080901	1.883	2.354

	NRF. NR.	ART. NR.	VEIL. PRIS EKS. MVA.	VEIL. PRIS INKL. MVA.	
	1603 Duokar 1600x700mm uten ben, m/bunnventil og utløpsrør	6030215	7.504	9.380	
	7016 Helfrontstativ med en front og en gavl, hvitt	6031118	2.337	2.921	
	Crazy Orange	6030234	3.258	4.073	
	Moody Blue	6030235	3.258	4.073	
	Sinful Black	6030236	3.258	4.073	
	7516 Tilleggsfront	6031139	976	1.220	
	7570 Tilleggsgavl	6031164	442	553	
	6016 Halvfrontstativ med en front og en gavl	6031148	2.576	3.220	
	6516 Tilleggsfront	6031158	892	1.115	
	6570 Tilleggsgavl	6031159	385	481	
	6216 Kompletteringssett front/gavl For komplettering av allerede installert halvfront til helfront	6031197	708	885	
	1603 Badekar med glazeplus	GB2116030113	9.036	11.294	
	1603 Badekar med antisklibehandling	GB2116030112	9.036	11.294	
	1603 Badekar med borehull for to støttehåndtak	GB2116030111	9.036	11.294	
	To støttehåndtak	GB208B080901	1.883	2.354	
		1607 Kombikar 1600x700mm uten ben, med bunnventil og utløpsrør	6030221	10.548	13.185
		7016 Helfrontstativ med en front og en gavl, hvitt	6031118	2.337	2.921
		Crazy Orange	6030234	3.258	4.073
		Moody Blue	6030235	3.258	4.073
		Sinful Black	6030236	3.258	4.073
7516 Tilleggsfront		6031139	976	1.220	
7570 Tilleggsgavl		6031164	442	553	
6016 Halvfrontstativ med en front og en gavl		6031148	2.576	3.220	
6516 Tilleggsfront		6031158	892	1.115	
6570 Tilleggsgavl		6031159	385	481	
	6216 Kompletteringssett front/gavl For komplettering av allerede installert halvfront til helfront	6031197	708	885	
	1607 Badekar med glazeplus	GB2116070113	12.116	15.145	
	1607 Badekar med antisklibehandling	GB2116070112	12.116	15.145	
	1607 Badekar med borehull for to støttehåndtak	GB2116070111	12.116	15.145	
	To støttehåndtak	GB208B080901	1.883	2.354	

	NRF. NR.	ART. NR.	VEIL. PRIS EKS. MVA.	VEIL. PRIS INKL. MVA.		
	1707 Badekar 1700x700mm. Hvitt. uten ben, m/bunnventil og utløpsrør	6030222	GB2117070100	10.548	13.185	
	7017 Helfrontstativ med en front og en gavl	6031119	GB2170170100	2.337	2.921	
	7517 Tilleggsfront	6031162	GB2175170100	1.093	1.366	
	7570 Tilleggsgavl	6031164	GB2175700100	442	553	
	1707 Badekar med glazeplus		GB2117070113	12.116	15.145	
	1707 Badekar med antisklibehandling		GB2117070112	12.116	15.145	
	1707 Badekar med borehull for to støttehåndtak		GB2117070111	12.116	15.145	
	To støttehåndtak		GB208B080901	1.883	2.354	
		1700 Badekar 1700x700 mm uten benstilling med bunnventil	6030217	GB2117000100	3.931	4.914
		7017 Helfrontstativ med en front og en gavl	6031119	GB2170170100	2.337	2.921
7517 Tilleggsfront		6031162	GB2175170100	1.093	1.366	
7570 Tilleggsgavl		6031164	GB2175700100	442	553	
1700 Badekar med glazeplus			GB2117000113	5.500	6.875	
1700 Badekar med antisklibehandling			GB2117000112	5.500	6.875	
1700 Badekar med borehull for to støttehåndtak			GB2117000111	5.500	6.875	
To støttehåndtak			GB208B080901	1.883	2.354	
		1051 Sittebadekar 1050x650 mm. Hvitt. uten ben, m/bunnventil og utløpsrør.	6030201	GB2110510100	5.238	6.548
		7010 Helfrontstativ med en front og en gavl	6031127	GB2170100100	3.154	3.943
	7510 Tilleggsfront	6031135	GB2175100100	976	1.220	
	7565 Tilleggsgavl	6031163	GB2175650100	442	553	
	1051 Badekar med glazeplus		GB2110510113	6.806	8.508	
	1051 Badekar med antisklibehandling		GB2110510112	6.806	8.508	
	1051 Badekar med borehull for to støttehåndtak		GB2110510111	6.806	8.508	
	To støttehåndtak		GB208B060901	1.883	2.353	

Frittstående badekar i emaljert stål

	NRF. NR.	ART. NR.	VEIL. PRIS EKS. MVA.	VEIL. PRIS INKL. MVA.		
		1571 Badekar, 1570x700 mm uten stativ med oppløftsventil	6030232	GB2115710100	4.548	5.685
		1016 Stativ med justerbare ben	6030233	GB2110160100	1.681	2.101
		1051 Badekar med glazeplus		GB2115710113	6.117	7.646
		1051 Badekar med antisklibehandling		GB2115710112	6.117	7.646
		1051 Badekar med borehull for to støttehåndtak		GB2115710111	6.117	7.646
	To støttehåndtak		GB208B060901	1.883	2.353	
		6316 Frittstående badekar, 1580x680 mm Perfect White, inklusiv hvite ben, forkrommet bunnventil, hvitt avløpsrør	6030273	GB2063160101	9.715	12.144
		6316 Frittstående badekar, 1580x680 mm Perfect White, uten ben, med forkrommet bunnventil og hvitt avløpsrør	6030276	GB2063160001	8.439	10.549
		Badekar i Sinful Black, 1580x680 mm uten ben, med forkrommet bunnventil, hvitt avløpsrør	6030462	GB2063165601	10.740	13.425
		<i>Løse ben for komplettering av kar</i> <i>OBS! Bestill to par pr kar</i>				
		Perfect White ben, par	6031844	GB2921200353	829	1.036
		Sinful Black ben, par	6031843	GB2921200359	829	1.036
		Classy Chrome ben, par	6031842	GB2921200358	2.240	2.800
		Forkrommet avløpsrør	6031732	GB2924300164	592	740
		6316 hvitt, med hvite ben. Med glazeplus, forkrommet bunnventil, hvitt avløpsrør		GB2063160113	11.284	14.104
		Med antisklibehandling, forkrommet bunnventil, hvitt avløpsrør		GB2063160112	11.284	14.104
		6316 hvitt, uten ben*. Med glazeplus, forkrommet bunnventil, hvitt avløpsrør		GB2063160013	10.008	12.511
		Med antisklibehandling, forkrommet bunnventil, hvitt avløpsrør		GB2063160012	10.008	12.511
		6316 sort, uten ben. Med glazeplus, forkrommet bunnventil, hvitt avløpsrør		GB2063165613	12.308	15.385
		Med antisklibehandling, forkrommet bunnventil, hvitt avløpsrør		GB2063165612	12.308	15.385
		To støttehåndtak		GB208B080901	1.883	2.354

BADEKAR

	NRF. NR.	ART. NR.	VEIL. PRIS EKS. MVA.	VEIL. PRIS INKL. MVA.
	6368 Frittstående badekar, 680x730 mm			
	6030264	GB2063680101	10.259	12.824
	med ben i Perfect White, med forkrommet bunnventil, hvitt avløpsrør			
	6368 Frittstående badekar uten ben			
	6030277	GB2063680001	8.722	10.903
	1680x730 mm, med forkrommet bunnventil, hvitt avløpsrør			
	Badekar i Sinful Black, 1580x680 mm			
	6030461	GB2063685601	11.273	14.091
	uten ben, med forkrommet bunnventil, hvitt avløpsrør			
	<i>Løse ben for komplettering av kar OBS! Bestill to par pr kar.</i>			
	6031844	GB2921200353	829	1.036
	6031843	GB2921200359	829	1.036
	6031842	GB2921200358	2.240	2.800
	6031732	GB2924300164	592	740
		GB2063680113	11.827	14.784
		GB2063680112	11.827	14.784
		GB2063680013	10.290	12.862
		GB2063680012	10.290	12.862
		GB2063685613	12.863	16.079
		GB2063685612	12.863	16.079
		GB208B080901	1.883	2.354

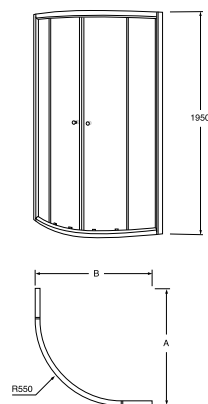
Innbyggingsbadekar i emaljert stålplate

	NRF. NR.	ART. NR.	VEIL. PRIS EKS. MVA.	VEIL. PRIS INKL. MVA.	
	3400 Badekar for innbygging, 1400x700 mm		4.483	5.604	
	Ben til badekar for innbygging		6030246 GB2083400100	381	476
	Overløpssystem		6030259 GB208B231500	801	1.001
	Propp og vrider		6031722 GB2924300155	288	360
			6031723 GB2924300156		
	3400 badekar for innbygging uten ben				
	Med glazeplus		GB2083400113	6.013	7.517
	Med antisklibehandling		GB2083400112	6.013	7.517
	Med borehull for støttehåndtak		GB2083400111	6.013	7.517
	To støttehåndtak		GB208B080901	1.883	2.354
	3500 Badekar for innbygging, 1500x700 mm		3.048	3.810	
	Ben til badekar for innbygging		6030247 GB2083500100	381	476
	Overløp		6030259 GB208B231500	801	1.001
	Propp og vrider		6031722 GB2924300155	288	360
			6031723 GB2924300156		
	3500 badekar for innbygging uten ben				
	Med glazeplus		GB2083500113	4.579	5.724
	Med antisklibehandling		GB2083500112	4.579	5.724
	Med borehull for støttehåndtak		GB2083500111	4.579	5.724
	To støttehåndtak		GB208B080901	1.883	2.354
	3600 Badekar for innbygging, 1600x700 mm		3.048	3.810	
	Ben til badekar for innbygging		6030248 GB2083600100	381	476
	Overløpssystem		6030259 GB208B231500	801	1.001
	Propp og vrider		6031722 GB2924300155	288	360
			6031723 GB2924300156		
	3600 badekar for innbygging uten ben				
	Med glazeplus		GB2083600113	4.579	5.724
	Med antisklibehandling		GB2083600112	4.579	5.724
	Med borehull for støttehåndtak		GB2083600111	4.579	5.724
	To støttehåndtak		GB208B080901	1.883	2.354
	3970 Badekar for innbygging, 1700x700 mm		3.896	4.870	
	Ben til badekar for innbygging		6030249 GB2083970100	381	476
	Overløpssystem		6030259 GB208B231500	801	1.001
	Propp og vrider		6031722 GB2924300155	288	360
			6031723 GB2924300156		
	3970 badekar for innbygging uten ben				
	Med glazeplus		GB2083970113	5.427	6.783
	Med antisklibehandling		GB2083970112	5.427	6.783
	Med borehull for støttehåndtak		GB2083970111	5.427	6.783
	To støttehåndtak		GB208B080901	1.883	2.354
	1220 Duokar for innbygging, 1600x700 mm		7.118	8.898	
	Ben til badekar for innbygging		6030251 GB2081220100	381	476
	Overløpssystem		6030259 GB208B231500	801	1.001
	Propp og vrider		6031722 GB2924300155	288	360
			6031723 GB2924300156		
	1220 badekar for innbygging uten ben				
	Med glazeplus		GB2081220113	8.648	10.811
	Med antisklibehandling		GB2081220112	8.648	10.811
	Med borehull for støttehåndtak		GB2081220111	8.648	10.811
	To støttehåndtak		GB208B080901	1.883	2.354

	NRF. NR.	ART. NR.	VEIL. PRIS EKS. MVA.	VEIL. PRIS INKL. MVA.
	1380 Duokar for innbygging, 1700x750 mm Ben til badekar for innbygging Overløp Propp og vrider	6030252 GB2081380100 6030259 GB208B231500 6031722 GB2924300155 6031723 GB2924300156	7.118 381 801 288	8.898 476 1.001 360
	1380 badekar for innbygging uten ben Med glazeplus Med antisklibehandling Med borehull for støttehåndtak To støttehåndtak		GB2081380113 GB2081380112 GB2081380111 GB208B080901	8.648 8.648 8.648 1.883
	3410 Badekar for innbygging, 1600x700 mm Ben til badekar for innbygging Overløpssystem Propp og vrider	6030253 GB2083410100 6030259 GB208B231500 6031723 GB208B596901 6031723 GB2924300156	7.118 381 801 288	8.898 476 1.001 360
	To støttehåndtak GB208B080901		1.883	2.354
	3411 Badekar for innbygging, 1700x700 mm Ben til badekar for innbygging Overløpssystem Propp og vrider	6030254 GB2083411100 6030259 GB208B231500 6031723 GB208B596901 6031723 GB2924300156	7.118 381 801 288	8.898 476 1.001 360
	To støttehåndtak GB208B080901		1.883	2.354
	6830 Badekar for innbygging, 1800x800 mm Ben til badekar for innbygging Overløpssystem Propp og vrider	6030255 GB2086830100 6030259 GB208B231500 6031722 GB2924300155 6031723 GB2924300156	12.290 381 801 288	15.363 476 1.001 360
	To støttehåndtak GB208B080901		1.883	2.354
	6831 Badekar for innbygging, 1900x900 mm Ben til badekar for innbygging Overløpssystem Propp og vrider	6030256 GB2086831100 6030259 GB208B231500 6031722 GB2924300155 6031723 GB2924300156	14.917 381 801 288	18.646 476 1.001 360
	To støttehåndtak GB208B080901		1.883	2.354
	2570 Badekar for innbygging, 157x700 mm Venstre Ben til badekar for innbygging Overløpssystem Propp og vrider	6030257 GB2082570100 6030259 GB208B231500 6031722 GB2924300155 6031723 GB2924300156	7.287 381 801 288	9.109 476 1.001 360
	To støttehåndtak GB208B080901		1.883	2.354

	NRF. NR.	ART. NR.	VEIL. PRIS EKS. MVA.	VEIL. PRIS INKL. MVA.
<p>2580 Badekar for innbygging 1570x700 mm</p> <p>Høyre Ben til badekar for innbygging Overløpssystem Propp og vrider</p> <p>To støttehåndtak</p>	<p>6030258 6030259 6031722 6031723</p>	<p>GB2082580100 GB208B231500 GB2924300155 GB2924300156</p> <p>GB208B080901</p>	<p>7.287 381 801 288</p> <p>1.883</p>	<p>9.109 476 1.001 360</p> <p>2.354</p>
<p>Tilvalg Skandic blandebatteri montert på badekarkanten</p>				
<p>Skandic termostatbatteri</p> <p>Med uttrekkbar håndduşj Multiplex Trio, fylling via overløp</p>	<p>6030265 6030267</p>	<p>GB41217143 U90600361</p>	<p>3.760 3.577</p>	<p>4.700 4.471</p>
<p>Skandic termostatbatteri</p> <p>Med uttrekkbar håndduşj Tut</p>	<p>6030265 6030266</p>	<p>GB41217143 GB41638390</p>	<p>3.760 313</p>	<p>4.700 391</p>
		Ventilasjonsrist	UCCOM1003	
<p>Nakkepute, sort</p>	6030268	U9009063000	338	423
<p>Håndtak (angi plassering ved bestilling)</p> <p>1 stk. 2 stk.</p>		<p>GB208B090901 GB208B080901</p>	<p>939 1.883</p>	<p>1.173 2.353</p>



DUSJVEGGER

NQ halvrundt dusjhjørne AxB med skyvedører

 NQ80G-C 80 x 80 cm, dør venstre, krom
 NQ80G-C 80 x 80 cm, dør høyre, krom

 6301562
 6301563

 UDW0080NAU221LN-61
 UDW0080NAU221RN-61

 3.302
 3.302

 4.128
 4.128

 NQ90G-C 90 x 90 cm, dør venstre, krom
 NQ90G-C 90 x 90 cm, dør høyre, krom

 6301564
 6301565

 UDW0090NAU221LN-61
 UDW0090NAU221RN-61

 3.159
 3.159

 3.949
 3.949

 NQ100G-C 100 x 100 cm, dør venstre, krom
 NQ100G-C 100 x 100 cm, dør høyre, krom

 6301566
 6301567

 UDW0100NAU221LN-61
 UDW0100NAU221RN-61

 3.519
 3.519

 4.399
 4.399

NE-C Utforingsprofil 40–65mm, krom

6301641

UPGUHWP-61

685

856

 NQ80G-W 80 x 80 cm, dør venstre, hvit
 NQ80G-W 80 x 80 cm, dør høyre, hvit

 6301552
 6301553

 UDW0080NAU221LN-01
 UDW0080NAU221RN-01

 3.302
 3.302

 4.128
 4.128

 NQ90G-W 90 x 90 cm, dør venstre, hvit
 NQ90G-W 90 x 90 cm, dør høyre, hvit

 6301554
 6301555

 UDW0090NAU221LN-01
 UDW0090NAU221RN-01

 3.084
 3.084

 3.855
 3.855

 NQ100G-W 100 x 100 cm, dør venstre, hvit
 NQ100G-W 100 x 100 cm, dør høyre, hvit

 6301556
 6301557

 UDW0100NAU221LN-01
 UDW0100NAU221RN-01

 3.519
 3.519

 4.399
 4.399

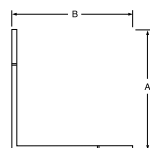
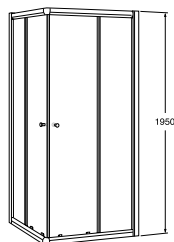
NE-W Utforingsprofil, 40–65 mm, hvit

6301639

UPGUHWP-01

685

856


NC firkantet dusjhjørne AxB med skyvedører

 NC80G-C, 80x80 cm, dør venstre, krom
 NC80G-C, 80x80 cm, dør høyre, krom

NRF. NR.

ART. NR.

 VEIL. PRIS
EKS. MVA.

 VEIL. PRIS
INKL. MVA.

 6301591
6301592

 UDW0080NAU222LN-61
UDW0080NAU222RN-61

 3.046
3.046

 3.808
3.808

 NC90G-C, 90x90 cm, dør venstre, krom
 NC90G-C, 90x90 cm, dør høyre, krom

 6301593
6301594

 UDW0090NAU222LN-61
UDW0090NAU222RN-61

 2.766
2.766

 3.458
3.458

 NC100G-C, 100x100 cm, dør venstre, krom
 NC100G-C, 100x100 cm, dør høyre, krom

 6301595
6301596

 UDW0100NAU222LN-61
UDW0100NAU222RN-61

 3.298
3.298

 4.123
4.123

 NC810G-C Dusjhjørne, dør 80 cm venstre, krom
 NC810G-C Dusjhjørne, dør 100 cm høyre, krom

 6301591
6301596

 UDW0080NAU222LN-61
UDW0100NAU222RN-61

 3.046
3.298

 3.808
4.123

 NC108G-C Dusjhjørne, dør 100 cm venstre, krom
 NC108G-C Dusjhjørne, dør 80 cm høyre, krom

 6301595
6301592

 UDW0100NAU222LN-61
UDW0080NAU222RN-61

 3.298
3.046

 4.123
3.808

 NC89G-C Dusjhjørne, dør 80 cm venstre, krom
 NC89G-C Dusjhjørne, dør 90 cm høyre, krom

 6301591
6301594

 UDW0080NAU222LN-61
UDW0090NAU222RN-61

 3.046
2.766

 3.808
3.458

 NC98G-C Dusjhjørne, dør 90 cm venstre, krom
 NC98G-C Dusjhjørne, dør 80 cm høyre, krom

 6301593
6301592

 UDW0090NAU222LN-61
UDW0080NAU222RN-61

 2.766
3.046

 3.458
3.808

NE-C Utforingsprofil 40–65 mm, krom

6301641

UPGUHP-61

685

856

 NC80G-W 80 cm dør venstre, hvit
 NC80G-W 80 cm dør høyre, hvit

 6301576
6301577

 UDW0080NAU222LN-01
UDW0080NAU222RN-01

 2.975
2.975

 3.719
3.719

 NC90G-W 90 cm, dør venstre, hvit
 NC90G-W 90 cm, dør høyre, hvit

 6301578
6301579

 UDW0090NAU222LN-01
UDW0090NAU222RN-01

 2.700
2.700

 3.375
3.375

 NC100G-W 100 cm, dør venstre, hvit
 NC100G-W 100 cm, dør høyre, hvit

 6301581
6301582

 UDW0100NAU222LN-01
UDW0100NAU222RN-01

 3.298
3.298

 4.123
4.123

 NC810G-W Dusjhjørne, dør 80 cm venstre, hvit
 NC810G-W Dusjhjørne, dør 100 cm høyre, hvit

 6301576
6301582

 UDW0080NAU222LN-01
UDW0100NAU222RN-01

 2.975
3.298

 3.719
4.123

 NC108G-W Dusjhjørne, dør 100 cm venstre, hvit
 NC108G-W Dusjhjørne, dør 80 cm høyre, hvit

 6301581
6301577

 UDW0100NAU222LN-01
UDW0080NAU222RN-01

 3.298
2.975

 4.123
3.719

 NC89G-W Dusjhjørne, dør 80 cm venstre, hvit
 NC89G-W Dusjhjørne, dør 90 cm høyre, hvit

 6301576
6301579

 UDW0080NAU222LN-01
UDW0090NAU222RN-01

 2.975
2.700

 3.719
3.375

 NC98G-W Dusjhjørne, dør 90 cm venstre, hvit
 NC98G-W Dusjhjørne, dør 80 cm høyre, hvit

 6301578
6301577

 UDW0090NAU222LN-01
UDW0080NAU222RN-01

 2.700
2.975

 3.375
3.719

NE-W Utforingsprofil 40–65 mm, hvit

6301639

UPGUHP-01

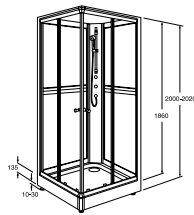
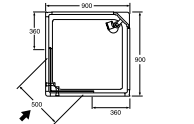
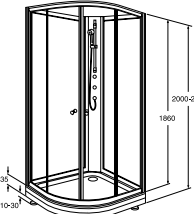
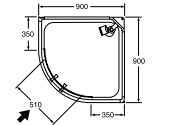
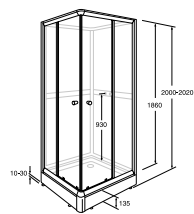
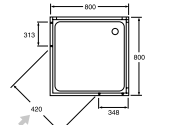
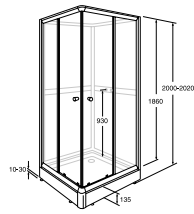
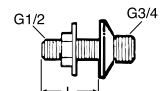
685

856

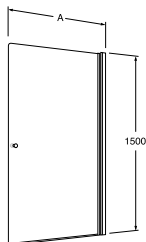
Slagdører

	NRF. NR.	ART. NR.	VEIL. PRIS EKS. MVA.	VEIL. PRIS INKL. MVA.	
	SQ dusjhjørne AXB med buede slagdører				
	SQ80G buet slagdør 80 cm venstre, krom	6301605	UDW0080SKA201LN-61	3.579	4.474
	SQ80G buet slagdør 80 cm høyre, krom	6301606	UDW0080SKA201RN-61	3.579	4.474
	SQ90G buet slagdør 90 cm venstre, krom	6301607	UDW0090SKA201LN-61	3.126	3.908
	SQ90G buet slagdør 90 cm høyre, krom	6301608	UDW0090SKA201RN-61	3.126	3.908
	SQ100G buet slagdør 100 cm venstre, krom	6301609	UDW0100SKA201LN-61	3.658	4.573
	SQ100G buet slagdør 100 cm høyre, krom	6301611	UDW0100SKA201RN-61	3.658	4.573
	SQ810G buet slagdør 80 cm venstre, krom	6301605	UDW0080SKA201LN-61	3.579	4.474
	SQ810G buet slagdør 100 cm høyre, krom	6301611	UDW0100SKA201RN-61	3.658	4.573
	SQ180G buet slagdør 100 cm venstre, krom	6301609	UDW0100SKA201LN-61	3.658	4.573
	SQ180G buet slagdør 80 cm høyre, krom	6301606	UDW0080SKA201RN-61	3.579	4.474
	SQ89G buet slagdør 80 cm venstre, krom	6301605	UDW0080SKA201LN-61	3.579	4.474
	SQ89G buet slagdør 90 cm høyre, krom	6301608	UDW0090SKA201RN-61	3.126	3.908
	SQ98G buet slagdør 90 cm venstre, krom	6301607	UDW0090SKA201LN-61	3.126	3.908
SQ98G buet slagdør 80 cm høyre, krom	6301606	UDW0080SKA201RN-61	3.579	4.474	
SC-E utforingsprofil til slagdører, krom 25 mm	6301543	UPGUYDG262-337	401	501	
	SC dusjhjørne med rette slagdører				
	SC80G rett slagdør 80 cm venstre, krom	6301619	UDW0080SKA200LN-61	3.447	4.309
	SC80G rett slagdør 80 cm høyre, krom	6301621	UDW0080SKA200RN-61	3.447	4.309
	SC90G rett slagdør 90 cm venstre, krom	6301622	UDW0090SKA200LN-61	3.126	3.908
	SC90G rett slagdør 90 cm høyre, krom	6301623	UDW0090SKA200RN-61	3.126	3.908
	SC100G rett slagdør 100 cm venstre, krom	6301624	UDW0100SKA200LN-61	3.533	4.416
	SC100G rett slagdør 100 cm høyre, krom	6301625	UDW0100SKA200RN-61	3.533	4.416
	SC810G rett slagdør 80 cm venstre, krom	6301619	UDW0080SKA200LN-61	3.447	4.309
	SC810G rett slagdør 100 cm høyre, krom	6301625	UDW0100SKA200RN-61	3.533	4.416
	SC108G rett slagdør 100 cm venstre, krom	6301624	UDW0100SKA200LN-61	3.533	4.416
	SC108G rett slagdør 80 cm høyre, krom	6301621	UDW0080SKA200RN-61	3.447	4.309
	SC89G rett slagdør 80 cm venstre, krom	6301619	UDW0080SKA200LN-61	3.447	4.309
	SC89G rett slagdør 90 cm høyre, krom	6301623	UDW0090SKA200RN-61	3.126	3.908
	SC98G rett slagdør 90 cm venstre, krom	6301622	UDW0090SKA200LN-61	3.126	3.908
SC98G rett slagdør 80 cm høyre, krom	6301621	UDW0080SKA200RN-61	3.447	4.309	
SC-E utforingsprofil til slagdører, krom 25 mm	6301543	UPGUYDG262-337	401	501	
SA80G nisjedør 80 Krom	6301626	UDW0080SKA100W-61	3.966	4.958	
SA90G nisjedør 90 Krom	6301628	UDW0090SKA100W-61	4.098	5.123	
SA100G nisjedør 100 Krom	6301631	UDW0100SKA100W-61	4.195	5.244	
SC-E utforingsprofil til slagdører, krom 25 mm	6301543	UPGUYDG262-337	401	501	

Dusjkabinetter med blandebatteri

	NRF. NR.	ART. NR.	VEIL. PRIS EKS. MVA.	VEIL. PRIS INKL. MVA.		
	NACC firkantet hjørnekabinett med blandebatteri, krom profiler Dørsats 90x90 cm, dusjsett, håndtak Bakvegger 90x90cm Dusjkar 90x90cm		6318318	UDW9090NOA120W-61	5.329	6.661
	6318347	UDW9090NAC185W-61	4.108	5.135		
	6318325	UDL0905NOA1W-01	1.510	1.888		
	NACC firkantet hjørnekabinett med blandebatteri, hvite profiler Dørsats 90x90 cm, dusjsett, håndtak Bakvegger 90x90cm Dusjkar 90x90cm		6318328	UDW9090NAC120W-01	5.203	6.504
	6318339	UDW9090NAC185W-01	4.062	5.078		
	6318325	UDL0905NOA1W-01	1.510	1.888		
	NACQ halvrundt hjørnekabinett med blandebatteri, krom profiler Dørsats 90x90 cm, dusjsett, håndtak Bakvegger 90x90cm Dusjkar 90x90cm		6318346	UDW9090NAC164W-61	6.213	7.766
	6318347	UDW9090NAC185W-61	4.108	5.135		
	6318345	UDL0905NAC4W-01	1.760	2.200		
	NACQ halvrundt hjørnekabinett med blandebatteri, med hvite profiler Dørsats 90x90 cm, dusjsett, håndtak Bakvegger 90x90cm Dusjkar 90x90cm		6318338	UDW9090NAC164W-01	5.990	7.488
	6318339	UDW9090NAC185W-01	4.062	5.078		
	6318345	UDL0905NAC4W-01	1.760	2.200		
Dusjkabinetter uten blandebatteri						
	NCC firkantet hjørnekabinett, 80x80cm krom profiler Dørsats 80x80 cm, dusjsett, håndtak Bakvegger 80x80cm Dusjkar 80x80cm		6318315	UDW8080NOC120W-61	5.547	6.934
	6318316	UDW8080NOC185W-61	2.043	2.554		
	6318317	UDL0805NOC1W-01	1.274	1.593		
	NCC firkantet hjørnekabinett, 80x80cm hvite profiler Dørsats 80x80 cm, dusjsett, håndtak Bakvegger 80x80cm Dusjkar 80x80cm		6318326	UDW8080NOC120W-01	4.498	5.623
	6318327	UDW8080NOC185W-01	1.724	2.155		
	6318317	UDL0805NOC1W-01	1.274	1.593		
	NCC firkantet hjørnekabinett, 90x90cm krom profiler Dørsats 90x90 cm, dusjsett, håndtak Bakvegger 90x90cm Dusjkar 90x90cm		6318318	UDW9090NOA120W-61	5.329	6.661
	6318319	UDW9090NOC185W-61	2.043	2.554		
	6318325	UDL0905NOA1W-01	1.510	1.888		
	NCC firkantet hjørnekabinett, 90x90cm hvite profiler Dørsats 90x90 cm, dusjsett, håndtak Bakvegger 90x90cm Dusjkar 90x90cm		6318318	UDW9090NOA120W-61	5.329	6.661
	6318319	UDW9090NOC185W-61	2.043	2.554		
	6318325	UDL0905NOA1W-01	1.510	1.888		
	6301993	GB41634002	171	214		
Rett kobling for tilkobling av blandebatteri (2 stk.)						

Badekarvegger



LB badekarvegg

LB70G badekarvegg 70 cm Krom/glass
 LB80G badekarvegg 80 cm Krom/glass

NRF. NR.	ART. NR.	VEIL. PRIS EKS. MVA.	VEIL. PRIS INKL. MVA.
6301633	UDW0070LOG170W-61	3.124	3.905
6301635	UDW0080LOG170W-61	3.245	4.056

DUSJ



Nordic³ servantkraner

	NRF. NR.	ART. NR.	VEIL. PRIS EKS. MVA.	VEIL. PRIS INKL. MVA.
	<p>Nordic³ servantkran Med bunnventil Uten bunnventil</p>	<p>4340391 4340389</p>	<p>941 786</p>	<p>1.176 983</p>
	<p>Nordic³ servantkran Med sidedusj og veggfeste</p>	<p>4340392</p>	<p>1.388</p>	<p>1.735</p>
Nautic servantkraner				
	<p>Nautic servantkran Med oppløftsventil Med kjedefeste, uten bunnventil</p>	<p>4340381 4340384</p>	<p>1.260 832</p>	<p>1.575 1.040</p>
	<p>TILBEHØR Push- down ventil</p>	<p>4343054</p>	<p>332</p>	<p>415</p>
	<p>Nautic servantkran Med silventil</p>	<p>4340324</p>	<p>1.252</p>	<p>1.565</p>
	<p>Nautic servantkran med 160 mm spak Med kjedefeste, uten bunnventil, krom</p>	<p>4340386</p>	<p>1.183</p>	<p>1.479</p>
	<p>Servantkran m/kjedefeste, støpt tut 150 mm, HC-spak</p>	<p>4341166</p>	<p>1.596</p>	<p>1.995</p>

	NRF. NR.	ART. NR.	VEIL. PRIS EKS. MVA.	VEIL. PRIS INKL. MVA.
<p>Nautic servankran med håndduşj og veggfeste</p> <p>Med oppløftsventil Med kjedefeste, uten bunnventil</p>	4340383 4340387	GB41214141 GB41214147	2.099 1.712	2.624 2.140
<p>Nautic servankran med 150 mm utløpstut. Svingbar tut 80°</p> <p>Uten bunnventil</p>	4340302	GB41214045	1.288	1.610
<p>Nautic servankran med 150 mm utløpstut. Svingbar tut 80°, med håndduşj og veggfeste</p> <p>Uten bunnventil</p> <p>TILBEHØR</p> <p>Push- down ventil</p>	4340502 4343054	GB41214145 GB4163657501	2.126 332	2.658 415
<p>Nautic servankran m/150 mm tut m/avst.kran</p> <p>Nautic servankran m/150 mm tut m/avst./sideduşj</p> <p>Nautic servankran m/150 mm tut forhøyd</p>	4340388 4340503 4341165	GB41214085 GB41214185 GB41214245	1.681 2.520 1.808	2.101 3.150 2.260
<p>Nautic termostat servankran</p> <p>f/veggmont. m/HC-spak</p>	4340301	GB41216352	2.592	3.240

Logic servantkraner

	NRF. NR.	ART. NR.	VEIL. PRIS EKS. MVA.	VEIL. PRIS INKL. MVA.	
	Logic servantkran				
	Classy Chrome med kjedefeste	4340356	GB41214951	1.125	1.406
	Spak for utbytting til farge:				
	Sinful Black	4342738	GB4163851523	304	380
	Perfect White	4342737	GB4163851525	304	380
	Moody Blue	4342739	GB4163851536	304	380
	Crazy Orange	4342741	GB4163851538	304	380
	TILBEHØR				
	Push-down ventil	4343054	GB4163657501	332	415
		Logic servantkran med håndduj og veggfeste			
Classy Chrome med kjedefeste		4340357	GB41214951	1.125	1.406
Spak for utbytting til farge:					
Sinful Black		4342738	GB4163851523	304	380
Perfect White		4342737	GB4163851525	304	380
Moody Blue		4342739	GB4163851536	304	380
Crazy Orange		4342741	GB4163851538	304	380
TILBEHØR					
Push-down ventil, Classy Chrome		4343054	GB4163657501	332	415
Logic servantkran med håndduj, veggfeste og avstengning for vaskemaskin					
Classy Chrome, uten oppløftsventil	4340358	GB41214991	1.999	2.499	
TILBEHØR					
Push-down ventil, Classy Chrome	4343054	GB4163657501	332	415	
Silventil	4342653	GB41637445	425	531	
Spak og ratt for utbytting til farge:					
Sinful Black	4342743	GB4163852023	391	489	
Perfect White	4342742	GB4163852025	391	489	
Moody Blue	4342744	GB4163852036	391	489	
Crazy Orange	4342745	GB4163852038	391	489	

BLANDEBATTERIER

Coloric servantkraner

	Coloric servantkran uten bunnventil				
	Sinful Black	4340365	GB4121905123	1.971	2.464
	Rough Aluminium	4340366	GB4121905146	1.971	2.464
	Passionate Red	4340369	GB4121905149	1.971	2.464
	TILBEHØR				
Push-down ventil	4343054	GB4163657501	332	415	

	NRF. NR.	ART. NR.	VEIL. PRIS EKS. MVA.	VEIL. PRIS INKL. MVA.
	Coloric servantkran uten bunnventil med håndduj og veggfeste			
	4340303	GB4121915123	2.644	3.305
	4340305	GB4121915146	2.644	3.305
	4340311	GB4121915149	2.644	3.305
TILBEHØR				
4343054	GB4163657501	332	415	
Berøringsfrie servantkraner				
	Nordic³ berøringsfri servantkran			
	4340393	GB41213081	2.437	3.046
	TILBEHØR			
4343054	GB4163657501	332	415	
	Nautic berøringsfri servantkran			
	4340325	GB41214081	2.709	3.386
	TILBEHØR			
4343054	GB4163657501	332	415	
	Logic berøringsfri servantkran			
	4340359	GB41214981	2.947	3.684
	TILBEHØR			
4343054	GB4163657501	332	415	
Nautic termostat servantkran				
4341937	GB41215352	2.592	3.240	

BLANDEBATTERIER

Nautic bidé kran	NRF. NR.	ART. NR.	VEIL. PRIS EKS. MVA.	VEIL. PRIS INKL. MVA.
<p>Nautic bidékran med leddet strålesamler Med oppløftsventil</p> <p>Krom</p>	4340501	GB41214071	1.698	2.123
Nordic³ dusjtermostat				
<p>Nordic³ dusjtermostat med dusjtilkopling nedover</p> <p>150 c-cc</p> <p>Krom</p>	4341941	GB41215604	1.201	1.501
<p>Nordic³ dusjtermostat med dusjtilkopling oppover</p> <p>150 c-c</p> <p>Krom</p>	4341942	GB41215624	1.508	1.885
Nautic dusjtermostat				
<p>Nautic vannbesparende dusjtermostat med dusjtilkopling nedover.</p> <p>150 c-c</p> <p>Krom</p>	4341932	GB41215304	1.201	1.501
<p>Nautic dusjtermostat med dusjtilkopling oppover</p> <p>150 c-c</p> <p>Krom</p>	4341935	GB41215324	1.508	1.885

	NRF. NR.	ART. NR.	VEIL. PRIS EKS. MVA.	VEIL. PRIS INKL. MVA.
<p>Nautic Combi vannbesparende termostat dusjpakke</p> <p>150 c-c.</p> <p>Dusjpakken består av:</p> <p>Blandebatteri: 4341932 Dusjsett krom: 4342896 med slange 1,75 m, veggstang med fester, glider, såpekopp</p>	4341939	GB41215387	1.678	2.098
<p>Dreibar badekartut</p> <p>Passer til dusjtermostater (produsert 01.2013 og senere).</p>	4342781	GB41638760	624	780
Logic dusjtermostat				
<p>Logic dusjtermostat med dusjtilkopling nedover</p> <p>150 c-c</p> <p>Classy Chrome</p> <p>For utbytting til farge Sett med mengde- og temperaturratt</p> <p>Sinful Black Perfect White Moody Blue Crazy Orange</p>	4341948	GB41214904	1.643	2.054
	4342747	GB4163852823	426	533
	4342746	GB4163852825	426	533
	4342748	GB4163852836	426	533
	4342749	GB4163852838	426	533
<p>Logic dusjtermostat med termostat og dusjtilkopling oppover</p> <p>150 c-c</p> <p>Classy Chrome</p> <p>For utbytting til farge Sett med mengde- og temperaturratt</p> <p>Sinful Black Perfect White Moody Blue Crazy Orange</p>	4341949	GB41214924	1.643	2.054
	4342747	GB4163852823	426	533
	4342746	GB4163852825	426	533
	4342748	GB4163852836	426	533
	4342749	GB4163852838	426	533

Coloric dusjtermostat

	NRF. NR.	ART. NR.	VEIL. PRIS EKS. MVA.	VEIL. PRIS INKL. MVA.
<p>Coloric dusjtermostat med dusjtilkopling nedover</p> <p>Sinful Black Rough Aluminium Passionate Red</p>	4341885	GB4121920423	2.011	2.514
	4341886	GB4121920446	2.011	2.514
	4341889	GB4121920449	2.011	2.514

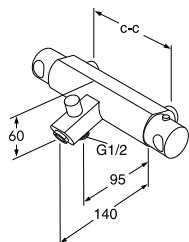
<p>Coloric dusjtermostat med dusjtilkopling oppover</p> <p>Sinful Black Rough Aluminium Passionate Red</p>	4341892	GB4121922423	2.011	2.514
	4341893	GB4121922446	2.011	2.514
	4341899	GB4121922449	2.011	2.514

Nautic termostatbatteri til badekar

<p>Nautic termostat badekarbatteri, fast badekartut og draomkaster/vender</p> <p>150 c-c</p> <p>Krom</p> <p>Blandebatteriet består av:</p> <p>Termostat dusjbatteri Badekartut</p>	4341936	GB41205333	1.864	2.330
	4341932 4342905	GB41215304 GB41636820	1.201 529	1.501 661

Logic termostat badebatteri

<p>Logic termostat badebatterier</p> <p>150 c-c</p> <p>Classy Chrome</p> <p>For utbytting til farge Sett med mengde og temperaturratt</p> <p>Sinful Black Perfect White Moody Blue Crazy Orange</p>	4340995	GB41214933	2.034	2.543
	4342747	GB4163852823	426	533
	4342746	GB4163852825	426	533
	4342748	GB4163852836	426	533
	4342749	GB4163852838	426	533

Coloric termostat badebatteri

Coloric termostat badebatteri med draomkaster/vender

Sinful Black
 Rough Aluminium
 Passionate Red

NRF. NR.

ART. NR.

 VEIL. PRIS
 EKS. MVA.

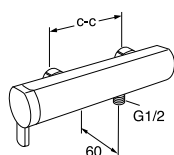
 VEIL. PRIS
 INKL. MVA.

4341901
 4341902
 4341906

GB4121922323
 GB4121922346
 GB4121922349

2.610
 2.610
 2.610

3.263
 3.263
 3.263

Coloric ettgreps dusjbatterier

Coloric dusjbatteri 150 c-c med eksenter for å montere som 160 c-c. Dusjtilkobling på undersiden.

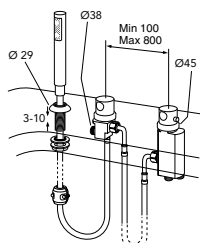
Sinful Black
 Rough Aluminium
 Passionate Red

4340904
 4340905
 4340914

GB4121900423
 GB4121900446
 GB4121900449

1.915
 1.915
 1.915

2.394
 2.394
 2.394

Skandic blandebatteri montert på badekarkanten

Skandic termostatbatteri

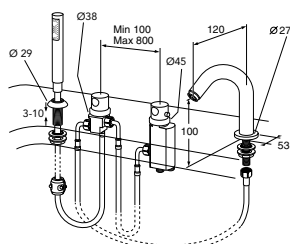
med uttrekkbar hånddusj
 Multiplex Trio, fylling via overløp

6030265
 6030267

GB41217143
 U90600361

3.760
 3.577

4.700
 4.471


Skandic termostatbatteri

med uttrekkbar hånddusj
 Tut

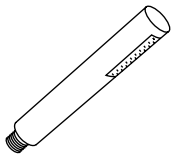
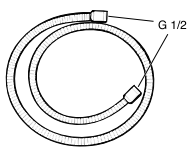
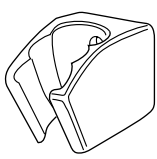
6030265
 6030266

GB41217143
 GB41638390

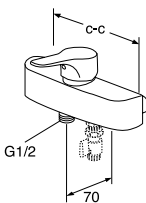
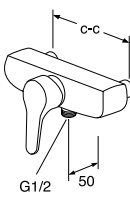
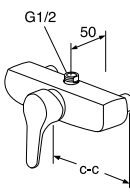
3.760
 313

4.700
 391

Håndduj med veggfeste

		NRF. NR.	ART. NR.	VEIL. PRIS EKS. MVA.	VEIL. PRIS INKL. MVA.
	Håndduj Scandic	4342687	GB4163659600	426	533
	Slange til håndduj	4343811	GB4163626600	123	154
	Veggfeste til håndduj	4340714	GB41637575	88	110

Nautic ettgrepsbatterier for veggmontering

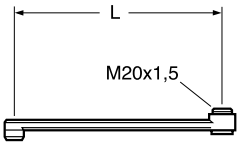
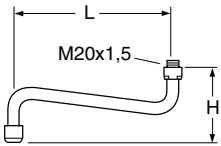
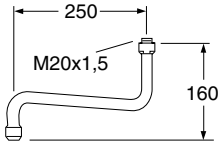
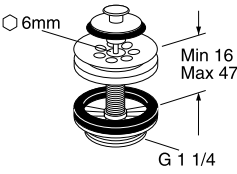
	Nautic veggbatteri med spak framover Dusjtilkobling på undersiden og med ekstra vannutløp	4340941	GB41214004	1.194	1.493
	150 c-c Rett kuleventil med avstengning, for ekstra vannuttak	4342639	FG079805705	148	185
	Nautic veggbatteri med spak nedover Dusjtilkobling på undersiden	4340943	GB41214014	1.571	1.964
	Nautic veggbatteri med spak nedover Dusjtilkobling på oversiden og plugget utløp på undersiden	4340944	GB41214024	1.684	2.105

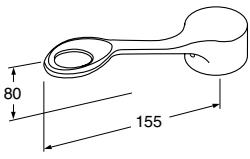
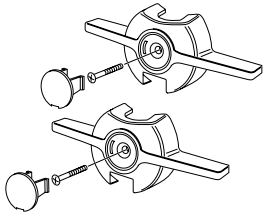
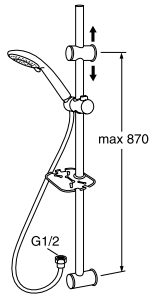
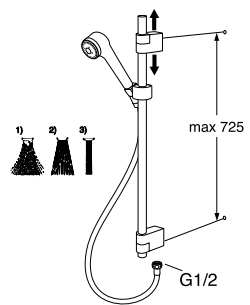
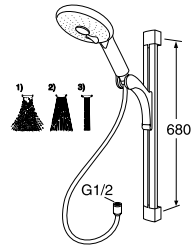
Nautic ettgreps badebatterier

	NRF. NR.	ART. NR.	VEIL. PRIS EKS. MVA.	VEIL. PRIS INKL. MVA.
<p>Nautic badebatteri med integrert tut og draomkaster/vender</p> <p>150 c-c</p> <p>Krom</p>	4340945	GB41214023	1992	2.490
<p>Nautic badebatteri med fast tut og draomkaster /vender</p> <p>150 c-c</p> <p>Krom</p>	4340946	GB41214033	1922	2.403
<p>Nautic badebatteri med svingbar tut og draomkaster/vender</p> <p>150 c-c</p> <p>Krom</p>	4340947	GB41214035	2649	3.311
<h2>Logic ettgrepsbatterier for veggmontering</h2>				
<p>Logic ettgreps veggbatteri</p> <p>150 c-c</p> <p>Classy Chrome</p> <p>Logic utløpstut til</p> <p>Badekar m/draomkaster /vender</p> <p>85mm utløpstut</p> <p>150mm utløpstut</p> <p>Spak for utskiftning av farge:</p> <p>Sinful Black</p> <p>Perfect White</p> <p>Moody Blue</p> <p>Crazy Orange</p>	4340323	GB41214934	1477	1.846
	4342905	GB41636820	529	661
	4342879	GB41633631	392	490
	4342877	GB41633632	392	490
	4342738	GB4163851523	304	380
	4342737	GB4163851525	304	380
	4342739	GB4163851536	304	380
	4342741	GB4163851538	304	380

BLANDEBATTERIER

**Utløpstuter | Bunnventiler | Anslutningskoplinger
Eksenterkoplinger | Veggfester**

	NRF. NR.	ART. NR.	VEIL. PRIS EKS. MVA.	VEIL. PRIS INKL. MVA.	
  	Utløpstuter og bunnventiler				
	Utløpstut, rett svingbar 85 mm, fkr	4342879	GB41633631	392	490
	Utløpstut, rett svingbar 150 mm, fkr	4342877	GB41633632	392	490
	Utløpstut, rett svingbar 200 mm, fkr	4342878	GB41633633	522	653
	Utløpstut, rett svingbar 250 mm, fkr	4342868	GB41633614	541	676
	Utløpstut, rett svingbar 350 mm, fkr	4342625	GB41633616	691	864
	Utløpstut, rett svingbar 400 mm, fkr	4342626	GB41633624	722	903
	Utløpstut 945 mm (dobb. svingbar) f/veggbatteri	4342811	GB41630151	1.505	1.881
	S-tut 150 mm svingbar	4342815	GB41630191	293	366
	S-tut 250 mm svingbar	4342819	GB41630194	397	496
	S-tut 350 mm svingbar	4342975	GB41630197	320	400
	S-tut 400 mm svingbar	4342976	GB41630198	639	799
	S-tut 500 mm svingbar	4342834	GB41630199	680	850
	Utløpstut 250 mm svingbar	4342977	GB41630196	320	400
	Fast utløpstut 140 mm	4342981	GB41630770	365	456
	Omkasterhus m/draomkaster f/forskjellige tuter	4342634	GB41637315	566	708
	Badekartut m/draomkaster f/veggbatteri, fkr	4342905	GB41636820	529	661
	Svingbar tut m/omkasterhus L=350	4342917	GB41635270	1.556	1.945
Selvstengende hånddušj m/slange f/veggbatteri	4343335	GB41634210	682	853	
	Bunnventiler Anslutningskoplinger Eksenterkoplinger Veggfester				
	Silventil m/overløp m/plugg, fkr	4342653	GB41637445	425	531
	"Push down" ventil, fkr	4343054	GB4163657501	332	415
	Oppløftventil, ekskl. stang, krom	4342638	GB41637450	463	579
	Stang f/oppløftventil 375 mm, krom	4343055	GB41630305	94	118
	Blanderfeste f/utvendig rørføring u/avstengning	4343071	FG0115080	489	611
	Blanderfeste f/skjult rørføring u/avstengning	4343076	FG0115050	270	338
	Blanderfeste f/skjult rørføring f/PEX-rør Dy 12x2,0 fkr	4343101	FG0115060	293	366
	Blanderfeste f/skjult rørføring f/PEX-rør Dy 15x2,5 fkr	4343102	FG0115061	293	366
	Blanderfeste f/skjult rørføring f/PEX-rør Dy 16x2,2 fkr	4343103	FG0115062	293	366
	Kopl. sett f/PEX-rør Dy 12x2,0 f/blanderfeste	4343104	FP636142	91	114
	Eksenterkopling 3/4" x 1/2". Pr. stk.	4343115	GB4163176502	223	279
	Rett kobling f/dusjkabinett. Pr. par	6301993	GB41634002	171	214
	Anslutningskobl. f/badebatteri f/vulstmontering	4343118	GB41634525	278	348
	Kuleventil rett f/veggbatteri m/e.vannuttak m/foravst.	4342639	FG079805705	148	185
	Vridbar tilkoblingsvinkel f/oppvaskmaskin over benk	4343189	GB4163579001	470	588
	Avstengningskran f/oppvaskmaskin f/benkemont.fkr	4340745	GB41205081	1.018	1.273
	SoftPEX-slanger 2 stk. L=400mm	4342633	GB4163716102	158	198
	SoftPEX-slanger 2 stk. L=300 mm	4342642	GB4163716002	152	190
	SoftPEX-slanger 2 stk. L=600 mm	4342643	GB4163716402	152	190
	Kobberrør 1 stk.	4342632	GB4163642401	106	133
	"Legionella" dreneringsventil f/mont. mellom batteri/slange	4342641	GB4163594401	548	685
	Stabiliseringsstag	4342942	GB41638457	168	210

	NRF. NR.	ART. NR.	VEIL. PRIS EKS. MVA.	VEIL. PRIS INKL. MVA.
 	Spaker, kranoverdel f/sykehus/handikapbatterier			
	4342627	GB4163736001	308	385
	4342994	GB4110301723	223	279
	4342635	GB4163780401	99	124
	4342636	GB4163781001	99	124
	4342637 4343366	GB4163784002 GB41637250	157 214	196 268
Dusjsett				
	Dusjsett I med 1,75 m slange			
	4342896	GB41103250	410	513
	Dusjsett II med 1,75 m slange, krom			
	4342628	GB41104053 00	778	973
	Coloric dusjsett med 1,75 m slange			
	4342699	GB4110339023	1.395	1.744
	4342701	GB4110339046	1.395	1.744
	4342704	GB4110339049	1.395	1.744

Faste dusjsett

	NRF. NR.	ART. NR.	VEIL. PRIS EKS. MVA.	VEIL. PRIS INKL. MVA.	
	<p>G1 Dusjsett inkl. Nordic³ dusjtermostat</p> <p>150 c-c</p>	4342794	GB41215625	4.011	5.014
	<p>G2 Dusjsett inkl. Nordic³ dusjtermostat</p> <p>150 c-c</p>	4342795	GB41215620	4.011	5.014
	<p>G1 Dusjsett inkl. Nautic dusjtermostat</p> <p>150 c-c</p> <p>G1 Dusjsett uten blandebatteri, for kombinasjon med blandebatteri med dusjtilkobling på oversiden</p> <p>Består av:</p> <p>Fast takdusj Hånddusj på glider Draomkaster/vender 1,75 m metallomspunnet slange</p> <p>TILBEHØR</p> <p>Kit for montering på dusjbatteri som har dusjtilkobling på undersiden</p>	4343681	GB41215325	4.135	5.169
	<p>4342931</p>	GB41103225	3.100	3.875	
	<p>G2 Dusjsett inkl. Nautic dusjtermostat</p> <p>150 c-c</p> <p>G2 Dusjsett uten blandebatteri, for kombinasjon med blandebatteri med dusjtilkobling på oversiden</p> <p>Består av:</p> <p>Fast takdusj Hånddusj på glider Draomkaster/vender 1,75 m metallomspunnet slange</p> <p>TILBEHØR</p> <p>Kit for montering på dusjbatteri som har dusjtilkobling på undersiden</p>	4343682	GB41215320	4.135	5.169
	<p>4342932</p>	GB41103220	3.100	3.875	
	<p>4342933</p>	GB41638464	316	395	
	<p>4342933</p>	GB41638464	316	395	

BLANDEBATTERIER

	NRF. NR.	ART. NR.	VEIL. PRIS EKS. MVA.	VEIL. PRIS INKL. MVA.
	4342712	GB41103216	1.696	2.120
Dusjsett Legionella m/dren.ventil, veggfeste, spiralslange				
	4342655	GB41103305	956	1195
Fast dusjrør m/sil f/montering på overside termostatbatteri	4342656	GB41633748	194	243
Klammer for fast dusjrør	4342666	GB41103615	58	73
Sparenippel 12 l/min.				
Nordic³ kjøkkenkran				
Nordic³ kjøkkenkran med høy tut, uten avstengning for oppvaskmaskin	4340695	GB41203056	1.157	1.446
Krom				
Nordic³ kjøkkenkran med høy tut, med avstengning for oppvaskmaskin	4340696	GB41203096	1.495	1.869
Krom				
Nautic kjøkkenkran				
Nautic kjøkkenkran med høy tut, uten avstengning for oppvaskmaskin	4340765	GB41204056	1.229	1.536
Krom				
Nautic kjøkkenkran med høy tut, med avstengning for oppvaskmaskin	4340766	GB41204096	1.624	2.030
Krom	4343189	GB4163579001	470	588
Tilkoplingsvinkel for oppvaskmaskin på benk				

BLANDEBATTERIER

	NRF. NR.	ART. NR.	VEIL. PRIS EKS. MVA.	VEIL. PRIS INKL. MVA.
	4340778	GB41204057	1.258	1.573
	4340779 4343189	GB41204097 GB4163579001	1.663 470	2.079 588
 	4340767 4340768 4340769	GB41204055 GB41204155 GB4120415588	1.229 2.165 2.376	1.536 2.706 2.970

	NRF. NR.	ART. NR.	VEIL. PRIS EKS. MVA.	VEIL. PRIS INKL. MVA.			
 	<p>Nautic kjøkkenkran med lav støpt tut med avstengning for oppvaskmaskin</p> <p>Med sidedusj</p> <p>Med oppvaskbørste</p> <p>Tilkoplingsvinkel for oppvaskmaskin på benk</p>	<p>4340771</p> <p>4340772</p> <p>4340773</p> <p>4343189</p>	<p>GB41204095</p> <p>GB41204195</p> <p>GB4120419588</p> <p>GB4163579001</p>	<p>1.624</p> <p>2.561</p> <p>2.772</p> <p>470</p>	<p>2.030</p> <p>3.201</p> <p>3.465</p> <p>588</p>		
		<p>Nautic kjøkkenkran for veggmontering med svingbar tut på oversiden.</p> <p>Blandebatteriet består av veggbatteri med dusjtilkopling oppover, med lugget uttak nedover.</p>	<p>Krom</p> <p>4340944</p>	<p>GB41214024</p>	<p>1.684</p>	<p>2.105</p>	
		<p>Tut for montering på oversiden</p>	<p>4342624</p>	<p>GB41630184</p>	<p>541</p>	<p>676</p>	
		<p>Nautic kjøkkenkran for veggmontering med svingbar tut (undermontert) og med ekstra vannuttak. Batteriet har tilkopling ned, pluggede tilkoplinger for ekstra vannuttak og tilbakeslagsventiler i innløpet.</p>	<p>Blandebatteriet består av:</p> <p>Forspylingsbatteri med ekstra vannuttak</p> <p>Svingbar utløpstut 250 mm, rett</p>	<p>4341163</p> <p>4342868</p>	<p>GB41214264</p> <p>GB41633614</p>	<p>1.684</p> <p>541</p>	<p>2.105</p> <p>676</p>

	NRF. NR.	ART. NR.	VEIL. PRIS EKS. MVA.	VEIL. PRIS INKL. MVA.
	4340677	GB41205361	2.540	3.175
	4342125	GB41631773	5.201	6.501
	4343141	GB41102817	698	873

Logic kjøkkenkran

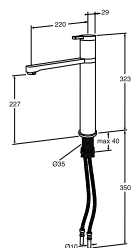
	Logic kjøkkenkraner med høy tut				
	Classy Chrome	4340692	GB41204956	1.603	2.004
	Spak for utskiftning av farge:				
	Sinful Black	4342738	GB4163851523	304	380
	Perfect White	4342737	GB4163851525	304	380
	Moody Blue	4342739	GB4163851536	304	380
Crazy Orange	4342741	GB4163851538	304	380	
Avstengningskran f/oppv.maskin f/benkemont.fkr	4340745	GB41205081	1.018	1.273	

	Logic kjøkkenkraner med høy tut og avstenging for oppvaskmaskin				
	Classy Chrome	4340693	GB41204996	1.990	2.488
	Spak og ratt for utskiftning av farge:				
	Sinful Black	4342743	GB4163852023	391	489
	Perfect White	4342742	GB4163852025	391	489
	Moody Blue	4342744	GB4163852036	391	489
Crazy Orange	4342745	GB4163852038	391	489	

	Logic kjøkkenkran med høy tut og dusjmunnstykke				
	Classy Chrome	4340781	GB41204958	2.793	3.491
	Spak og ratt for utskiftning av farge:				
	Sinful Black	4342738	GB4163851523	304	380
	Perfect White	4342737	GB4163851525	304	380
	Moody Blue	4342739	GB4163851536	304	380
Crazy Orange	4342741	GB4163851538	304	380	

	Logic kjøkkenkran med høy tut, dusjmunnstykke og avstengning for oppvaskmaskin.				
	Classy Chrome	4340782	GB41204998	3.040	3.800
	Spak og ratt for utskiftning av farge:				
	Sinful Black	4342743	GB4163852023	391	489
	Perfect White	4342742	GB4163852023	391	489
	Moody Blue	4342744	GB4163852036	391	489
Crazy Orange	4342745	GB4162752038	391	489	

Coloric kjøkkenkran



Coloric kjøkkenkran

Sinful Black
 Rough Aluminium
 Passionate Red

TILBEHØR

Avstengningskran for oppvaskmaskin
 for benkemontering

NRF. NR.

ART. NR.

 VEIL. PRIS
 EKS. MVA.

 VEIL. PRIS
 INKL. MVA.

4340723
 4340724
 4340727

GB4120905523
 GB4120905546
 GB4120905549

3.452
 3.452
 3.452

4.315
 4.315
 4.315

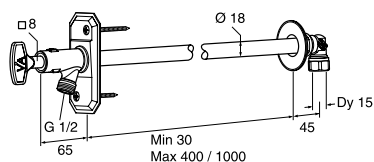
4340745

GB41205081

1.018

1.273

Utekran


 Frostsikker med typegodkjent
 tilbakeslagsventil og nøkkel

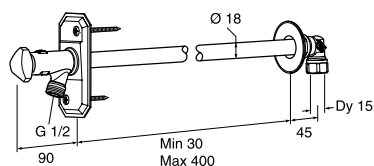
Selvdrenerende, 400mm Butikkpkn.
 Kartong
 Selvdrenerende, 400mm
 Leveres i 10 pkn.
 Selvdrenerende, 1000mm

4343088
 4342954
 4342955

FG0105062
 FG0105060
 FG0105070

774
 737
 1.712

968
 921
 2.140


 Utekran med typegodkjent
 tilbakeslagsventil og ratt

Selvdrenerende, 400mm

T-rør med vakuumventil

Monteres i rørledning foran utekranen

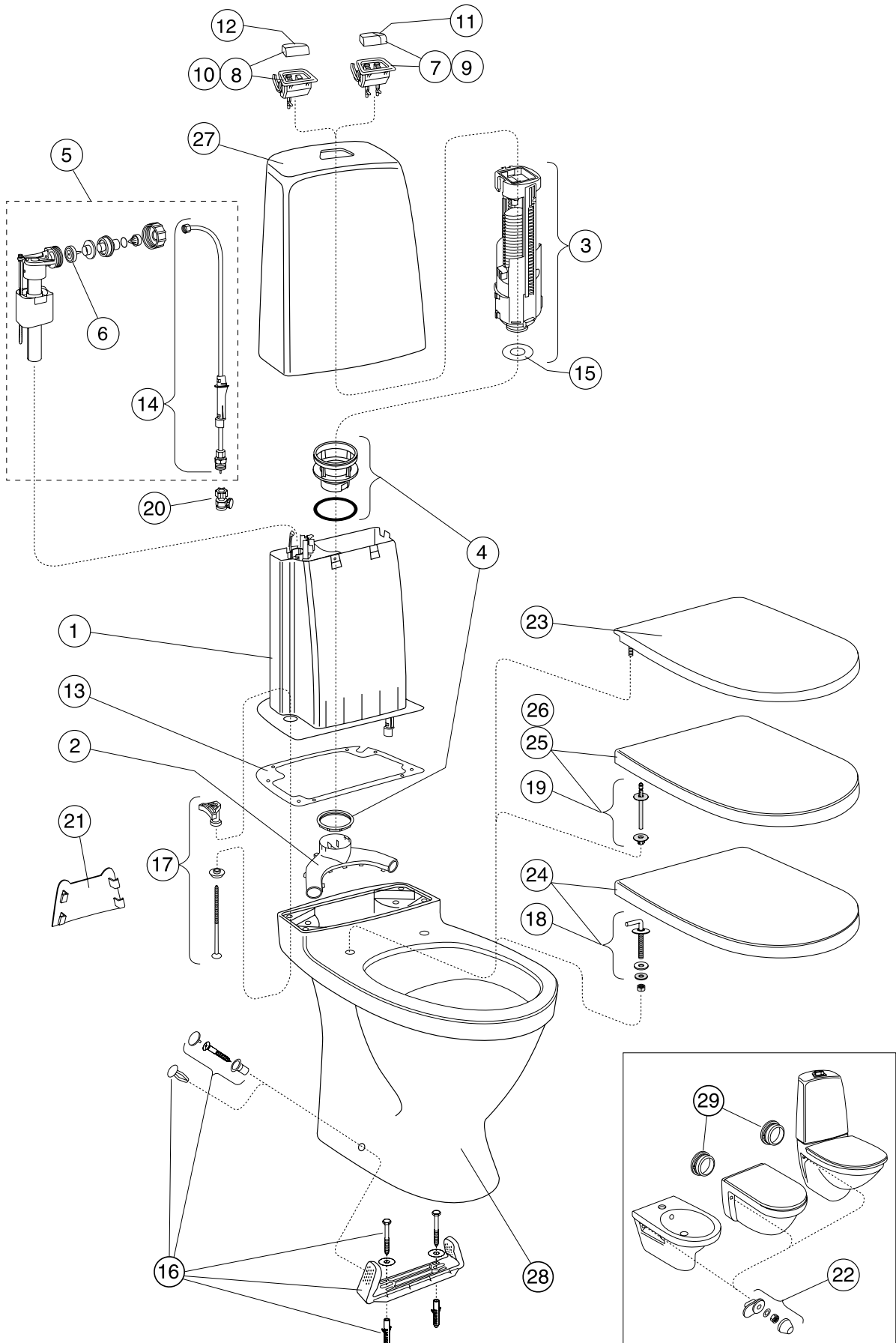
4342956
 5080015

FG0105061
 FG0640857

1.099
 579

1.374
 724



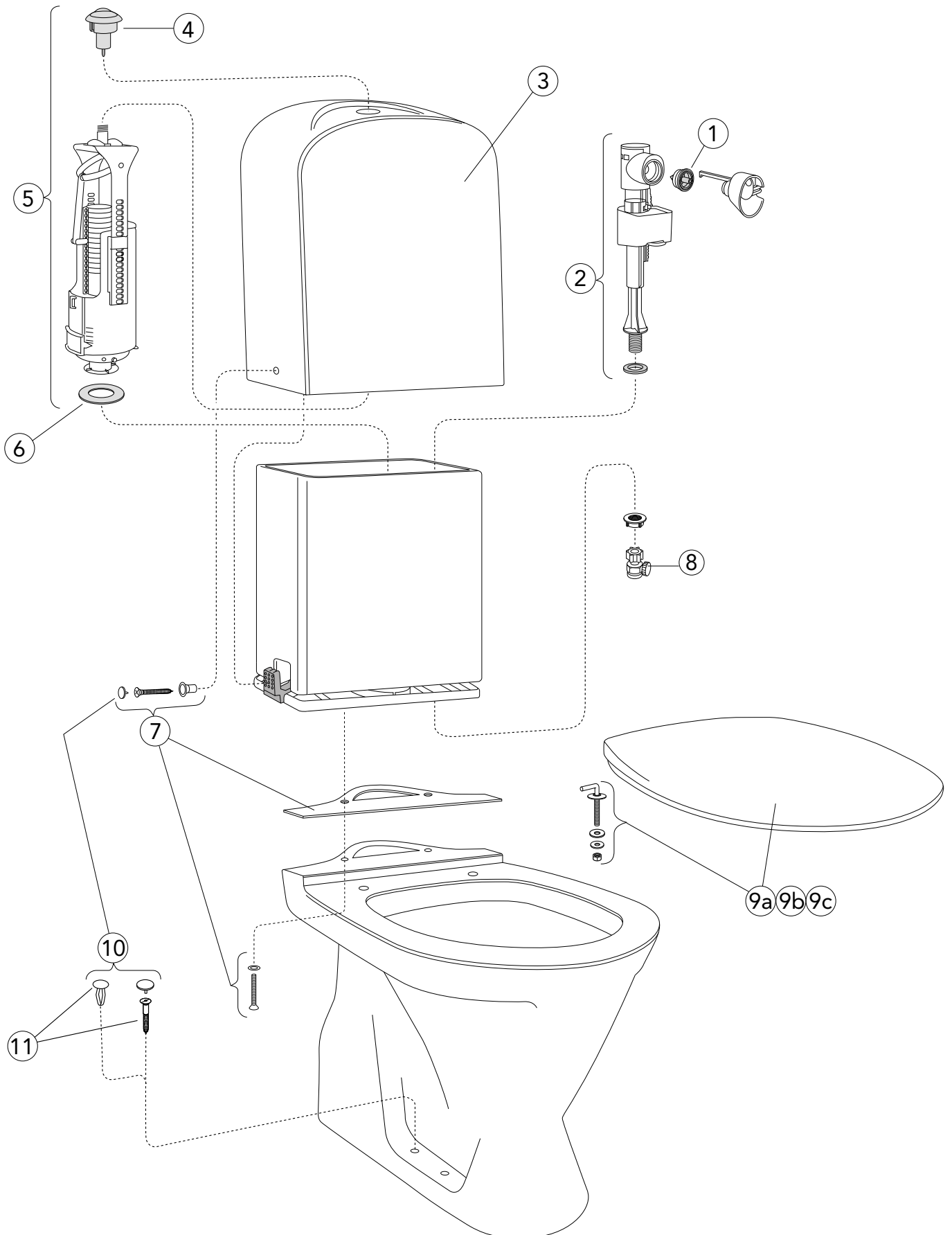


RESERVEDELER



DETALJENUMMER OG PRODUKT	NRF. NR.	ART. NR.	VEIL. PRIS EKS. MVA.	VEIL. PRIS INKL. MVA.
1 Plastsisterne komplett	6025601	GB19299P0100	1.000	1.250
2 Spylør	6025602	GB19299P0101	100	125
3 Utløpsventil	6025603	GB19299P0102	374	468
4 Bunnventilsett	6025604	GB19299P0103	100	125
5 Fløttørventil	6025605	GB19299P0105	374	468
6 Membran	6025606	GB19299P0106	76	95
7 Trykknapp duo, hvit, komplett	6025748	GB19299P0108	132	165
8 Trykknapp enkel, hvit, komplett	6025746	GB19299P0109	132	165
9 Trykknapp duo, krom, komplett	6025749	GB19299P0110	132	165
10 Trykknapp enkel, krom, komplett	6025747	GB19299P0111	132	165
11 Trykknapp duo, krom	6025614	GB19299P0112	124	155
12 Trykknapp enkel, krom	6025615	GB19299P0113	124	155
13 Sisternepakning	6025616	GB19299P0114	50	63
14 Innløpsrør	6025617	GB19299P0116	175	219
15 Ventilhuspakning	6025812	GB19299TK962	63	79
16 Gulvfeste	6025689	92242500	149	186
17 Sisternebolter	6025622	92226100	124	155
18 Faste hengsler til nye Nautic seter		92241361	675	844
19 Hengsler til nye Nautic seter m/SC/QR		92241461	675	844
Støtputer til nye Nautic seter		92242001	29	36
Soft Close demper til nye Nautic seter		92242400	120	150
20 Avstengningsventil	6025903	GB1929900503	111	139
21 Dekkluke for klosett 5500	6025833	GB1929903410	132	165
22 Festedetaljer klosett 5530/5522	6025677	92207401	120	150
23 Nautic standard propensete, hvit	6025425	9M246101	205	256
24 Nautic lux-sete i hardplast m/rustfrie fester	6025426	9M256101	616	770
25 Nautic lux-sete m/SC/QR , h vitt	6025427	9M26S101	983	1.229
26 Nautic lux-sete m/SC/QR , svart	6025428	9M26S136	1.301	1.626
27 Porselensisterne	6025619	GB185580001200	1.000	1.250
28 Skål f/5500	6023641	GB185500001200	2.477	3.096
Skål f/ 5500 med C+	6023642	GB1855000R1200	3.064	3.830
Skål f/5510	6023643	GB185510001200	3.064	3.830
Skål f/5510 med C+	6023644	GB1855100R1200	3.064	3.830
Skål f/5520	6023645	GB185520001200	2.477	3.096
Skål f/5520 med C+	6023646	GB1855200R1200	4.126	5.158
29 Mansjett med slangeklemme for stuss	6025835	GB1929900021	213	266
Gulvfeste for bidé	6025847	GB1929900381	149	186
Nautic Vandalsikker trykknapp, enkelspyling. Rustfritt/svart.	6025669	GB19299NV036	795	994
Hengsler Nautic HC-seter	6025758	GB88306000	319	399

RESERVEDELER



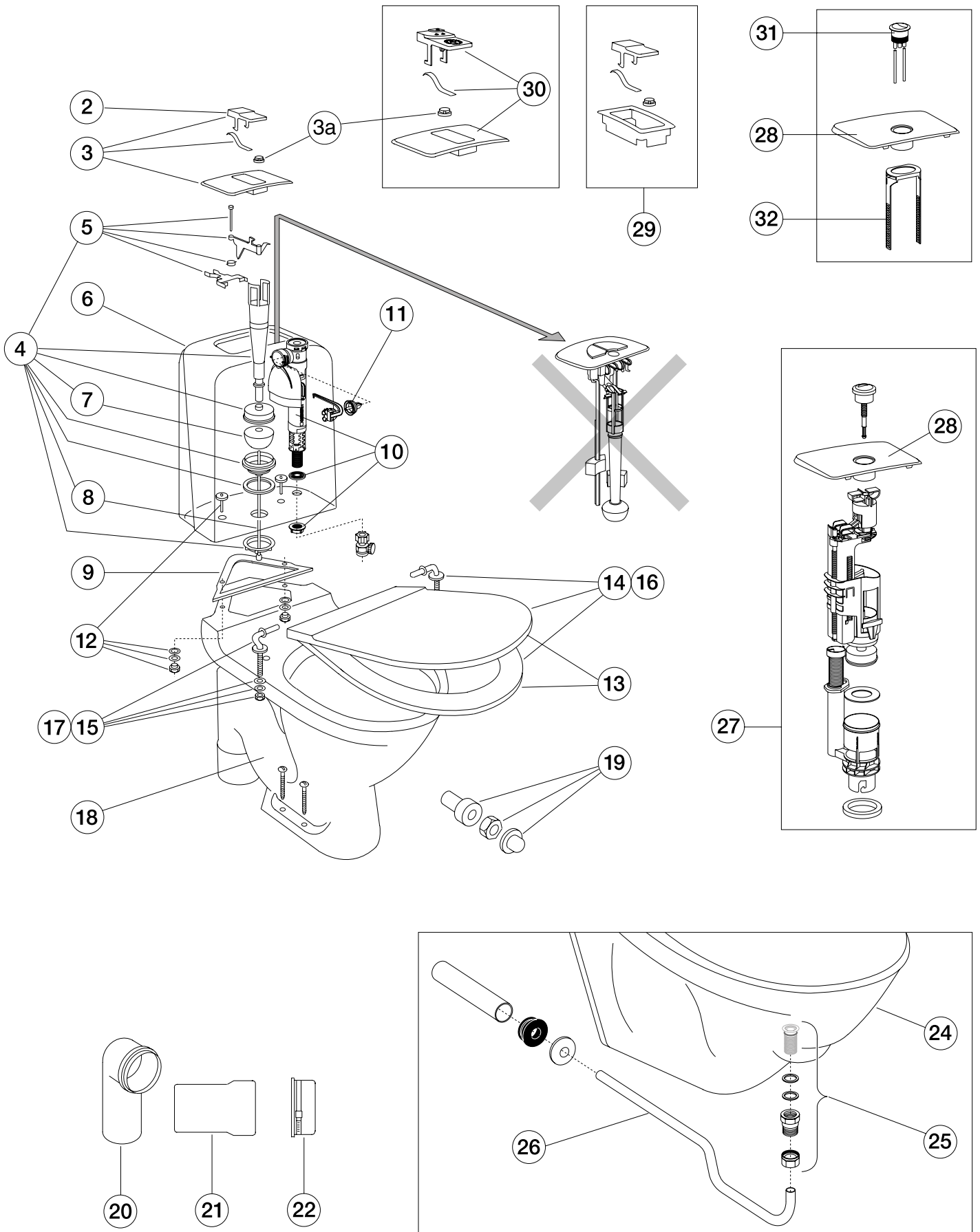


DETALJENUMMER OG PRODUKT	NRF. NR.	ART. NR.	VEIL. PRIS EKS. MVA.	VEIL. PRIS INKL. MVA.
1 Membran		GB19299P0206		
2 Innløpsventil	6025893	GB1929901972	492	615
3 Sisterne (lokk)		GB184700001200		
4 Trykknapp		GB19299P0201		
5 Utløpsventil med trykknapp		GB19299P0202		
6 Bunnpakning		GB19299TK962	63	79
7 Skruer og sisternepakning		GB19299P0204		
8 Avstengningsventil		GB1929900503	111	139
9a Propensete	6025456	9M646101	198	248
9b Sete for Saval 2.0/Nordic ³	6096502	8780G101	539	674
9c Rustfrie hengsler f/Saval 2.0/Nordic ³		92241961		
10 Poser med propper		GB19299P0207		
11 Skruerpose gulv: 4 skruer, 4 dekkpropper, 4 limpropper		GB1929900365	60	75



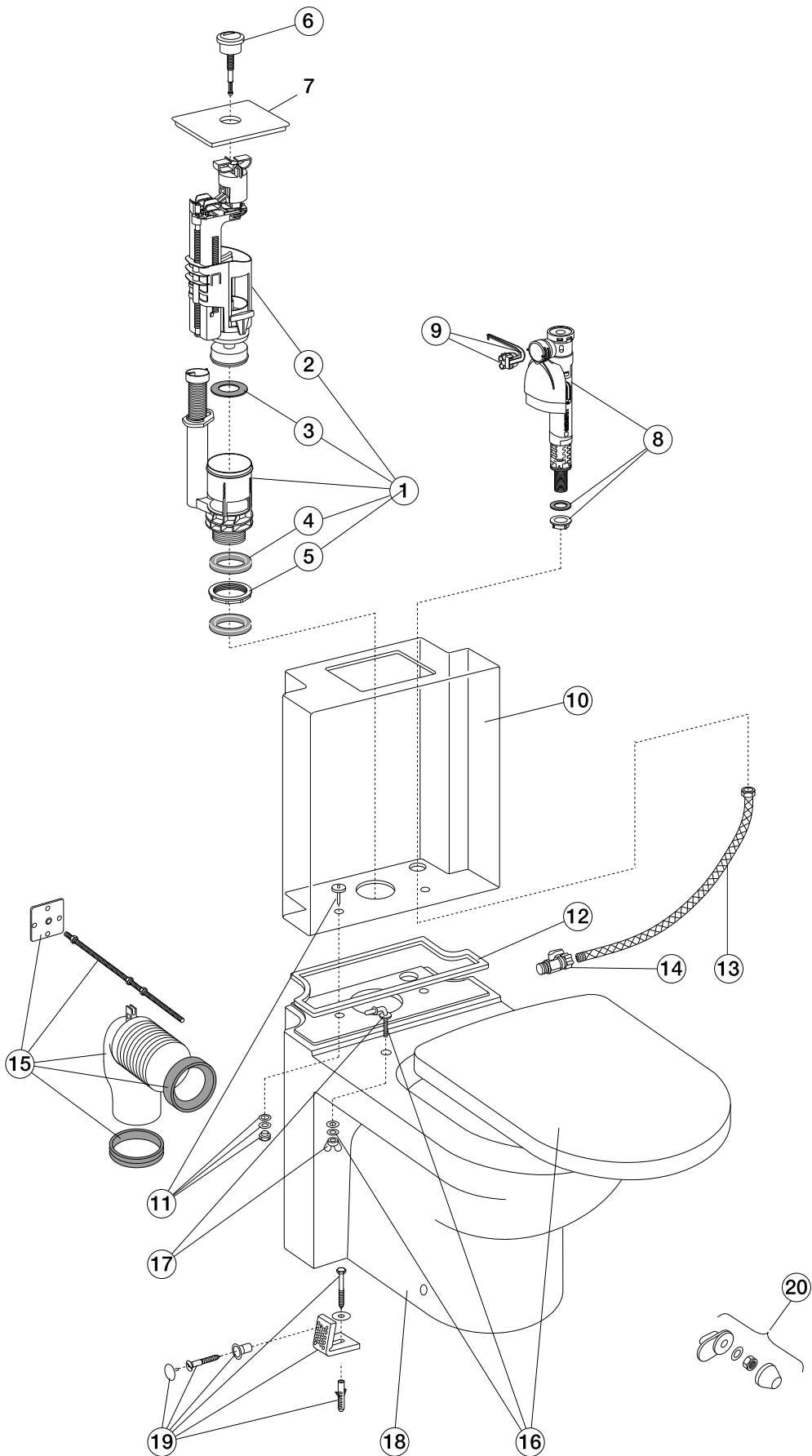
DETALJENUMMER OG PRODUKT	NRF. NR.	ART. NR.	VEIL. PRIS EKS. MVA.	VEIL. PRIS INKL. MVA.
1a T2 Komplette ventil, duo	6025887	GB19299T2956	560	700
1b T2 Komplette ventil, enkel	6025889	GB19299T2958	536	670
2a T2 Ventilhus Duo	6025884	GB19299T2953	208	260
2b T2 Ventilhus Enkel	6025885	GB19299T2954	208	260
3a T2 Trykknapp Duo, krom	6025882	GB19299T2951	178	223
3b T2 Trykknapp Enkel, krom	6025883	GB19299T2952	169	211
4 T2/T1/K sisternelokk, hvit	6024962	GB19299K1931	149	186
Sisternelokk matt krom f/Nordic Star	6025632	GB19299S1931	203	254
5 T2/T1/K Ventilhuspakning	6025812	GB19299TK962	63	79
6 T2/T1/K bunnventilpakning	6025831	GB19299TK961	59	74
7 T2/T1/K mutter til bunnventil	6025813	GB19299TK960	50	63
8 T2 sisternelokk Public 6 ltr.rustrfritt	6025353	GB1929901991	604	755
9 Sisternepakning	6026555	GB1929900320	60	75
10 GB Universal flottørventil	6025893	GB1929901972	492	615
*) GB Flottørventil for sideforbinding	6025896	GB1929901974	563	704
11 GB Membran/hus sett universal	6025895	GB1929901979	115	144
12 Avstengningsventil	6025675	GB1929900503	111	139
13 Sisternebolt	6026527	GB1929900319	141	176
14 Sisterne	6092501	GB182200001200	1.356	1.695
15 Skål 2300, hvit	6090202	GB182300001200	2.477	3.096
Skål 2300 med C+	6023601	GB1823000R1200	3.064	3.830
Skål 2310, hvit	6090203	GB182310001200	2.477	3.096
Skål 2310 med C+	6023602	GB1823100R1200	3.064	3.830
Skål 2320, hvit	6090204	GB182320001200	2.477	3.096
Skål 2320 med C+	6023666	GB1823200R1200	4.117	5.146
Skål 2340, hvit	6090205	GB182340001200	4.114	5.143
Skål 2340 med C+	6023668	GB1823400R1200	4.702	5.878
Skål 2350, hvit	6023603	GB182350001200	4.114	5.143
Skål 2350 med C+	6023609	GB1823500R1200	4.702	5.878
Skål 2391, hvit	6023629	GB182391001200	2.515	3.144
16 Dekkluge f/2300, 2340	6025833	GB1929903410	132	165
17 Overgangsrør veggmont. 2320	6025834	GB1929900312	145	181
18 Mansjett med slangeklemme for stuss	6025835	GB1929900021	213	266
19 Veggmontasjesats, hvit til klosett 2320	6025836	GB1929900325	120	150
Veggmont.sett f/ 2330 (for ovale bolthull)	6025677	92207401	120	150
20 Nordic standard propensete, hvitt	6096503	GB1919902002	198	248
21 Nordic hardplastsete(Polypipe) m/rustfrie fester	6096505	GB1919901211	513	641
Nordic hardplastsete med soft close, hvitt	6025507	GB1919902055	983	1.229
Nordic hardplastsete m/soft close, sort	6025405	GB1919902065	1.234	1.543
Nordic lux-sete m/rustfrie fester	6096504	GB1919902070	768	960
22 Plastfester for hardplastsete-2007	6025837	GB1919901212	262	328
22a Rustfrie fester f/hardplastsete(Polypipe)-2007	6025671	GB1911101291	284	355
23 Lift-off setefester (par)	6025684	GB1919901839	161	201
24 Rustfrie fester f/lux-sete(Pressalit)	6025838	GB1919901834	284	355
24a Festedetaljer for soft close seter (par)	6025631	GB1919901845	410	513
25 T1 komplett knapp, Duo, fkr.	6025808	GB19299T1951	178	223
26 T1 Festeboyle, Duo	6025807	GB19299T1956	146	183
27 K komplett knapp, enkel, 6 ltr	6025816	GB19299K1951	169	211
28 K festeboyle, enkel, 6 ltr	6025815	GB19299K1956	146	183
29 K adapter, duo til 6 ltr, Kega till Twico II	6025798	GB19299KT959	86	108
Skruepose (skruer/plugger/limplugger 4 st)	6025633	GB1929900365	60	75
Limplugger f/festehull i foten (4 st)	6025634	GB1929900168	31	39
Forhøyningssokkel f/2300	6025701	GB1927634600	1.459	1.824
Forhøyningssokker f/2310	6025704	GB1927569710	1.459	1.824
Hengsler Nordic HC-seter	6025759	GB88306051	319	399

RESERVEDELER





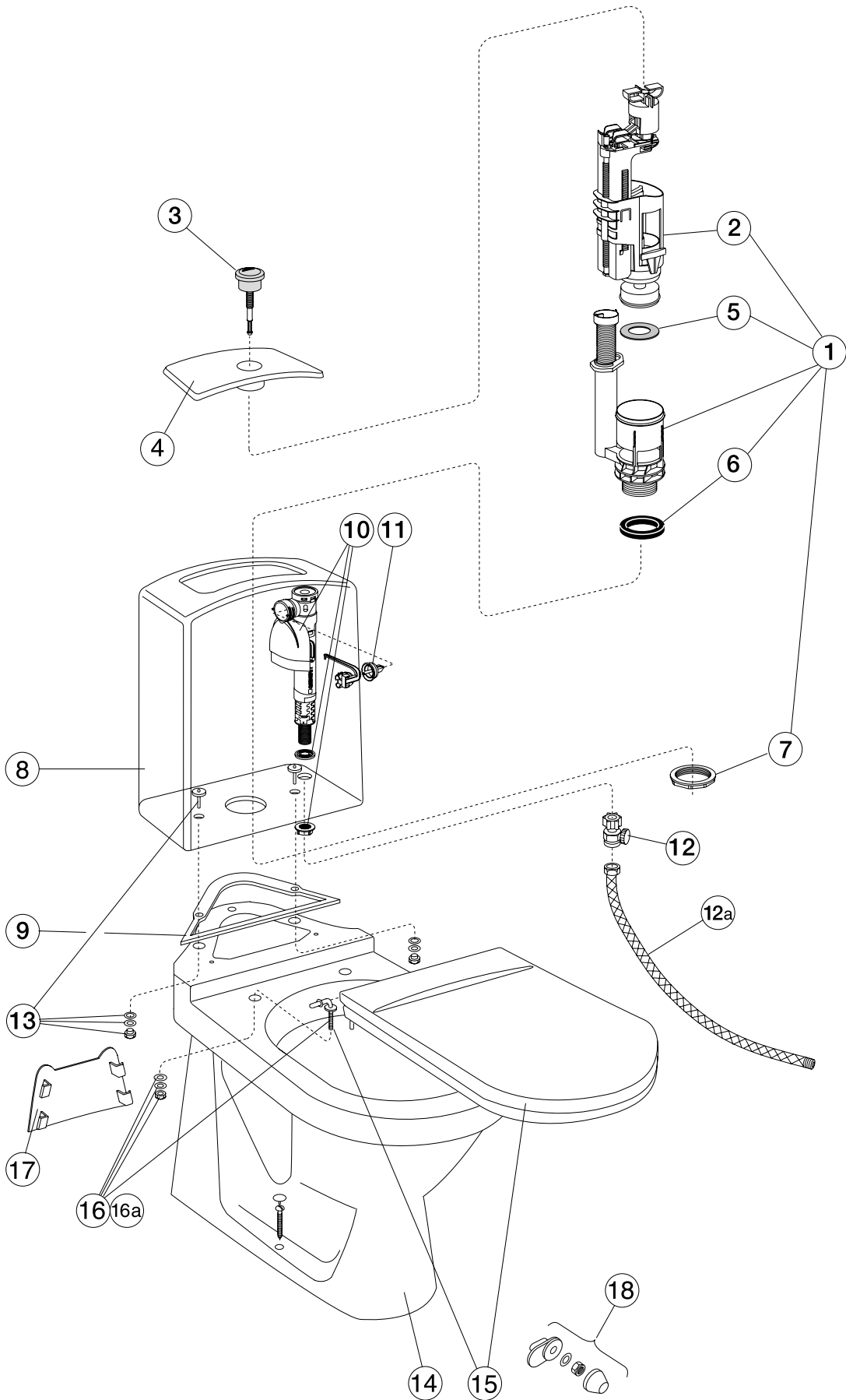
DETALJENUMMER OG PRODUKT	NRF. NR.	ART. NR.	VEIL. PRIS EKS. MVA.	VEIL. PRIS INKL. MVA.
3 ST-17 Sisternelokk med trykknapp, hvit	6026591	GB1929900283	246	308
3a Lokkmutter	6025686	GB1929901545	49	61
4 ST-Bunnventil	6026581	GB1929900282	279	349
5 ST-22 Løfteanordning	6026373	GB1929900209	104	130
6 Sистерne uten lokk, uten armatur	6024346	GB1042900101	1.356	1.695
Ditto til klosett 398	6025756	GB1042980101	1.942	2.428
7 Ventilball Universal	6026212	GB1929900260	85	106
8 ST-2 senterstang	6025845	GB1929900347	64	80
9 Sистерnepakning	6026555	GB1929900320	60	75
10 GB Flottørventil	6025893	GB1929901972	492	615
*) GB Flottørventil sidekoplet	6025896	GB1929901974	563	704
11 GB Membransett	6025895	GB1929901979	115	144
12 Sистерnebolt	6026527	GB1929900319	141	176
13 Standardsete	6025412	GB1919901702	198	248
14 Hardplastsete	6025421	GB1919901201	514	643
15 Plastfester	6025849	GB1911101281	262	328
16 Hardplastsete med rustfrie fester, hvit	6025414	GB1919901950	776	970
17 Rustfrie fester (par)	6026519	GB1919901831	284	355
18 Skål f/ 339	6025682	GB1043390101	4.455	5.569
Skål f/390	6023658	GB1043900101	2.145	2.681
Skål f/ 391	6025683	GB1043910101	2.370	2.963
Skål f/392/398 P-lås, hvit	6023661	GB1043920101	2.339	2.924
Skål f/393, Arctic 349, hvit	6023662	GB1043930101	3.788	4.735
Skål f/394	6023663	GB1043940101	3.523	4.404
Skål f/ 395	6023664	GB1043950101	4.650	5.813
Skål f/ 397	6025711	GB1043970101	4.774	5.968
19 Veggmonteringssett, hvitt	6025836	GB1929900325	120	150
20 Avløpsstuss til klosett 392, 398	6025699	GB1929900310	261	326
21 Overgangsrør, veggmontering	6025834	GB1929900312	145	181
22 Mansjett med slangeklemme for stuss	6025835	GB1929900021	213	266
24 Skål f/393U	6025685	GB1043930191	7.065	8.831
25 Tilkopling f/urinsepareringsrør	6025681	GB41635960	101	126
26 Urinsepareringsrør	6025688	GB41635959	56	70
27 U2 Utskifningsventil Nordic Duo	6025793	GB19299U2937	560	700
28 U2/U1 lokk f/utskifningsventil duo, hvit	6025839	GB19299U1931	149	186
29 NT-27 Trykknapp/Ramme, Arctic, hvit**	6026389	GB1929900324	158	198
30 Sisternelokk m/trykknapp til Nordic Duo	6026592	GB1929900361	261	326
31 T1 komplett knapp, Duo	6025808	GB19299T1951	178	223
32 T1 festeboyle, Duo	6025807	GB19299T1956	146	183
Keramisk gummi	6025842	GB1923100802	359	449
Trykknapp for 394		GB19299S3951	178	223



RESERVEDELER



DETALJENUMMER OG PRODUKT	NRF. NR.	ART. NR.	VEIL. PRIS EKS. MVA.	VEIL. PRIS INKL. MVA.
1 T2 Ventil, Duo	6025887	GB19299T2956	560	700
2 T2 Ventilhus Duo	6025884	GB19299T2953	208	260
3 T1/T2/K Ventilhuspakning	6025812	GB19299TK962	63	79
4 T1/T2/K bunnventilpakning	6025831	GB19299TK961	59	74
5 Mutter til bunnventil	6025813	GB19299TK960	50	63
6 T2 Trykknapp Duo, krom	6025882	GB19299T2951	178	223
7 T2 sisternelokk Artic	6025901	GB1929900500	145	181
8 GB Flottørventil	6025893	GB1929901972	492	615
9 GB Membransett	6025895	GB1929901979	115	144
10 Sистерne uten lokk og armatur f/4300, 4310	6025906	GB184200001200	1.904	2.380
11 Sистерnebolter	6025905	GB1929900505	136	170
12 Sистерnepakning	6025904	GB1929900504	70	88
13 Fleksibel tilkoplingslange	6025902	GB1929900502	123	154
14 Avstengningsventil	6025675	GB1929900503	111	139
15 Avløpsstuss Variobend	6025918	GB1921101408	642	803
16 Artic hardplastsete med SC/QR, hvitt	6025508	9M16S101	1.502	1.878
Artic hardplastsete med SC/QR, sort	6025509	9M16S136	1.853	2.316
17 Rustfrie setefester, (par)	6025916	GB1919901835	278	348
18 Skål f/4300/4310	6025908	GB184310001200	4.163	5.204
Skål f/ 4300/4310 med C+	6025917	GB1843100R1200	4.752	5.940
19 Gulvfeste	6025847	GB1929900381	149	186
20 Veggmonteringssett f/ 4330, hvit	6025677	92207401	120	150

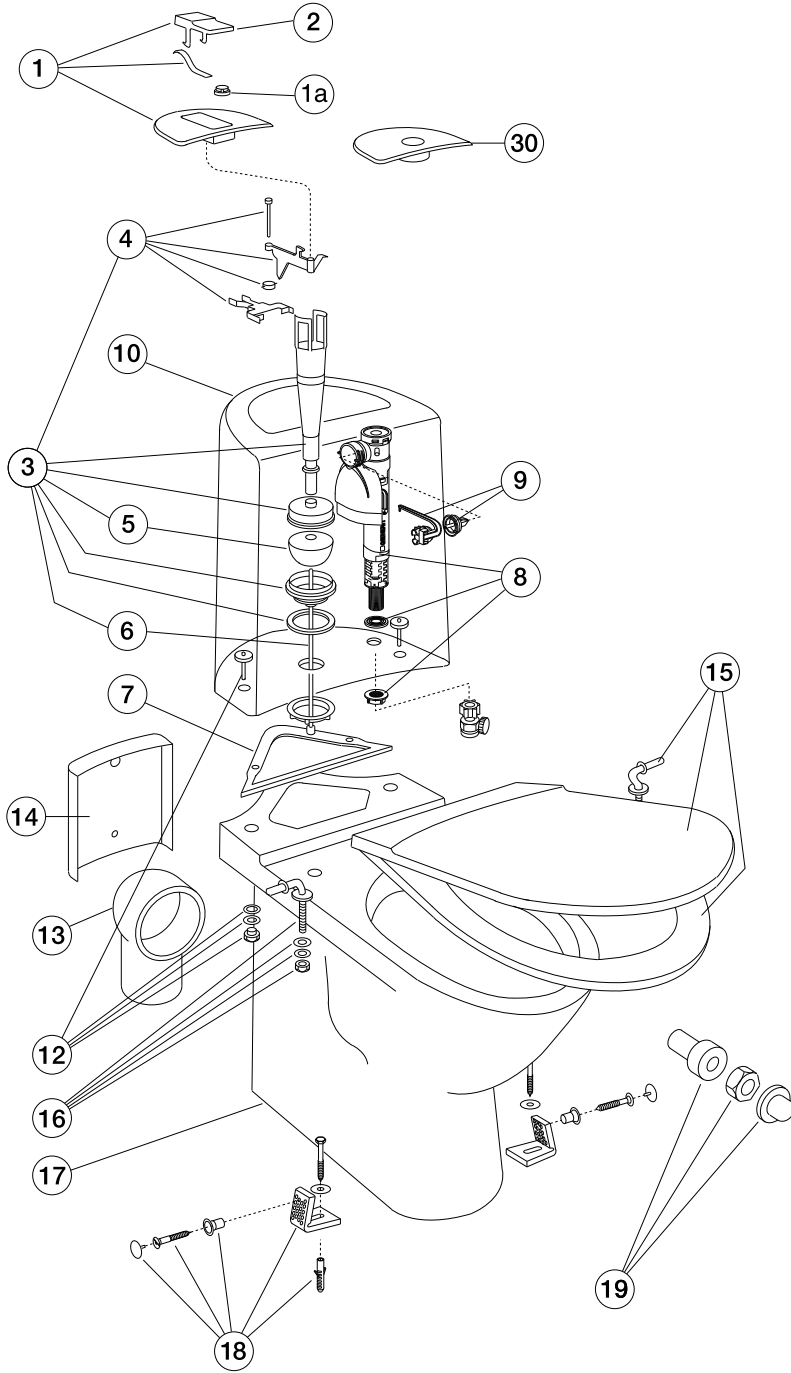


RESERVEDELER

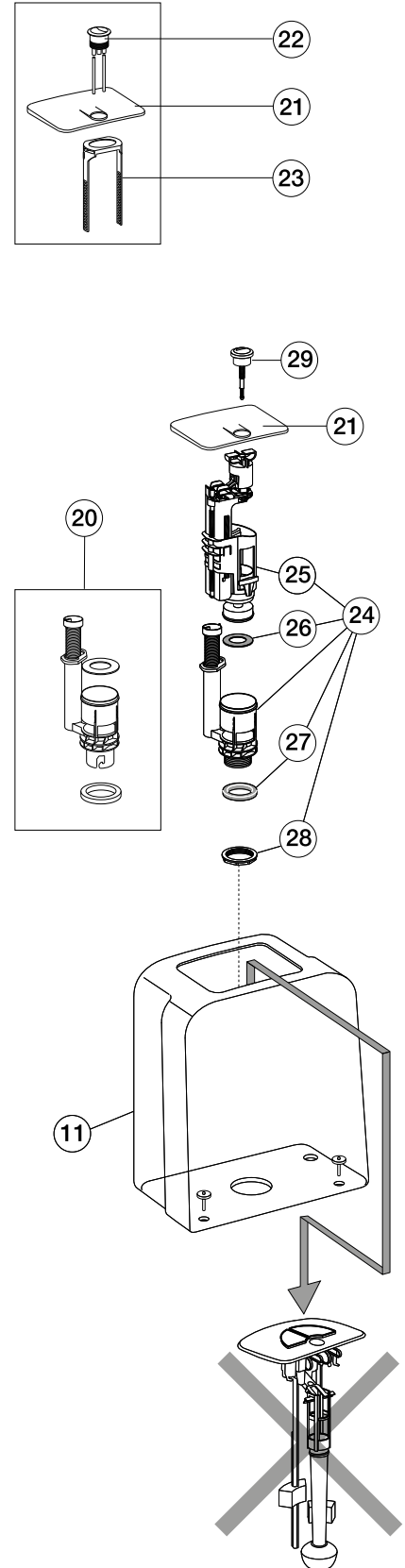


DETALJENUMMER OG PRODUKT	NRF. NR.	ART. NR.	VEIL. PRIS EKS. MVA.	VEIL. PRIS INKL. MVA.
1 T2 ventil duo	6025887	GB19299T2956	560	700
2 T2 ventilhus Duo	6025884	GB19299T2953	208	260
3 T2 Trykknapp Duo, krom	6025882	GB19299T2951	178	223
4 Sisternelokk	6024965	GB8193B901	286	357
5 T2/T1/K ventilhuspakning	6025812	GB19299TK962	63	79
6 T2/T1/K binventilpakning	6025831	GB19299TK961	59	74
7 T2/T1/K mutter f/bunnventil	6025813	GB19299TK960	50	63
9 Sistenerpakning f/klosett 5696 S-lås	6026555	GB1929900320	60	75
Sisternerpakning f/klosett 5696 P-lås	6025924	GB1929900506	59	74
10 GB flottørventil	6025893	GB1929901972	492	615
11 GB membransett	6025895	GB1929901979	115	144
12 Avstengningsventil	6025903	GB1929900503	111	139
12a Fleksibel tilkoplingslange	6025902	GB1929900502	123	154
13 Sisternebolt	6026527	GB1929900319	141	176
15 Logic hardplastsete med rustfrie fester	6025517	9M016101	776	970
16 Festedetaljer for soft close seter	6025631	GB1919901845	410	513
17 Dekkluke 5696	6025833	GB1929903410	132	165
18 Skrueposer(skruer/plugger/limplugg,)	6025633	GB1929900365	60	75
Limplugger for festehull i fot (4 stk)	6025634	GB1929900168	31	39

Skandic

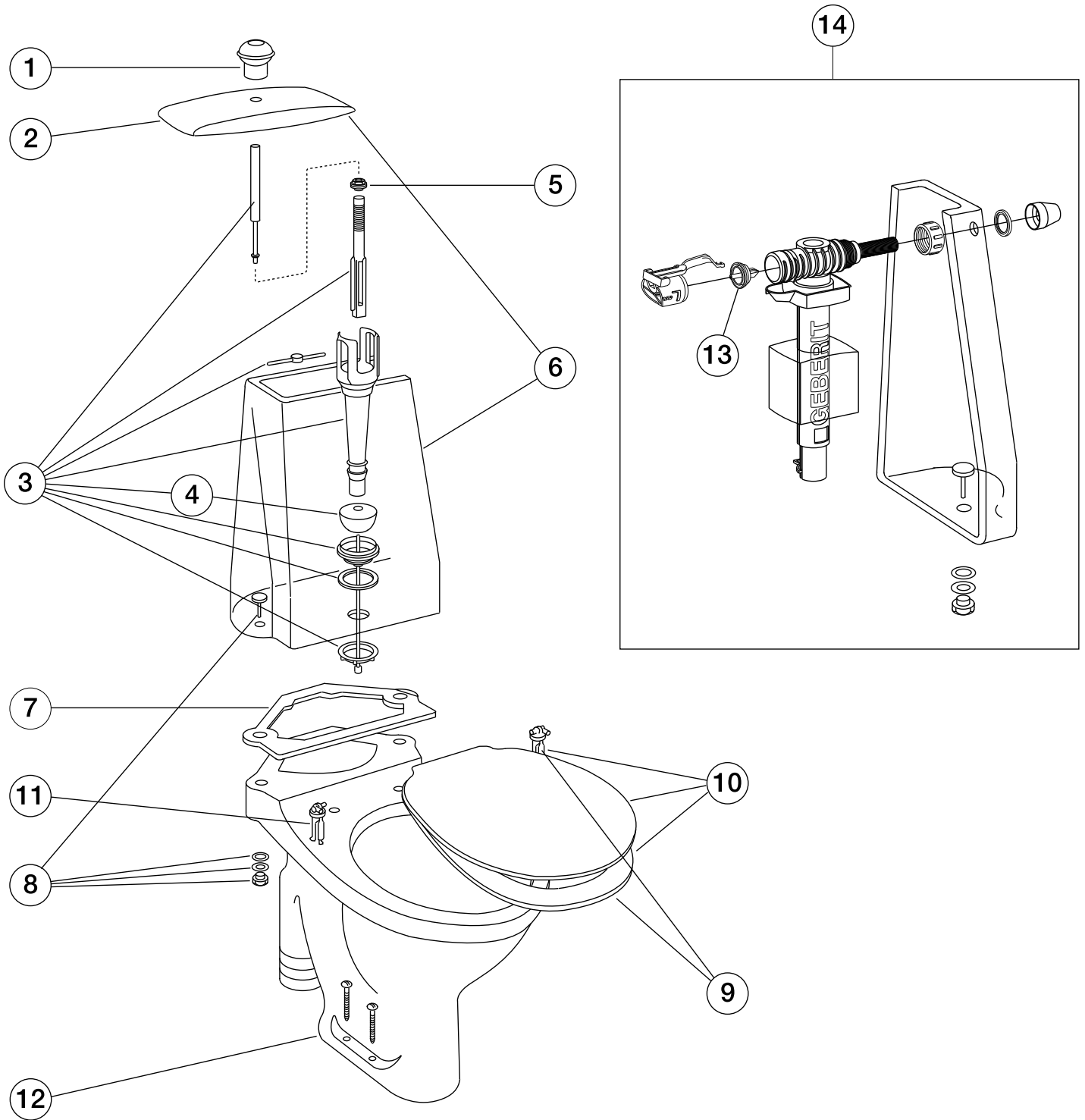


Classic





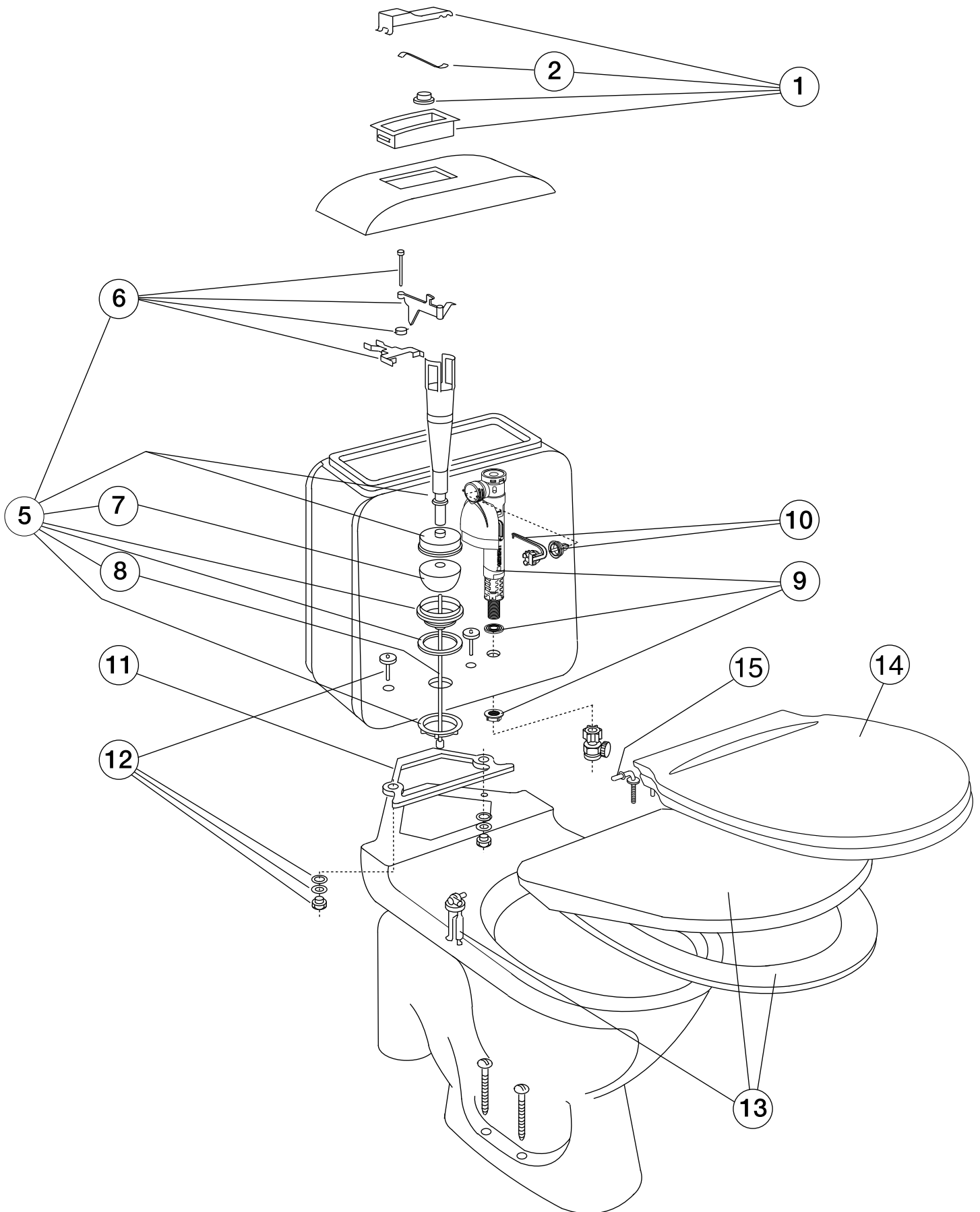
DETALJENUMMER OG PRODUKT	NRF. NR.	ART. NR.	VEIL. PRIS EKS. MVA.	VEIL. PRIS INKL. MVA.
1 ST-24 Sистерnelokk m/trykknapp, hvit	6024976	GB1929900338	457	571
1a Lokkmutter	6025686	GB1929901545	49	61
2 ST-23 trykknapp, hvit	6026568	GB1929900337	158	198
3 ST-Bunnventil	6026581	GB1929900282	279	349
4 ST-22 Løftestang	6026373	GB1929900209	104	130
5 NP/NT/ST Ventilball	6026212	GB1929900260	85	106
6 ST-2 senterstang	6025845	GB1929900347	64	80
7 Sистерnepakning	6025557	GB1929900344	94	118
8 GB Fløttørventil	6025893	GB1929901972	492	615
9 GB Membransett	6025895	GB1929901979	115	144
10 Sистерne u/lokk og u/armatur f/330, 334, hvitt	6024332	GB1042300101	1.538	1.923
11 Sистерne u/lokk og u/armatur f/360,364	6024339	GB1042640101	1.538	1.923
12 Sистерnebolt, par	6025846	GB1929900356	197	246
13 Avløpstuss til klosett 330, 360	6025844	GB1929900345	550	688
14 Dekkluke f/ 334, 364, hvit	6025855	GB1929903411	324	405
15 Hardplastsete med rustfrie fester	6025419	GB1919901601	1.147	1.434
16 Rustfrie setefester	6025851	GB1919901832	284	355
17 Skål f/330, 360, hvit	6023621	GB1043300101	3.480	4.350
Skål f/334, 364, hvit	6023623	GB1043340101	3.480	4.350
18 Gulvfeste	6025847	GB1929900381	149	186
19 Veggmonteringssett f/ 333, hvit	6025836	GB1929900325	120	150
20 U2 ventilunderdel	6025687	GB19299U2940	354	443
21 Sистерnelokk Classic T2/T1/U2/U1, duo	6024963	GB19299T1929	305	381
22 T1 Knapp Duo	6025808	GB19299T1951	178	223
23 T1 Festeboyle, Duo	6025807	GB19299T1956	146	183
24 T2 komplett Ventil Duo	6025887	GB19299T2956	560	700
25 T2 Ventilhus Duo	6025884	GB19299T2953	208	260
26 Ventilhuspakning	6025812	GB19299TK962	63	79
27 Bunnventilpakning	6025831	GB19299TK961	59	74
28 Mutter til bunnventil	6025813	GB19299TK960	50	63
29 T2 Trykknapp Duo, krom	6025882	GB19299T2951	178	223
30 Sистерnelokk Skandic, rund knapp	6024964	GB19299T2800	305	381





Reservedeler - Barneklosett 305, 1950

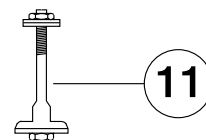
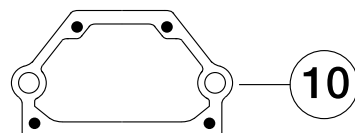
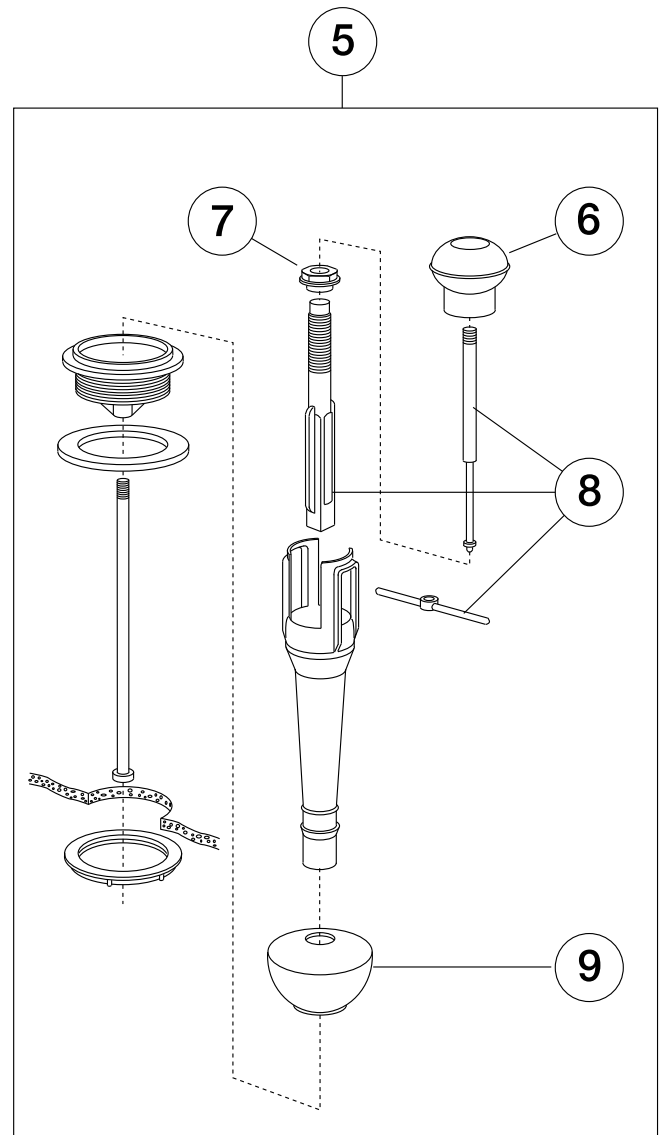
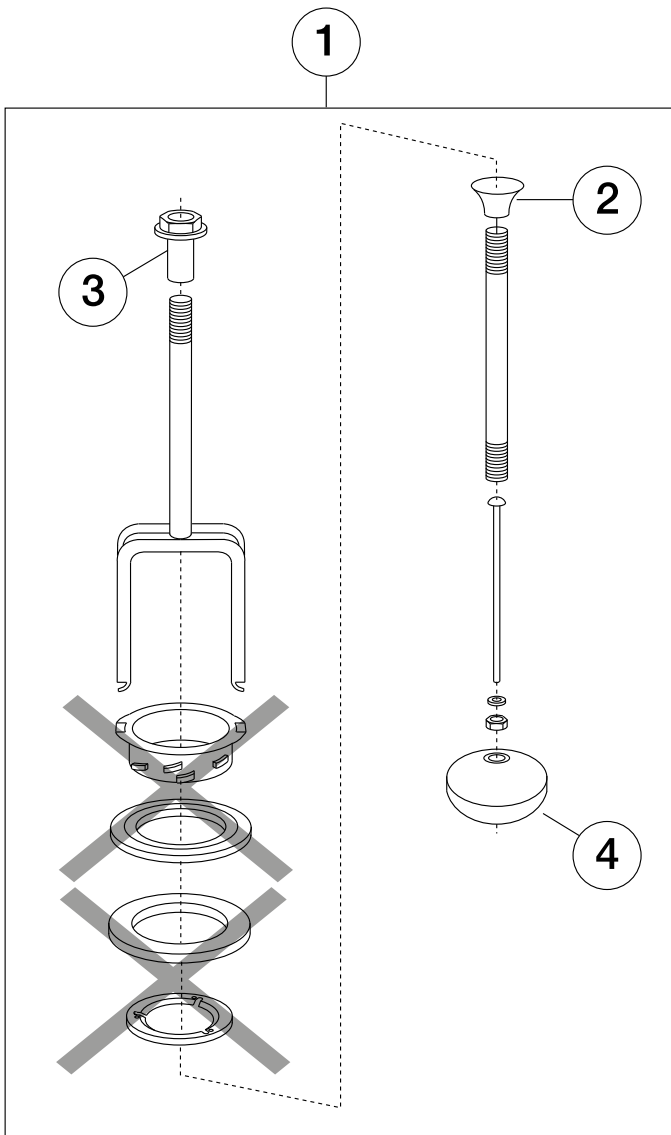
DETALJENUMMER OG PRODUKT	NRF. NR.	ART. NR.	VEIL. PRIS EKS. MVA.	VEIL. PRIS INKL. MVA.
1 NP-11 Løfteknott	6026414	GB1929900237	71	89
2 Sистерnelokk (år 1992-)	6024972	GB1041060100	357	446
3 NP-20 Bunnventil (år 1982-)	6026421	GB1929900238	493	616
4 NP/NT/ST Ventilball	6026213	GB1929900260	85	106
5 NP-10 Lokkmutter	6026411	GB1929900236	57	71
6 Sистерne med lokk, uten armatur (år 1992-)	6024327	GB1042060101	2.340	2.925
7 Sистерnepakning	6026545	GB1929900316	70	88
8 Sистерnebolt	6026525	GB1929900217	141	176
9 Hvit propensete f/305 uten lokk	6025407	GB1919901286	265	331
10 Hvit propensete f/305 med lokk	6025406	GB1919900910	1.015	1.269
11 Ekspansjonsfeste f/propensete	6026511	GB1929901453	55	69
12 Skål	6023611	GB1043050101	4.355	5.444
13 GB Membransett	6025898	GB1929901976	115	144
14 GB Flottørventil, sidekoblet	6025896	GB1929901974	563	704
NP, Evalet 210, 220, 230, NP21 løftestang	6025923	GB1929900239	155	194





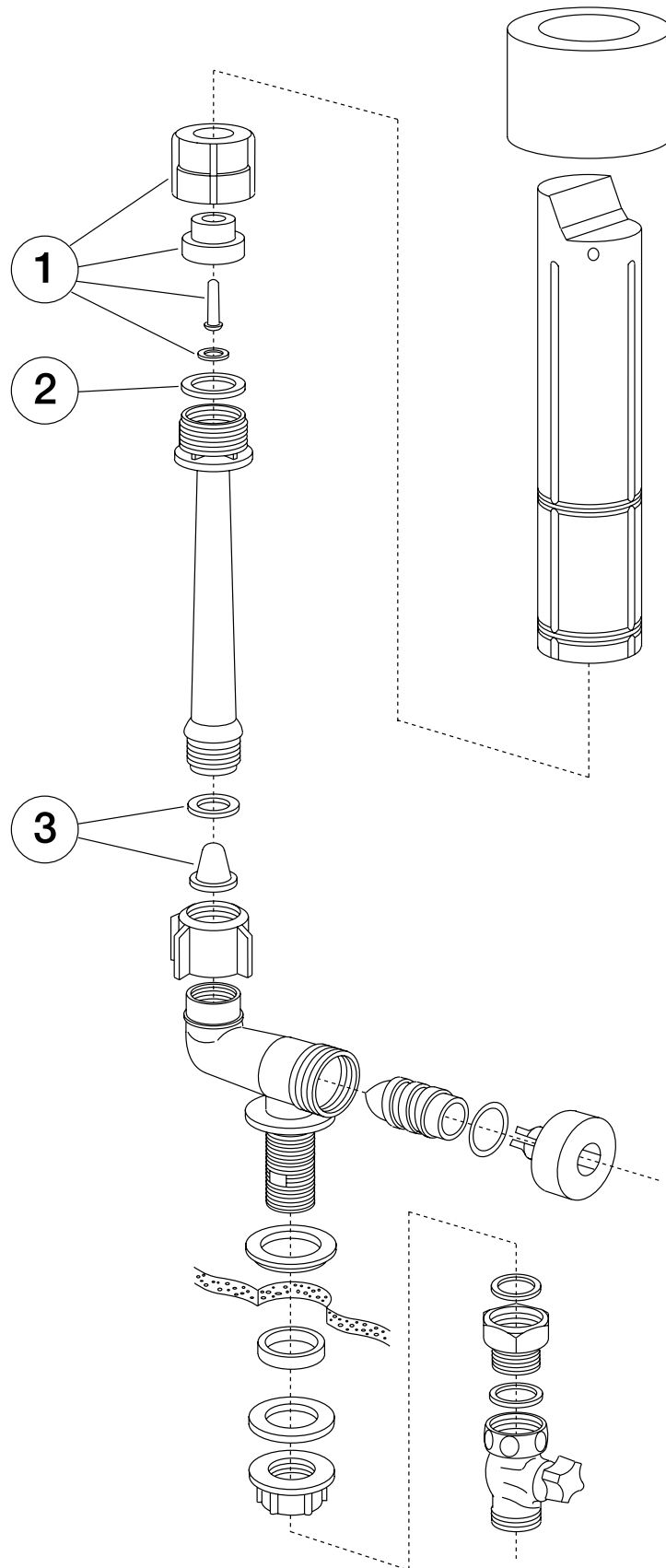
Reserve deler - 325, 344, 1977-1995

DETALJENUMMER OG PRODUKT	NRF. NR.	ART. NR.	VEIL. PRIS EKS. MVA.	VEIL. PRIS INKL. MVA.
1 NT-21 trykknapp/ramme, hvit	6026366	GB1929900208	168	210
2 Fjær	6025848	GB1929901244	42	53
5 ST-Bunnventil	6026581	GB1929900282	279	349
6 ST-22 løfteanordning	6026373	GB1929900209	104	130
7 NP/NT/ST Ventilball	6026212	GB1929900260	85	106
8 ST-2 senterstang	6025845	GB1929900347	64	80
9 GB Flottørventil	6025893	GB1929901972	492	615
*) GB Flottørventil sidekoplet	6025896	GB1929901974	563	704
10 GB Membransett	6025895	GB1929901979	115	144
11 Sистерnepakning f/klosett 325	6026541	GB1929900216	60	75
Sистерnepakning f/344	6026543	GB1929900315	60	75
12 Sистерnebolt f/315/325	6026525	GB1929900217	141	176
13 Hvitt propensete f/325	6025411	GB1929900226	265	331
14 Hvitt universalsete f/325	6025415	GB1919901900	809	1.011
15 Rustfrie fester, stillbare	6026518	GB1919901830	123	154
Nippelmuffe - TF35	6026266	GB1929900058	80	100





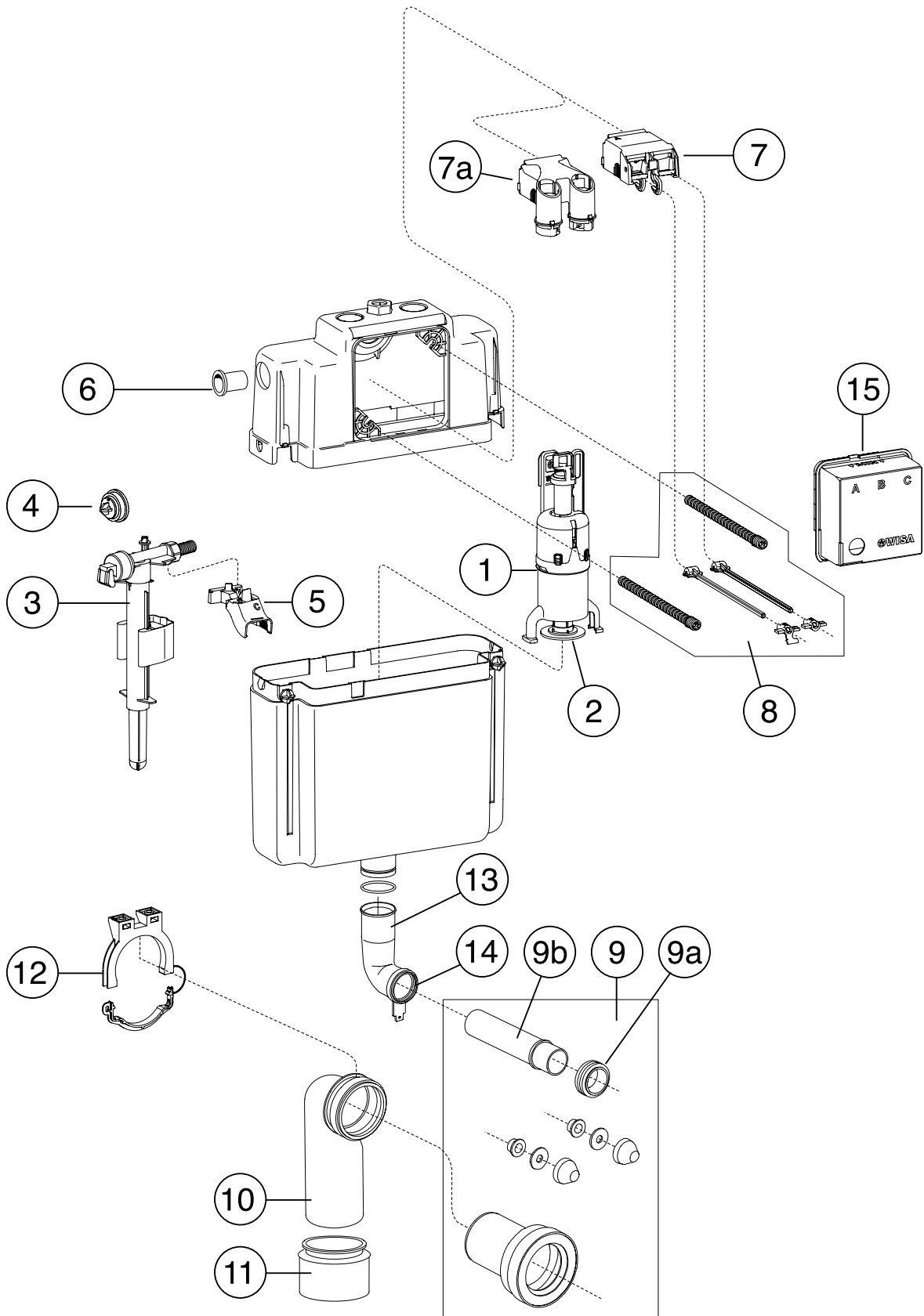
DETALJENUMMER OG PRODUKT	NRF. NR.	ART. NR.	VEIL. PRIS EKS. MVA.	VEIL. PRIS INKL. MVA.
1 NC Bunnventil til samtlige modeller prod. før 1982 utenom 305 og gamle 360	6026201	GB1929900211	536	670
2 NC-10 Løfteknapp	6026221	GB1929900291	73	91
3 NC-8 Lokkmutter	6025922	GB1929900332	27	34
4 NC-5 Ventilball Universal	6026213	GB1929900244	85	106
5 NP-20 løfteventil	6026421	GB1929900238	493	616
6 NP-11 Løfteknott	6026414	GB1929900237	71	89
7 NP-10 toppmutter	6026411	GB1929900236	57	71
8 NP-21 Løfestang	6025923	GB1929900239	155	194
9 NP/NT/ST Ventilball	6026212	GB1929900260	85	106
10 Sистернеpakning f/ 315/325	6026541	GB1929900216	60	75
11 Sистернеbolt f/315/325	6026525	GB1929900217	141	176





DETALJENUMMER OG PRODUKT	NRF. NR.	ART. NR.	VEIL. PRIS EKS. MVA.	VEIL. PRIS INKL. MVA.
1 TF-33 Servoventil	6026262	GB1929900233	124	155
2 TF-11 Membran	6026247	GB1929900229	60	75
3 TF-9 Sil, pakning	6026244	GB1929900228	60	75
TP-10 Membran	6026282	GB1929900330	49	61

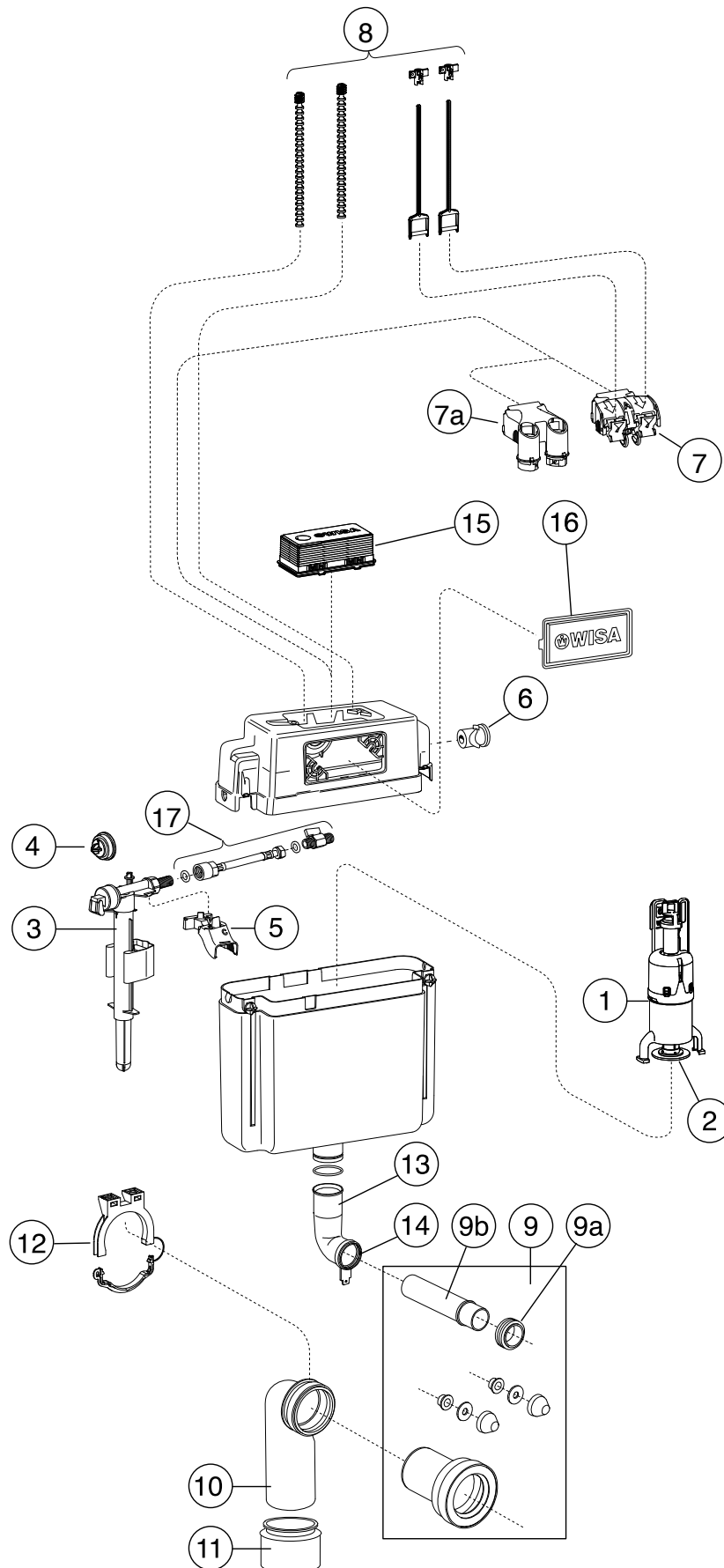
OBS! Samtlige gamle, komplette flottørventiler erstattes av GB flottørventil - se side F11 detalje 10.



RESERVEDELER

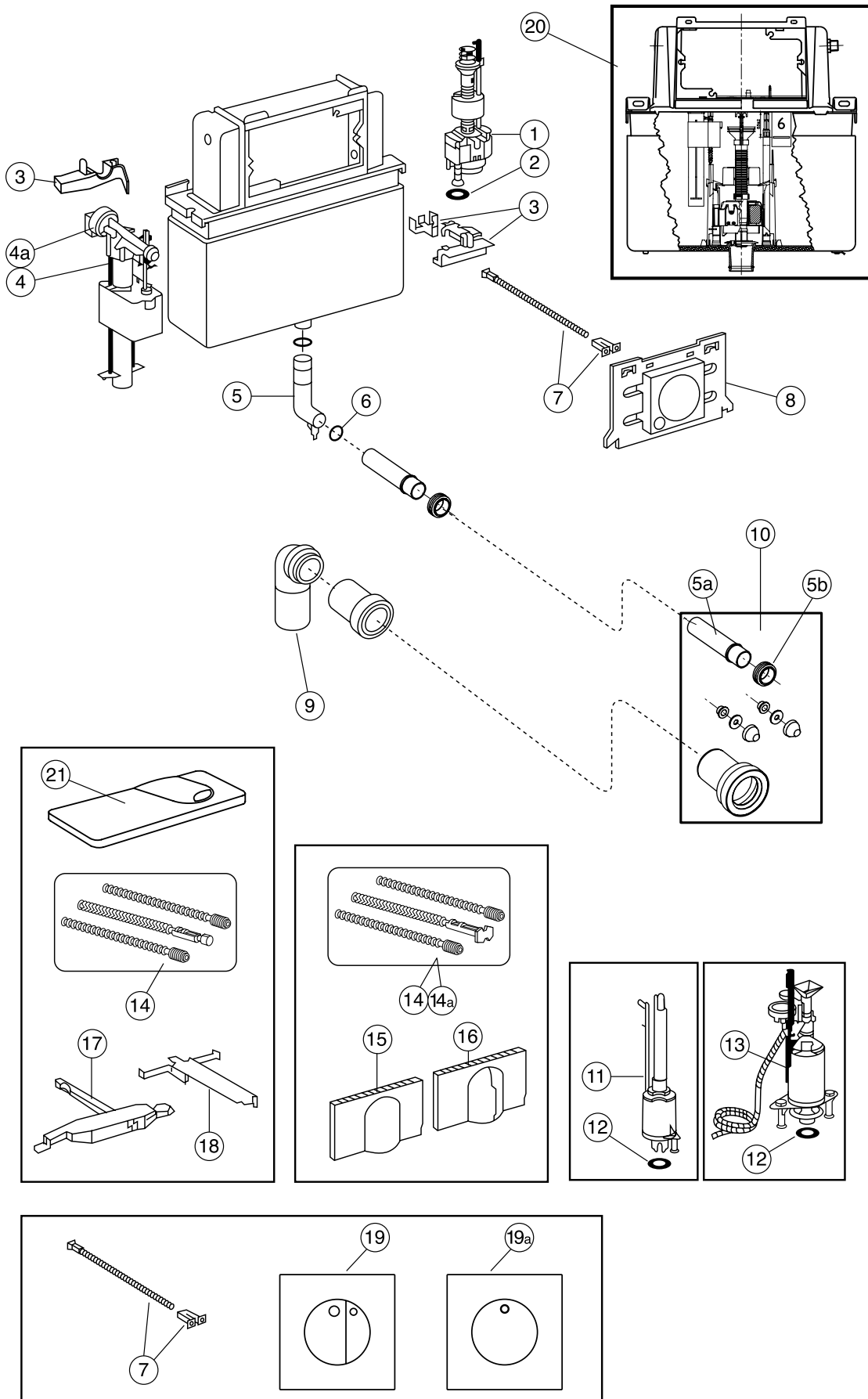


DETALJENUMMER OG PRODUKT	NRF. NR.	ART. NR.	VEIL. PRIS EKS. MVA.	VEIL. PRIS INKL. MVA.
1 Bunnventil Duo/Enkel	6025943	GB1921100370	321	401
2 Tetning bunnventil	6025944	GB1921100371	131	164
3 Flottørventil	6025945	GB1921100372	470	588
4 Membran	6025946	GB1921100373	123	154
5 Feste flottørventil	6025947	GB1921100375	135	169
6 Hylse XS m/besk.rør 18-28 mm	6025948	GB1921100376	243	304
7 Mekanisk løfteanordning XS	6025949	GB1921100377	186	233
7a Pneumatisk løfteanordning	6025626	GB1921100394	317	396
8 Sett med fiksering/manøverpinner enkelspylning XS	6025951	GB1921100378	176	220
8 Sett med fiksering/manøverpinner dobbelspylning XS	6025952	GB1921100379	186	233
9 Sett klosett-tilkopl. Spylerør L= 300 mm Tilkopling spylerør Avløpsrør L = 300 mm Veggmonteringssett	6025953	GB1921100380	568	710
9a Tilkopling spylerør	6025954	GB1921100381	131	164
9b Spylerør L= 300 mm	6025752	GB1921100111	171	214
10 Avløpsbend 90x90 mm	6025955	GB1921100382	327	409
11 Exsenter 90x110 mm	6025956	GB1921100383	255	319
12 Fiksering avløpsbend	6025957	GB1921100384	149	186
13 Spylerør med feste XS	6025958	GB1921100385	220	275
14 Tetningsring spylerør XS	6025959	GB1921100386	128	160
15 Beskyttelseskappe XS	6025961	GB1921100387	168	210
Boltesett for XS	6025674	GB1921102028	81	101
Pakning mot vegg bak klosett		GB1921100388	91	114
Pneumatisk slange for trykkplate XS/XT	6023008	GB1921100398	118	147
Rep. sett for feste m/trykknapp		GB1921100389	140	175





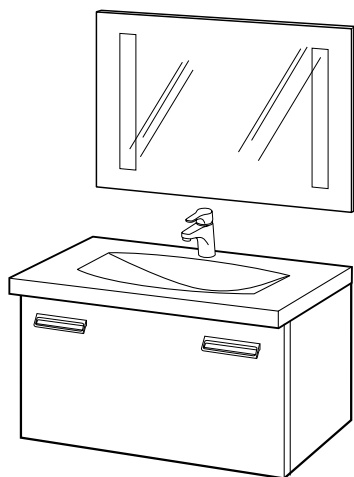
DETALJENUMMER OG PRODUKT	NRF. NR.	ART. NR.	VEIL. PRIS EKS. MVA.	VEIL. PRIS INKL. MVA.
1 Bunnventil	6025943	GB1921100370	321	401
2 Tetning bunnventil	6025944	GB1921100371	131	164
3 Flottørventil	6025945	GB1921100372	470	588
4 Membran	6025946	GB1921100373	123	154
5 Feste flottørventil	6025947	GB1921100375	135	169
6 Hylse XT for beskyttelsesrør 18-28 mm	6025667	GB1921100392	241	301
7 Feste med løfte krok XT	6025627	GB1921100395	186	233
7a Pneumatisk løfteanordning	6025626	GB1921100394	317	396
8 Sett med fiksering/manøverpinner XT	6025666	GB1921100391	186	233
9 Sett klosett tilkpl. Spylerør L= 300 mm Tilkopling spylerør Avløpsrør L = 300 mm Veggmonteringssett	6025953	GB1921100380	568	710
9a Tilkopling spylerør	6025954	GB1921100381	131	164
9b Spylerør L= 300 mm		GB1921100111	171	214
10 Avløpsbend 90x90 mm	6025955	GB1921100382	327	409
11 Exsenter 90x110 mm	6025956	GB1921100383	255	319
12 Fiksering avløpsbend	6025957	GB1921100384	149	186
13 Spylerør med feste	6025639	GB1921100397	149	186
14 Tetningsring spylerør	6025959	GB1921100386	128	160
15 Beskyttelseskappe XT	6025665	GB1921100390	164	204
16 Dekkåpe XT	6025638	GB1921100396	164	204
17 Fleksibel tilkoblingsslagesett Pneumatisk slange for XS/XT trykkplater	6025668 6023008	GB1921100393 GB1921100398	309 119	387 149



RESERVEDELER



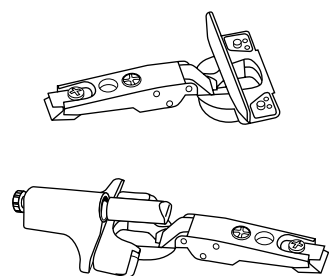
DETALJENUMMER OG PRODUKT	NRF. NR.	ART. NR.	VEIL. PRIS EKS. MVA.	VEIL. PRIS INKL. MVA.
1 Bunnventil	6025803	GB1921100095	615	769
2 Tetning bunnventil, duo	6025871	GB1921100110	40	50
3 Feste flottørventil	6025868	GB1921100107	198	247
3a Brygge og feste flottørventil	6025865	GB1921100122	198	248
4 Flottørventil	6025945	GB1921100372	470	588
4a Membran flottørventil	6025946	GB1921100373	123	154
5 Spylørør bend m/feste	6025958	GB1921100385	220	275
5a Spylørør L= 300 mm	6025752	GB1921100111	171	214
5b Tilkopling spylørør	6025954	GB1921100381	131	164
6 Tetningsring spylørør	6025959	GB1921100386	128	160
7 Distanse/låsepinne duo/enkel for pos 19	6025873	GB1921100114	180	225
8 Beskyttelseskappe for pos. 19	6025874	GB1921100115	198	248
9 Avløpsbend 90x110 mm	6025875	GB1921100116	646	808
10 Sett klosett tilkoppl.	6025953	GB1921100380	568	710
9b Spylørør L= 300 mm		GB1921100111	171	214
10 Avløpsbend 90x90 mm	6025955	GB1921100382	327	409
Spylørør L= 300 mm				
Tilkopling spylørør				
Avløpsrør L = 300 mm				
Veggmonteringssett				
11 Bunnventil enkel	6025857	GB1921100082	206	258
12 Tetning bunnventil enkel/pneumatisk	6025858	GB1921100083	41	51
13 Bunnventil Pneumatisk	6025856	GB1921100081	1.706	2.133
14 Distanse/låsepinne enkel for pos 15 och 21	6025861	GB1921100094	180	225
14a Distanse/låsepinne duo for pos 16	6025862	GB1921100098	180	225
15 Kompl. frontluke eldre utførelse enkelspylning, hvit	6025351	GB1921101171	470	588
16 Kompl. frontluke duo	6025729	GB1921101178	485	606
17 Hevearm Triomont 2903	6025863	GB1921100099	89	111
18 Brygge Triomont 2903	6025877	GB1921100118	70	88
19 Frontpanel Triomont Universal, Duo				
Hvit	6025737	GB1921102010	361	452
Matt krom	6025739	GB1921102012	765	956
Blank krom	6025744	GB1921102016	765	956
19a Frontpanel Triomont Universal, enkelspylning				
Hvit	6025738	GB1921102011	361	452
Matt krom	6025741	GB1921102013	765	956
Blank krom	6025745	GB1921102017	765	956
20 Komplette sisterner	6025757	GB1921102003	1.808	2.260
uten spylørørbend (nr 5) og				
uten besk.kåpe (nr 8)				
21 Toppbetjent panel, hvit	6025727	GB1921101191	285	356
Toppbetjent panel, krom	6025728	GB1921101188	554	693



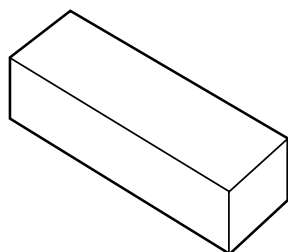
Logic



Nordic II



Hengsler til Logicmøbler



Keramisk gummi

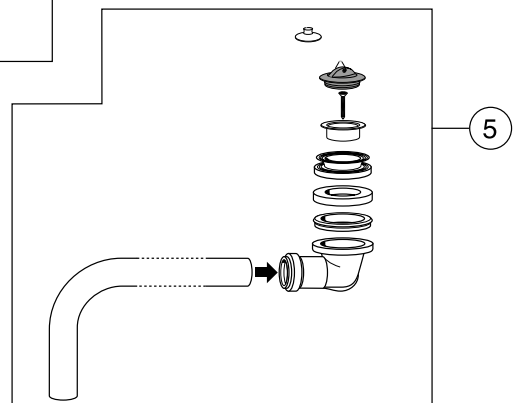
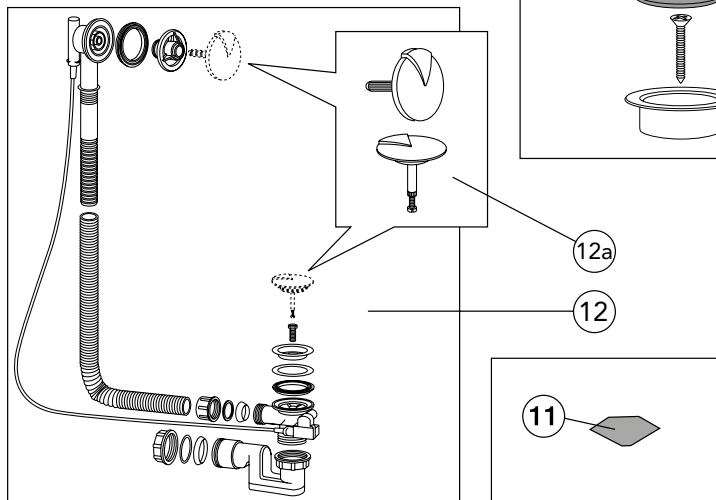
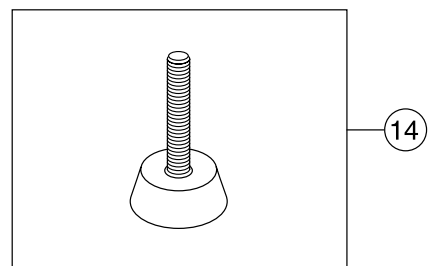
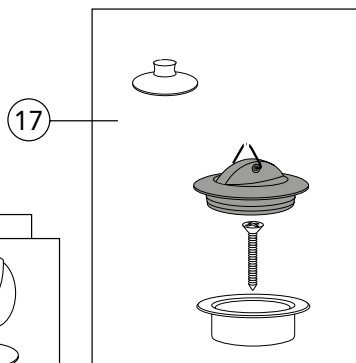
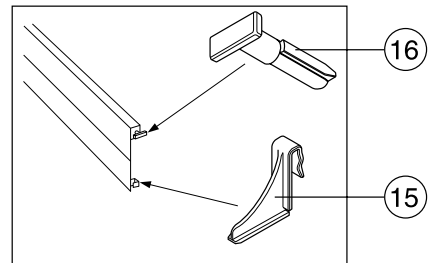
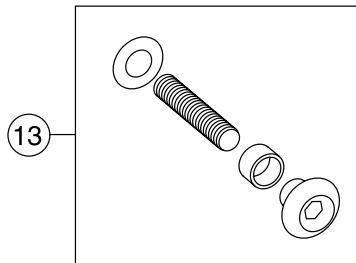
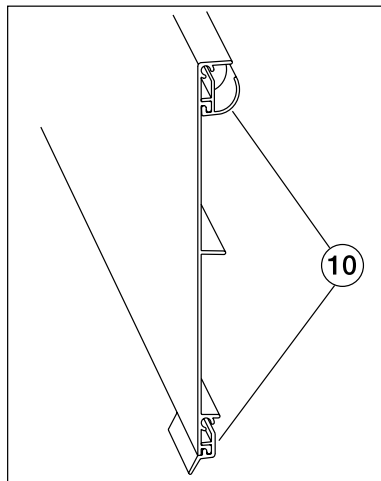
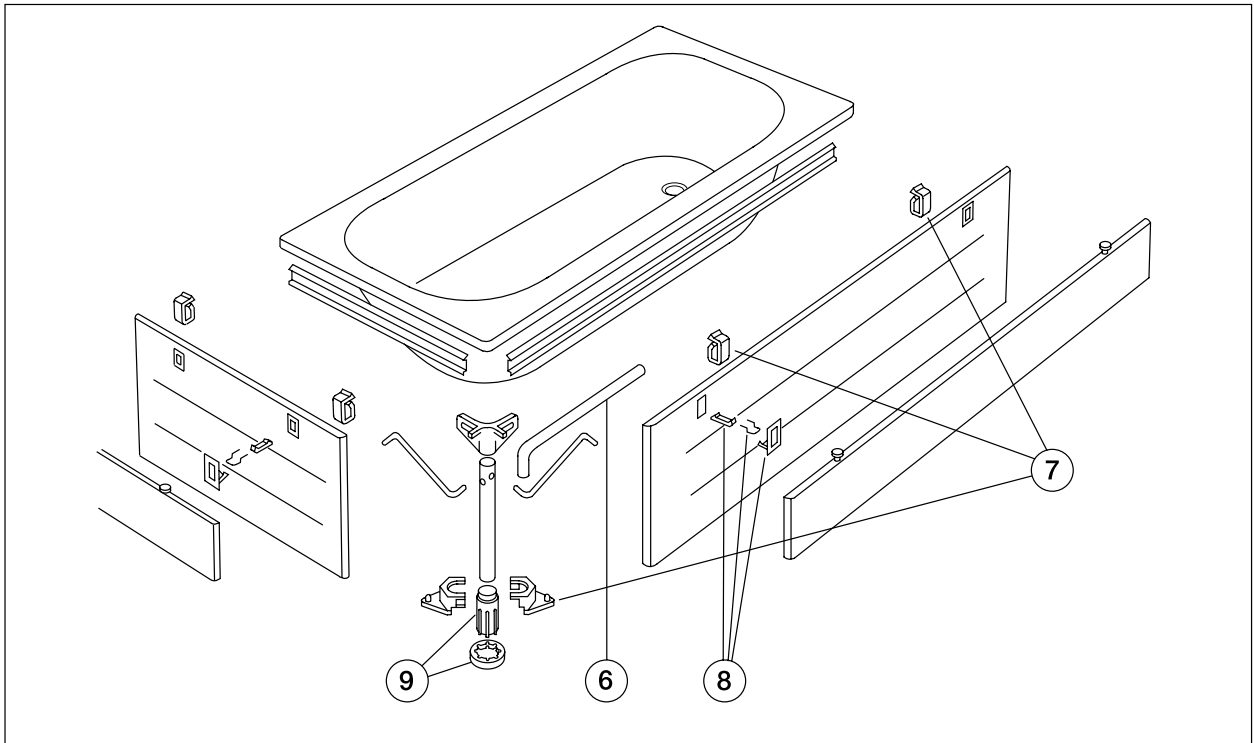
Såpedispenser

Møbler

DETALJENUMMER OG PRODUKT	NRF. NR.	ART. NR.	VEIL. PRIS EKS. MVA.	VEIL. PRIS INKL. MVA.
Nordic II Dør 2800/2810/2820, høyre/venstre, hvit 2003-2011	7031019	GB8128000100	1.080	1.350
Artic Transformator 6-pol 2005-	7031035	GB8148300001	241	301
Logic Hengsler (par) 2009-	7031022	GB8118000002	180	225

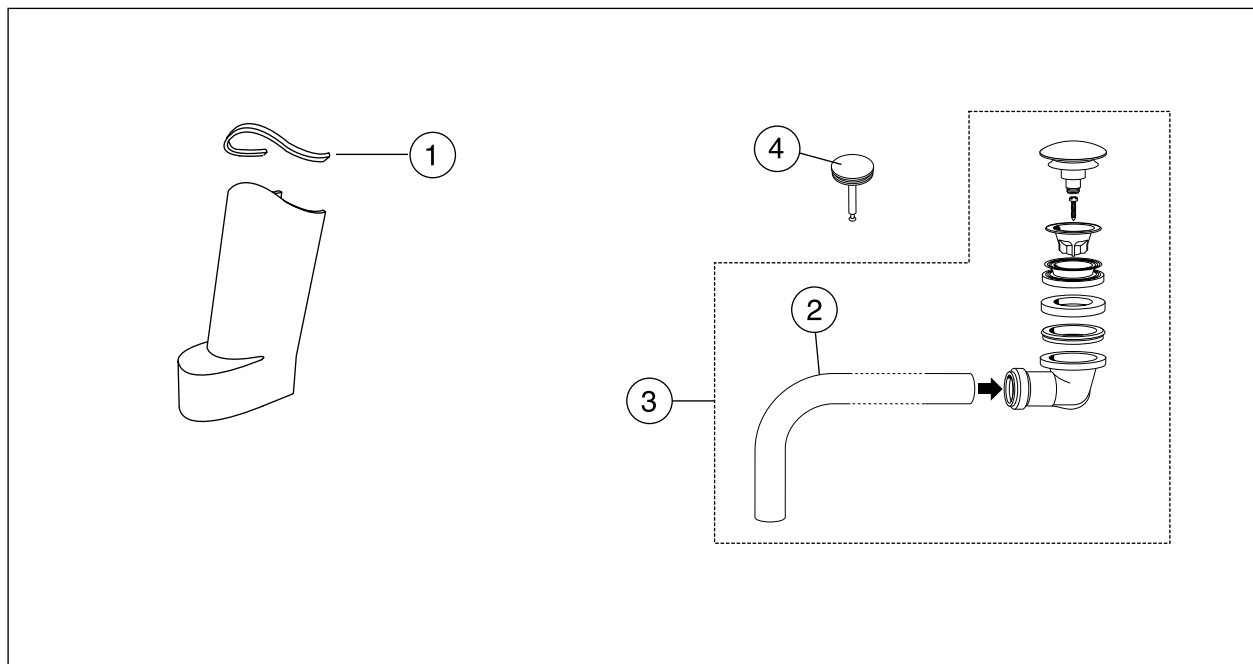
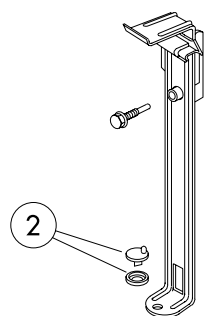
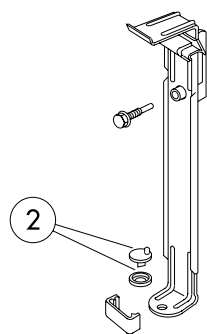
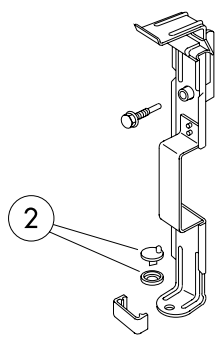
Øvrige

DETALJENUMMER OG PRODUKT	NRF. NR.	ART. NR.	VEIL. PRIS EKS. MVA.	VEIL. PRIS INKL. MVA.
Såpedispenser, komplett	6021912	GB1922100802	1.063	1.329
Øvrig Keramisk gummi	6025842	GB1923100802	359	449



Badekar

DETALJENUMMER OG PRODUKT	ÅRSTALL	NRF. NR.	ART. NR.	VEIL. PRIS EKS. MVA.	VEIL. PRIS INKL. MVA.
5 Ventilhus med propp til samtlige standardbadekar	2009-	6030129	GB2929900175	87	109
6 Utløpsrør til samtlige standardbadekar, hvit		6031935	GB2929900172	136	170
7 Front/Gavl feste for badekar	1992-2000	6031952	GB2929900112	97	121
8 Frontlås til samtlige badekar, hvit	1986-2000	6031865	GB2929900115	57	71
9 Badekarben	1991-2000	6031841	GB2929900037	94	118
10 Hake + fjær til helfrontstativ	2000-2009	6031715	GB2929900228	141	176
11 Hjørnebeskyttelse til samtlige standard-badekar for frontstativ (4 styck)	2000-	6030157	GB2929900110	185	232
12 Avløpsett	2011-	6031722	GB2924300155	801	1.001
12a Ventilpropp/vrider	2000-	6031723	GB2924300156	288	360
13 Monteringsdetaljer till designfronter/gavl	2001-2011	6031713	GB2929920001	21	26
14 Stillbare føtter ti l hel-, halv- samt designfrontstativ (4 stk)	2002-	6030552	GB2929970004	166	208
15 Plastneppert f/sokkel helfront/gavel	2009-	6031735	GB2929970001	118	147
16 Styrestift f/sokkel helfront/gavl	2009-	6031736	GB2929970002	73	92
17 Utbyttepropp (sil, skrue, svart gummipropp og kjede)	2010-	6030553	GB2929900174	87	109
Tube med emaljelakk. Hvit	2001-	6032809	GB1923101721	152	190



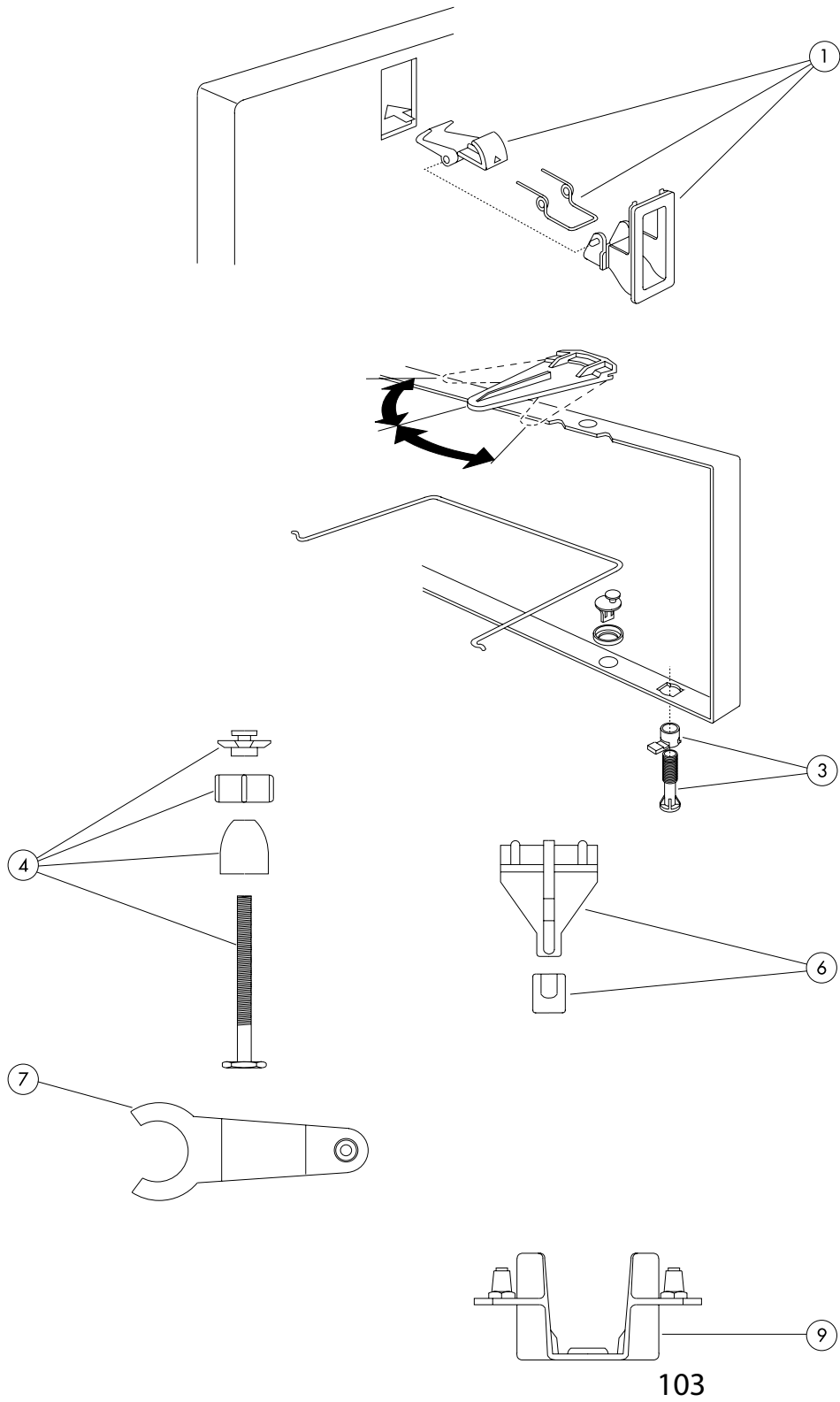


Frontfester

DETALJENUMMER OG PRODUKT	ÅRSTALL	NRF. NR.	ART. NR.	VEIL. PRIS EKS. MVA.	VEIL. PRIS INKL. MVA.
2 Exenter, pakning for front til badekar: 3165-2-86, 165-2, 4005-2, 4155-2, 4305-2, 4405-3, 3165-3-9000, 4405-3-9000	-1992	6031874	GB2929900048	28	35

Badekar 6316/6368

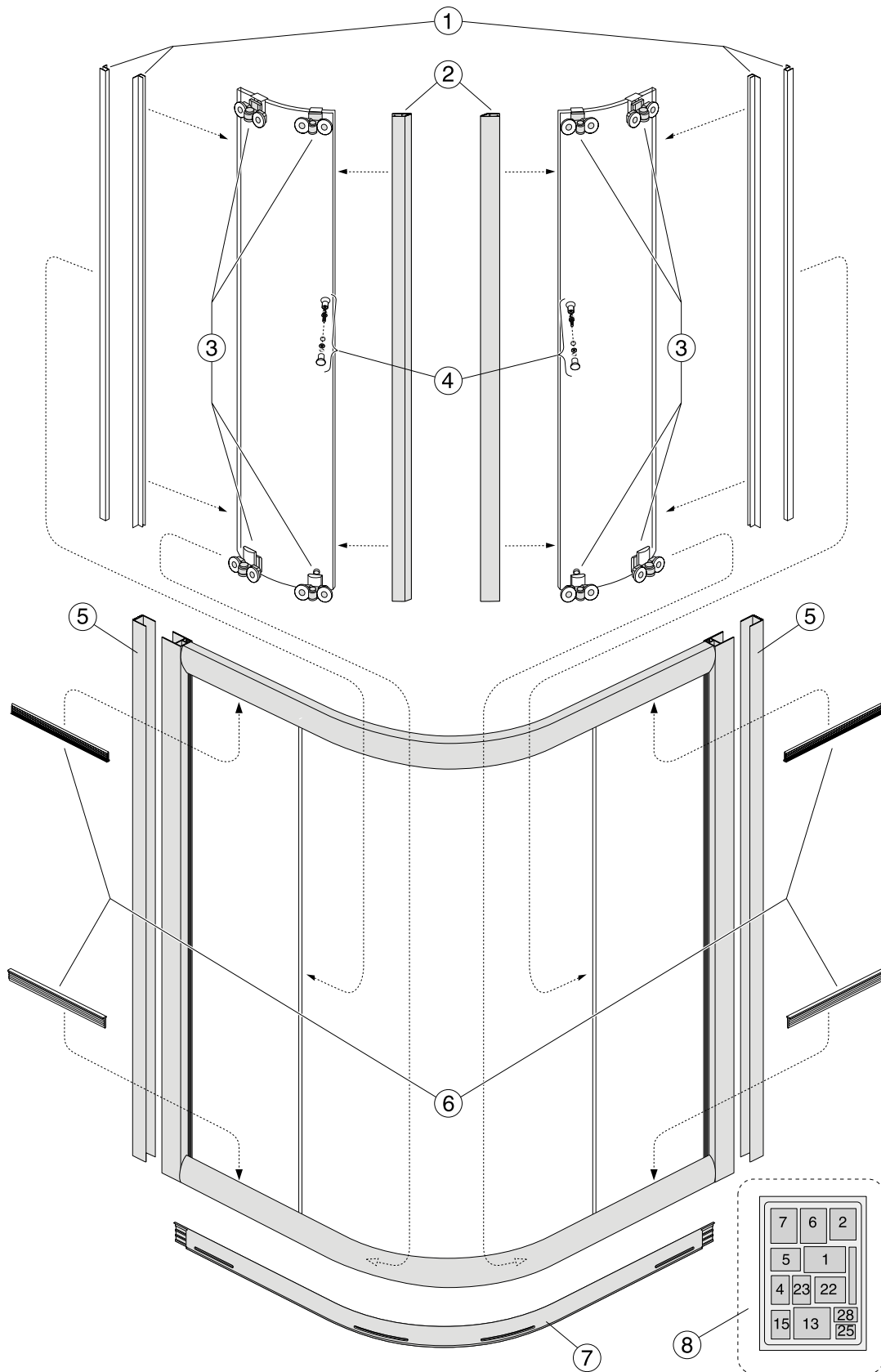
DETALJENUMMER OG PRODUKT	ÅRSTALL	NRF. NR.	ART. NR.	VEIL. PRIS EKS. MVA.	VEIL. PRIS INKL. MVA.
2 Utløpsrør, hvit		6031935	GB2929900172	136	170
3 Bunnventil pop-up, komplett til samtlige standardbadkar	2009-	6031737	GB2929970003	516	645
4 Propp f/wirereg.bunnventil, hvit	1998-2009	6031825	GB2924300160	67	84
Ditto, Krom		6031734	GB2924300166	185	231





Badekarsfront og gavl

DETALJENUMMER OG PRODUKT	ÅRSTALL	NRF. NR.	ART. NR.	VEIL. PRIS EKS. MVA.	VEIL. PRIS INKL. MVA.
1 Frontlås, snepert.Mod.5-6-7. GB/Evalet, hvit	1986-1992	6031865	GB2929900115	57	71
3 Front/gavlstøtte til badekar: 3160, 4401, 3165, 3165-3-9000 4005, 4155-2, 4305, 4405, 4405-3-9000	-1992	6031868	GB2929900117	68	85
4 Front/gavlstøtte til badekar: 3006, 4001, 4150, 4301	-1988	6031891	GB2929900118	68	85
6 Øvre front/gavlfeste til badekar: 3006, 4001, 4150, 4301	-1988	6031881	GB2929900041	71	89
7 Fronthake til badekar: 3006, 4001	-1988	6031909	GB2929900120	50	62
9 Øvre frontfeste til badekar: 3160 Ventilpropp m/O-ring fra 2001	-1991	6031903 6030129	GB2929900119 GB2929900175	29 87	36 109

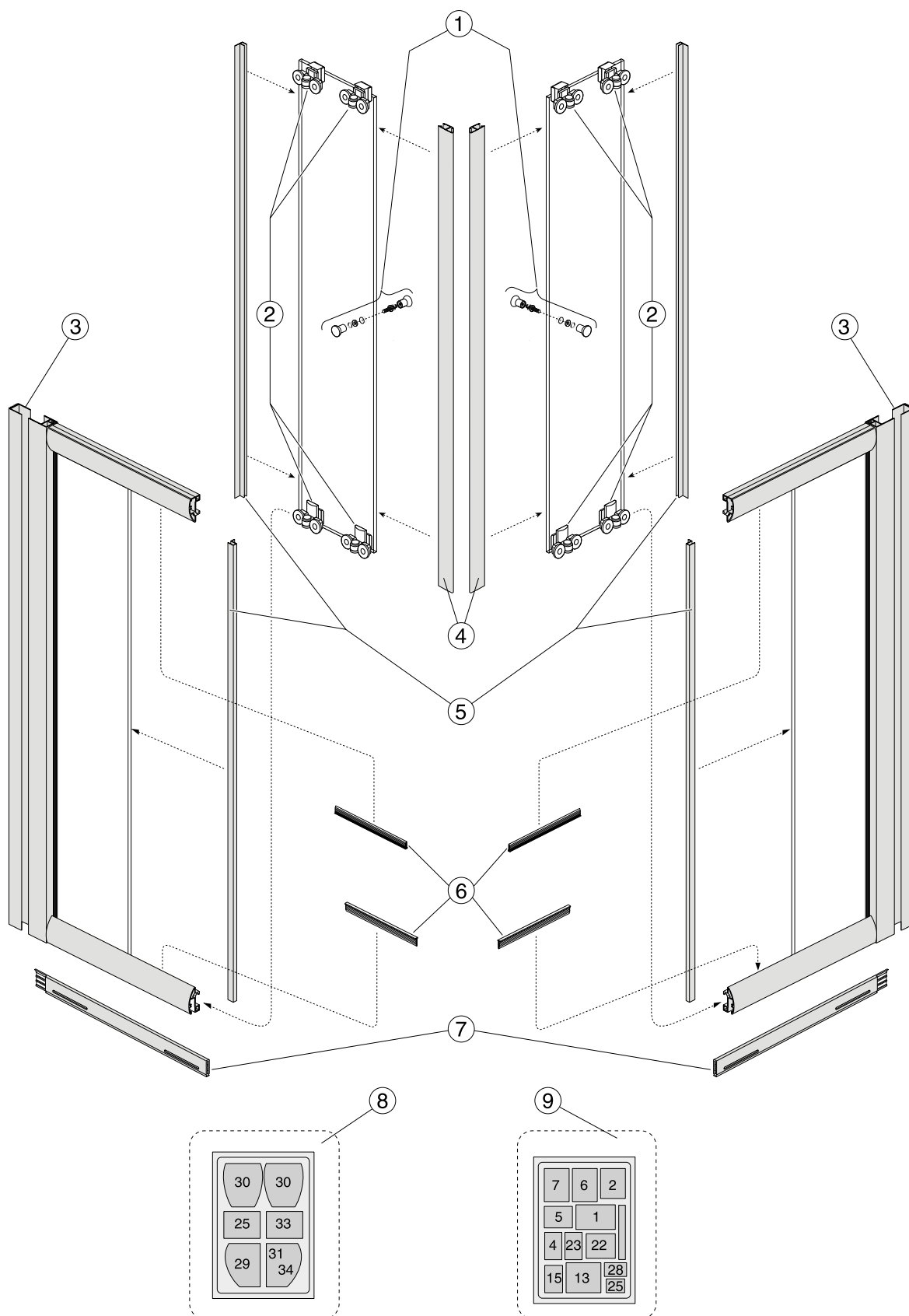


RESERVEDELER



NQ halvrundt dushjørne med skyvedører

DETALJENUMMER OG PRODUKT	ART. NR.	VEIL. PRIS EKS. MVA.	VEIL. PRIS INKL. MVA.
1 Tetningslister, 2009-	UPGURSPG-6	247	309
2 Magnetlister, 2009-	UPGUED01020	247	309
3 Trinser, doble, sett 4 stk. Oppe nede for en dør	UPGUWH-6-61/2	182	228
4 Dørhåndtak	UDWDOORKNOBW-61	182	228
5 Veggprofil hvit	UPGUFY002-01	176	220
Veggprofil krom	UPGUFY002-61	176	220
6 Tetningslister	UPGUED03030	247	309
7 Justerbar gulvprofil	UPGUED02063D-01	182	228
8 Monteringsdetaljer, hvit	UPGUINSKGQ-01	292	365
Monteringsdetaljer, krom	UPGUINSKGQ-61	292	365

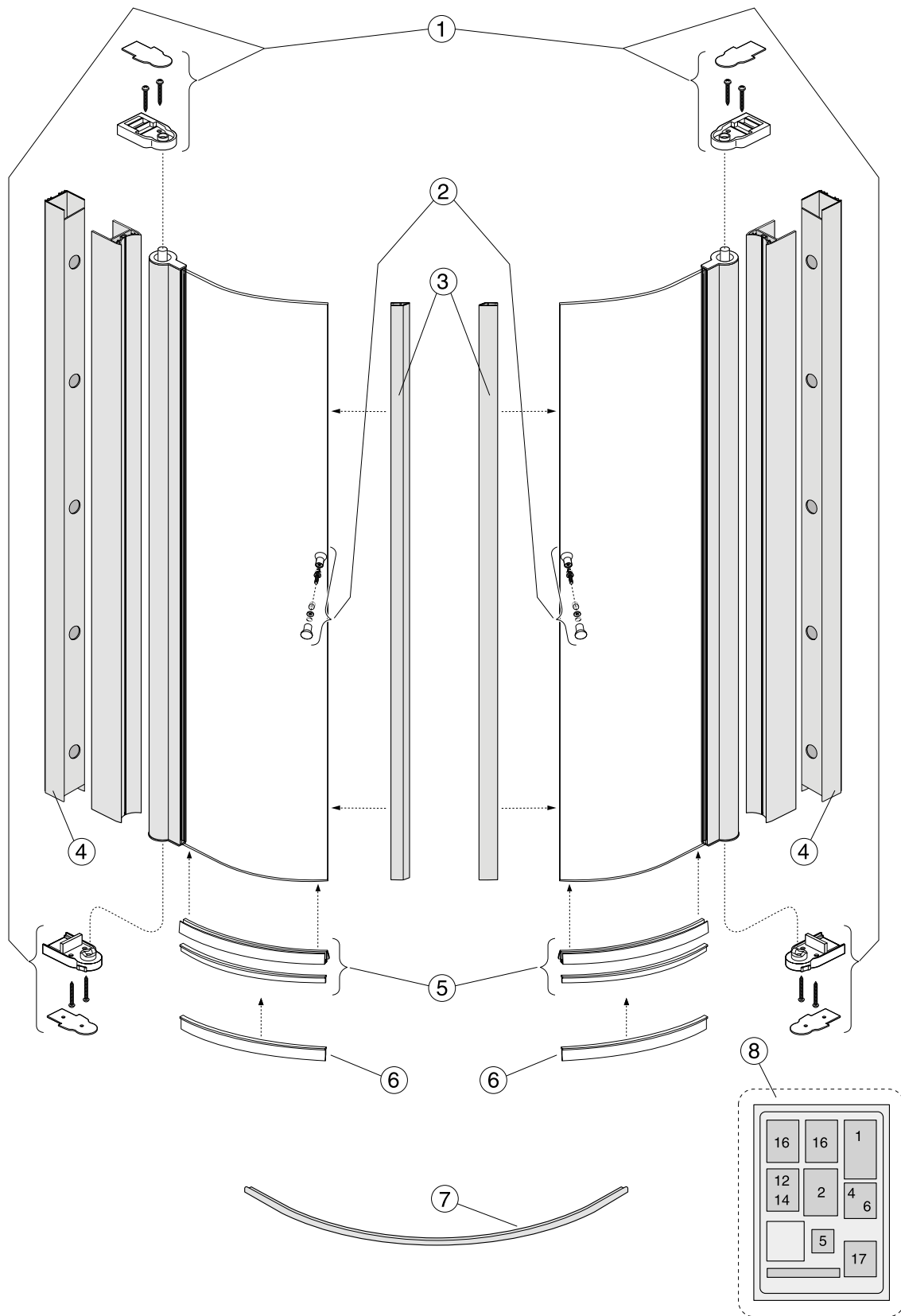


RESERVEDELER



NC firkantet dusjhjørne med skyvedører

DETALJENUMMER OG PRODUKT	ART. NR.	VEIL. PRIS EKS. MVA.	VEIL. PRIS INKL. MVA.
1 Dørhåndtak, 2009-	UDWDOORKNOBW-61	182	228
2 Trinser, 2009-	UPGUWH-6-61/2	182	228
3 Veggprofil, hvit	UPGUFY002-01	176	220
Veggprofil, krom	UPGUFY002-61	176	220
4 Magnetlister	UPGUED01024	247	309
5 Tetningslister	UPGURSPG-8	182	228
6 Tetningslister	UPGUED03030	247	309
7 Gummisokkel m/hjul	UPGUED02063D-01	182	228
Monteringsdetaljer, hvit	UPGUCCT-01	182	228
8 Monteringsdetaljer, krom	UPGUCCT-61	182	228
Monteringsdetaljer, hvit	UPGUINSKGD-01	182	228
9 Monteringsdetaljer, krom	UPGUINSKGD-61	182	228
Trinser	UPGUWH-8-6 1/2	188	235

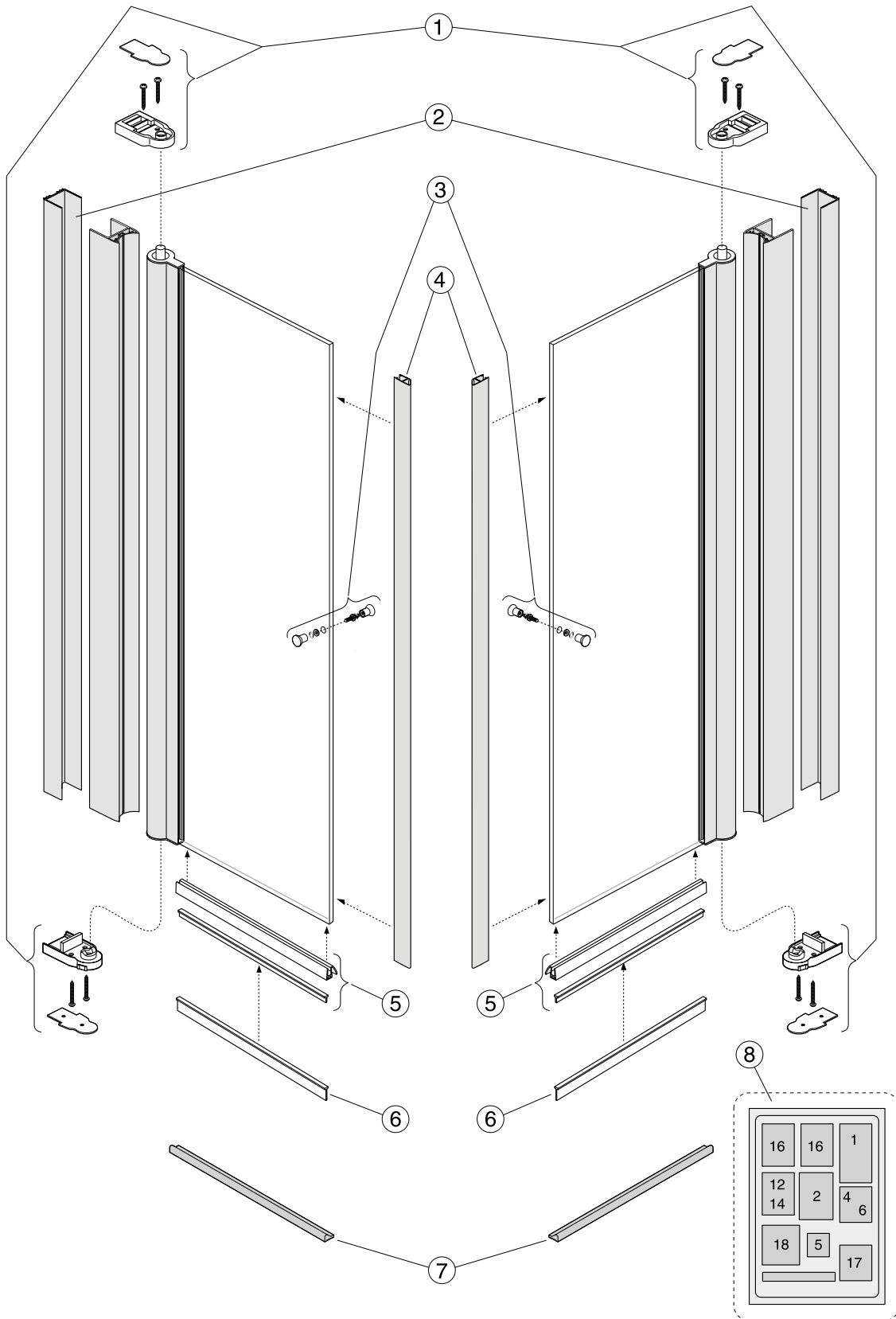


RESERVEDELER



SQ dusjhjørne med buede slagdører

DETALJENUMMER OG PRODUKT	ART. NR.	VEIL. PRIS EKS. MVA.	VEIL. PRIS INKL. MVA.
1 Hjørnebeslag f/dør, opp/nede, 2009-	UPGUTHJ	247	309
2 Dørhåndtak, krom	UDWDOORKNOBW-61	182	228
3 Magnetlister	UPGUED01020	247	309
4 Veggprofil	UPGUFY-011	194	243
5 Tetningslist komplett	UPGUSWD-6	247	309
6 Tetningslist ekstra høy	UPGUED02099	241	301
7 Sokkel	UPGUALPQ	513	641
8 Monteringsdetaljer, krom	UPGUINSKJD-61	247	309

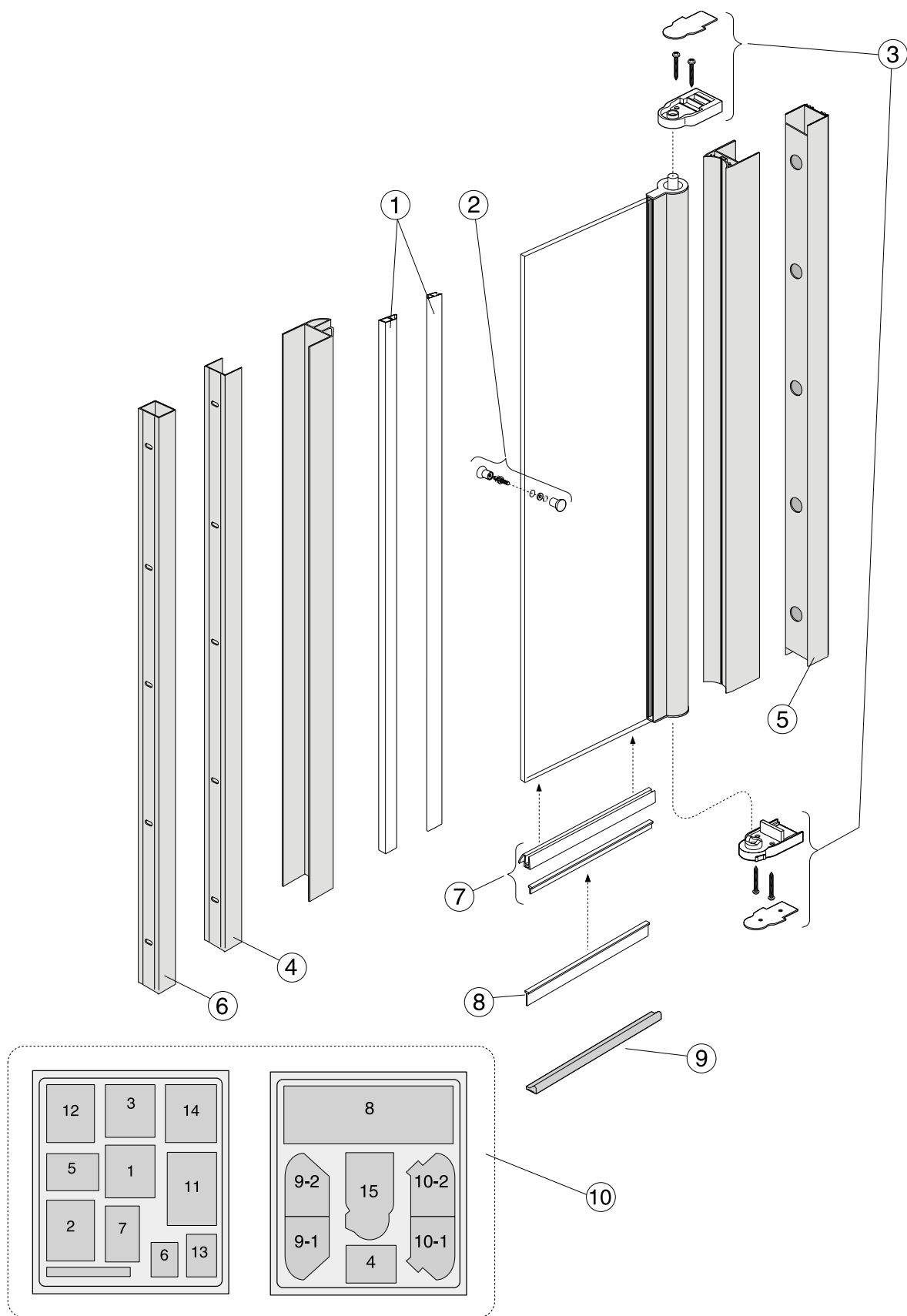


RESERVEDELER



SC dusjhjørne med rette slagdører

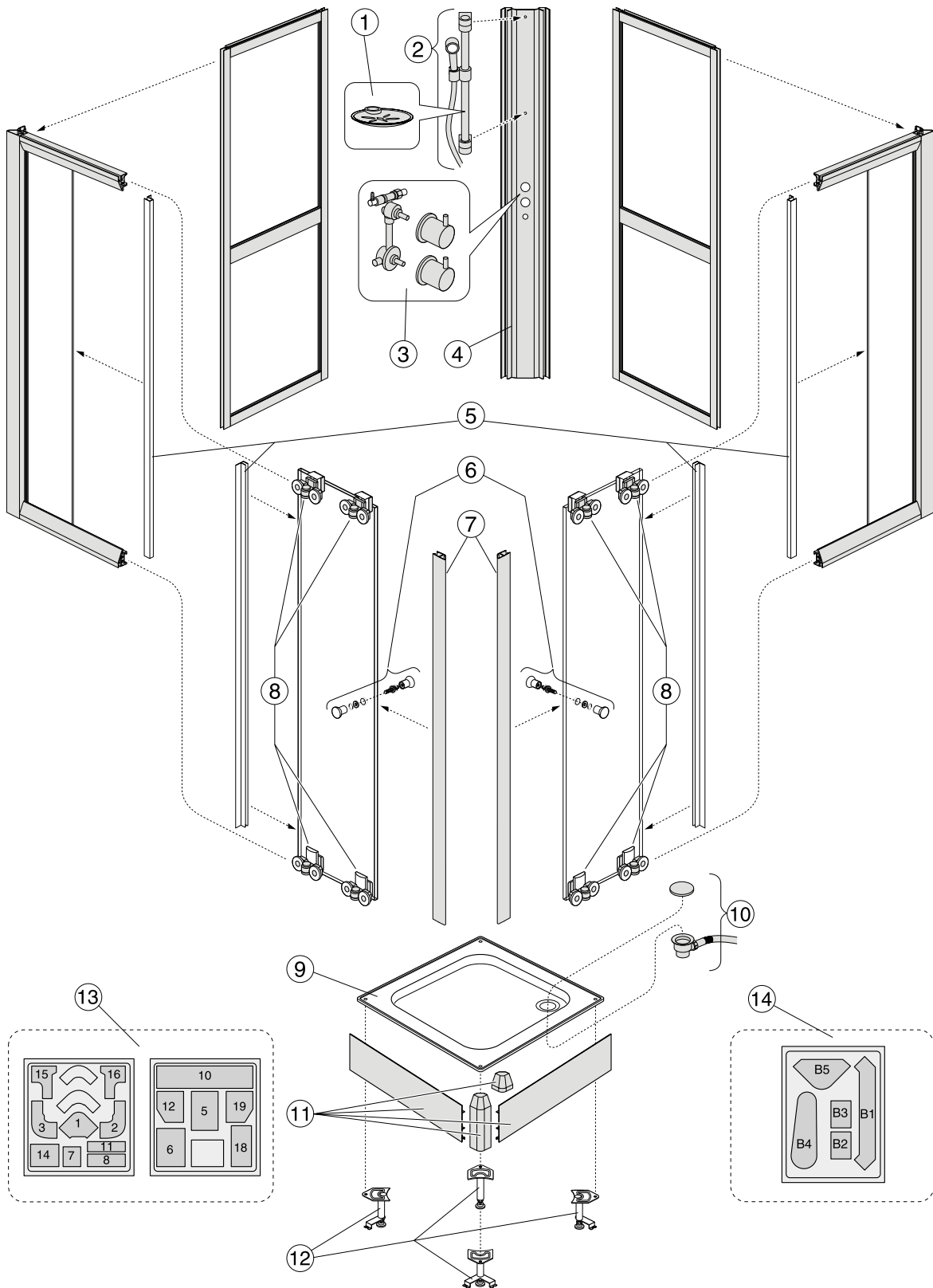
DETALJENUMMER OG PRODUKT	ART. NR.	VEIL. PRIS EKS. MVA.	VEIL. PRIS INKL. MVA.
1 Hjørnebeslag, 2009-	UPGUTHJ	247	309
2 Veggprofil	UPGUFY-011	194	243
3 Dørhåndtak	UDWDOORKNOBW-61	182	228
4 Magnetlister	UPGUED01024	247	309
5 Tetningslister komplett	UPGUSWD-8	247	309
6 Tetningslister ekstra høy	UPGUED02099	247	309
7 Sokkel	UPGUALPD	481	601
8 Monteringsdetaljer	UPGUIINSKJD-61	247	309





SA slagdører for nisjemontering

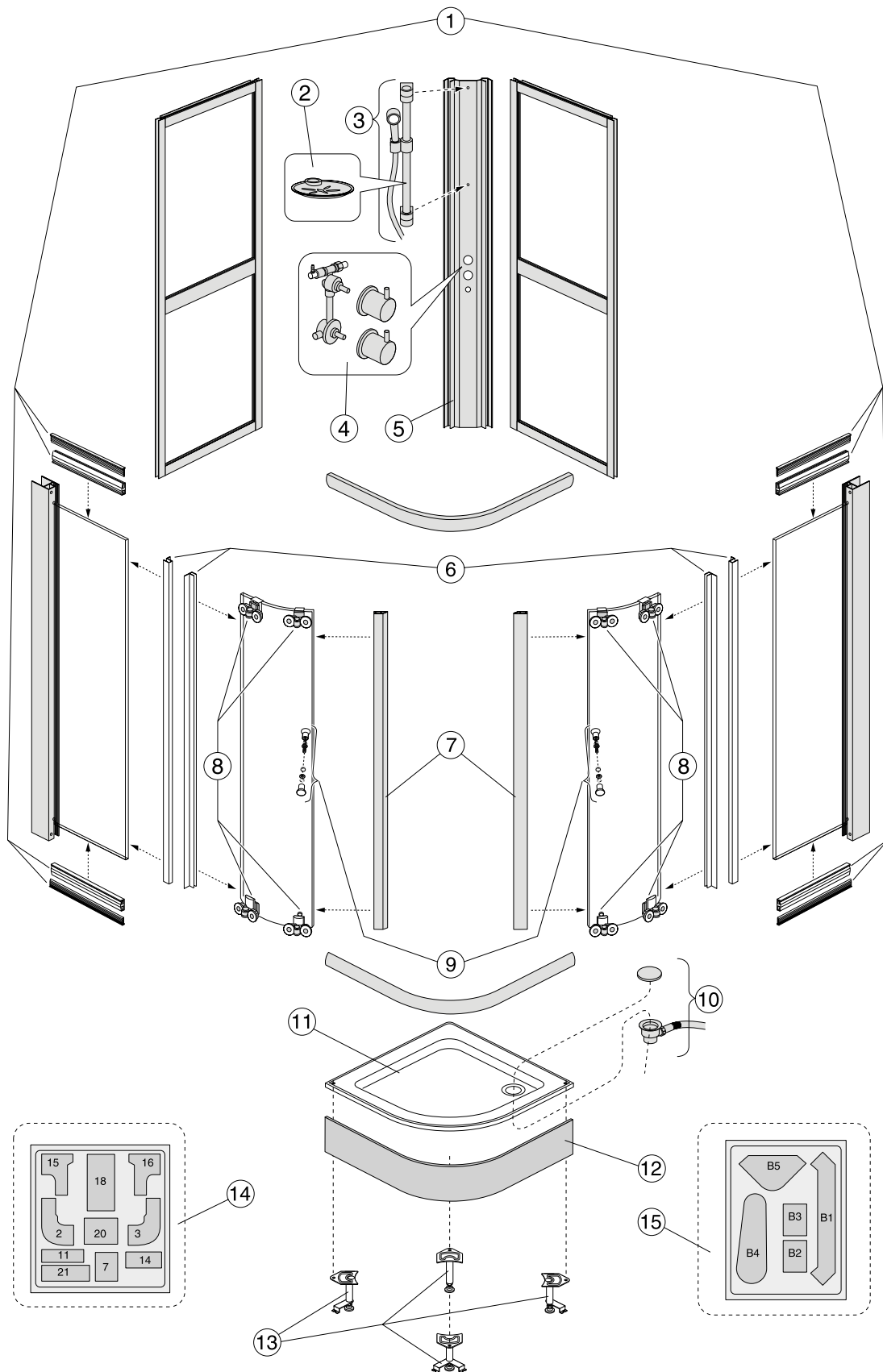
DETALJENUMMER OG PRODUKT	ART. NR.	VEIL. PRIS EKS. MVA.	VEIL. PRIS INKL. MVA.
1 Magnetlister, 2009-	UPGUMAGSP	247	309
2 Dørhåndtak, 2009-	UDWDOORKNOBW-61	182	228
3 Monteringsdetaljer for dørrprofil, 2009-	UPGUTHJ	247	309
4 Veggprofil, 2009-	UPGUFY-011	194	243
5 Tetningslist komplett, 2009-	UPGUSWD-8	247	309
6 Tetningslist ekstra høy, 2009-	UPGUSWD-8-L	247	309
7 Sokkel, 2009-	UPGUALPALCV	481	601
8 Monteringdetaljer, 2009-	UPGUINSKALC	247	309



RESERVEDELER

NACC dusjkabinett

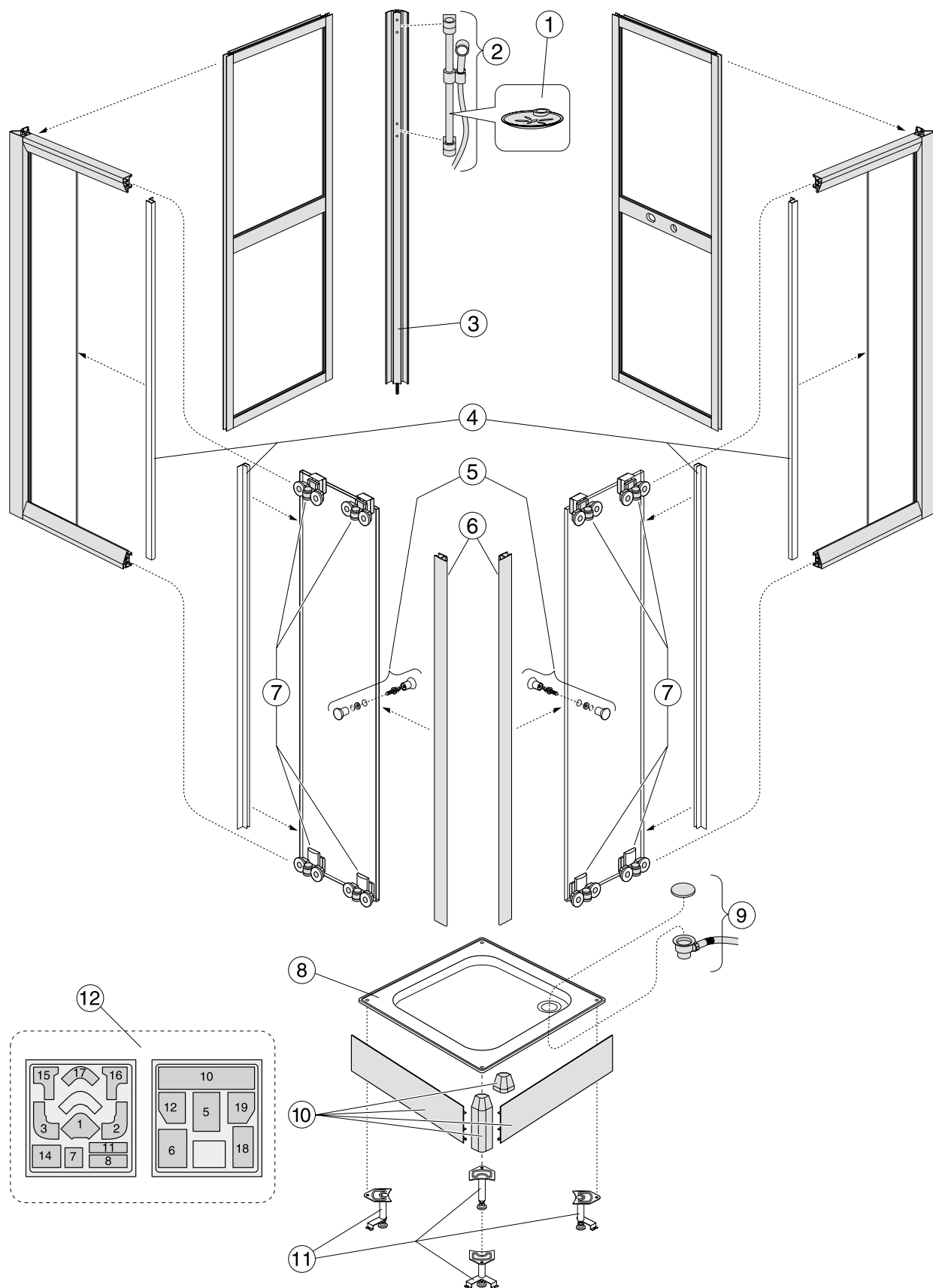
DETALJENUMMER OG PRODUKT	NRF. NR.	ART. NR.	VEIL. PRIS EKS. MVA.	VEIL. PRIS INKL. MVA.
Med blande batteri, år 2010-				
2 Dusjsett	4342628	GB41104053 00	778	973
3 Blandebatteri		UCTAP0259	828	1.035
5 Tetningslister		UPGUCURSP	241	301
6 Dørhåndtak		UDWDOORKNOBW-61	182	228
7 Magnetlister		UPGUED01020	247	309
8 Trinser		UPGUWH-6-61/2	182	228
9 Dusjkar	6318325	UDL0905NOA1W-01	1.510	1.888
10 Avløpssett		UPGUGHD	84	105
Frontpanel, krom		UPGUPCC90-61	935	1.169
11 Frontpanel, hvit		UPGUPCC90-01	935	1.169
12 Fotsats		UPGUTFS	160	200
Monteringsdetaljer, krom		UPGUINSKCU-61	247	309
13 Monteringsdetaljer, hvit		UPGUINSKCU-01	247	309
Monteringsdetaljer, krom		UPGUINSKBW-61	247	309
14 Monteringsdetaljer, hvit		UPGUINSKBW-01	247	309



RESERVEDELER

NACQ halvrundt hjørnekabinett

DETALJENUMMER OG PRODUKT	NRF. NR.	ART. NR.	VEIL. PRIS EKS. MVA.	VEIL. PRIS INKL. MVA.
Med blandebatteri, år 2010-				
1 Tetningslister		UPGUED03030	247	309
3 Dusjsett II	4342628	GB41104053 00	778	973
4 Blandebatteri		UCTAP0259	828	1.035
6 Tetningslister		UPGURSPG-6	247	309
7 Magnetlister		UPGUED01020	247	309
8 Trinser		UPGUWH-6-61/2	182	228
9 Dørhåndtak		UDWDOORKNOBW-61	182	228
10 Avløpssett		UPGUGHD	84	105
11 Dusjkar	6318325	UDL0905NAC4W-01	1.760	2.200
Frontpanel, krom		UPGUBP90-61	935	1.169
12 Frontpanel, hvit		UPGUBP90-01	935	1.169
13 Fotsats		UPGUTFQ	160	200
Monteringsdetaljer, krom		UPGUINSKLQ-61	247	309
14 Monteringsdetaljer, hvit		UPGUINSKLQ-01	247	309
Monteringsdetaljer, krom		UPGUINSKBW-61	247	309
15 Monteringsdetaljer, hvit		UPGUINSKBW-01	247	309



RESERVEDELER

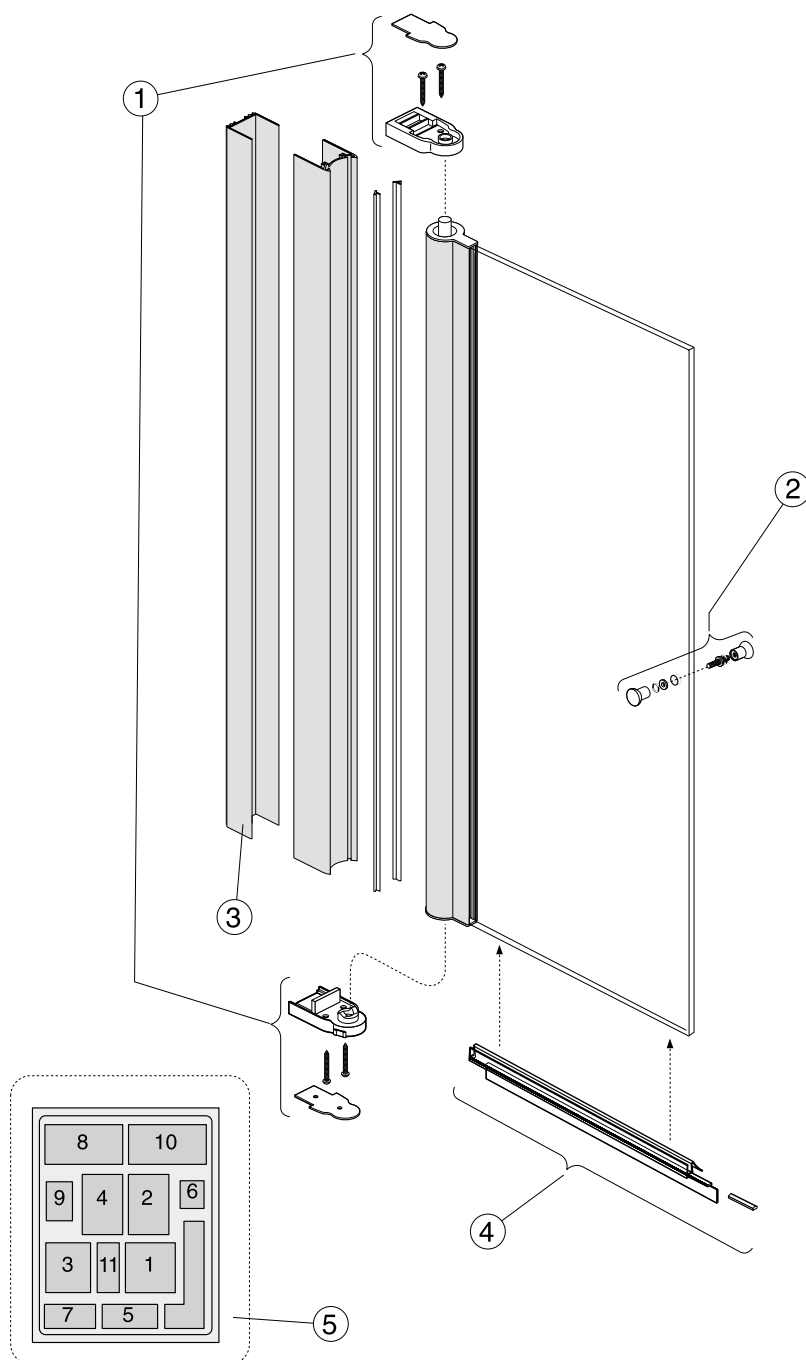


NCC og NOC firkantet hjørnekabinett

DETALJENUMMER OG PRODUKT	NRF. NR.	ART. NR.	VEIL. PRIS EKS. MVA.	VEIL. PRIS INKL. MVA.
2 Dusjsett	4342628	GB41104053 00	778	973
3 Hjørnestolpe, krom		UPGUYDG262-69-61	269	336
Hjørnestolpe, hvit		UPGUYDG262-69-01	269	336
4 Tetningslister		UPGUCURSP	182	228
5 Dørhåndtak		UDWDOORKNOBW-61	182	228
6 Magnetlister		UPGUED01020	247	309
7 Trinser		UPGUWH-6-61/2	182	228
9 Avløpssett		UPGUGHD	84	105
10 Frontpanel, krom		UPGUPCC90-61	935	1.169
Frontpanel, hvit		UPGUPCC80-01	935	1.169
11 Fotsats		UPGUBG-SF-3	160	200
Monteringsdetaljer, krom		UPGUINSKCU-61	247	309
12 Monteringsdetaljer, hvit		UPGUINSKCU-01	247	309

LB badekarvegg

DETALJENUMMER OG PRODUKT	ART. NR.	VEIL. PRIS EKS. MVA.	VEIL. PRIS INKL. MVA.
1 Monteringsdetaljer f/dør UPGUTHWF7201	UPGUTHWF7201	143	179
2 Dørhåndtak	UDWDOORKNOB2W-61	182	228
3 Veggprofil	UPGUDS249	194	243
4 Sokkel	UPGUWDWF7201	481	601
5 Monteringsdetaljer	UPGUINWF7201	247	309



RESERVEDELER



Reserveleder - Dusjkabinett RCCN, Halvrund hjørnedusj QCN og Firkantet hjørnedusj CSN

Dusjkabinett RCCN

DETALJENUMMER OG PRODUKT	ART. NR.	VEIL. PRIS EKS. MVA.	VEIL. PRIS INKL. MVA.
Hjulsett 4 stk	UCSPM0004-01	172	215
Monteringssett	UCSPM0022-01	49	61
Pakningssett	UCSPM0066	49	61
Silikonlist	UCSPM0077	357	446
Dusjgarnityr for RCCN kabinett	GB35000001	484	605
Såpekopp	UCSPM0079	37	46
Hårsil	GB1929901690	37	46
Panel 80 cm, pr. stk.	UCSPM0089	260	325

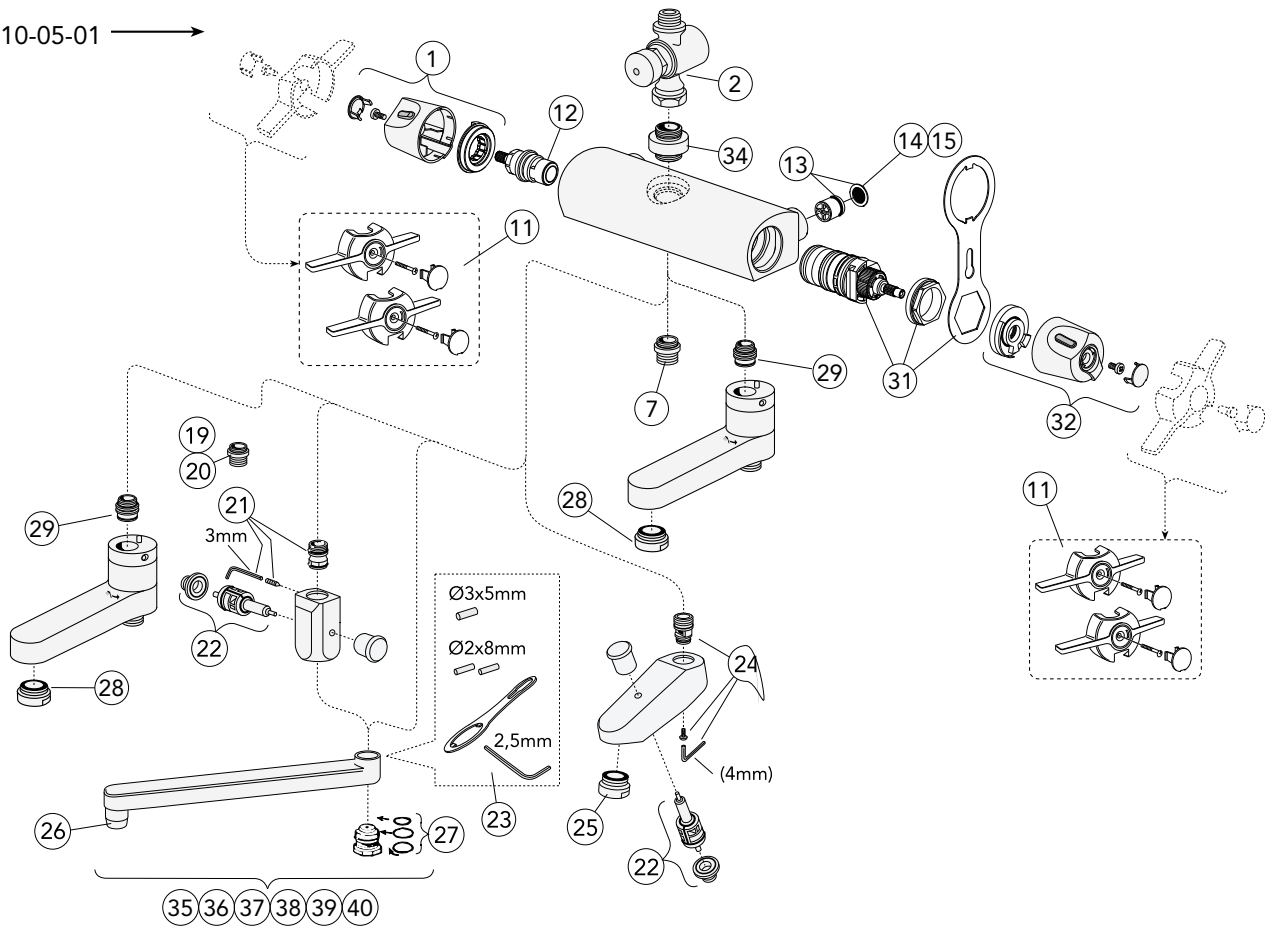
Halvrund hjørnedusj QCN

DETALJENUMMER OG PRODUKT	ART. NR.	VEIL. PRIS EKS. MVA.	VEIL. PRIS INKL. MVA.
Fra 2005 justerbare trinser			
sett 2 stk	U900030247-QS	321	401
Fram til 2005 doble trinser			
sett, 4 stk	UCDOR0880-01	374	468
Monteringssett 1, komplett, alum.	UCSPM0021-00	112	140
Monteringssett 1, komplett, hvit	UCSPM0021-01	112	140
Monteringssett 2, komplett, hvit	UCSPM0022-01	49	61
Pakningssett 6 komplett	UCSPM0052	292	365

Firkantet hjørnedusj CSN

DETALJENUMMER OG PRODUKT	ART. NR.	VEIL. PRIS EKS. MVA.	VEIL. PRIS INKL. MVA.
Hjulsett av 4 stk	UCSPM0004-01	172	215
Monteringssett 1, komplett, alum.	UCSPM0021-00	112	140
Monteringssett 1, komplett, hvit	UCSPM0021-01	112	140
Monteringssett 2, komplett, hvit	UCSPM0022-01	49	61
Pakningssett 6 komplett	UCSPM0052	292	365

2010-05-01 →

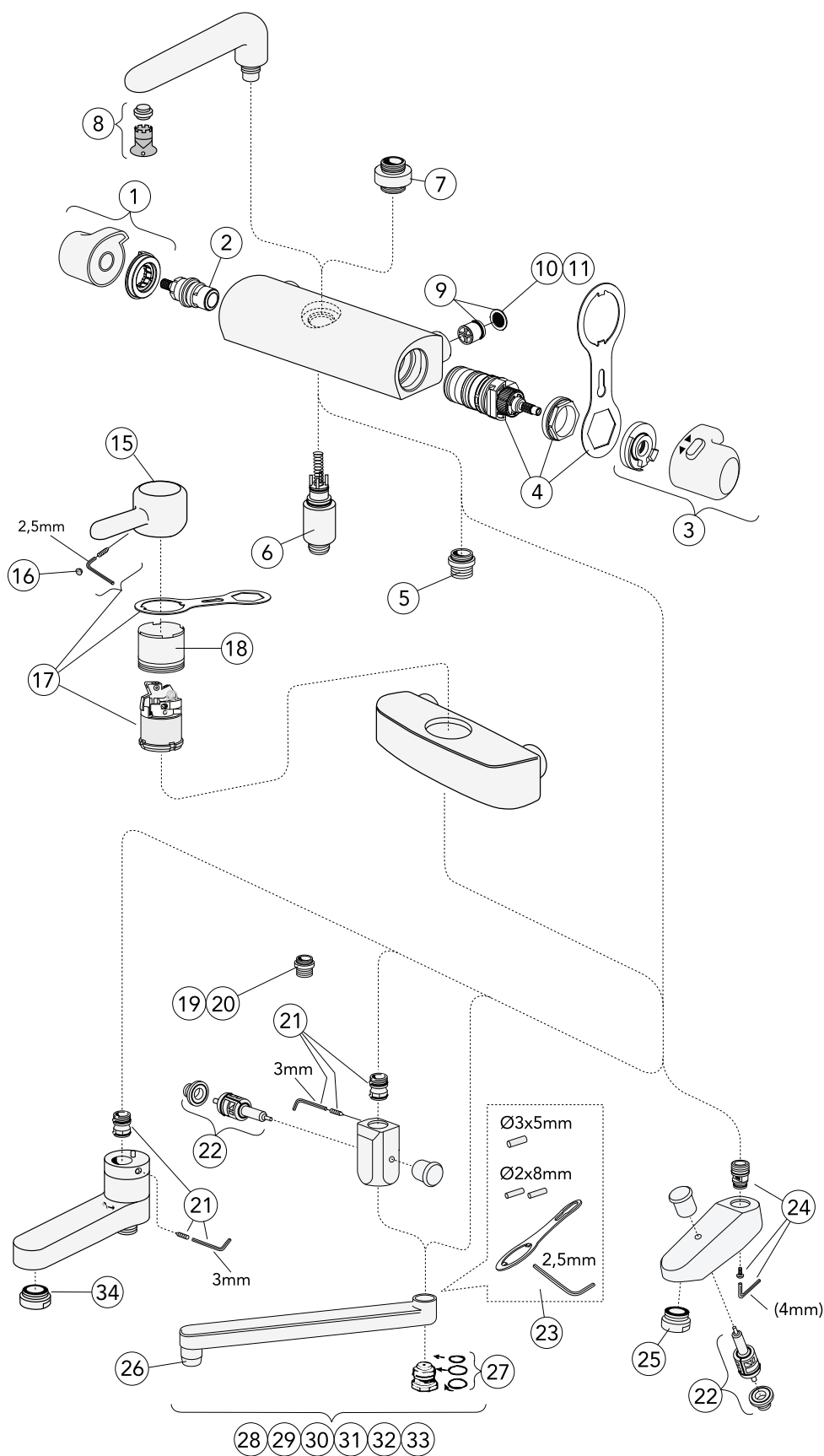


RESERVEDELER



Nautic termostatbatterier

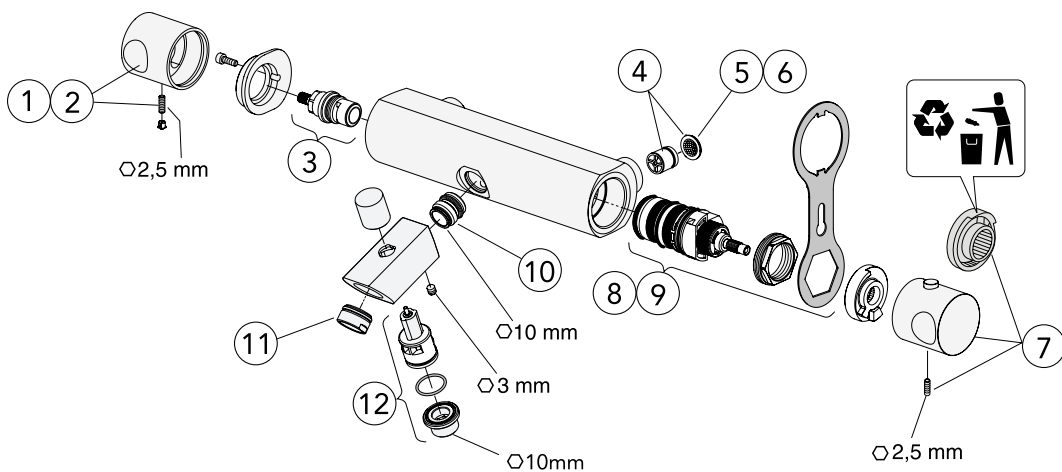
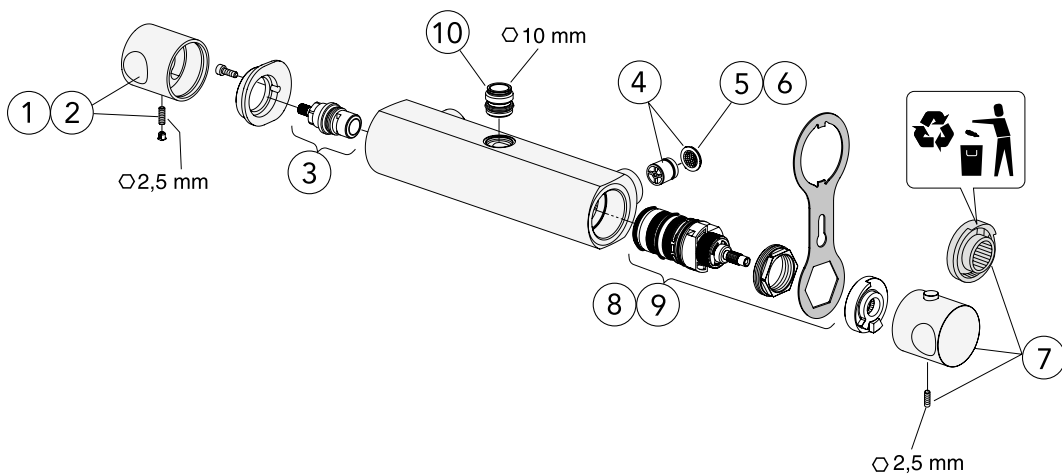
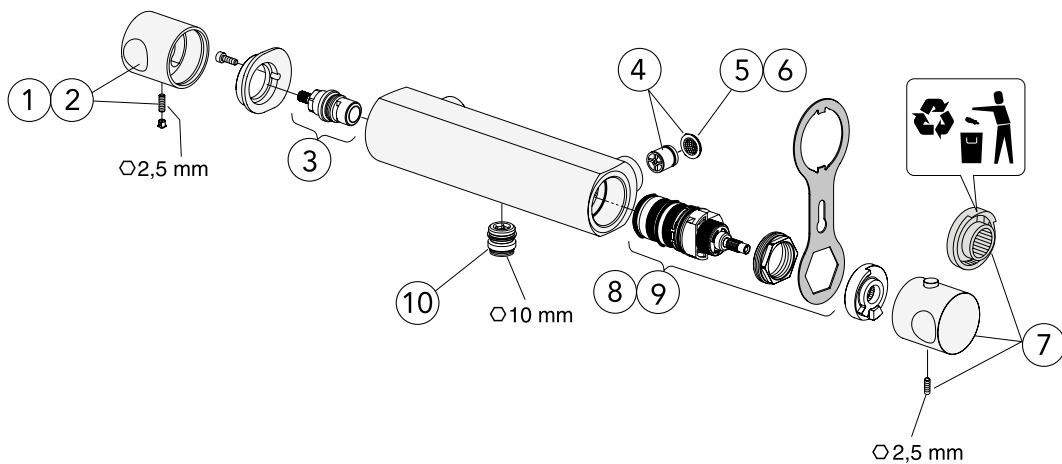
DETALJENUMMER OG PRODUKT	NRF. NR.	ART. NR.	VEIL. PRIS EKS. MVA.	VEIL. PRIS INKL. MVA.
1 Ratt for mengdeside	4342635	GB41637804 01	99	124
2 Tidsinnstilt trykkventil		GB41631830	4.309	5.386
6 Tilkoblingsnippel med tilbakeslagsventil G1/2-G1/2	4341952	GB41632814 02	115	144
7 Tilkopplingsnippel M20x1,5-G1/2 for dusjslange	4341962	GB41634757 01	115	144
11 HC spak for mengde/temperatursiden	4342637	GB41637840 02	157	196
12 Ventiloverstykke	4343314	GB41634035 01	115	144
13 Tilbakeslagsventil med filter	4343096	GB41632698 02	123	154
14 Filter for tilbakeslagsventil	4343065	GB41635633 02	42	53
19 Tilkopplingsnippel G1/2-M20x1,5	4341962	GB41634757 01	115	144
20 Tilkopplingsnippel med tilbakeslagsventil G1/2-M20x1,5	4343363	GB41634756 01	115	144
21 Tilkoblingsnippel for omkastere	4343362	GB41636359 01	45	56
22 Draomkastere	4341963	GB41636577 01	212	265
23 Detaljer for slagbegrensning tut	4342754	GB41633972	46	58
24 Tilkoblingsnippel for utløpstut	4343368	GB41637347	115	144
25 Strålesamlere M28x1, krom	4343123	GB41634555 01	271	339
26 Strålesamlere M24x1 B	4343241	GB41630131 01	80	100
27 O-ringsats for utløpstut	4342755	GB41633952 01	47	59
28 Strålesamlere M24x1 D	4342717	GB41637387 01	271	339
29 Tilkoblingsnippel for omkastere	4343362	GB41636359 01	45	56
31 Termostatinnsats (CA77N)	4342726	GB41638334 01	348	435
32 Ratt for temperatursiden (CA77N)	4341957	GB41638336 01	45	56
33 Tilkopplingsnippel G1/2xG1/2	4341958	GB41632815	115	144
34 Tilkopplingsnippel G1/2-G1/2	4341959	GB41638339 01	45	56
35 Svingbar utløpstut 85 mm	4342879	GB41633631	392	490
36 Svingbar utløpstut 150mm	4342877	GB41633632	392	490
37 Svingbar utløpstut 200mm	4342878	GB41633633	522	653
38 Svingbar utløpstut 250mm	4342868	GB41633614	541	676
39 Svingbar utløpstut 350mm	4342625	GB41633616	691	864
40 Svingbar utløpstut 400mm	4342626	GB41633624	722	903
Temperaturatt	4342636	GB41637810 01	99	124





Logic termostat/ettgrepsbatteri

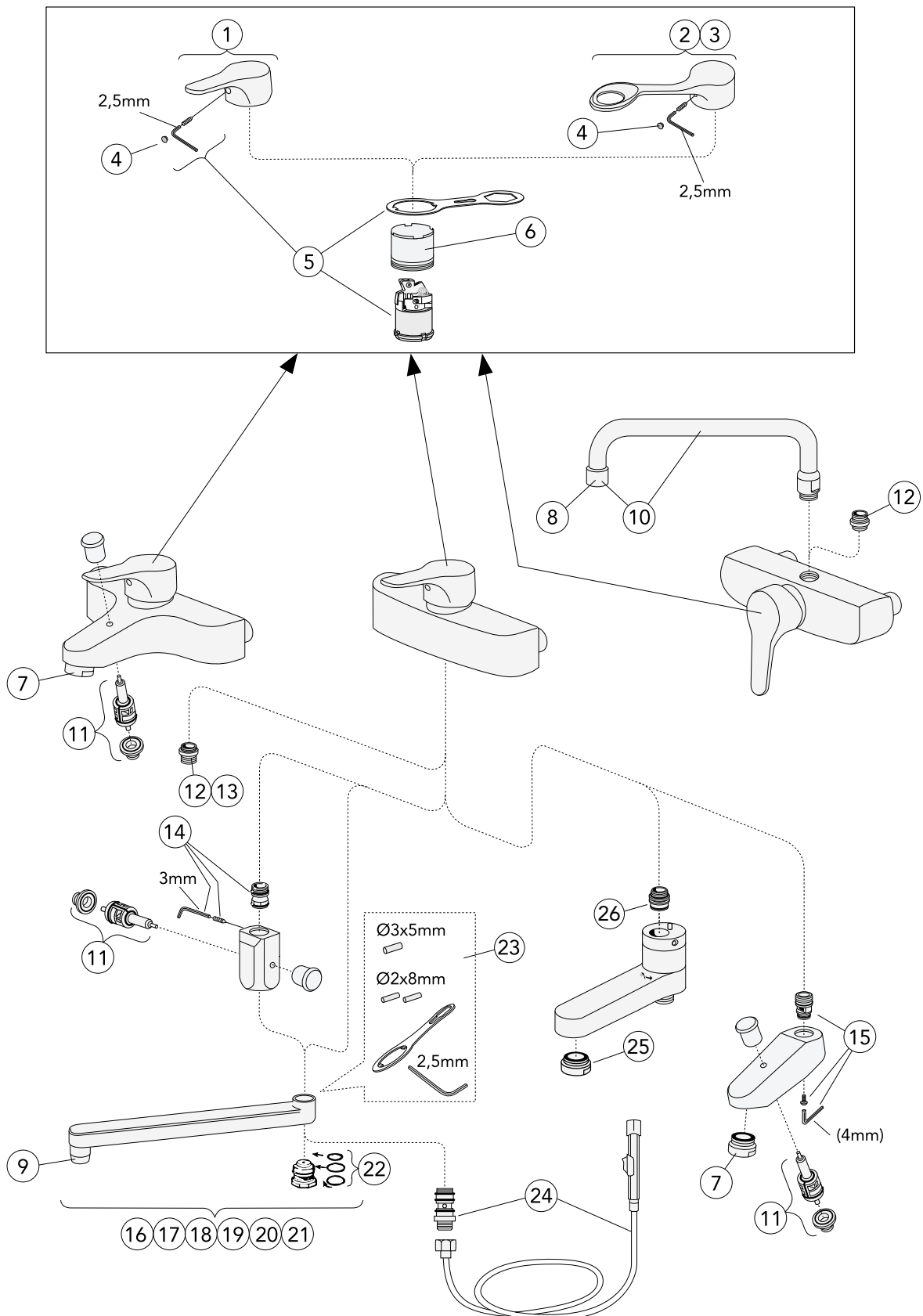
DETALJENUMMER OG PRODUKT	NRF. NR.	ART. NR.	VEIL. PRIS EKS. MVA.	VEIL. PRIS INKL. MVA.
1 Ratt for mengdeside	4342785	GB41638530 01	98	123
2 Ventiloverstykke		GB41638529 01	115	144
3 Ratt for temperaturside	4342786	GB41638525 01	98	123
4 Termostatinnsett for dusjslange	4342726	GB41638334 01	348	435
5 Tilkoblingsnippel M20x1,5-G1/2	4341962	GB41634757 01	115	144
6 Omkaster	4342787	GB41638545 01	212	265
7 Tilkoblingsnippel G1/2xG1/2	4341959	GB41638339 01	45	56
8 Strålesamler, Cache-CC-STDM24x1 "D"	4342788	GB41638542 01	270	338
9 Tilbakeslagsventil med filter	4343096	GB41632698 02	123	154
10 Filter for tilbakeslagsventil	4343065	GB41635633 02	42	53
15 Ettgrepspak Logic	4342766	GB41638514 01	228	285
16 Dekkplugg rød/blå merking	4342661	GB41634828 01	98	123
17 Servicepatron Logic/Nautic	4343367	GB41637267 01	380	475
18 Låsring M45x1,5	4342753	GB41637261 01	109	136
19 Tilkoblingsnippel G1/2-M20x1,5	4341962	GB41634757 01	115	144
20 Tilkoblingsnippel m/tilbakeslagsventil G1/2-M20x1,5	4343363	GB41634756 01	115	144
21 Tilkoblingsnippel for omkaster	4343362	GB41636359 01	45	56
22 Draomkaster	4341963	GB41636577 01	212	265
23 Detaljer for slagbegrensning tut	4342754	GB41633972	46	58
24 Tilkoblingsnippel for utløpstut	4343368	GB41637347	115	144
25 Strålesamler M28x1, krom	4343123	GB41634555 01	271	339
26 Strålesamler M24x1	4343241	GB41630131 01	80	100
27 O-ring for utløpstut	4342755	GB41633952 01	47	59
28 Svingbar utløpstut 85 mm	4342879	GB41633631	392	490
29 Svingbar utløpstut 150 mm	4342877	GB41633632	392	490
30 Svingbar utløpstut 200 mm	4342878	GB41633633	522	653
31 Svingbar utløpstut 250 mm	4342868	GB41633614	541	676
32 Svingbar utløpstut 350 mm	4342625	GB41633616	691	864
33 Svingbar utløpstut 400 mm	4342626	GB41633624	722	903
34 Strålesamler M24x1 D	4342717	GB41637387 01	271	339





Coloric termostatbatterier

DETALJENUMMER OG PRODUKT	NRF. NR.	ART. NR.	VEIL. PRIS EKS. MVA.	VEIL. PRIS INKL. MVA.
1 Ratt for mengdesiden -2010.09	4342779	GB41638281 01	443	554
2 Ratt for mengdesiden 2010.09-	4342684	GB41636465 01	663	829
3 Ventiloverstykke	4342782	GB41638283 01	114	143
4 Bakventil med filter	4343096	GB41632698 02	123	154
5 Filter for bakventil	4343065	GB41635633 02	42	53
7 Ratt for temperatursiden	4342685	GB41636460 01	663	829
8 Termostatinnsats -2010.09	4342783	GB41638287 01	348	435
9 Termostatinnsats (CA77N) 2010.09-	4342726	GB41638334 01	348	435
10 Tilkoplingnippel M20x1,5-G1/2	4342723	GB41637410	114	143
11 Strålesamler M24x1	4342717	GB41637387 01	271	339
12 Draomkaster	4342725	GB41637416	295	369

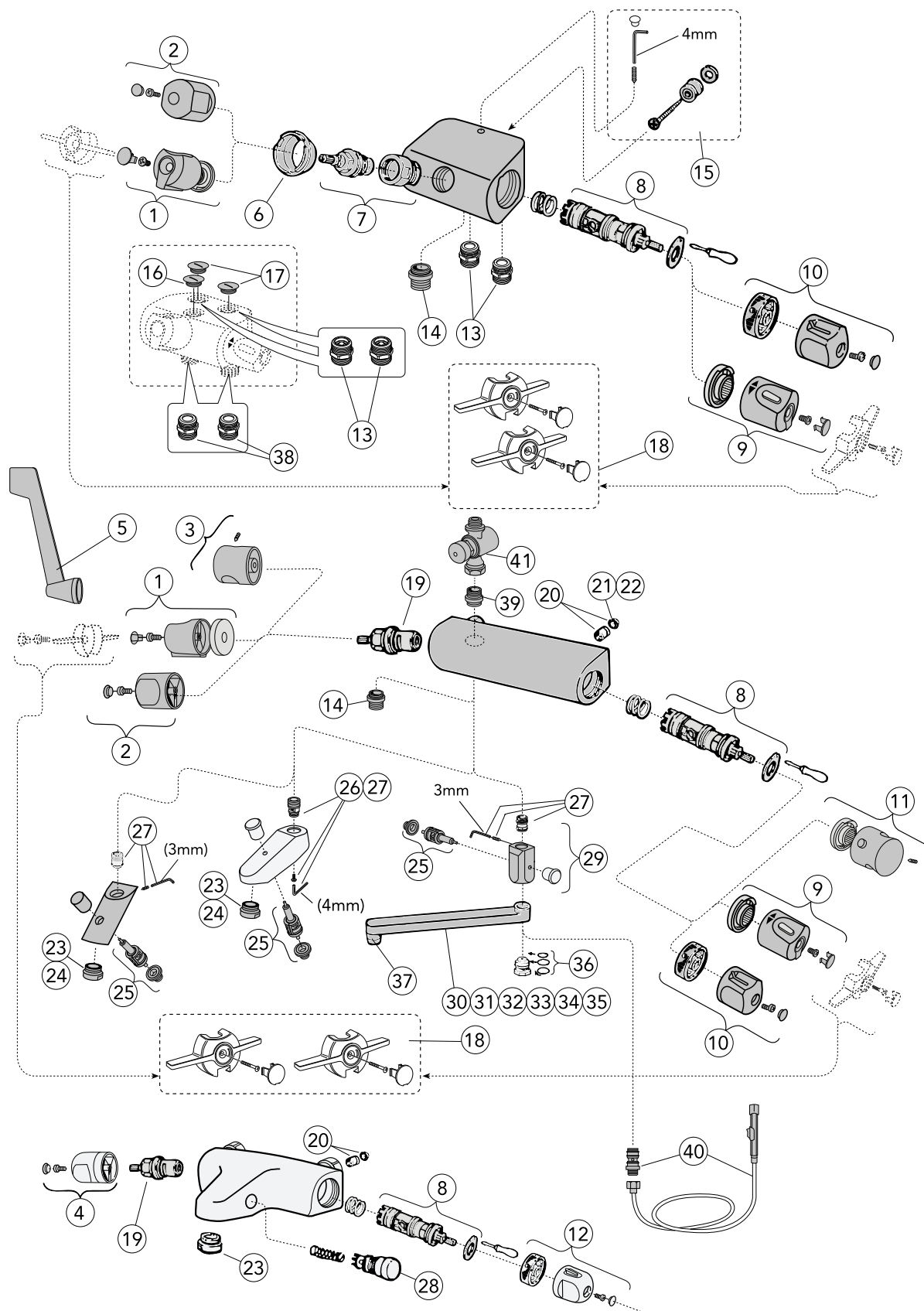


RESERVEDELER



Nautic dusj- og badekarsbatterier

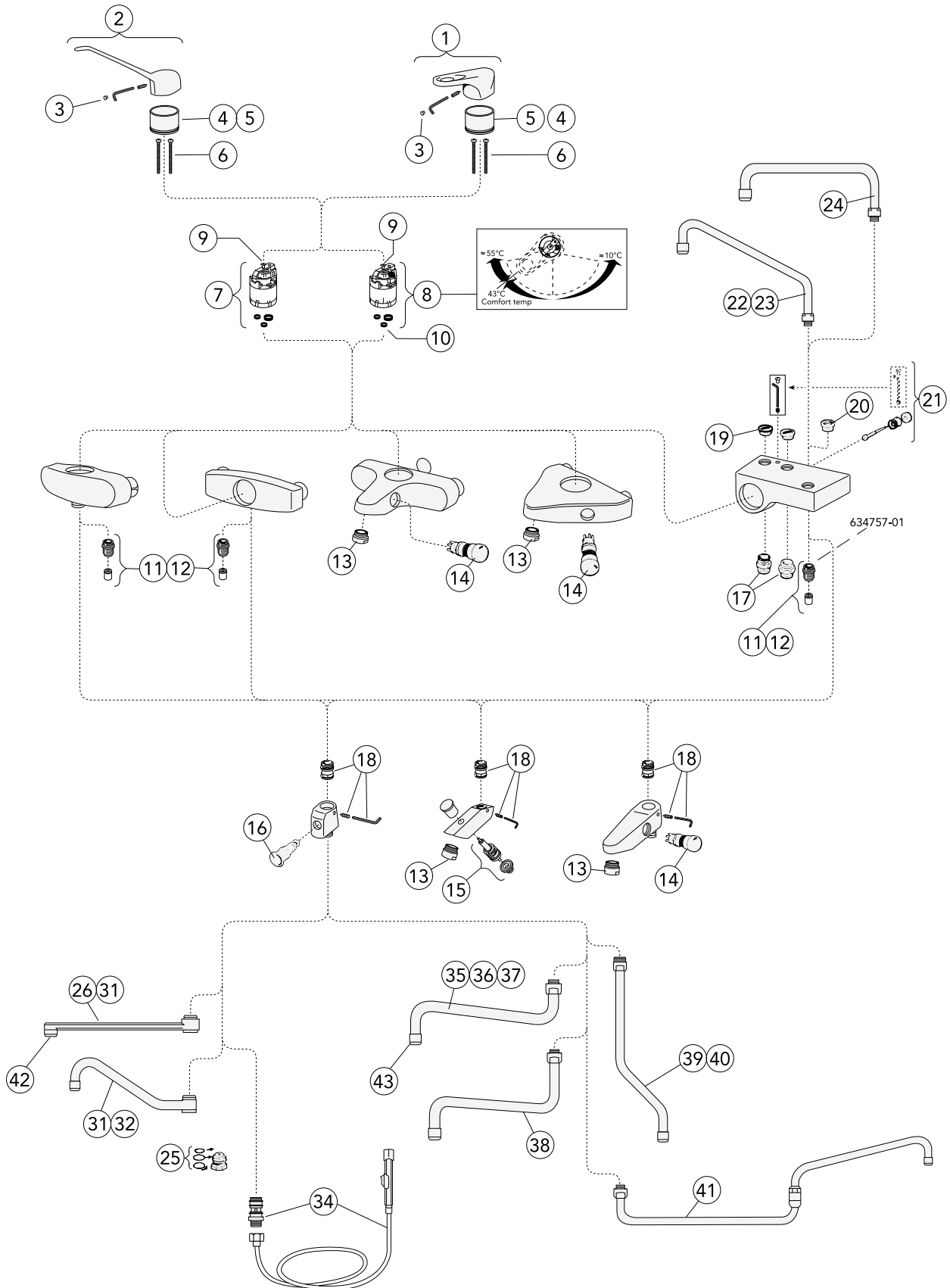
DETALJENUMMER OG PRODUKT	NRF. NR.	ART. NR.	VEIL. PRIS EKS. MVA.	VEIL. PRIS INKL. MVA.
1 Ettgreppspak Nautic	4343366	GB41637250	214	268
2 Ettgreppspak HC Nautic		GB41637360 01	308	385
3 Ettgreppspak HC Nautic (Rød/blå markering)	4342627	GB41637363 01	320	400
4 Dekkplugg Rød/blå merking	4342661	GB41634828 01	98	123
5 Servicepatron m/verktøy Nautic/Logic	4343367	GB41637267 01	380	475
6 Låsring M45x1,5	4342753	GB41637261 01	109	136
7 Strålesamlere M28x1	4343123	GB41634555 01	271	339
8 Strålesamlere M22x1	4343242	GB41630129 01	80	100
9 Strålesamlere M24x1	4343241	GB41630131 01	80	100
10 Utløpstut 250	4342624	GB41630184	541	676
11 Draomkaster	4341963	GB41636577 01	212	265
12 Tilkoplingsnippel G1/2-M20x1,5	4341962	GB41634757 01	115	144
13 Tilkobl.nippel m/tilb.sl.ventil f/dusjslange G1/2-M20x1,5	4343363	GB41634756 01	115	144
14 Tilkoplingsnippel for omkastere	4343362	GB41636359 01	45	56
15 Tilkoplingsnippel for badekartut	4343368	GB41637347	115	144
16 Svingbar utløpstut 85 mm	4342879	GB41633631	392	490
17 Svingbar utløpstut 150 mm	4342877	GB41633632	392	490
18 Svingbar utløpstut 200 mm	4342878	GB41633633	522	653
19 Svingbar utløpstut 250 mm	4342868	GB41633614	541	676
20 Svingbar utløpstut 350 mm	4342625	GB41633616	691	864
21 Svingbar utløpstut 400 mm	4342626	GB41633624	722	903
22 O-ringsats for utløpstut	4342755	GB41633952 01	47	59
23 Detaljer for slagbegrensning tut	4342754	GB41633972	46	58
24 Hånddusj for veggmonterte blandebatterier m/slange	4343335	GB41634210	682	853
25 Strålesamler M24x1 D	4342717	GB41637387 01	271	339
26 Tilkoblingsnippel M20x1,5	4343362	GB41636359 01	45	56





Nordic, Nautic og Skandic termostatbatterier

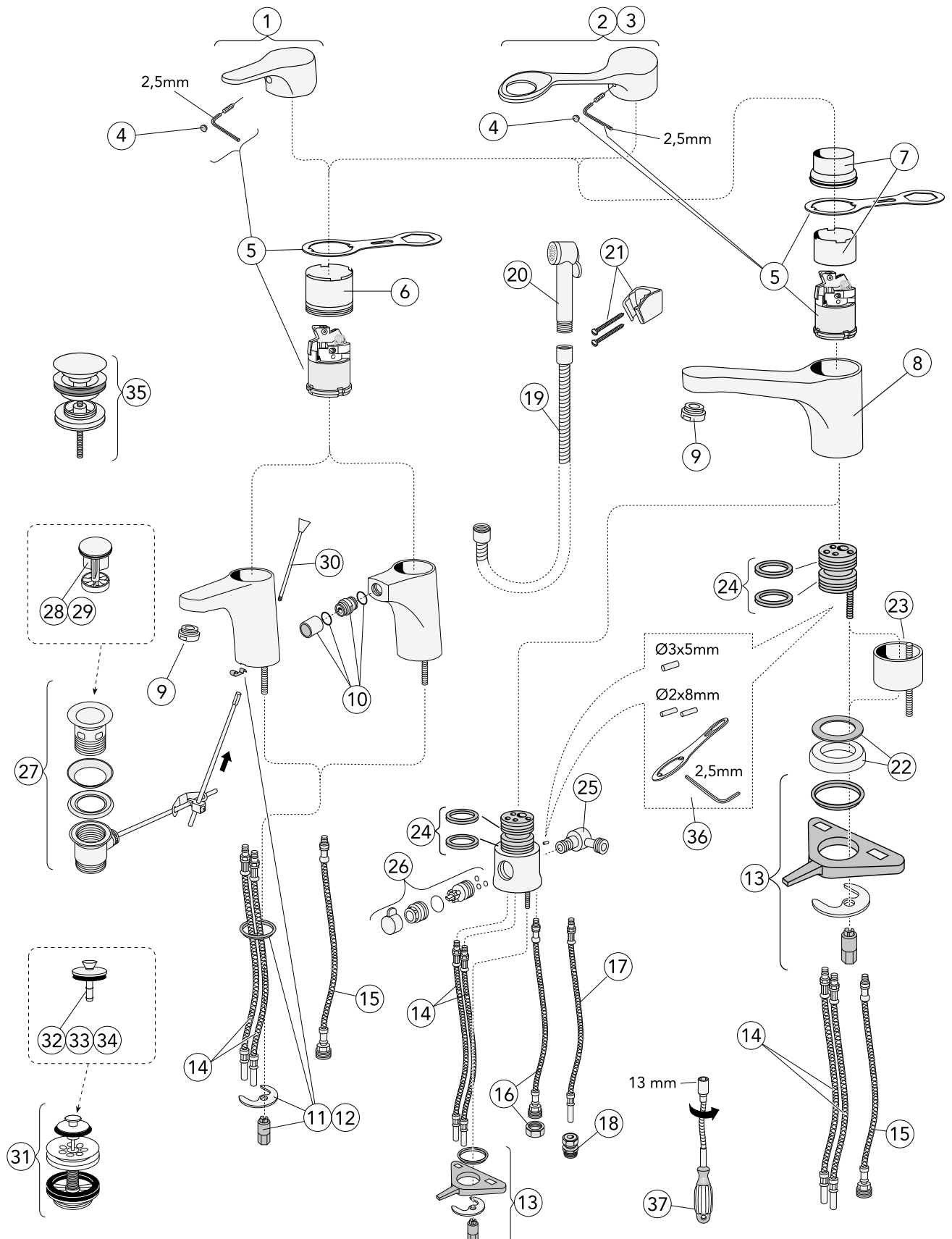
DETALJENUMMER OG PRODUKT	NRF. NR.	ART. NR.	VEIL. PRIS EKS. MVA.	VEIL. PRIS INKL. MVA.
1 Ratt for mengdesiden Nautic	4342635	GB41637804 01	99	124
2 Ratt for mengdsiden Nordic	4343061	GB41636479 01	99	124
3 Ratt for mengdsiden Skandic 03	4342684	GB41636465 01	663	829
4 Ratt for mengdsiden Skandic	4343294	GB41634768 01	116	145
8 Termostatinnsats	4343295	GB41634045 01	398	498
9 Ratt for temperatursiden Nautic (gammel)	4342636	GB41637810 01	99	124
10 Ratt for temperatursiden Nordic	4343062	GB41636480 01	101	126
11 Ratt for temperatursiden Skandic 03	4342685	GB41636460 01	663	829
12 Ratt for temperatursiden Skandic	4343292	GB41634769 01	109	136
13 Tilkoblingsnippel med tilbakeslagsventil G1/2-G1/2	4341952	GB41632814 02	115	144
14 Utløpsnippel M20x1,5-G1/2	4341962	GB41634757 01	115	144
18 HC spak for mengde/temperatursiden	4342637	GB41637840 02	157	196
19 Kompl. overdel f/mengdeside	4343314	GB41634035 01	115	144
20 Tilbakeslagsventil med filter	4343096	GB41632698 02	123	154
21 Filter for tilbakeslagsventil	4343065	GB41635633 02	42	53
23 Strålesamler M28x1, krom	4343123	GB41634555 01	271	339
24 Strålesamler M28x1, grå	4342692	GB41634078 01	274	343
25 Draomkaster	4341963	GB41636577 01	212	265
26 Tilkoblingsnippelsnippel 20x1,5 2007 10-	4343368	GB41637347	115	144
27 Tilkoblingsnippelsnippel M20x1,5 -2007 10	4343362	GB41636359 01	45	56
28 Omkaster	4343124	GB41634799 0001	148	185
29 Omkaster	4342634	GB41637315	566	708
30 Svingbar utløpstut 85 mm	4342879	GB41633631	392	490
31 Svingbar utløpstut 150 mm	4342877	GB41633632	392	490
32 Svingbar utløpstut 200 mm	4342878	GB41633633	522	653
33 Svingbar utløpstut 250 mm	4342868	GB41633614	541	676
34 Svingbar utløpstut 350 mm	4342625	GB41633616	691	864
35 Svingbar utløpstut 400 mm	4342626	GB41633624	722	903
36 O-ringsats for utløpstut	4342755	GB41633952 01	47	59
37 Strålsamlere M24x1	4343241	GB41630131 01	80	100
38 Tilkoblingsnippel G1/2xG1/2	4341958	GB41632815	115	144
39 Utløpsnippel G1/2xG1/2	4341959	GB41638339 01	45	56
40 Hånddusj for veggmonterte blandebatterier m/slange	4343335	GB41634210	682	853
41 Tidsinnstilt trykkventil (Presto)		GB41631830	4.309	5.386





Nordic vegg batterier

DETALJENUMMER OG PRODUKT	NRF. NR.	ART. NR.	VEIL. PRIS EKS. MVA.	VEIL. PRIS INKL. MVA.
1 Ettgrepspak Nordic	4343347	GB41636617 01	158	198
2 Ettgrepspak RH Nordic	4342991	GB41635430 01	308	385
3 Dekkkplugg rød/blå merking	4342661	GB41634828 01	98	123
4 Kåpe gjenget	4343166	GB41634470 01	109	136
5 Kåpe med O-ring	4343126	GB41636326 01	112	140
6 Skrue M5x40	4343216	GB41632731 02	46	58
7 Servicepatron inkl. topplokk(634955-01)	4343196	GB41633877 01	450	563
8 Servicepatron TT-funksjon	4343059	GB41635678 8701	441	551
10 Gummipakning f/servicepatron	4343211	GB41633513 01	57	71
11 Tilkoplingsnippel G1/2-M20x1,5	4341962	GB41634757 01	115	144
12 Tilkoplingsnippel med backventil G1/2-M20x1,5	4343363	GB41634756 01	115	144
13 Strålsamlere M28x1	4343123	GB41634555 01	271	339
14 Omkastere	4343124	GB41634799 0001	148	185
15 Draomkastere	4341963	GB41636577 01	212	265
16 Draomkastere		GB41635175 01	212	265
18 Tilkoplingsnippel for omkastere	4343362	GB41636359 01	45	56
25 O-ringsats for utløpstut	4342755	GB41633952 01	47	59
26 Svingbar utløpstut 85 mm	4342879	GB41633631	392	490
27 Svingbar utløpstut 150 mm	4342877	GB41633632	392	490
28 Svingbar utløpstut 200 mm	4342878	GB41633633	522	653
29 Svingbar utløpstut 250 mm	4342868	GB41633614	541	676
30 Svingbar utløpstut 350 mm	4342625	GB41633616	691	864
31 Svingbar utløpstut 400 mm	4342626	GB41633624	722	903
32 Svingbar utløpstut 250 mm		GB41633644	388	485
33 Svingbar utløpstut 410 mm		GB41633646	623	779
34 Håndduj for veggmonterte blandedbatterier	4343335	GB41634210	682	853
35 Svingbar utløpstut 150 mm	4342815	GB41630191	293	366
36 Svingbar utløpstut 250 mm	4342819	GB41630194	397	496
37 Svingbar utløpstut 350 mm	4342975	GB41630197	320	400
38 Svingbar utløpstut 250 mm	4342977	GB41630196	320	400
39 Fast utløpstut 250 mm		GB41632555	377	471
41 Svingbar utløpstut 945 mm	4342811	GB41630151	1.505	1.881
42 Strålesamlere M24x1	4343241	GB41630131 01	80	100
43 Strålesamlere M22x1	4343242	GB41630129 01	80	100
Strålesamlere M24x1		GB41630131 01	80	100

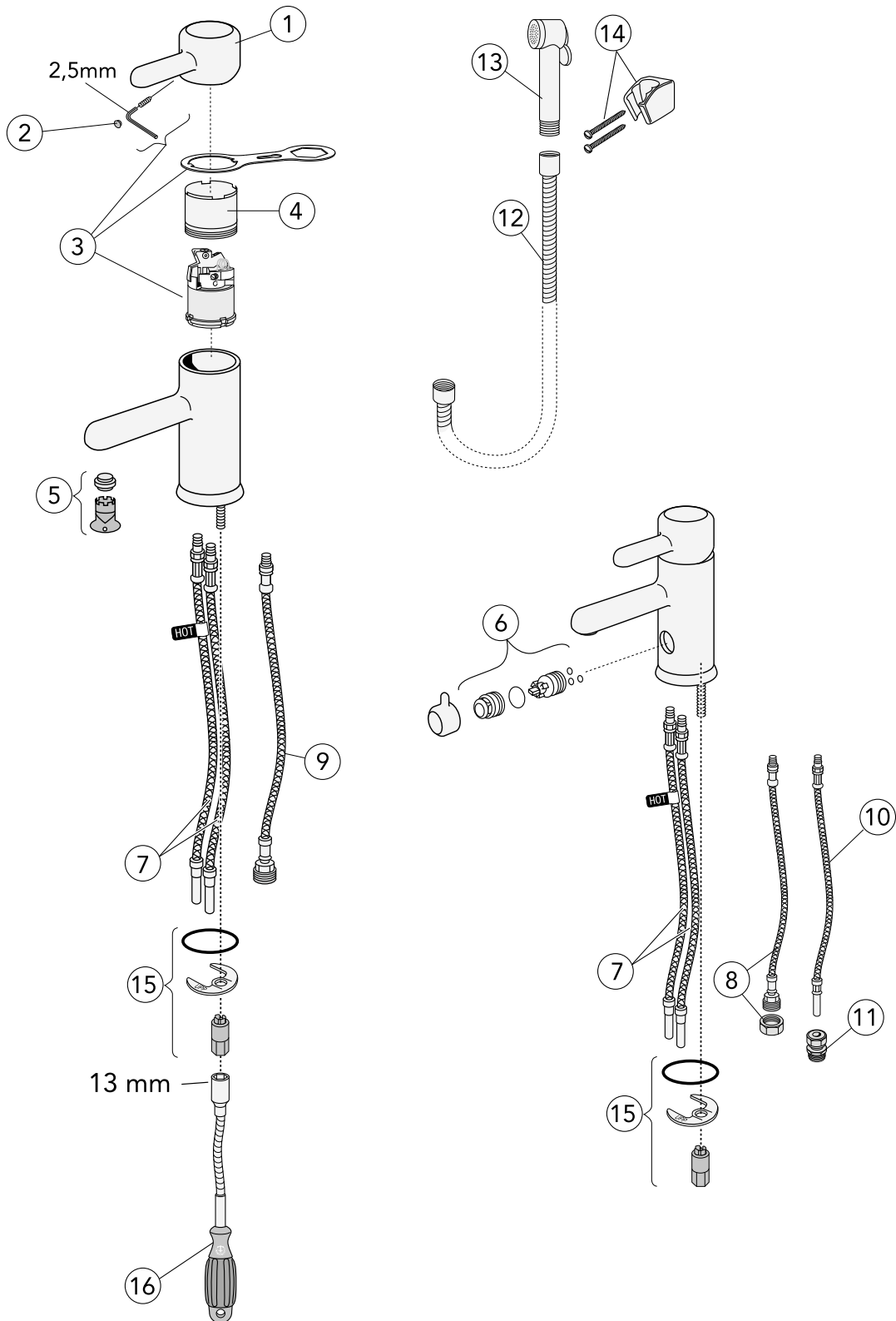


RESERVEDELER



Nautic servant- og bidekraner

DETALJENUMMER OG PRODUKT	NRF. NR.	ART. NR.	VEIL. PRIS EKS. MVA.	VEIL. PRIS INKL. MVA.
1 Ettgrepspak Nautic	4343366	GB41637250	214	268
2 Ettgrepspak HC Nautic	4342627	GB41637360 01	308	385
3 Ettgrepspak HC Nautic (Rød/blå merking)		GB41637363 01	320	400
4 Dekkplugg rød/blå merking	4342661	GB41634828 01	98	123
5 Servicpatron m/verktøy Nautic/Logic	4343367	GB41637267 01	380	475
6 Låsering M45x1,5	4342753	GB41637261 01	109	136
7 Låsering kjøkken med lav utløpstut	4342752	GB41638202	108	135
9 Strålesamler M24x1	4343241	GB41630131 01	80	100
10 Strålsamler M18x1 m/kuleledd f/bidetbatteri	4342713	GB41637270 01	58	73
11 Monteringspose (servant-bidébatteri), -september 2011	4343319	GB41637280 01	62	78
12 Monteringsdetaljer (servant-bidébatteri), september 2011-	4342751	GB41637282 01	56	70
13 Monteringsdetaljer (kjøkkenbatteri) u/avst.	4340713	GB41634157 01	56	70
14 SoftPex slange (M10x1-ø10) lengde 440 mm	4342633	GB41637161 02	158	198
15 SoftPex slange(M10x1-G1/2), lengde 300 mm	4342769	GB41638224 01	112	140
16 SoftPex slange (M10x1-G1/2), lengde 440 mm	4342768	GB41638220 01	112	140
17 SoftPex slange (M8x1-ø10), lengde 400 mm	4342771	GB41638199 01	112	140
18 Kobling 10xG1/2	5080093	FG032033520	18	22
19 Dusjslange G1/2xG1/2	4343804	GB41636263 00	87	109
20 Selvtstengende hånddusj	4343121	GB41633860 33	485	606
21 Hånddusjefeste	4340714	GB41637575	88	110
22 Distansekaåpe, o-ring samt glidring	4343243	GB41638218 01	51	63
23 Forhøyingsdel 50 mm	4340715	GB41632834	674	843
24 X-ringer for utløpstut	4343213	GB41633971 02	47	59
25 Tilkopl.vinkel f/oppv.m. o/benk	4343189	GB41635790 01	470	588
26 Avstengningskran kompl.f/benkebatteri, krom	4343188	GB41635762 3301	158	198
27 Oppløftsventil	4342638	GB41637450	463	579
28 Propp med o-ring -2007 05 (ø40 mm)	4343344	GB41632625 01	64	80
29 Propp m/oppløftsventil 2007 05- (ø38 mm)	4342651	GB41637453	108	135
30 Løftestang	4343055	GB41630305	94	118
31 Silventil	4342653	GB41637445	425	531
32 Propp til silpluggventil -2007 11	4340716	GB41632633 01	64	80
33 Propp til silpluggventil(ø43,5 mm) -2008 11 -2010 05		GB41637446	64	80
34 Propp til silpluggventil 2010 05-2011 01	4340718	GB41638453 01	64	80
35 Push-down ventil	4343054	GB41636575 01	332	415
36 Detaljer for slagbegrensningstut	4342754	GB41633972	46	58
37 Monteringsverktøy 13/6k	4343341	GB43000014 10	152	190
Monteringsverktøysett	4343369	GB43000021 01	345	431

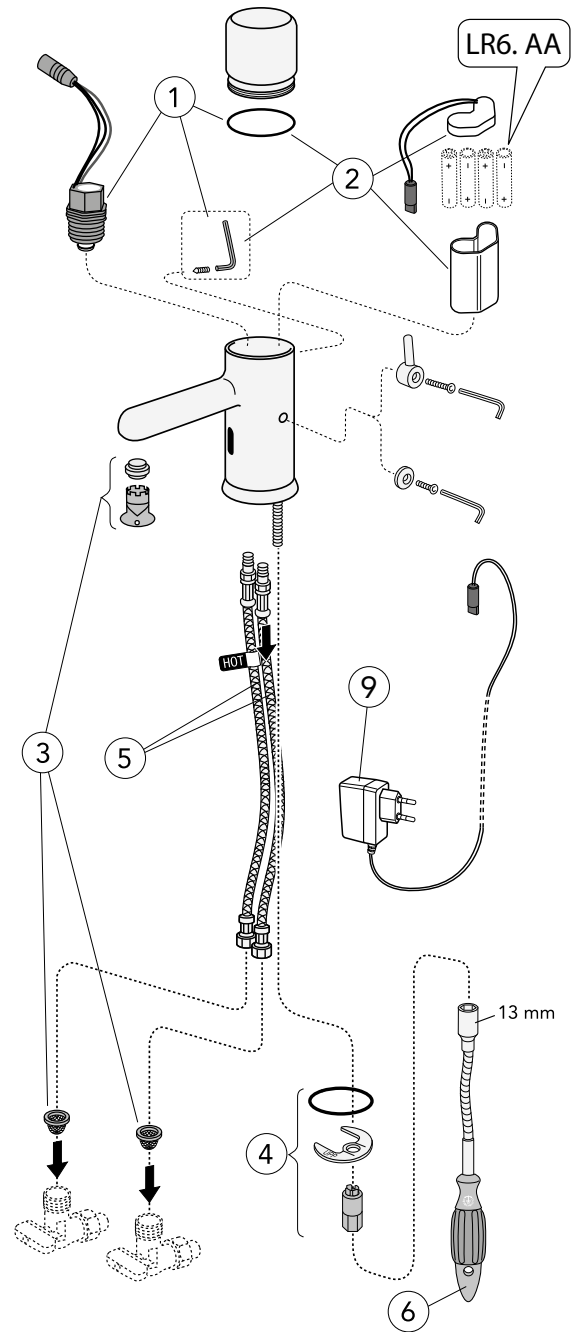
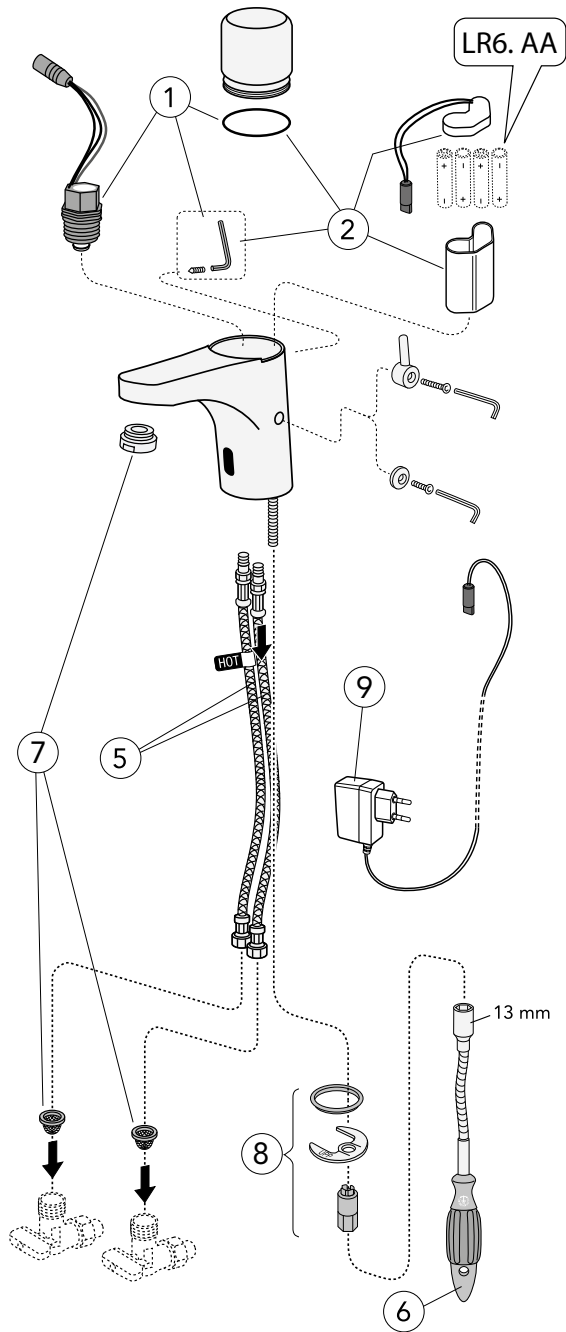


RESERVEDELER



Logic servantkran

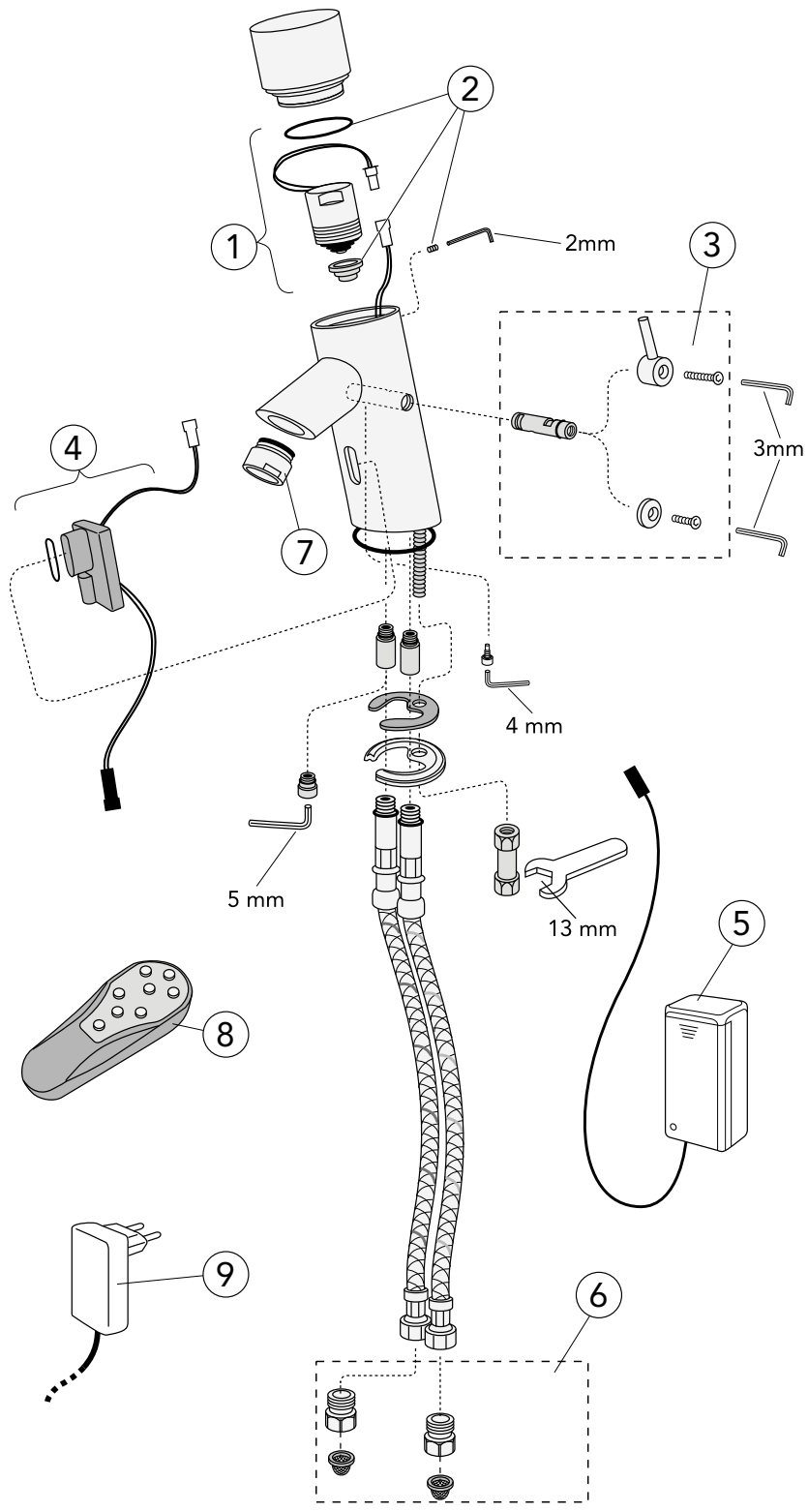
DETALJENUMMER OG PRODUKT	NRF. NR.	ART. NR.	VEIL. PRIS EKS. MVA.	VEIL. PRIS INKL. MVA.
1 Ettgrepsspak Logic	4342766	GB41638514 01	228	285
2 Dekkplugg	4342661	GB41634828 01	98	123
3 Servicepatron m/verktøy for Nautic/Logic	4343367	GB41637267 01	380	475
4 Låsering M45x1,5	4342753	GB41637261 01	109	136
5 Strålesamler, med perlator M18,5x1-B	4342767	GB41638549 01	80	100
6 Avstengningskran komplett for kjøkkenbatteri	4343188	GB41635762 3301	158	198
7 SoftPex slange (M10x1-ø10)	4342633	GB41637161 02	158	198
8 SoftPex slange (M10x1-G1/2)	4342768	GB41638220 01	112	140
9 SoftPex slange (M10x1-G1/2)	4342769	GB41638224 01	112	140
10 SoftPex slange (M8x1-ø10)	4342771	GB41638199 01	112	140
11 Kobling	50800093	FG032033520	18	22
12 Dusjslange	4343804	GB41636263 00	87	109
13 Selvstengende hånddusj	4343121	GB41633860 33	485	606
14 Hånddusjfeste	4340714	GB41637575	88	110
15 Monteringsdetaljer	4342772	GB41636457 01	56	70
16 Monteringsverktøy 13/6k	4343341	GB43000014 10	152	190
Monteringsverktøysett	4343369	GB43000021 01	345	431





Nautic/Logic servantkran, elektronisk

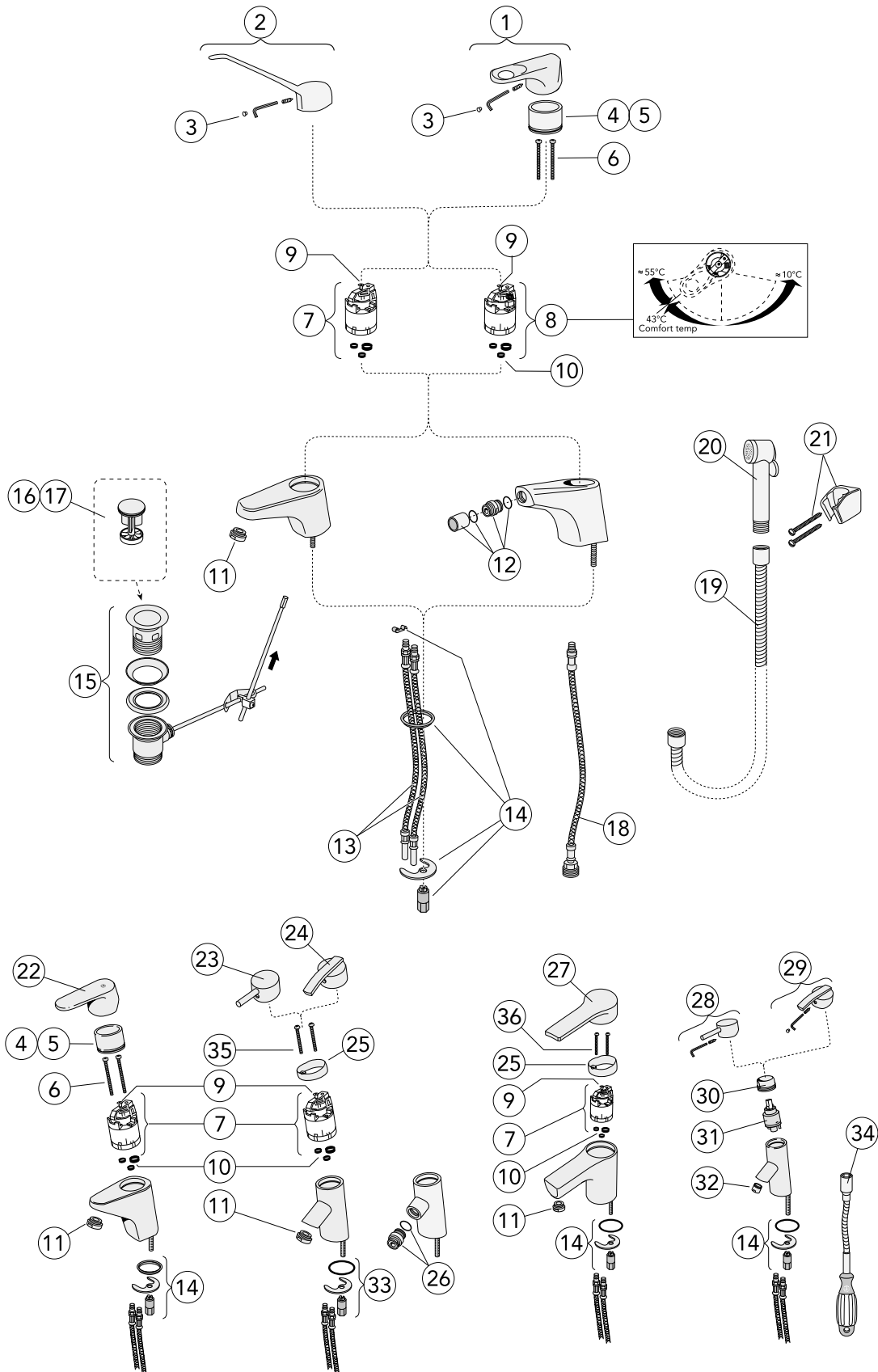
DETALJENUMMER OG PRODUKT	NRF. NR.	ART. NR.	VEIL. PRIS EKS. MVA.	VEIL. PRIS INKL. MVA.
1 Magnetventil		GB41638557 01	856	1.070
2 Batteri	4342773	GB41638560 01	300	375
3 Filter, perlator Logic		GB41638544 01	80	100
4 Monteringssats	4342772	GB41636457 01	56	70
5 SoftPex slange (M10x1-G3/8)	4342775	GB41636629 01	91	114
6 Monteringsverktøy	4343341	GB43000014 10	152	190
7 Filter, perlator Nautic		GB41638739 01	80	100
8 Monteringssats Nautic	4342751	GB41637282 01	56	70
Transformator		GB41638561	207	259
Monteringsverktøysett	4343369	GB43000021 01	345	431





Scandic servantkran, elektronisk

DETALJENUMMER OG PRODUKT	NRF. NR.	ART. NR.	VEIL. PRIS EKS. MVA.	VEIL. PRIS INKL. MVA.
1 Magnetventil		GB41637245	856	1.070
2 O-ring og membran		GB41637237 01	91	114
3 Detaljer for temperaturjustering		GB41637238 01	107	134
4 Sensor		GB41637239 01	119	149
5 Batteriskuff		GB41637240 01	300	375
6 Tilkoplingsnippel		GB41637241 01	56	70
7 Strålsamler Perlator M24x1	4343241	GB41630131 01	80	100
8 Fjernkontroll, Skandic elektronisk		GB41637242	995	1.243
9 Transformator 9 Volt Skandic electronic		GB41637244	205	256

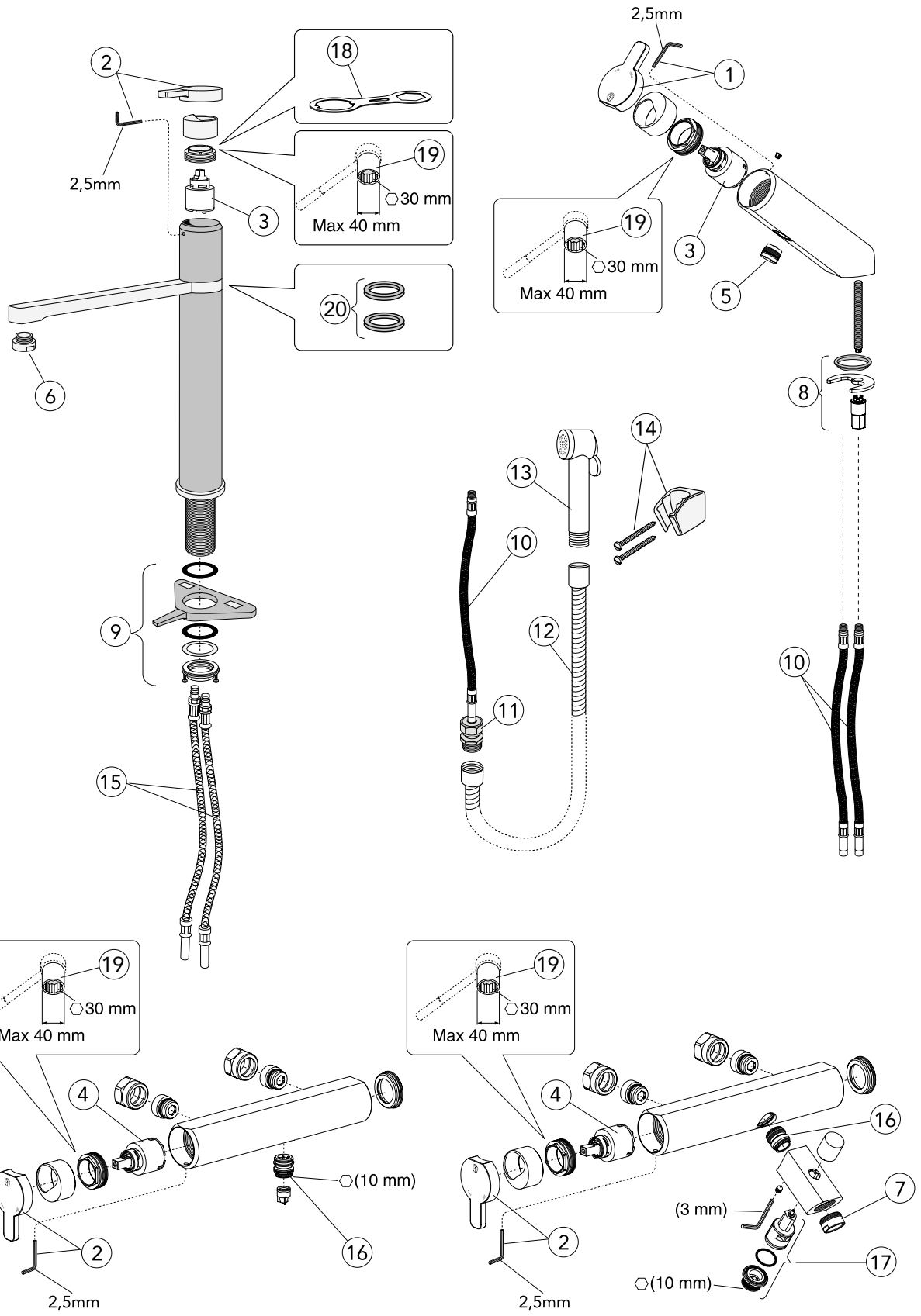


RESERVEDELER



Nordic, Skandic, ND40, Centic servant- og bidekran

DETALJENUMMER OG PRODUKT	NRF. NR.	ART. NR.	VEIL. PRIS EKS. MVA.	VEIL. PRIS INKL. MVA.
1 Ettgrepspak Nordic	4343347	GB41636617 01	158	198
2 HC Ettgrepspak Nordic	4342991	GB41635430 01	308	385
3 Dekkplugg, rød/blå merking	4342661	GB41634828 01	98	123
4 Kåpe gjenget	4343166	GB41634470 01	109	136
5 Kåpe med O-ring	4343126	GB41636326 01	112	140
6 Festeskruer for servicepatron M5x63	4343217	GB41636302 02	119	149
7 Servicepatron inkl. topplokk 634955-01, Universal	4343196	GB41633877 01	450	563
8 Servicepatron Nordic TT-funksjon	4343059	GB41635678 8701	441	551
9 Spakfeste TP 6-19		GB41636319	46	58
10 Gummipakning for servicepatron, komplett	4343211	GB41633513 01	57	71
11 Strålesamlere M24x1	4343241	GB41630131 01	80	100
12 Perlator f/bidetbatteri	4342713	GB41637270 01	58	73
13 SoftPex slange (M10x1-ø10), 440 mm	4342633	GB41637161 02	158	198
14 Monteringsdetaljer	4343319	GB41637280 01	62	78
15 Oppløftsventil u/løftestang, krom	4342638	GB41637450	463	579
16 Propp m/O-ring -2007 05	4343344	GB41632625 01	64	80
17 Propp m/oppløftsventil 2007 0-	4342651	GB41637453	108	135
18 SoftPex slang (M10x1-G1/2), 300 mm	4342769	GB41638224 01	112	140
19 Dusjslange G1/2xG1/2	4343804	GB41636263 00	87	109
20 Selvtstengende hånddusj	4343121	GB41633860 33	485	606
21 Hånddusjfeste	4340714	GB41637575	88	110
22 Ettgrepspak ND40	4343127	GB41636337 01	178	223
23 Ettgrepspak Pin Skandic 03	4346742	GB41636448 01	653	816
24 Ettgrepspak Leg Skandic 03	4346741	GB41636447 01	653	816
25 Kåpe	4342669	GB41635680 01	307	384
26 Strålesamlre/kullet M24x1	4343337	GB41632863 01	59	74
27 Ettgrepspak Centic		GB41636501 01	178	223
28 Ettgrepspak Pin mini Skandic 03	4346745	GB41636920 01	586	733
29 Ettgrepspak Leg mini Skandic 03	4346746	GB41636921 01	586	733
30 Kåpe M40x1	4343357	GB41636655 01	116	145
31 Servicepatron 35	4343358	GB41636654 01	485	606
32 Strålsamler/perlator M18x1	4343359	GB41636912 01	62	78
33 Monteringsdetaljer	4342772	GB41636457 01	56	70
34 Monteringsverktøy13/6 kant.	4343341	GB43000014 10	152	190
Monteringsverktøysett	4343369	GB43000021 01	345	431
35 Festeskruer M5x42 for Skandic 03		GB41636606 02	48	60
36 Festeskruer M4x56 for Centic		GB41635671 02	48	60
Kjedefeste	4343068	GB41634119	42	53

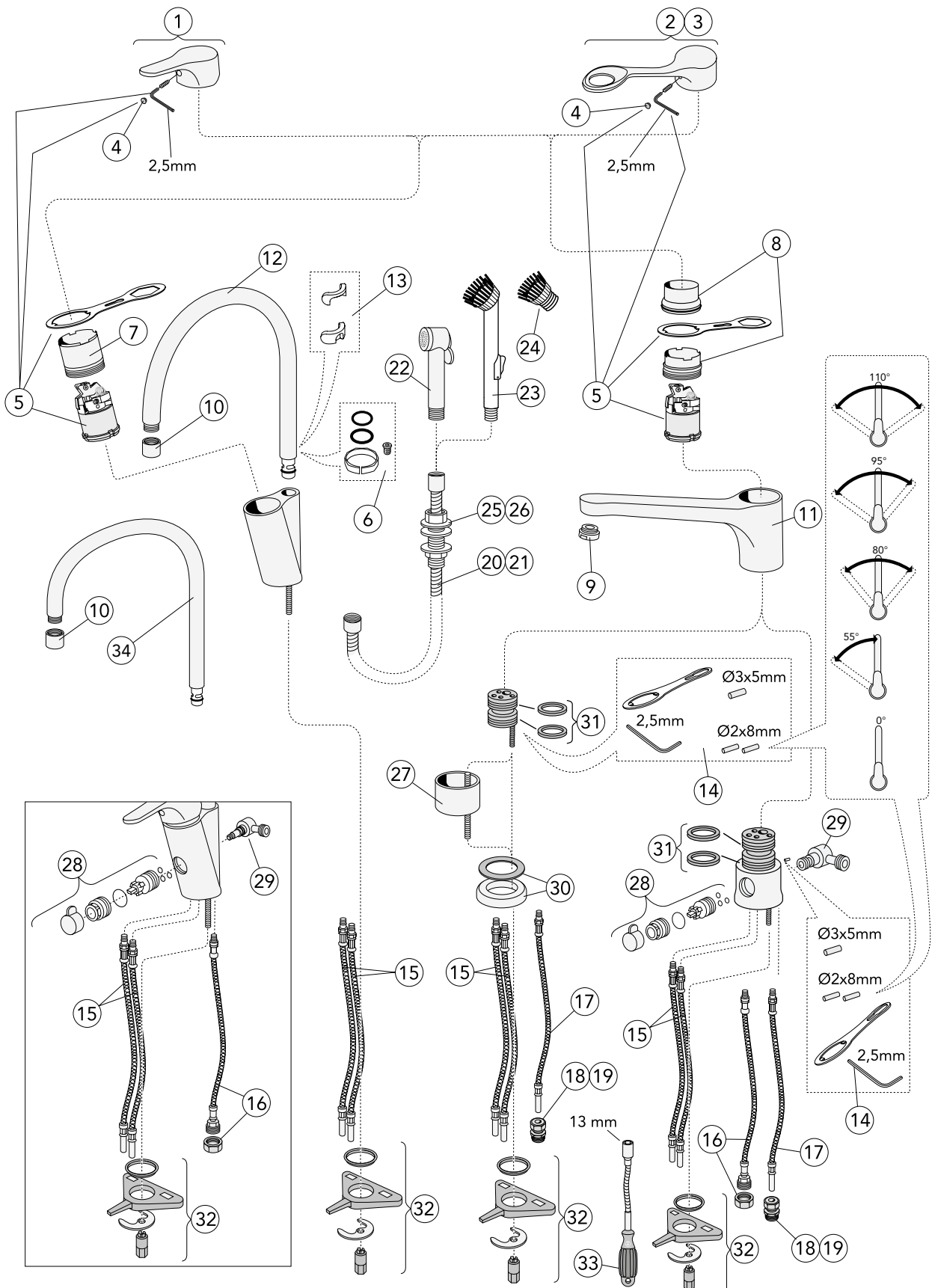


RESERVEDELER



Coloric servant-, kjøkken-, dusj- og badekar batterier

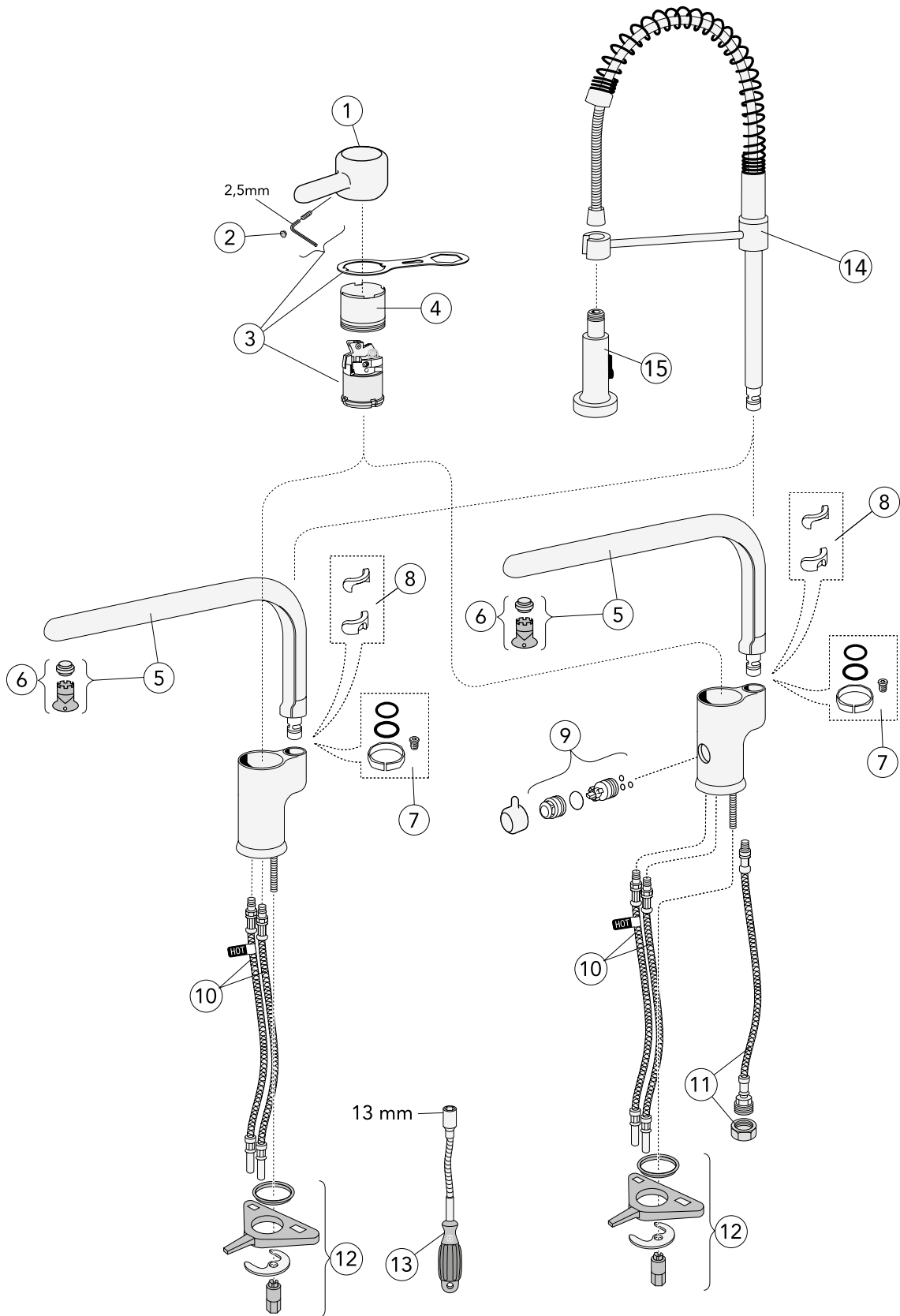
DETALJENUMMER OG PRODUKT	NRF. NR.	ART. NR.	VEIL. PRIS EKS. MVA.	VEIL. PRIS INKL. MVA.
1 Ettgrepspak servantbatterier Coloric	4342721	GB41637406	427	534
2 Ettgrepspak Kjøkken/kar/dusjblatt, Coloric	4342722	GB41637407	381	476
3 Servicepatron servant/kjøkkenbatt, Coloric	4342724	GB41637415	148	185
4 Servicepatron kar/dusjbatterier Coloric	4342719	GB41637393	166	208
5 Strålesamlere M18,5x1	4342926	GB41637418	193	241
6 Strålesamlere M24x1 "A"	4343241	GB41630131 01	80	100
7 Strålesamlere M24x1 "D"	4342717	GB41637387 01	271	339
8 Monteringsdetaljer servantbatterier	4343319	GB41637280 01	62	78
9 Monteringsdetaljer kjøkkenbatterier	4342714	GB41638358 01	56	70
10 SoftPex slange	4342718	GB41637389 02	178	223
11 Kobling 10xG1/2	5080123	FG032033520	18	22
12 Dusjslange G1/2xG1/2	4343804	GB41636263 00	87	109
13 Selvstengende hånddusj	4343121	GB41633860 33	485	606
14 Hånddusj feste	4340714	GB41637575	88	110
15 SoftPex slange	4342715	GB41638361 02	178	223
16 Tilkoblingsnippel utløp	4342723	GB41637410	114	143
17 Draomkastare	4342725	GB41637416	295	369
Monteringsverktøy 13/6k	4343341	GB43000014 10	152	190
Monteringsverktøysett	4343369	GB43000021 01	345	431





Nautic kjøkkenbatterier

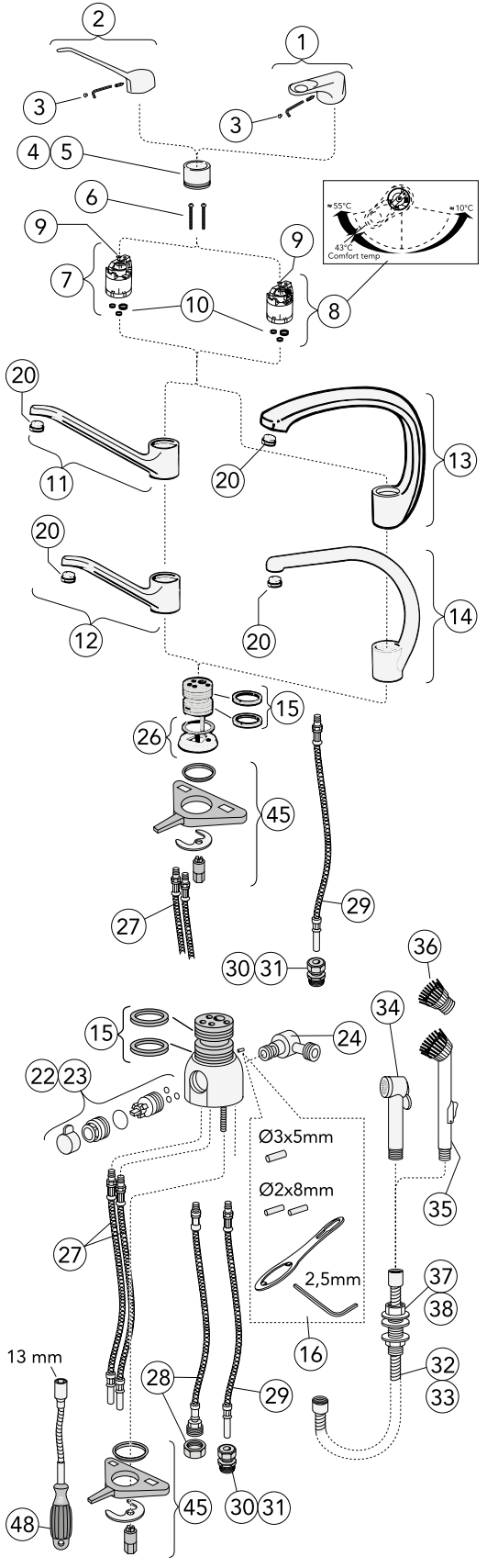
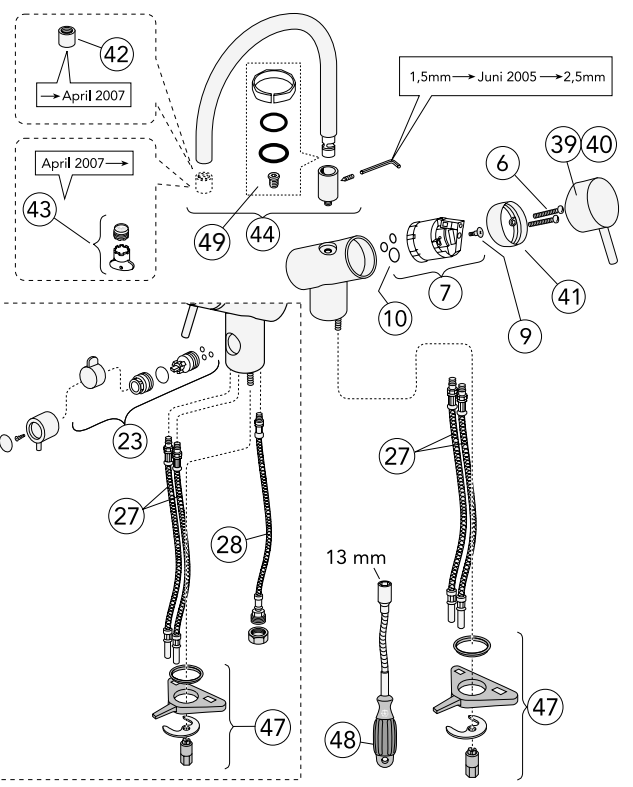
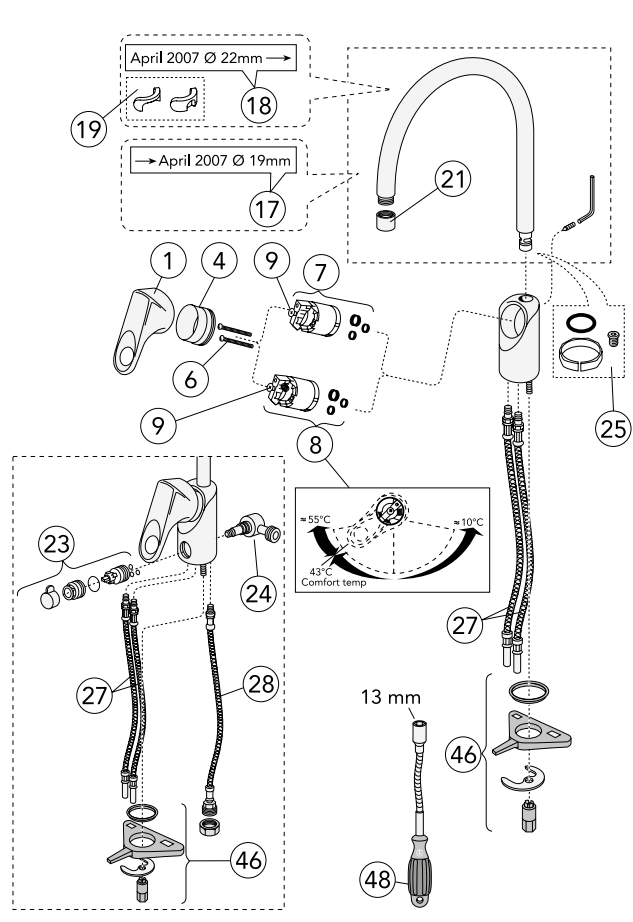
DETALJENUMMER OG PRODUKT	NRF. NR.	ART. NR.	VEIL. PRIS EKS. MVA.	VEIL. PRIS INKL. MVA.
1 Ettgrepspak Nautic	4343366	GB41637250	214	268
2 Ettgrepspak HC Nautic	4342627	GB41637360 01	308	385
3 Ettgreps HC spak Nautic (rød/blå merking)	4342735	GB41637363 01	320	400
4 Dekkplugg rød/blå merking	4342661	GB41634828 01	98	123
5 Servicepatron Nautic	4343367	GB41637267 01	380	475
6 O-ringsats	4342659	GB41637010 01	100	125
7 Låsering M45x1,5	4342753	GB41637261 01	109	136
8 Låsering kj.batt med lav utløpstut	4342752	GB41638202	108	135
9 Strålsamlere M24x1	4343241	GB41630131 01	80	100
10 Strålsamlere M22x1	4343242	GB41630129 01	80	100
11 Utløpstut		GB41638196	1.075	1.344
12 Utløpstut Nautic/Nordic -2007 04	4342776	GB41637326 0	749	936
13 Slagbegrensningsatts - utløpstut	4342716	GB41638450	85	106
14 Detaljer for slagbegrensning	4342754	GB41633972	46	58
15 SoftPex slange (M10x1-ø10)	4342633	GB41637161 02	158	198
16 SoftPex slange (M10x1-G1/2), lengde 440 mm	4342768	GB41638220 01	112	140
17 SoftPex slange (M8x1-ø10), lengde 400 mm	4342771	GB41638199 01	112	140
18 Kobling 10xG1/2, -201005	5080093	FG032033520	18	22
19 Kobling 10xG3/8, 201005-	5080086	FG032033420	14	18
20 Dusjslange G1/2xG1/2, -2010 05	4343804	GB41636263 00	87	109
21 Dusjslange G1/2xG3/8, 2010 05-	4342731	GB41638375 01	123	154
22 Selvstengende hånddusj	4343121	GB41633860 33	485	606
23 Selvstengende oppvaskbørste	4343209	GB41633861 25	568	710
24 Oppvaskbørste	4343177	GB41633858	229	286
25 Gjennomføringshylse f/sidedusj Ø 28, krom -2010 05	4343122	GB41633863 33	156	195
26 Gjennomføringshylse krom (for slange med G1/2xG3/8 ansl) 2010 05-	4342732	GB41638374 01	156	195
27 Forhøyningsdel 50mm	4340715	GB41632834	674	843
28 Avstengningskran komplett 1998 08-	4343188	GB41635762 3301	158	198
29 Tilkoblingsvinkel til benkoppvaskmaskin	4343189	GB41635790 01	470	588
30 Sokkel for benkøkkenbatteri	4343218	GB41632952	51	64
31 X-ring for utløpstut	4343213	GB41633971 02	47	59
32 Monteringsdetaljer (kjøkkenbatterier)	4340713	GB41634157	56	70
33 Monteringsverktøy 13/6kant.	4343341	GB43000014 10	152	190
Monteringsverktøysett	4343369	GB43000021 01	345	431
34 Utløpstut Nautic		GB41638474 01	343	428



RESERVEDELER

Logic kjøkkenkran

DETALJENUMMER OG PRODUKT	NRF. NR.	ART. NR.	VEIL. PRIS EKS. MVA.	VEIL. PRIS INKL. MVA.
1 Ettgrepsspak Logic	4342766	GB41638514 01	228	285
2 Dekkplugg	4342661	GB41634828 01	98	123
3 Servicepatron med verktøy for Logic og Nautic	4343367	GB41637267 01	380	475
4 Kåpe	4342753	GB41637261 01	109	136
5 Utløpstut		GB41638509 01	760	950
6 Strålesamler, M18, 5 x 1-B m/verktøy		GB41638549 01	80	100
7 O-ringsett	4342659	GB41637010 01	100	125
8 Sperrestift for svingradius	4342716	GB41638450	85	106
9 Avstengningskran komplett f/kjøkkenbatteri	4343188	GB41635762 3301	158	198
10 SoftPex slange (M10x1-ø10)	4342633	GB41637161 02	158	198
11 SoftPex slange (M10x1-G1/2)	4342768	GB41638220 01	112	140
12 Monteringsdetaljer	4340713	GB41634157 01	56	70
13 Monteringsverktøy	4343341	GB43000014 10	152	190
Monteringsverktøysett	4343369	GB43000021 01	345	431
14 Utløpstut (fjær, slange og innfestning)		GB41638753 01	1.725	2.156
15 Dusjhåndtak		GB41638754 01	642	803



RESERVEDELER



Nordic, Skandic, ND40 kjøkkenkraner

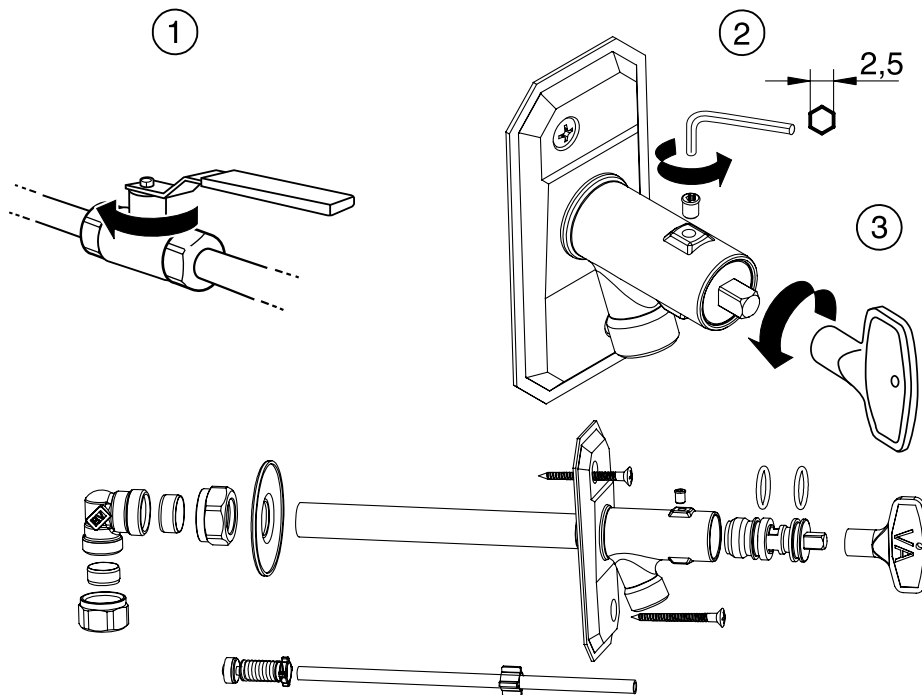
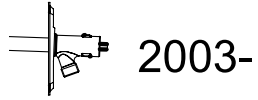
DETALJENUMMER OG PRODUKT	NRF. NR.	ART. NR.	VEIL. PRIS EKS. MVA.	VEIL. PRIS INKL. MVA.
1 Ettgrepsspak Nordic	4343347	GB41636617 01	158	198
2 Ettgrepsspak RH Nordic	4342991	GB41635430 01	308	385
3 Dekkplugg, rød/blå merking	4342661	GB41634828 01	98	123
4 Kåpe gjenget	4343166	GB41634470 01	109	136
5 Kåpe med O-ring	4343126	GB41636326 01	112	140
6 Festeskruer for servicepatron M5x40	4343216	GB41632731 02	46	58
7 Servicepatron inkl. topplokk 634955-01, Universal	4343196	GB41633877 01	450	563
8 Servicepatron Nordic TT-funksjon	4343059	GB41635678 8701	441	551
9 Spakfeste TP 6-19		GB41636319	46	58
10 Gummipakning for servicepatron, komplett	4343211	GB41633513 01	57	71
11 Utløpstut 240	4343353	GB41636246 01	1.019	1.274
12 Utløpstut 150	4342895	GB41633651	1.288	1.610
13 Utløpstut 200 , høy støpt tut	4343125	GB41634834	998	1.248
14 Utløpstut 200, ekstra høy svingbar tut f/benkebatteri	4342911	GB41634610	1.053	1.316
15 X-ringer	4343213	GB41633971 02	47	59
16 Slagbegrensningsatts	4342754	GB41633972	46	58
18 Utløpstut 200 "ø22" 2007 04-	4342776	GB41637326 0	749	936
19 Slagbegrensningsatts	4342716	GB41638450	85	106
20 Strålesamlere M24x1	4343241	GB41630131 01	80	100
21 Strålesamlere M22x1	4343242	GB41630129 01	80	100
22 Avstengningskran kompl.f/benkebatteri - før aug. 98 -1998	4343325	GB41634140 3301	107	134
23 Avstengningskran kompl.f/benkebatteri, krom 1998-	4343188	GB41635762 3301	158	198
24 Vridbar tilkl.vinkel f/oppvaskmaskin på benk 1998 08-	4343189	GB41635790 01	470	588
25 O-ringsett f/utløpstut NordicPlus fra 2005	4342659	GB41637010 01	100	125
26 Distansering, o-ring samt glidring	4343218	GB41632952 01	50	63
27 SoftPex slange, 2 stk. L=400 mm, (M10x1-ø10)	4342633	GB41637161 02	158	198
28 SoftPex slange (M10x1-G1/2), lengde 440 mm	4342768	GB41638220 01	112	140
29 SoftPex slange (M8x1-ø10), lengde 400 mm	4342771	GB41638199 01	112	140
30 Kopling 10xG1/2, -201005	5080093	FG032033520	18	22
31 Kopling 10xG3/8, 201005-	5080086	FG032033420	14	18
32 Dusjslange G1/2xG1/2, -2010 05	4343804	GB41636263 00	87	109
33 Dusjslange G1/2xG3/8, 2010 05-	4342731	GB41638375 01	123	154
34 Selvstengende hånddusj	4343121	GB41633860 33	485	606
35 Selvstengende oppvaskbørste	4343209	GB41633861 25	568	710
36 Oppvaskbørste	4343177	GB41633858	229	286
37 Gjennomføringshylse krom -2010 05	4343122	GB41633863 33	156	195
38 Gjennomføringshylse krom (for slange med G1/2xG3/8 ansl) 2010 05-	4342732	GB41638374 01	156	195
39 Ettgrepsspak Pin Skandic 03	4346742	GB41636448 01	653	816
40 Ettgrepsspak Leg Skandic 03	4346741	GB41636447 01	653	816
41 Kåpe	4342669	GB41635680 01	307	384
42 Strålesamlere -2007 05	4342675	GB41636437 01	320	400
43 Strålesamlere 2007 05-	4342676	GB41637337 01	320	400
44 Utløpstut		GB41636441 01	711	889
45 Monteringsdetaljer	4340713	GB41634157 01	56	70
46 Monteringsdetaljer		GB41637011 01	56	70
47 Monteringsdetaljer	4343175	GB41636440 01	56	70
48 Monteringsverktøy 13/6kant.	4343341	GB43000014 10	152	190
Monteringsverktøysett	4343369	GB43000021 01	345	431
Hånddusj for Skandic Island	4342677	GB41637173	421	526

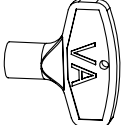
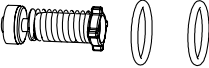

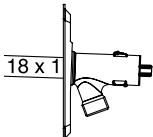

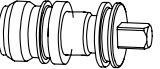
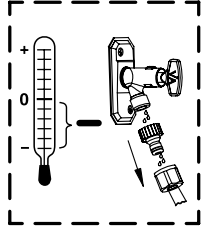
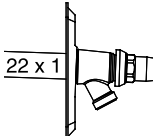
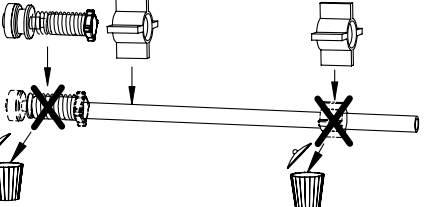
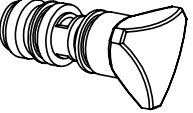




Oversikt ettgrepsspaker, dekkbrikker og servicepatroner

DETALJENUMMER OG PRODUKT	NRF. NR.	ART. NR.	VEIL. PRIS EKS. MVA.	VEIL. PRIS INKL. MVA.
1 Ettgrepsspak Logic	4342766	GB41638514 01	228	285
2 Ettgrepsspak Nautic	4343366	GB41637250	214	268
3 Ettgrepsspak HC Nautic	4342627	GB41637360 01	308	385
4 Ettgrepsspak HC Nautic (rød/blå merking)	4342735	GB41637363 01	320	400
5 Ettgrepsspak, servantbatteri Coloric	4342721	GB41637406	427	534
6 Ettgrepsspak Coloric kjøkken/dusj/badekar	4342722	GB41637407	381	476
7 Ettgrepsspak Nordic	4343347	GB41636617 01	158	198
8 Ettgrepsspak Leg Skandic 03	4342672	GB41636447 01	653	816
9 Ettgrepsspak Pin Skandic 03	4342673	GB41636448 01	653	816
10 Ettgrepsspak Leg mini Skandic 03	4342682	GB41636921 01	586	733
11 Ettgrepsspak Pin mini Skandic 03	4342683	GB41636920 01	586	733
12 Ettgrepsspak ND40	4343127	GB41636337 01	178	223
13 Ettgrepsspak Centic		GB41636501 01	178	223
15 Ettgrepsspak Arctic	4343142	GB41634621 01	202	253
16 Ettgrepsspak Skandic		GB41634810 01	391	489
17 Ettgrepsspak HC Nordic	4342991	GB41635430 01	308	385
18 Ettgrepsspak HC 125 Nordic	4343014	GB41634628 6101	391	489
19 Ettgrepsspak HC 180 Nordic	4343015	GB41634628 6201	391	489
20 Dekkplugg for undermontert ettgrepsspak	4342661	GB41634828 01	98	123
21 Dekkplugg Nordic Plus	4343348	GB41635617 01	42	53
22 Topplukk (2 ben)	4343144	GB41634680 01	100	125
23 Topplukk (3 ben)		GB41634955 01	100	125
24 Topplukk Nordic oktober 1996-	4343154	GB41635410 01	49	61
25 Servicepatron m/verktøy f/Logic og Nautic	4343367	GB41637267 01	380	475
26 Servicepatron servant-/kjøkken Coloric	4342724	GB41637415	148	185
27 Servicepatron dusj/badekar Coloric	4342719	GB41637393	166	208
28 Servicepatron Nordic, 1982-	4343196	GB41633877 01	450	563
29 Servicepatron Nordic TT	4343059	GB41635678 8701	441	551
30 Servicepatron Nordic, m/ demper, April 1992-	4343161	GB41634650 01	398	498
32 Servicepatron komplett Nordic TT	4343051	GB41636395 01	620	775
33 Servicepatron Skandic 03 mini	4343358	GB41636654 01	485	606



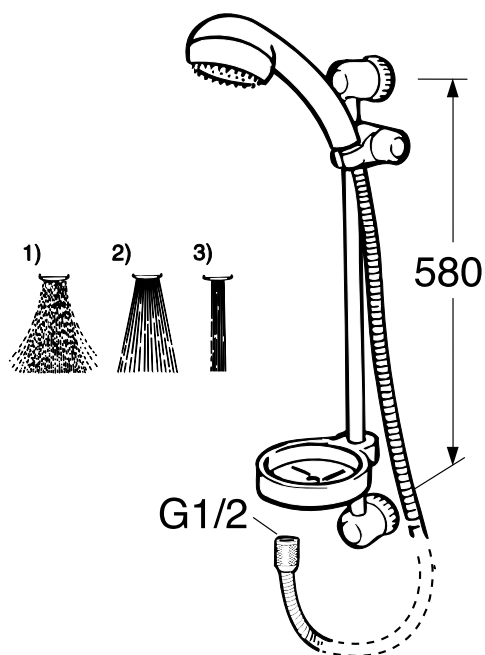
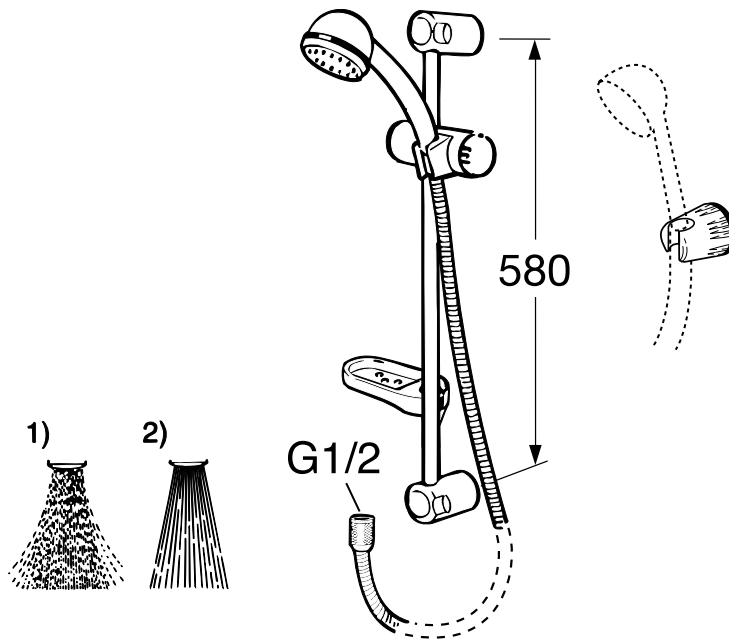
<p>FGO 64 05 60</p> 	<p>FGO 64 08 35</p> 	<p>FGO 64 08 36</p> 
<p>2003-</p>  <p>18 x 1</p>	<p>400mm: GB41 63 35 05 1000mm: GB41 63 35 06</p> 	<p>FGO 64 08 37</p>  
<p>1988 - 2003</p>  <p>22 x 1</p>		<p>FGO 64 08 41</p> 

RESERVEDELER



Utendørskran

DETALJENUMMER OG PRODUKT	NRF. NR.	ART. NR.	VEIL. PRIS EKS. MVA.	VEIL. PRIS INKL. MVA.
Nøkkel 8 mm, fra 1977	4342969	FG0640560	56	70
Komplett overdel (for nøkkel) u/dren.	4343273	FG0640548	123	154
Reserveelsssett komplett (etter 1986)	4343286	GB41633510 01	94	118
Spindelforl. 400 mm (etter 1986)	4343271	GB41633505 01	221	276
Spindelforl. 1000 mm (etter 1986)	4343272	GB41633506 01	357	446
Komplett overdel m/drenering f/101015	4343275	FG0640782	250	313
Reserveelsskrin	4343451	GB41633560	2.028	2.535
Tilbakeslagsventil Ø14 mm(f.o.m aug. 1996)	4343336	GB41634719 01	52	65
Fjærbelastet tilbakeslagsventil, ny type	4343084	FG0640835	45	56
Komplett overdel m/drenering f/nøkkel, ny type	4343085	FG0640836	250	313
Komplett overdel u/drenering f/nøkkel, ny type	4343086	FG0640837	123	154
Spindel med ratt 18 mm, krom	4342686	FG0640841	246	308



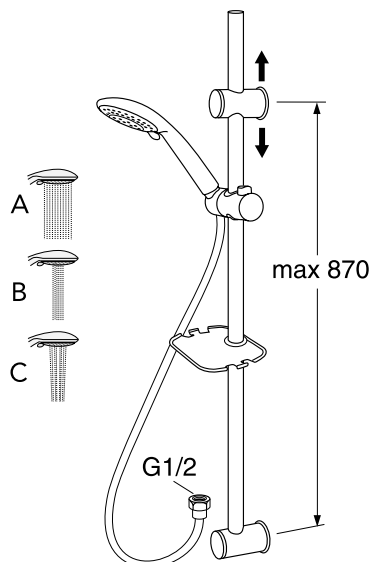
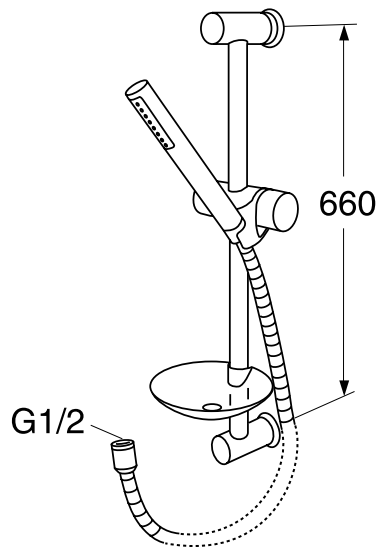
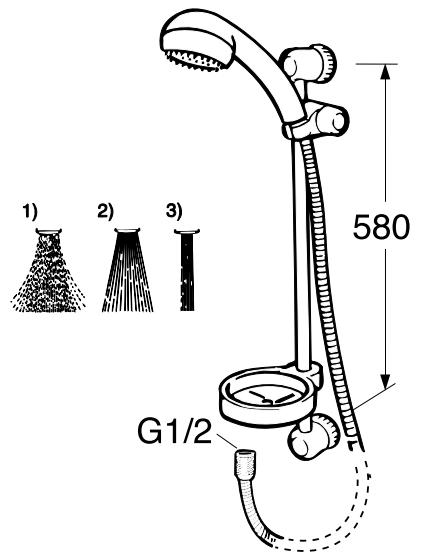


Nordic dusjsett

DETALJENUMMER OG PRODUKT	NRF. NR.	ART. NR.	VEIL. PRIS EKS. MVA.	VEIL. PRIS INKL. MVA.
Slange	4343811	GB41636266 00	123	154
Veggfeste, krom	4343801	GB41636254 00	128	160
Glider, krom	4343802	GB41636255 00	126	158
Hånddusj, krom	4343803	GB41636261 00	117	146
Hånddusjfeste vegg, krom	4340714	GB41637575	88	110
Såpekopp, transparent	43438 05	GB41636264 44	80	100

NordicPlus dusjgarnityr

DETALJENUMMER OG PRODUKT	NRF. NR.	ART. NR.	VEIL. PRIS EKS. MVA.	VEIL. PRIS INKL. MVA.
NordicPlus dusjgarnityr	4343807	GB41636256 00	153	191
Glider, krom	4343808	GB41636257 00	197	246
Hånddusj, krom	4343809	GB41636265 00	232	290
Slange 1,75 m, krom	4343811	GB41636266 00	123	154
Såpekopp, krom	4343812	GB41636264 00	119	149
Dusjomkaster f/dusjsett i off. miljø	4342734	GB41637320	566	708



**Atlantic dusjgarnityr**

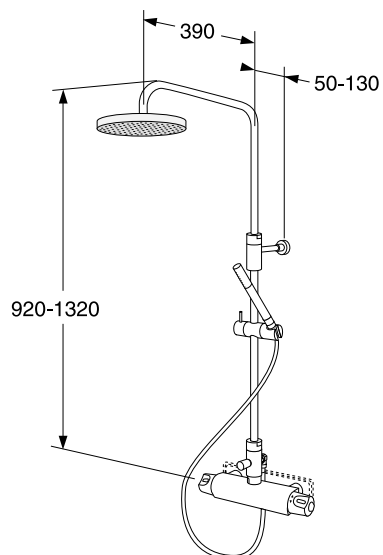
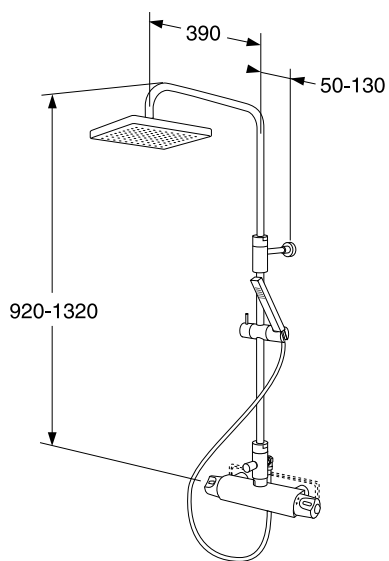
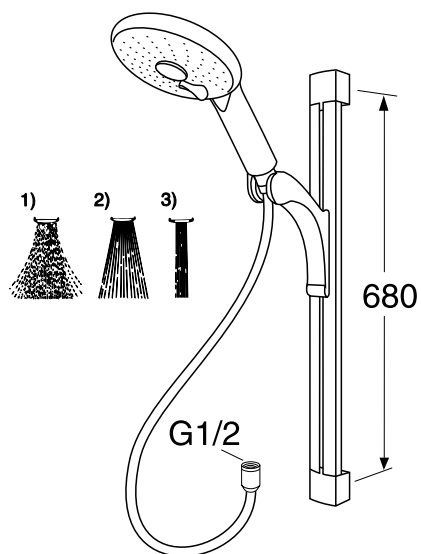
DETALJENUMMER OG PRODUKT	NRF. NR.	ART. NR.	VEIL. PRIS EKS. MVA.	VEIL. PRIS INKL. MVA.
Slange	4343811	GB41636266 00	123	154
Glider	4342756	GB41638726 01	142	178
Veggfeste	4342759	GB41638727 02	155	194
Såpekopp	4342761	GB41638728 01	149	186

Skandic 03 dusjgarnityr

DETALJENUMMER OG PRODUKT	NRF. NR.	ART. NR.	VEIL. PRIS EKS. MVA.	VEIL. PRIS INKL. MVA.
Hånddusj, krom	4342687	GB41636596 00	426	533
Såpekopp, transparent	4342688	GB41636597 44	106	133
Veggfeste, krom (2 stk)	4342689	GB41636598 00	871	1.089
Glider, krom	4342691	GB41636599 00	1.057	1.321
Tilbehør				
Hånddusjoppheng f/feste på batterikobling, krom	4343826	GB41634784 00	86	108

Dusjsett 1

DETALJENUMMER OG PRODUKT	NRF. NR.	ART. NR.	VEIL. PRIS EKS. MVA.	VEIL. PRIS INKL. MVA.
Hånddusj	4342757	GB41638725 01	232	290
Dusjslange	4343811	GB41636266 00	123	154
Glider	4342756	GB41638726 01	142	178
Veggfeste	4342759	GB41638727 02	155	194
Såpekopp	4342761	GB41638728 01	149	186





Coloric dusjsett

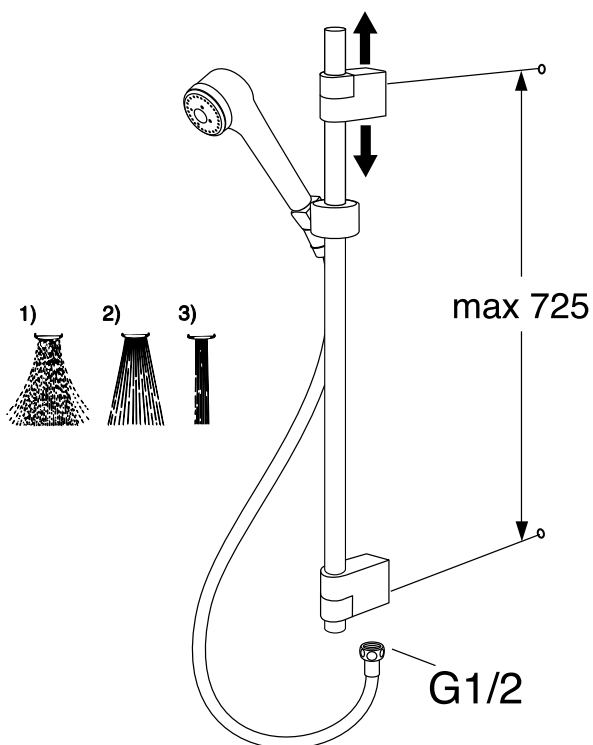
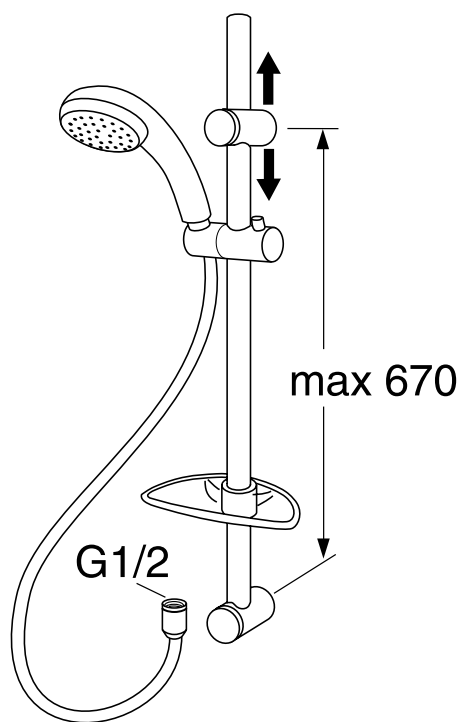
DETALJENUMMER OG PRODUKT	NRF. NR.	ART. NR.	VEIL. PRIS EKS. MVA.	VEIL. PRIS INKL. MVA.
Dusjslange	4343811	GB41636266 00	123	154
Hånddusj	4342762	GB41637562	450	563

G1 dusjsett

DETALJENUMMER OG PRODUKT	NRF. NR.	ART. NR.	VEIL. PRIS EKS. MVA.	VEIL. PRIS INKL. MVA.
Hånddusj G1	4342936	GB41638467	211	264
Slange G1/G2	4343811	GB41636266 00	123	154
Kit for sidemontering	4342933	GB41638464	316	395
Veggstag G1/G2	4342935	GB41638466	156	195
Omkaster	4342934	GB41638465	285	356
Glider G1/G2	4342941	GB41638472	128	160
Takdusj G1	4342938	GB41638469	710	888
Vinkel G1/G2		GB41637319	470	587
Pakninger G1/G2		GB41638589	45	56

G2 dusjsett

DETALJENUMMER OG PRODUKT	NRF. NR.	ART. NR.	VEIL. PRIS EKS. MVA.	VEIL. PRIS INKL. MVA.
Hånddusj G2	4342937	GB41638468	203	254
Slange G1/G2	4343811	GB41636266 00	123	154
Kit for sidemontering	4342933	GB41638464	316	395
Veggstag G1/G2	4342935	GB41638466	156	195
Omkaster	4342934	GB41638465	285	356
Glider G1/G2	4342941	GB41638472	128	160
Takdusj G2	4342939	GB41638470	592	740
Vinkel G1/G2		GB41637319	470	587





Nautic I dusjsett

DETALJENUMMER OG PRODUKT	NRF. NR.	ART. NR.	VEIL. PRIS EKS. MVA.	VEIL. PRIS INKL. MVA.
Håndduj	4342763	GB41637560	232	290
Stang/glider/feste/såpekopp	4342706	GB41637577	457	571
Glider	4342944	GB41637584 01	238	298

Nautic II dusjsett

DETALJENUMMER OG PRODUKT	NRF. NR.	ART. NR.	VEIL. PRIS EKS. MVA.	VEIL. PRIS INKL. MVA.
Dusjslange	4342764	GB41637564	232	290
Glider, såpekopp, stang	4342765	GB41637571	457	572
Håndduj		GB41637561	457	572



RETNINGSLINJER FOR KUNDEREKLAMASJONER VILLEROY & BOCH NORGE AS

Av det nedenstående vil det fremgå hvilke retningslinjer som skal følges ved ulike reklamasjoner. Vi ber Dem spesielt påse at ingen varer returneres til Villeroy & Boch Norge AS før selskapet har avgitt sin uttalelse. På denne måten vil reklamasjonen få hurtigere og smidigere behandling.

A. Feil eller uoverensstemmelser som er oppstått i forbindelse med fakturering eller ekspedert kvantum.

Definisjon:

Kjøperen har mottatt riktig type varer, men feil er oppstått i faktureringen (f.eks. pris, avgift, utregning etc.) eller det mottatte kvantum stemmer ikke med pakkseddel/faktura.

Behandling:

Kjøperen må underrette Villeroy & Boch Norge AS om feilen. Villeroy & Boch Norge AS vil så raskt som mulig, foreta de nødvendige korrigeringer av fakturaen/levert kvantum. Kontakt Villeroy & Boch Norge AS ordrekontor.

B. Mottagelse av feil type vare.

Definisjon:

Det foreligger ikke noe kvalitetsproblem, men feil type varer er mottatt av kjøperen.

Alternativ kan være at:

1. Ordrebekreftelse ikke er kontrollert mot bestilling og avvik/feil har oppstått.
2. Kjøperen har bestilt feil vare
3. Villeroy & Boch Norge AS har levert feil type vare.

Behandling:

1. Dersom ordrebekreftelse ikke er kontrollert mot bestilling:
Ordrebekreftelse fra Villeroy & Boch Norge AS må umiddelbart kontrolleres mot bestilling slik at evt. avvik/feil kan bli korrigert. Hvis så ikke blir gjort og feil oppstår, må dette anses som feilbestilt og det vil bli fratrukket 40% i evt. returomkostninger.
2. Dersom Kjøperen har bestilt feil type varer:
 - a) Returanmodning må innkomme til Villeroy & Boch Norge AS innen 20 dager etter mottagelsen av varene.
 - b) Retur godkjennes kun for standard lagervare som normalt føres av Villeroy & Boch Norge AS. Kun komplette varer kan godkjennes. En vare som er spesialtilvirket for en kjøper eller som av andre grunner ikke kan betraktes som standard lagervare, godkjennes normalt ikke for retur. Kvalitetsreklamasjoner er unntatt fra denne regel.



RETNINGSLINJER FOR KUNDEREKLAMASJONER VILLEROY & BOCH NORGE AS

- c) Varene må være innpakket i originalemballasjen og være tilgjengelig for eventuell inspeksjon. Bare fullt salgbare varer godkjennes for retur.
 - d) Hvis varene godkjennes for retur, må kjøperen returnere varene innen 10 dager etter at han har mottatt godkjennelse på retur.
 - e) Retur av varer kan kun finne sted når godkjennelse fra Villeroy & Boch Norge AS foreligger. Returomkostninger fratrekkes med 40% i kreditnota. Fraktomkostninger belastes kjøper.
3. Villeroy & Boch Norge AS har levert feil type varer:
- a) Kjøperen må sende meddelelse om feilen innen 15 dager etter mottagelsen av varene.
 - b) Varene må være pakket i original emballasje, og være i salgbar stand.
 - c) Vi ber om at retur av varen ikke skjer før svar fra Villeroy & Boch Norge AS foreligger. Kontakt Villeroy & Boch Norge AS' ordrekontor.

NB! Returpapirer skal alltid inneholde riktig NRF-nr./art.nr., kundens bestillingsnummer, kundens og Villeroy & Boch Norge AS' returnr. samt årsak til retur. Dette er viktig.

Hvis returpapirer mangler noen av disse opplysningene, blir varen returnert til kundens adresse på dennes transportregning uten forvarsel.

C. Mottagelse av beskadigede varer.

Definisjon:

Ved mottagelse av varene oppdager kjøperen at disse er beskadiget.

1. NB! Når det gjelder transportskade forårsaket av vår transportør, skal fraktbrev med under skrift av sjåfør på bil der varen ble skadet alltid følge med som vedlegg til krav om erstatning eller kreditt, samt kundens bestillingsnummer.
2. Meddelelse om skaden blir sendt straks etter mottagelse av varene. Reklamasjoner som blir inngitt mer enn 15 dager etter levering, kan under ingen omstendigheter aksepteres.
3. Beskadigede varer inklusive emballasje må være tilgjengelig for destruksjon av representant fra Villeroy & Boch Norge AS.
4. Varene kan ikke returneres eller kasseres før godkjennelse er innhentet fra Villeroy & Boch Norge AS.



RETNINGSLINJER FOR KUNDEREKLAMASJONER VILLEROY & BOCH NORGE AS

D. Kvalitetsreklamasjoner.

Definisjon:

Kjøperen meddeler Villeroy & Boch Norge AS at han har kvalitetsproblemer med et produkt.

Behandling:

Kjøperen må umiddelbart underrette Villeroy & Boch Norge AS om kvalitetsproblemene.

Reklamasjonen må i alle tilfelle tydelig spesifisere mangelens art og omfang. Det må også oppgis for hvilket formål produktet er anskaffet. En prøve på produktet som er gjenstand for klage - skal om mulig medfølge den skriftlige reklamasjonen. Kjøperen må heller ikke i dette tilfellet returnere eller kassere varer før Villeroy & Boch Norge AS har gitt instruks om dette. Når en teknisk analyse av det defekte produktet er nødvendig, må denne utføres av en kvalifisert person. I enkelte tilfelle vil dette si at produktet må oversendes Villeroy & Boch Norge AS. NB! Gustavsberg (Vårgårda) og Dornbracht-armaturprodukter skal alltid returneres Villeroy & Boch Norge AS.

Villeroy & Boch Norge AS vil bestrebe seg på å behandle reklamasjoner så raskt som mulig. Hvis reklamasjonen godkjennes, vil Villeroy & Boch Norge AS kreditere kjøperen for det returnerte kvantum til opprinnelig verdi. Vi ber Dem spesielt legge merke til at Villeroy & Boch Norge AS kun forplikter seg til å erstatte det kvantum som har vist seg beheftet med feil. Villeroy & Boch Norge AS er ikke ansvarlig for noen som helst beskadigelse, tap eller skade, direkte eller indirekte, som følge av feil bruk av produktet.

NB!

Ved reklamasjon som skyldes produktfeil og mangler påført av Villeroy & Boch Norge AS, vennligst ta kontakt med serviceansvarlig hos Villeroy & Boch Norge AS, pr. telefon 67 97 82 50 eller 67 97 82 55 (direkte), pr. e-post dagfinn.braathen@gustavsberg.com eller pr. telefaks 67 97 16 57, eller distriktsrepresentant.

Faktura for utført reklamasjonsarbeid/produktreklamasjon på et Gustavsberg/Villeroy & Boch-produkt skal være merket med et nummer oppgitt av serviceansvarlig hos Villeroy & Boch Norge AS, samt kundens returnnummer.

NB!

Arbeid som skal gjøres ved reklamasjon må alltid godkjennes av serviceansvarlig i Villeroy & Boch Norge AS, Dagfinn Bråthen tlf.: 67 97 82 55/419 26 549.

E-post: dagfinn.brathen@gustavsberg.com. Eller distrikstansvarlig.

Det utarbeides en CRM på arbeidet som sendes til den som utfører arbeidet.

Kopi av CRM legges ved arbeids

SMARTE SYMBOLER FOR SMARTE LØSNINGER

STILLE PÅFYLLING OG TØRT



DEN HELEDEKKENDE SISTERNEN SKJULER EN SEPARAT INNERTANK. DETTE VIRKER LYDDEPENDE OG FORHINDRER KONDENS. "SÅ STØV IKKE FÅR FESTE."

INGEN SMUSSFELLER



PÅ ALLE NAUTIC KLOSETTER MED SYNLIG SISTERNE ER SKJØTEN MELLOM SKÅL OG SISTERNE FLYTTET OPP. DEN GLATTE PORSELENSKAPPEN HINDRER AT SMUSS SAMLER SEG OG LETTER RENGJØRINGEN.

CERAMICPLUS = C+



MANGE AV PRODUKTENE VÅRE KAN LEVERES MED OVERFLATEBEHANDLINGEN C+. DEN GIR PORSELENET EN SMUSSAVVISENDE OVERFLATE SOM HINDRER KALK OG SMUSS I Å FESTE SEG. C+ ER OGSÅ BRA FOR MILJØET. ETTERSOM DEN GJØR AT DU KLARER DEG MED MINDRE OG MILDERE VASKEMIDDEL VED RENGJØRING.

QUICK RELEASE



MED QUICK RELEASE KAN DU LØFTE AV TOALETSETET MED ET ENKELT HÅNDGREP. UTEN Å MÅTTE BRUKE VERKTØY. DERMED KAN DU RENGJØRE SETET OG KLOSETTET HVER FOR SEG. NOE SOM ER BÅDE ENKLERE OG MER HYGIENISK.

SOFT CLOSE



HARDE, EKSKLUSIVE TOALETSETER HAR TIDLIGERE VÆRT FORBUNDET MED HØYT LYDNIVÅ NÅR DE LEGGES NED. SOFT CLOSE-FUNKSJONEN HAR LØST DETTE PROBLEMET VED HJELP AV EN DEMPER SOM ER INNEBYGD I SETET OG GJØR AT DET LEGGES NED MYKT OG LYDLØST. DEMPEREN HAR INGEN DIREKTE KONTAKT MED PORSELENET. NOE SOM GJØR RENGJØRINGEN ENKLERE OG SETET MER HYGIENISK.

HYGIENIC FLUSH



SMARTERE SPYLING SOM GIR BEDRE HYGIENE OG FORENKLER RENHOLDET. DET INNOVATIVE DESIGNET MED ÅPEN SPYLEKANT OG GLATTE OVERFLATER. ELIMINERER ALLE EVENTUELLE SMUSSFELLER. HYGIENIC FLUSH MINIMERER BEHOVET FOR STERKE RENGJØRINGSMIDLER.

2/4 LITERS SPYLING



NOEN AV VÅRE KLOSETTER KAN BESTILLES MED LAV SPYLEKNAPP SOM ER INNSTILT PÅ EN LAVERE SPYLEMENGD. 2/4 LITER. DETTE SPARER BÅDE VANN OG MILJØ.

M.O.D / URINERINGSAVSTAND



KLOSETTETS FREMRE KANT ER SPESIELT UTFORMET FOR Å GI EKSTRA AVSTAND VED SITTENDE URINERING. DEN ØKTE AVSTANDEN HINDRER SØL OG UHYGIENISK BERØRING AV PORSELENET. SMART PRODUKTUTVIKLING SOM GIR BEDRE HYGIENE OG ØKT KOMFORT.

M.O.D. = MALE ORGAN DISTANCE

VIPP-IN



UNDERKANTEN PÅ DUSJHJØRNET, DER DØREN MØTER GULVPROFILLEN, ER VANLIGVIS VANSKELIG Å HOLDE REN. MED VIPP-IN-FUNKSJONEN ER DET ENKELT Å LØSNE DUSJDØRENE FRA GULVPROFILLEN FOR MER EFFEKTIV RENGJØRING OG BEDRE HYGIENE.

HENGSLER MED HEVE- OG SENKEMEKANISME



HENGSLER MED HEVE- OG SENKEMEKANISME ER EN SMART DETALJ SOM HEVER DUSJDØREN 5 MM HVER GANG DU ÅPNER OG LUKKER DEN. DERMED REDUSERES SLITASJE PÅ GULV OG DUSJDØREN TIL ET MINIMUM. EN PRAKTISK FUNKSJON SOM GIR EN EKSKLUSIV, LUKSURIØS FØLELSE.

CLEAR GLASS



DUSJVEGGEN UTSETTES STADIG FOR VANN, SÅPE, OLJER, SJAMPO OG KALK. DERFOR ER ALLE DUSJENE FRA GUSTAVSBERG UTSTYRT MED CLEAR GLASS. EN BESKYTTENDE OVERFLATE SOM FORENKLER RENGJØRINGEN OG REDUSERER BEHOVET FOR VASKEMIDLER.

MØBLER MED SOFT CLOSE



AKUSTIKKEN PÅ ET BADEROM KAN FØRE TIL AT PLUTSELIGE, HØYE LYDER OPPLÈVES SOM SÆRLIG FORSTYRRENDE. MED SOFT CLOSE STENGES SKAPDØRER OG SKUFFER MYKT OG LYDLØST.

ECO-TAP / ENERGISPARING



EN REVOLUSJONERENDE ENERGIBESPARENDE FUNKSJON SOM KAN REDUSERE FORBRUKET MED 50 PROSENT. DEN ENKLE LØSNINGEN LIGGER I AT SPAKEN AKTIVT MÅ FØRES HELT UT TIL VENSTRE FOR AT VANNET SKAL OPPNÅ MAKSIMUMSTEMPERATUR. NÅR DU SLIPPER SPAKEN, GÅR DEN TILBAKE TIL DET FORHÅNDSINNSTILTE KOMFORTTRINNET MED EN TEMPERATUR PÅ OMKRING 38 TIL 40 GRADER. KOMFORTTEMPERATUREN ER FULLSTENDIG REGULERBAR FOR INDIVIDUELL TILPASNING.

ECO-TAP / VANNSPARING



BLANDEBATTERIET HJELPER DEG Å UNNGÅ Å BRUKE MER VANN ENN NØDVENDIG. NORMALSTILLINGEN GIR EN FORHÅNDSINNSTILT KOMFORTGJENNOMSTRØMNING SOM ER TILSTREKkelig TIL FOR EKSEMPEL OPPVASK OG VASK AV HENDER. FULL VANNGJENNOMSTRØMNING OPPNÅS VED Å LØFTE SPAKEN TIL DEN ØVERSTE STILLINGEN. NÅR DU SLIPPER SPAKEN, GÅR DEN AUTOMATISK TILBAKE TIL KOMFORTGJENNOMSTRØMNINGEN. FUNKSJONEN FOR GJENNOMSTRØMNING ER FULLSTENDIG REGULERBAR FOR INDIVIDUELL TILPASNING.

ECO-START



ET ENERGIBESPARENDE BLANDEBATTERI SOM STARTER PÅ EN TEMPERATUR PÅ 17 GRADER I NORMALSTILLING (SPAKEN RETT FREM). NOE SOM GJØR AT DU SPARER BÅDE ENERGI OG PENGER.

BERØRINGSFRITT BLANDEBATTERI



DEN SMARTE SENSORTEKNOLOGIEN HJELPER DEG Å SPARE VANN OG ENERGI HELT AUTOMATISK. BLANDEBATTERIET ÅPNER AUTOMATISK NÅR DU HOLDER HENDENE I RIKTIG POSISJON, OG STENGES SÅ SNART DU FJERNER DEM. VED RENGJØRING HOLDER DU FOR FØLERØYET. SÅ DEAKTIVERES BLANDEBATTERIET MIDLERTIDIG. DRIVES AV STANDARD-BATTERI ELLER TRANSFORMATOR.

JEVNT TRYKK



TERMOSTATBATTERIERNE HAR INNEBYGD AUTOMATISK SKÅLDINGSBESKYTTELSE OG TEMPERATURFØLER SAMT TYPEGODKJENTE TILBAKESLAGSVENTILER. DERFOR REAGERER DE RASKT PÅ DE TRYKK- OG TEMPERATURFORANDRINGENE SOM KAN OPPSTÅ I VANNET, OG JEVNER DEM UT.

ANTIBAKTERIELL FARGE



ALLE FARGELAKKERTER SPAKER OG VRIDERE PÅ BLANDEBATTERIERNE I LOGIC-SERIEN HAR EN ANTIBAKTERIELL OVERFLATEBEHANDLING SOM MOTVIRKER SPREDNING AV BAKTERIER (F. EK. PNEUMOKOKKER OG MULTIRESISTENTE BAKTERIER), VIRUS OG SOPP. OVERFLATEBEHANDLINGEN HAR EN LANGVARIG OG DOKUMENTERT EFFEKT PÅ MINST FEM ÅR.

SELVREPARERENDE FARGE



MINDRE RIPER SOM OPPSTÅR PÅ FARGELAKKERTER SPAKER OG VRIDERE PÅ BLANDEBATTERIERNE I LOGIC-SERIEN. FORSVINNER AV SEG SELV TAKKET VÆRE DE UNIKE, SELVREPARERENDE EGENSKAPENE. DEN LAKKERT OVERFLATEBEHANDLINGEN GIR BLANDEBATTERIET LENGRE LEVETID OG REDUSERER RISIKOEN FOR SPREDNING AV BAKTERIER.

SAFE TOUCH



SAMTLIGE TERMOSTATBATTERIER FRA GUSTAVSBERG HAR EN SAFE TOUCH FUNKSJON. DETTE INNEBÆRER AT BLANDEBATTERIERNE ER KONSTRURERT SÅ VARMVANNET LEDES LANGS BLANDEBATTERIETS BAKSIDE. DETTE MINIMERER VARMEN PÅ TERMOSTATENS FRAMSIDE, OG MINSKER RISIKOEN FOR Å BRENNER SEG.

BLYFRITT



BLANDEBATTERIERNE ER PRODUSERT I ET MATERIALE SOM GIR MINDRE ENN 0,1% BLY AV TOTALVEKTEN. MILJØSMARTE BLANDEBATTERIER SOM OPPFYLLER TØFFE KRAV NÅR DET GJELDER FOREKOMST AV BLY. BLANDEBATTERIERNE ER DISKRET LASERMERKET MED SYMBOLET PÅ BAKSIDEN FOR SPORBARHET.

GLAZEPLUS



BADEKARENE VÅRE KAN LEVERES MED EN EKSTRA OVERFLATEBEHANDLING SOM VI KALLER GLAZEPLUS. EN KRYSTALLKLAR POLYMERFILM SOM BESKYTTER OVERFLATEN PÅ BADEKARET MOT SMUSS OG KALKAVLEIRINGER. NOE SOM FORENKLER RENGJØRINGEN OG REDUSERER BEHOVET FOR VASKEMIDLER.

ANTISKLI



BADEKARET KAN LEVERES MED EN ANTISKLIBEHANDLING DER KVARTSSAND ER BRENT INN I EMALJEN I ET ESTETISK, NØYTRALT MØNSTER. OVERFLATEN REDUSERER RISIKOEN FOR FALLULYKKER VED INN- OG UTSTIGNING. DEN ER Plassert I FOTENDEN AV BADEKARET. SLIK AT BADEOPPLEVELSEN IKKE PÅVIRKES NEGATIVT.

STØTTEHÅNDTAK



BADEKARET KAN BESTILLES MED EGNE STØTTEHÅNDTAK PÅ BADEKARKANTEN. SOM FORENKLER OG ØKER SIKKERHETEN VED INN- OG UTSTIGNING.





A MEMBER OF THE
VILLEROY & BOCH GROUP

Villeroy & Boch Norge A/S
Luhrtoppen 2, 1470 Lørenskog
Tlf. 67 97 82 50 · Faks 67 97 16 57
www.gustavsberg.no · info.norway@gustavsberg.com